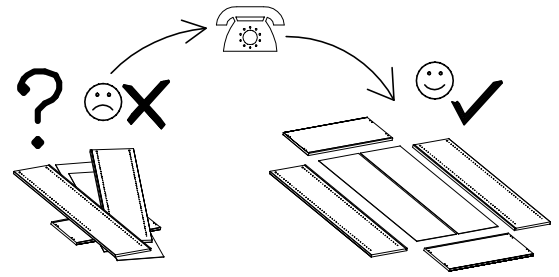
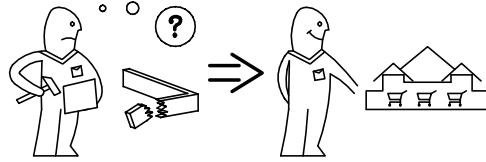
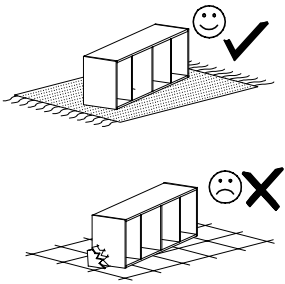




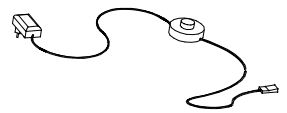
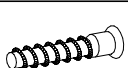




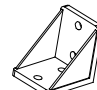
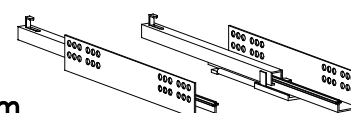
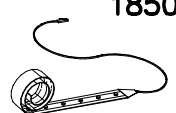


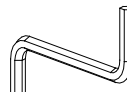


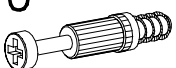



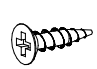
nr	L[mm]	B[mm]	T[mm]	Menge	Colli
1	1900	396	16	1	1/7
2	1900	396	16	1	1/7
3	396	396	16	1	2/7
4	396	396	16	1	2/7
5	245	376	16	1	2/7
6	1867	376	16	1	2/7

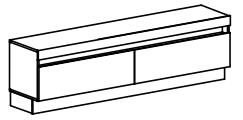
nr	L[mm]	B[mm]	T[mm]	Menge	Colli
7	1867	135	16	1	1/7
8	296	135	16	1	2/7
9	1902	80	16	1	1/7
10	1898	120	16	1	1/7
11	316	120	16	3	6/7
12	1879	266	3	1	1/7

nr	L[mm]	B[mm]	T[mm]	Menge	Colli
13	945	285	16	2	2/7
14	300	140	12	2	2/7
15	300	140	12	2	2/7
16	877	126	16	2	2/7
17	887	306	3	2	1/7

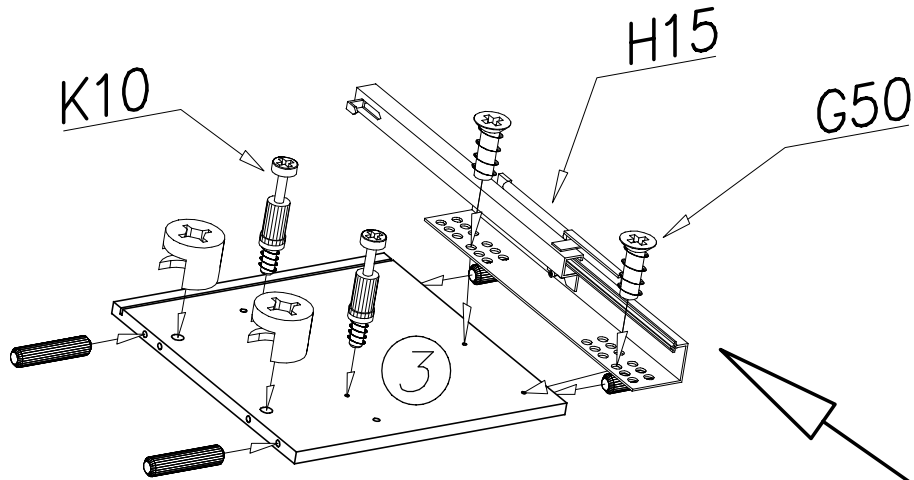
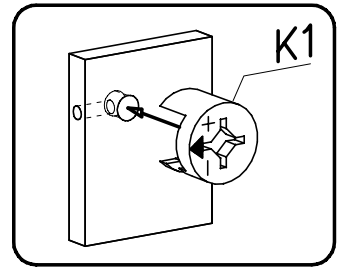
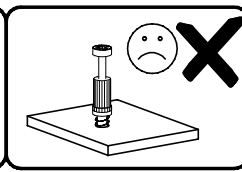
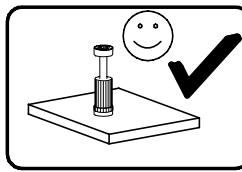
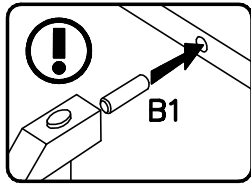


Colli 7/7

		G52  6x20 x4	I29  8mm x4	W10  1850mm
A6  ø7x40 x8	K4  ø12x10 x4	W1  x1	G10  6x13 x4	
F15  x26	F12  x6	H15  300mm x2		x1 
K1  ø15x12 x10	I7  ø18 x10	W2  x1	A1  ø7x50 x6	P4  x10
K10  x14	B1  ø8x35 x16	M13  300mm x2	I1  x10	G34  3,5x16 x166



I



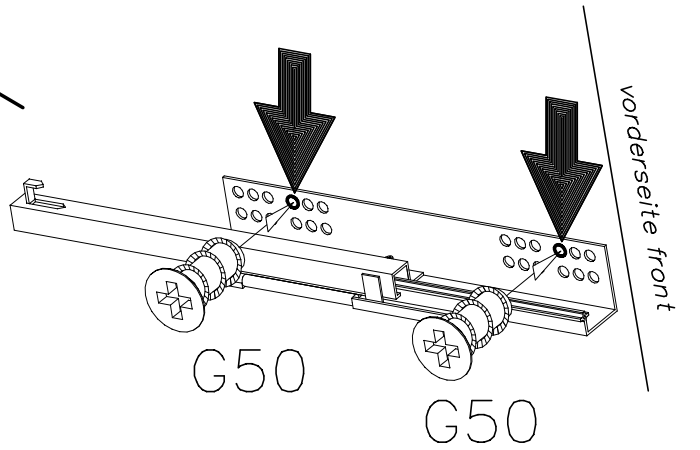
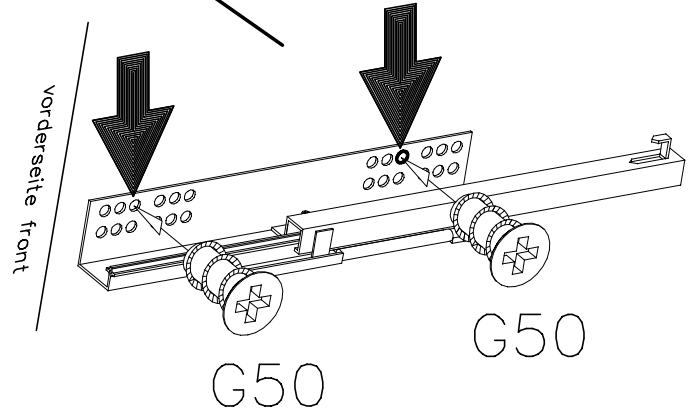
B1

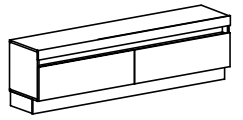
G50

K1

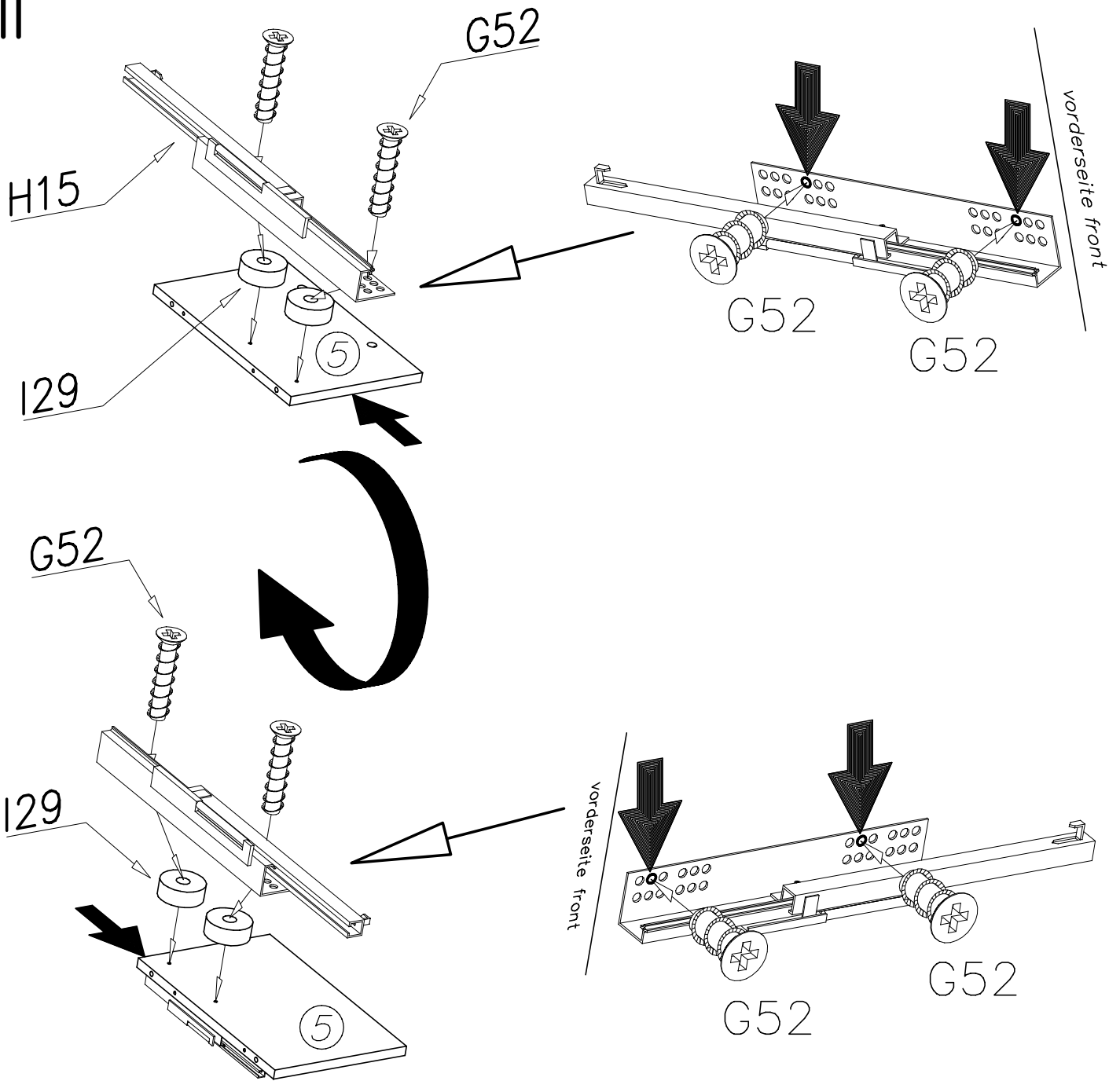
H15

B1

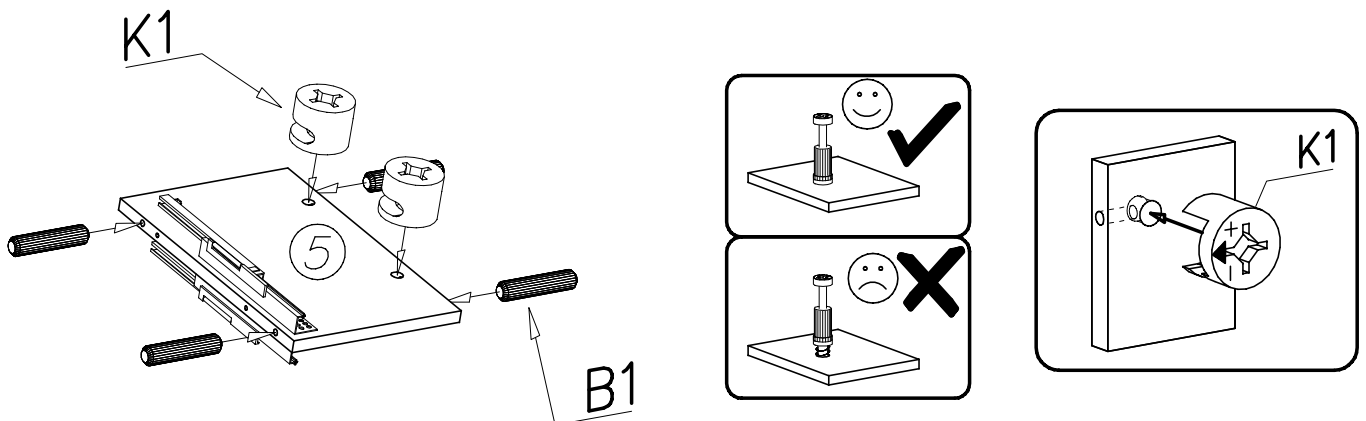


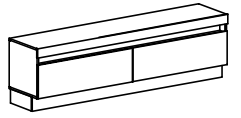


II

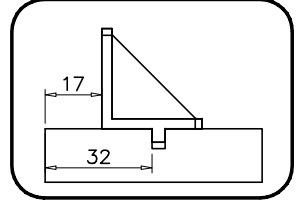
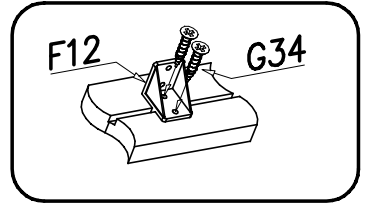
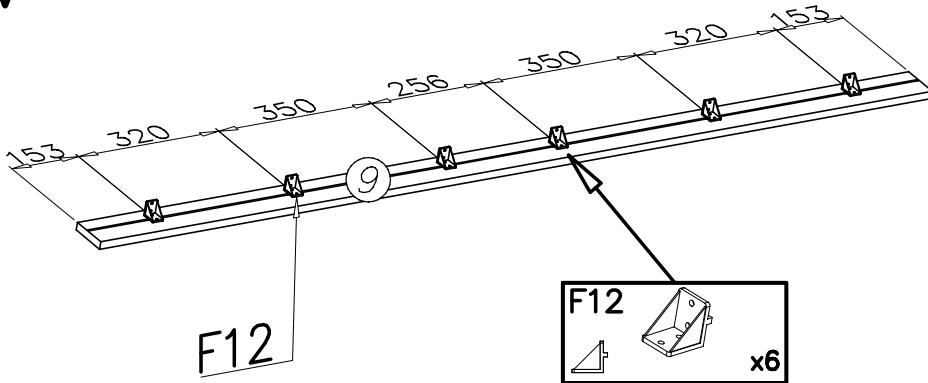


III

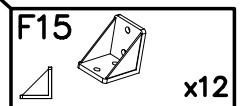
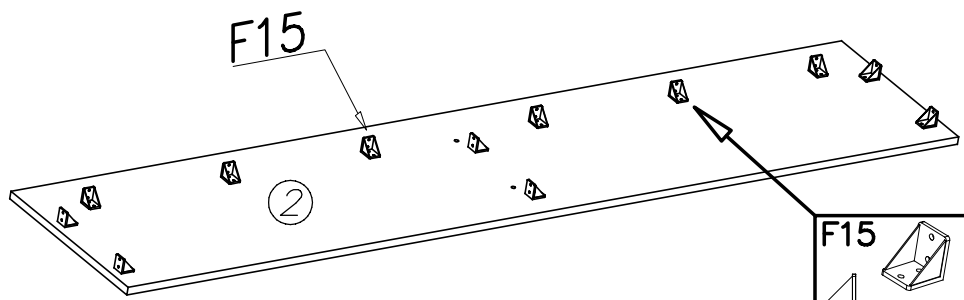
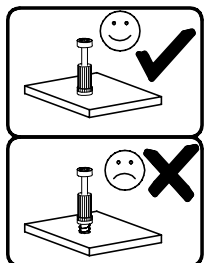
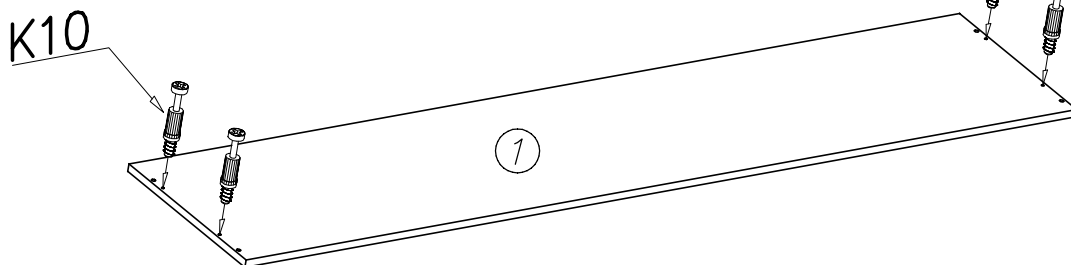
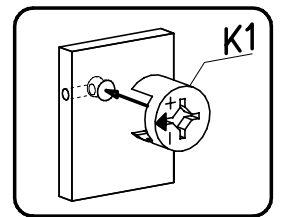
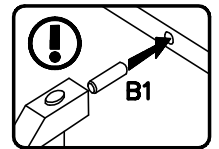
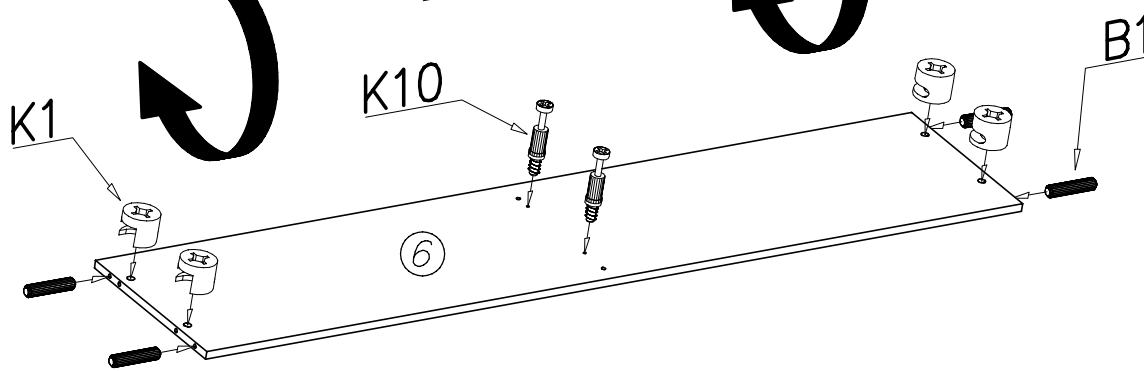
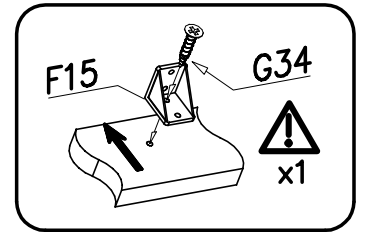
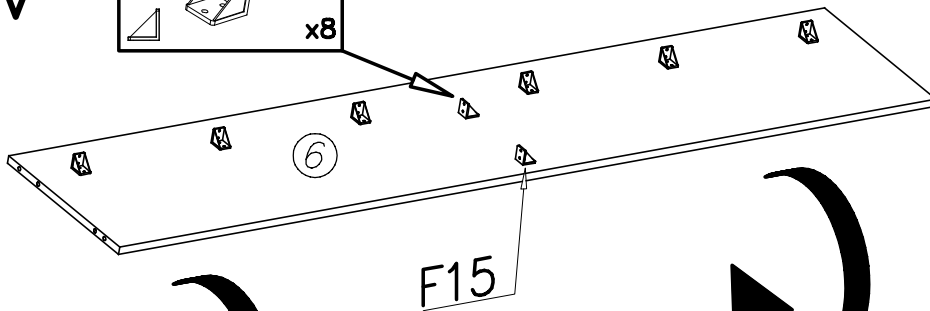
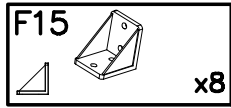


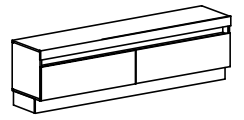


# IV

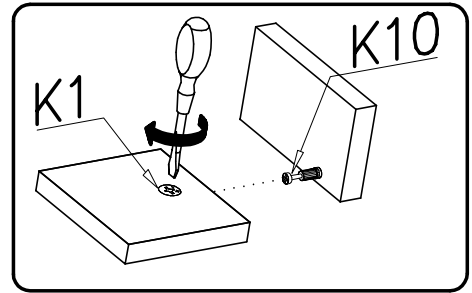
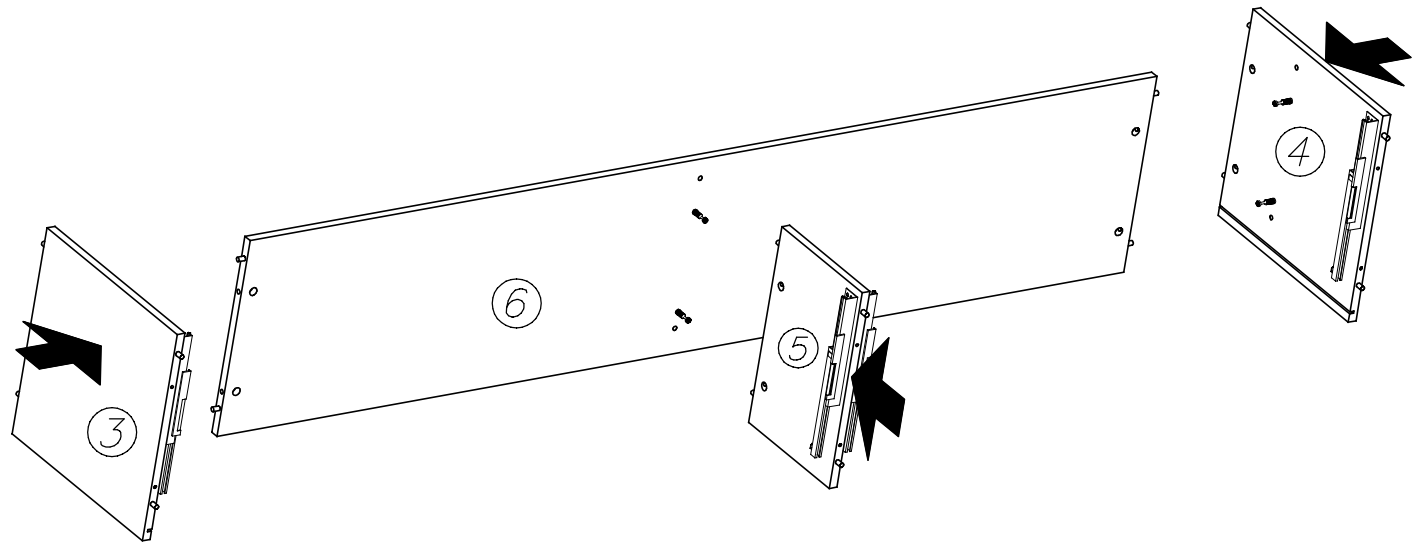


# V

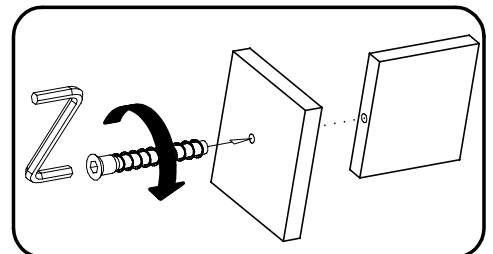
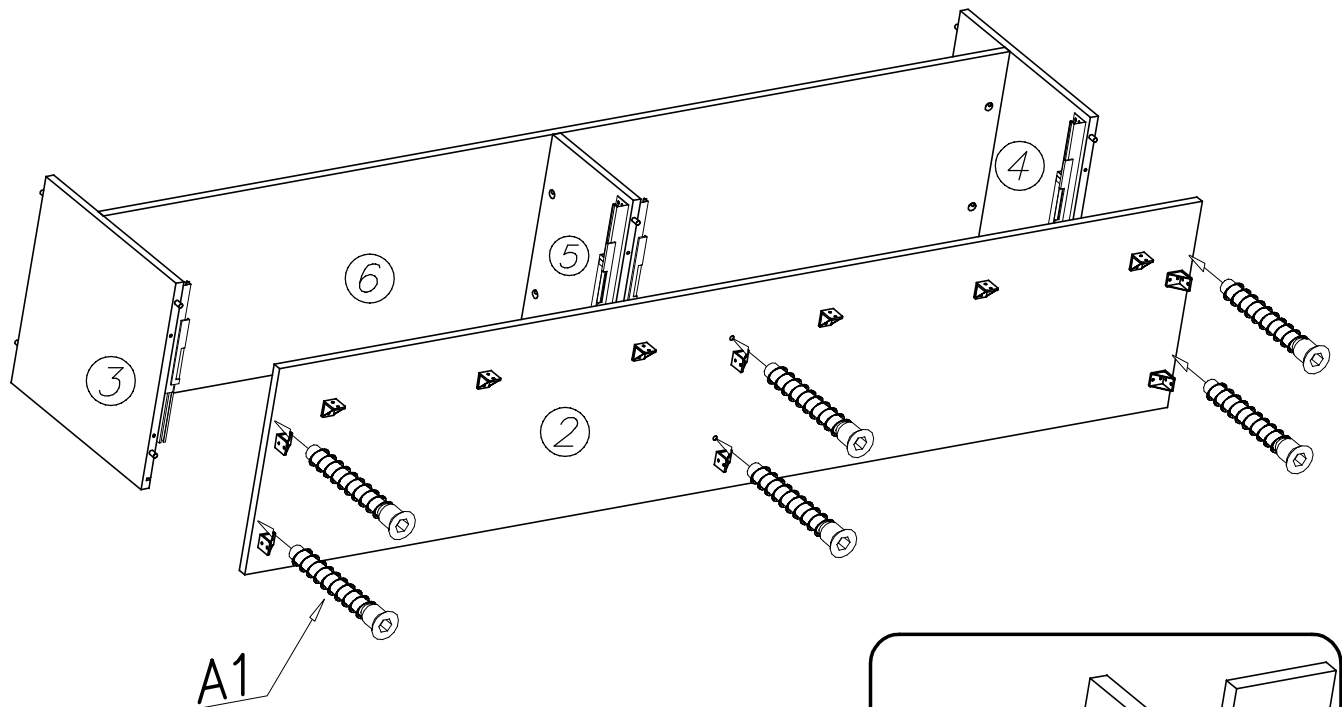


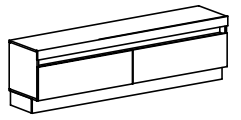


# VI

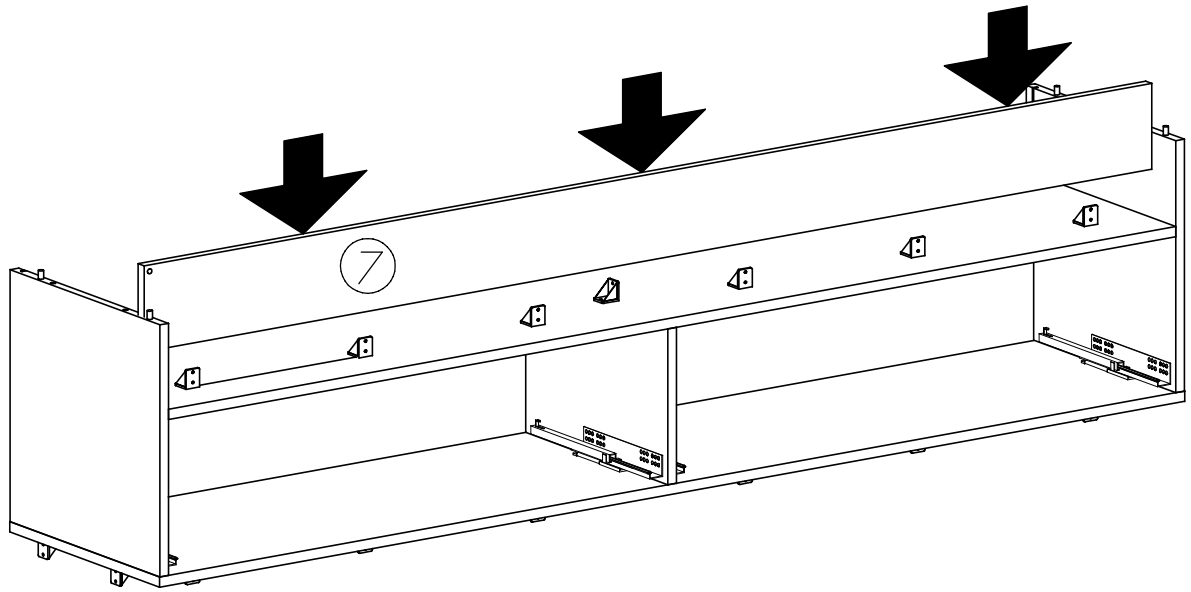


# VII

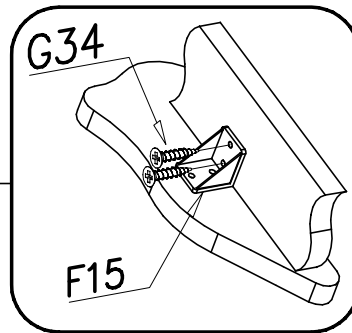




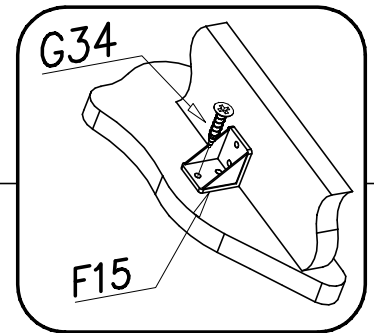
VIII



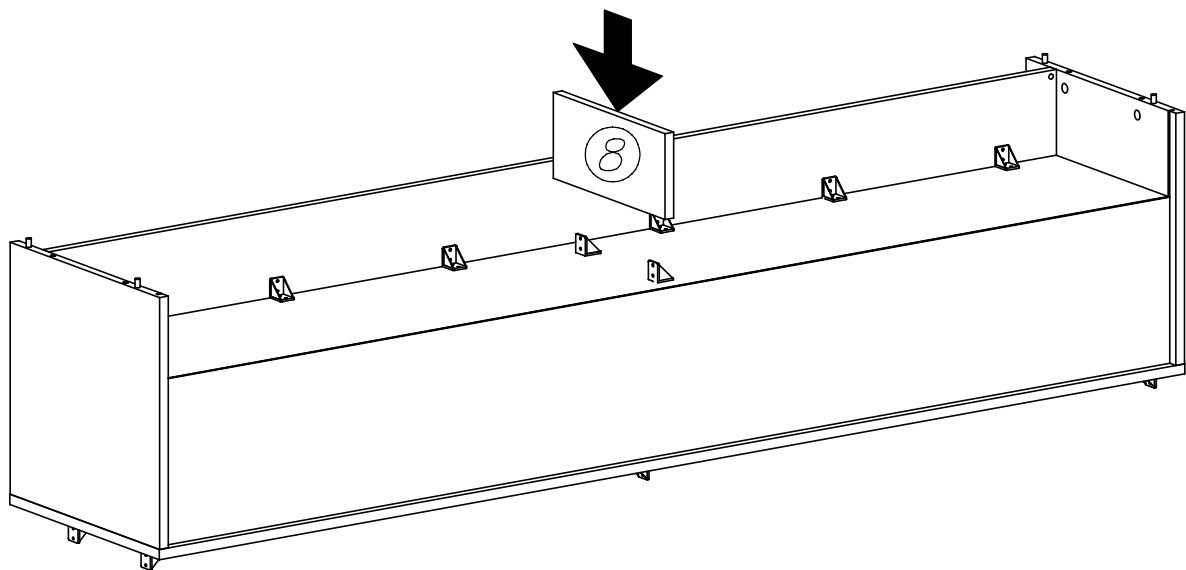
1.



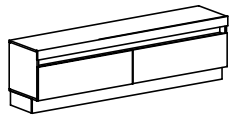
2.



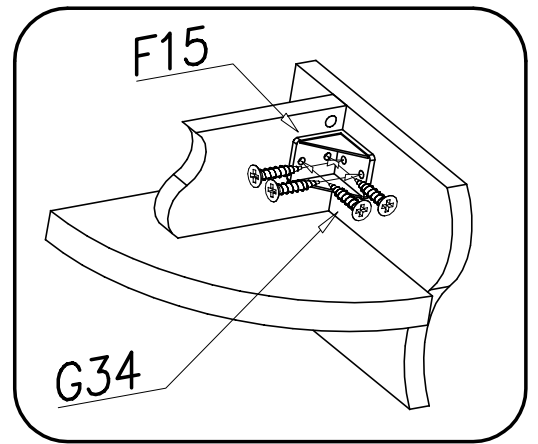
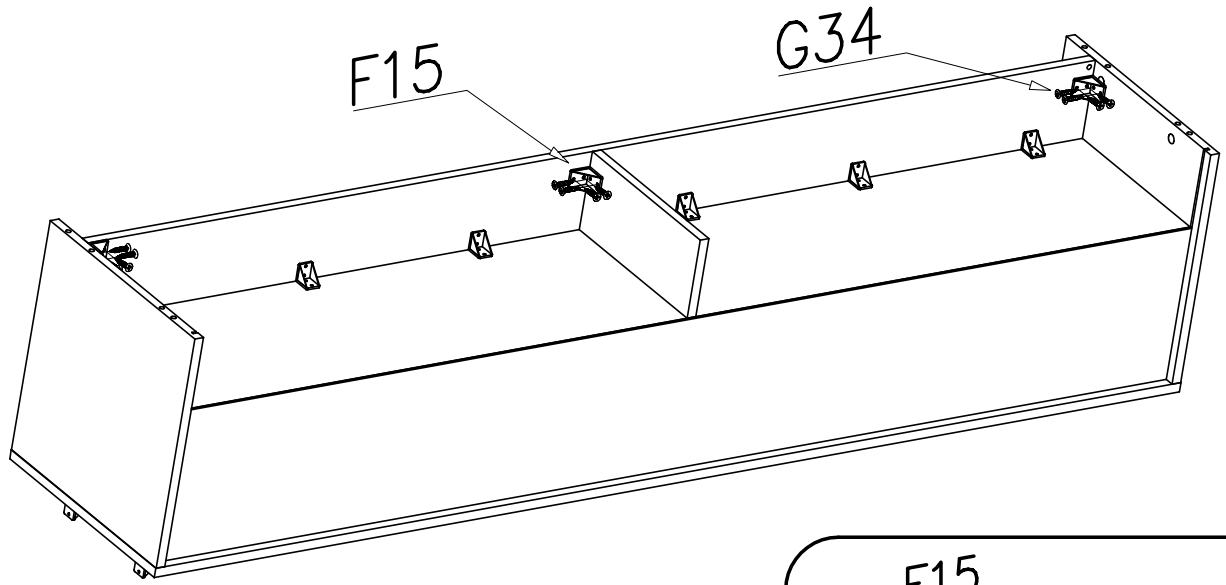
IX



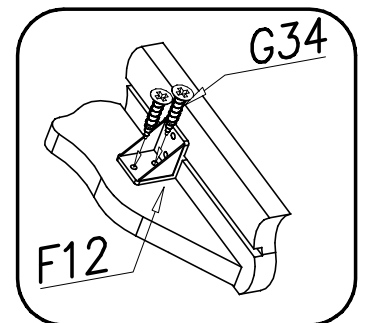
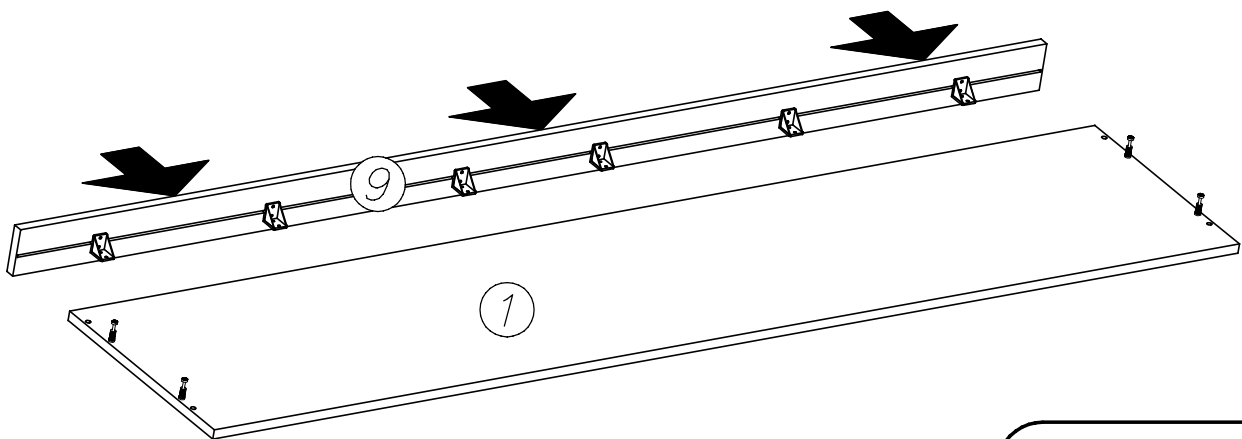


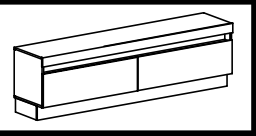


X

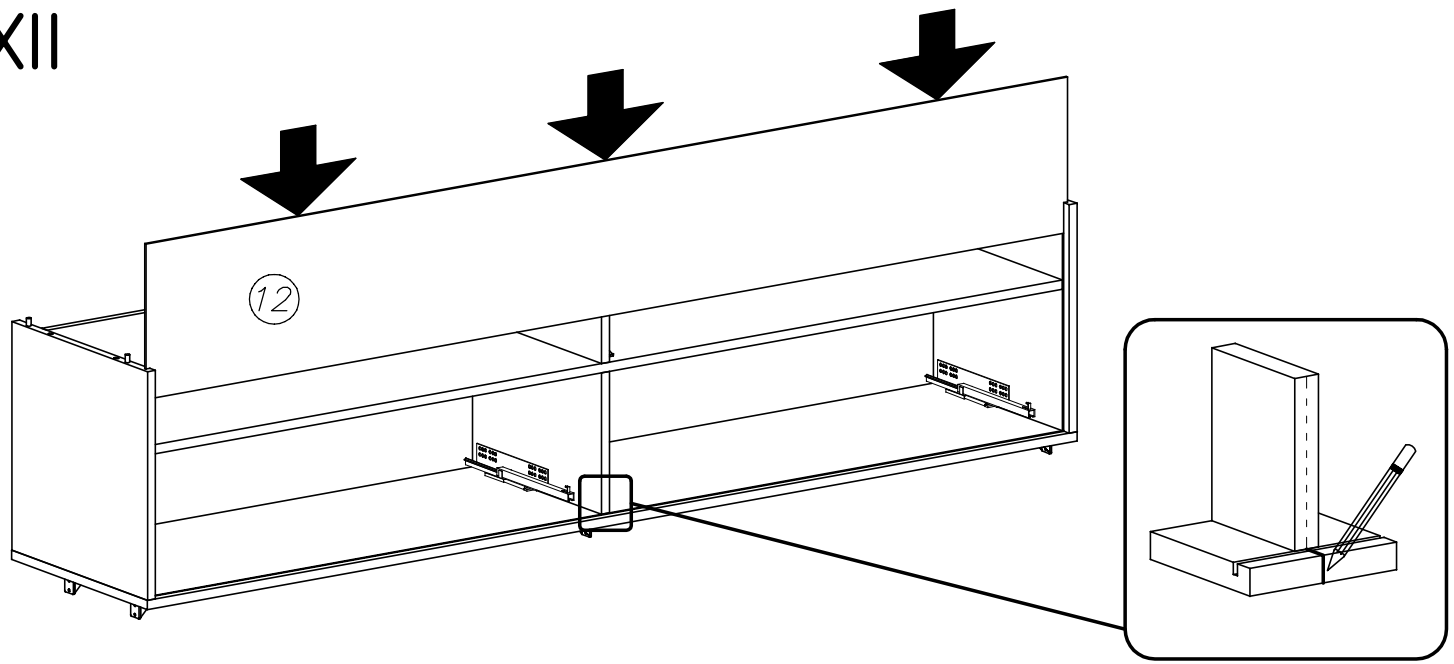


XI

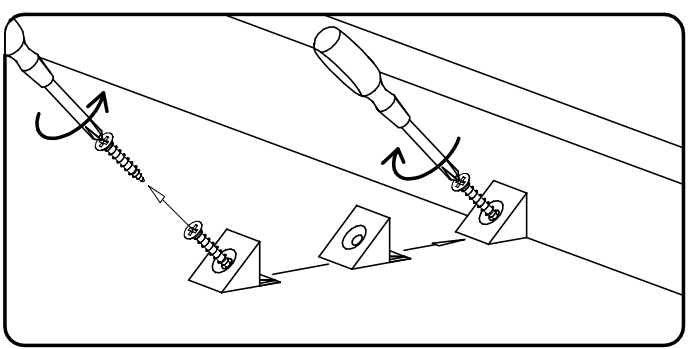
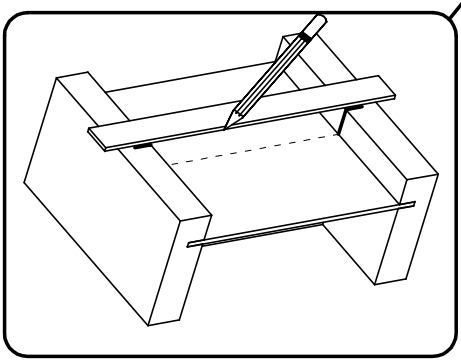
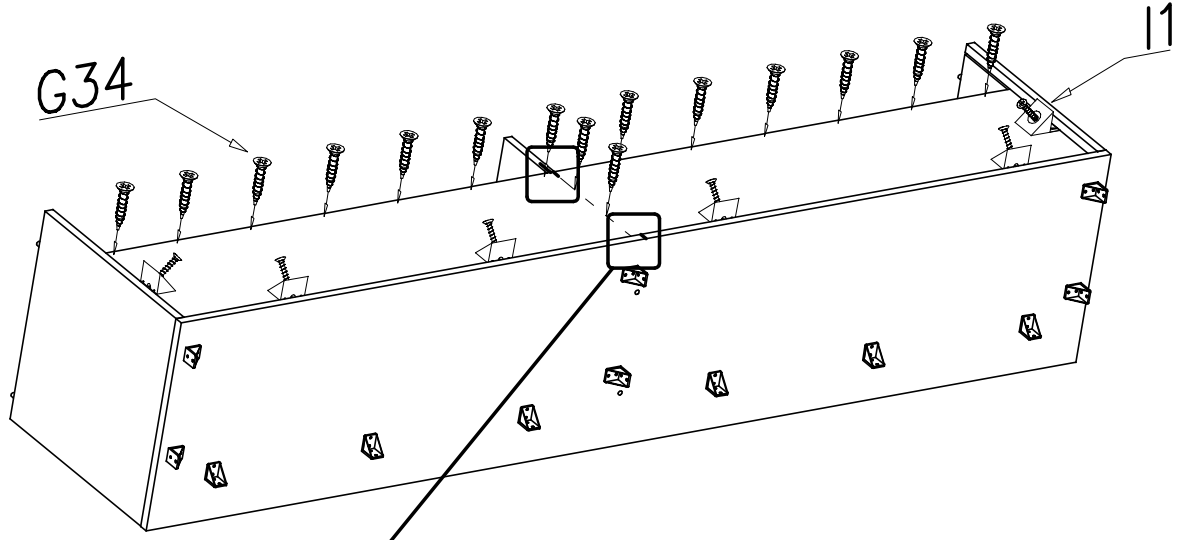
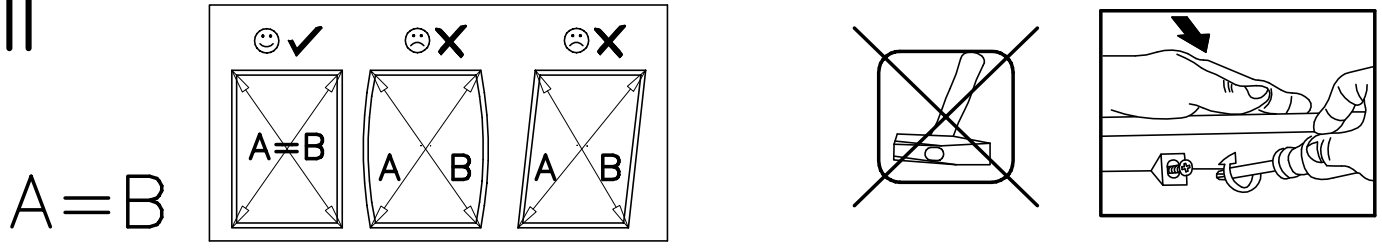


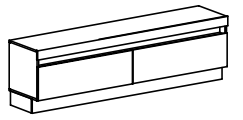


XII

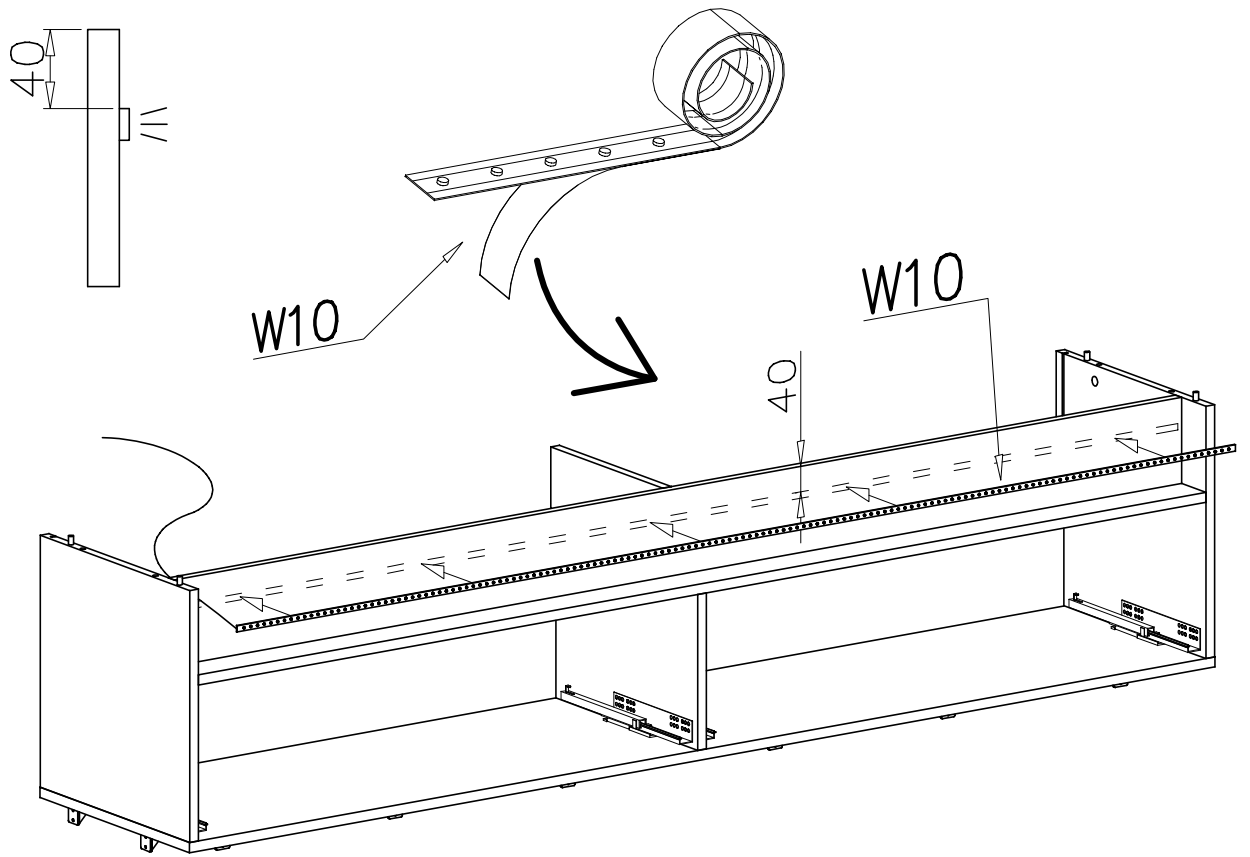


XIII

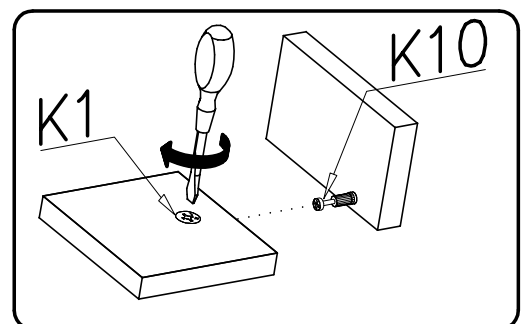
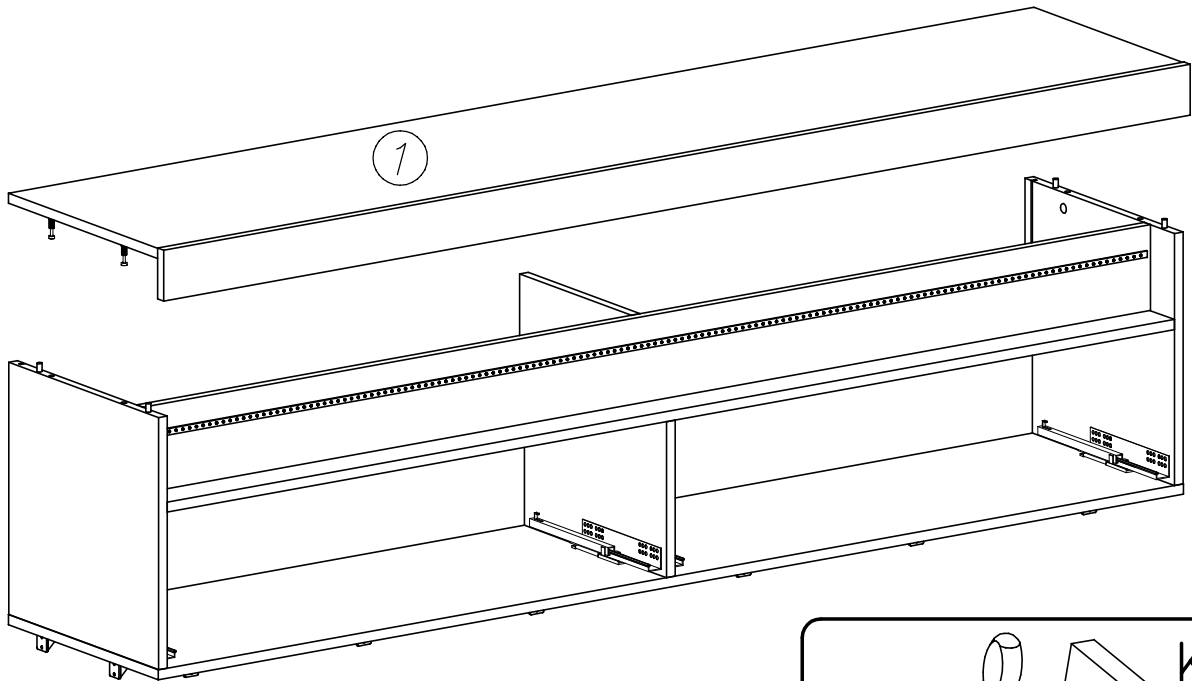


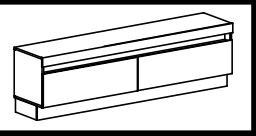


XIV

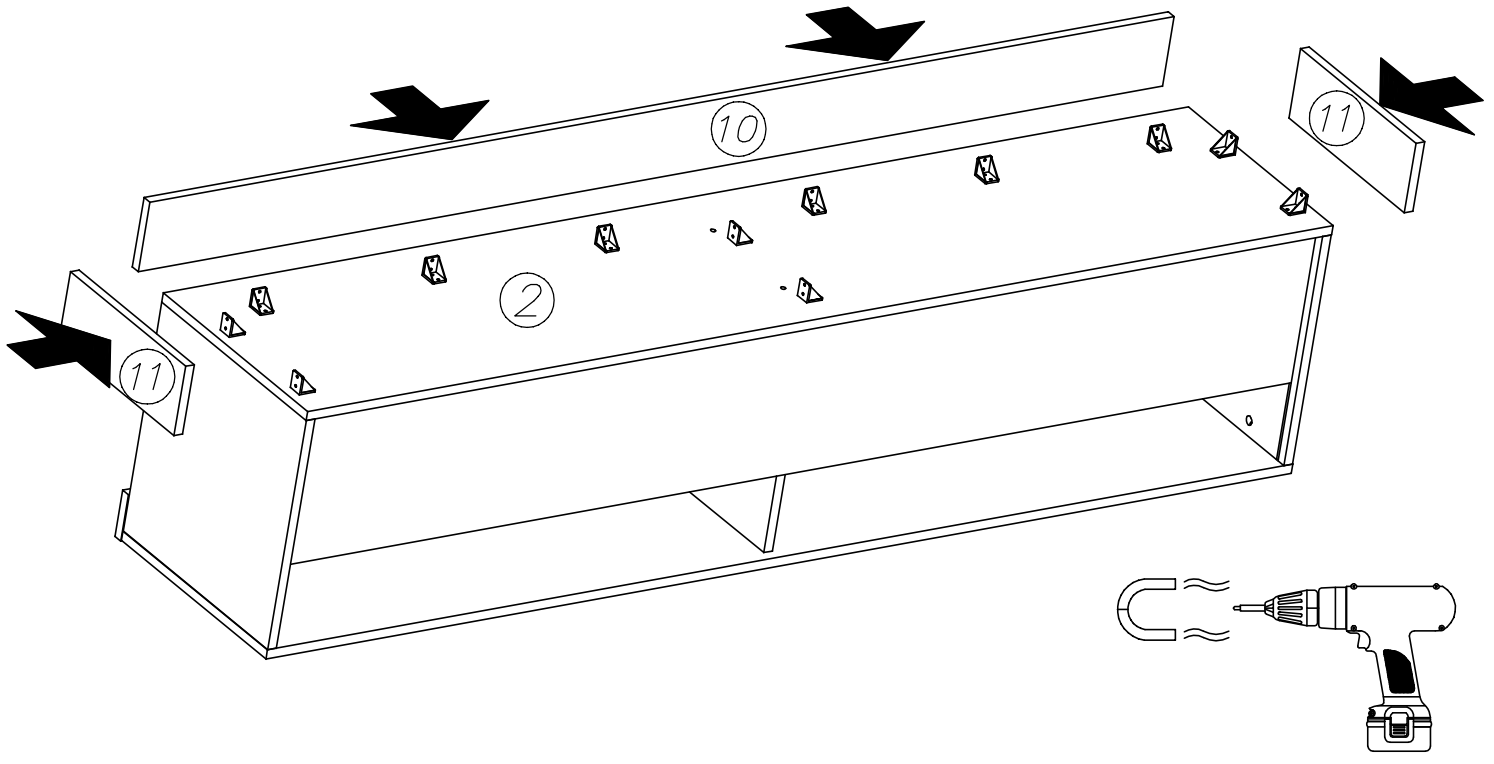


XV

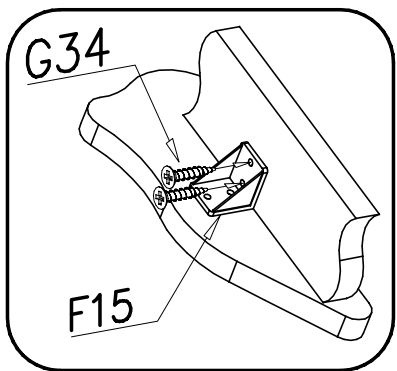




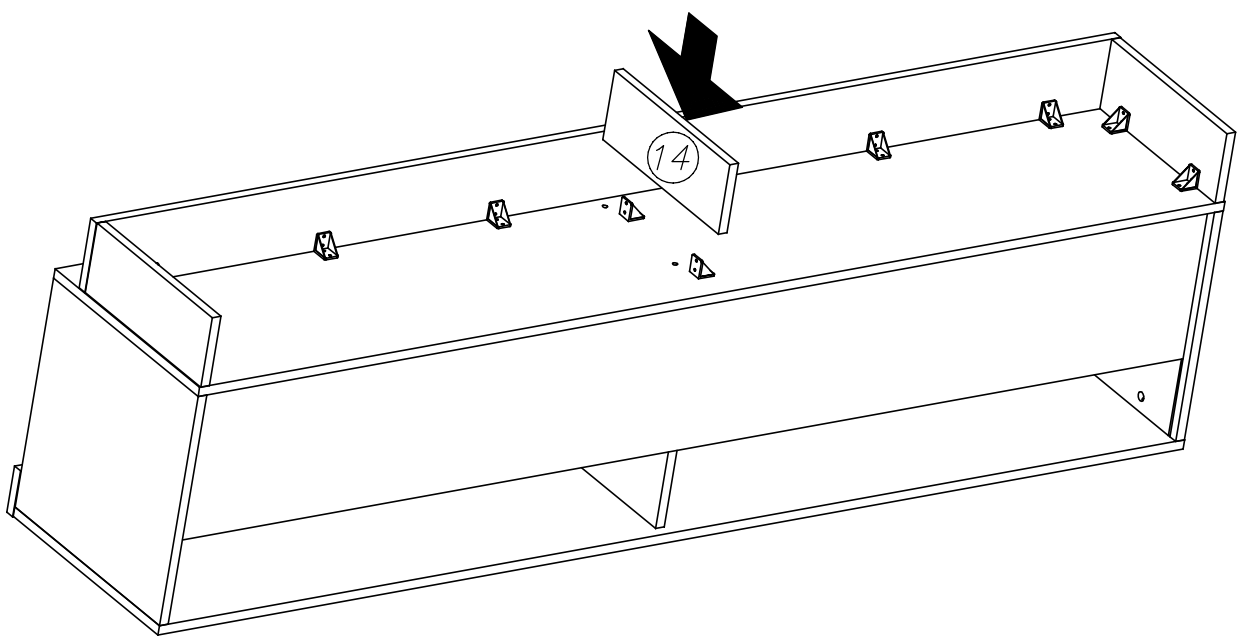
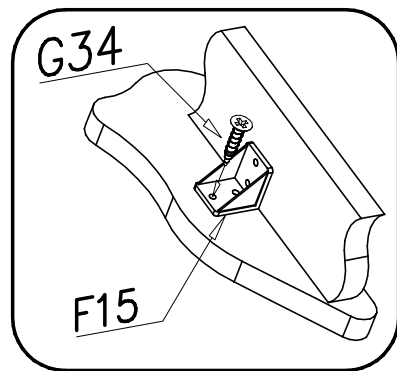
XVI

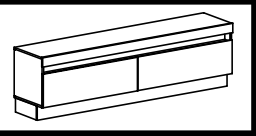


1.

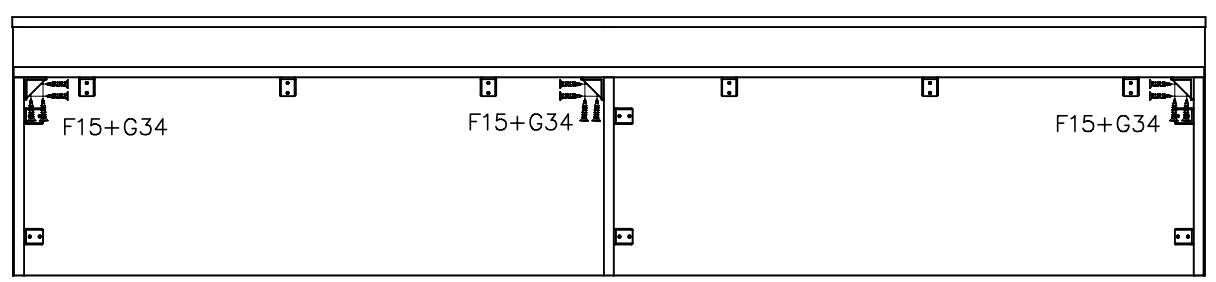
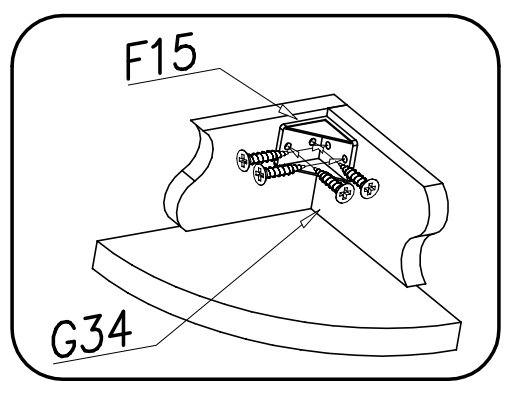
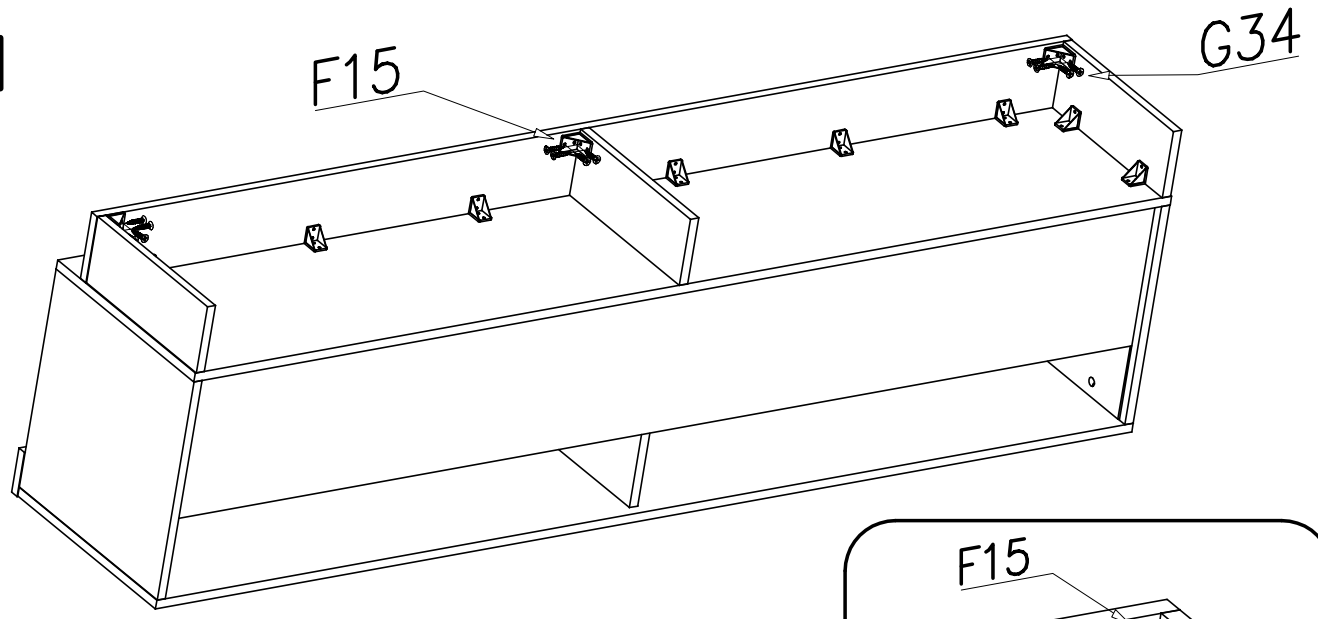


2.

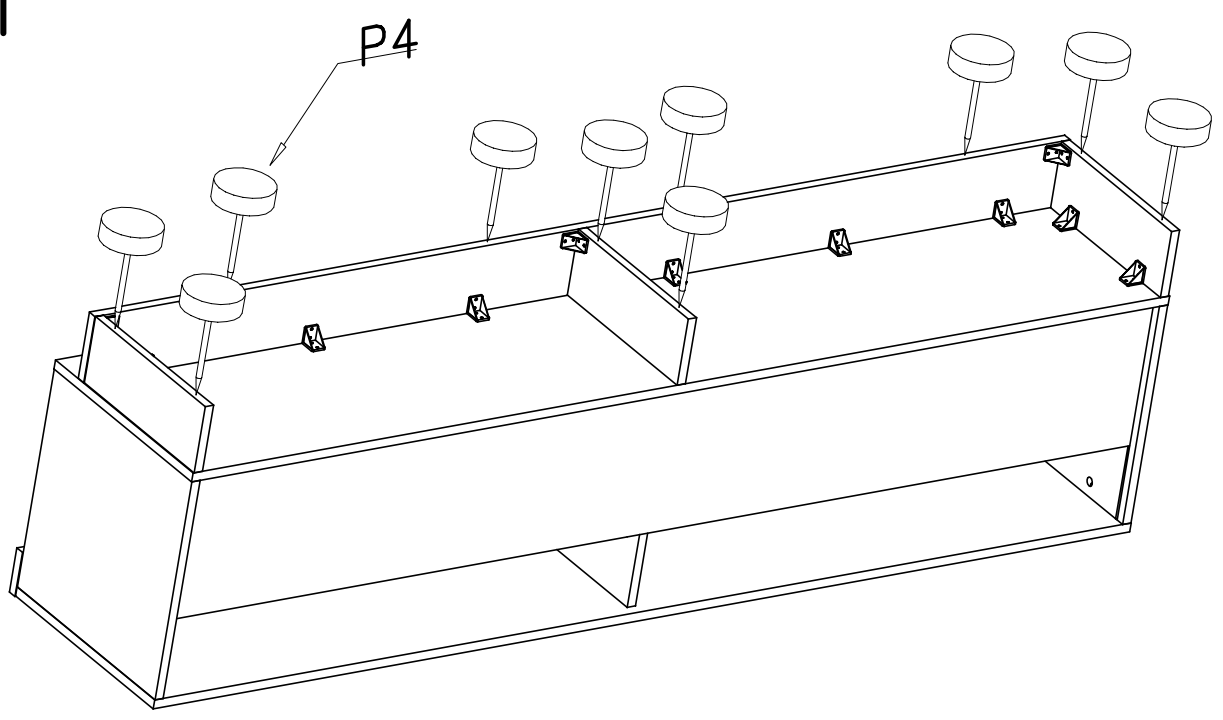


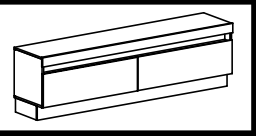


XVII

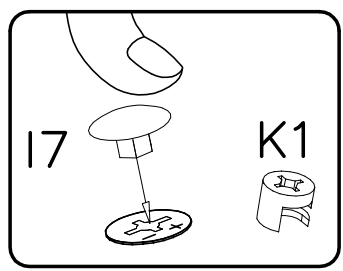
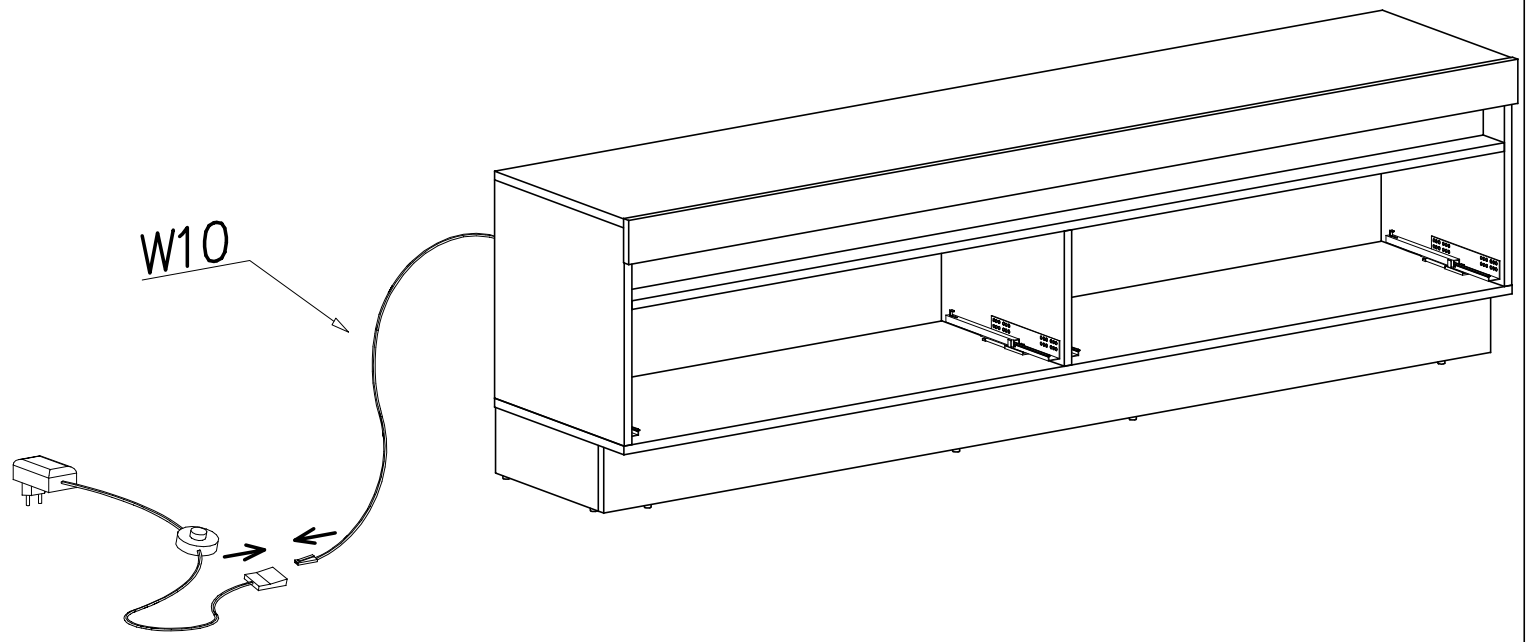


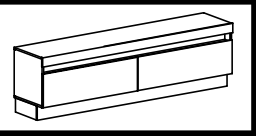
XVIII



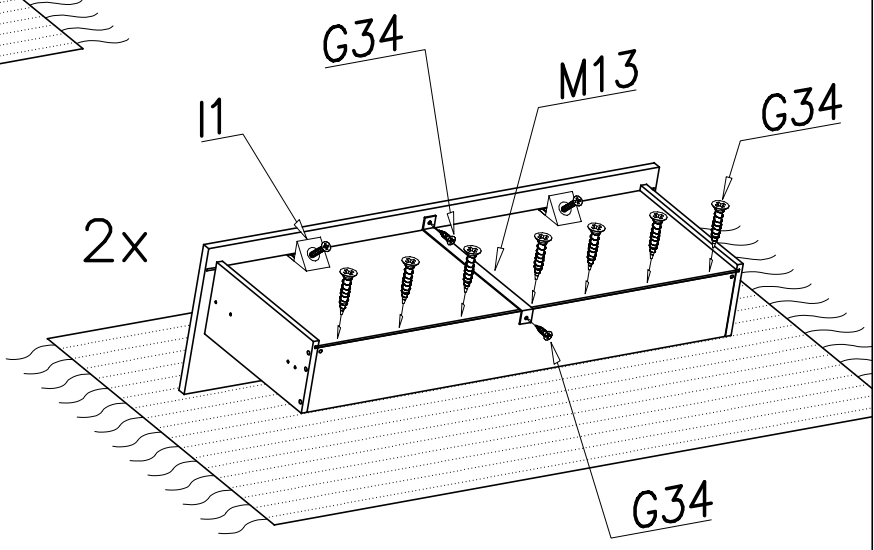
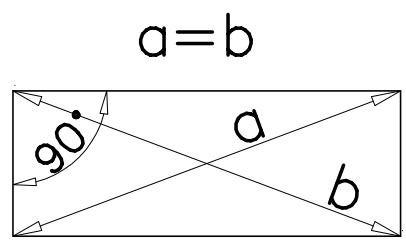
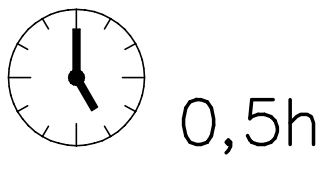
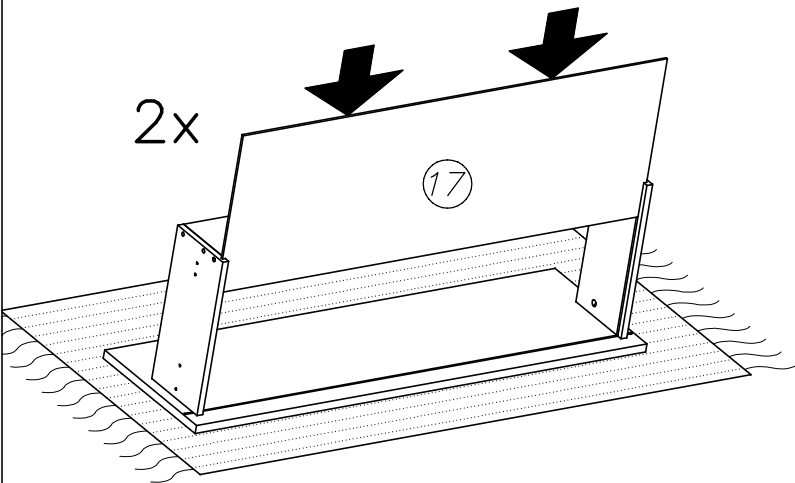
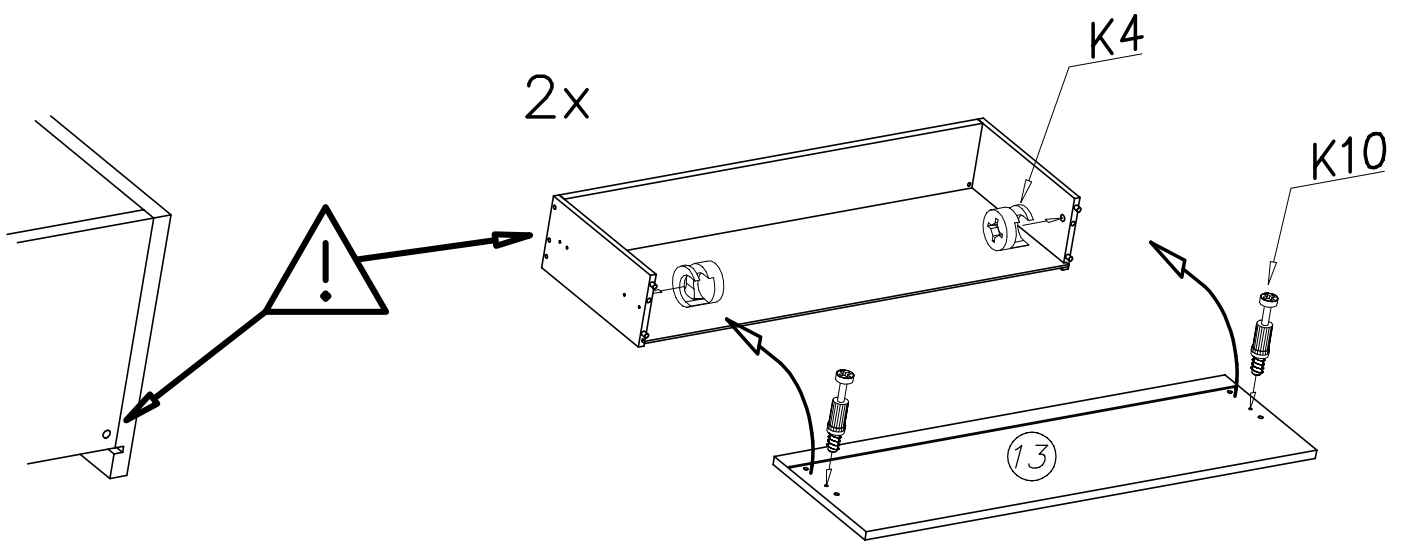
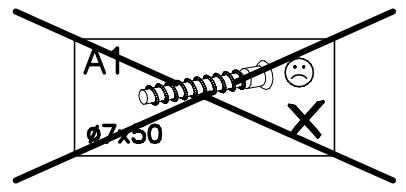
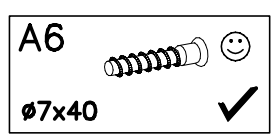
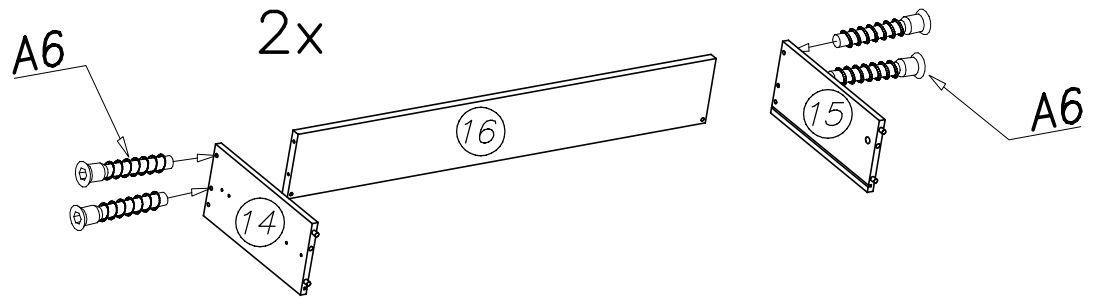


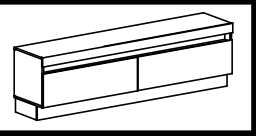
XIX



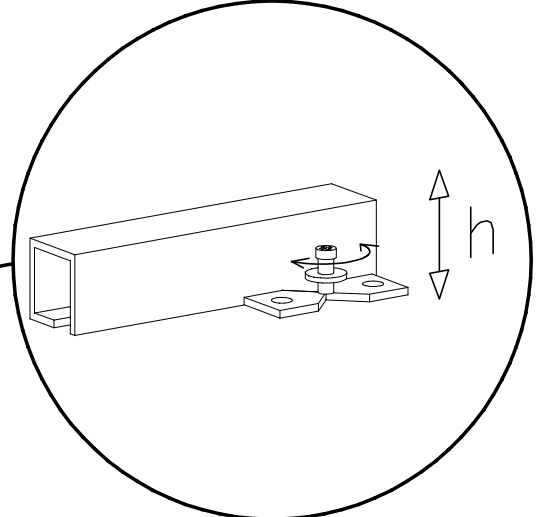
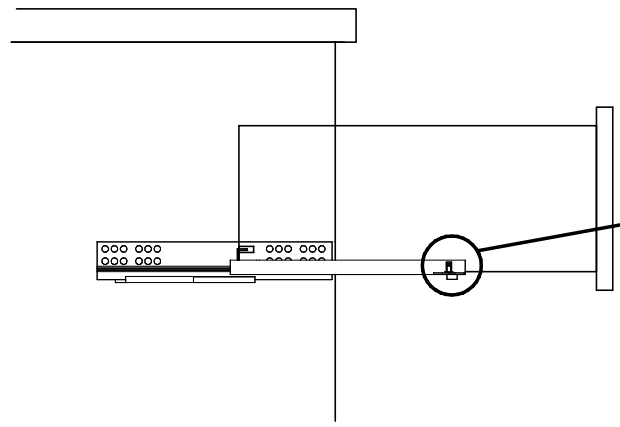
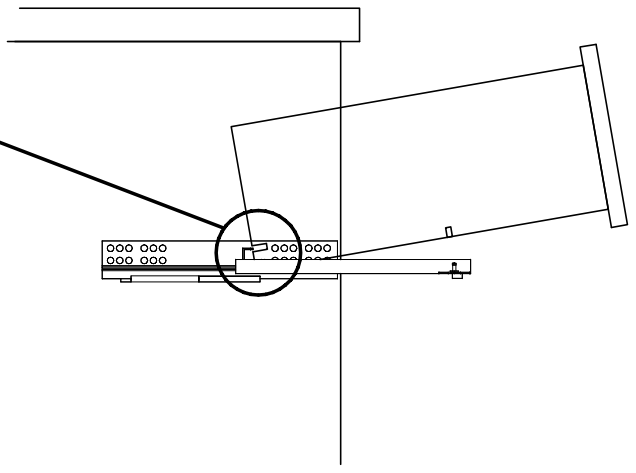
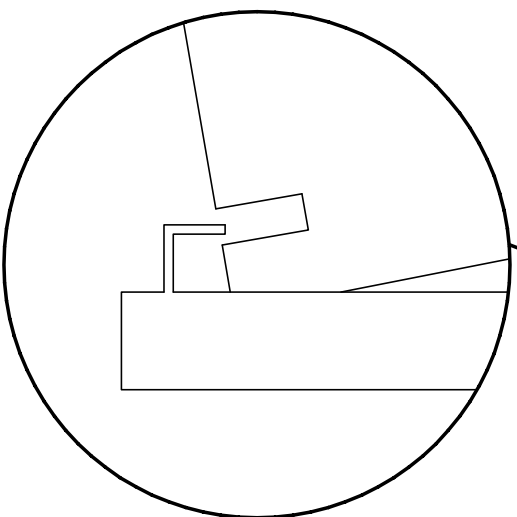
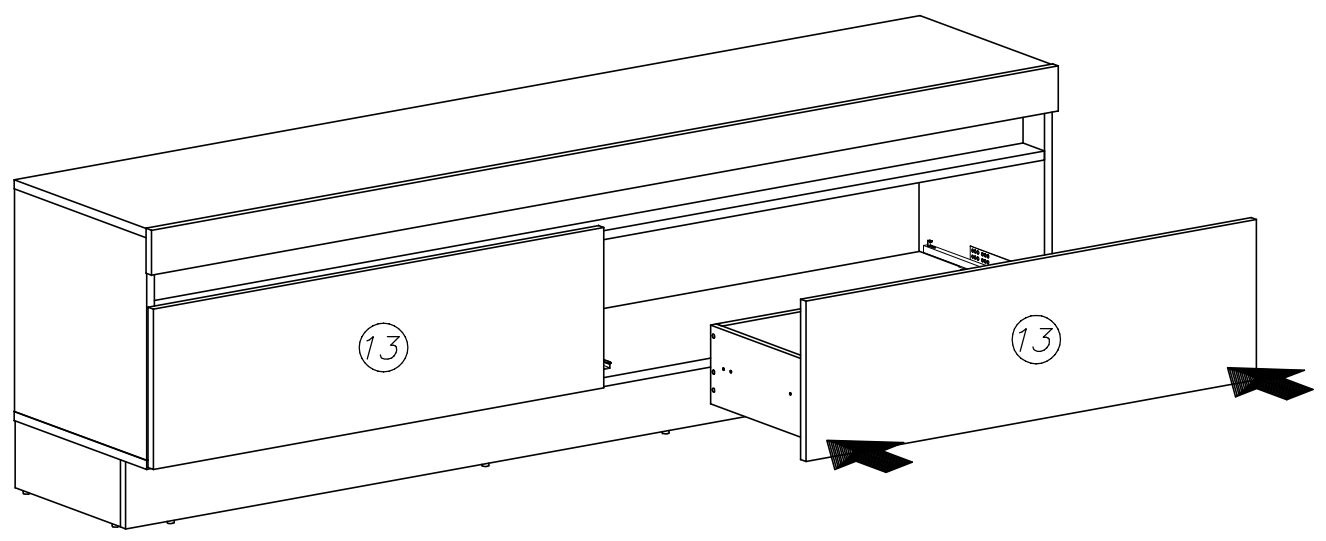


XX

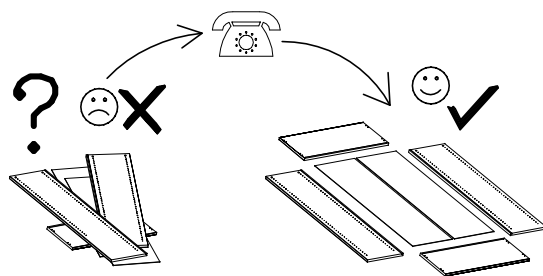
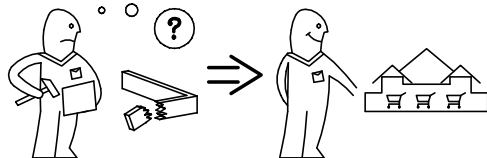
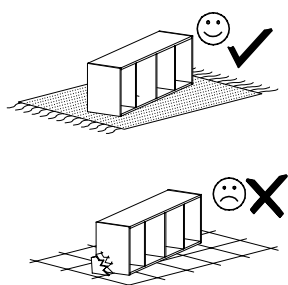




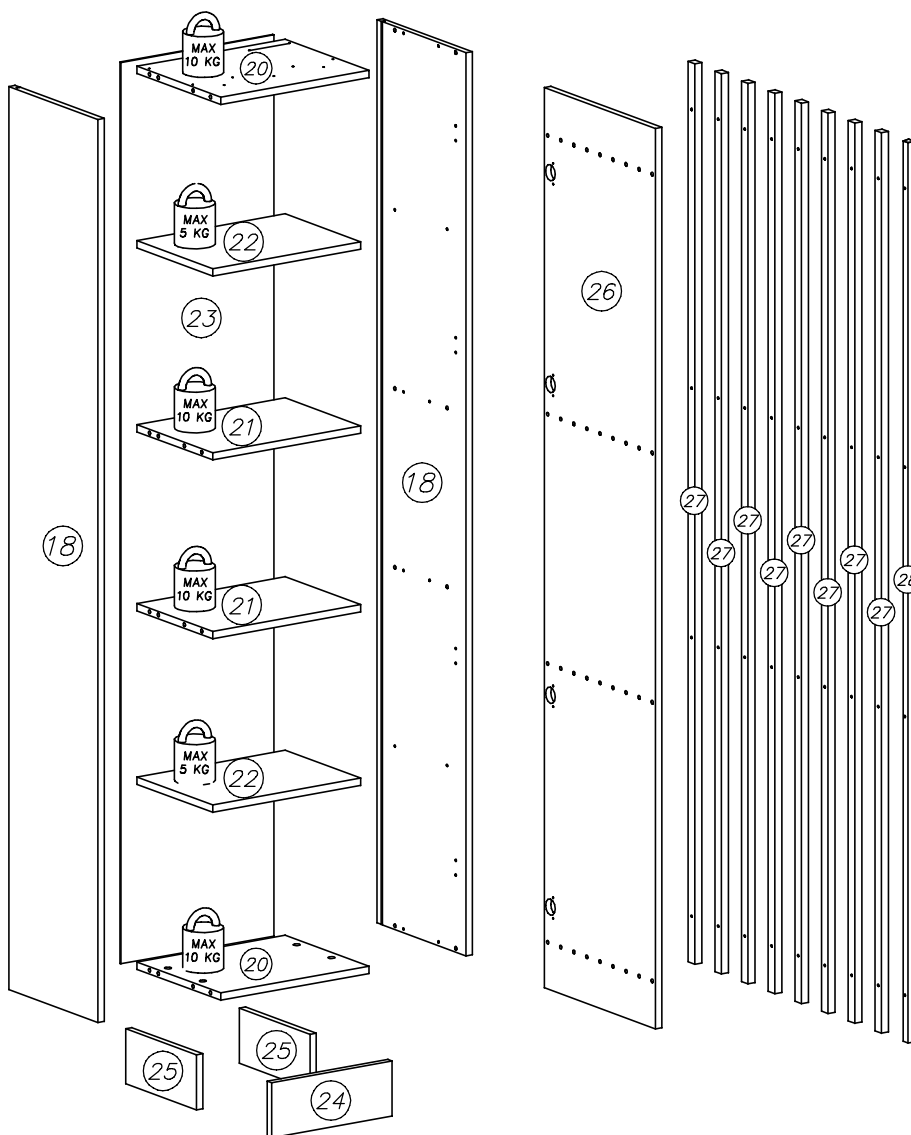
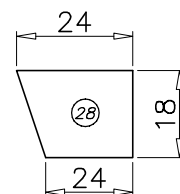
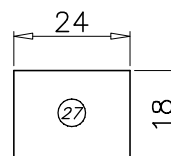
XXI







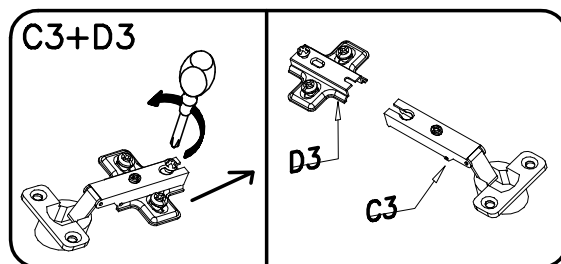
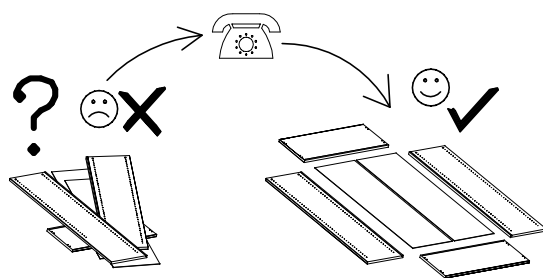
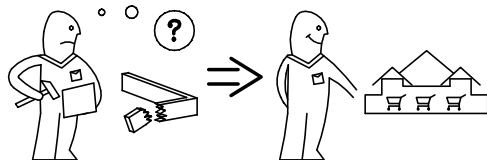
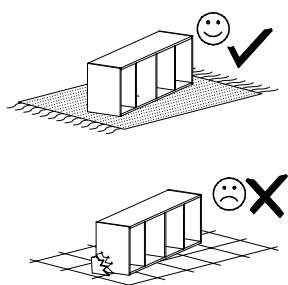
x2



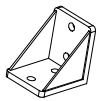

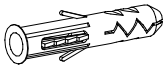

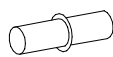


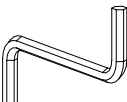
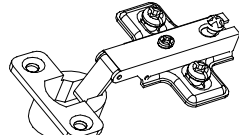

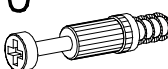

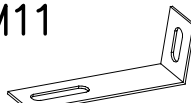
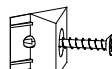

nr	L[mm]	B[mm]	T[mm]	Menge	Colli
18	1970	328	16	2	3/7
18	1970	328	16	2	4/7
20	381	308	16	2	3/7
20	381	308	16	2	4/7
21	381	278	16	2	3/7
21	381	278	16	2	4/7

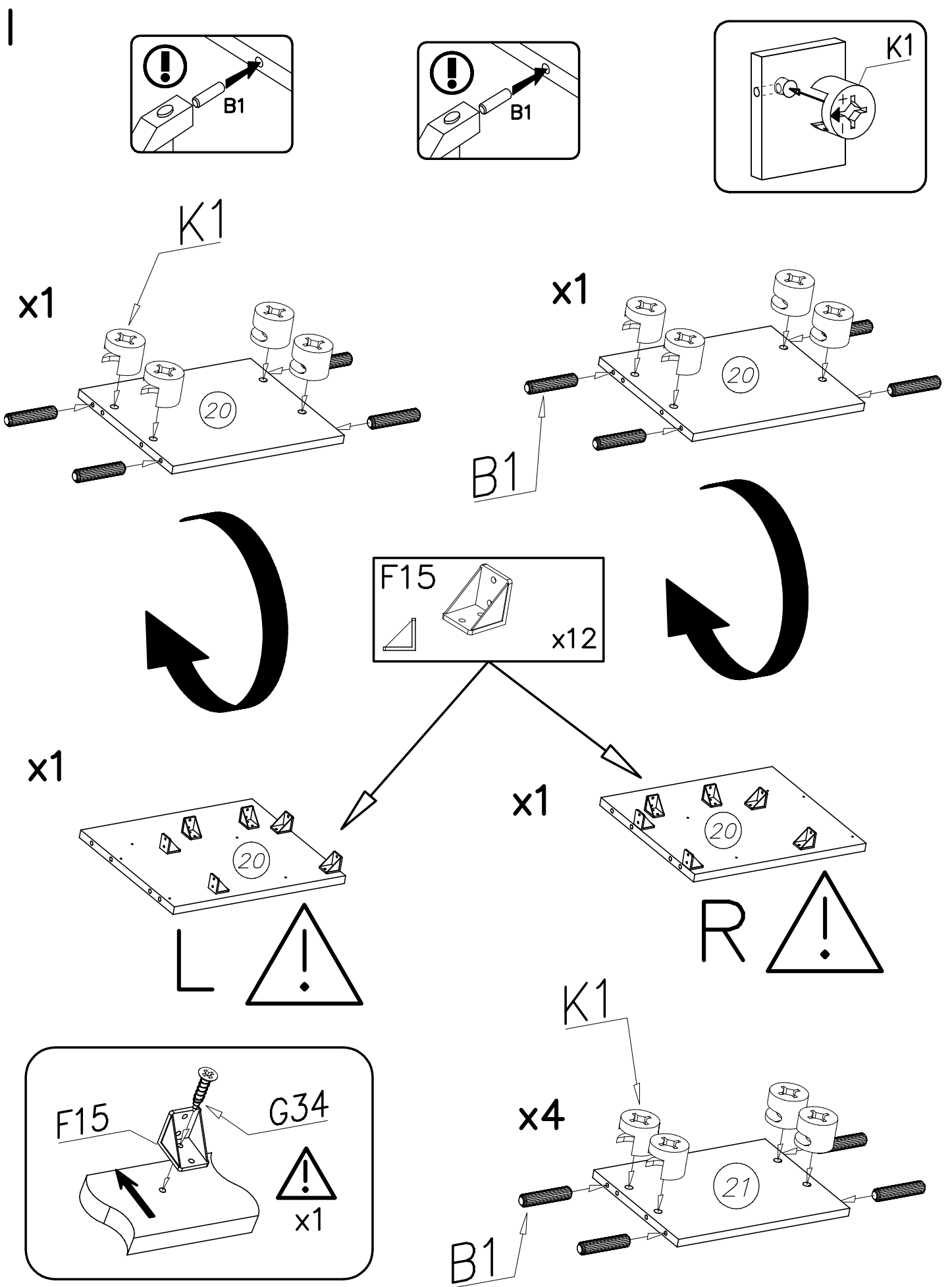
nr	L[mm]	B[mm]	T[mm]	Menge	Colli
22	381	278	16	2	3/7
22	381	278	16	2	4/7
23	1966	393	3	2	3/7
23	1966	393	3	2	4/7
24	310	120	16	2	6/7

nr	L[mm]	B[mm]	T[mm]	Menge	Colli
25	260	120	16	2	3/7
25	260	120	16	2	4/7
26	1964	408	16	2	5/7
27	1964	24	18	16	5/7
28	1964	24	18	2	5/7



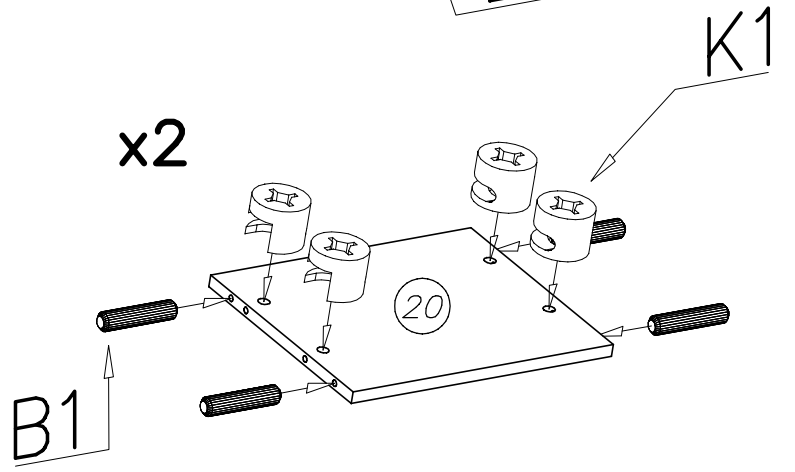
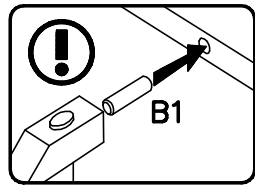
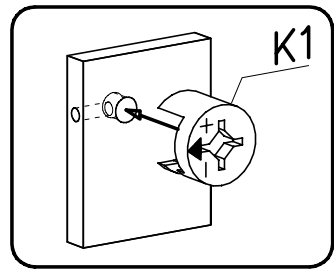
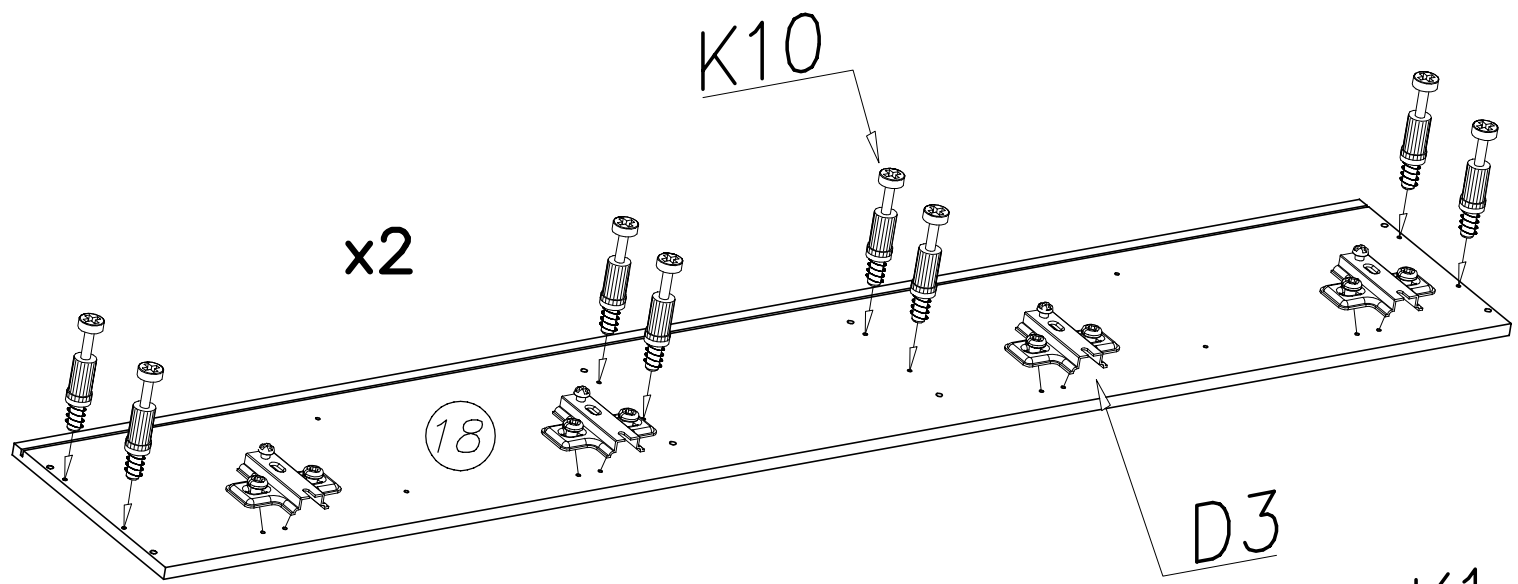
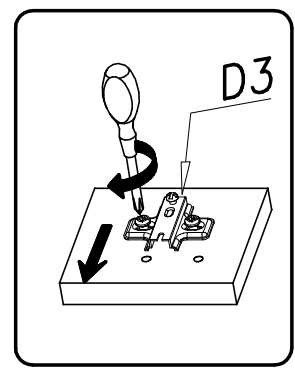
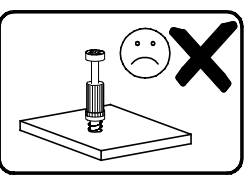
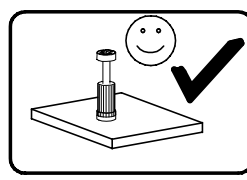
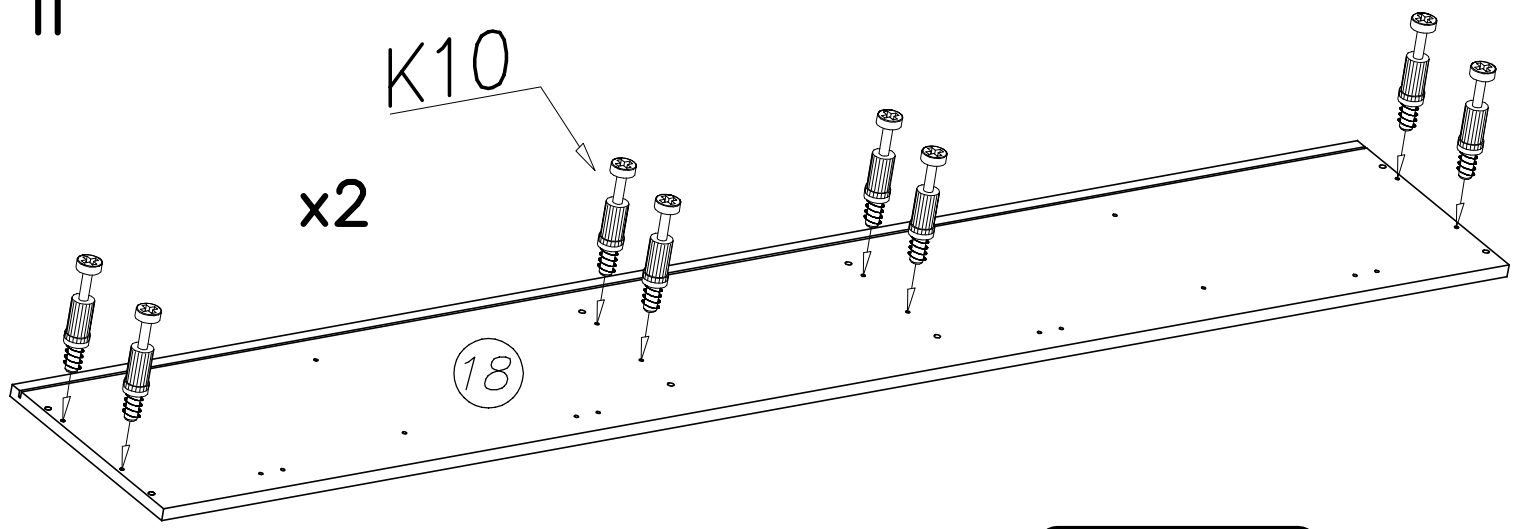
Colli 7/7

F15  x16	G28  4x60 x2	U6  ø8x40 x2	I9  ø13 x72	F2  x16
K1  ø15x12 x32	I7  ø18 x32	W2  x1	C3+D3  Z35PR x16	A6  ø7x28 x72
K10  x32	B1  ø8x35 x32	M11  x2	I1  x20	G34  3,5x16 x132



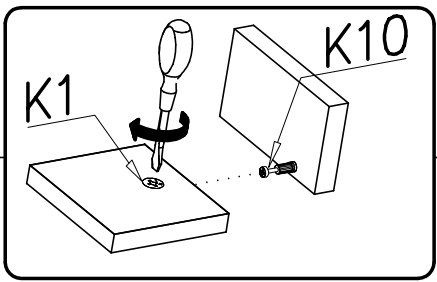
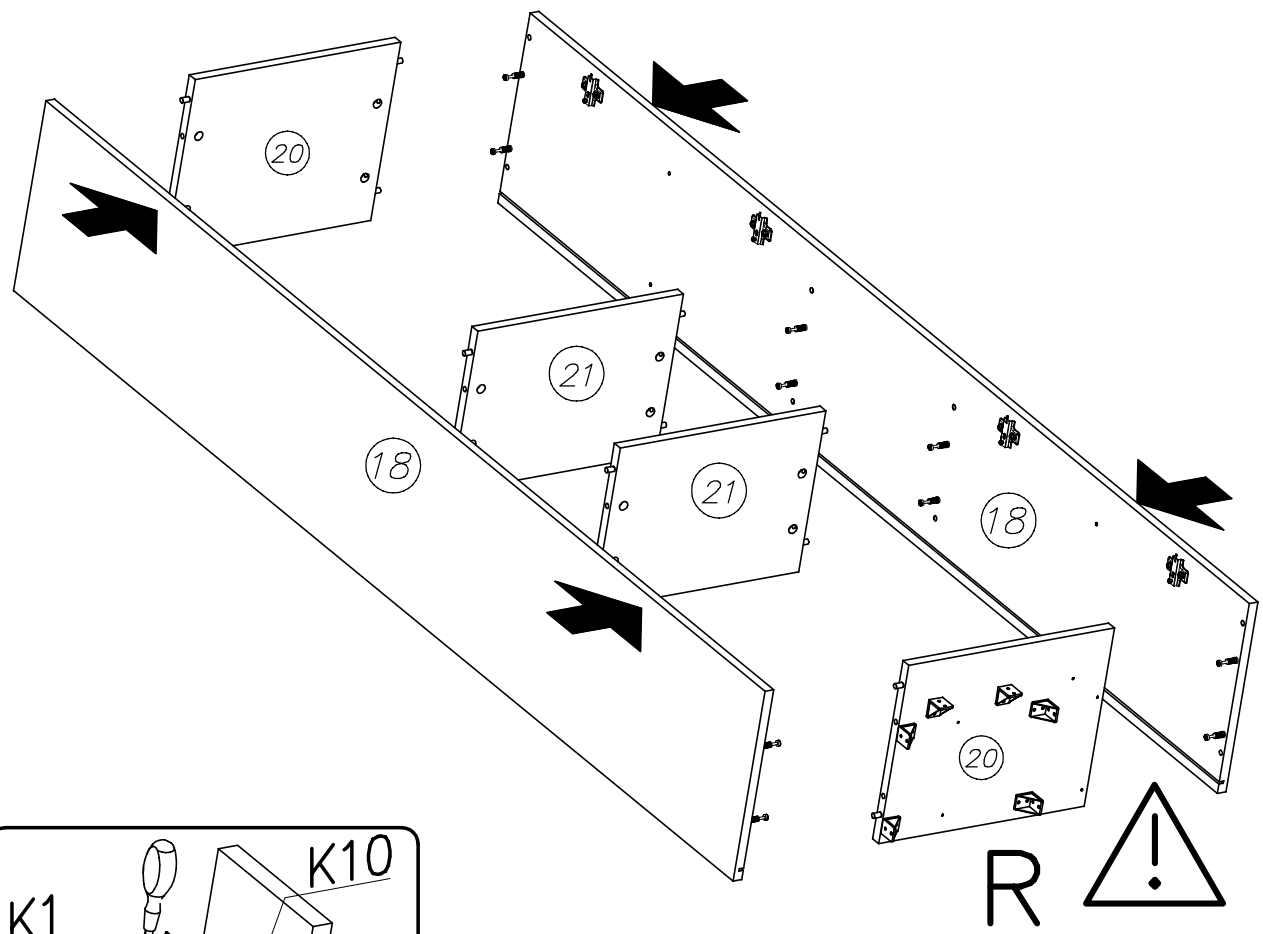


II

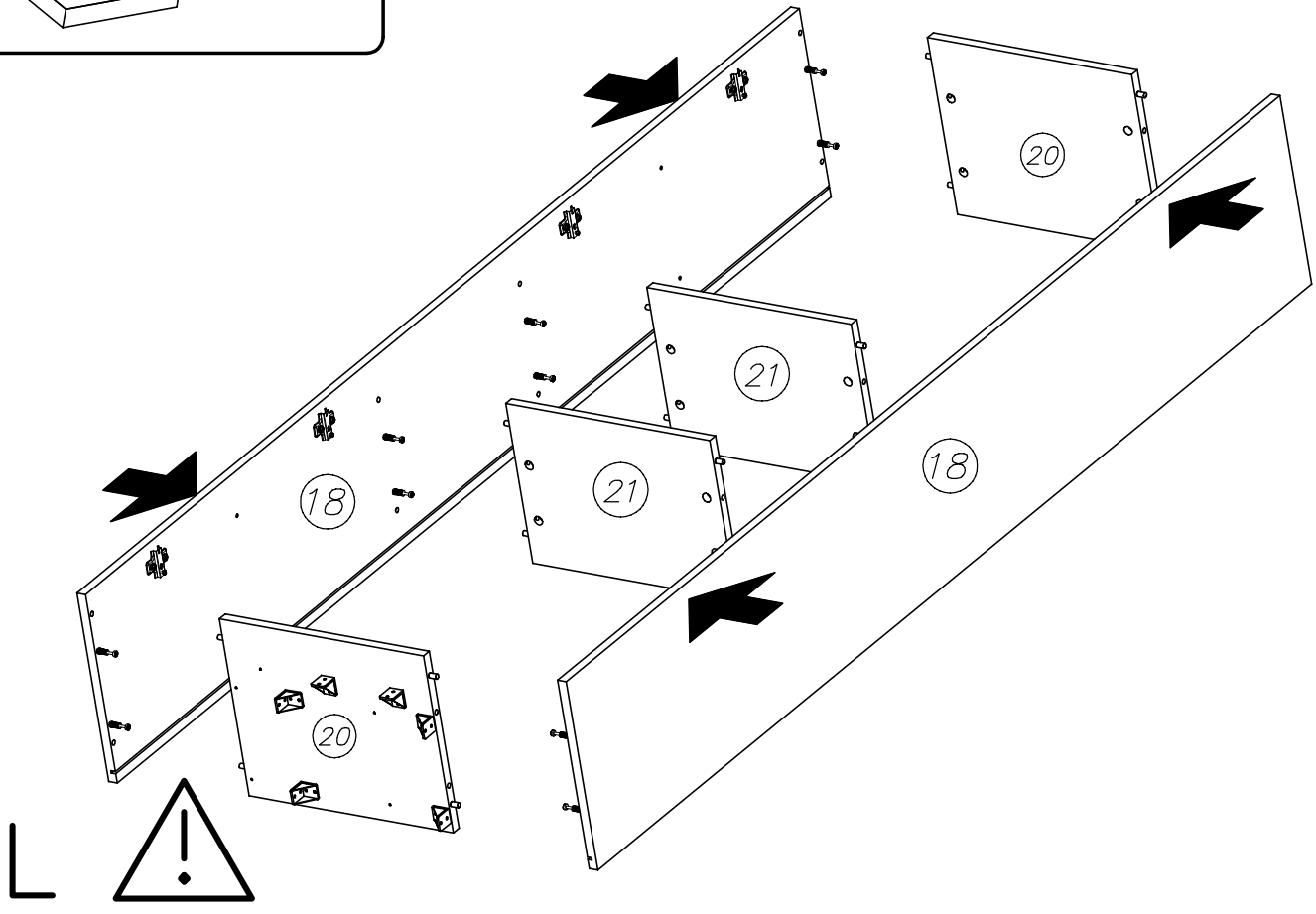




III

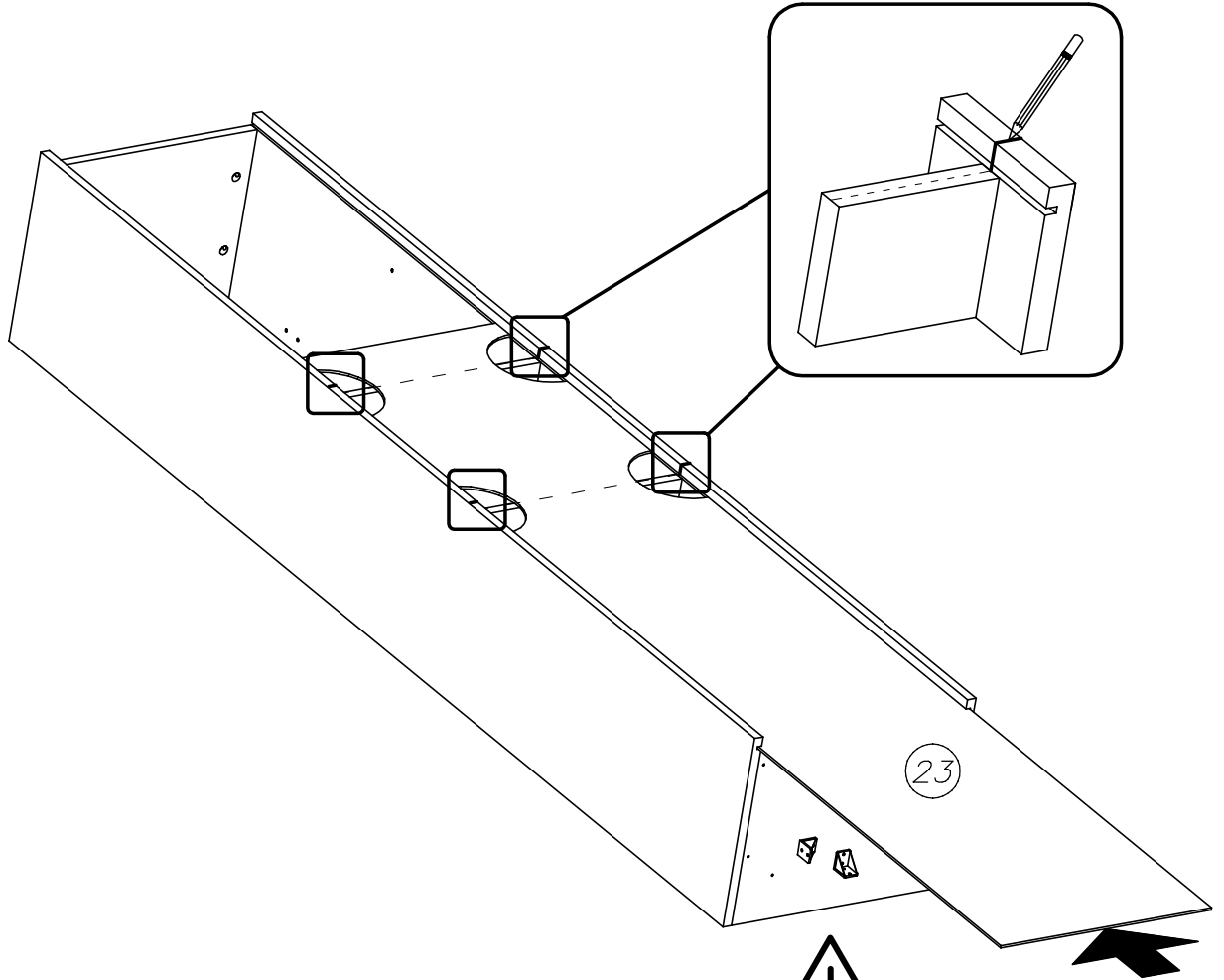


IV

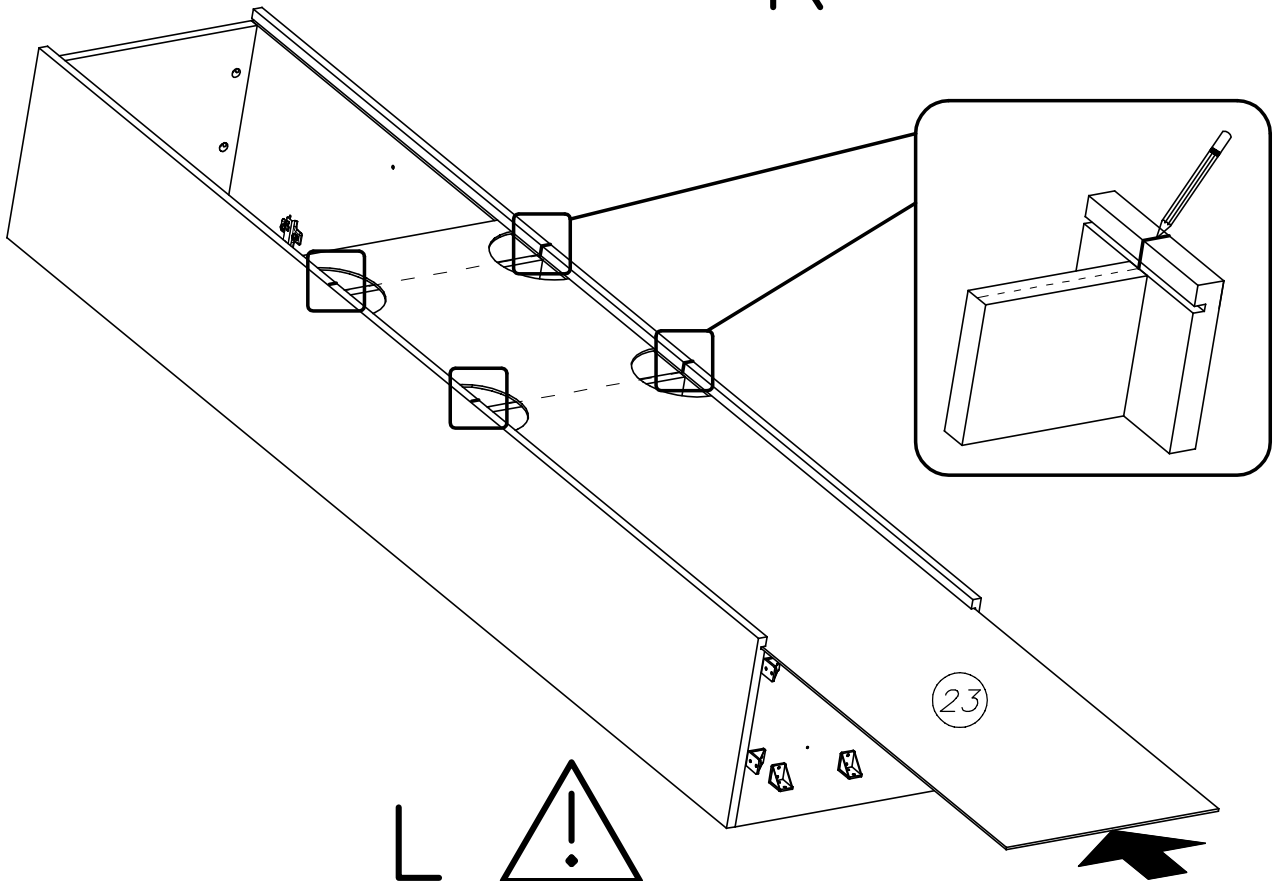




V



R



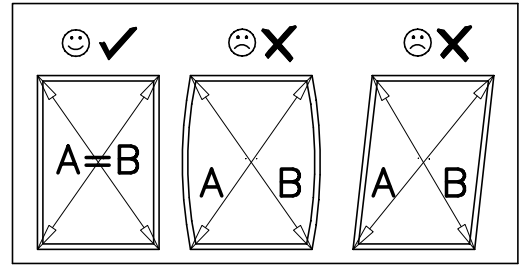
L



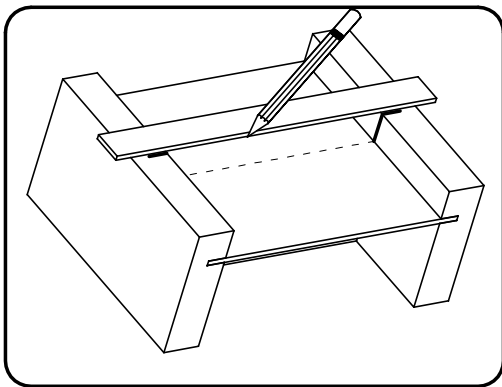
VI

G34

I1

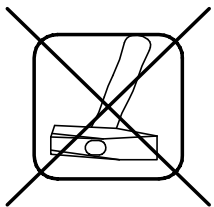


A=B

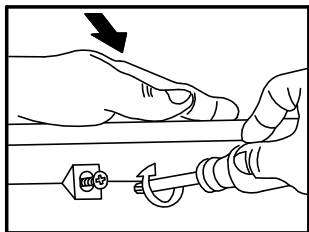


G34

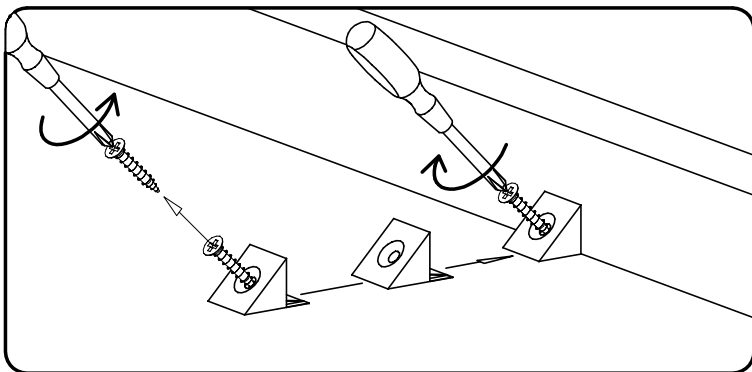
I1



R



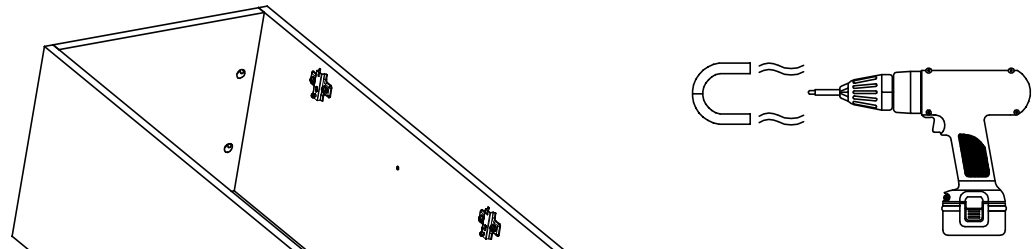
I1



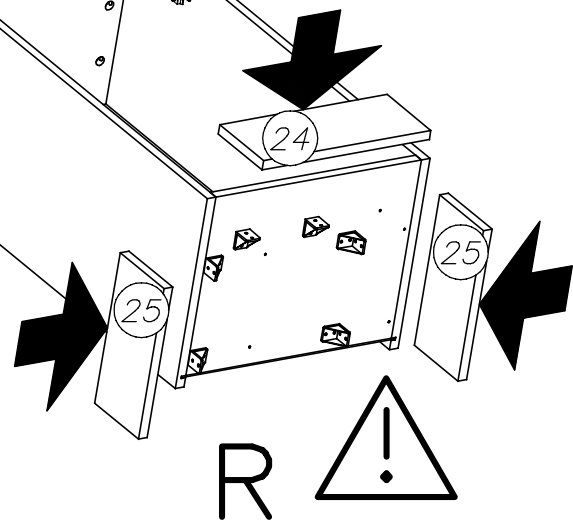
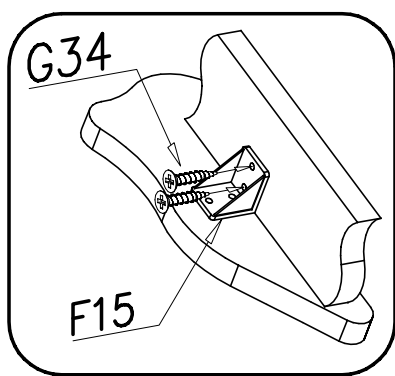
L



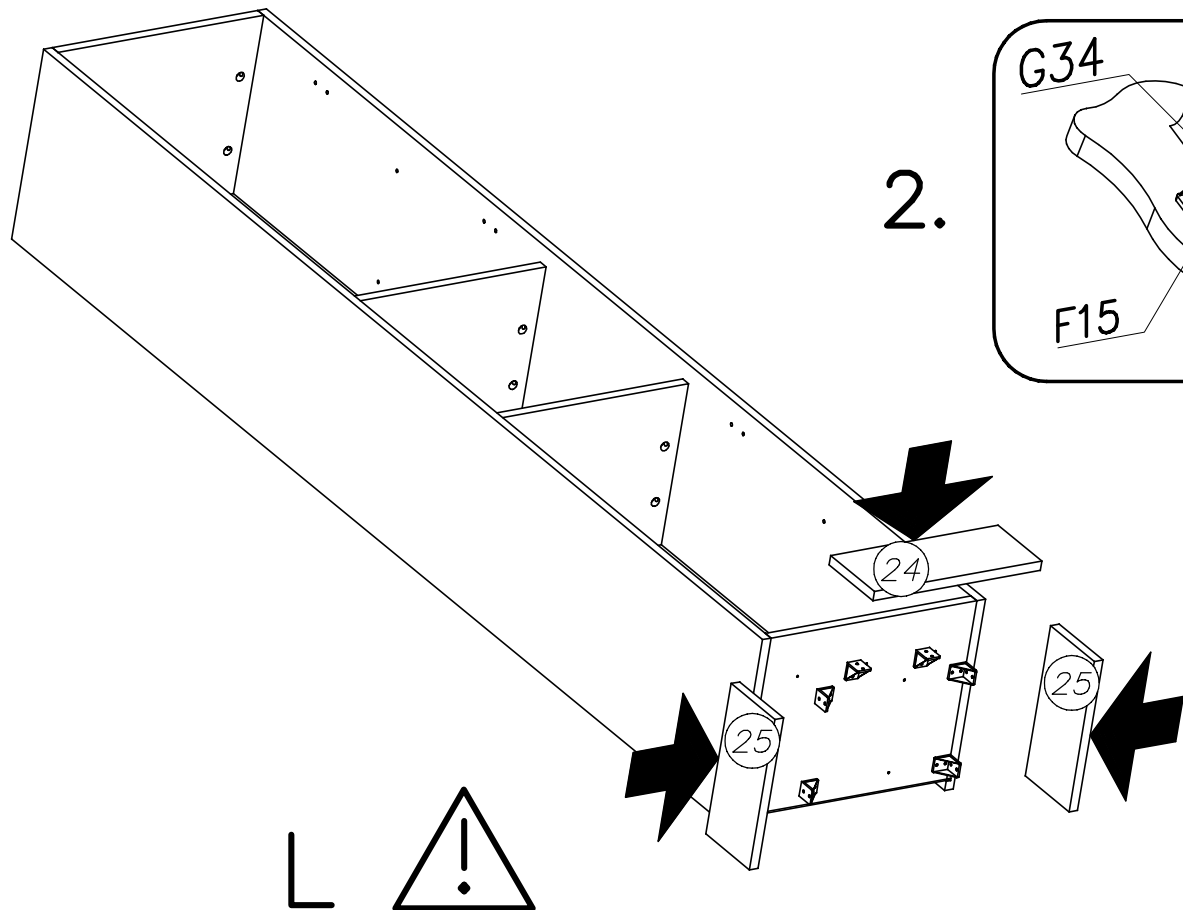
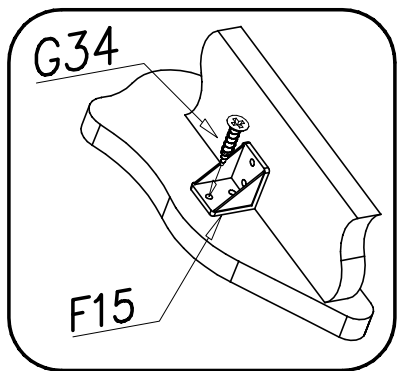
# VII



1.



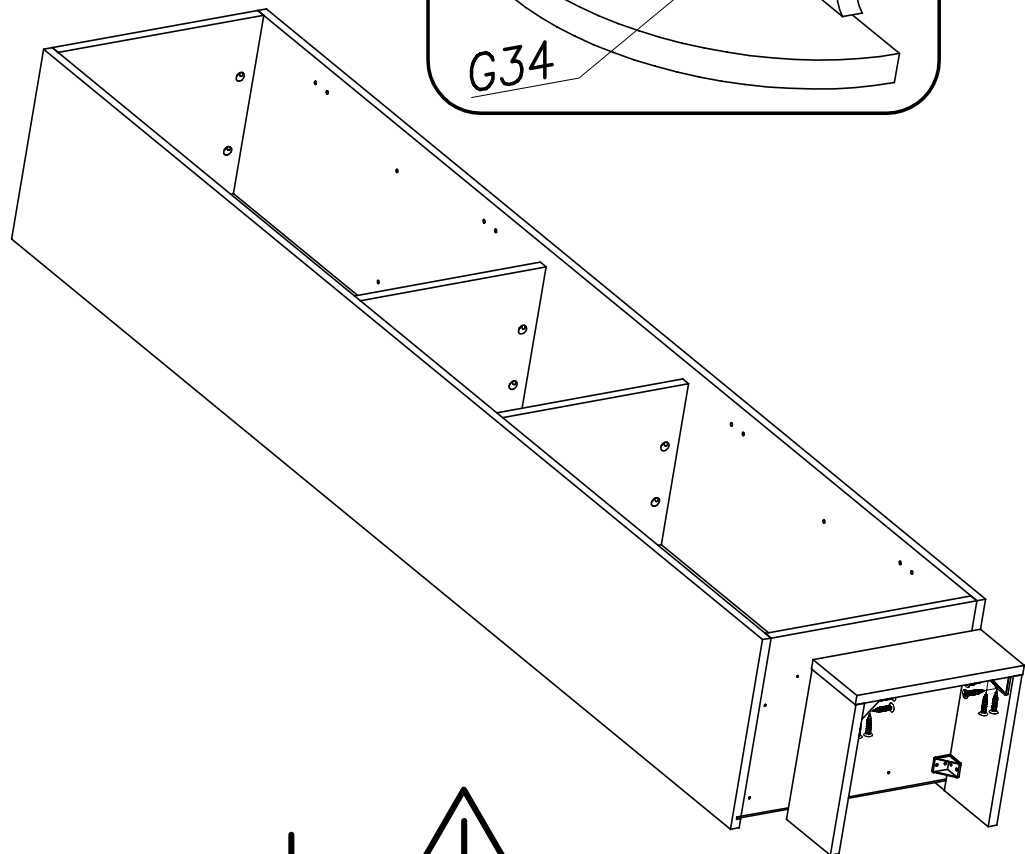
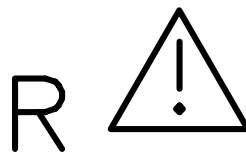
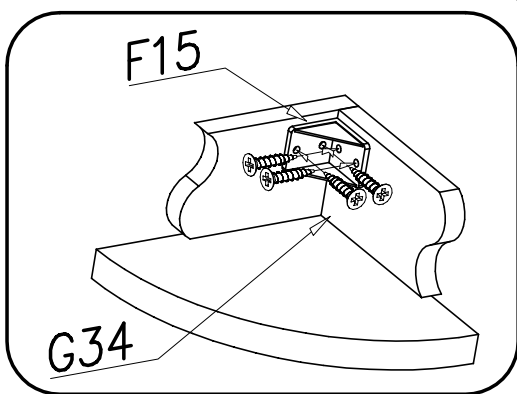
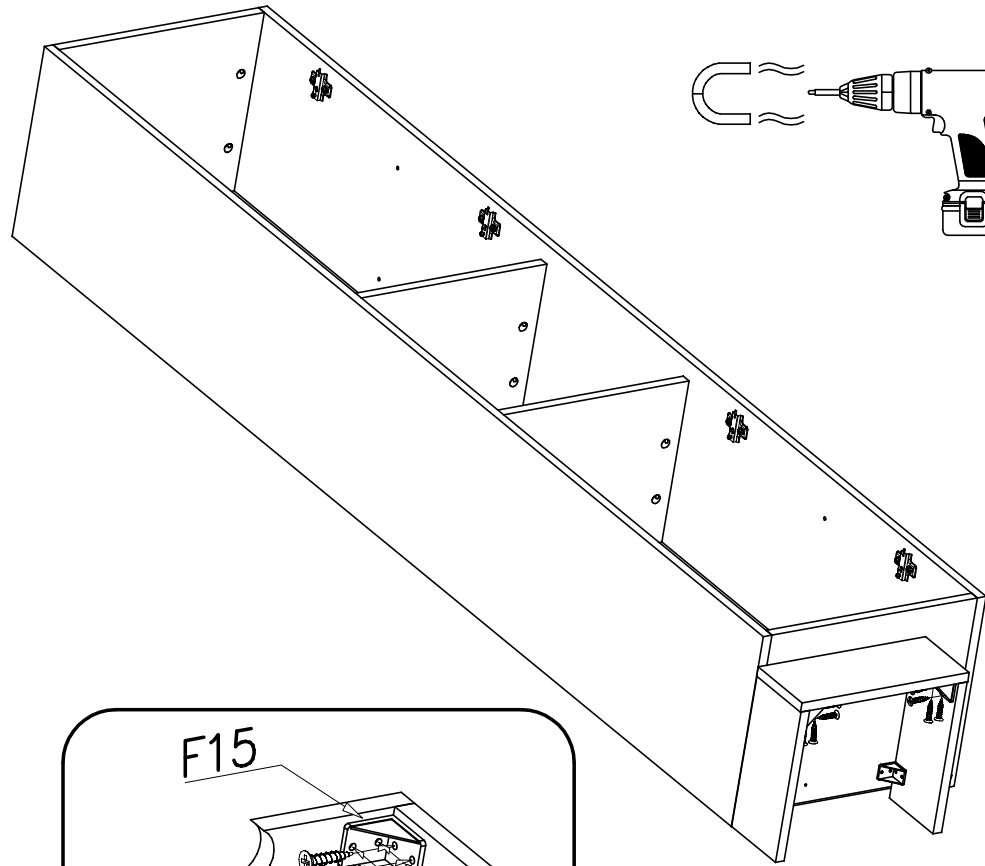
2.





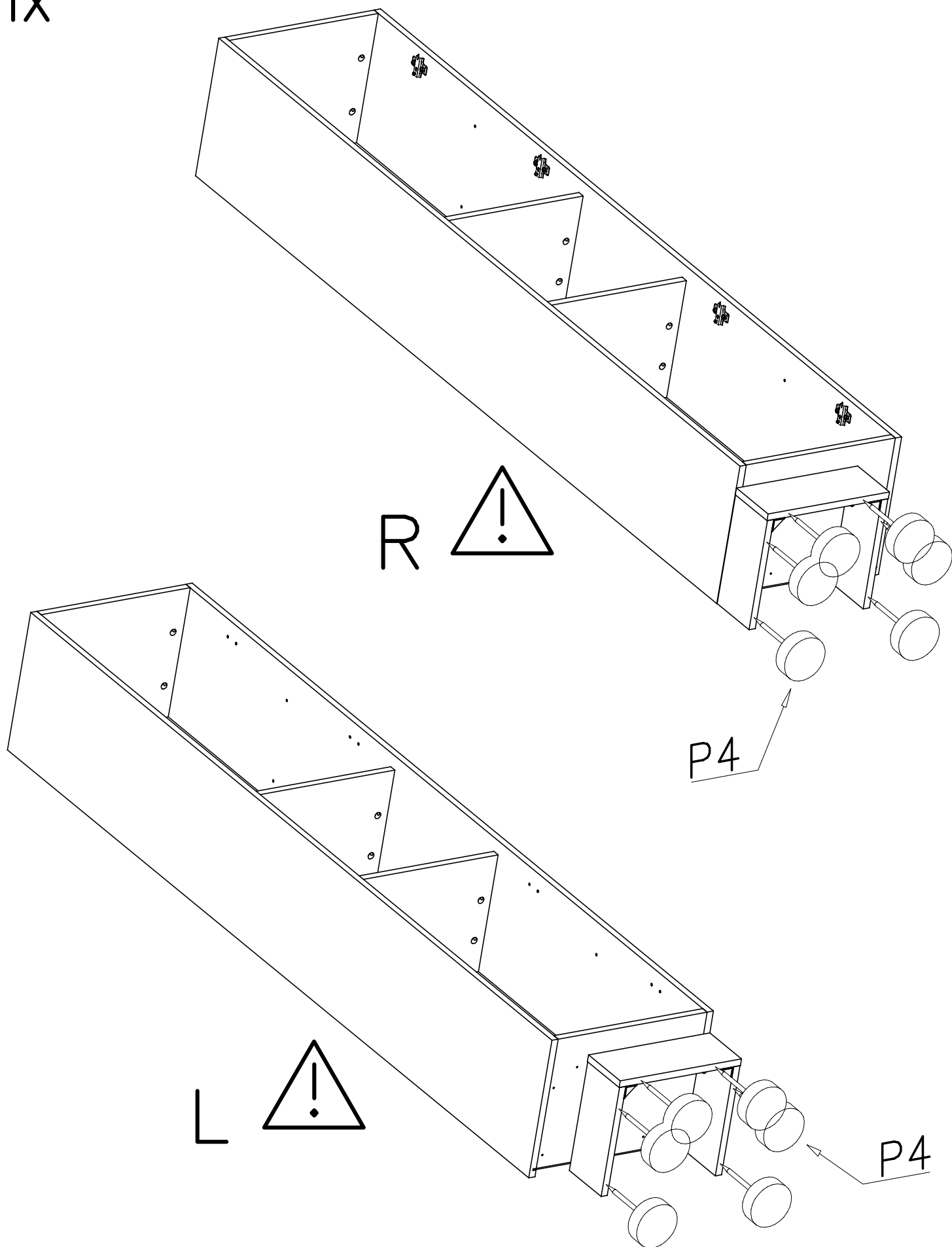


VIII



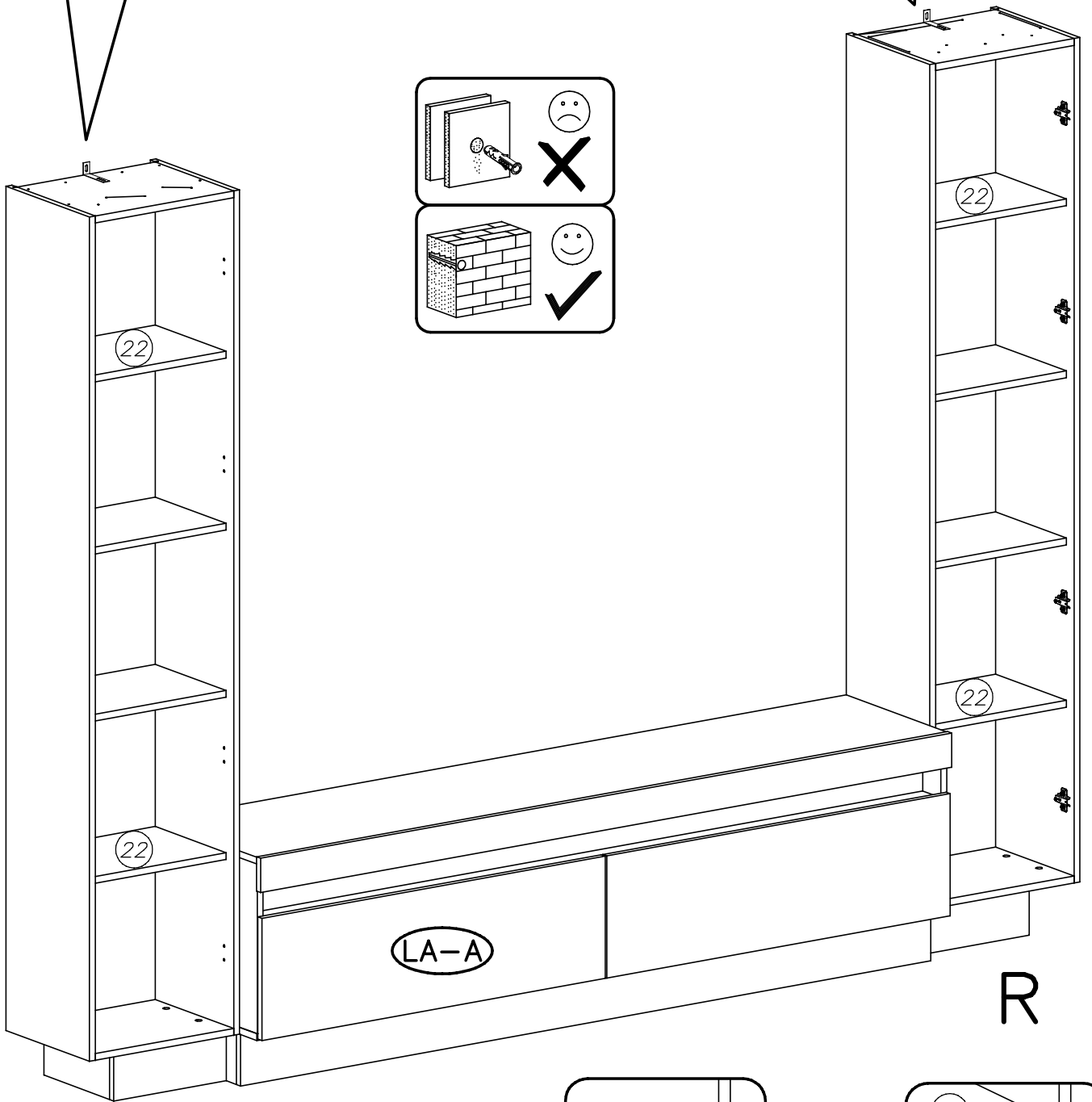
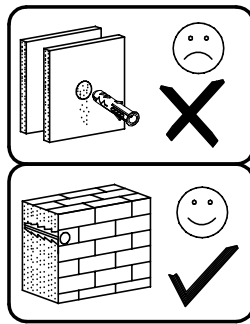
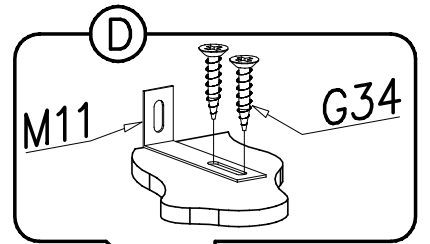
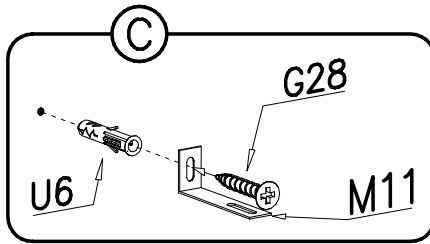
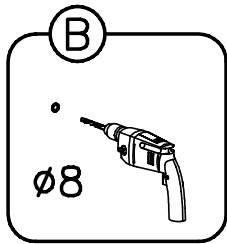
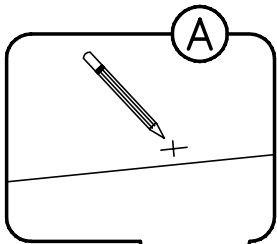


IX



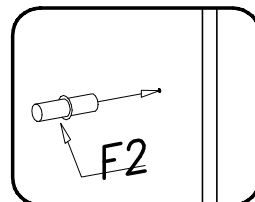


X

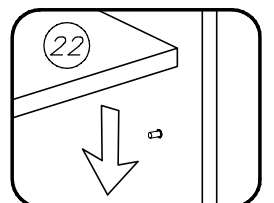


L

1



2

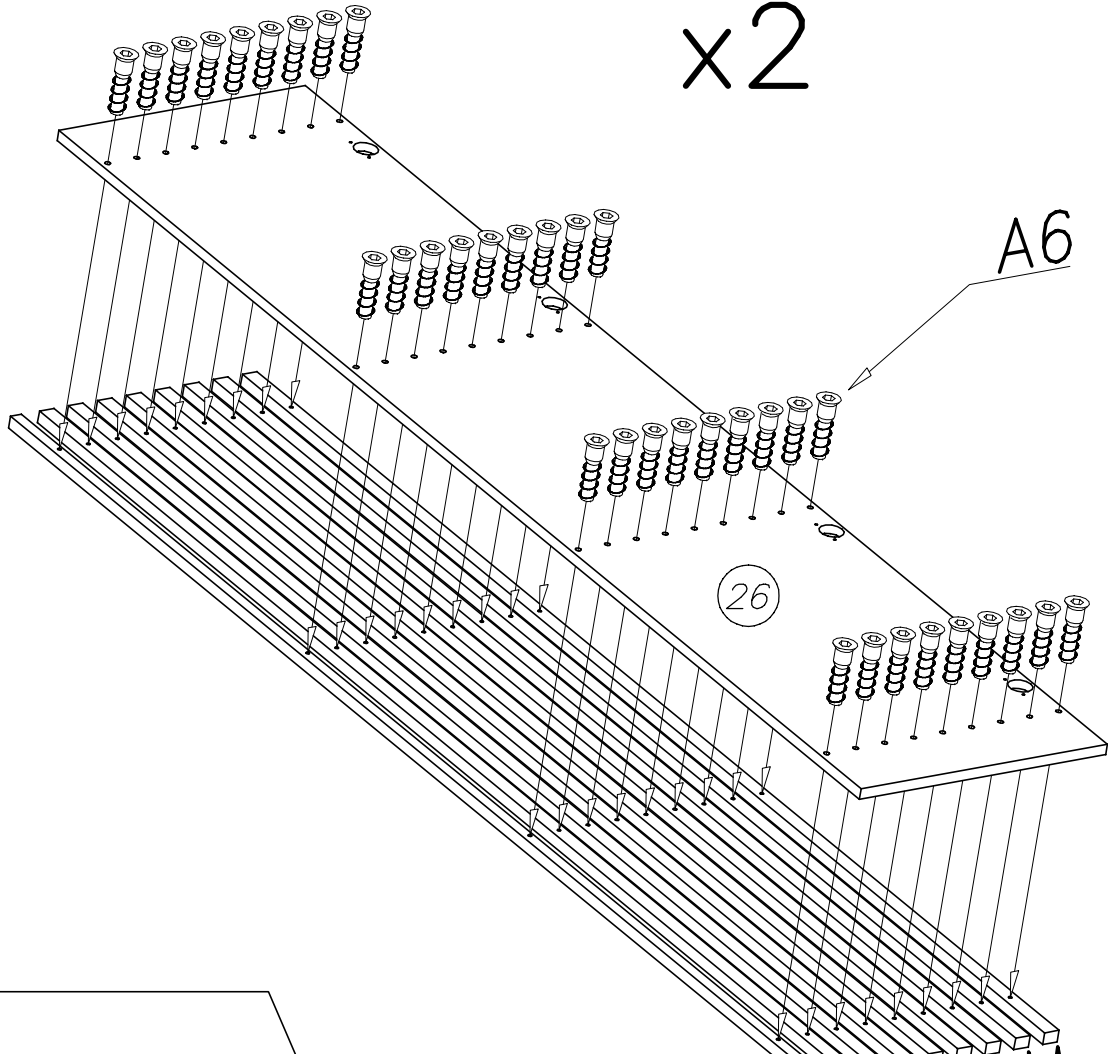


R

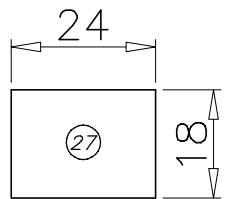
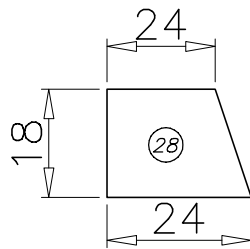
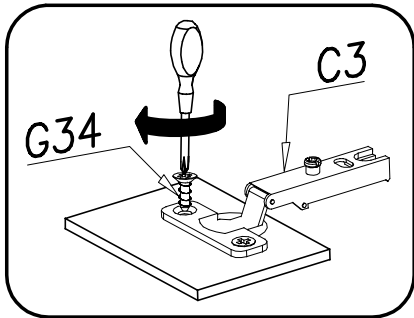


XI

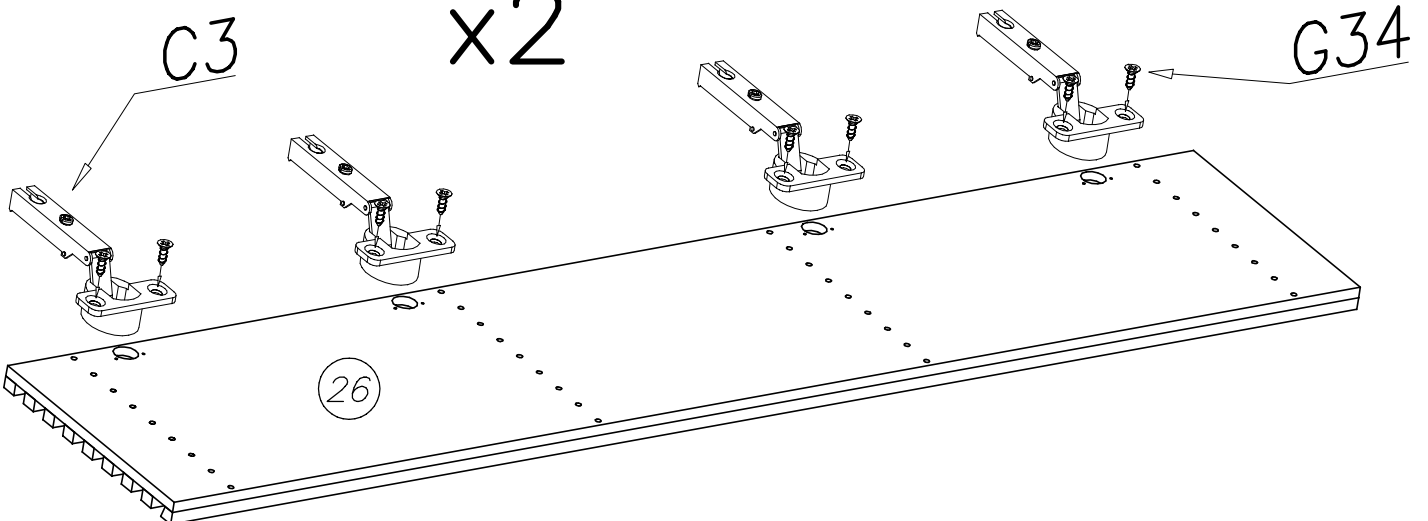
x2



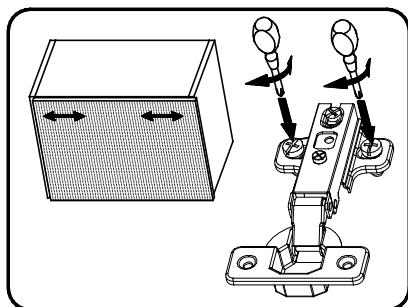
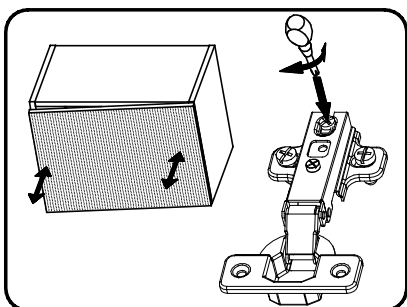
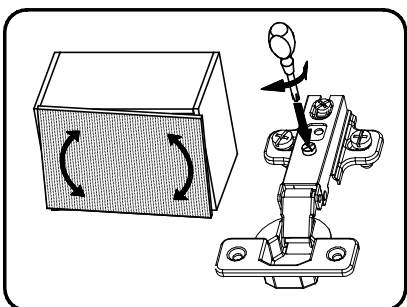
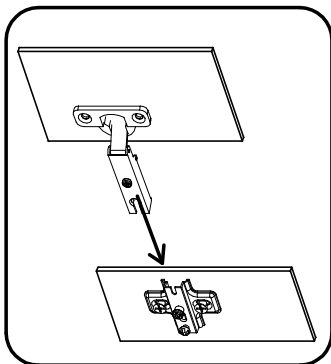
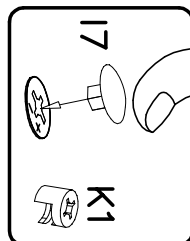
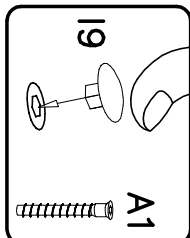
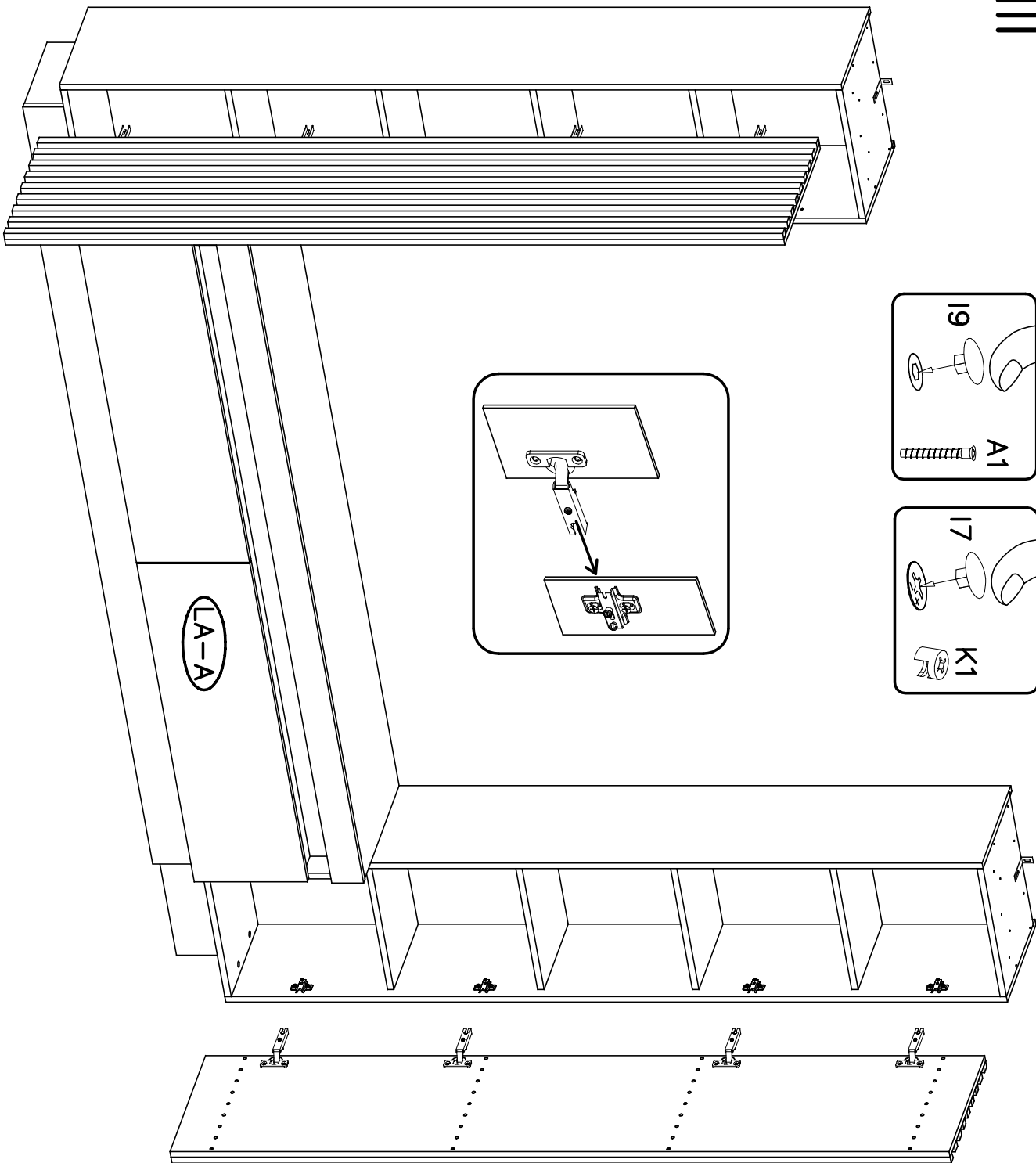
XII

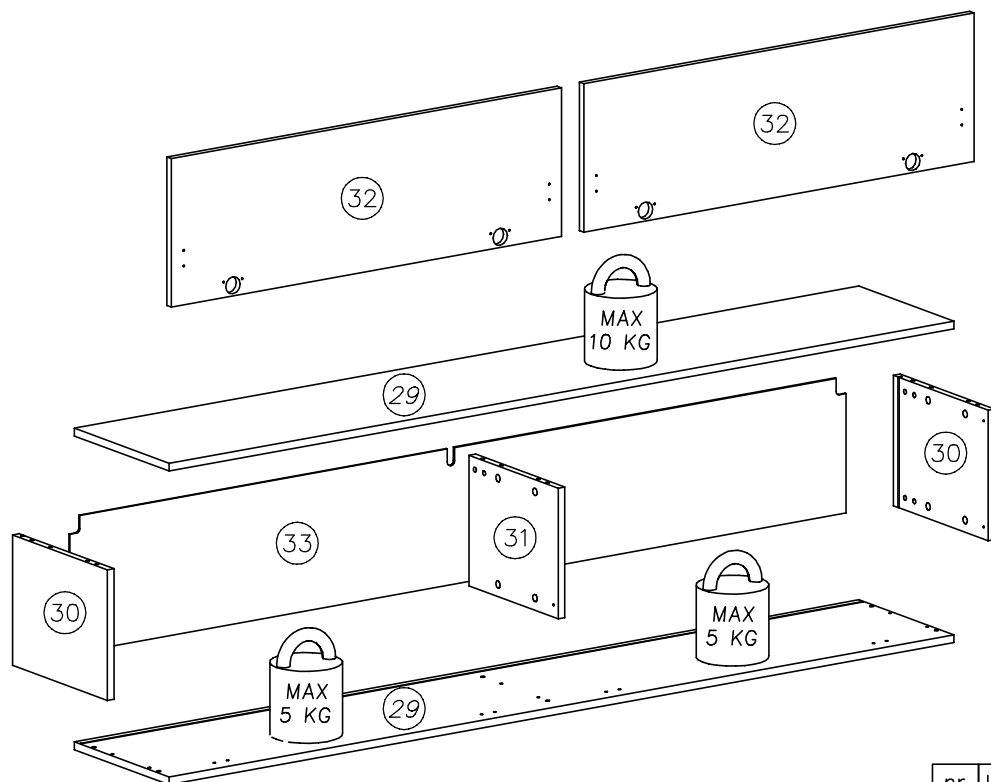
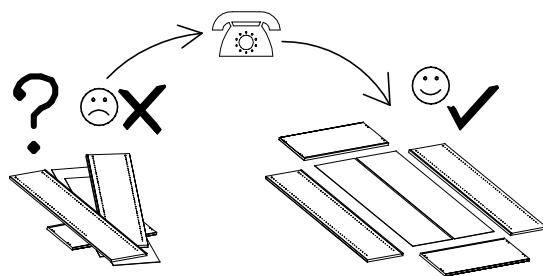
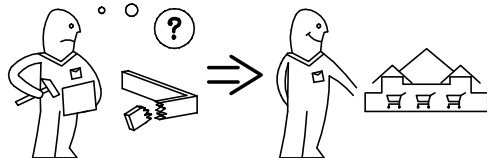
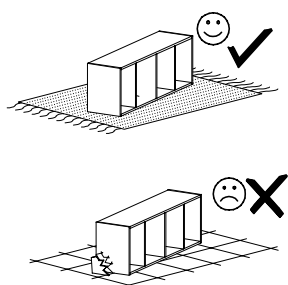


x2



# XIII

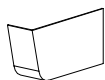
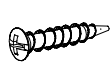
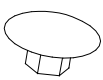
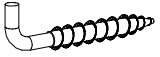
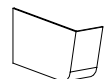
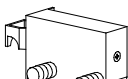
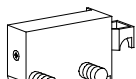
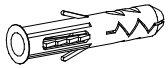
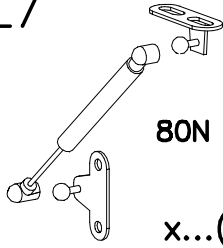

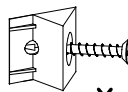
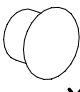

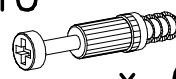

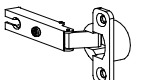
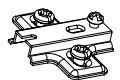



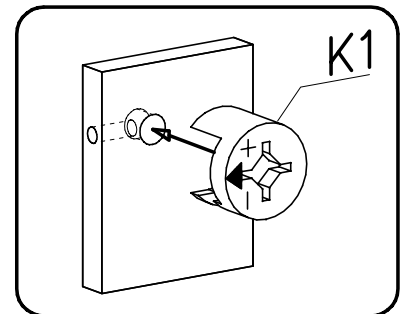
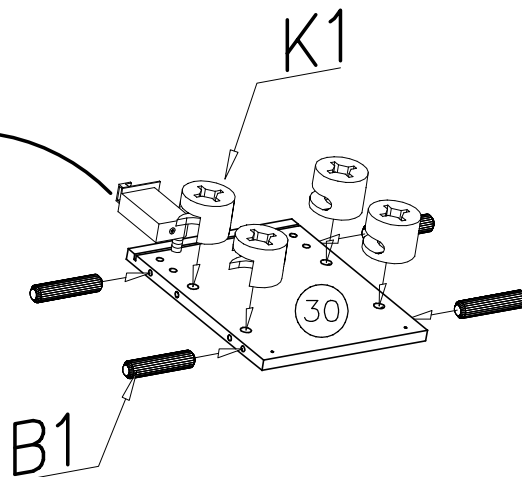
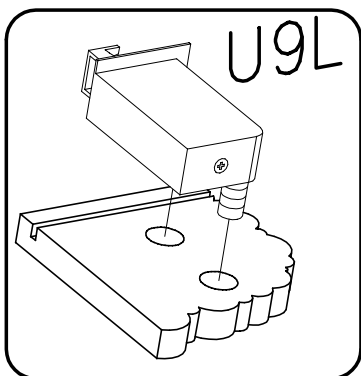
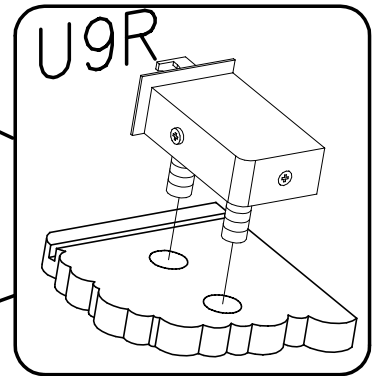
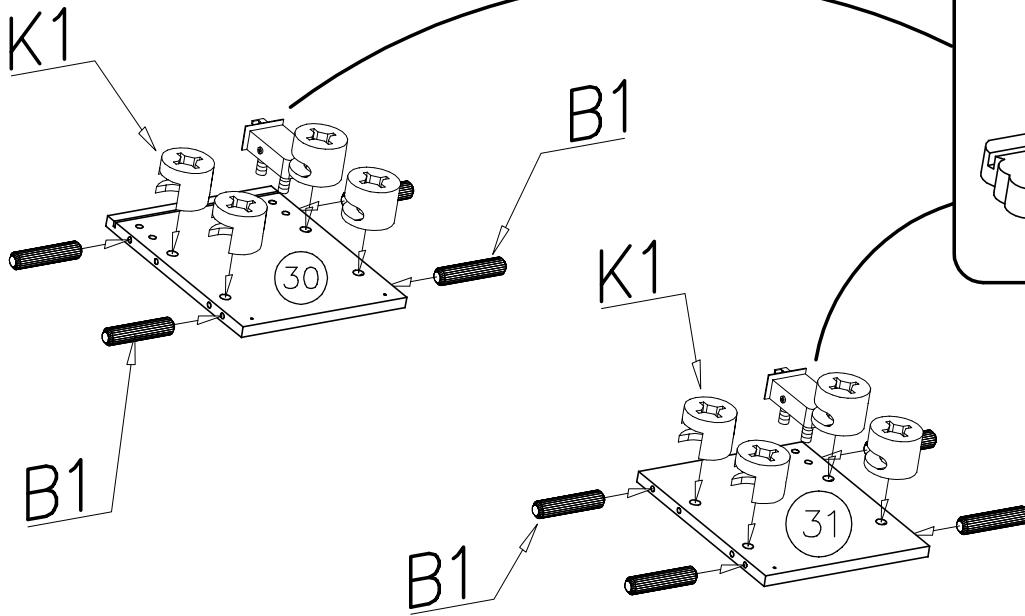
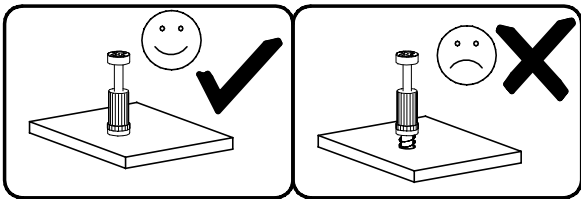
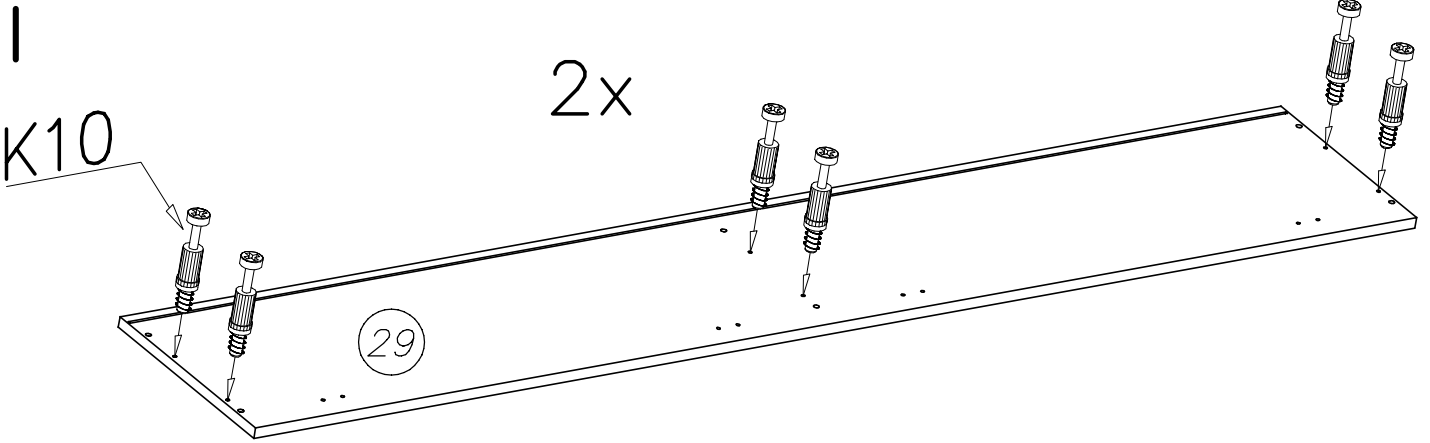
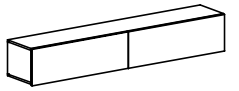


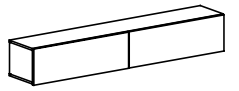
nr	L[mm]	B[mm]	T[mm]	Menge	Colli
29	1900	328	16	2	6/7
30	268	328	16	2	6/7
31	268	308	16	1	6/7
32	945	305	16	2	6/7
33	1879	280	3	1	6/7

Colli 7/7

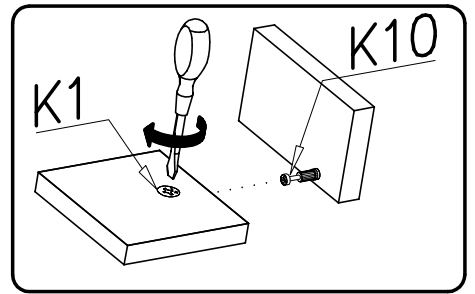
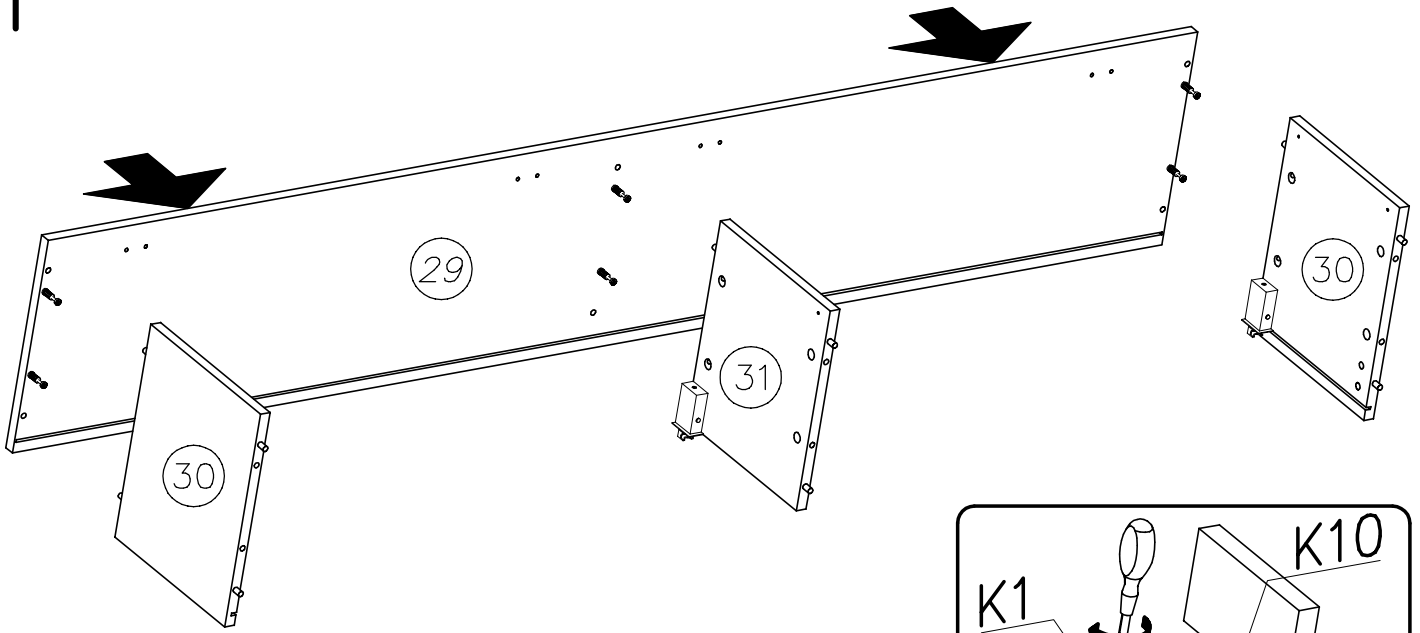


U10L  x...(1)	G32  3,5x16 x...(16)	I7  ø18 x...(12)	U7  x...(3)	
U10R  x...(2)	U9L  x...(1)	U9R  x...(2)	U8  ø10x60 x...(3)	L7  80N x...(4)
K1  ø15x12 x...(12)	I1  x...(10)	I10  ø10 x...(4)	G34  3,5x16 x...(11)	
K10  x...(12)	B1  ø8x35 x...(12)	C3  Z35PR x...(4)	D3  PZ35PR x...(4)	I4  ø5 x...(8)

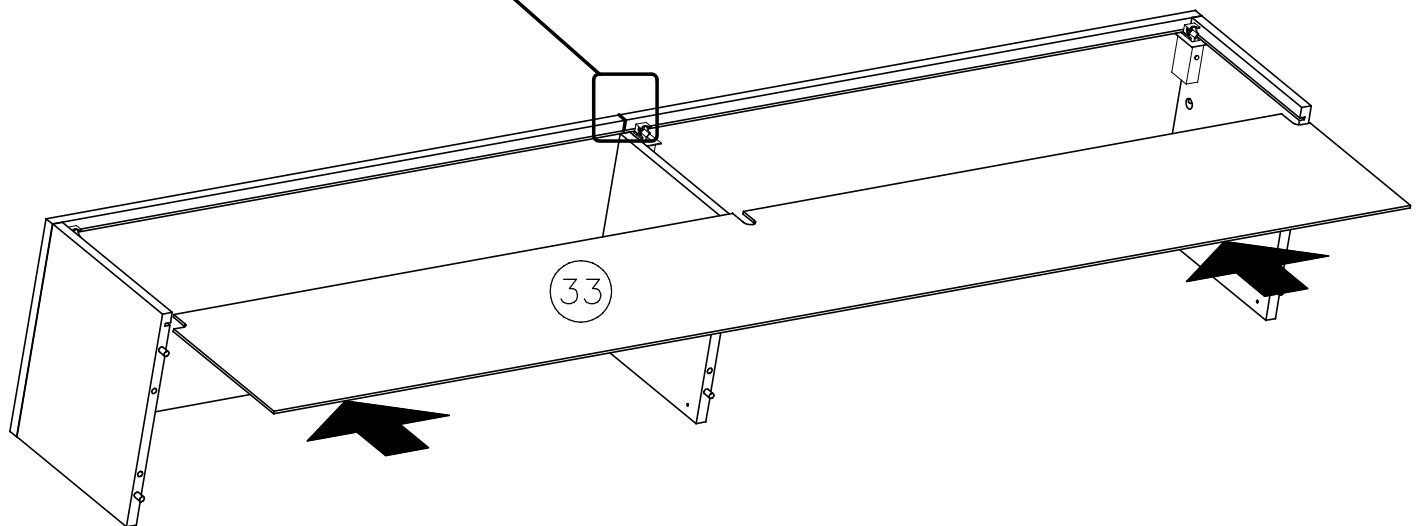
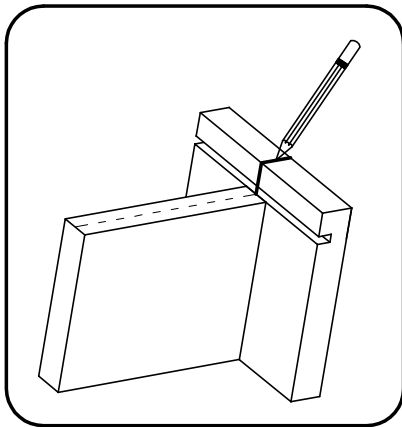




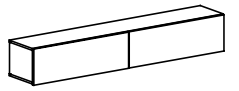
II



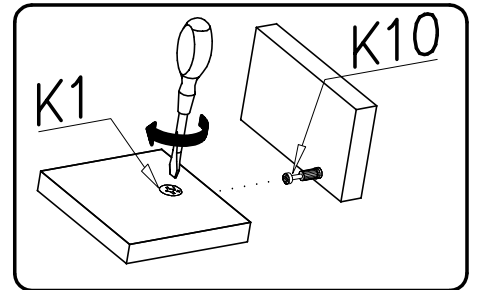
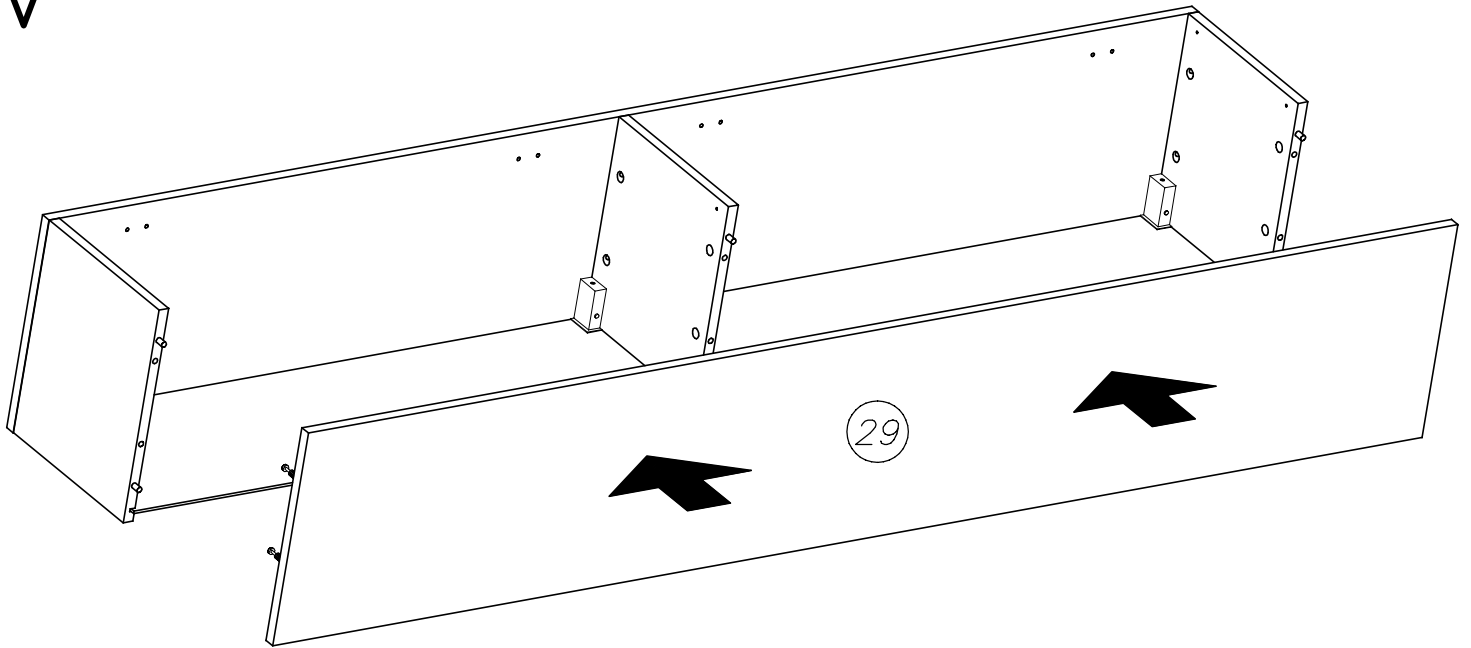
III



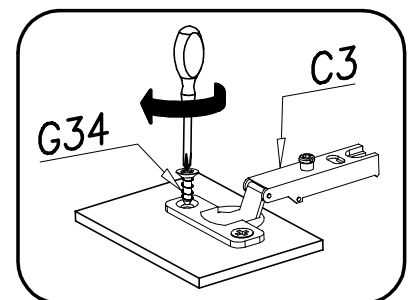
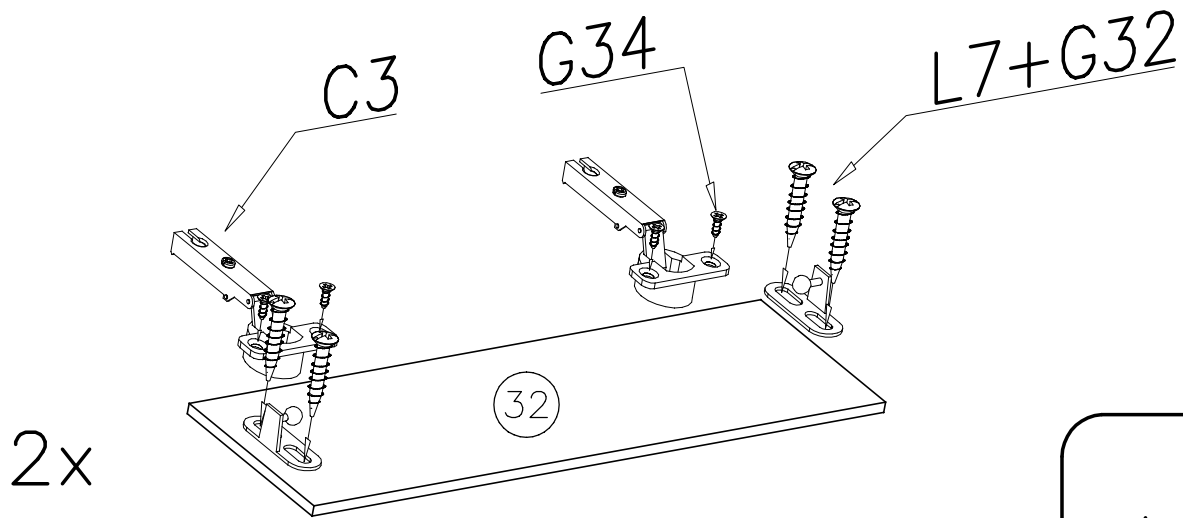


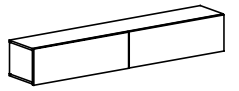


IV

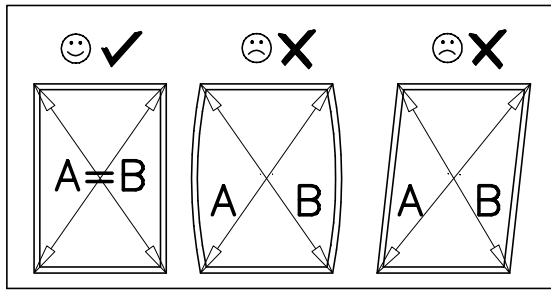


V

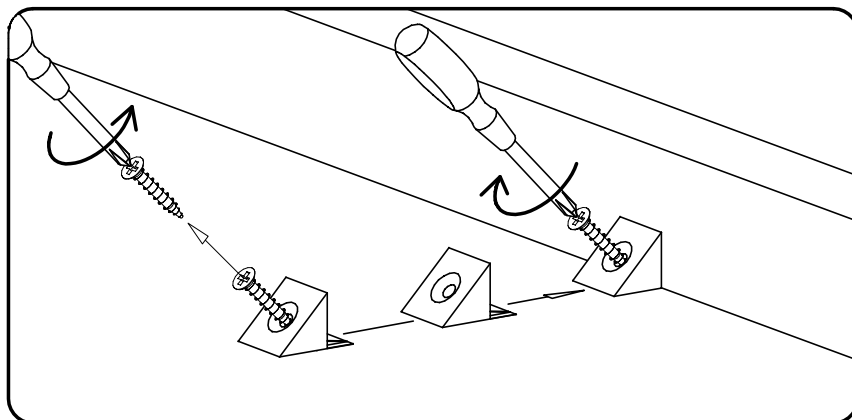
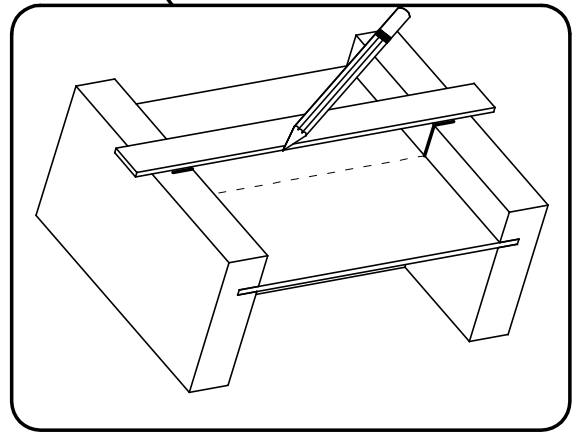
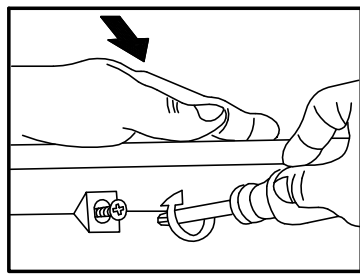
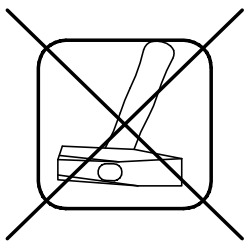
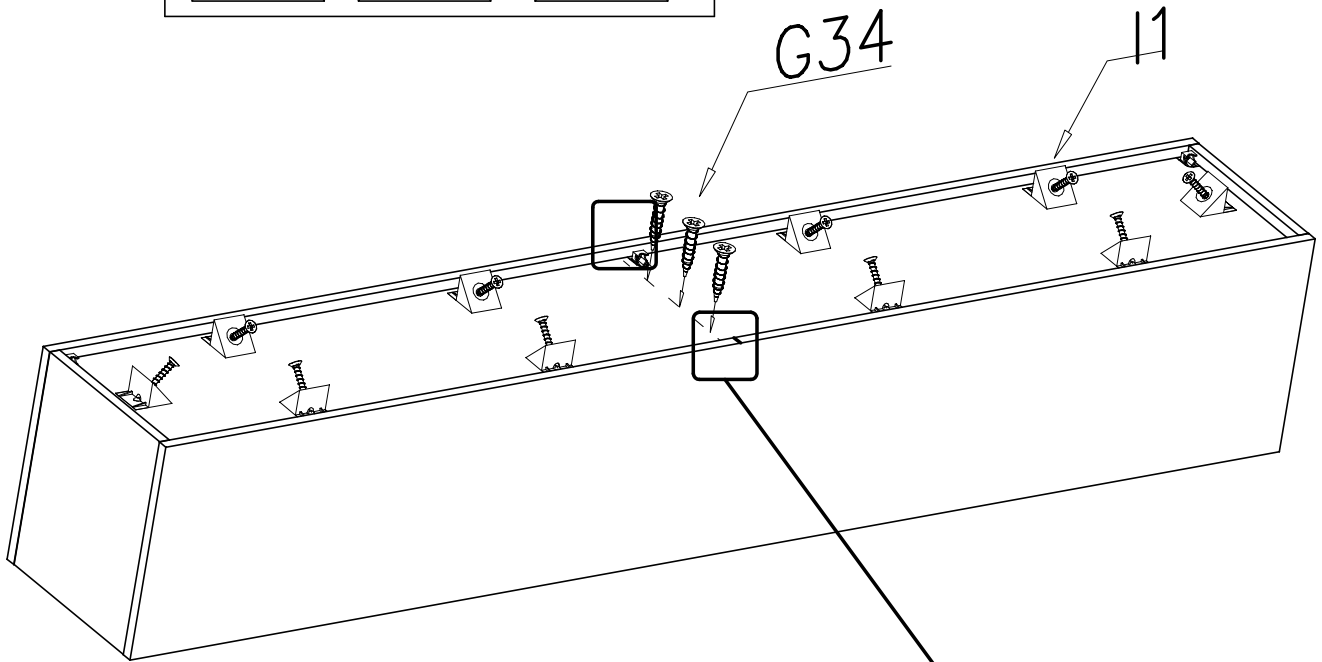


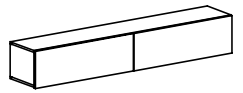


VI

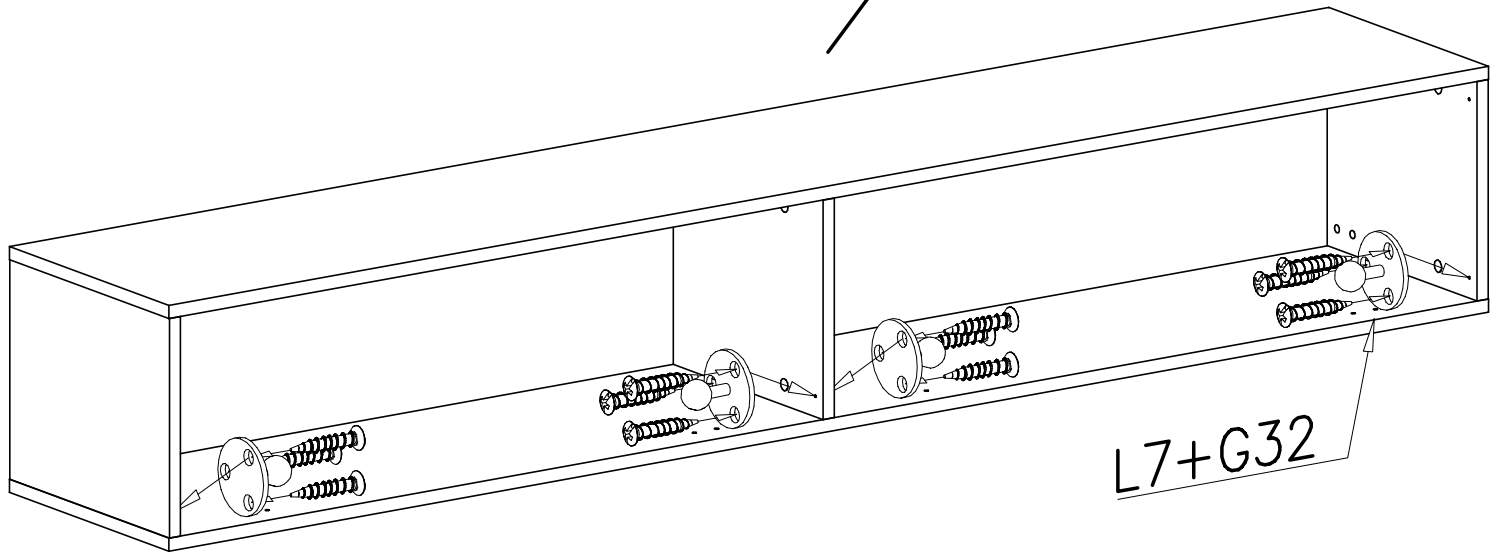
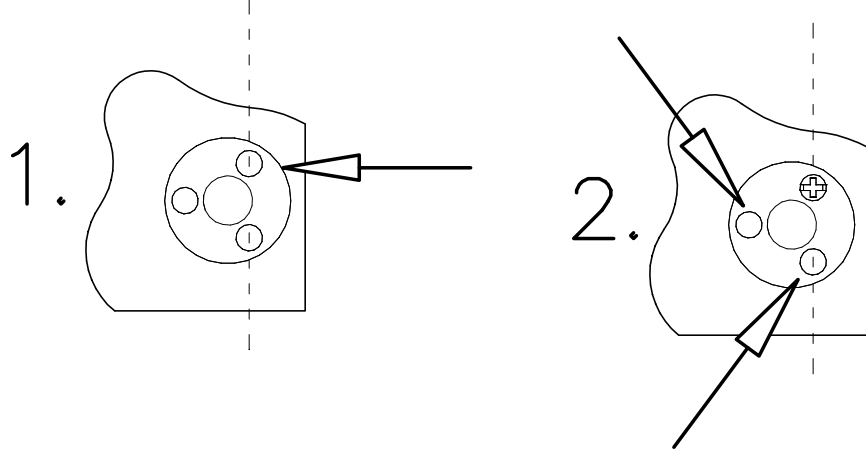


A=B

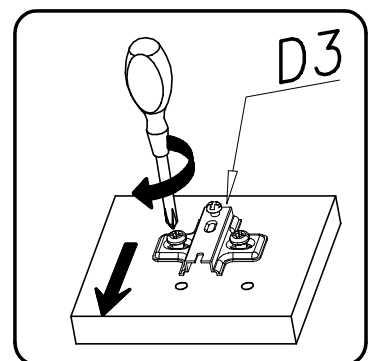
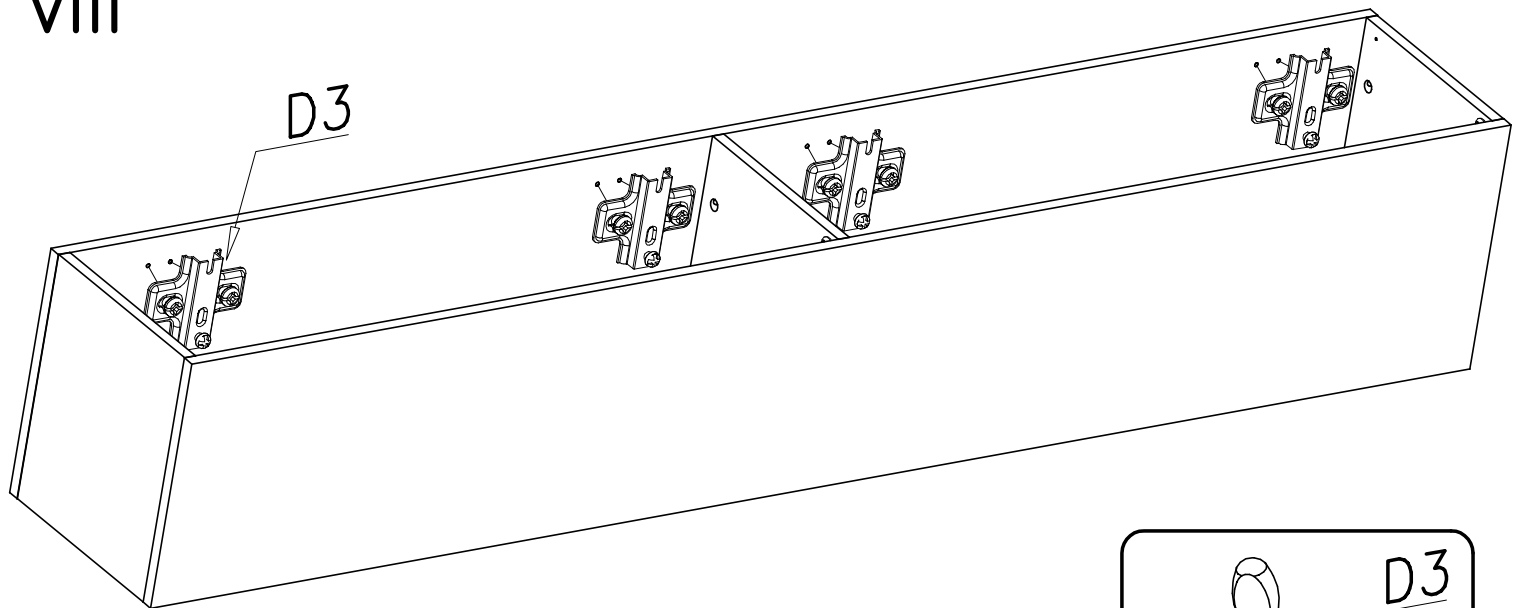


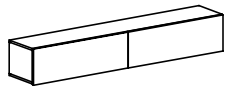


VII

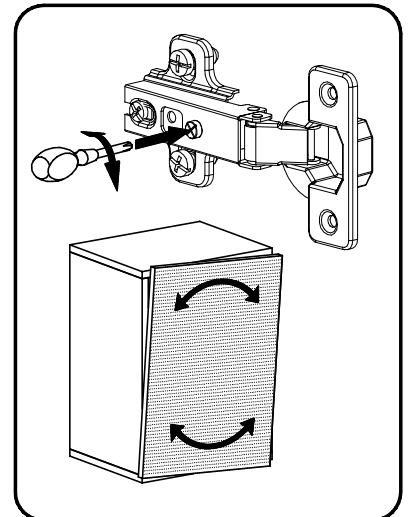
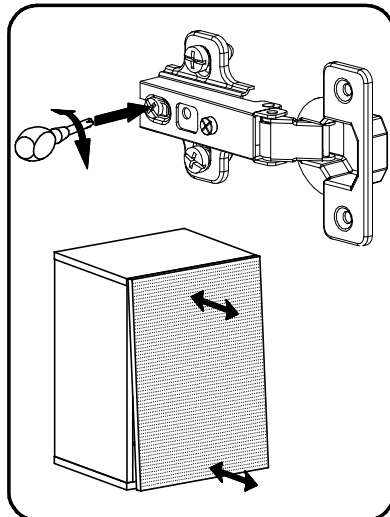
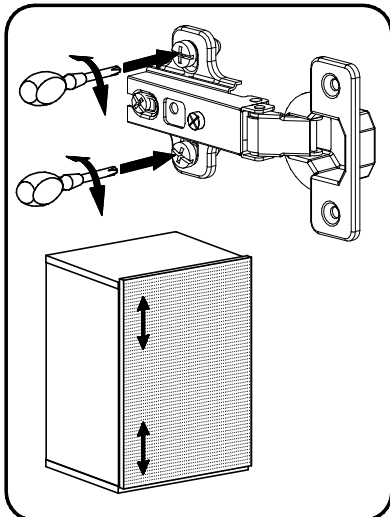
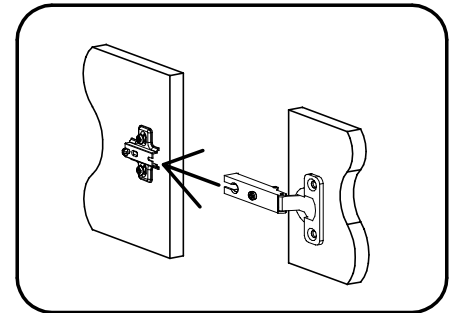
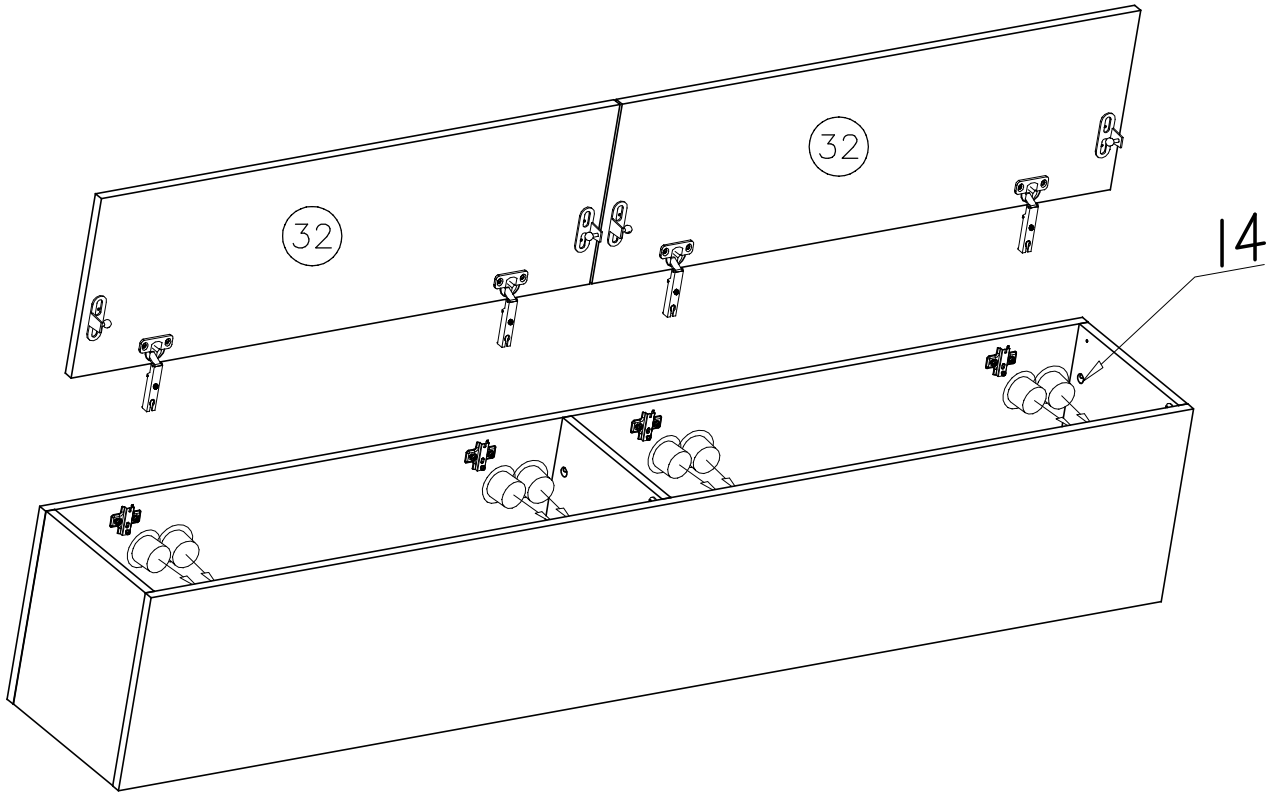


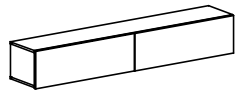
VIII



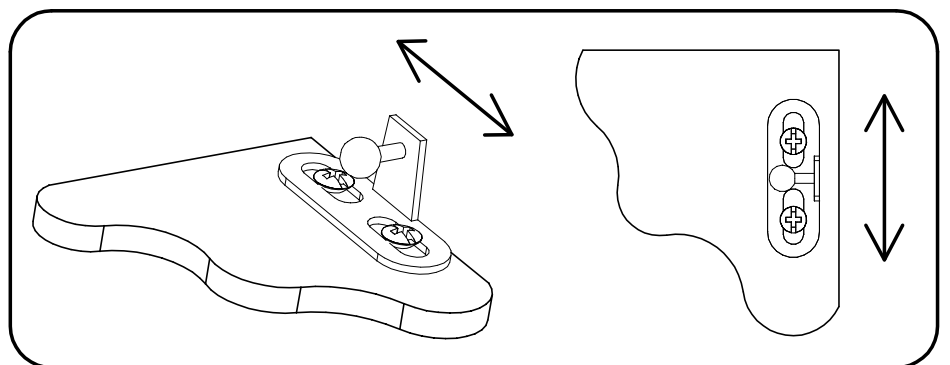
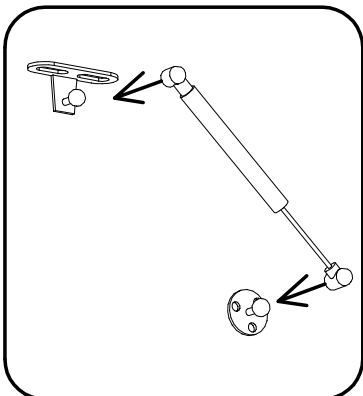
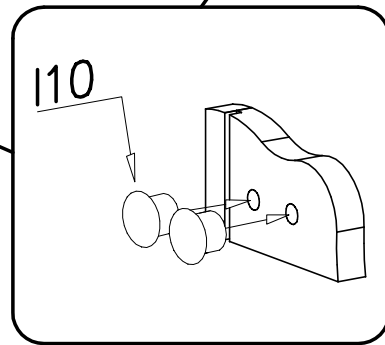
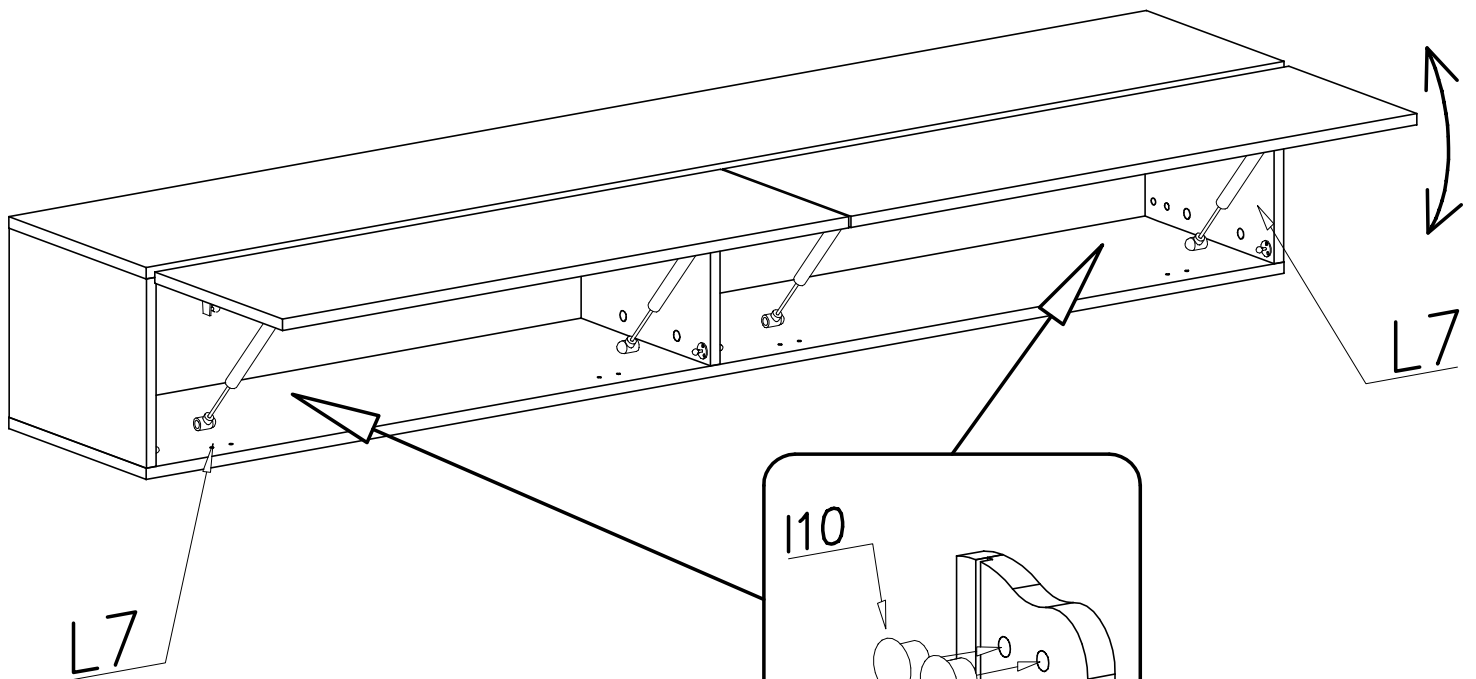
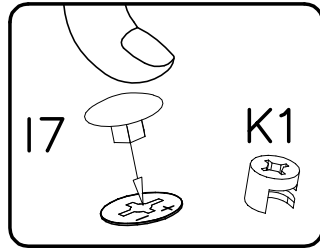


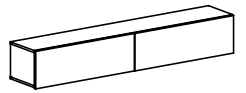
# IX





X





# XI

