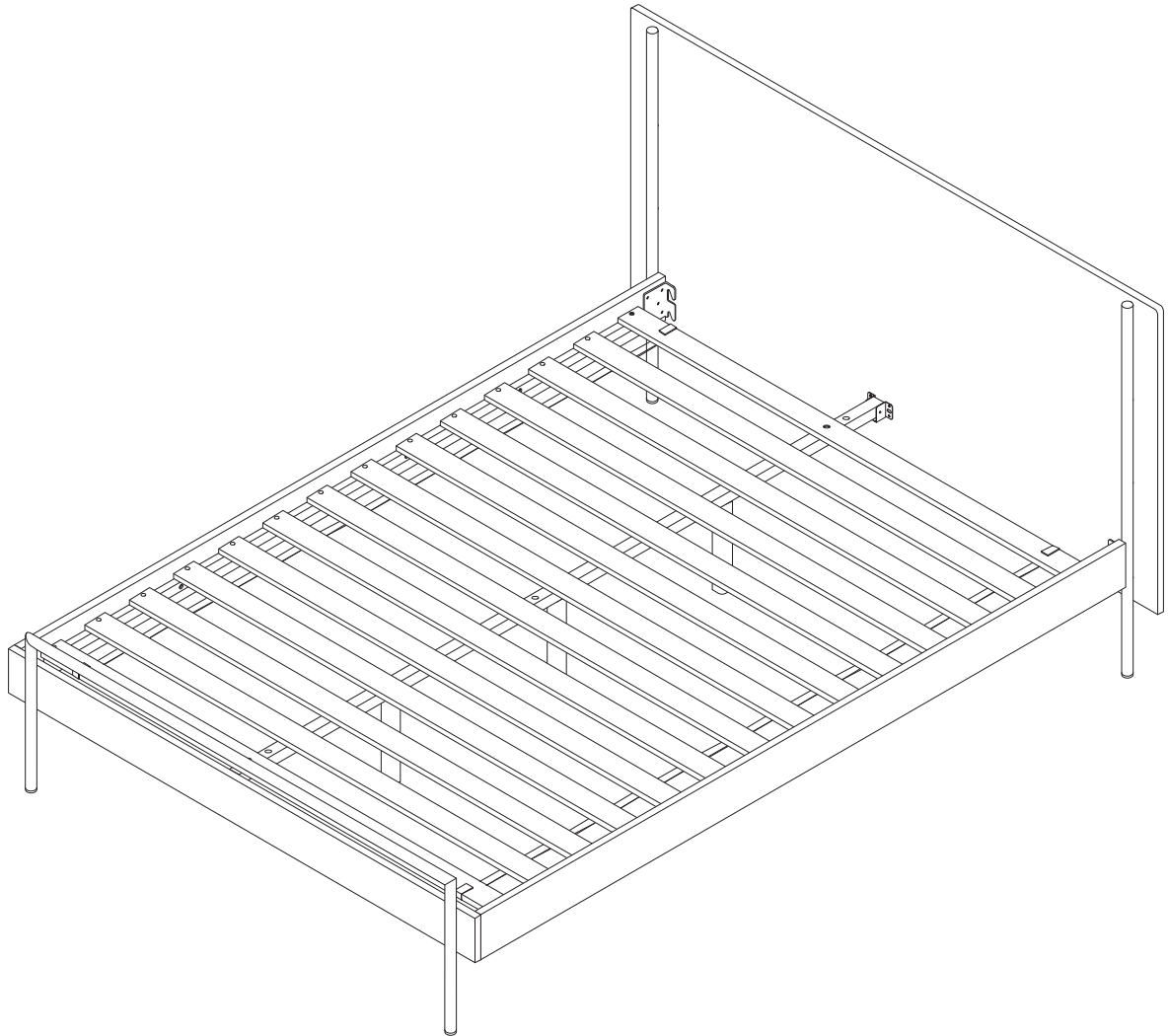
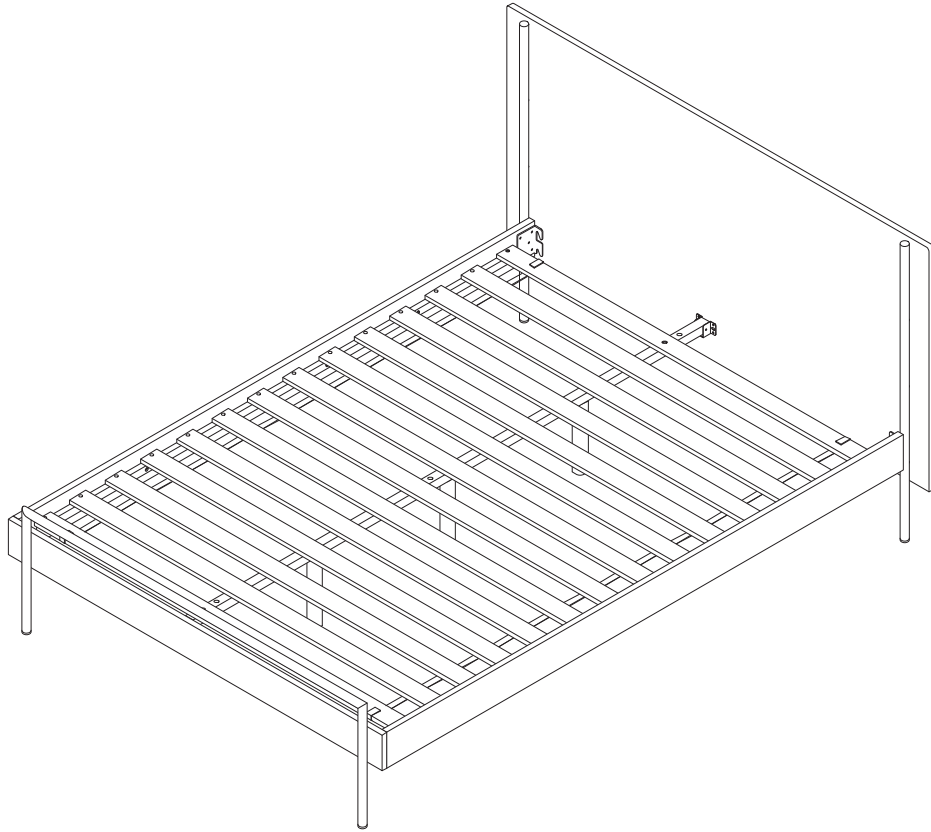
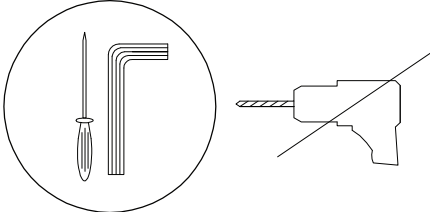

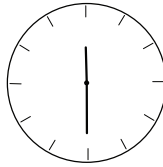
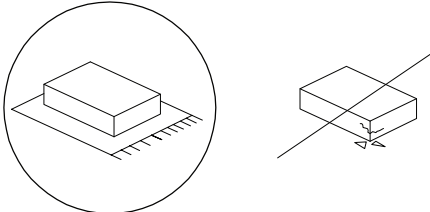


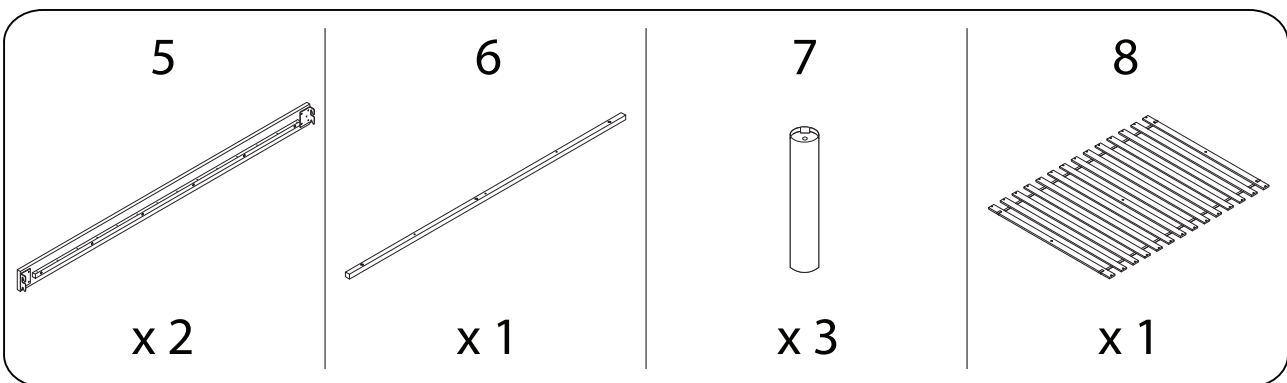
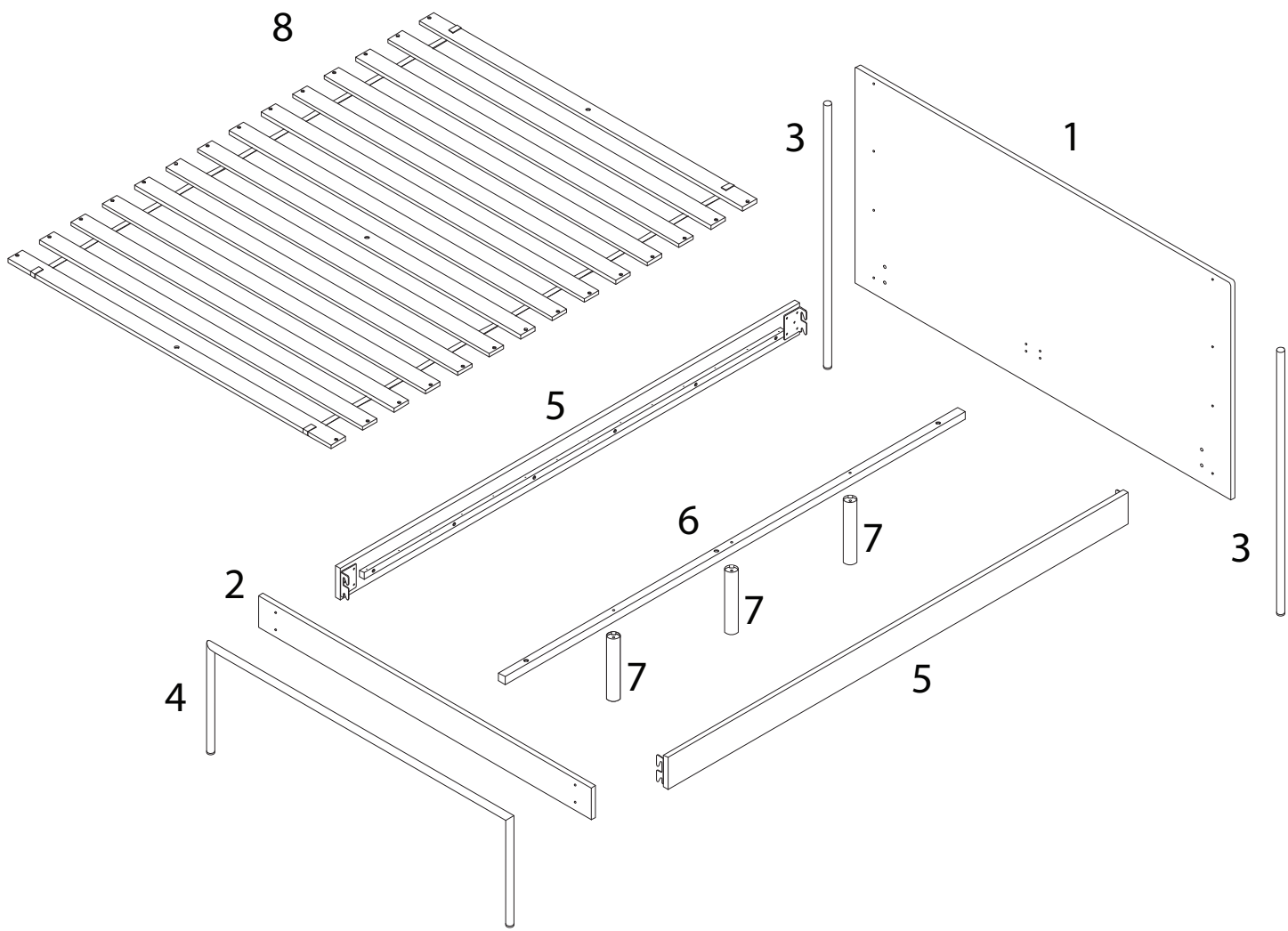
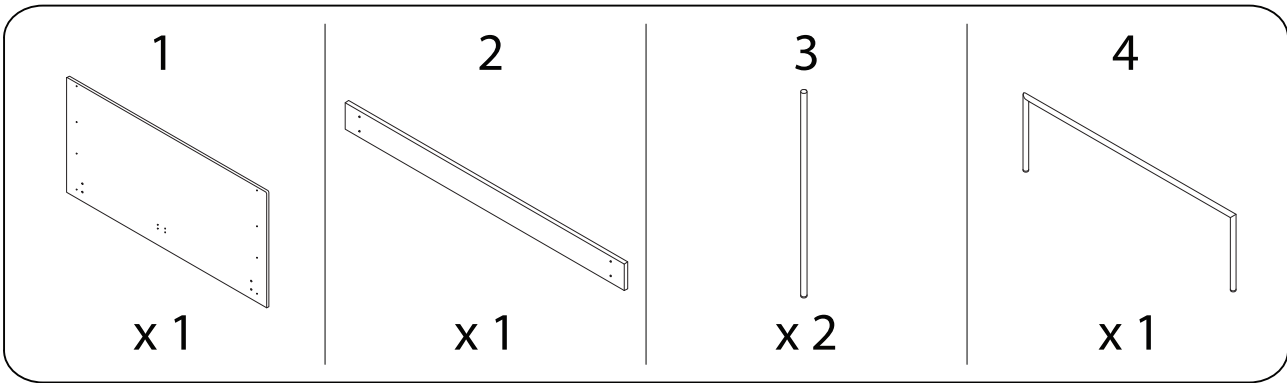


# LIBERMONT

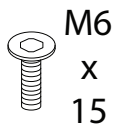




		
		<p>30'</p>
		
		<p>2</p>



A



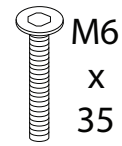
x 8

B



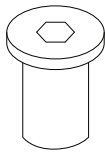
x 3

C



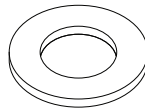
x 12

D



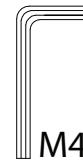
x 4

E



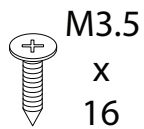
x 8

F



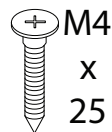
x 2

G



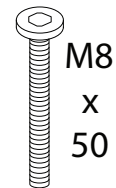
x 12

H



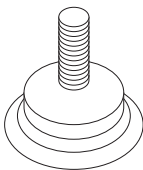
x 28

I



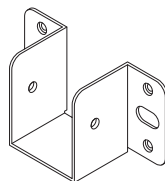
x 3

J



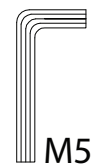
x 3

K



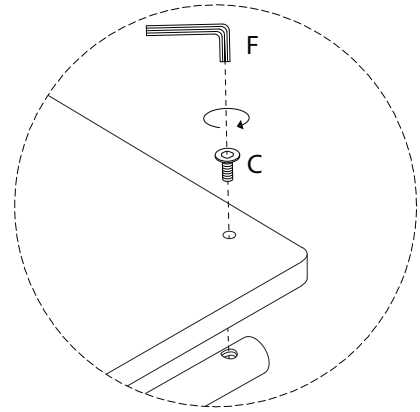
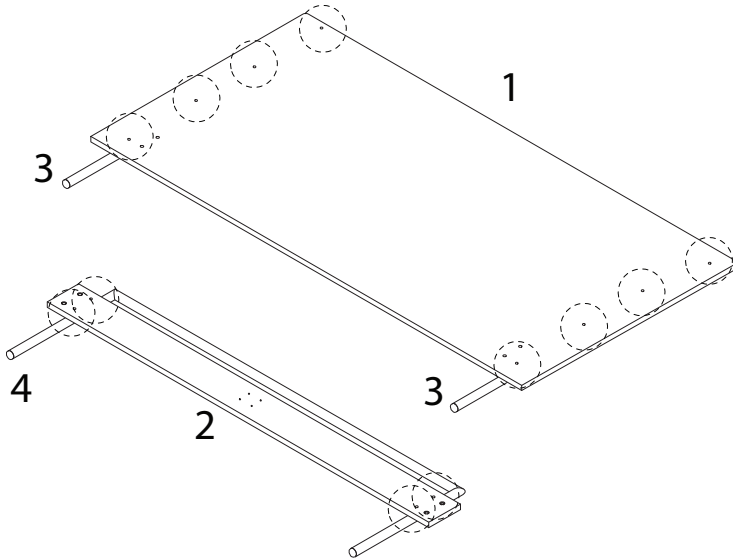
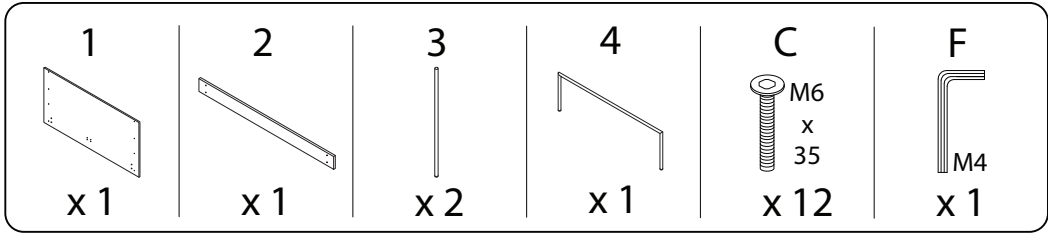
x 2

L

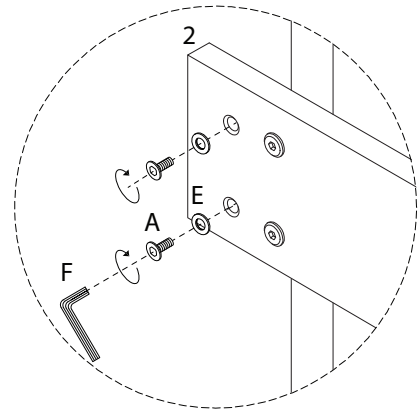
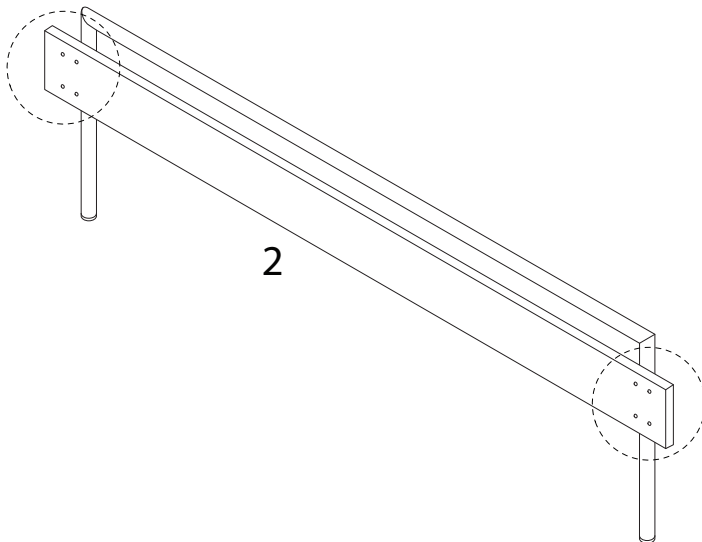
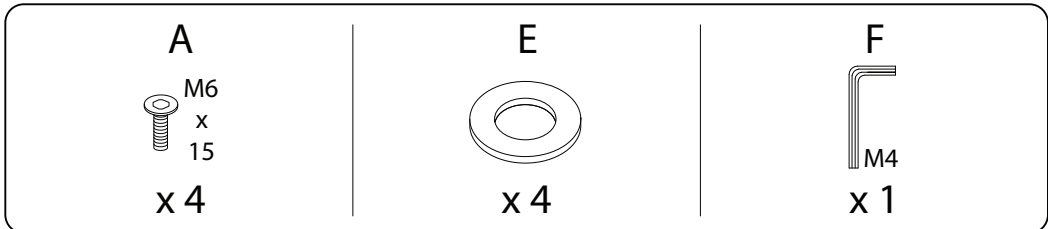


x 1

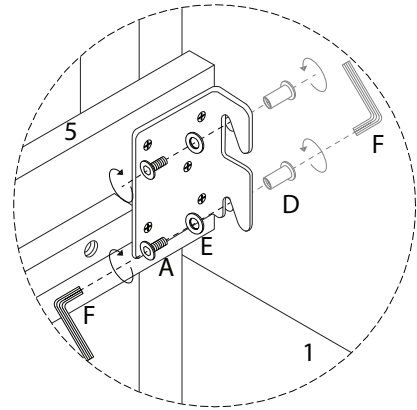
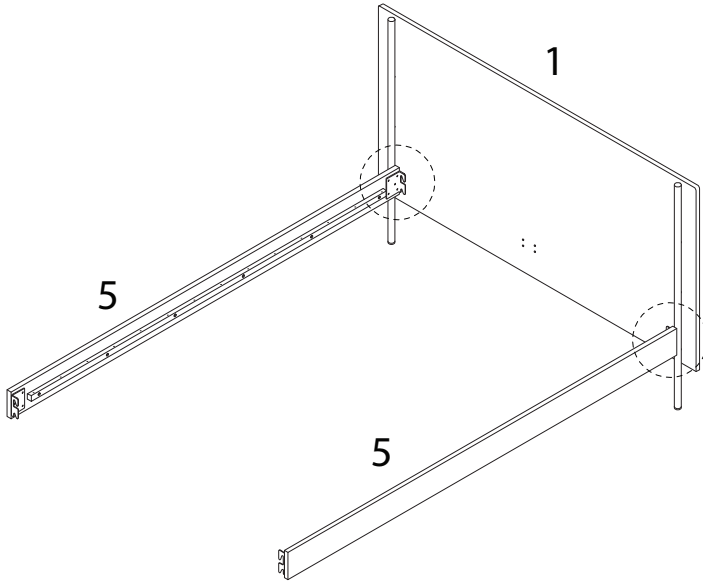
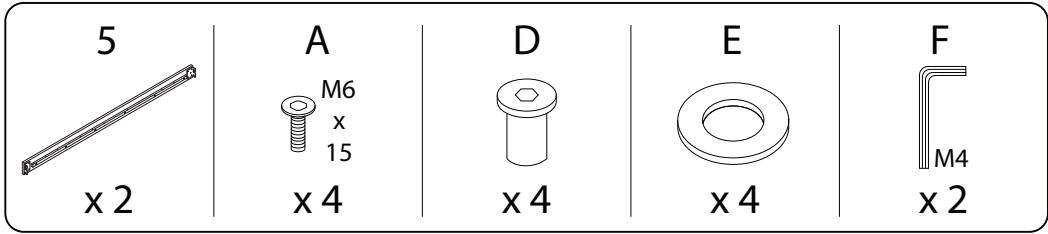
1



2



3

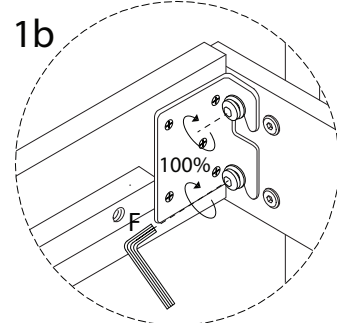
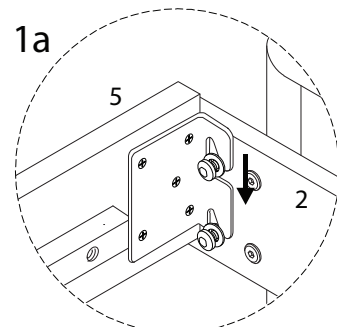
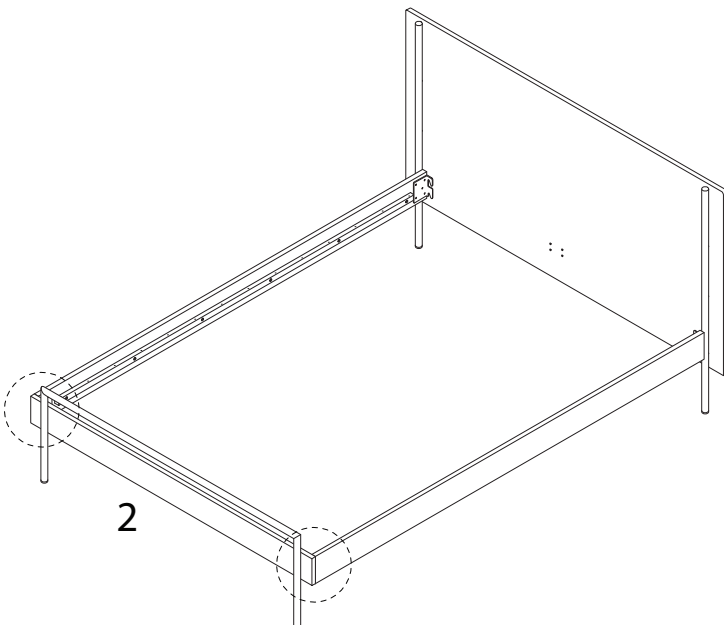


4

F

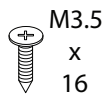
M4

x 1



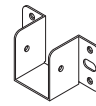
5

G

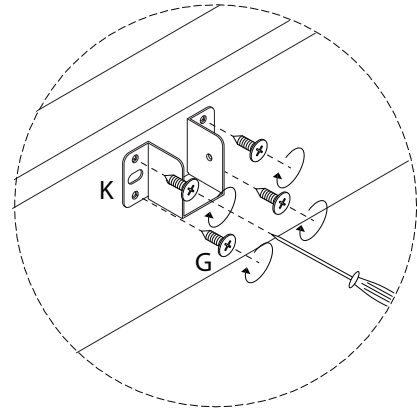
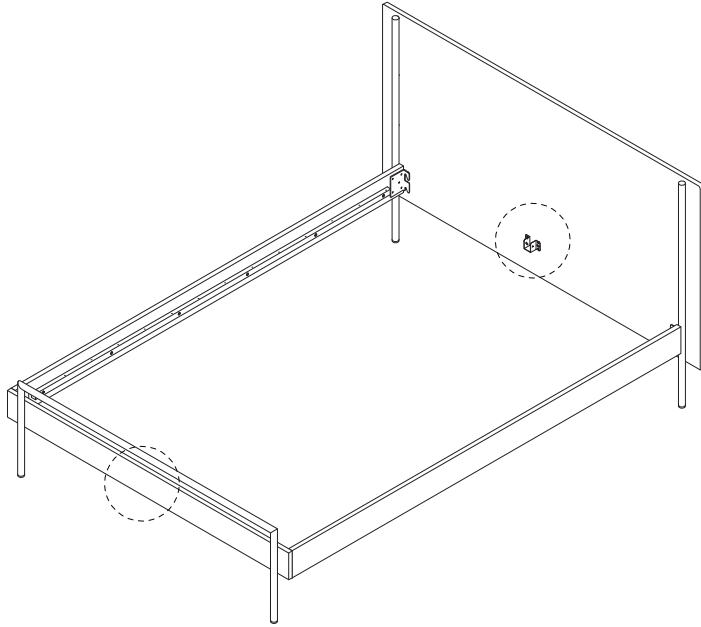


x 8

K



x 2



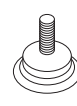
6 x 3

7

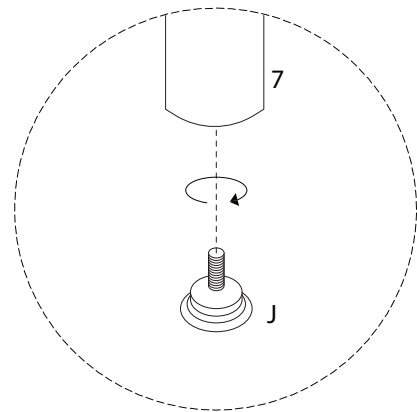
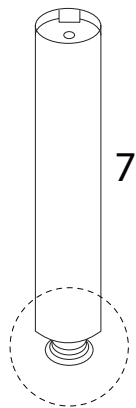


x 1

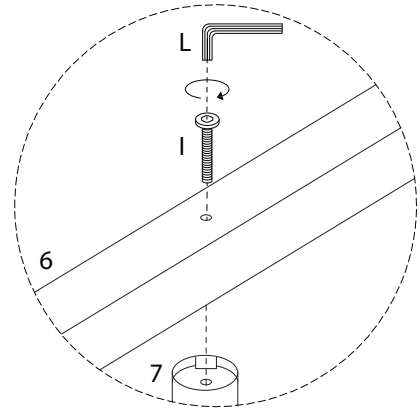
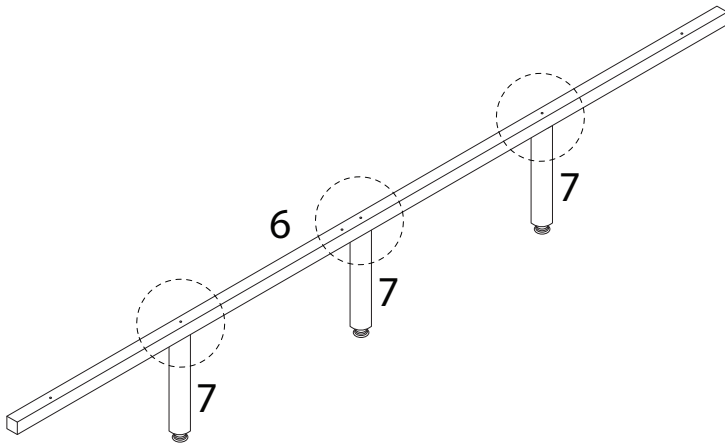
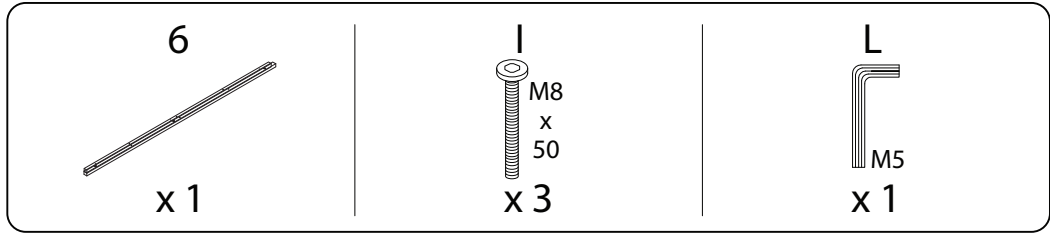
J



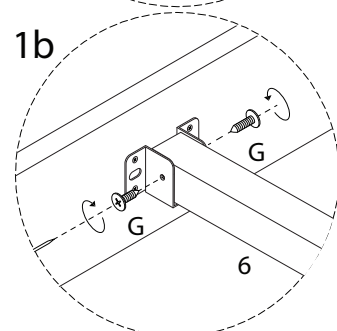
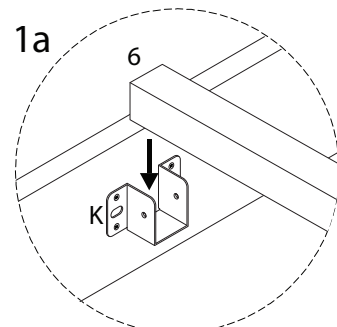
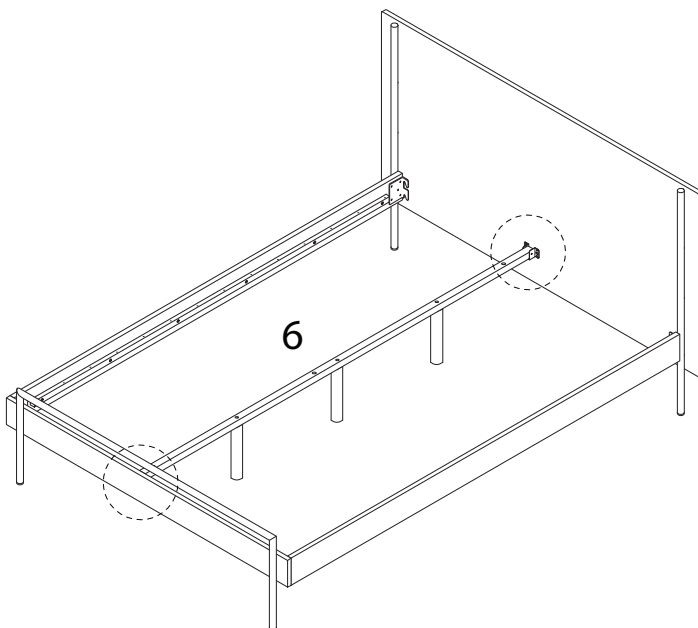
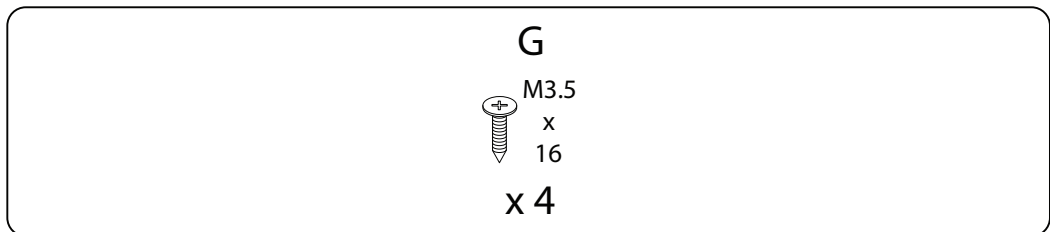
x 1



7

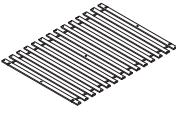





8





9

<p>8</p>  <p>x 1</p>	<p>B</p>  <p>M6 x 25</p> <p>x 3</p>	<p>F</p>  <p>M4</p> <p>x 1</p>	<p>H</p>  <p>M4 x 25</p> <p>x 28</p>
-------------------------------------------------------------------------------------------------------	------------------------------------------------------------------------------------------------------------------------------	------------------------------------------------------------------------------------------------------------------	---------------------------------------------------------------------------------------------------------------------------------

