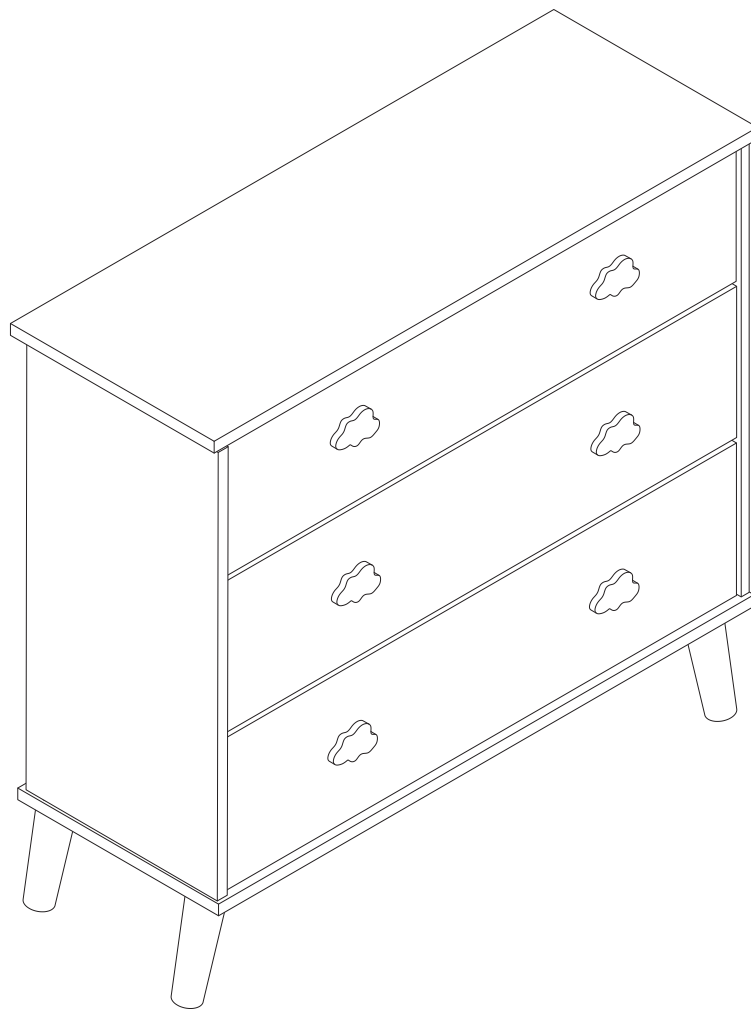
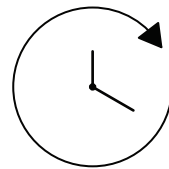
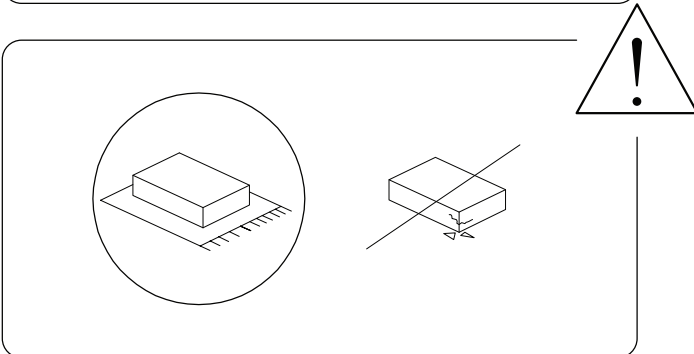
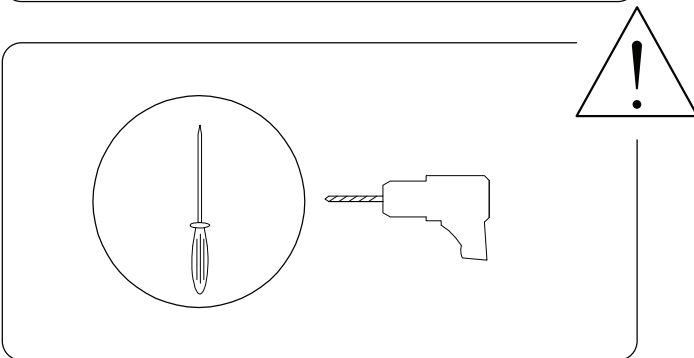
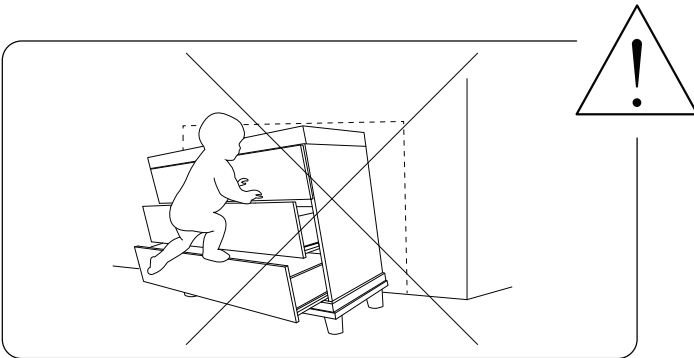
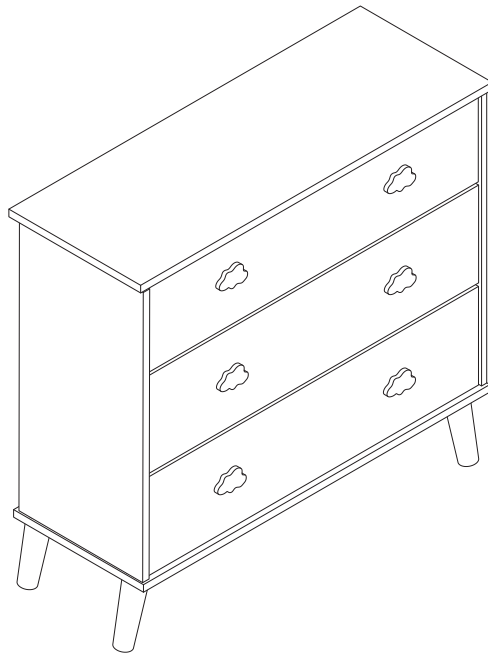
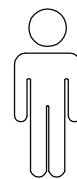


# CLOUDY

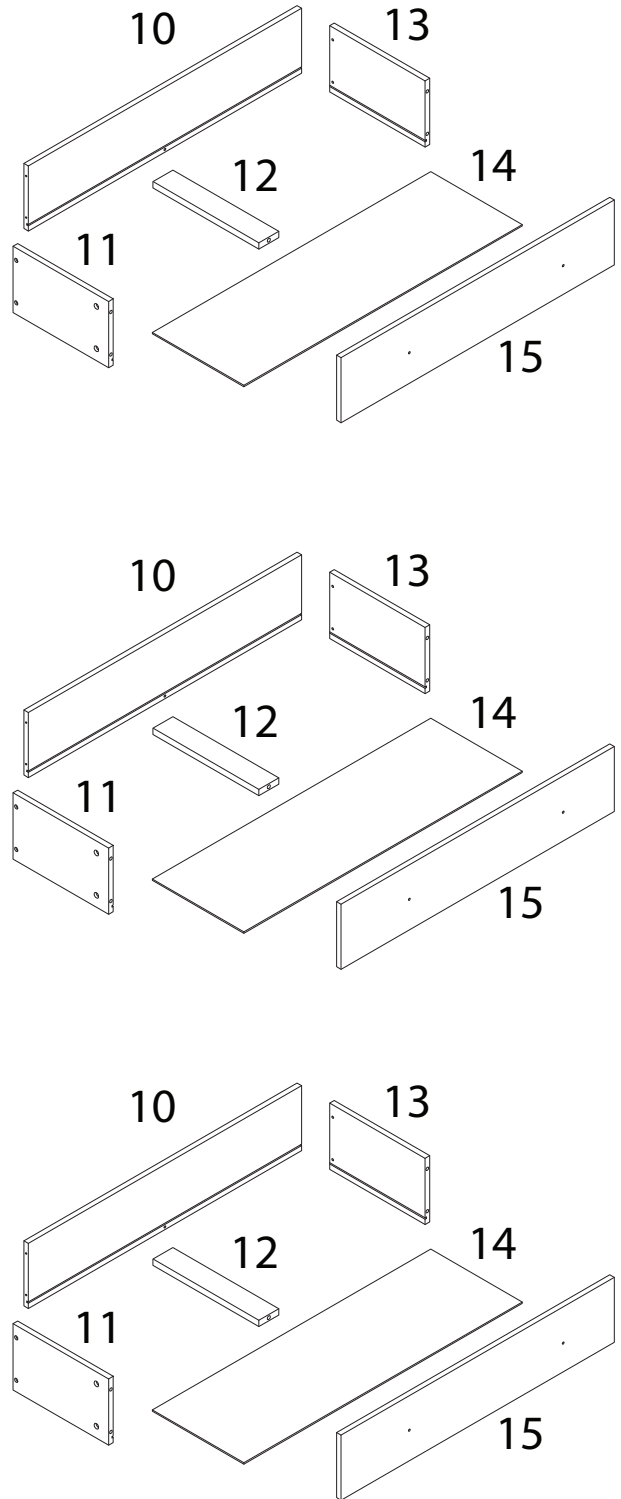
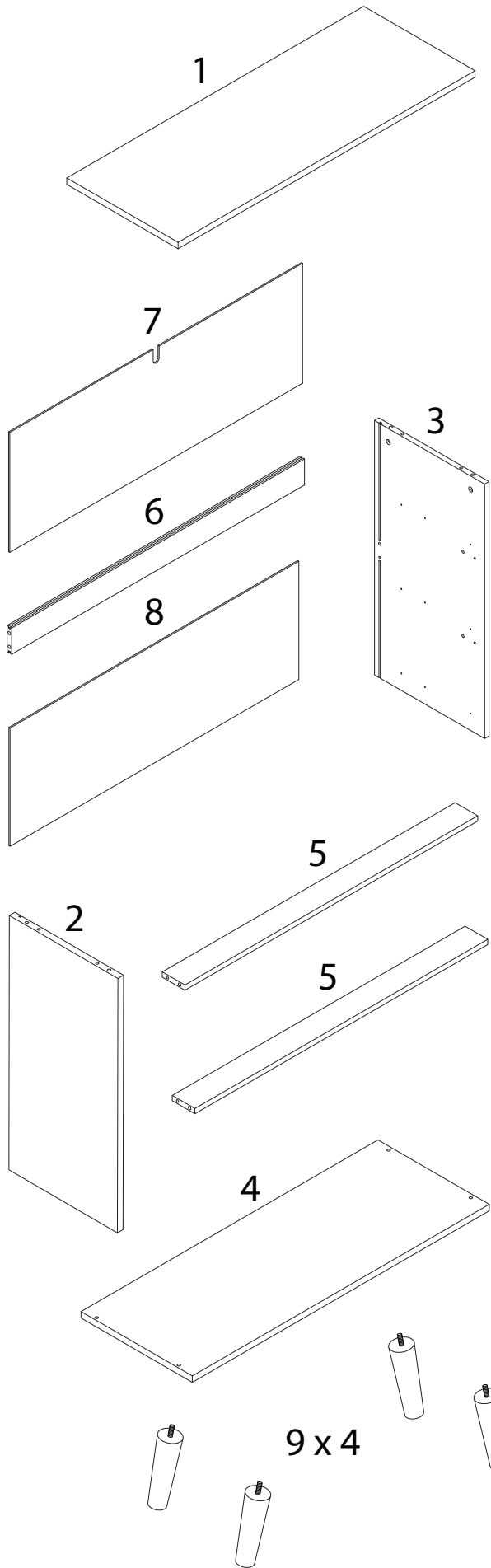




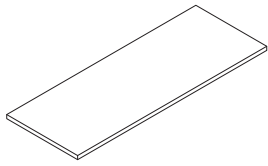
30'



1

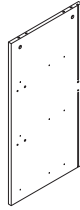


1



x 1

2



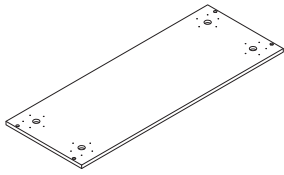
x 1

3



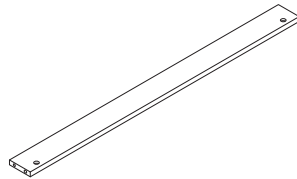
x 1

4



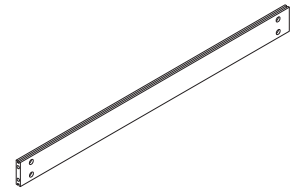
x 1

5



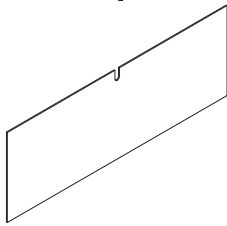
x 2

6



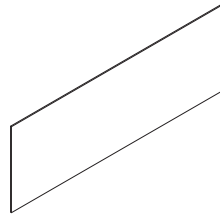
x 1

7



x 1

8



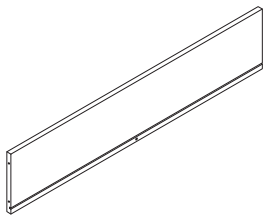
x 1

9



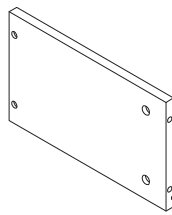
x 4

10



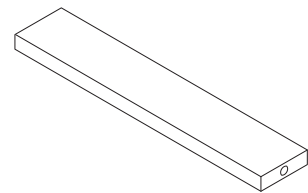
x 3

11



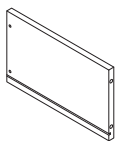
x 3

12



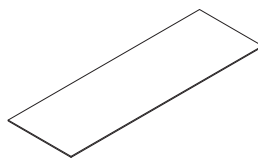
x 3

13



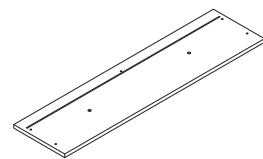
x 3

14



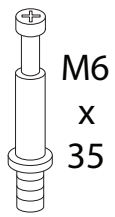
x 3

15



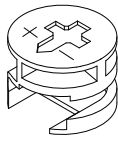
x 3

A



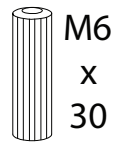
x 27

B



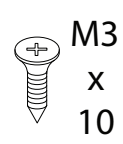
x 27

C



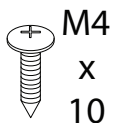
x 12

D



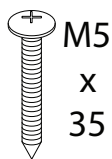
x 30

E



x 21

F



x 4

G



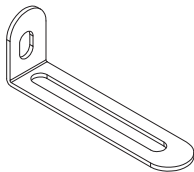
x 10

H



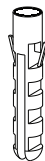
x 15

I



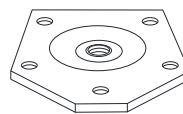
x 1

J



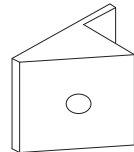
x 1

K



x 4

L



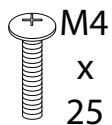
x 10

M



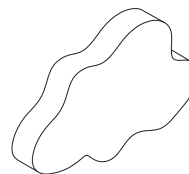
x 1

N



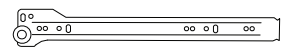
x 6

O



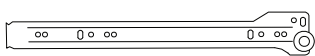
x 6

CL



x 3

CR



x 3

DL



x 3

DR



x 3

1

2



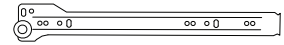
x 1

D

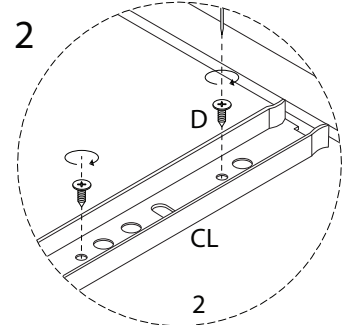
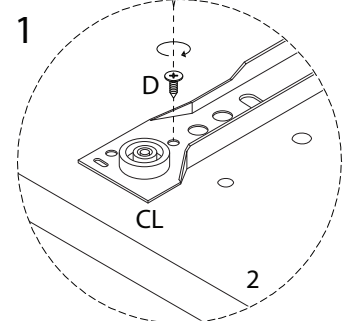
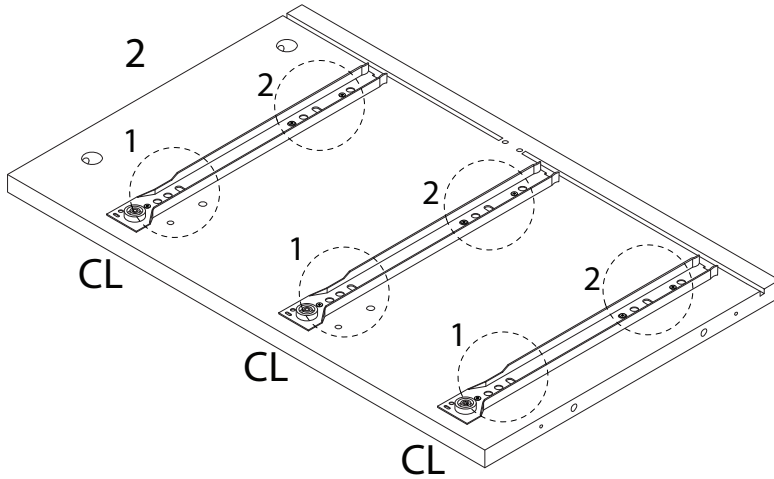


x 9

CL



x 3



2

3



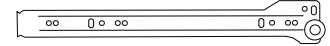
x 1

D

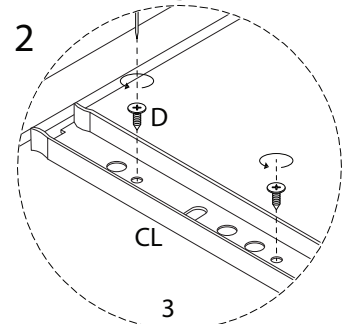
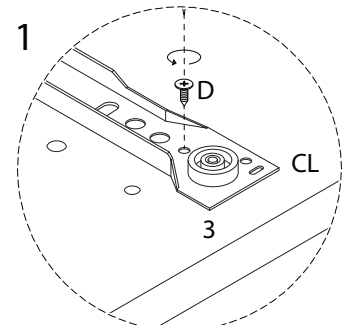
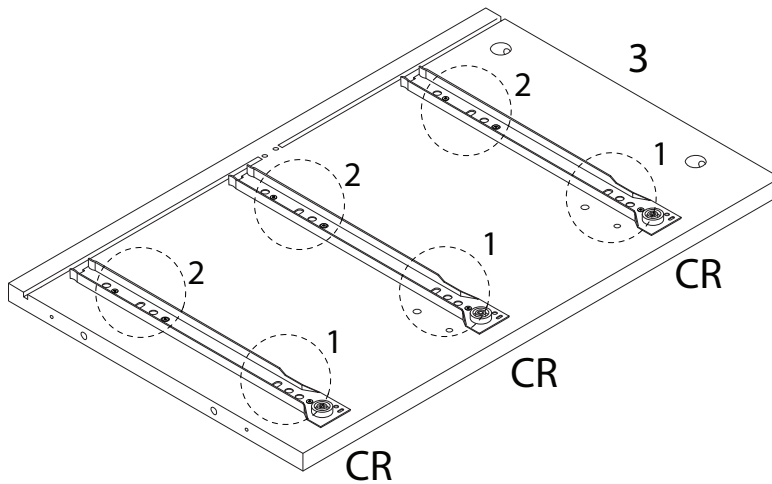


x 9

CR

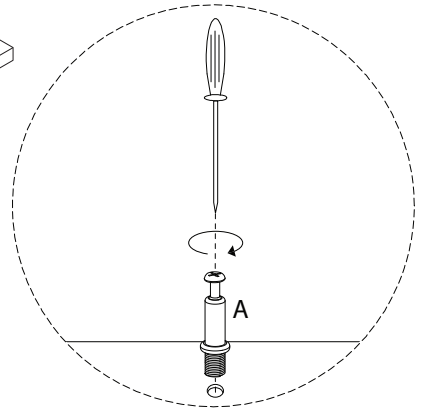
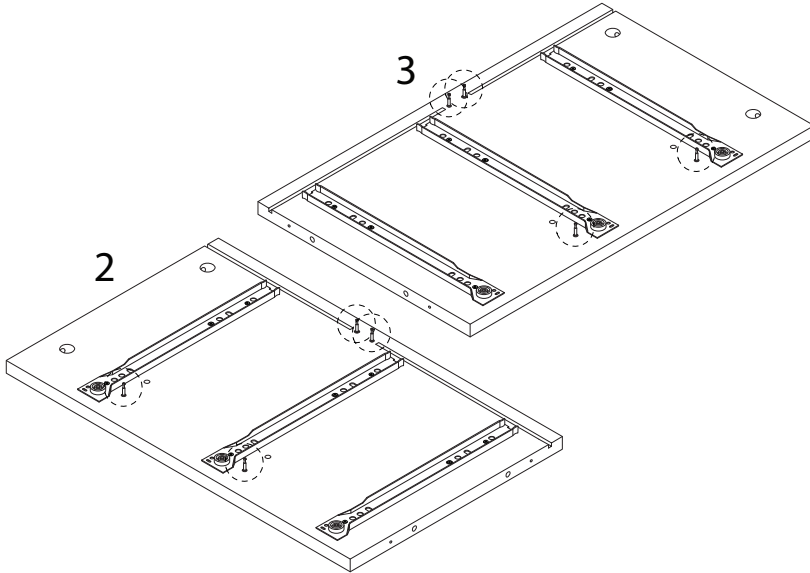


x 3



3

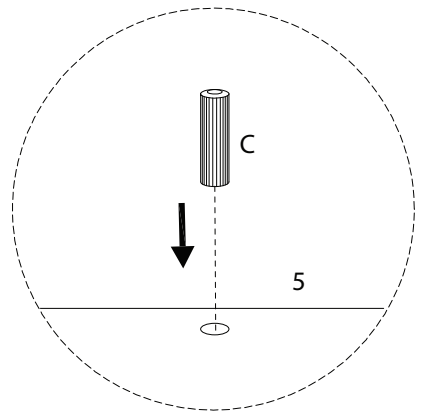
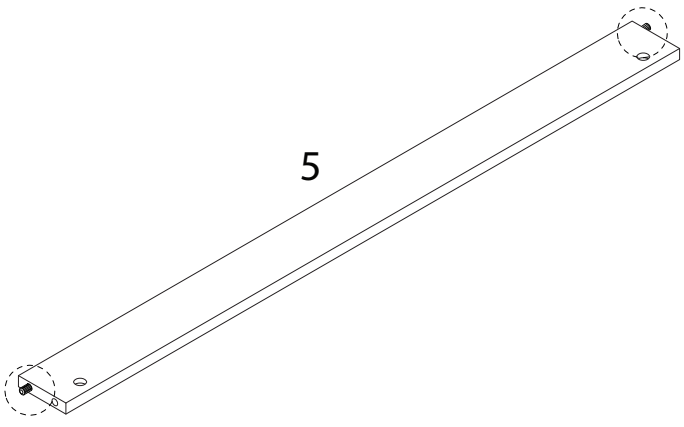
A  
M6  
x  
35  
x 8



4 x 2

5  
x 1

C  
M6  
x  
30  
x 2

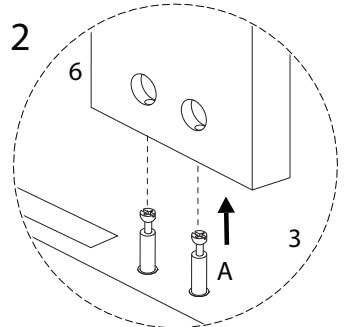
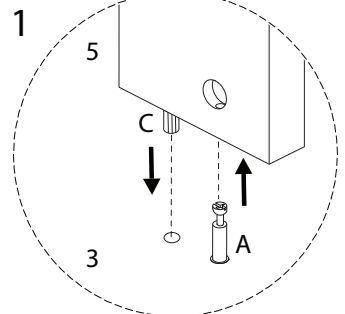
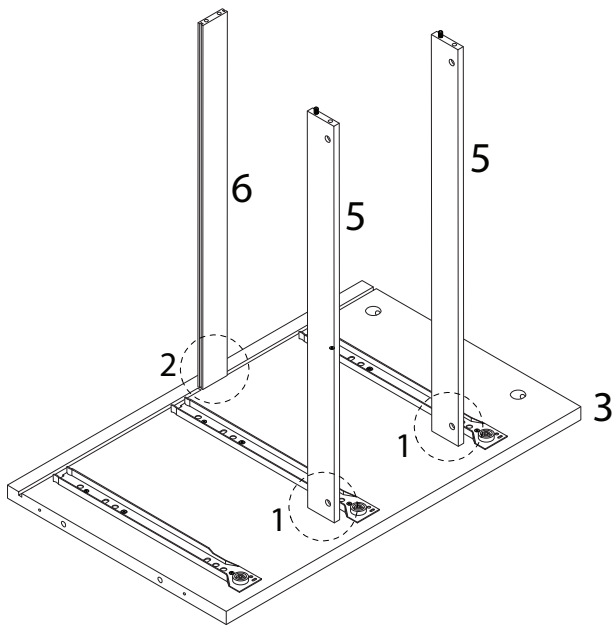


5

6



x 1

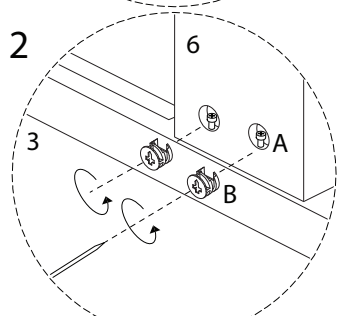
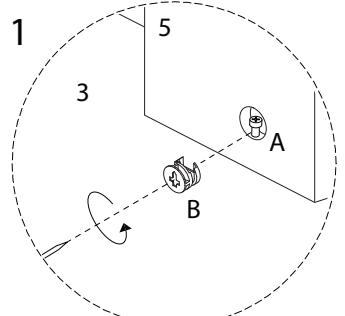
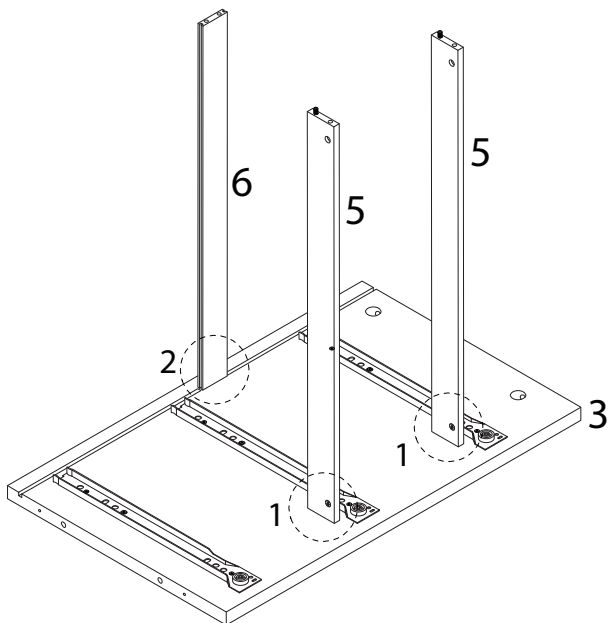


6

B

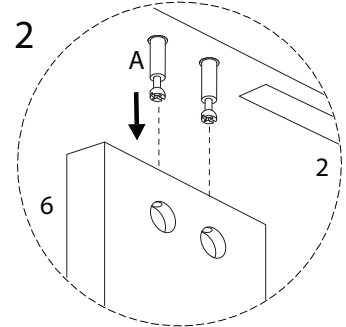
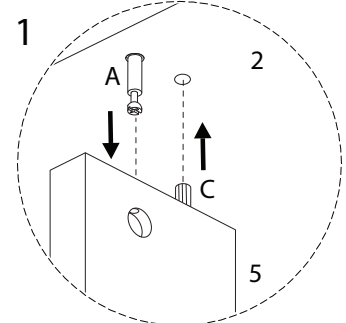
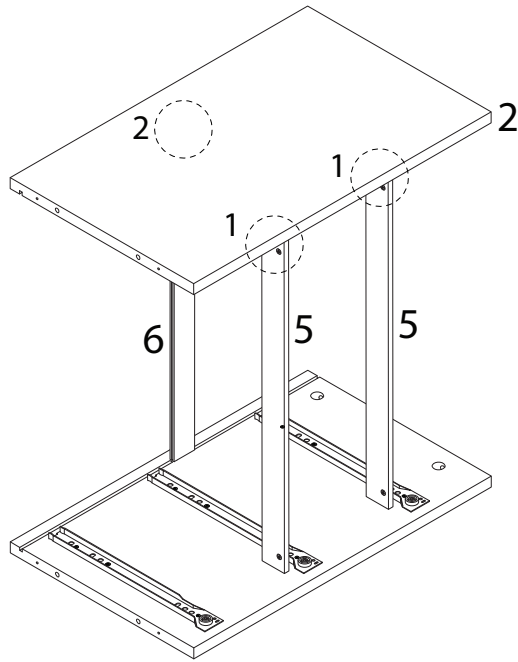


x 4





7

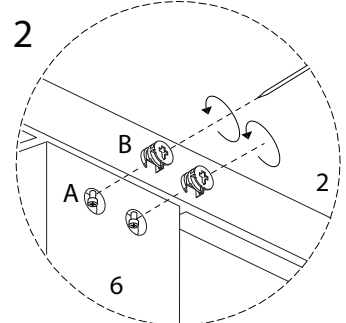
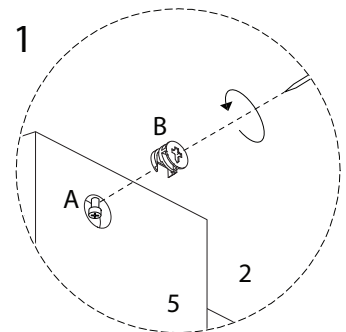
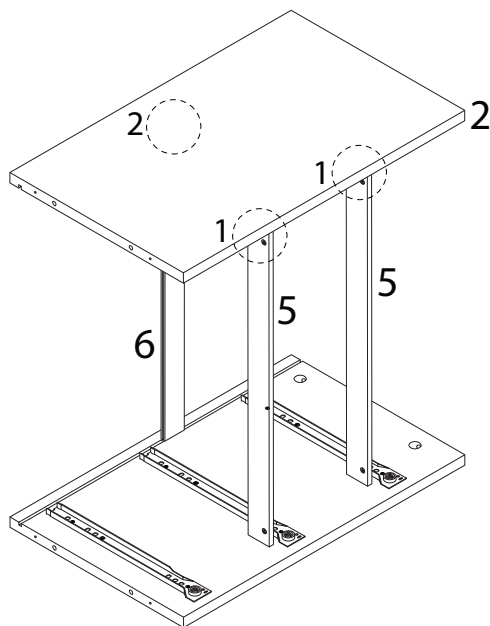


8

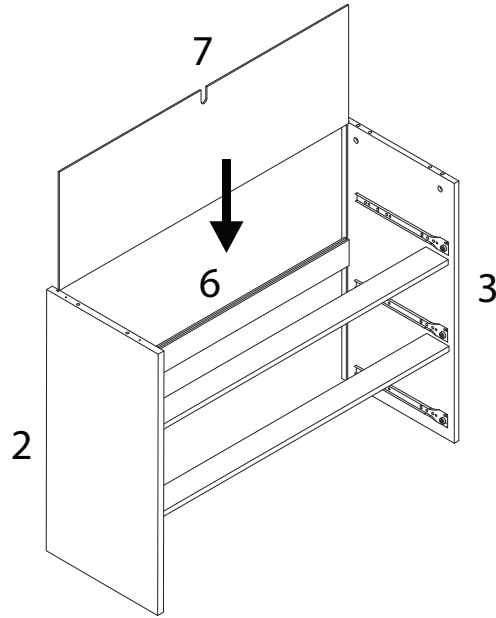
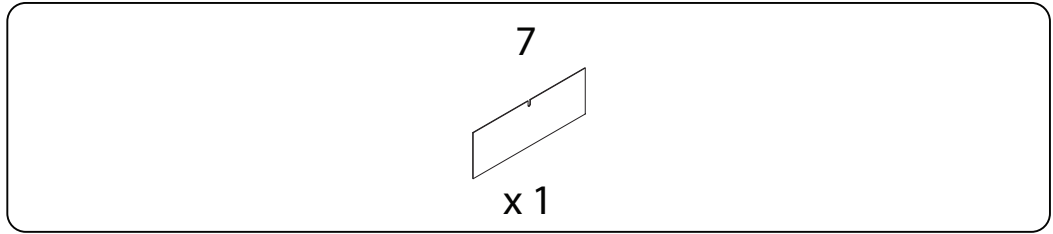
B



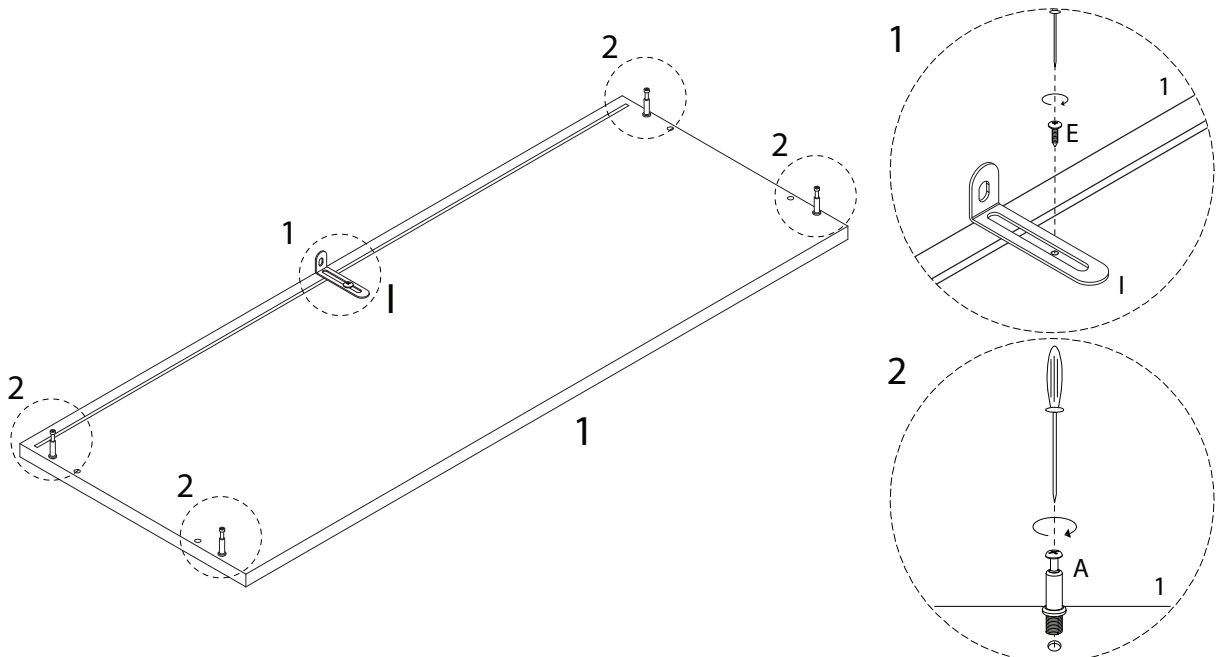
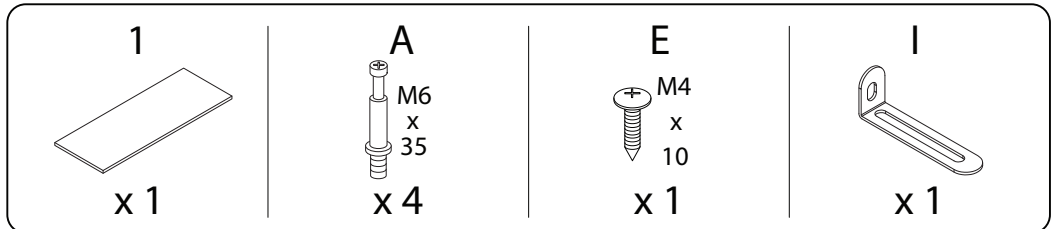
x 4



9

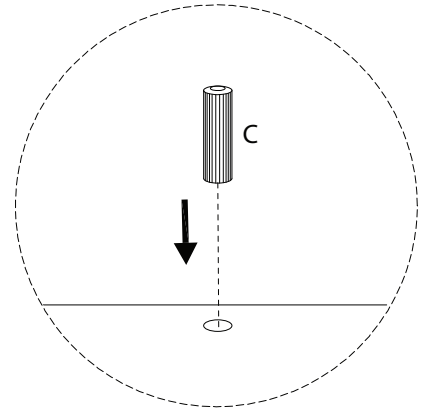
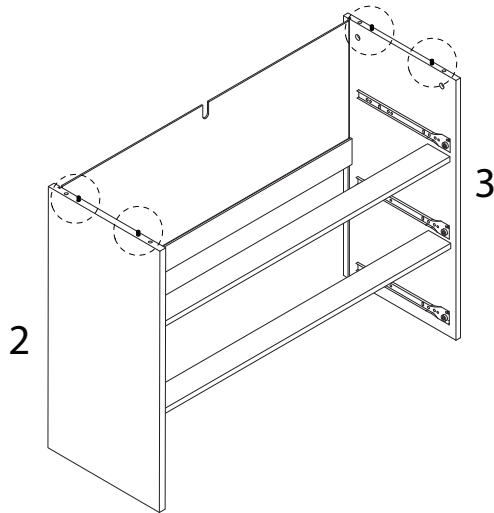


10



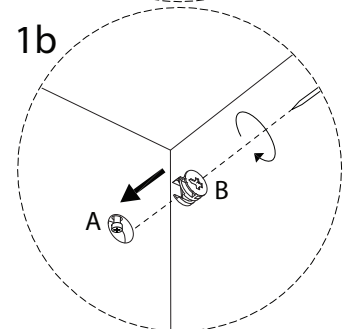
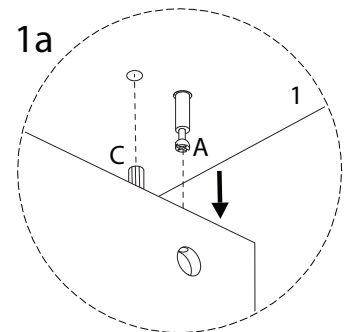
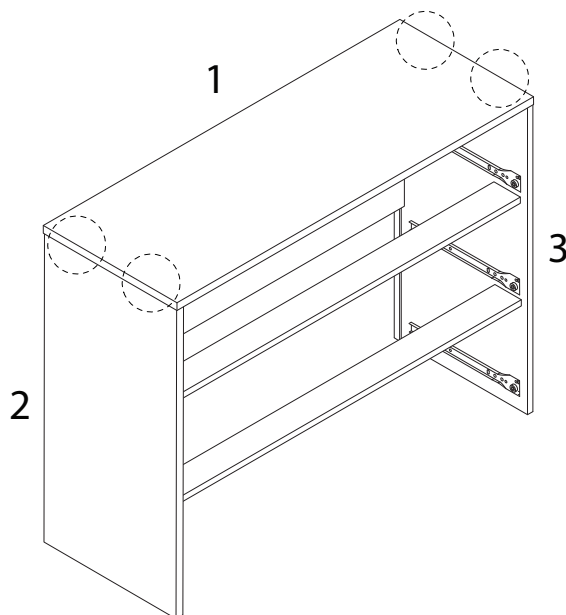
11

C  
M6  
x  
30  
x 4

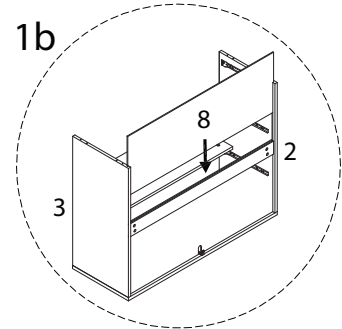
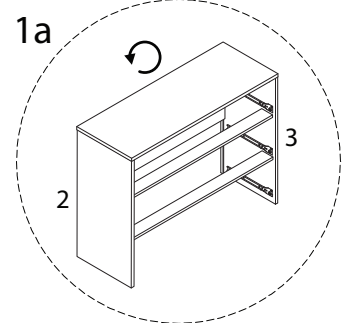
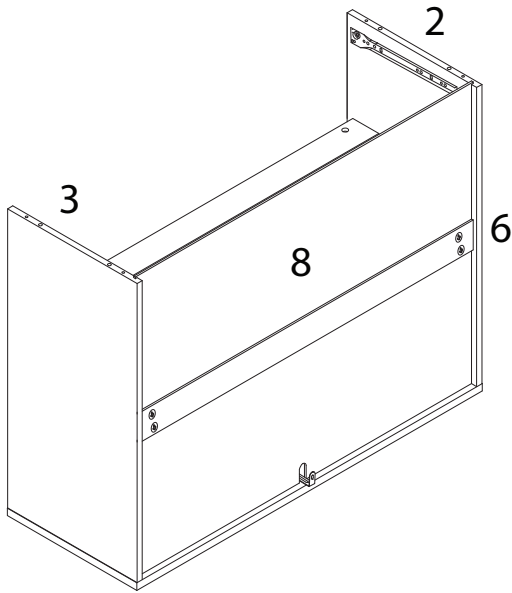
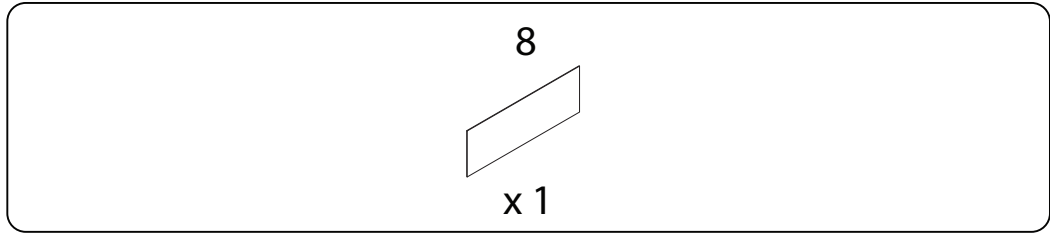


12

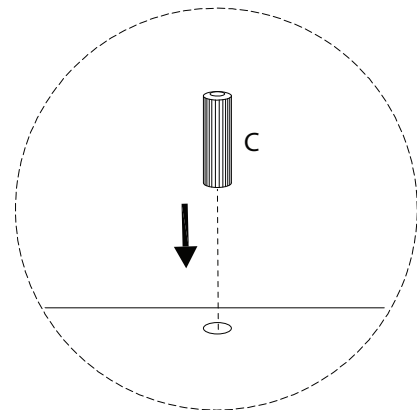
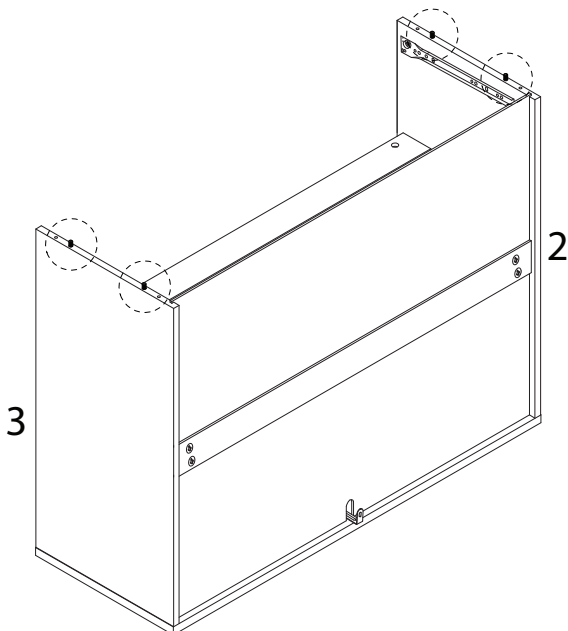
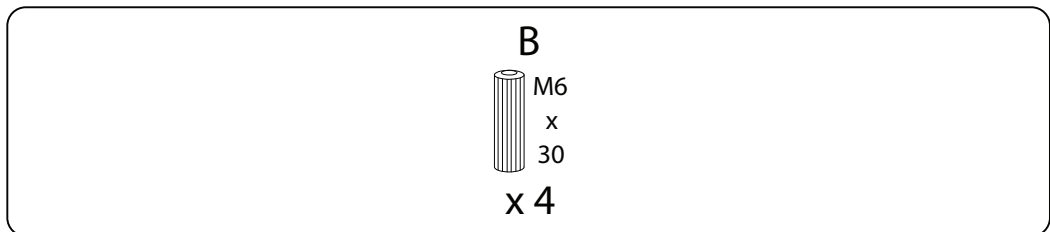
B  
x 4



13

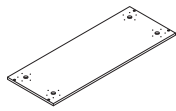


14



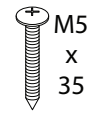
15

4

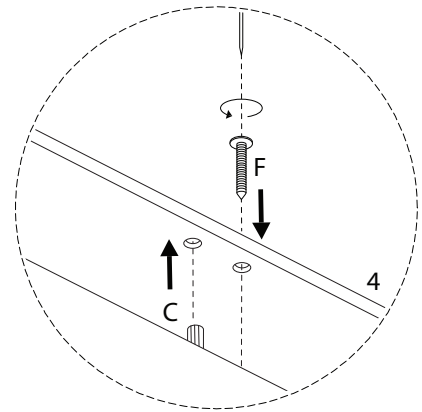
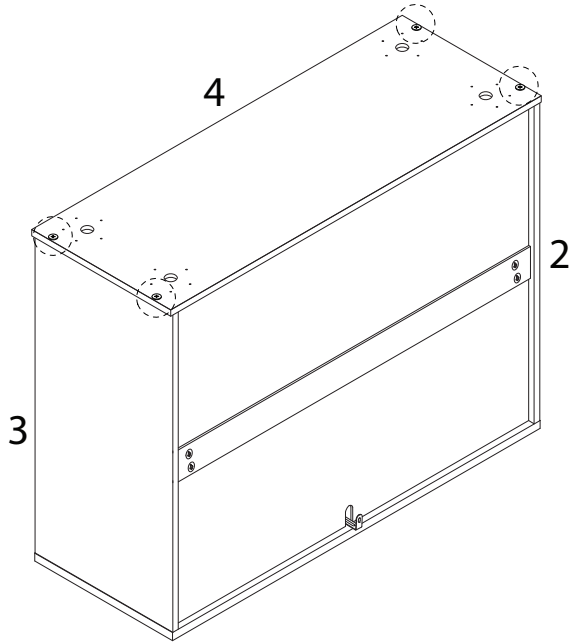


x 1

F

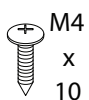


x 4



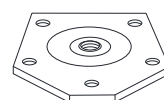
16

E

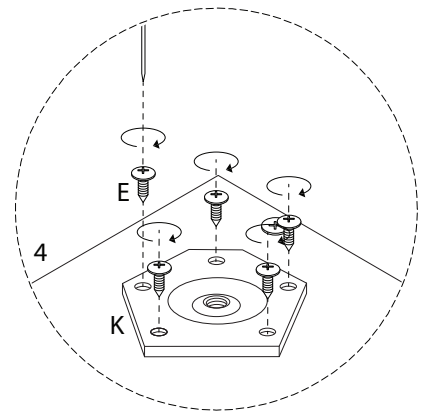
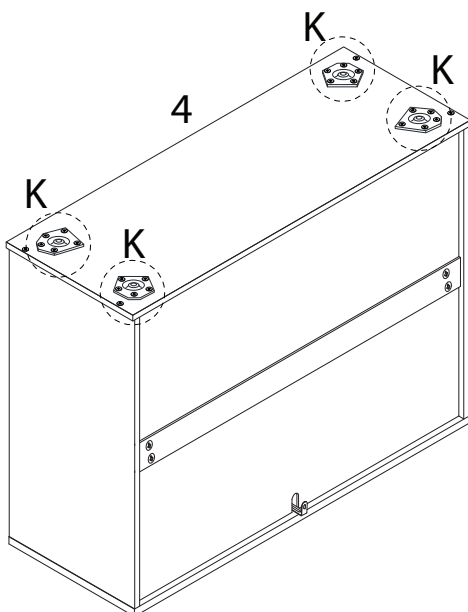


x 20

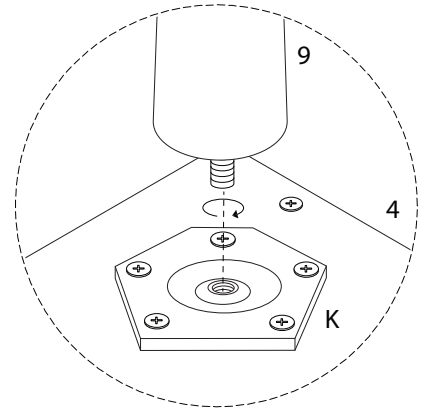
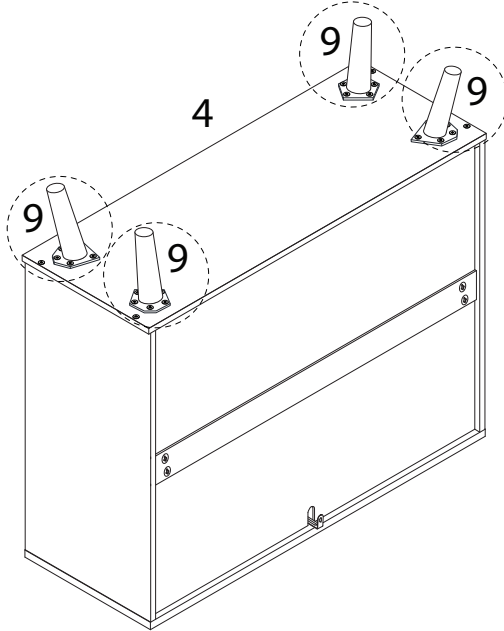
K



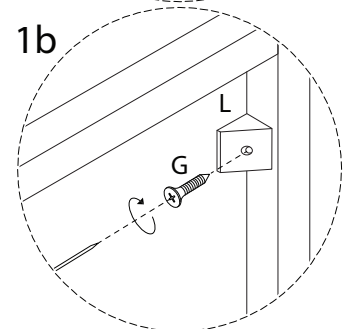
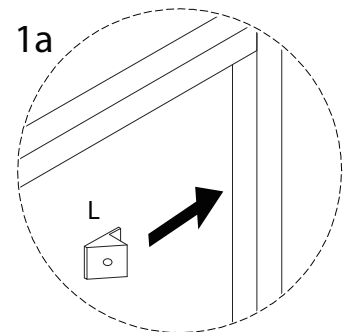
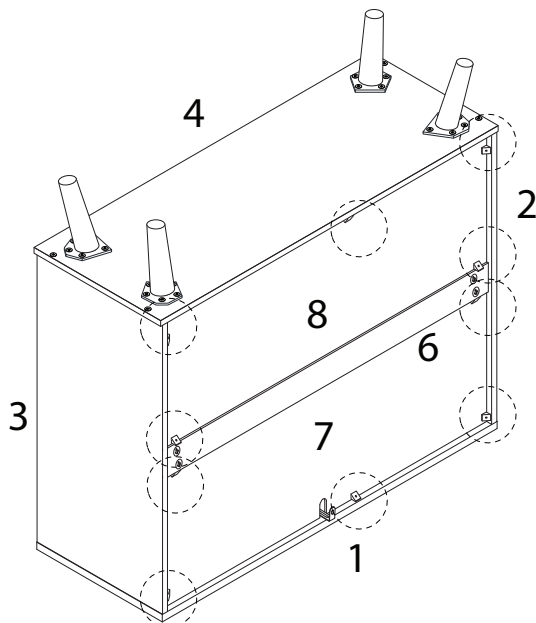
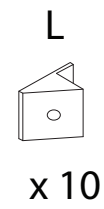
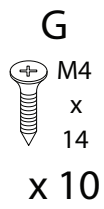
x 4




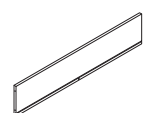
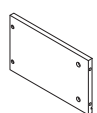
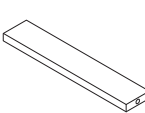
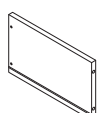
17

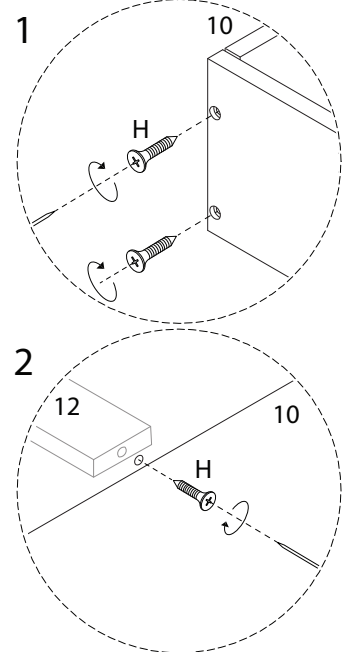
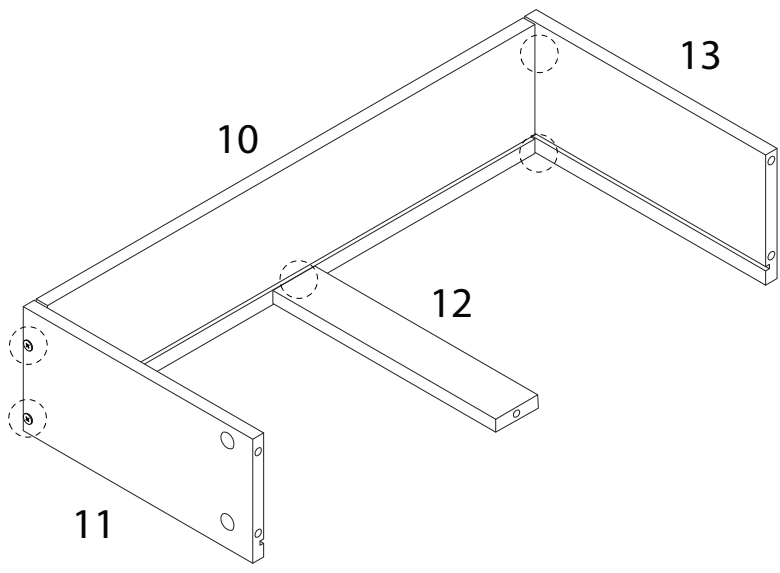


18

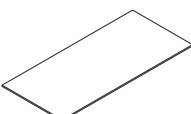


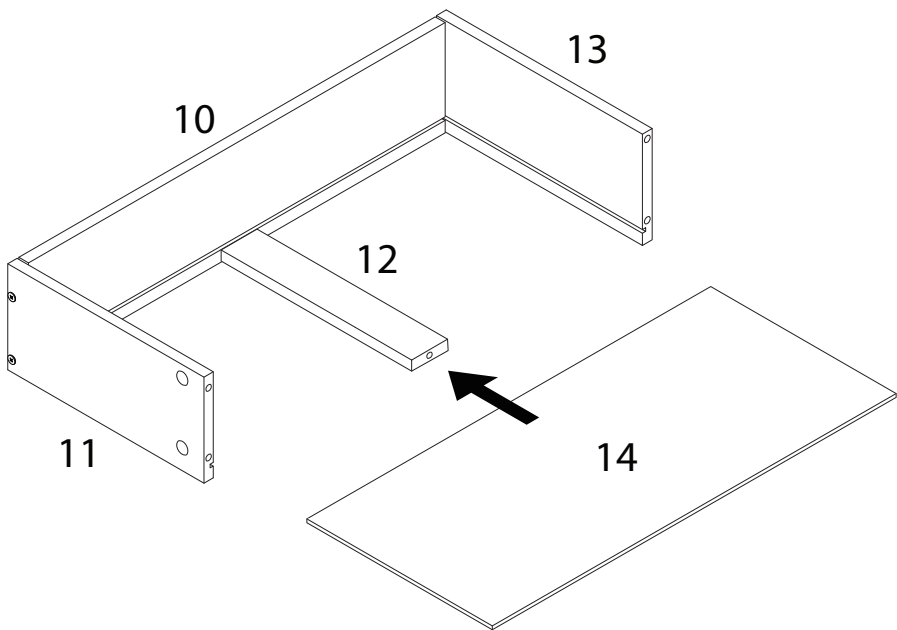
19 x 3

 H M4 x 25 x 5	 10 x 1	 11 x 1	 12 x 1	 13 x 1
--	--	--	--	--

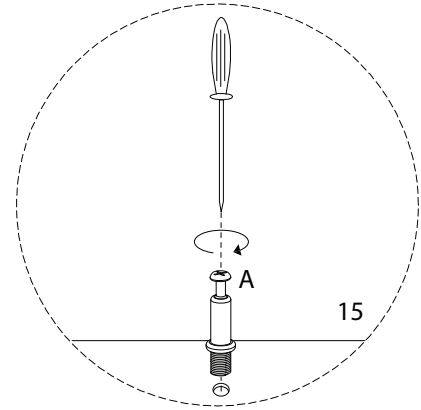
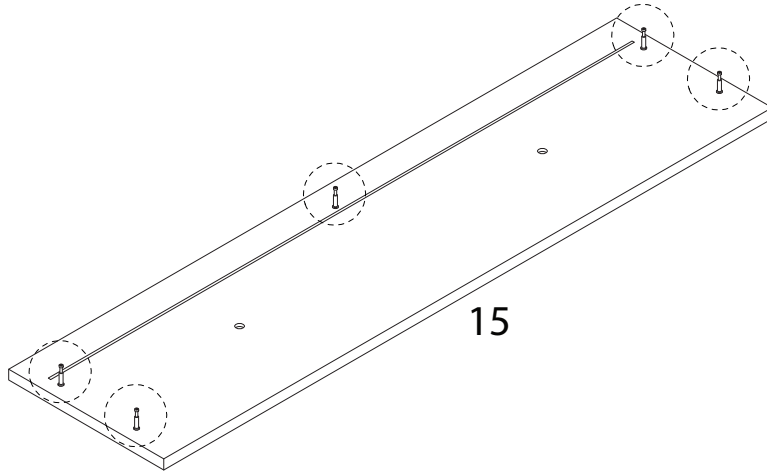
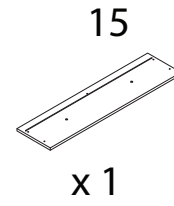
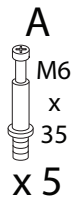


20 x 3

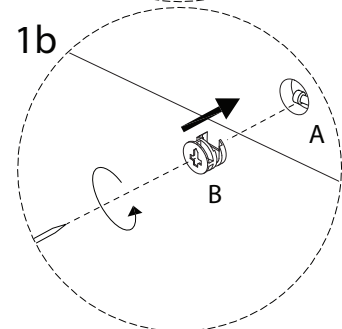
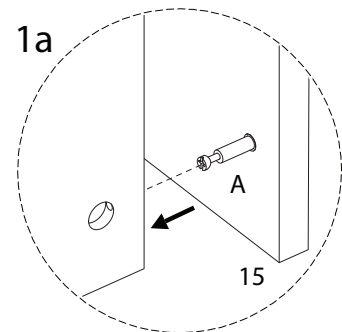
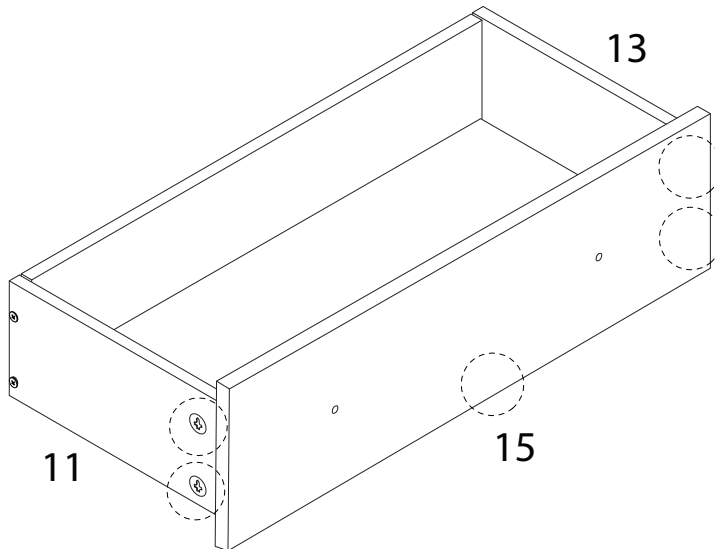
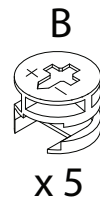
 14 x 1
--



21 x 3



22 x 3

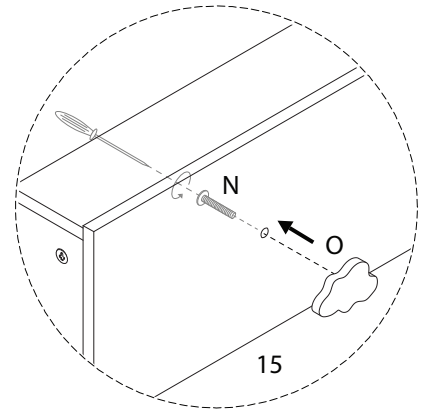
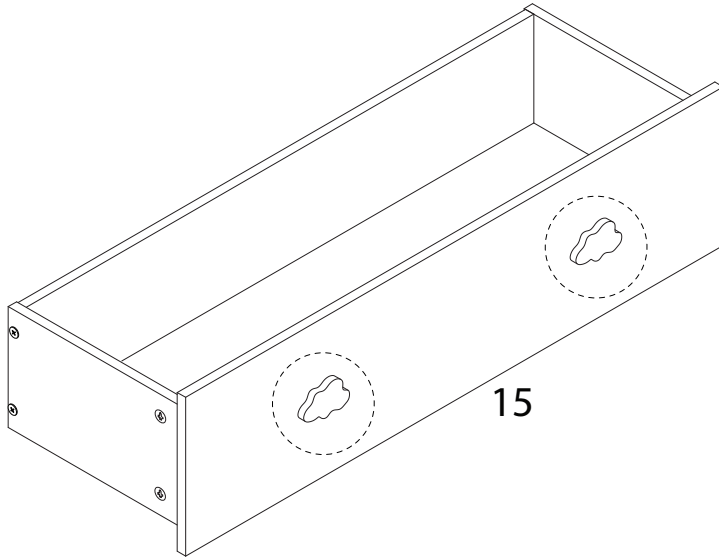




23 x 3

N  
M4  
x  
25  
x 2

O  
x 2

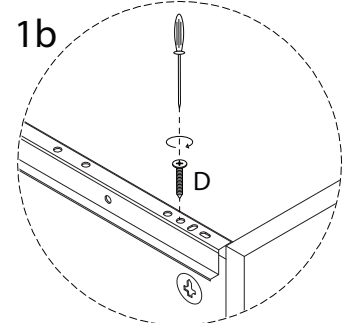
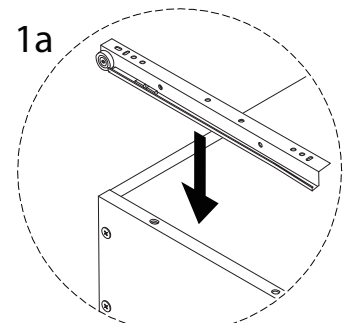
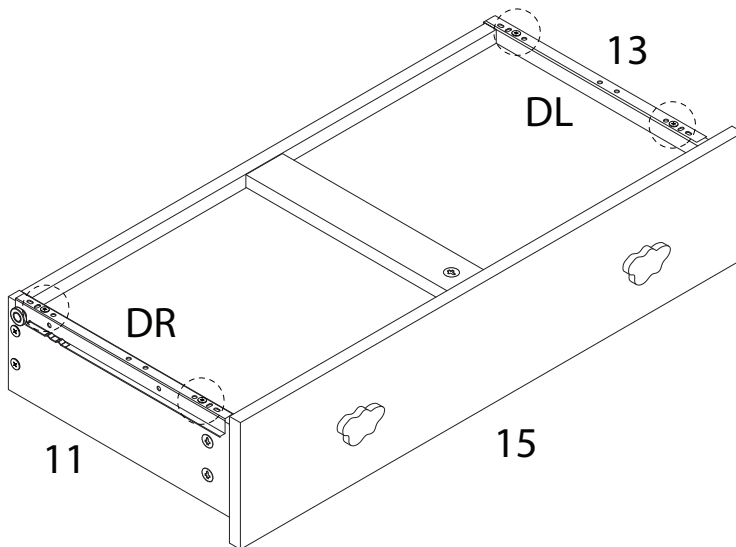


24 x 3

D  
M3  
x  
10  
x 4

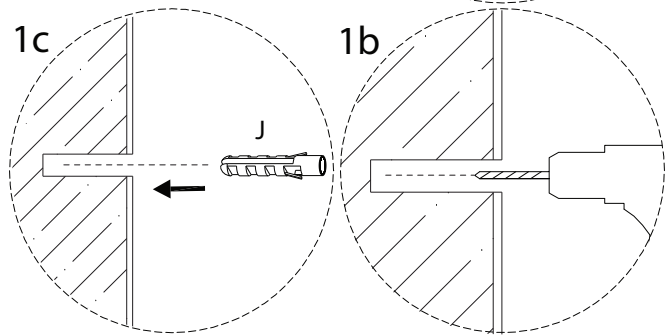
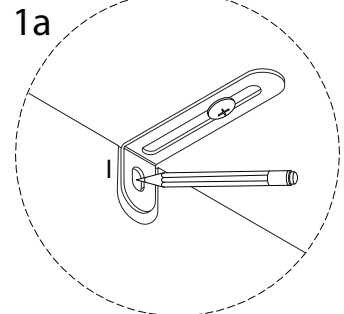
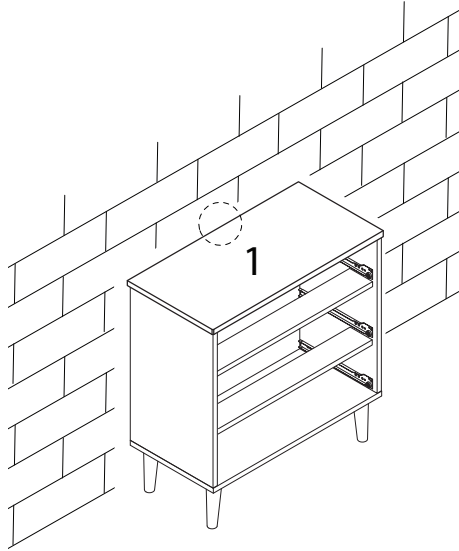
DL  
x 1

DR  
x 1



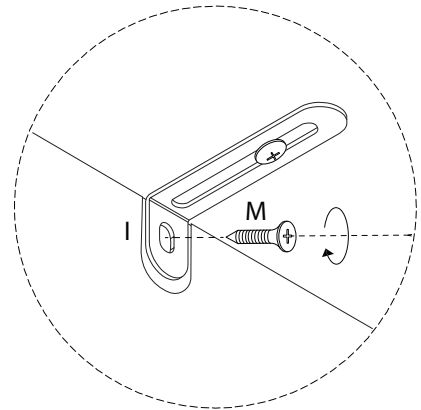
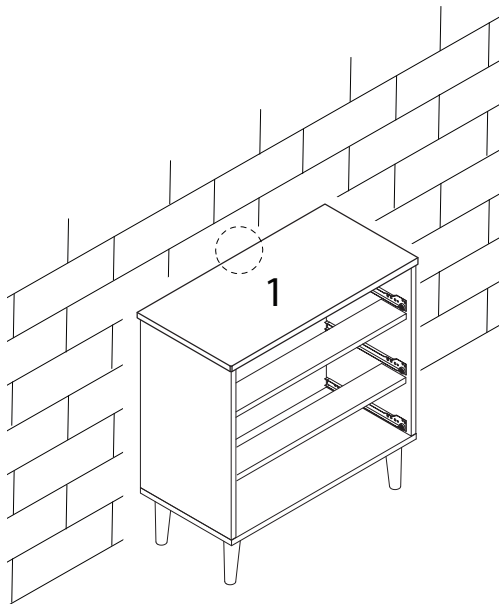
25

J  
M6  
x  
30  
x 1



26

M  
M4  
x  
30  
x 1



!

