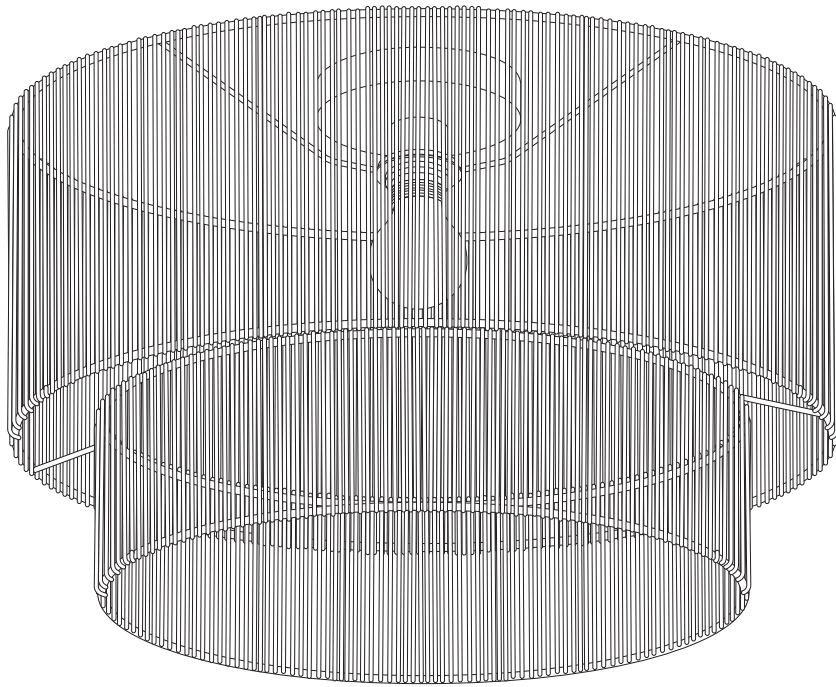
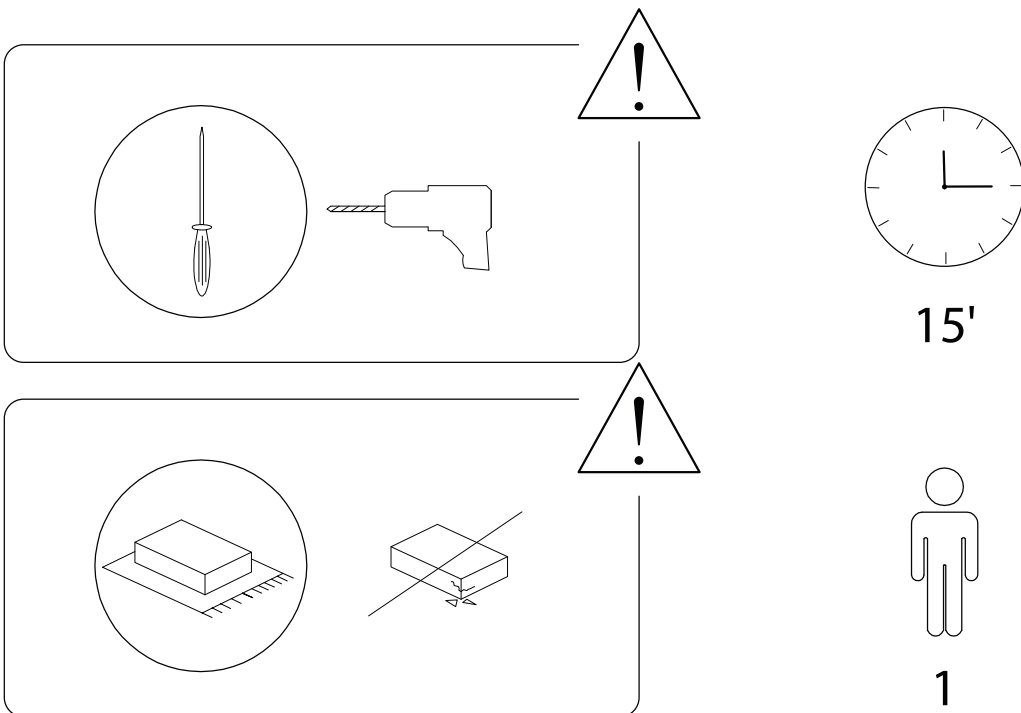
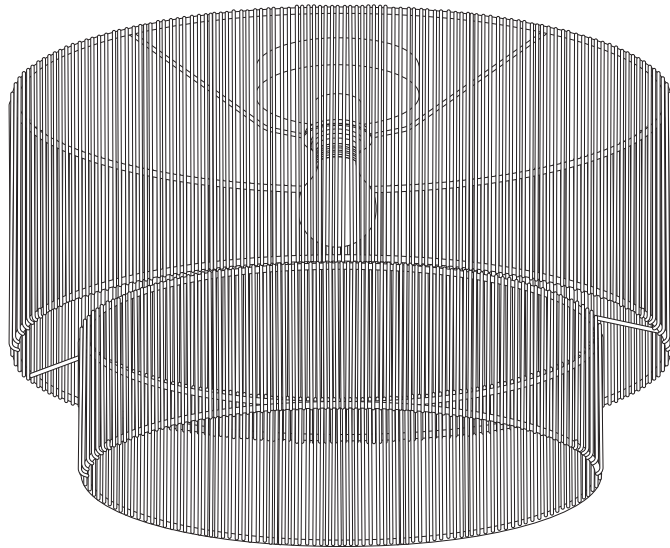
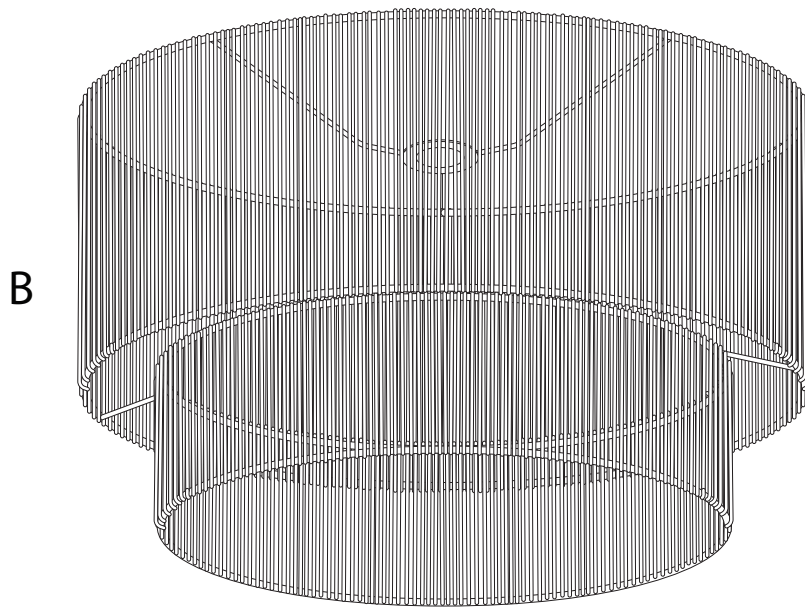
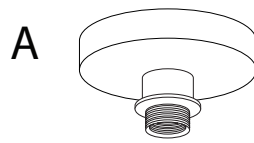


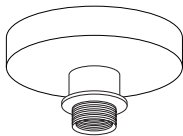
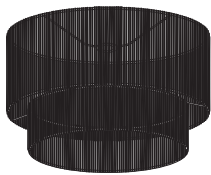

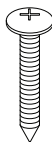
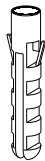
DORING



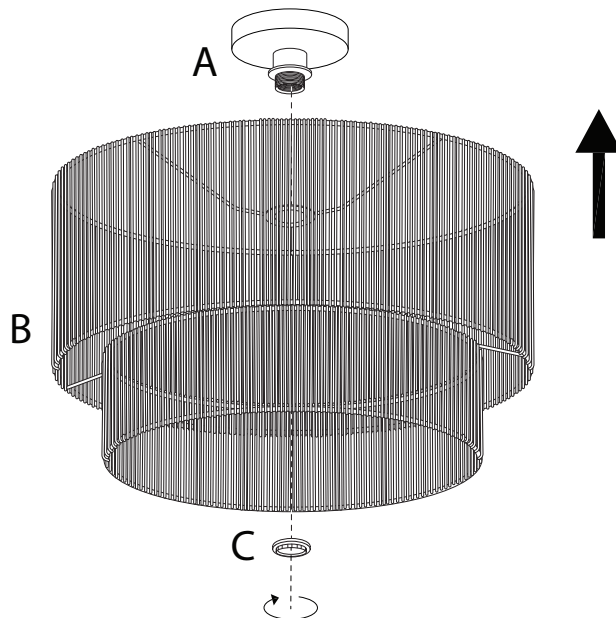
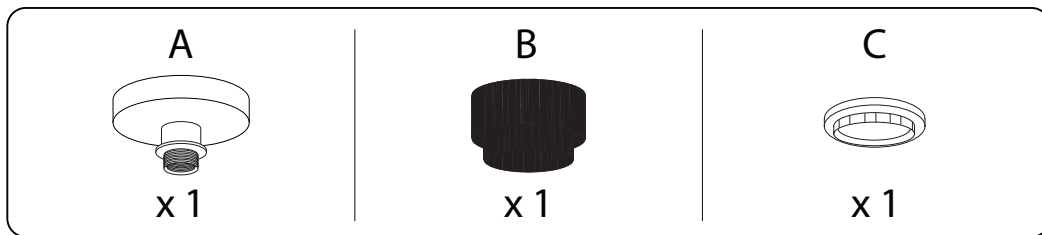


1/4

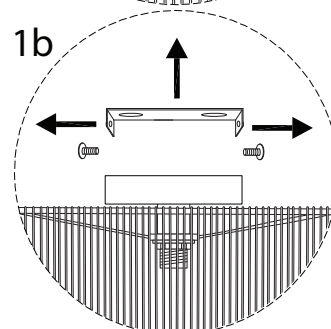
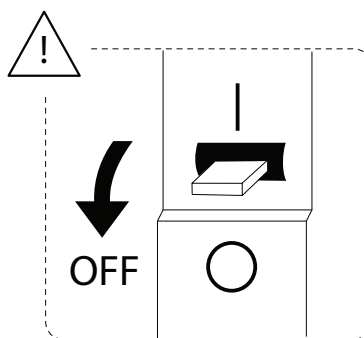
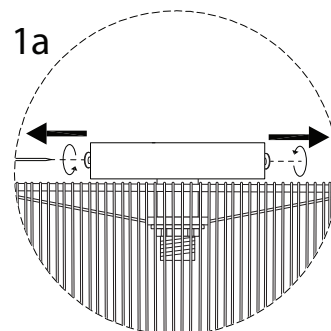
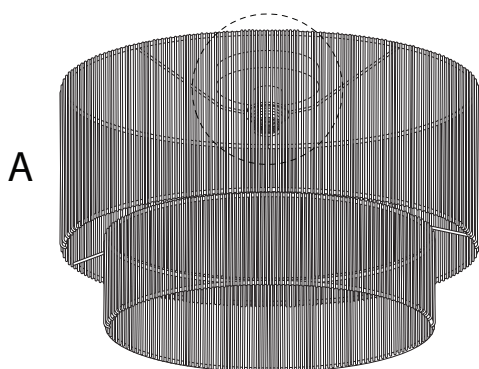


A	B	C	D	E
				
x 1	x 1	x 1	x 2	x 2

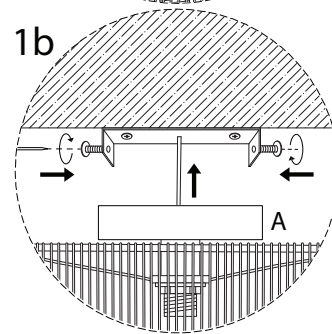
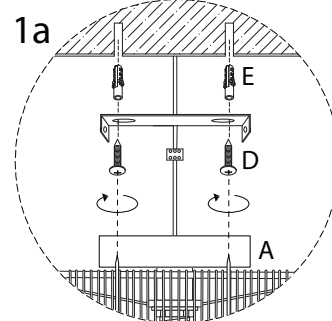
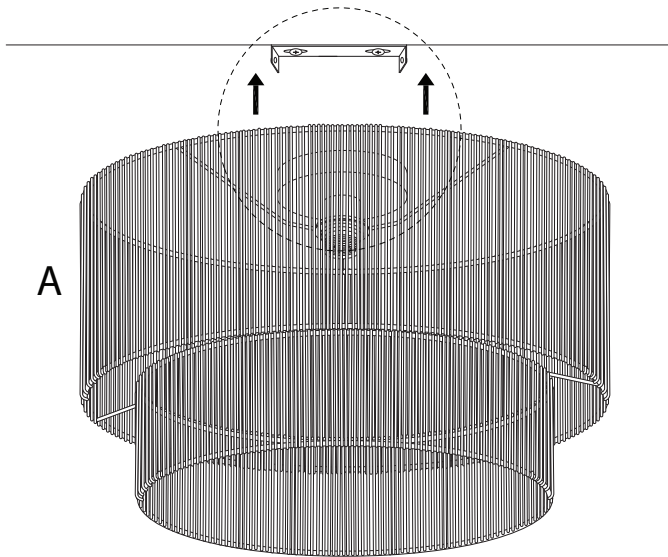
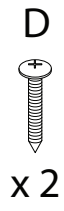
1



2



3



4

