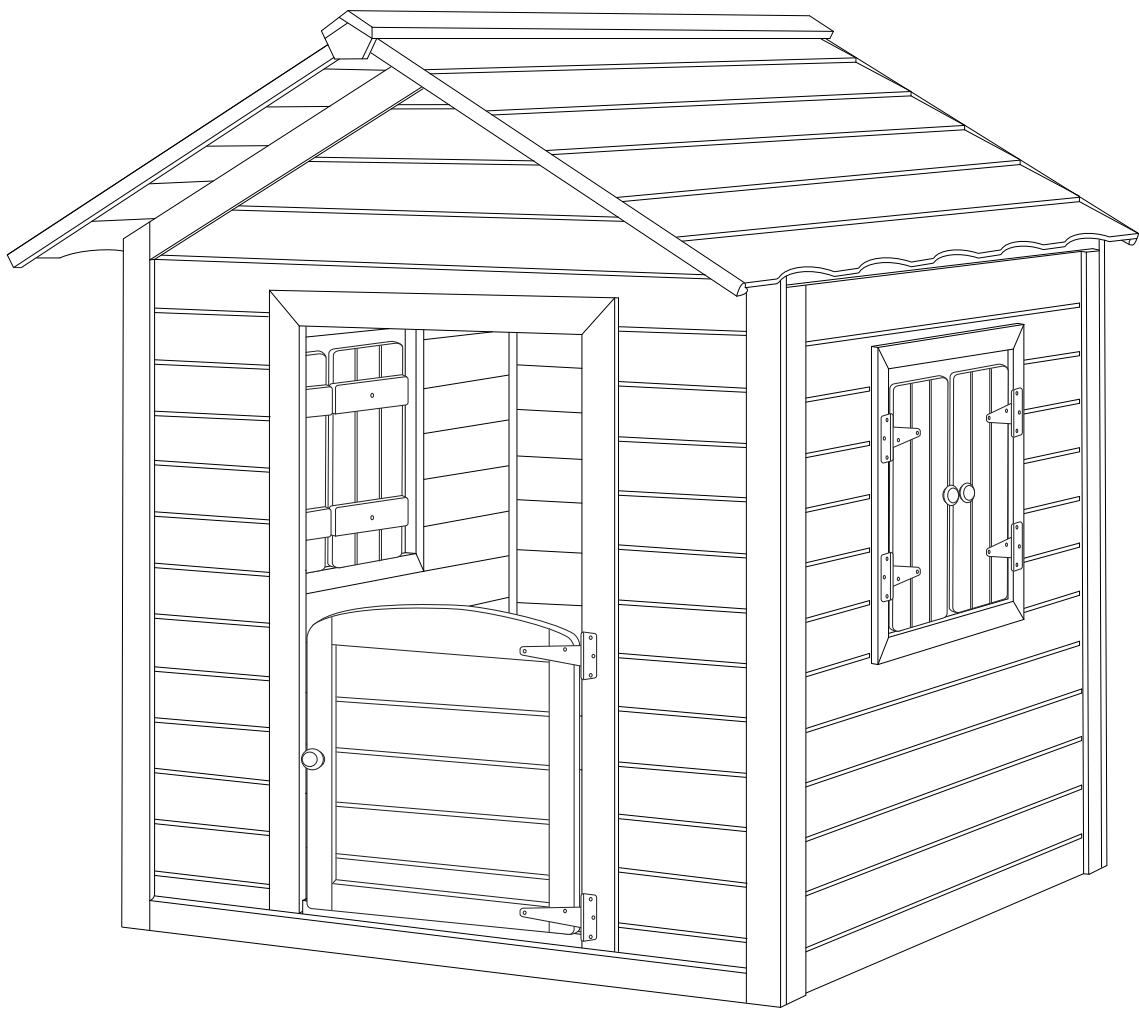
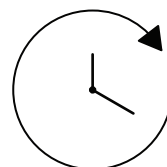
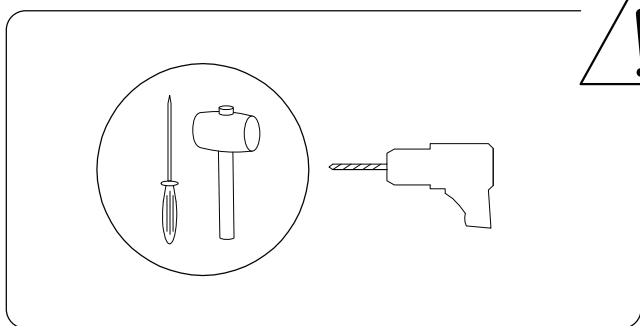
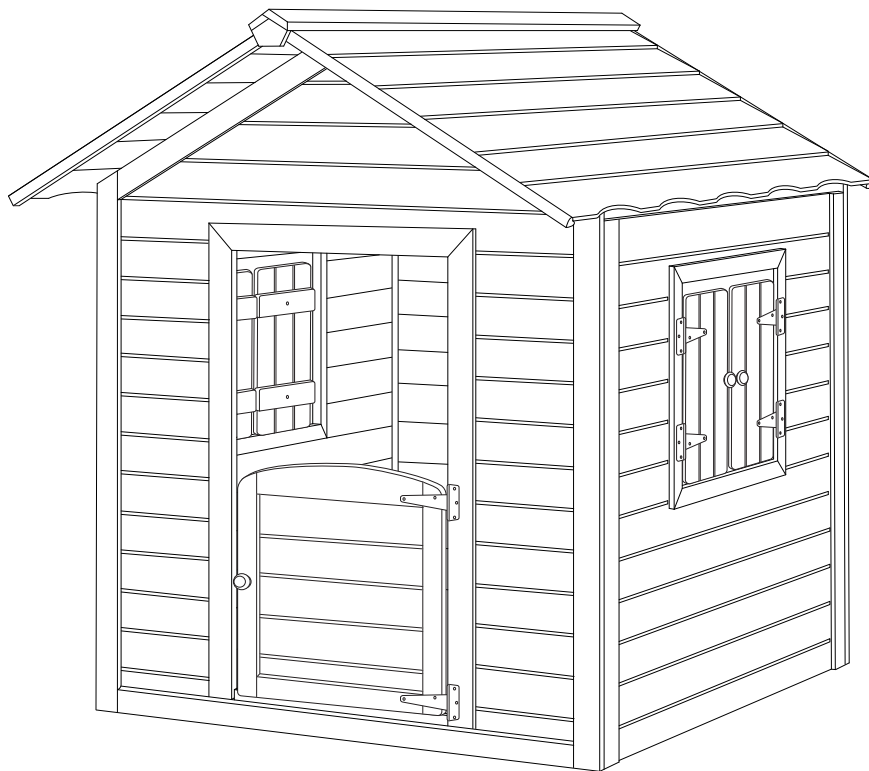
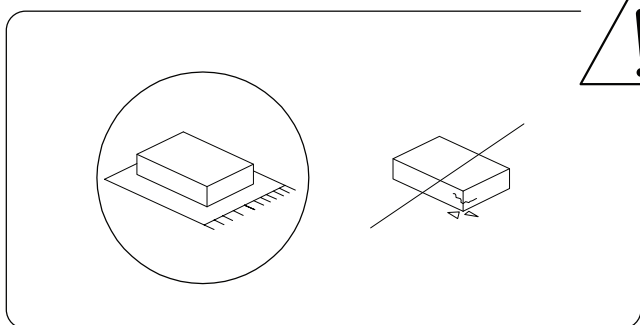


# PELOPIO



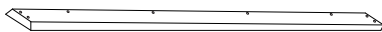


75'

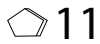


2

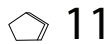
10



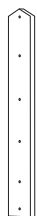
9



11

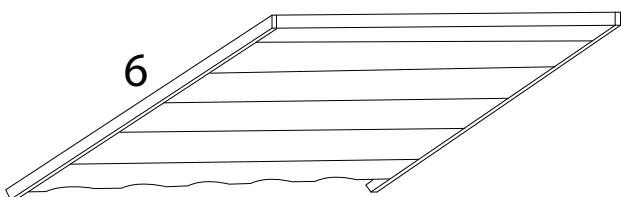


11

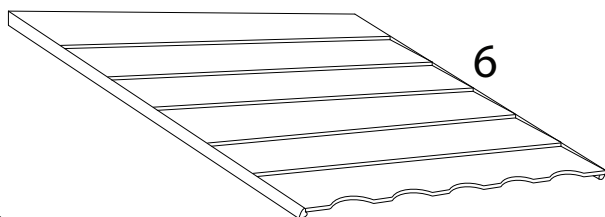


4 x 2

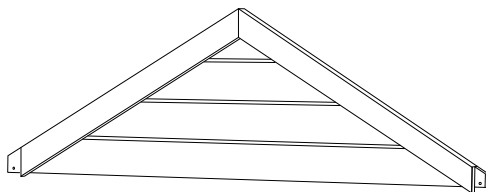
6



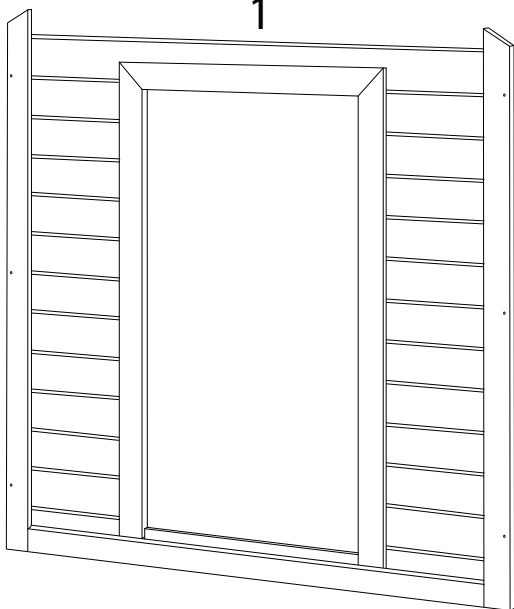
6



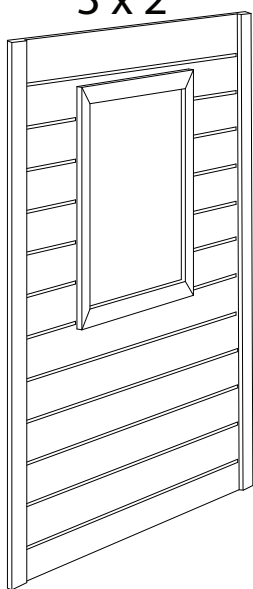
3 x 2



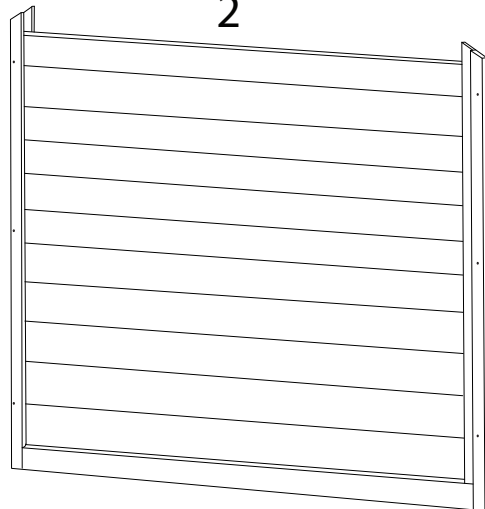
1



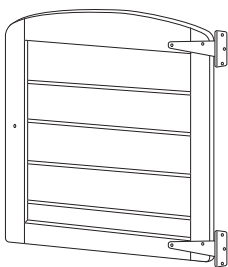
3 x 2



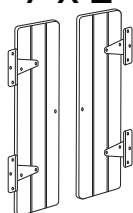
2

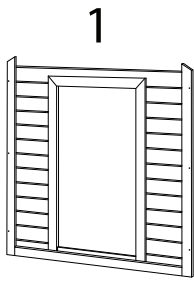


8

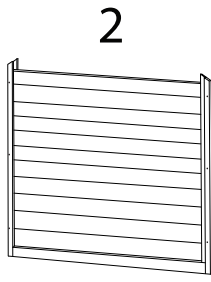


7 x 2

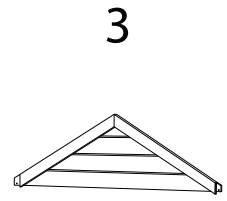




x 1



x 1



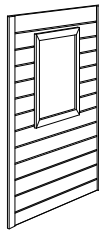
x 2

4



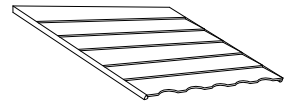
x 2

5



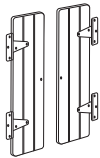
x 2

6



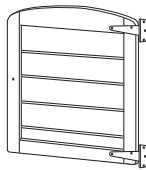
x 2

7



x 2

8



x 1

9



x 1

10



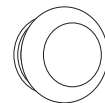
x 1

11



x 2

12



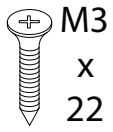
x 1

13



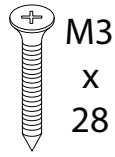
x 4

A



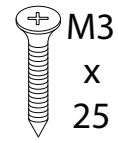
x 16

B



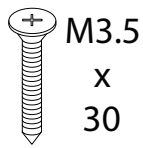
x 14

C



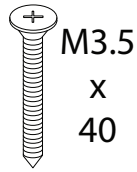
x 6

D



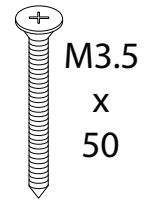
x 8

E



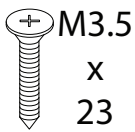
x 1

F



x 12

G



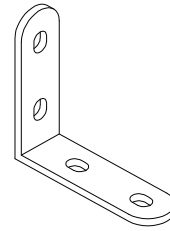
x 8

H



x 30

I



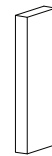
x 4

J



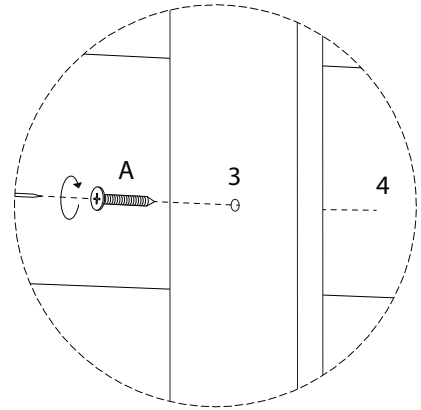
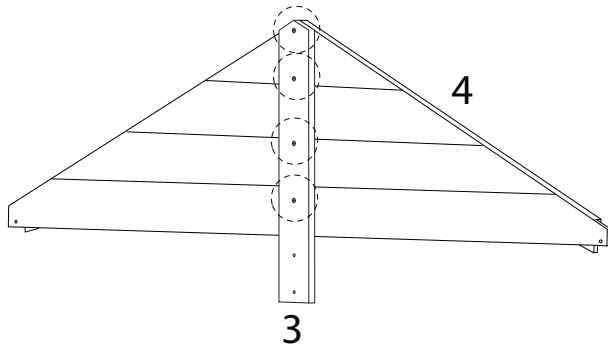
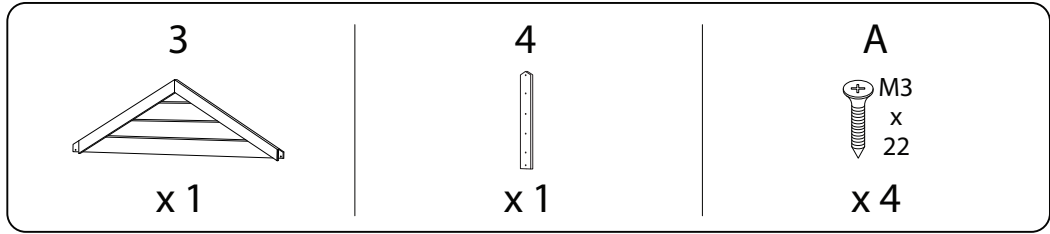
x 8

K

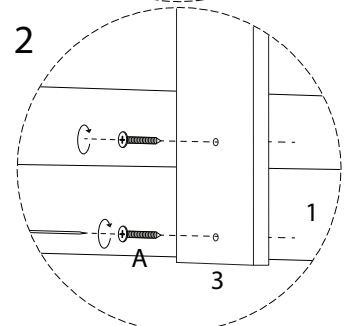
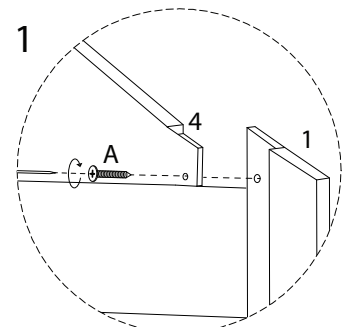
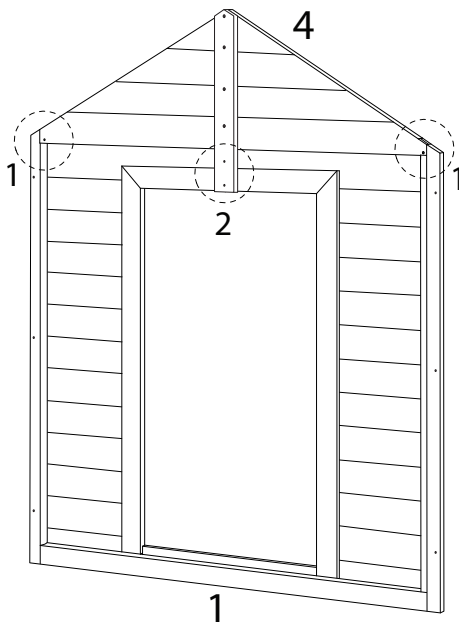
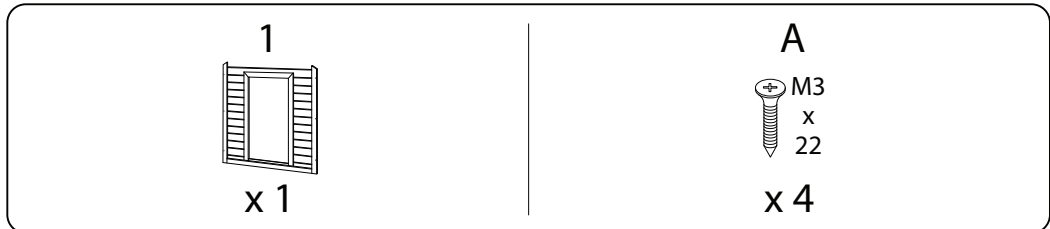


x 2

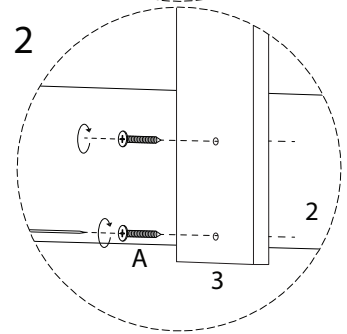
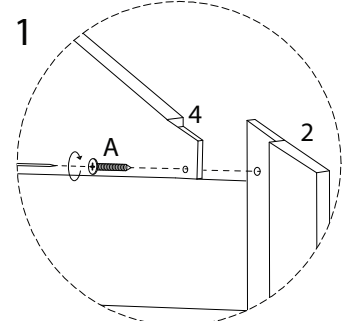
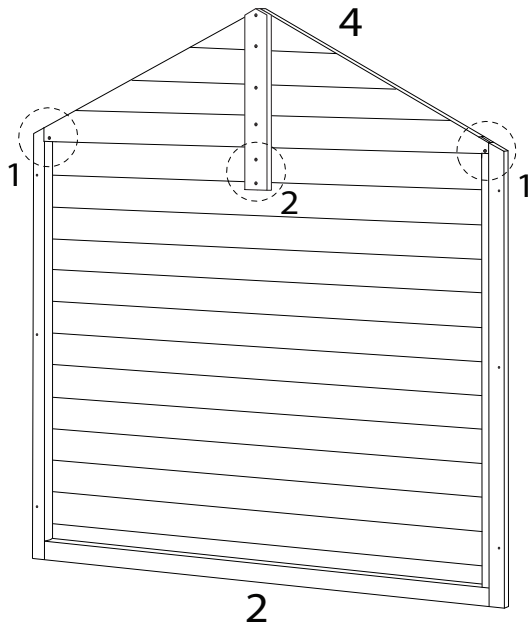
1 x 2



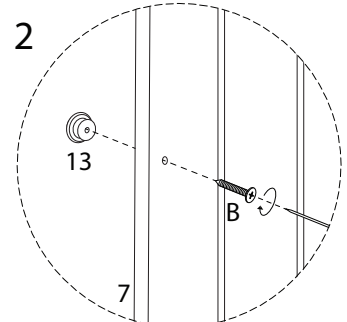
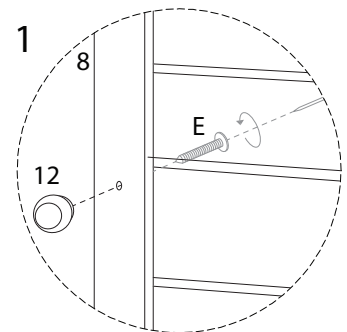
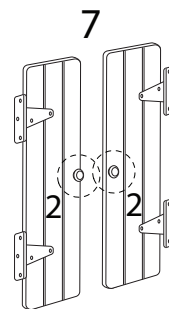
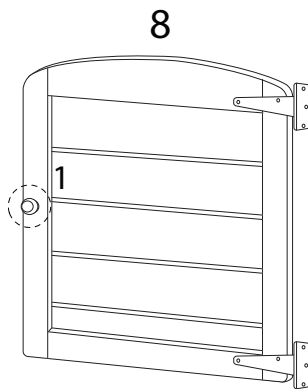
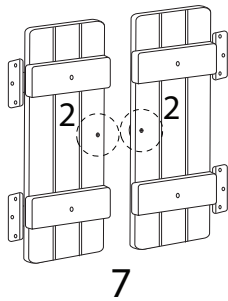
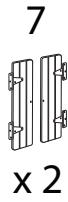
2



3



4



5

H

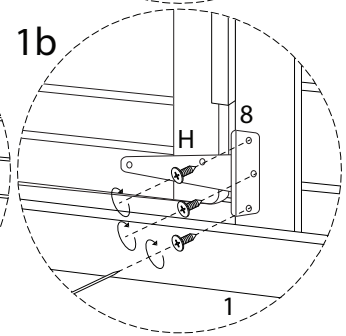
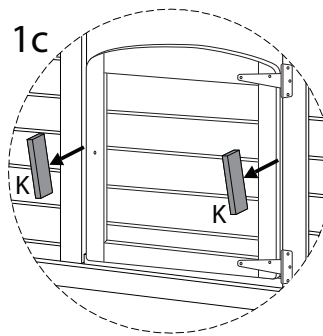
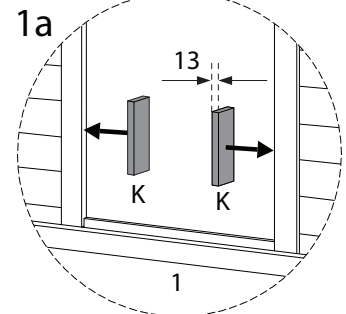
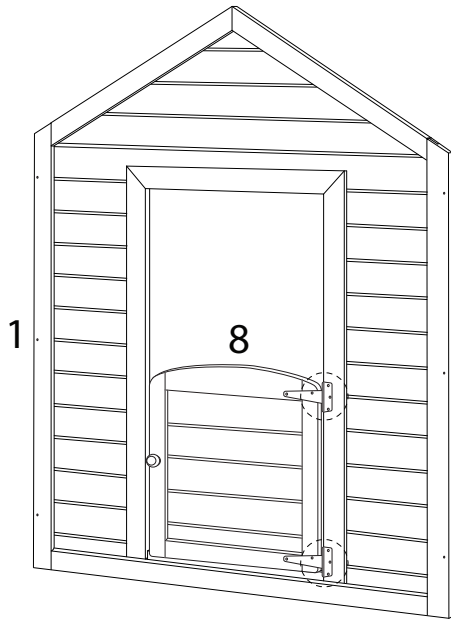


x 6

K



x 2



6 x 2

H

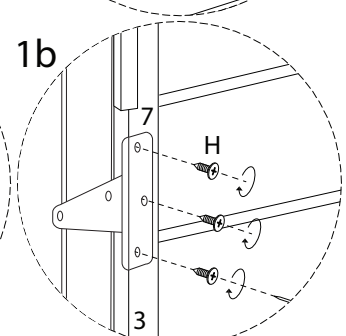
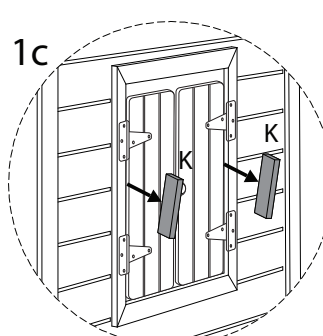
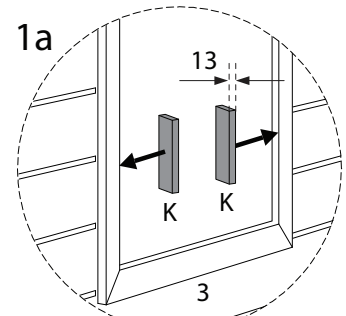
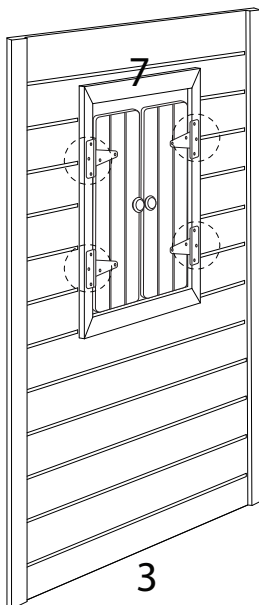


x 12

K



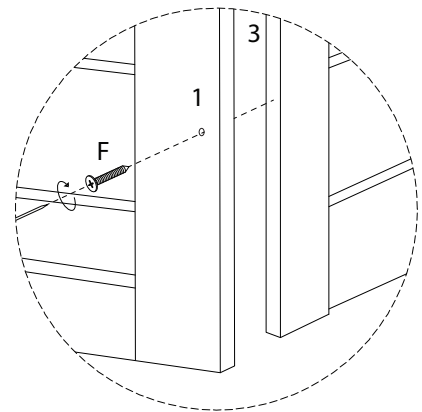
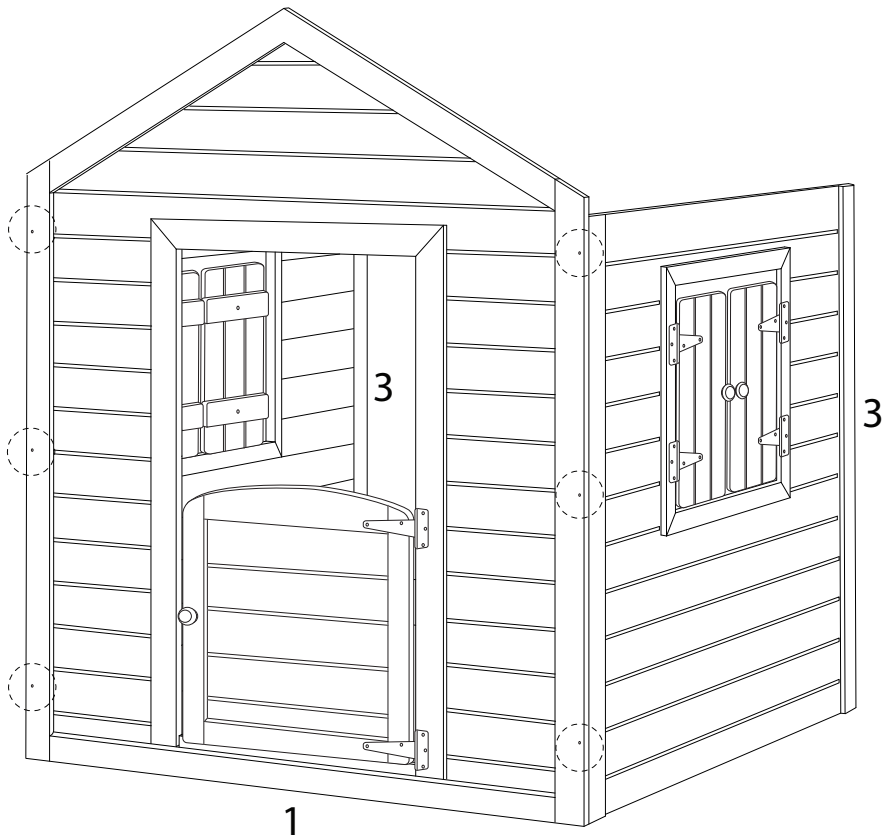
x 2





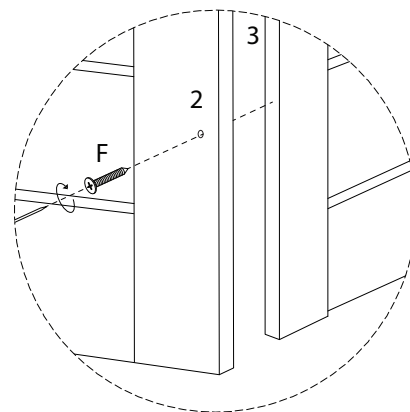
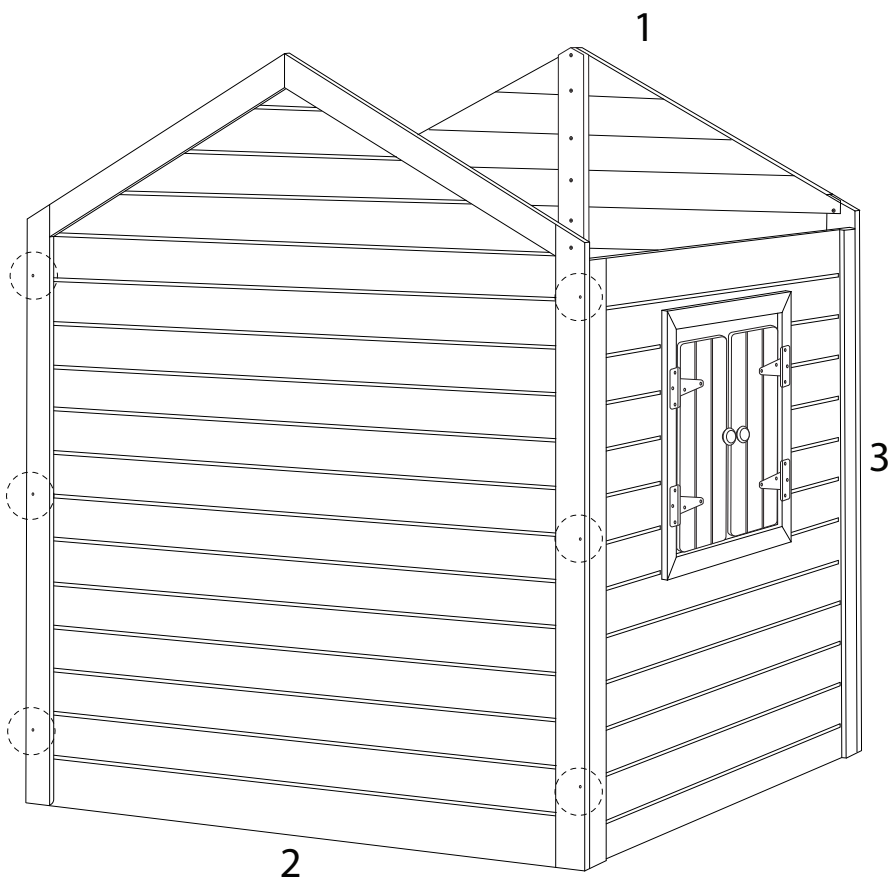
7

F  
M3.5  
x  
50  
x 6



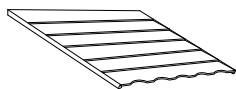
8

F  
M3.5  
x  
50  
x 6



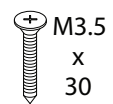
9

6

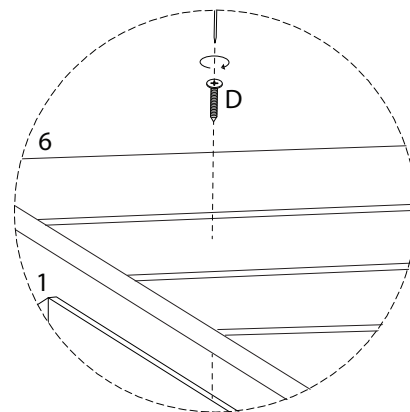
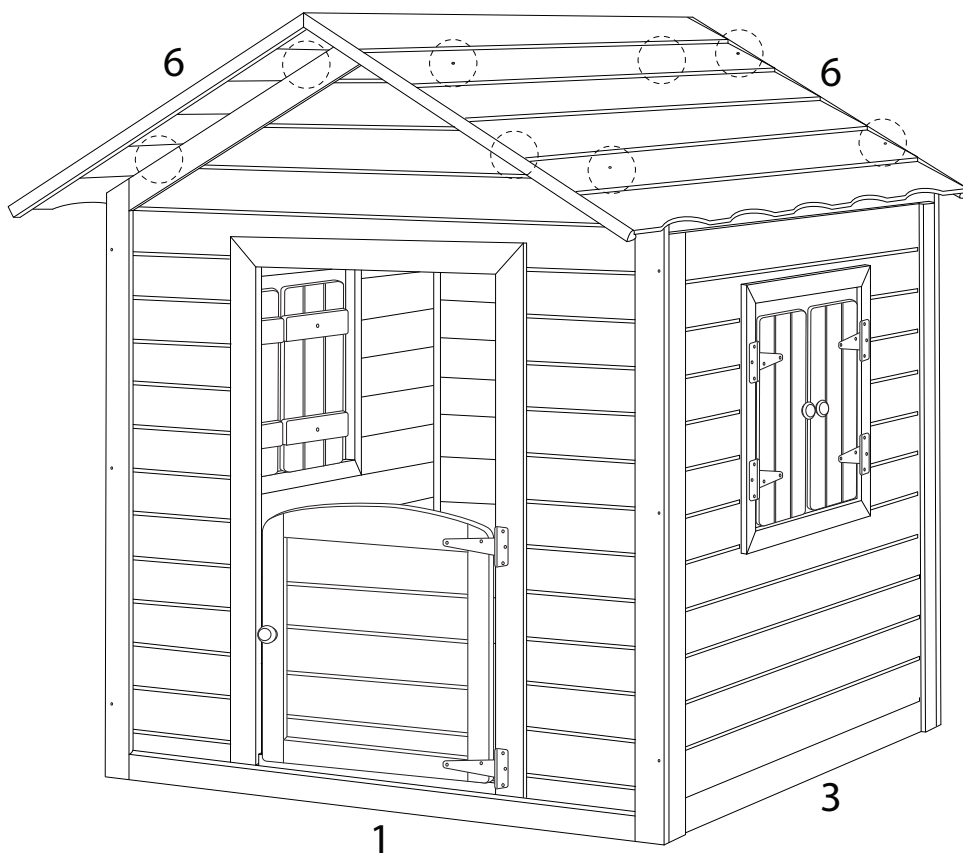


x 2




D

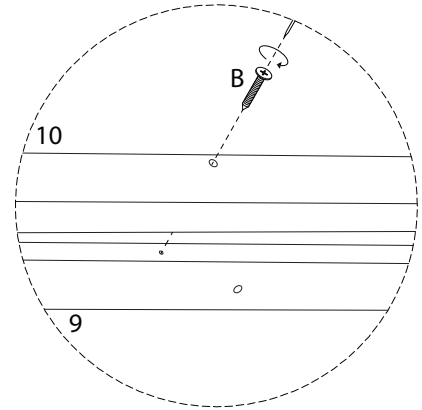
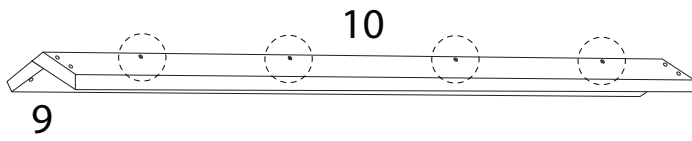


x 8

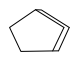



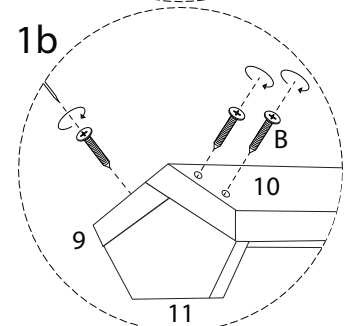
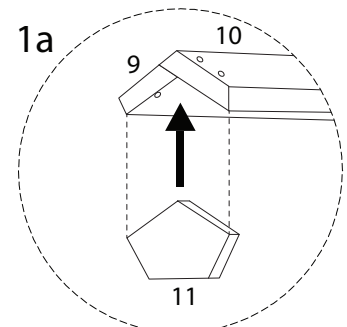
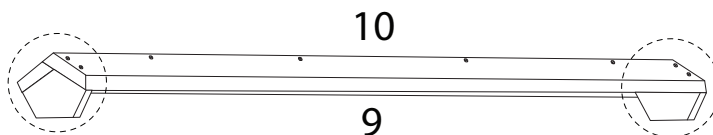
10

9  x1	10  x1	B  x4
--	--	--



11

11  x2	B  x6
---	--

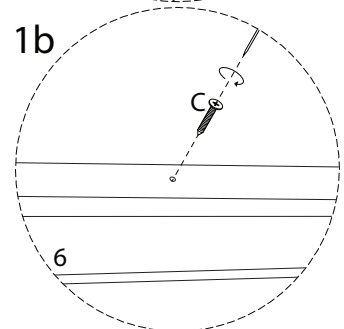
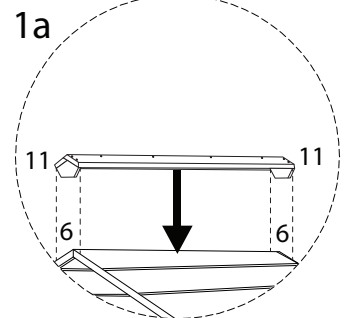
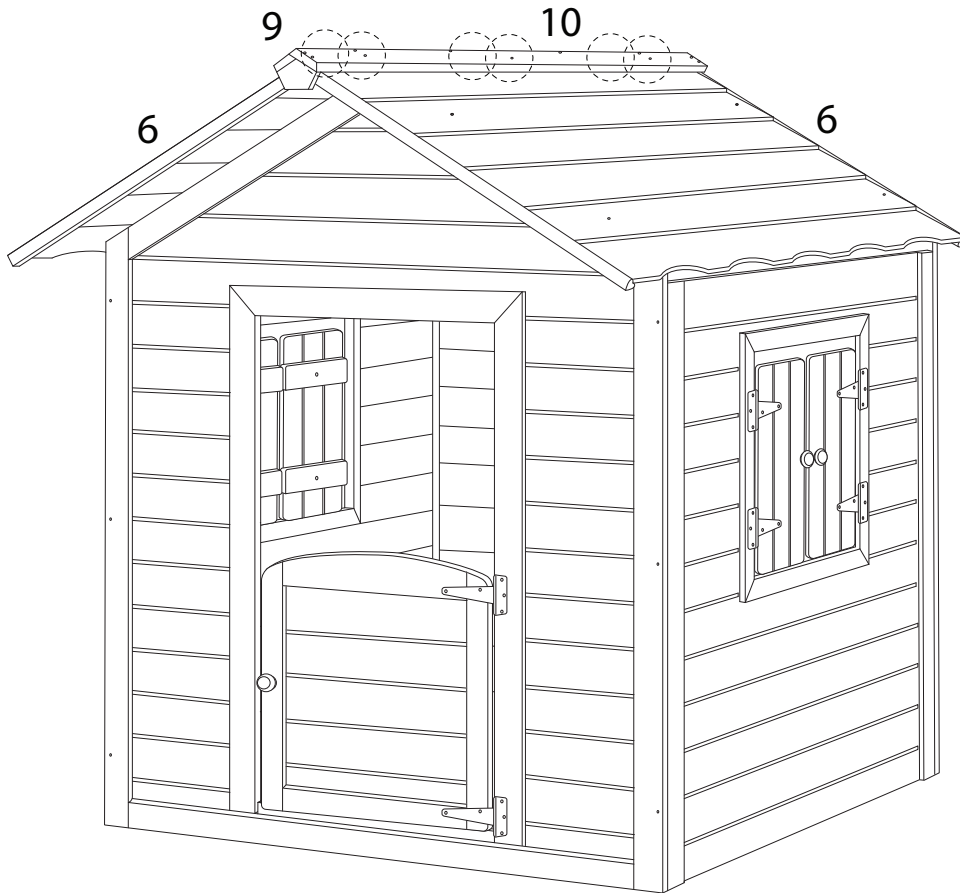


12

C



x 6



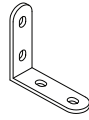
13

G



x 8

I



x 4

J



x 8

