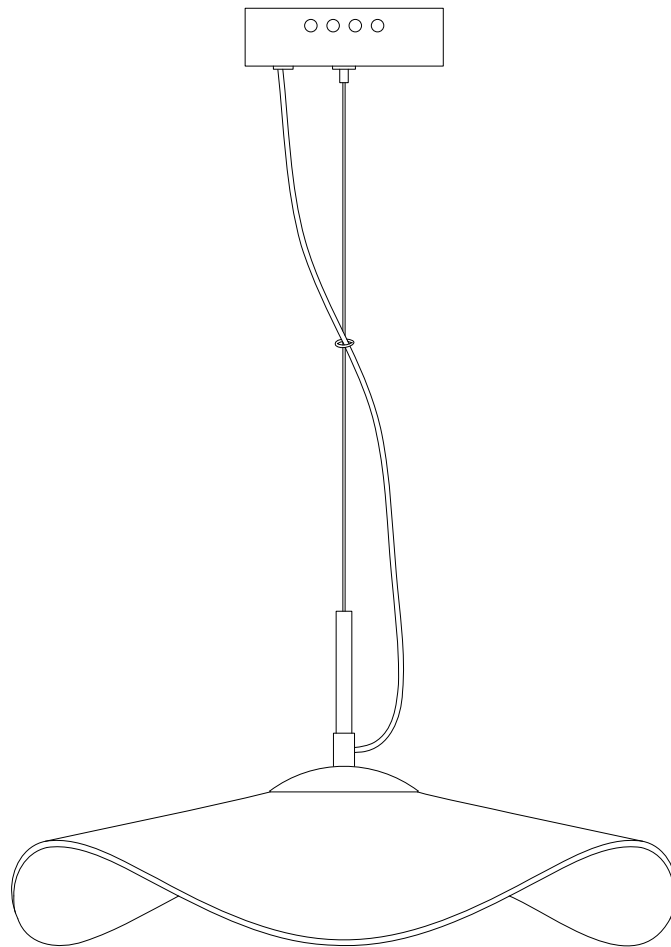
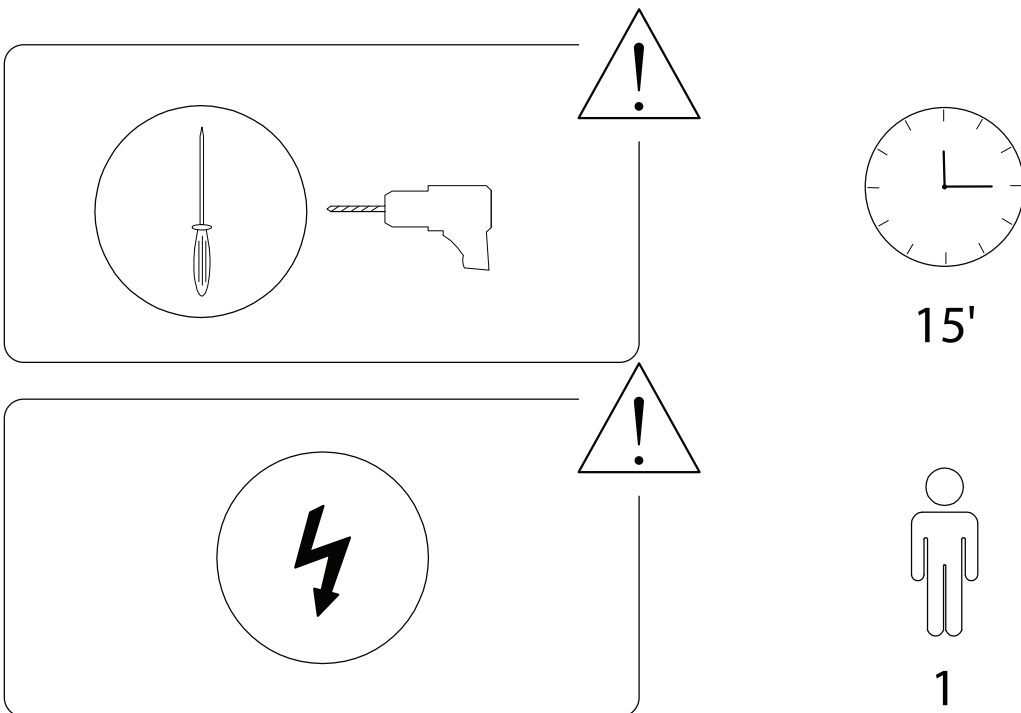
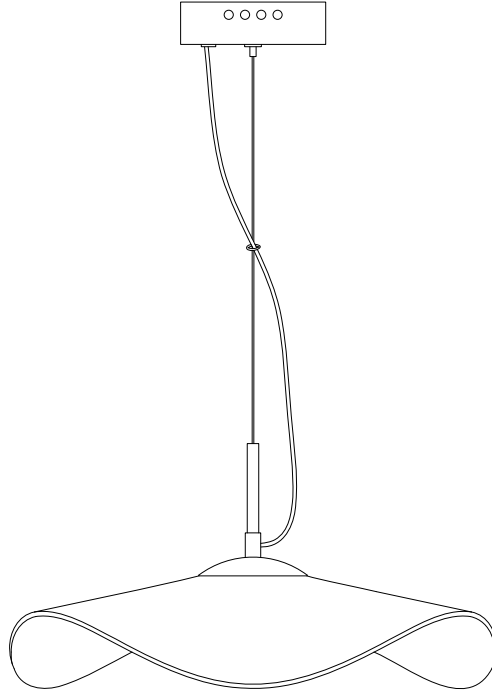
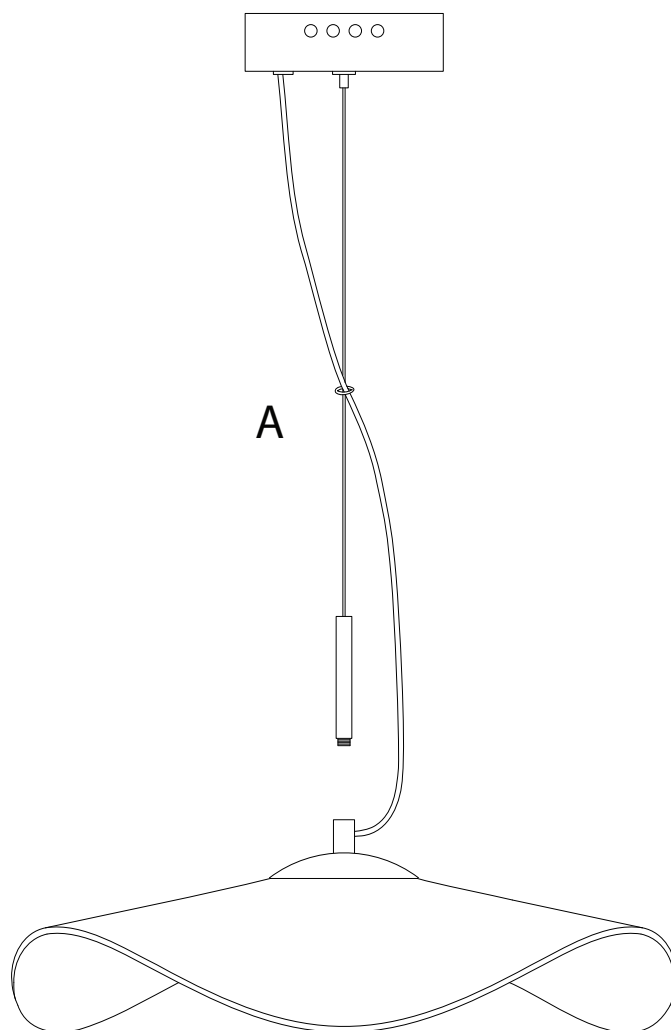


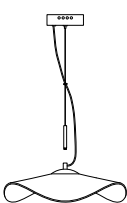
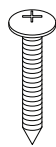

LOIRE



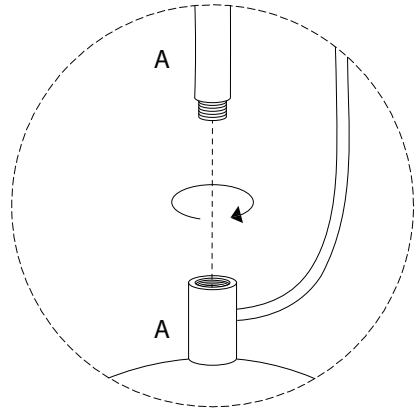
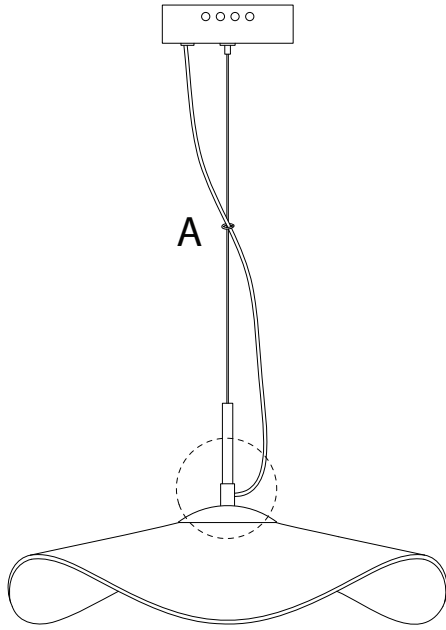


1/4

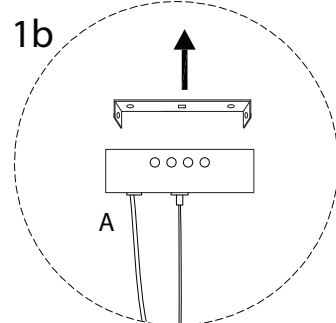
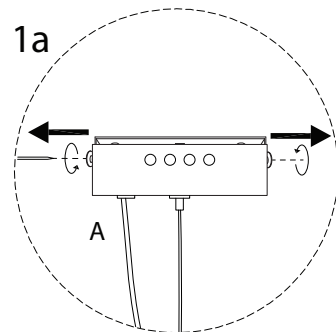
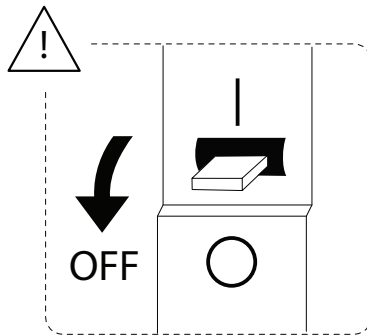
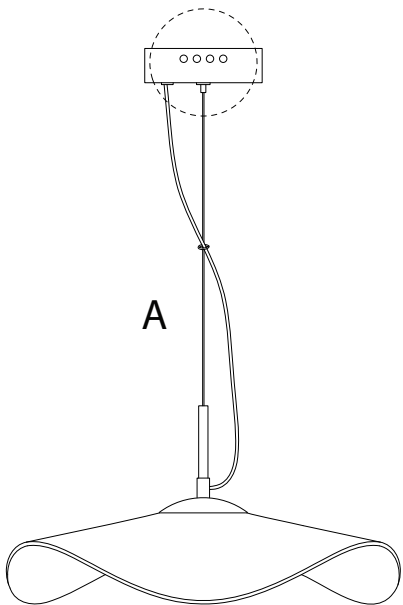


A	B	C
		
x 1	x 2	x 2

1

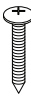


2



3

B

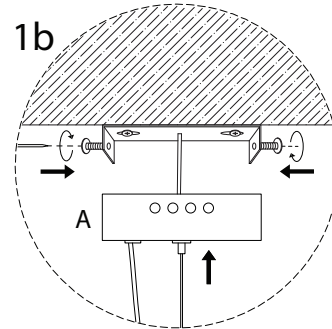
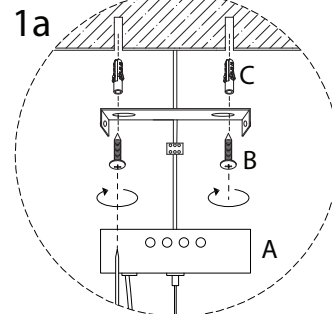
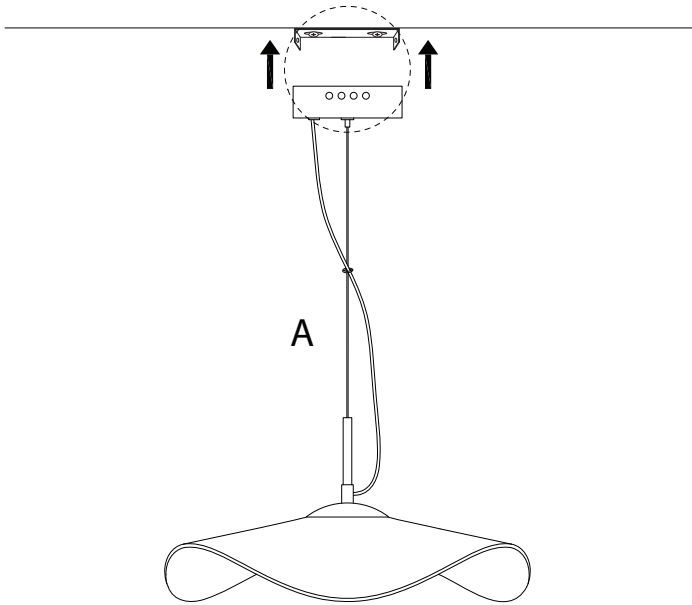


x 2

C



x 2



!

