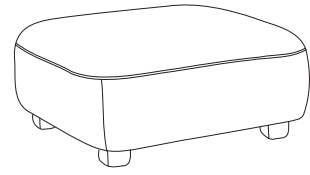
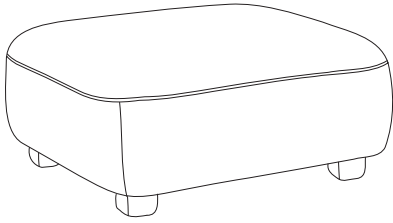
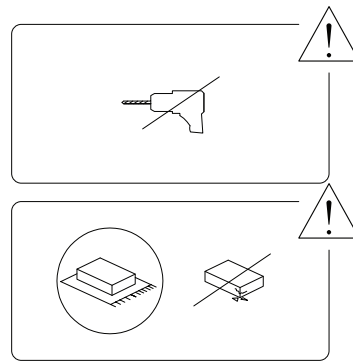


AMLI

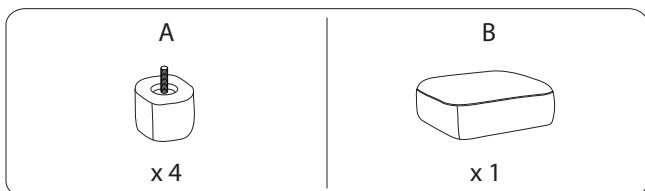
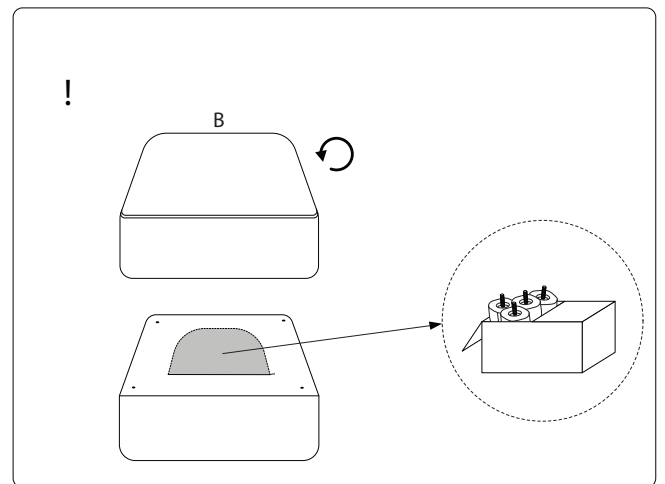
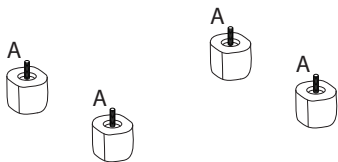
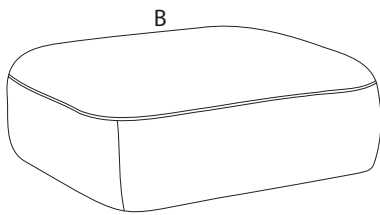


1/5



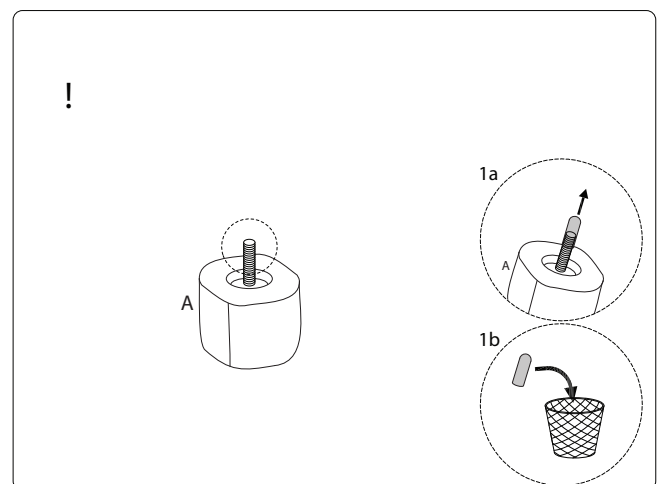
2/5

713/AMLI/110526



3/5

713/AMLI/110526



4/5

713/AMLI/110526

1

