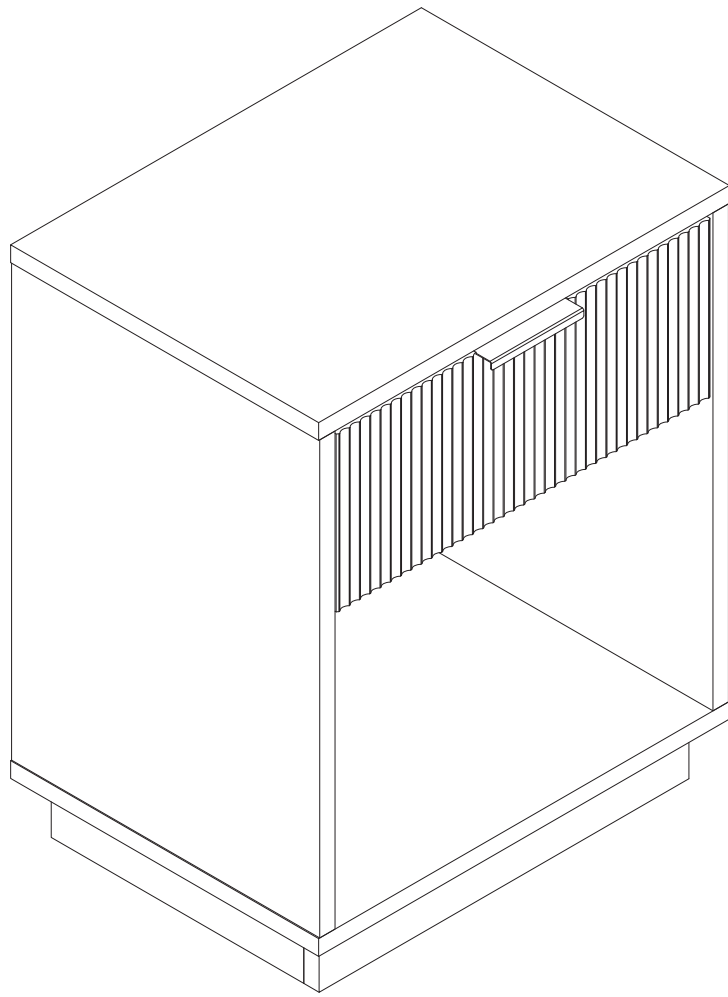
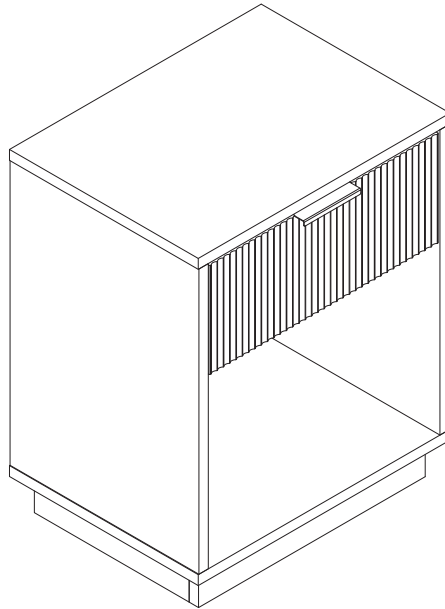
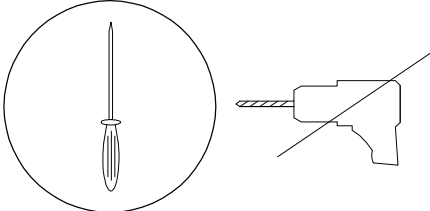

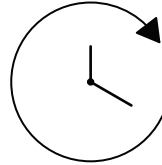
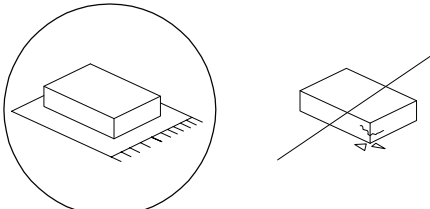




# SUMMERVILLE

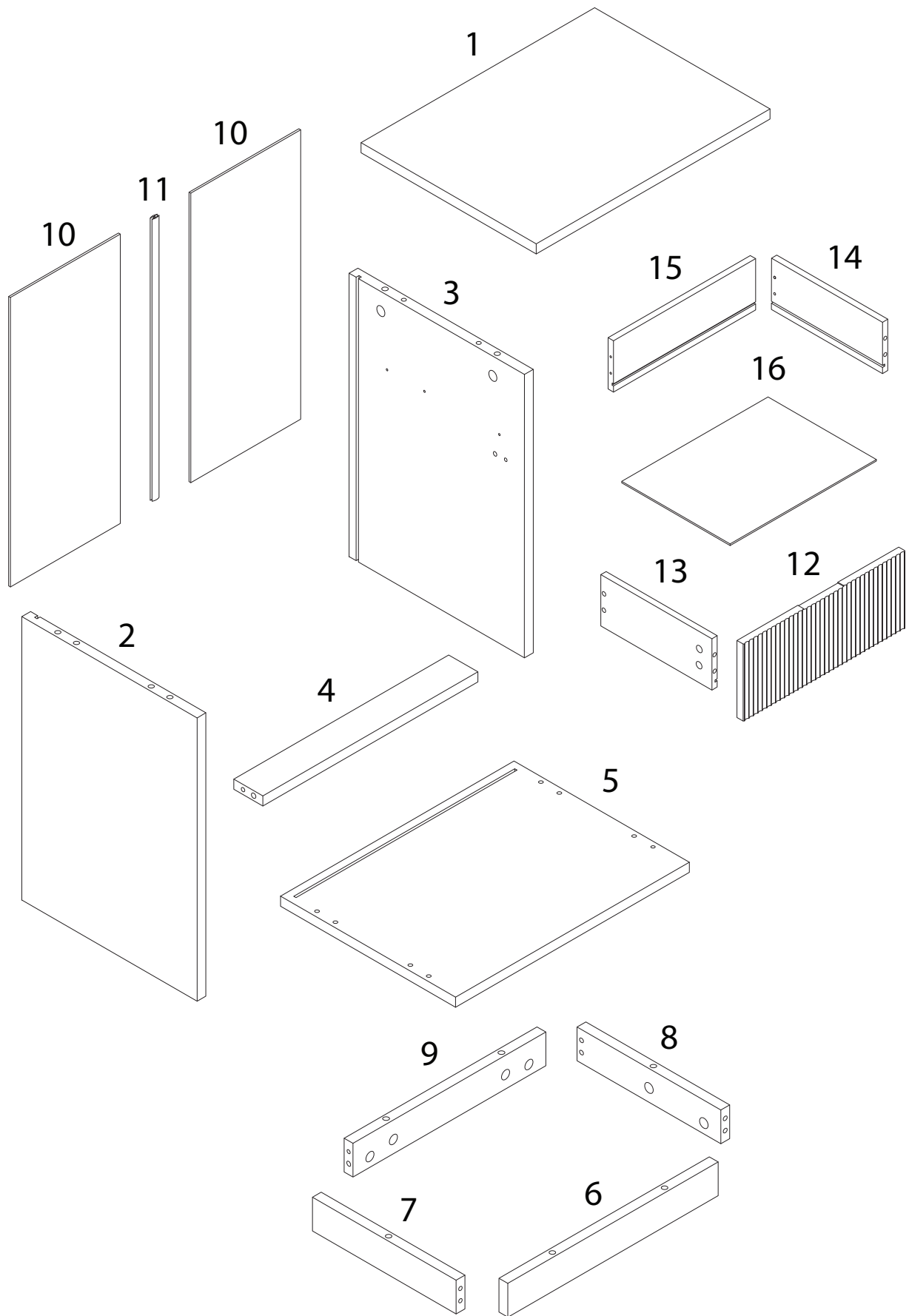




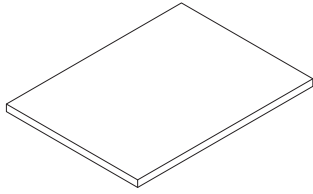
		
		

20'

1

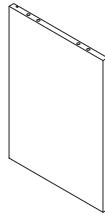


1



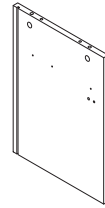
x 1

2



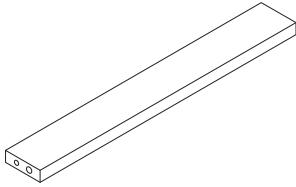
x 1

3



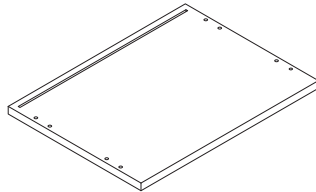
x 1

4



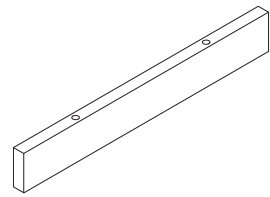
x 1

5



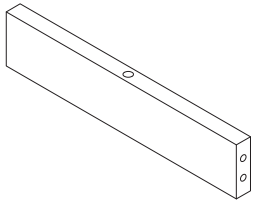
x 1

6



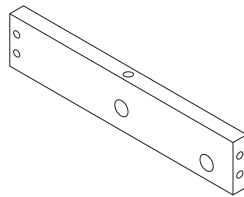
x 1

7



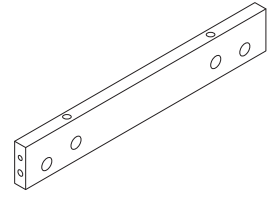
x 1

8



x 1

9



x 1

10



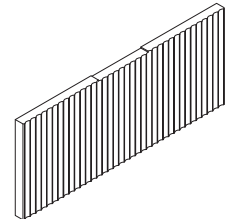
x 2

11



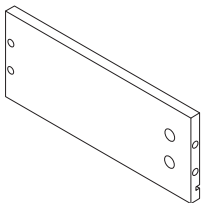
x 1

12



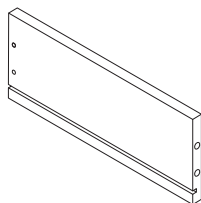
x 1

13



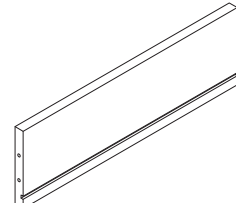
x 1

14



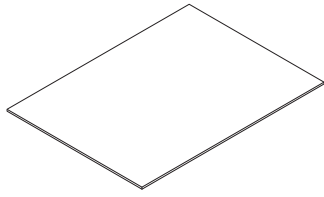
x 1

15



x 1

16



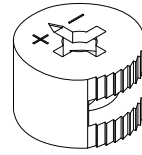
x 1

A



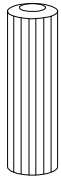
x 20

B



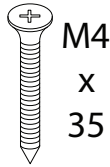
x 20

C



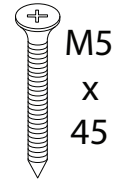
x 14

D



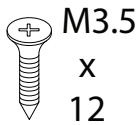
x 4

E



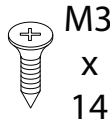
x 4

F



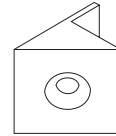
x 14

G



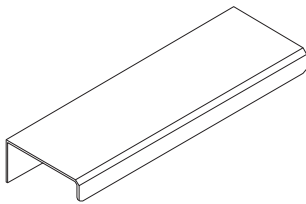
x 8

H



x 8

I



x 1

CL



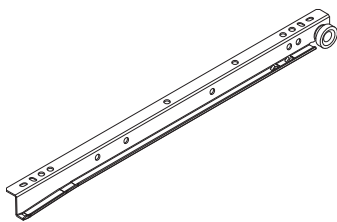
x 1

CR



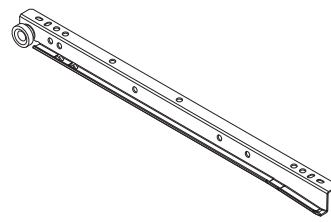
x 1

DL



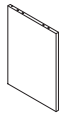
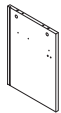




x 1

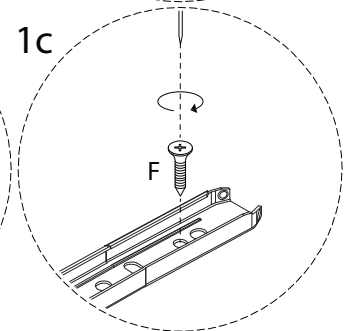
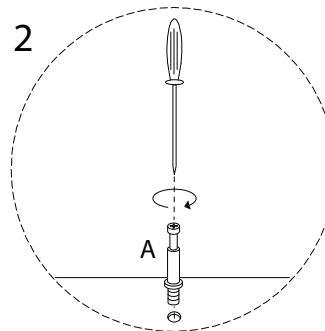
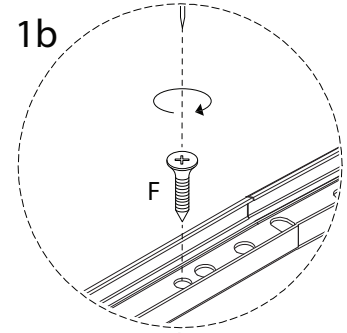
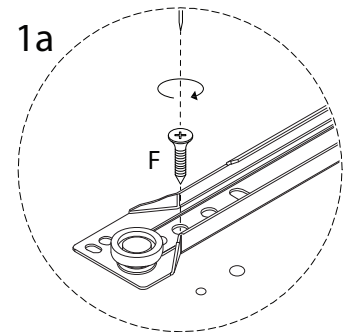
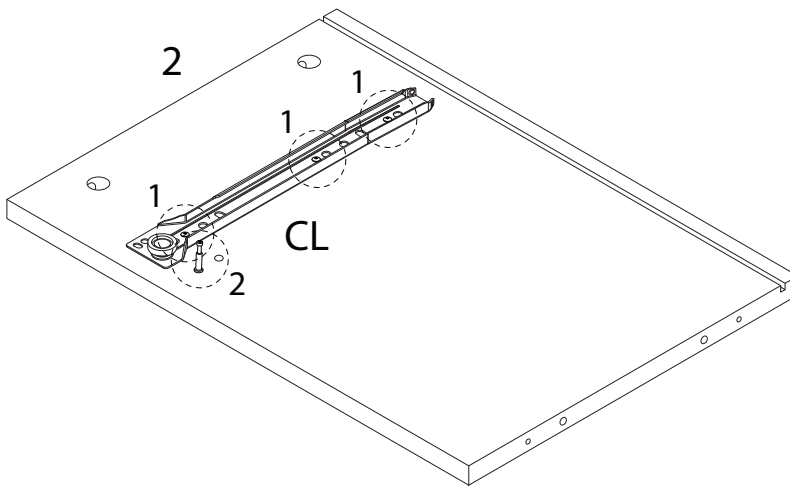
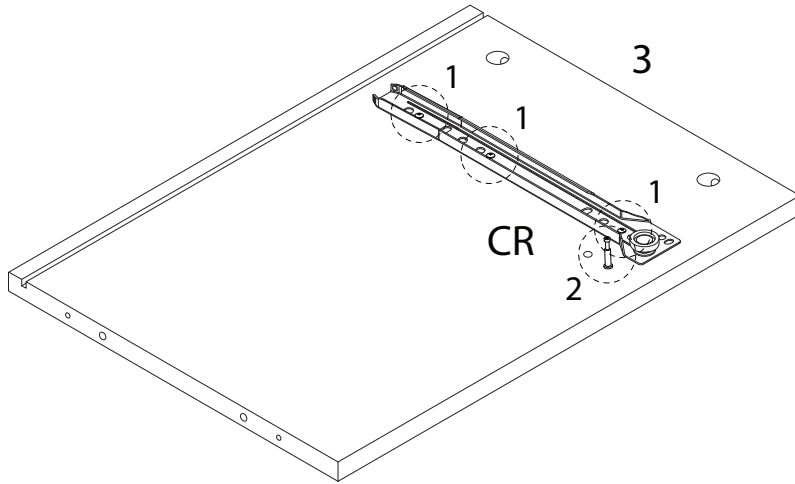
DR



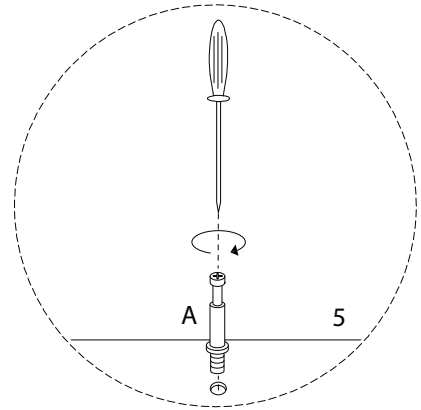
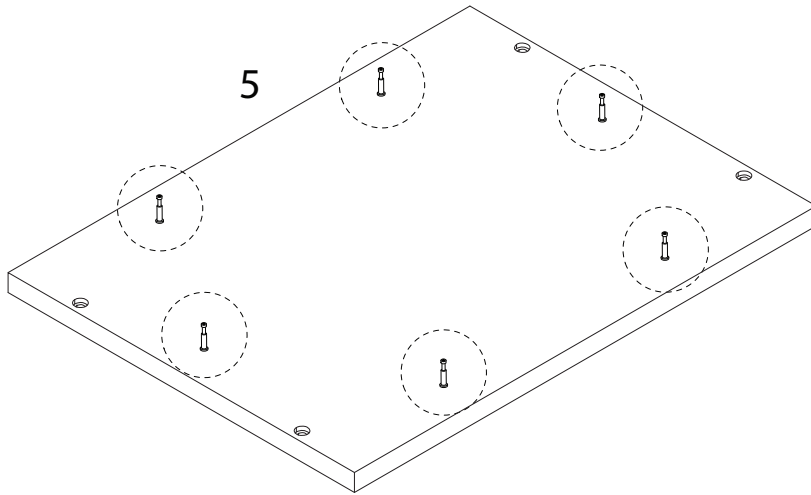
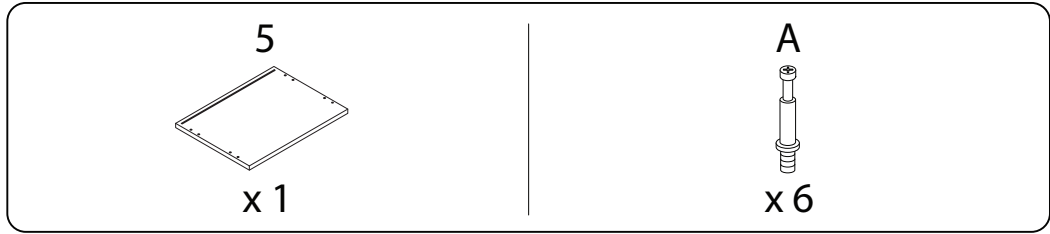
x 1

1

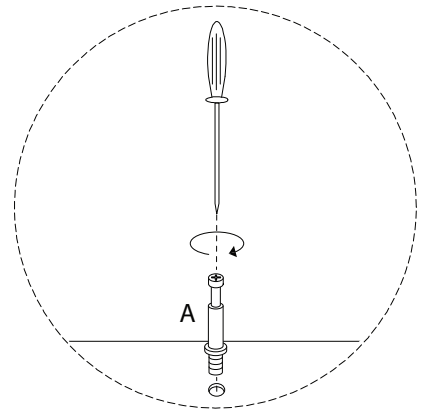
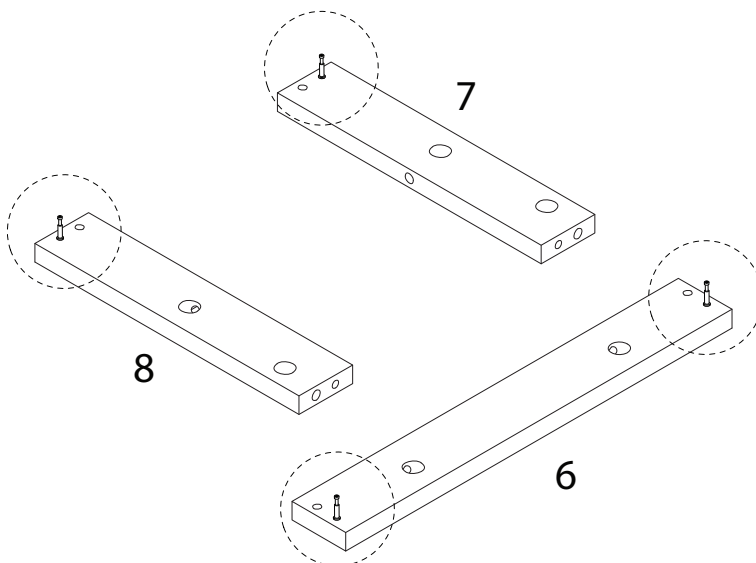
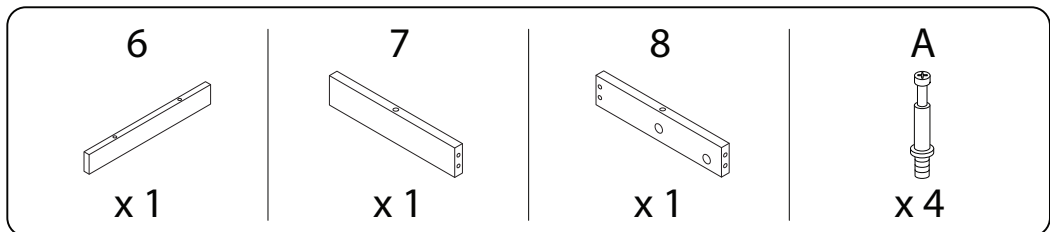
 2 x 1	 3 x 1	 A x 2	 F M3.5 x 12 x 6	 CL x 1	 CR x 1
---	---	---	---	--	--



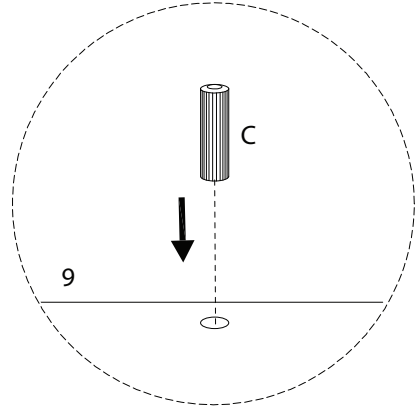
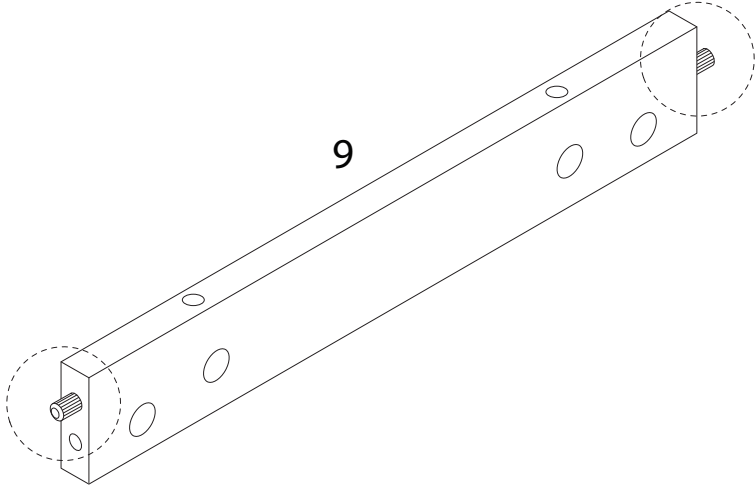
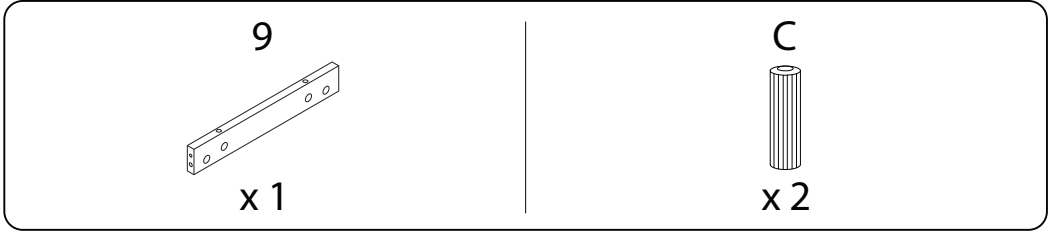
2



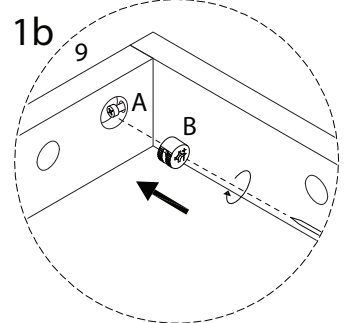
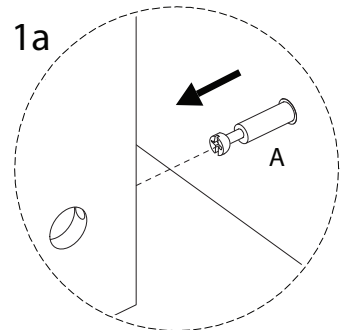
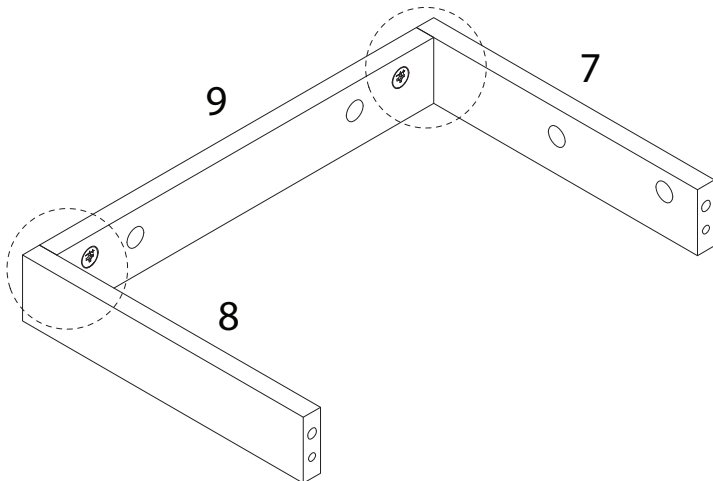
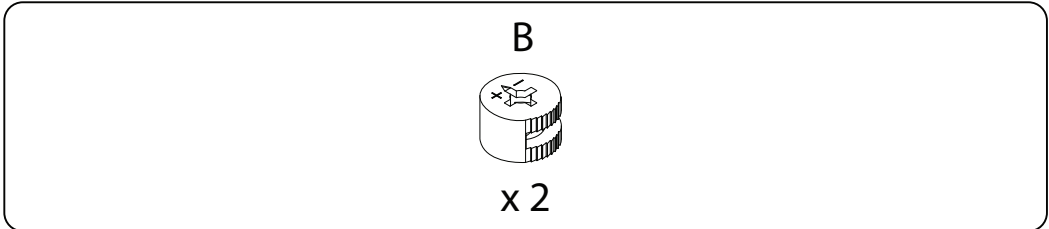
3



4



5



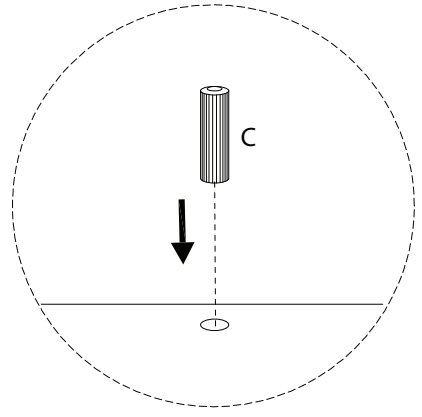
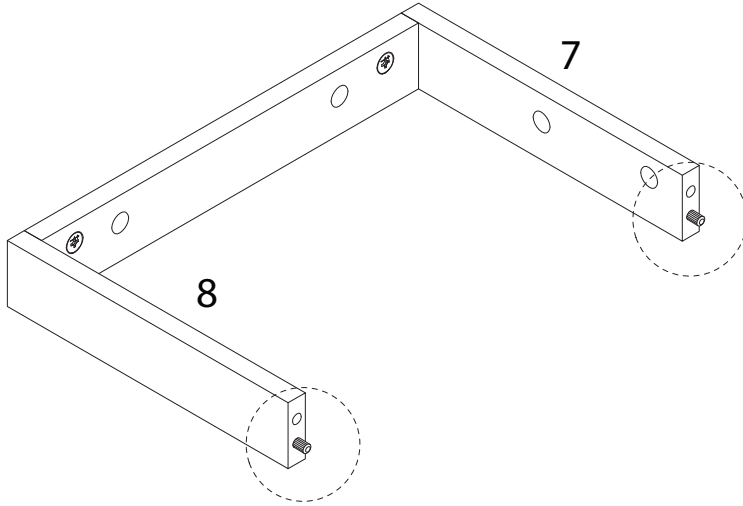


6

C

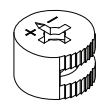


x2

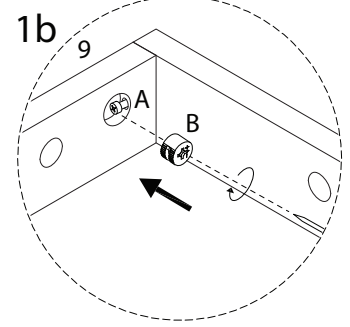
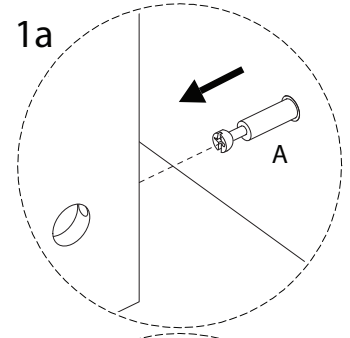
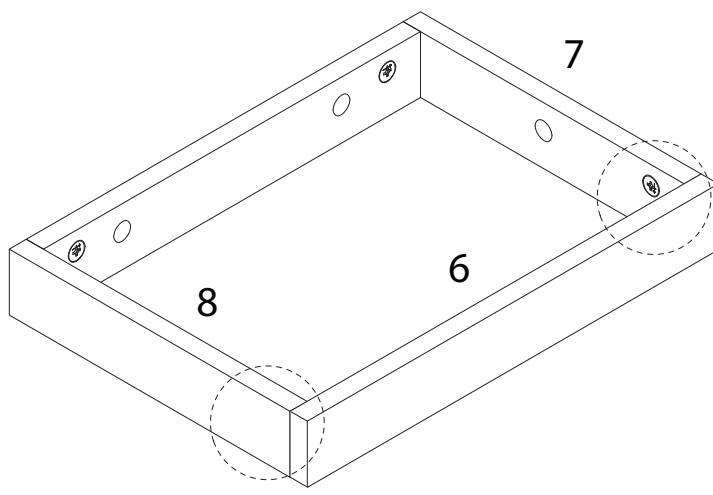


7

B



x2

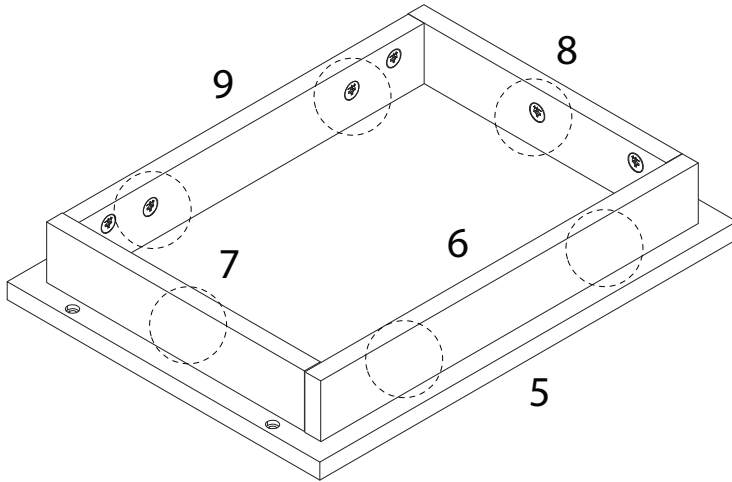


8

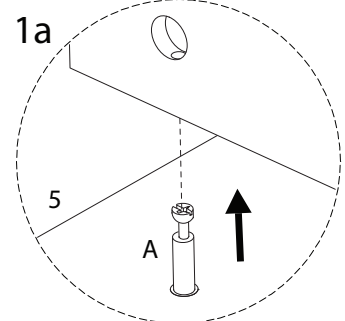
B



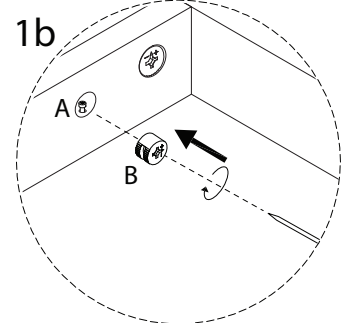
x 6



1a

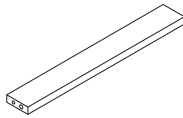


1b



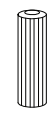
9

4

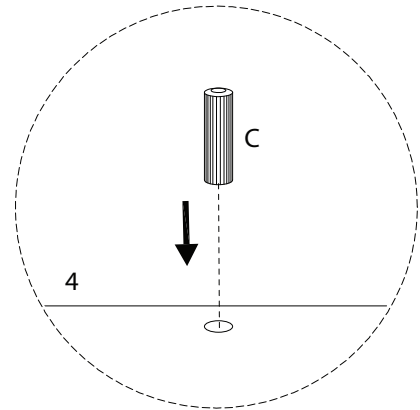
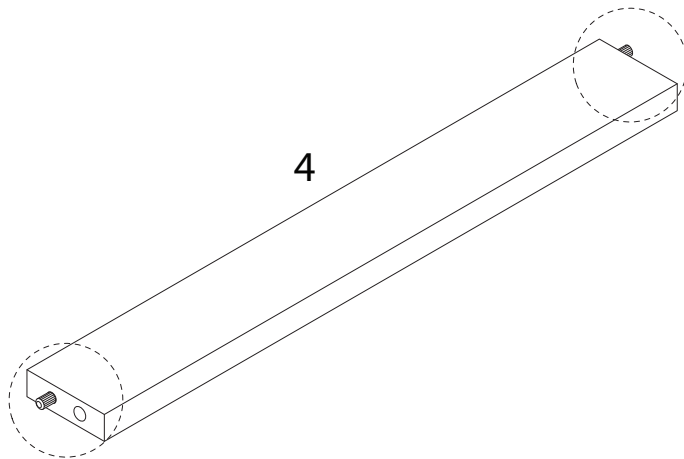


x 1

C

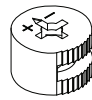


x 2

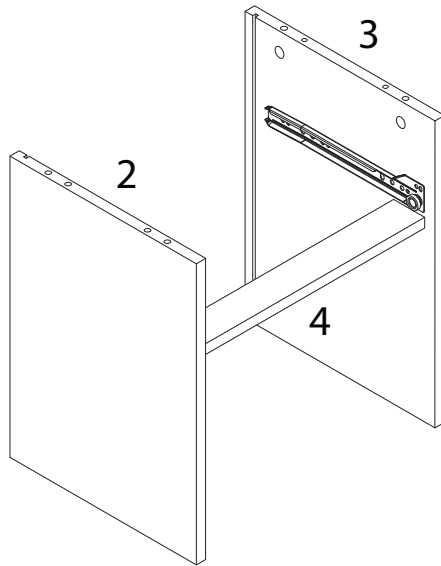


10

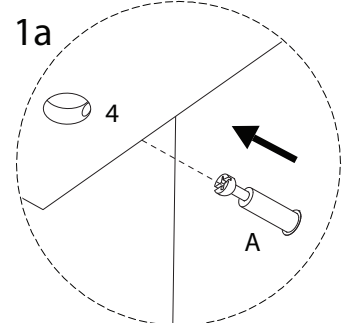
B



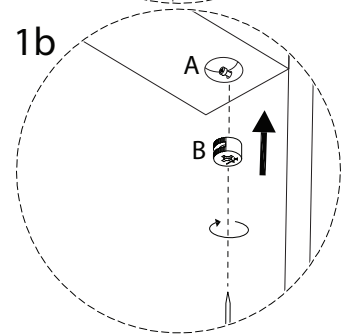
x 2



1a



1b

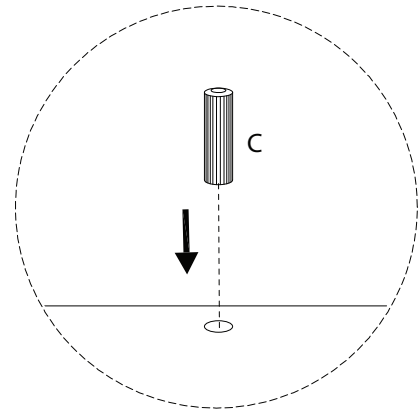
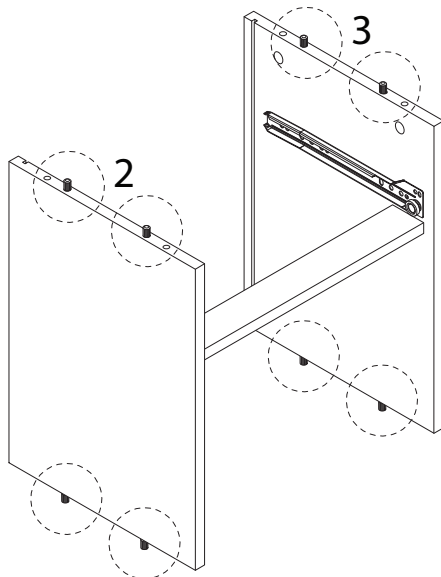


11

C

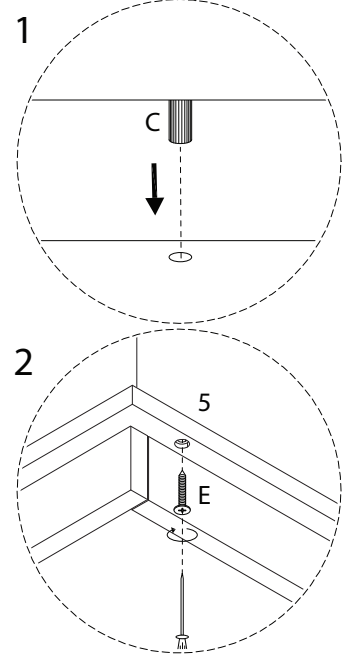
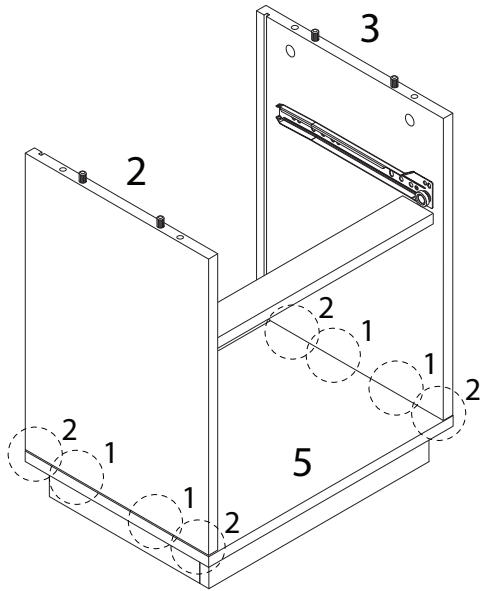


x 8



12

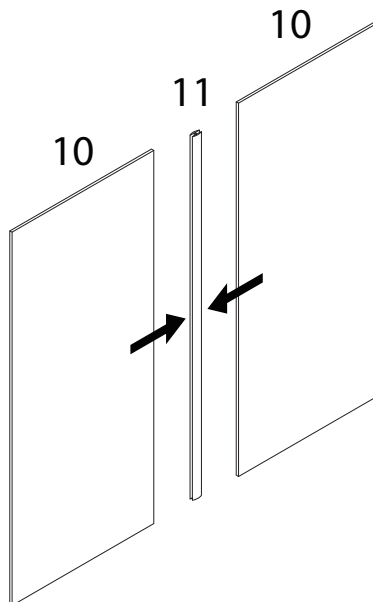
E  
M5  
x  
45  
x 4



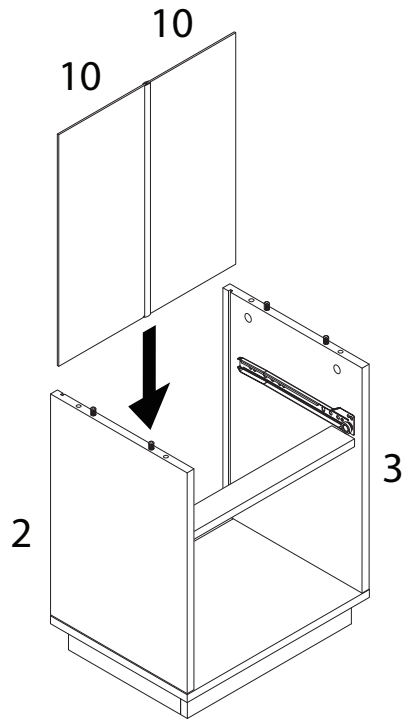
13

10  
x 2

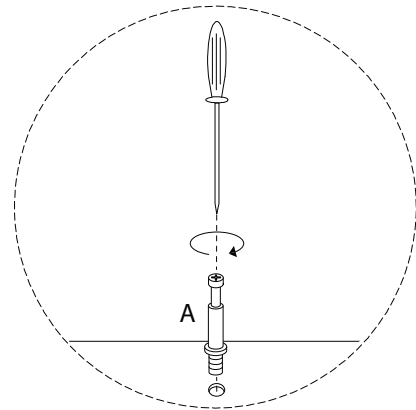
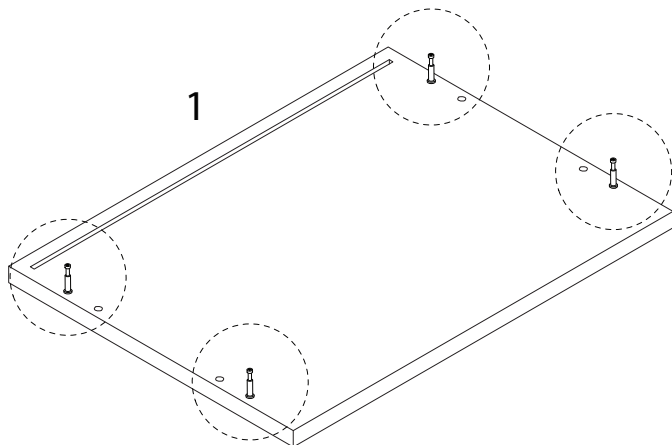
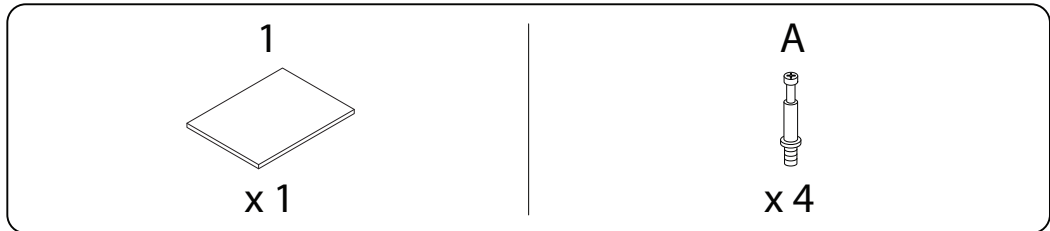
11  
x 1



14

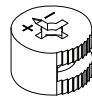


15

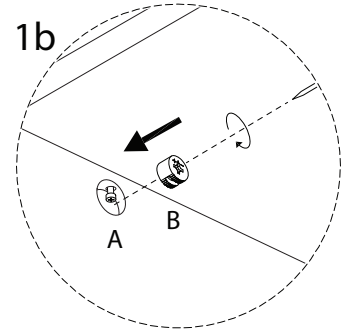
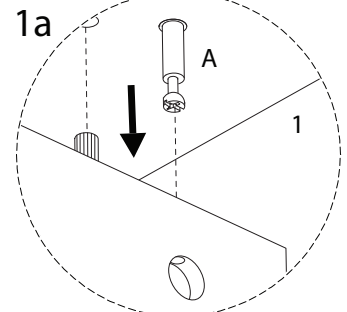
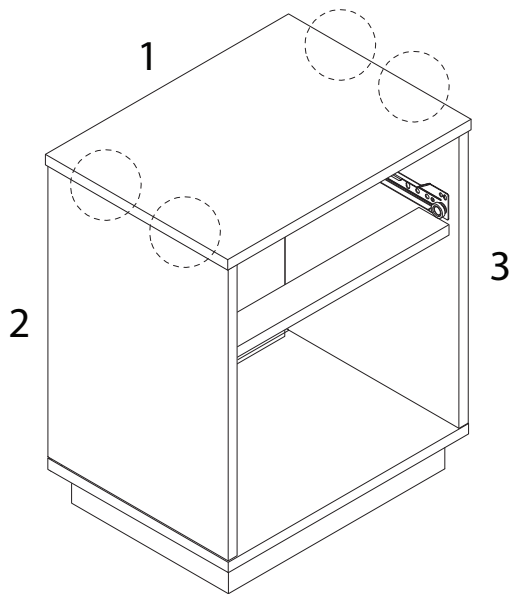


16

B

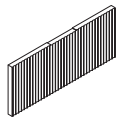


x 4



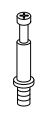
17

12

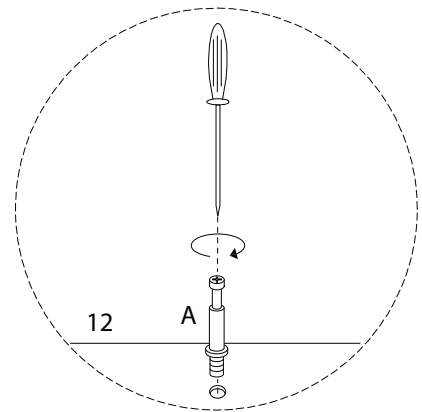
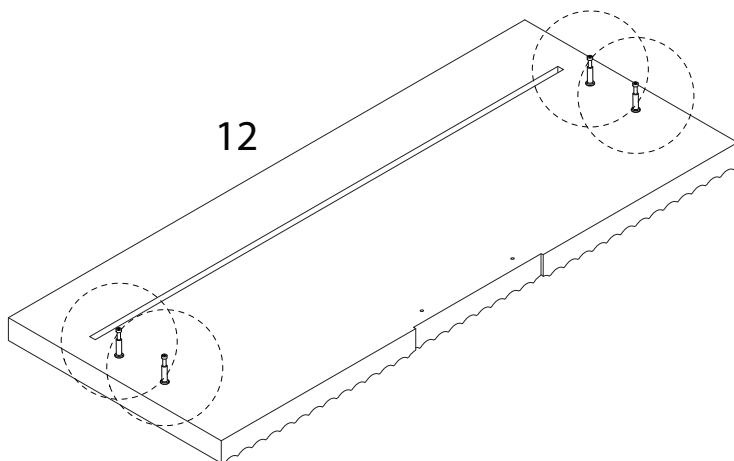


x 1

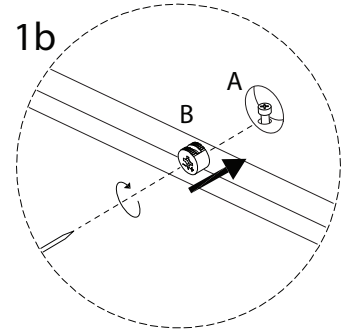
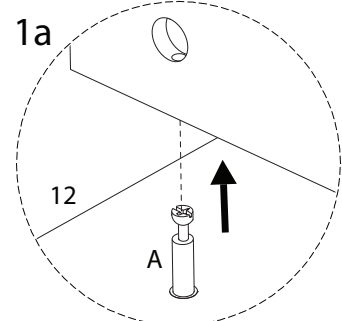
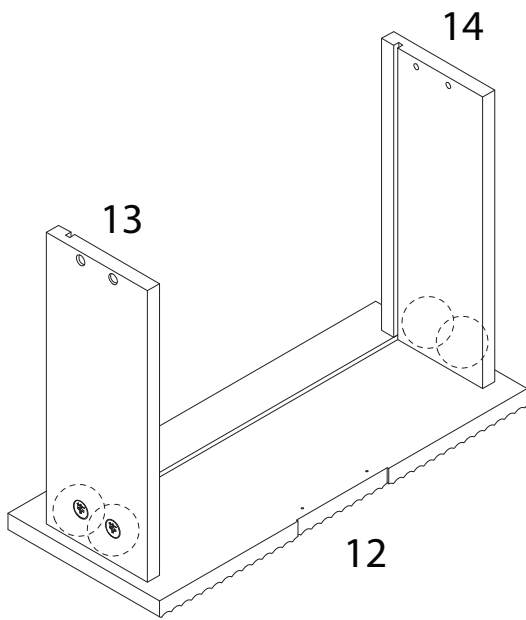
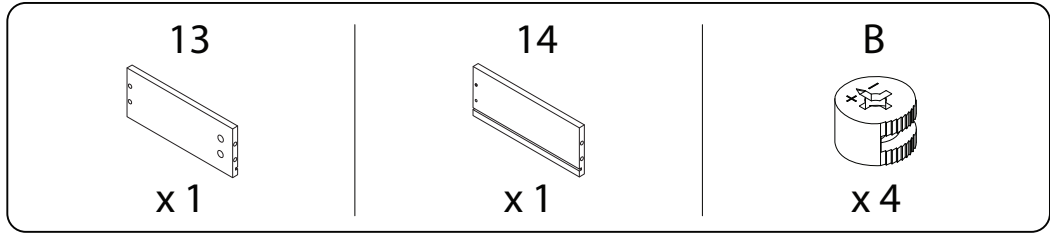
A



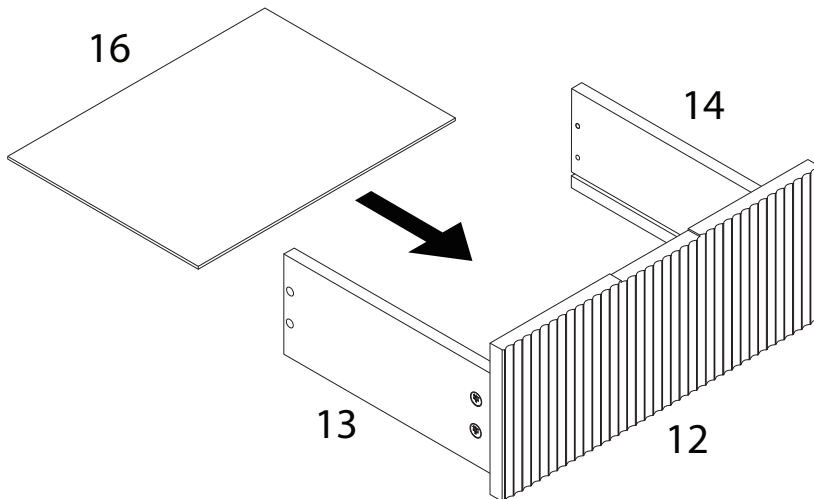
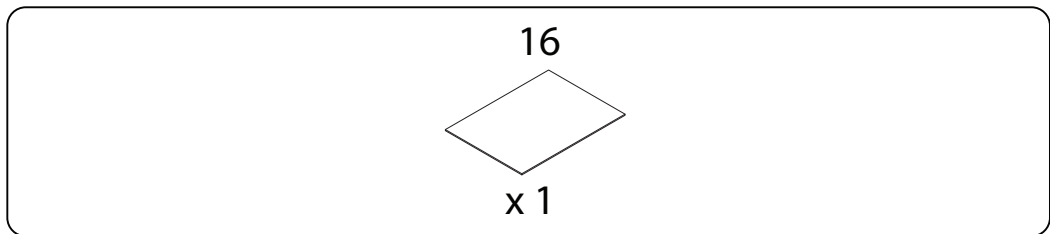
x 4



18

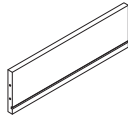


19



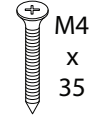
20

15

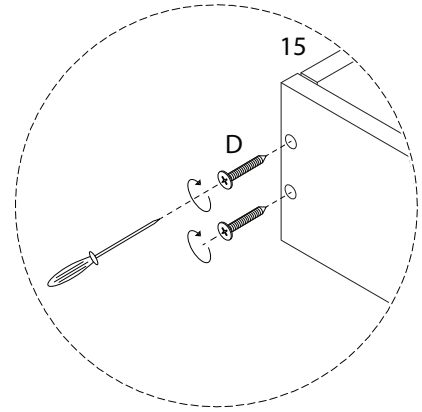
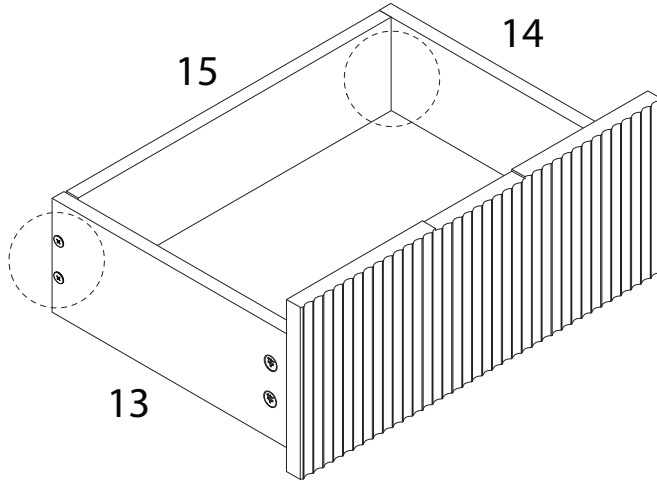


x 1

D



x 4



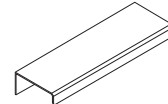
21

F

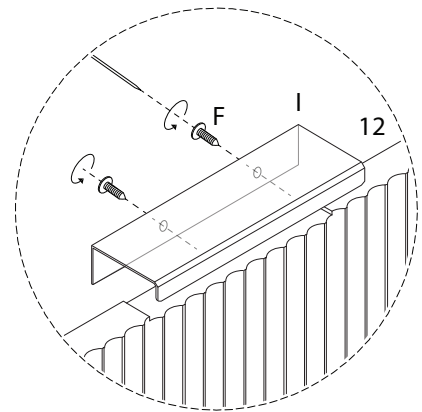
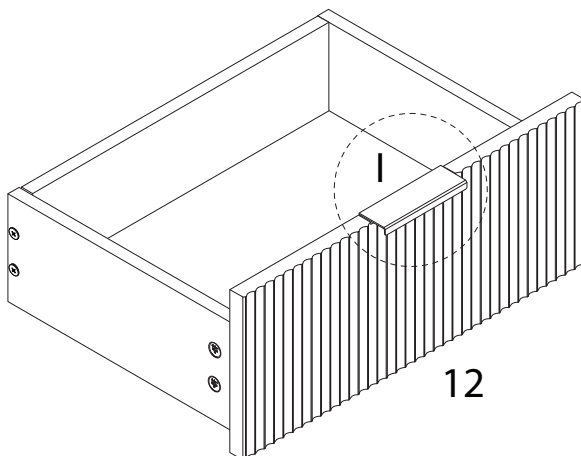


x 2

I



x 1



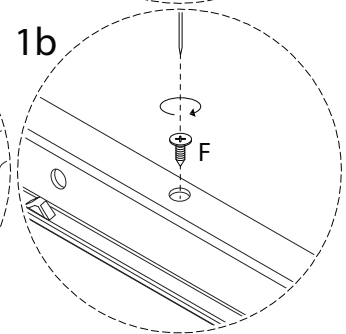
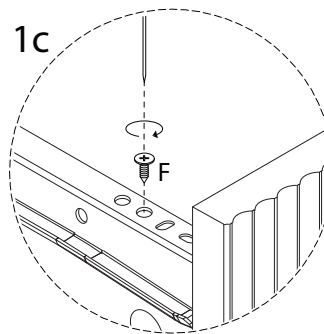
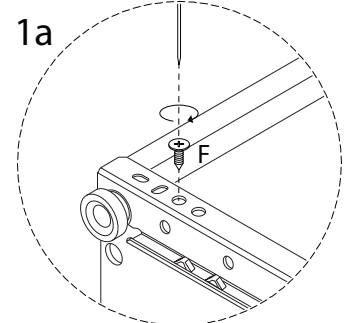
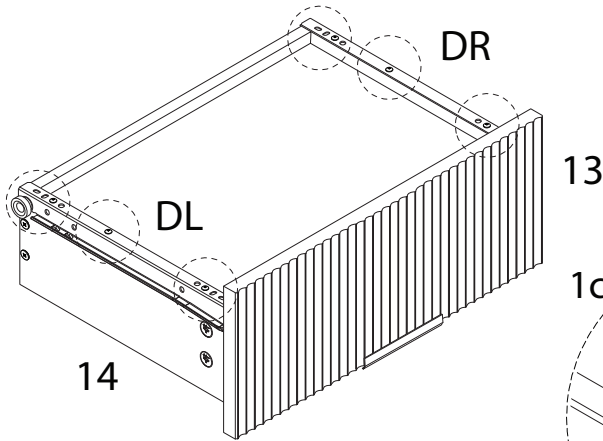


22

F  
M3.5  
x  
12  
x 6

DL  
x 1

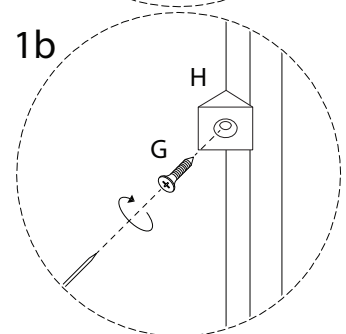
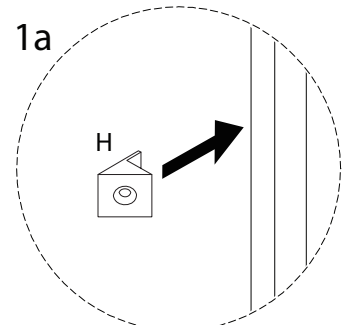
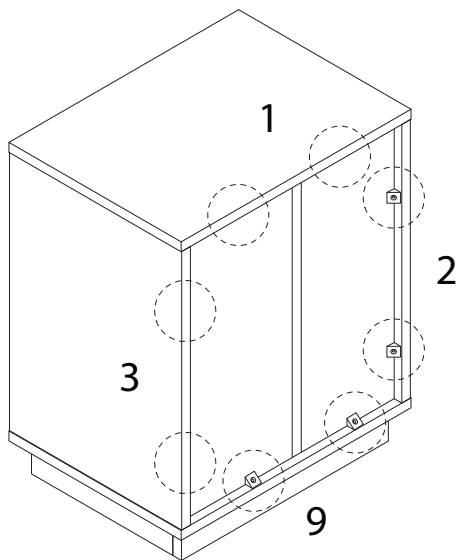
DR  
x 1



23

G  
M3  
x  
14  
x 8

H  
x 8



24

