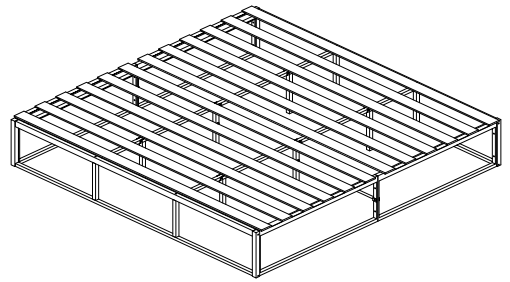
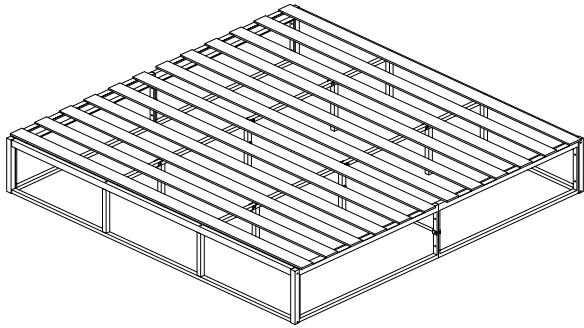


VIRY

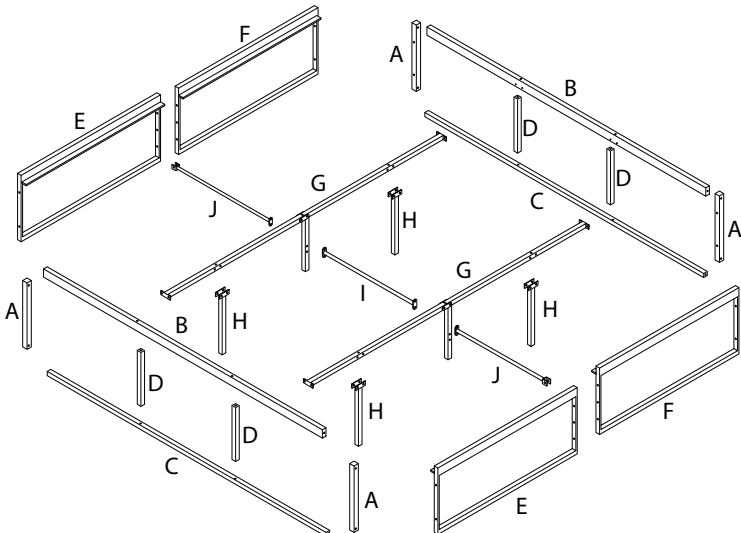
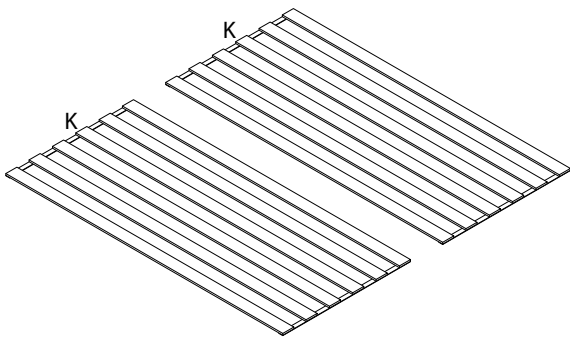


45'

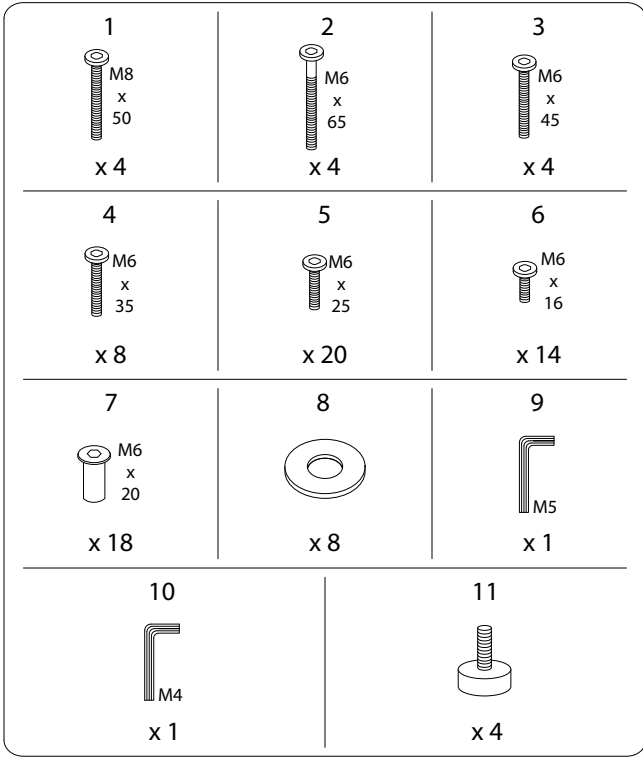
2

1/10

2057/VIRY/310124/

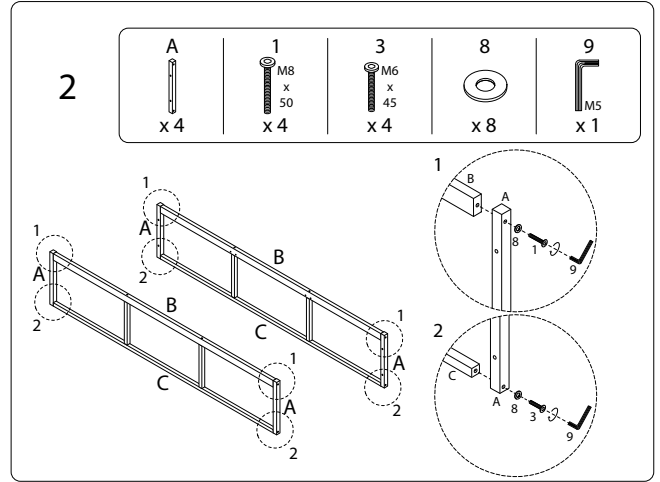
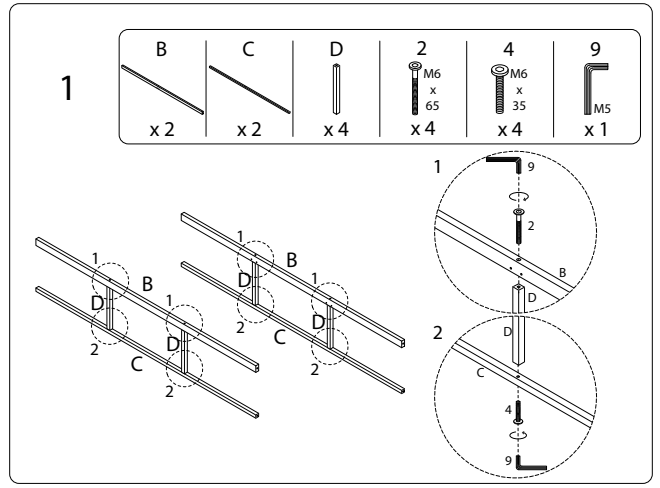


<p>A</p> <p>x 4</p>	<p>B</p> <p>x 2</p>	<p>C</p> <p>x 2</p>
<p>D</p> <p>x 4</p>	<p>E</p> <p>x 2</p>	<p>F</p> <p>x 2</p>
<p>G</p> <p>x 2</p>	<p>H</p> <p>x 4</p>	<p>I</p> <p>x 1</p>
<p>J</p> <p>x 2</p>	<p>K</p> <p>x 2</p>	



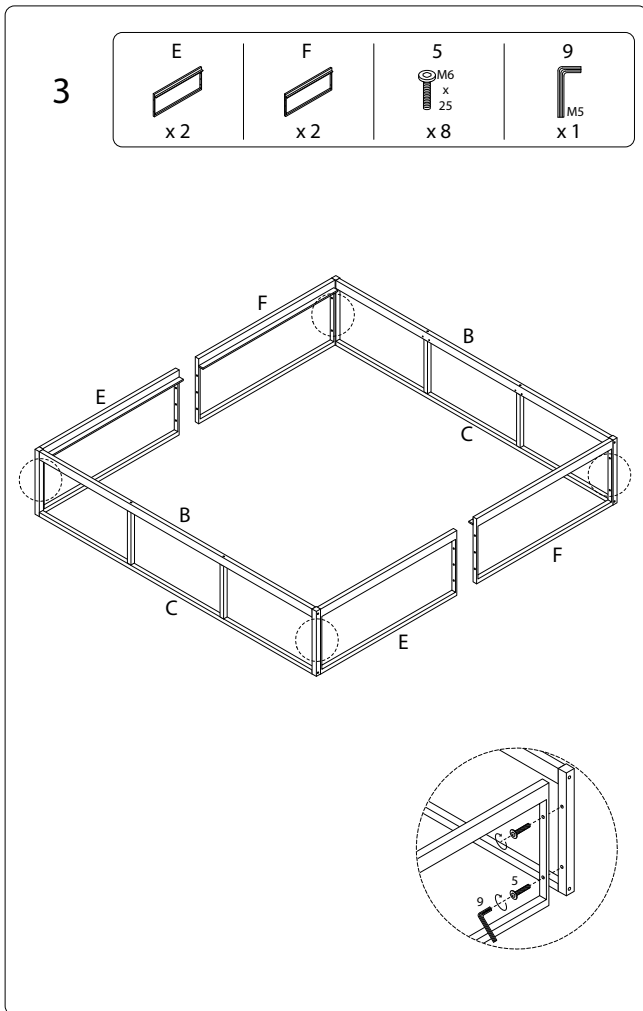
4/10

2057/WRY/310124/



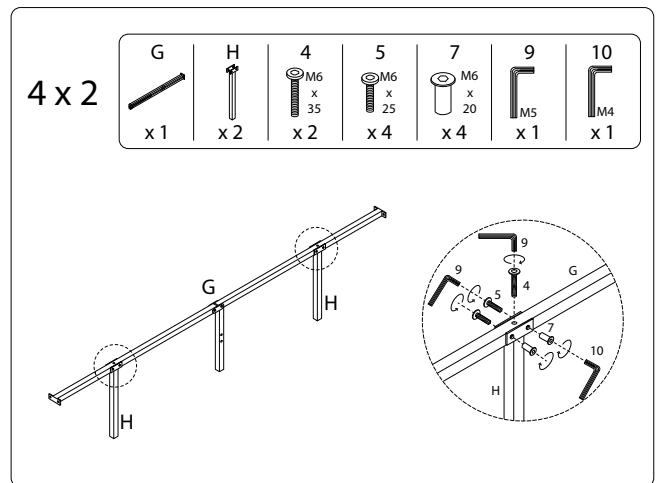
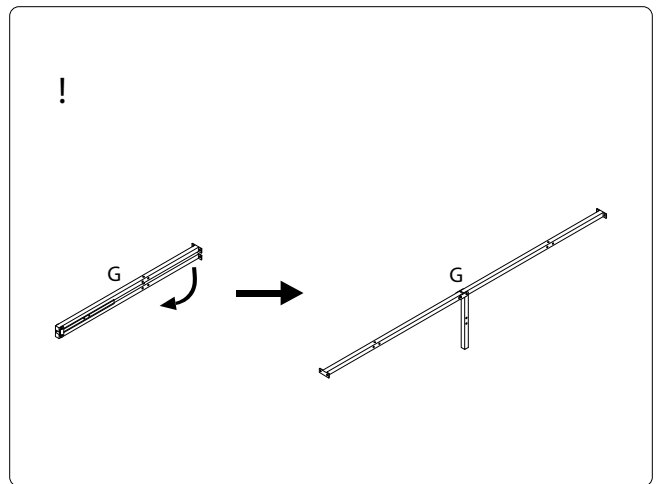
5/10

2057/WRY/310124/



6/10

2057/WRY/310124/

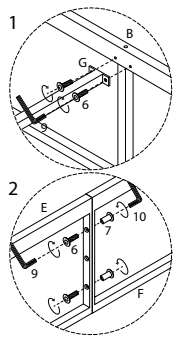
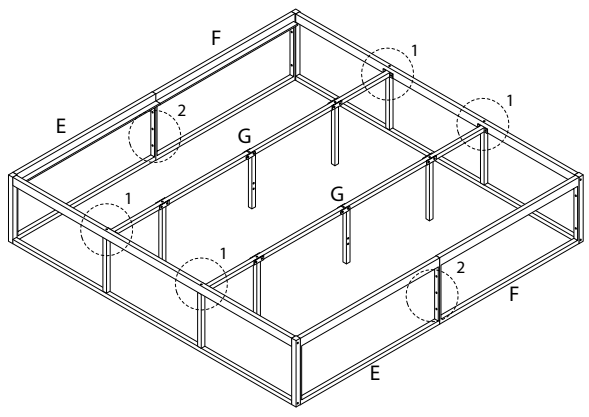


7/10

2057/WRY/310124/

5

- | | | | |
|----------------------------|---------------------------|----------------|-----------------|
| 6
M6
x
16
x 12 | 7
M6
x
20
x 4 | 9
M5
x 1 | 10
M4
x 1 |
|----------------------------|---------------------------|----------------|-----------------|

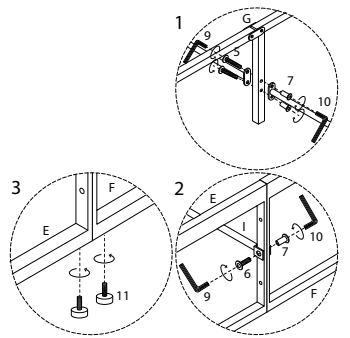
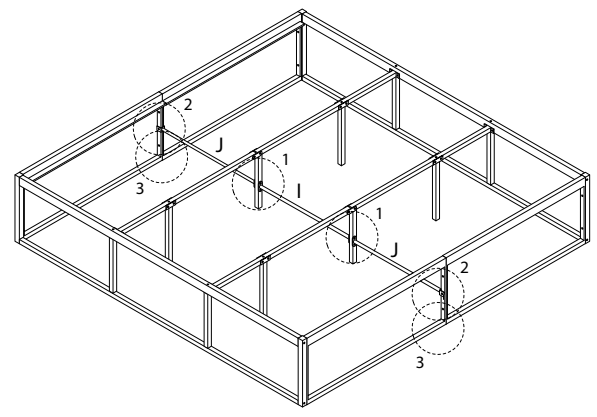


8/10

2057/WRY/310124/

6

- | | | | | | | | |
|----------|----------|---------------------------|---------------------------|---------------------------|----------------|-----------------|-----------|
| I
x 1 | J
x 2 | 5
M6
x
25
x 4 | 6
M6
x
16
x 2 | 7
M6
x
20
x 6 | 9
M5
x 1 | 10
M4
x 1 | 11
x 4 |
|----------|----------|---------------------------|---------------------------|---------------------------|----------------|-----------------|-----------|

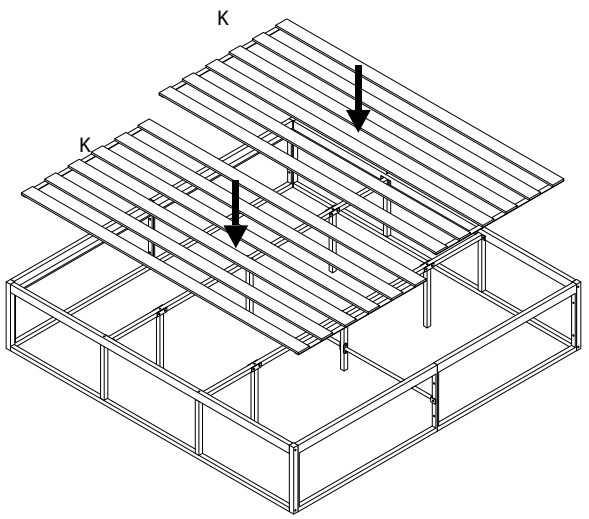


9/10

2057/WRY/310124/

7

- | |
|----------|
| K
x 2 |
|----------|



10/10

2057/WRY/310124/