

ASSEMBLY INSTRUCTION

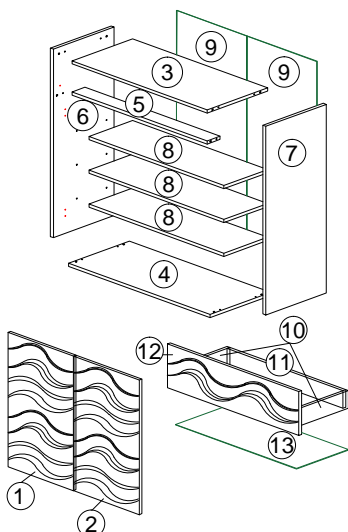
MODEL : TAD 24105-MC

DESCRIPTION : 2 DOORS & 1 DRAWER CAB.

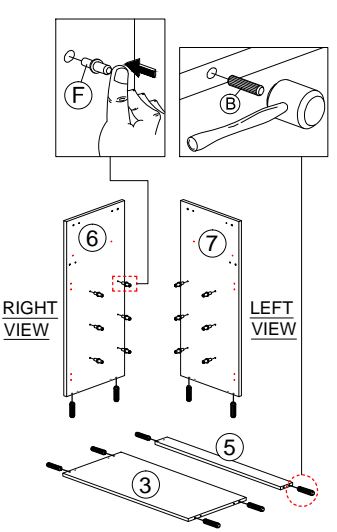
HARDWARE

A A1 MINIFIX (HOUSING) (EURO 24) 6 SETS	A2 MINIFIX CAP	A3 MINIFIX CAP	A5 ALLEN KEY 1	B WOOD DOWEL 8 X 25 10	C CB SCREW M4X45MM 4	D CB SCREW M3.5X12MM 8	E CB SCREW M3.5X16MM 16	F SHELF SUPPORT 12	G NAIL 5/8 40	H HINGES 5/8 4	I DOOR DAMPER I1 I2 I3 I4 2 SETS	J CB SCREW M4X38MM 8	K DRAWER SLIDE 12" K1 K2 1 SET	L 100mm TAPER PVC LEG 4
---	--------------------------	--------------------------	-----------------------------	-------------------------------------	-----------------------------------	-------------------------------------	--------------------------------------	---------------------------------	----------------------------	-----------------------------	--	-----------------------------------	--	--------------------------------------

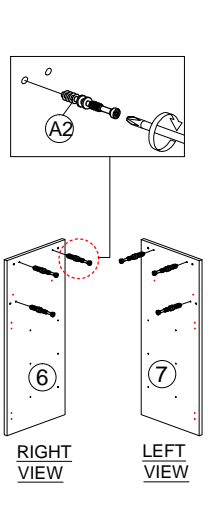
PART LIST



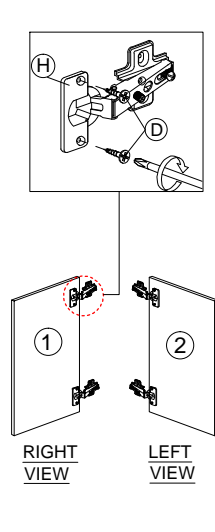
STEP 1



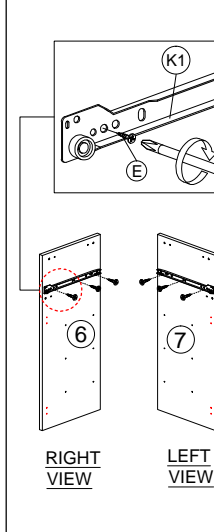
STEP 2



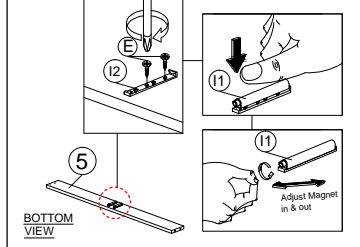
STEP 3



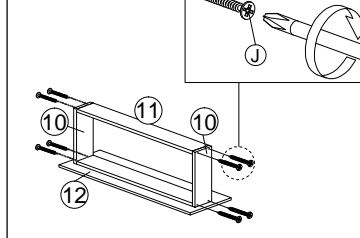
STEP 4



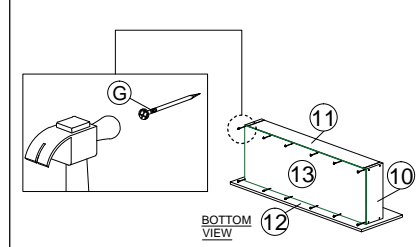
STEP 5



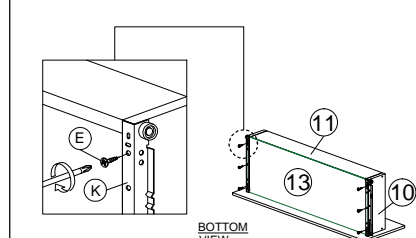
STEP 6



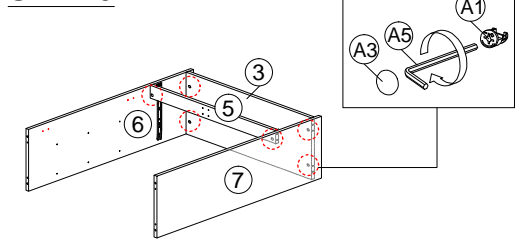
STEP 7



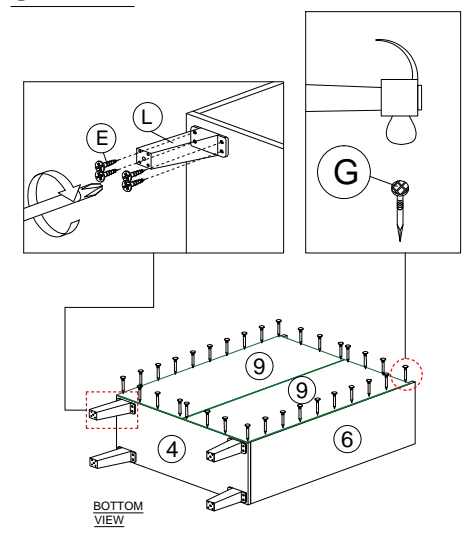
STEP 8



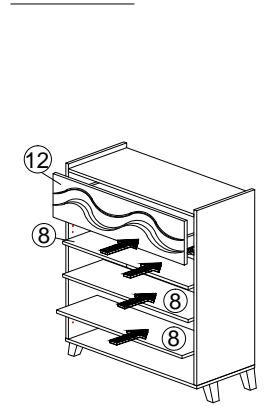
STEP 9



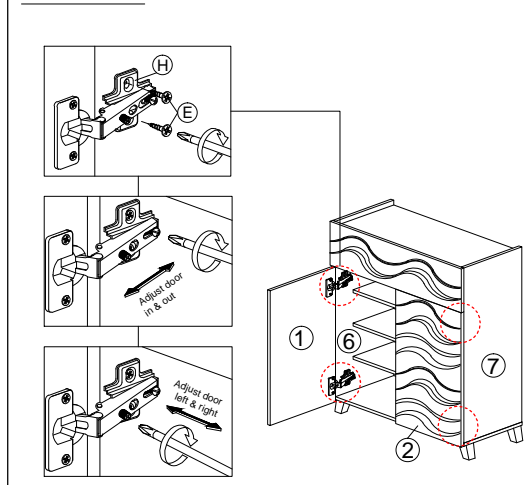
STEP 11



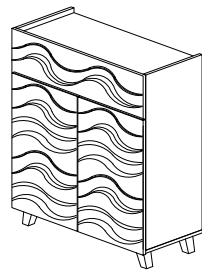
STEP 12



STEP 13



COMPLETED



STEP 10

