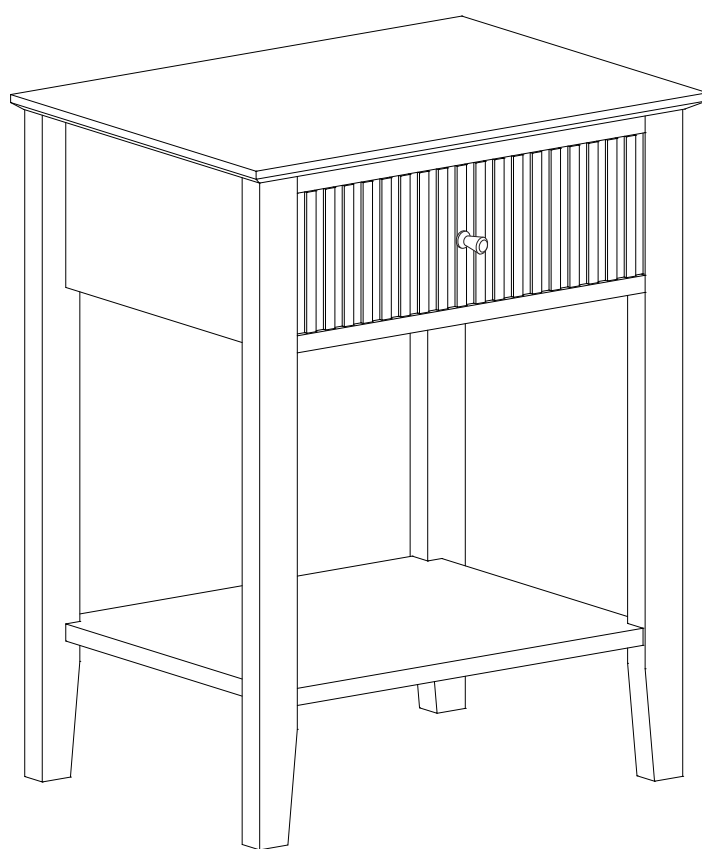


ASSISI



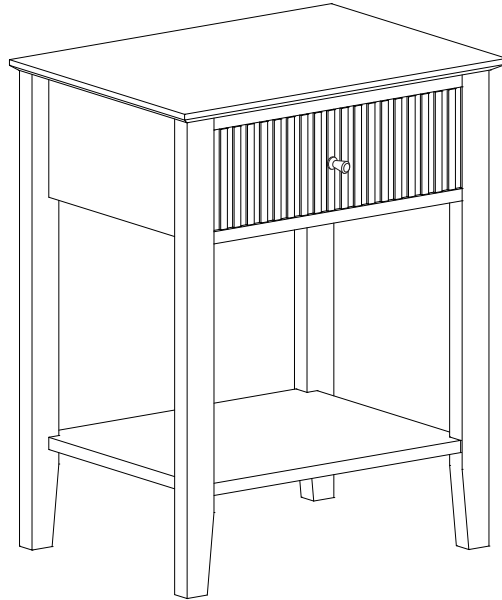
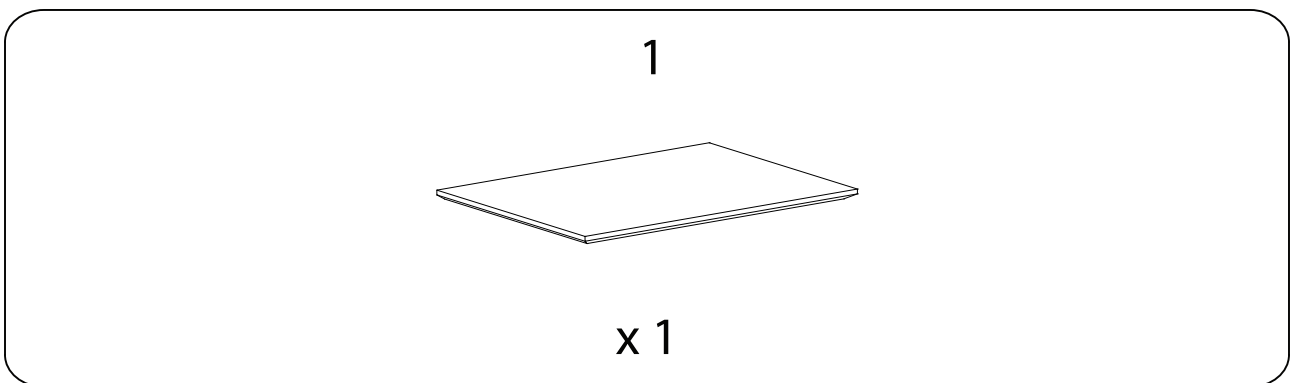
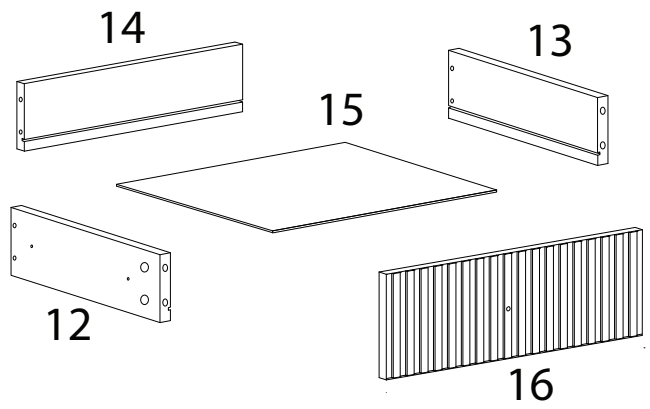
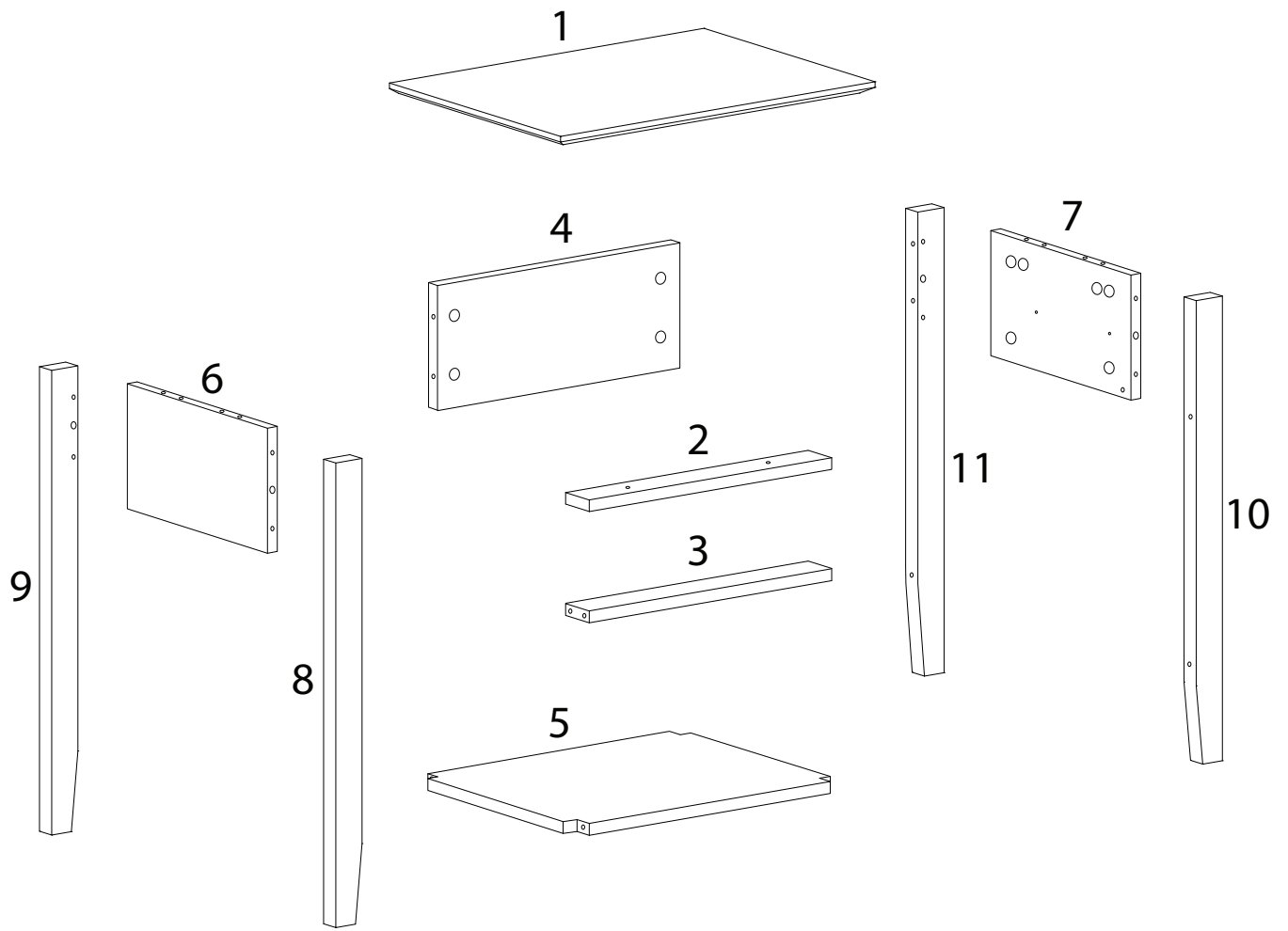
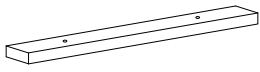


Diagram illustrating assembly steps and safety warnings:

- Step 1:** Shows a screwdriver and a power drill. A warning triangle with an exclamation mark is positioned to the right. A clock icon indicates a time requirement of **30'**.
- Step 2:** Shows a rectangular block being placed on a textured surface and another block being cut with a diagonal line. A warning triangle with an exclamation mark is positioned to the right. A person icon indicates that **1** person is required.

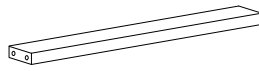


2



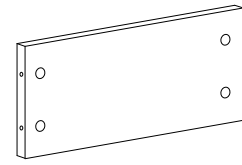
x 1

3



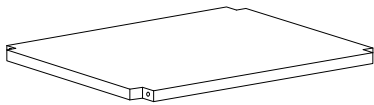
x 1

4



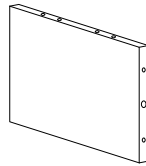
x 1

5



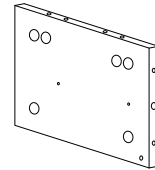
x 1

6



x 1

7



x 1

8



x 1

9



x 1

10



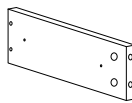
x 1

11



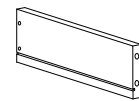
x 1

12



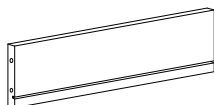
x 1

13



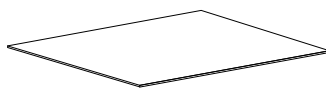
x 1

14



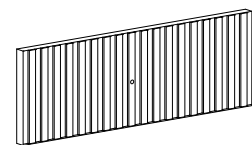
x 1

15



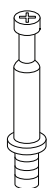
x 1

16



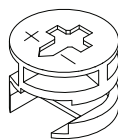
x 1

A



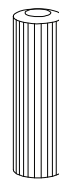
x 26

B



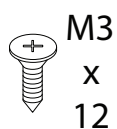
x 26

C



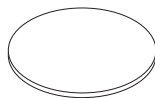
x 10

D



x 8

E



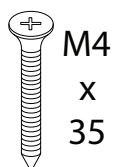
x 4

F



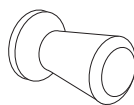
x 2

G



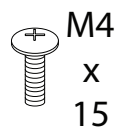
x 5

H



x 1

I



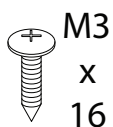
x 1

J



x 1

K



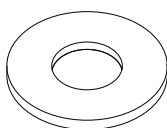
x 1

L



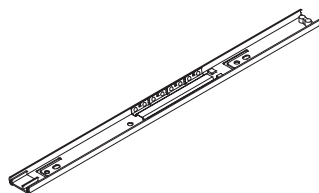
x 1

M



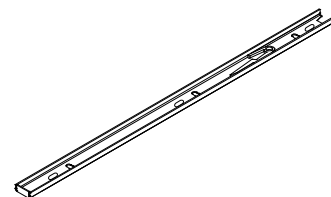
x 2

N



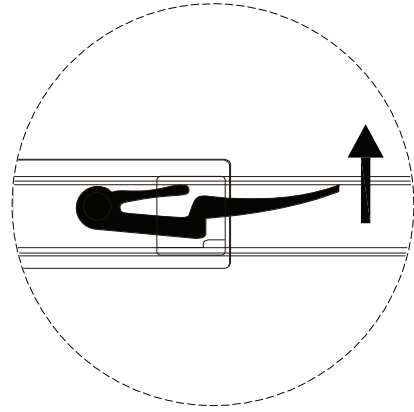
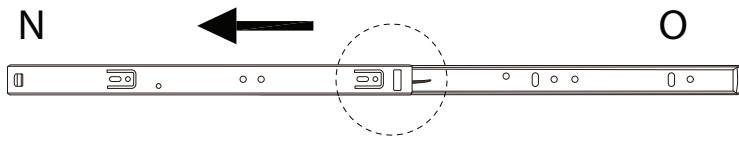
x 2

O

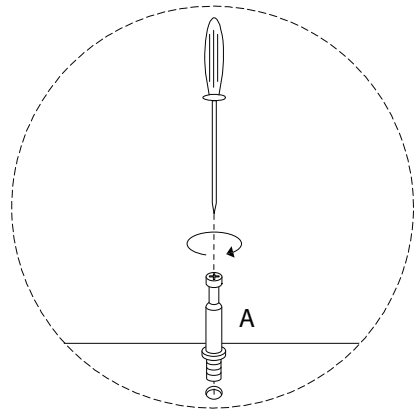
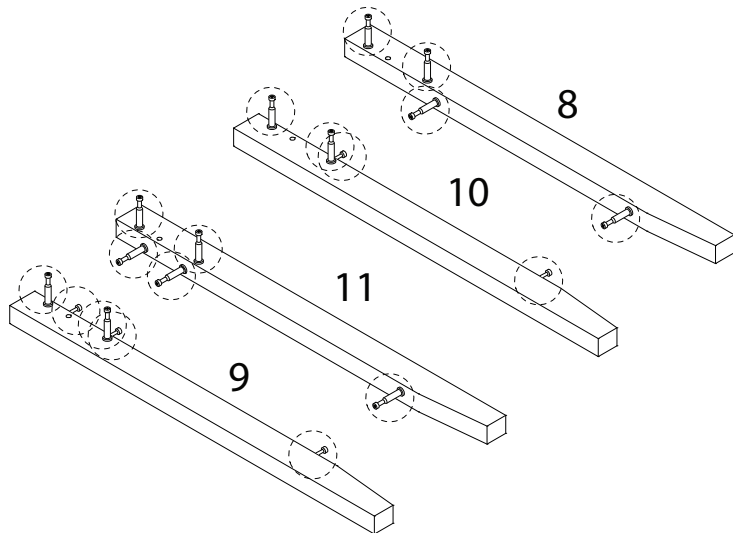
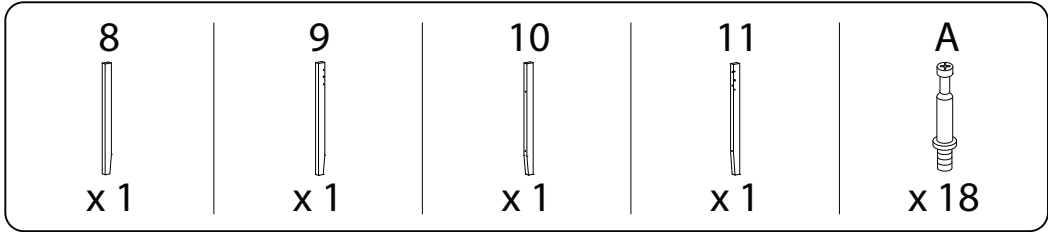


x 2

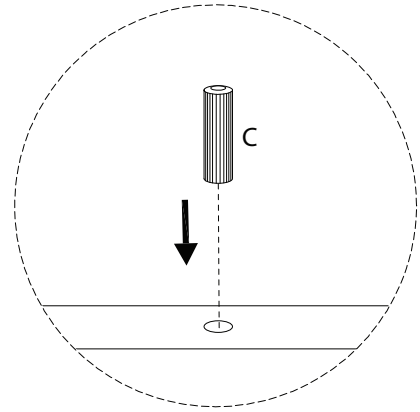
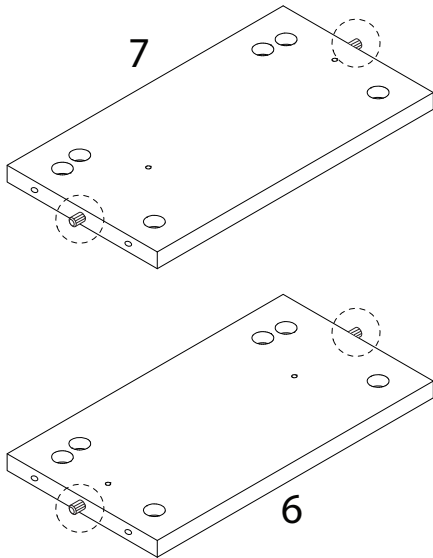
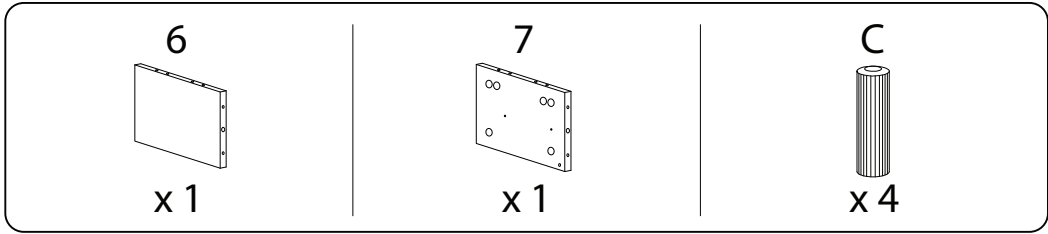
!



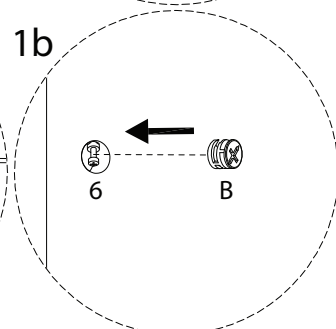
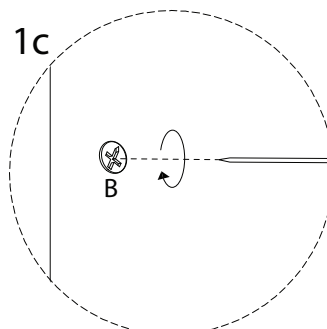
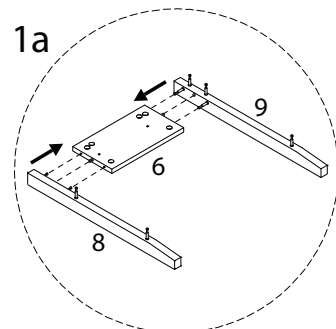
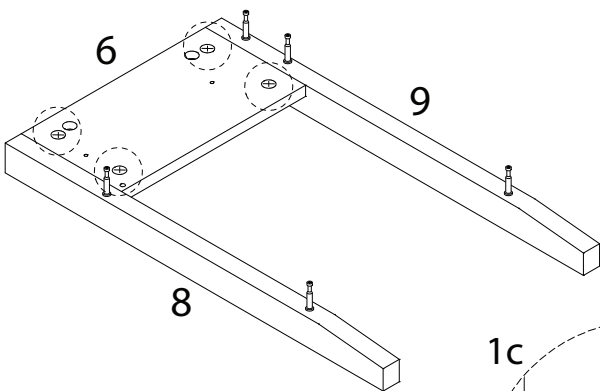
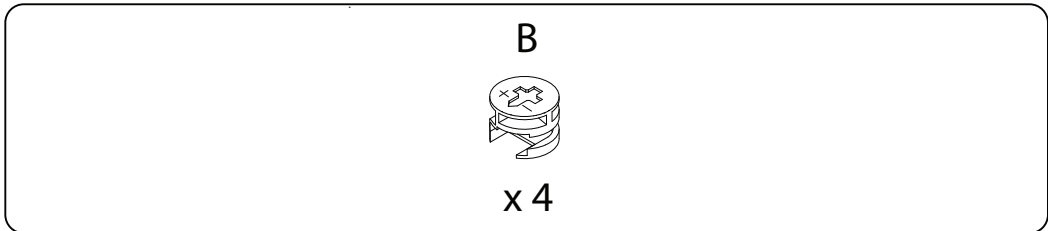
2



3



4

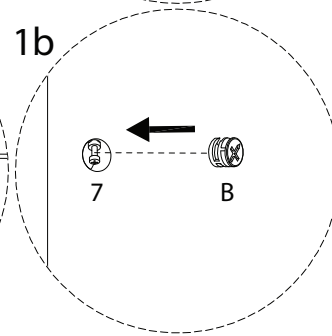
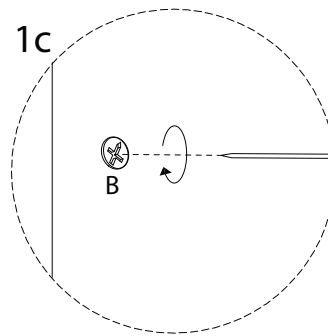
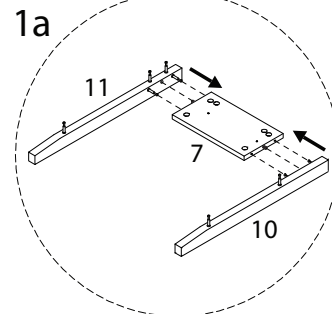
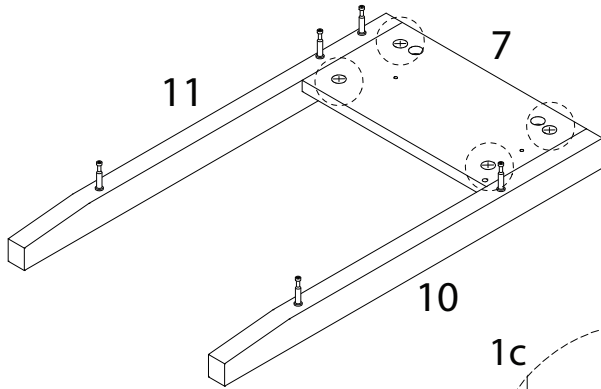


5

B



x 4



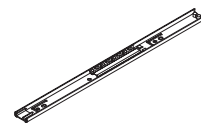
6

D

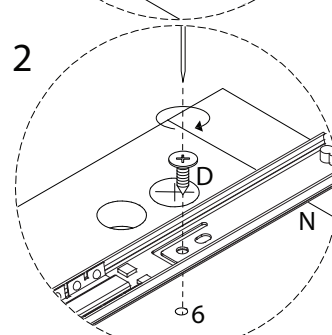
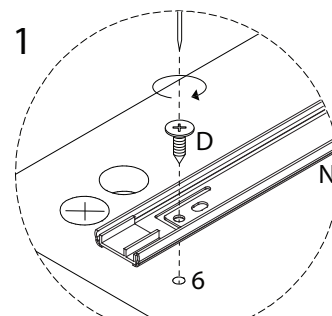
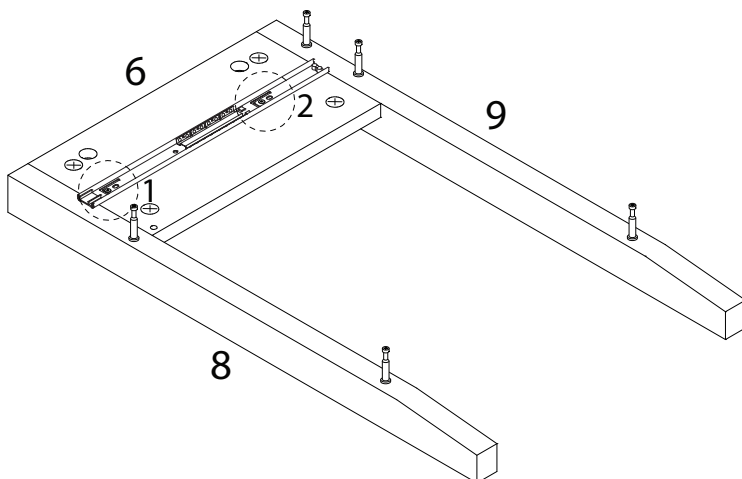


x 2

N



x 1



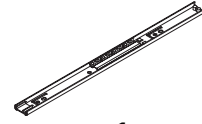
7

D

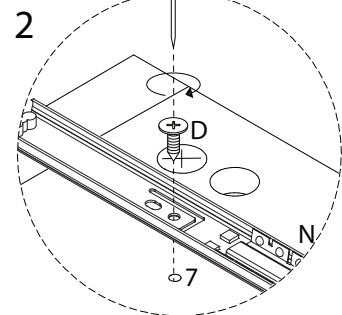
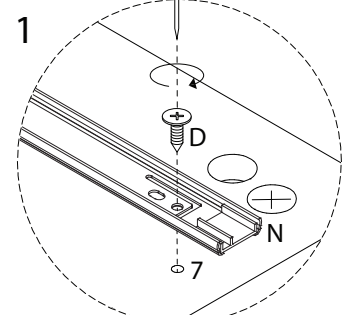
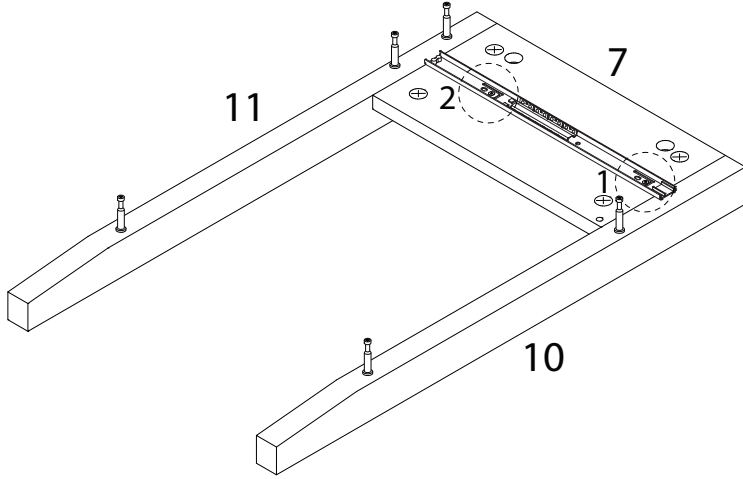


x 2

N

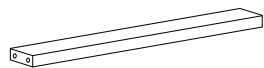


x 1



8

3

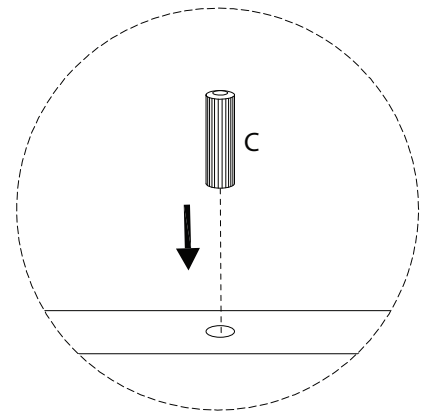
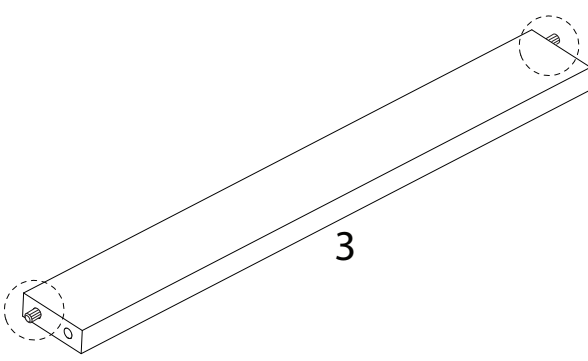


x 1

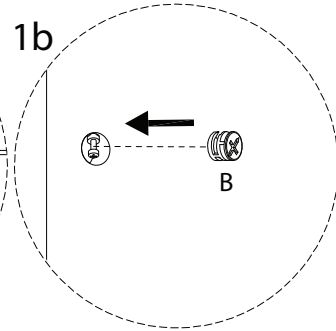
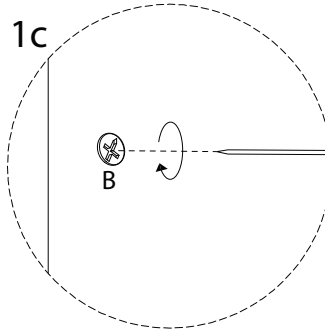
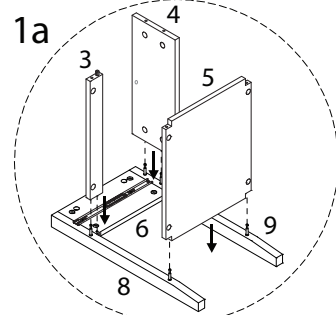
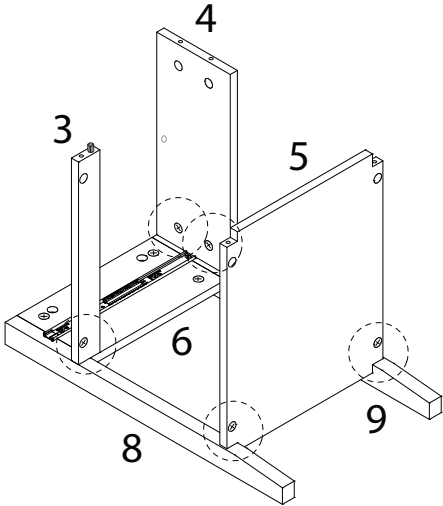
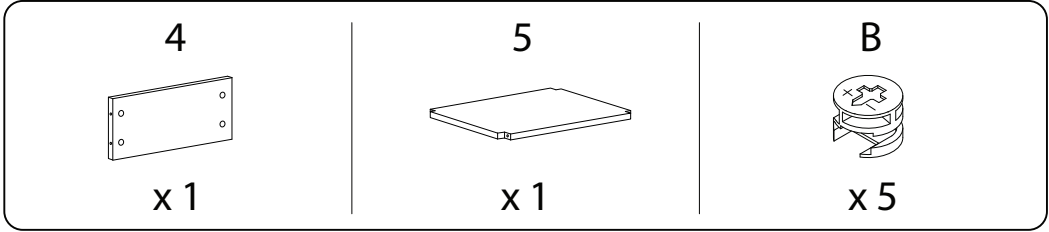
C



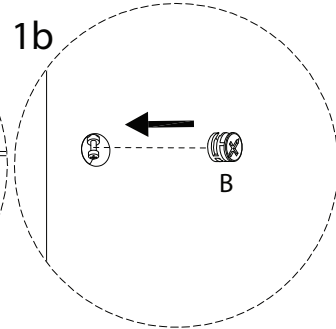
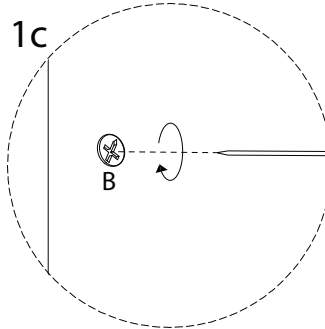
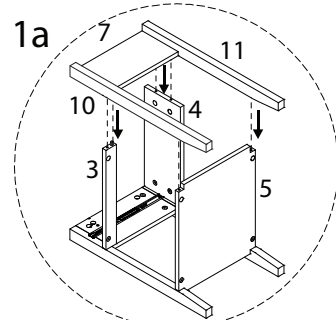
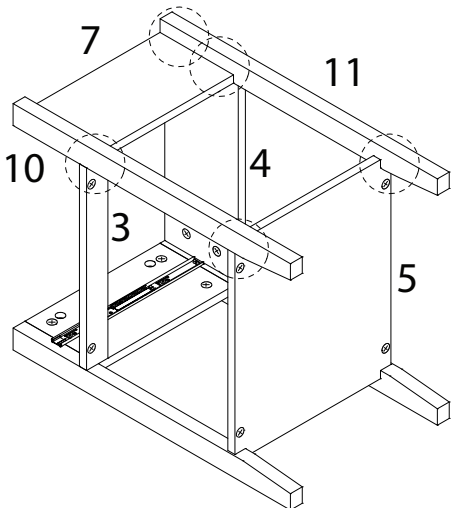
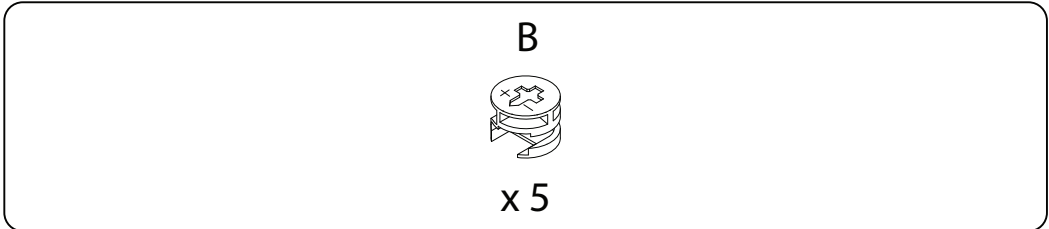
x 2



9



10

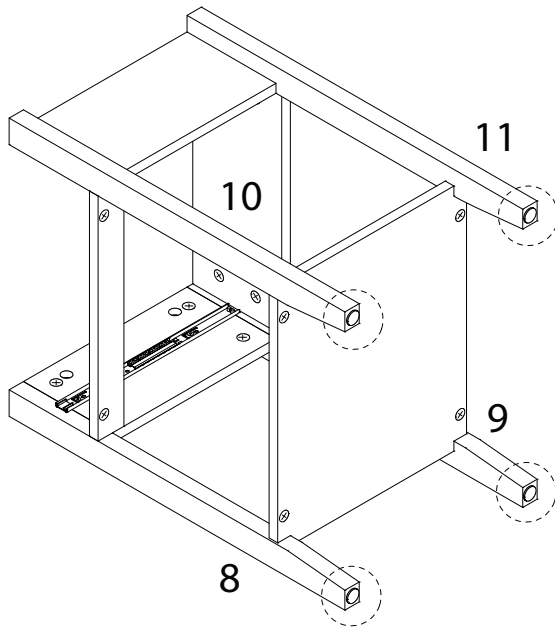


11

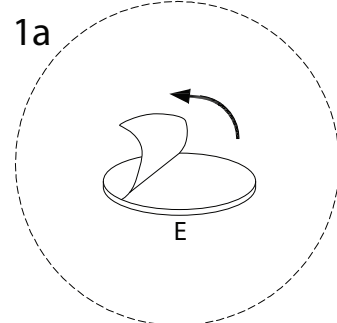
E



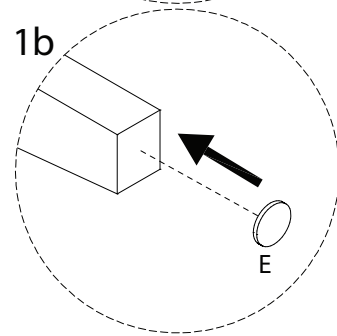
x4



1a



1b



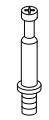
12

1

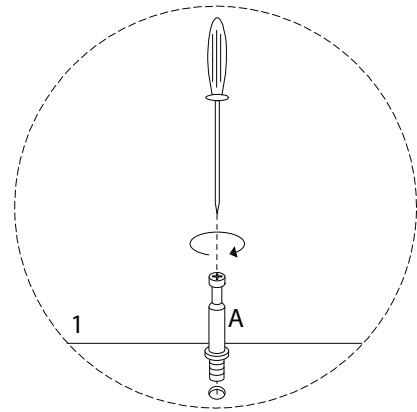
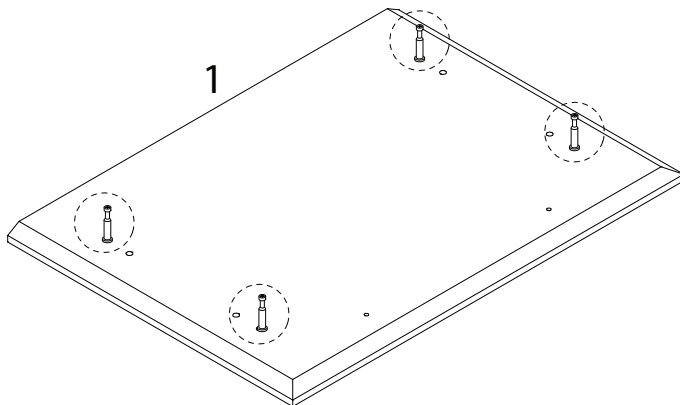


x1

A

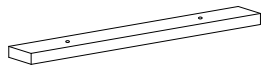


x4



13

2

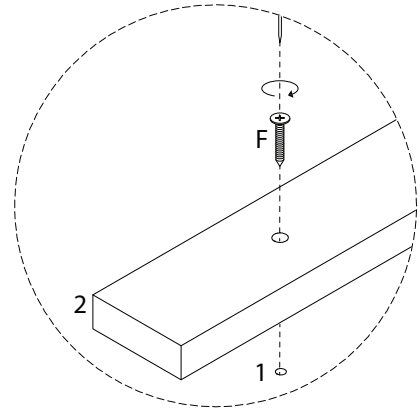
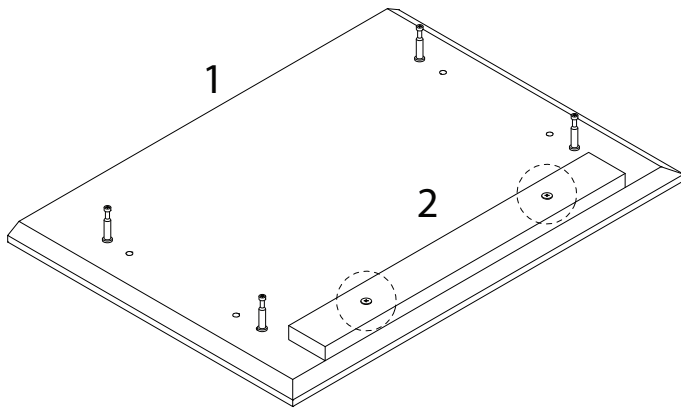


x 1

F

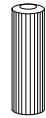


x 2

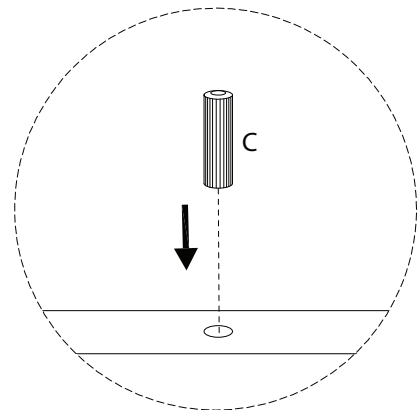
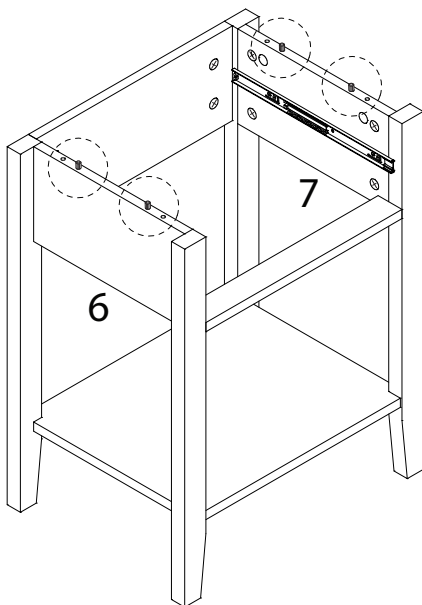


14

C



x 4

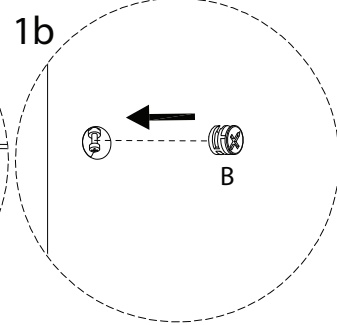
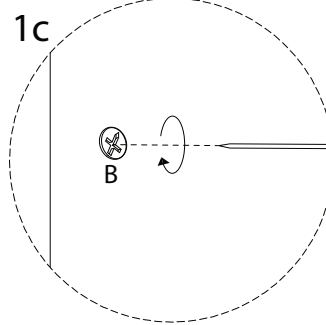
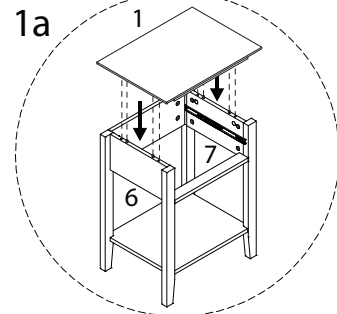
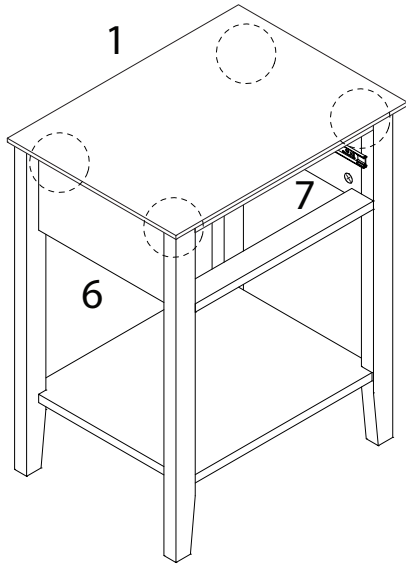


15

B

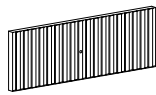


x 4



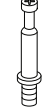
16

16

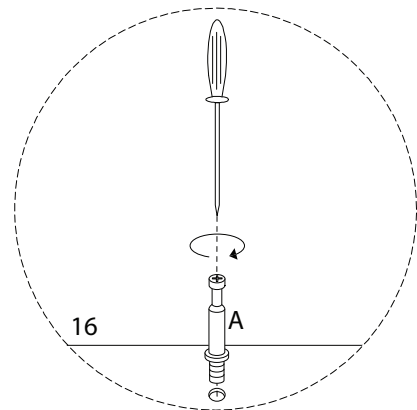
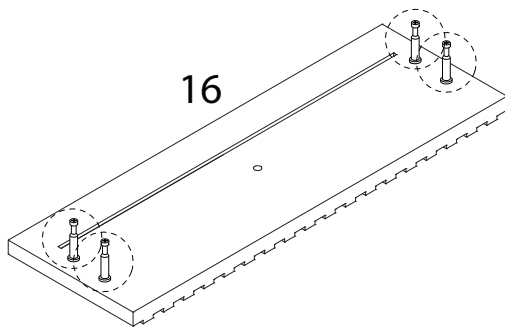


x 1

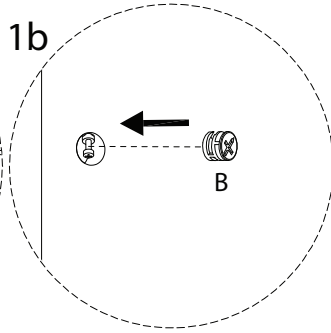
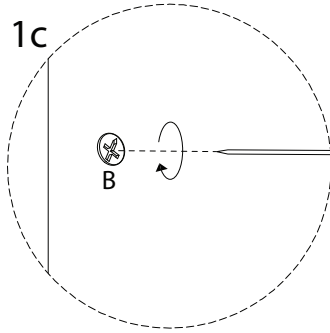
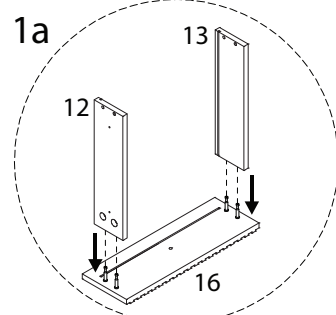
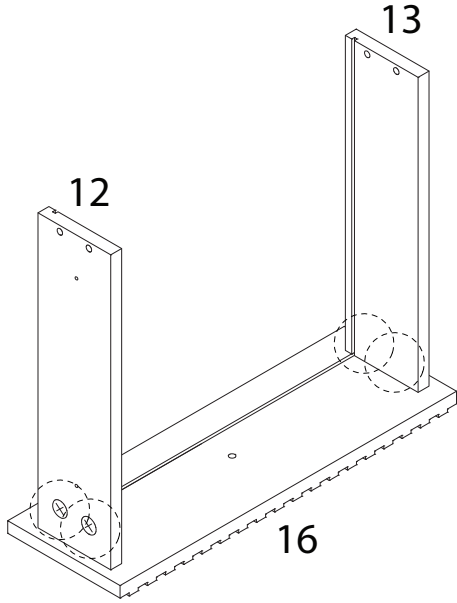
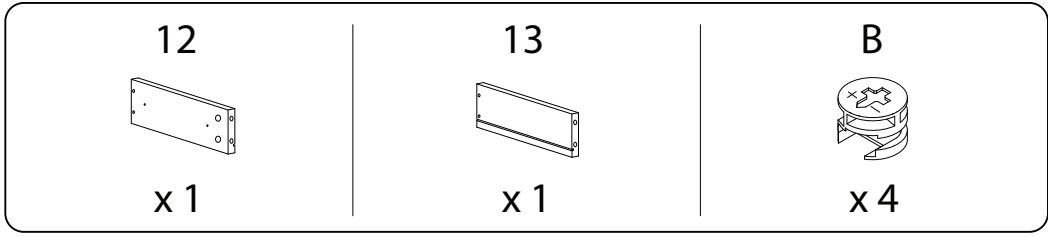
A



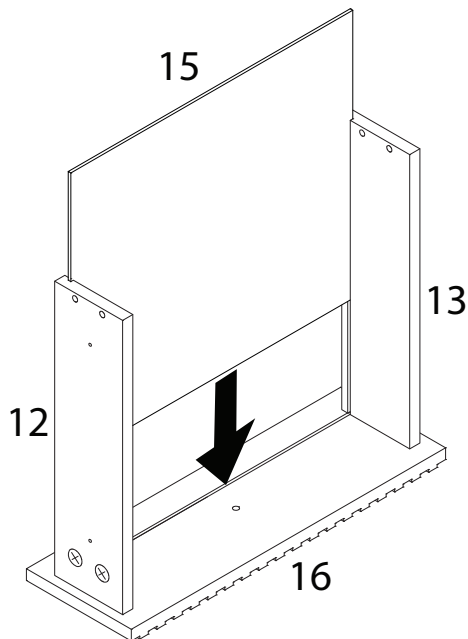
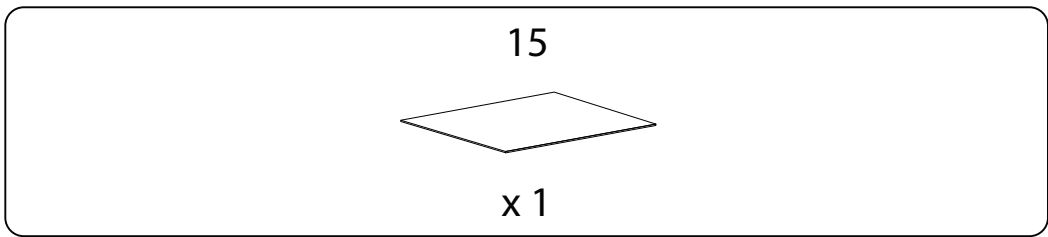
x 4



17

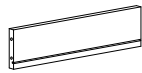


18



19

14

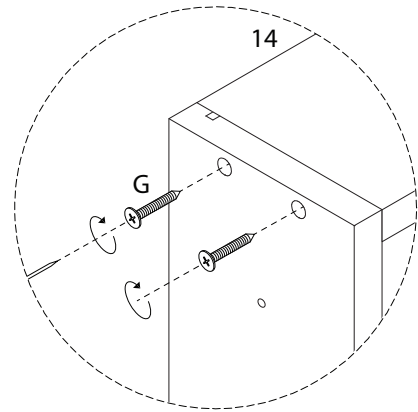
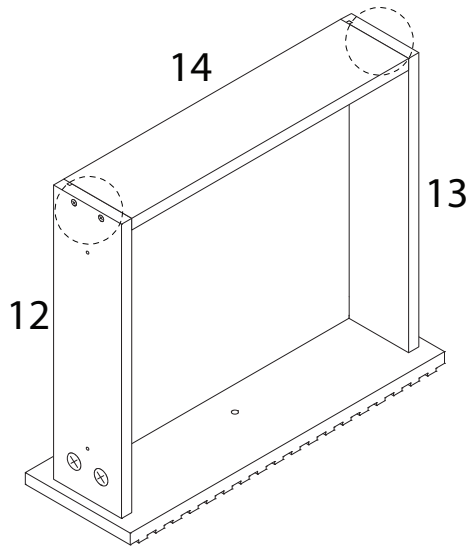


x 1

G



x 4



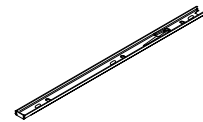
20

D

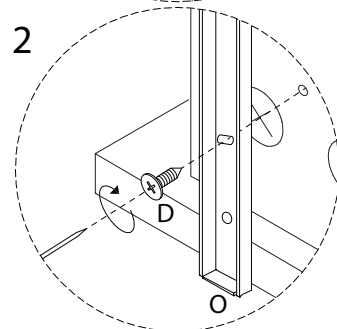
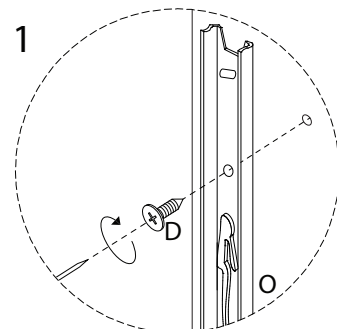
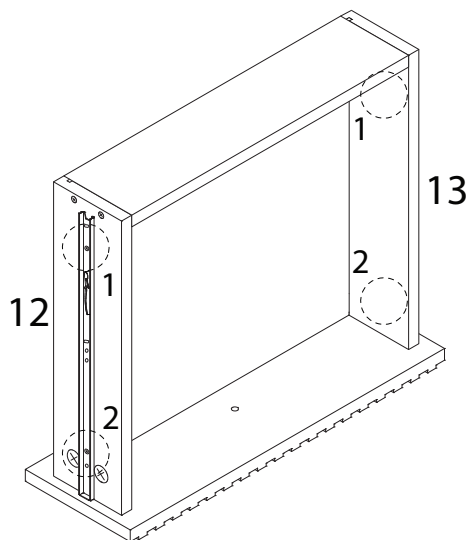


x 4

O

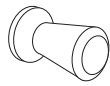


x 2



21

H

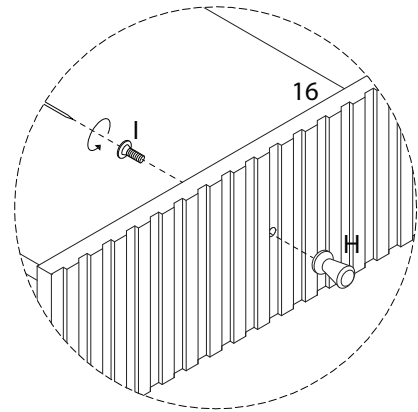
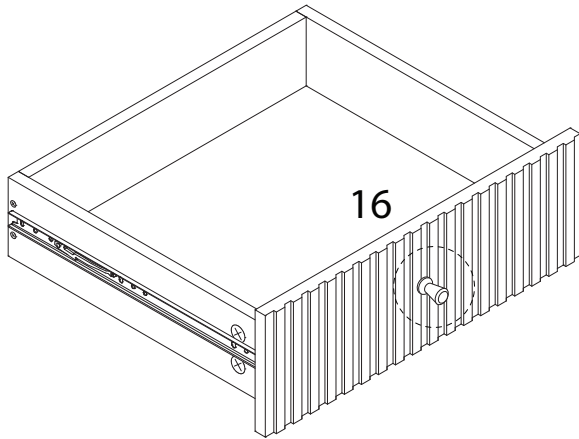


x 1

I



x 1



22

J



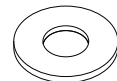
x 1

K

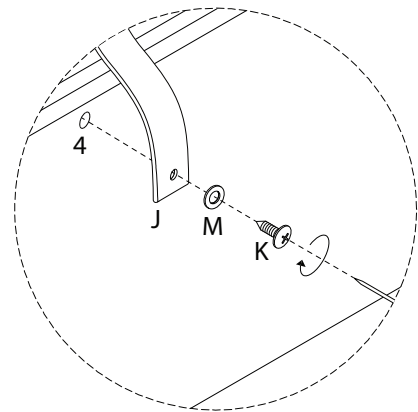
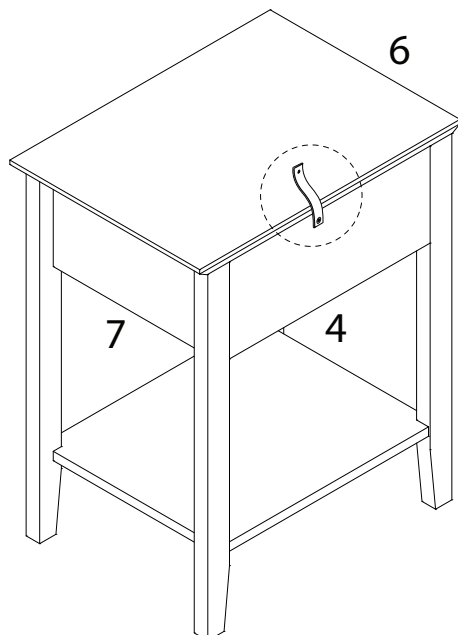


x 1

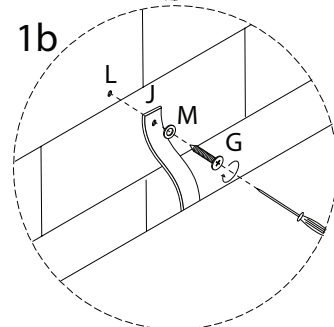
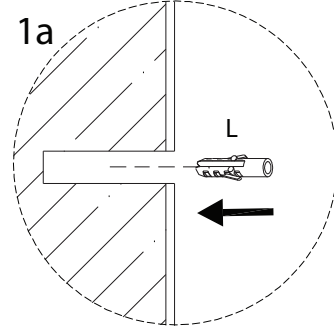
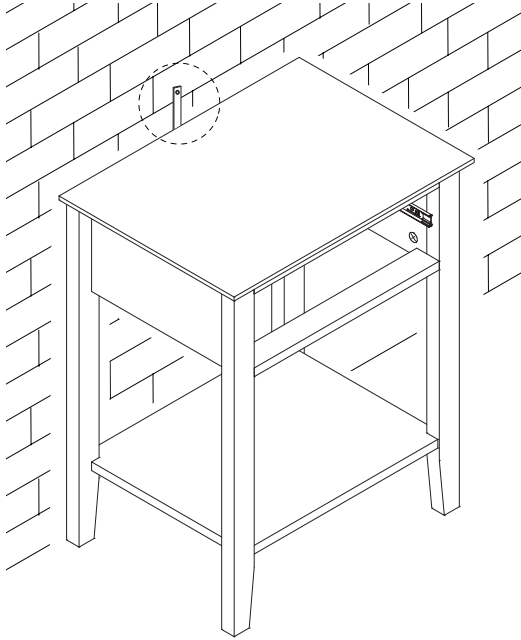
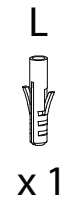
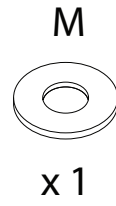
M



x 1



23



24

