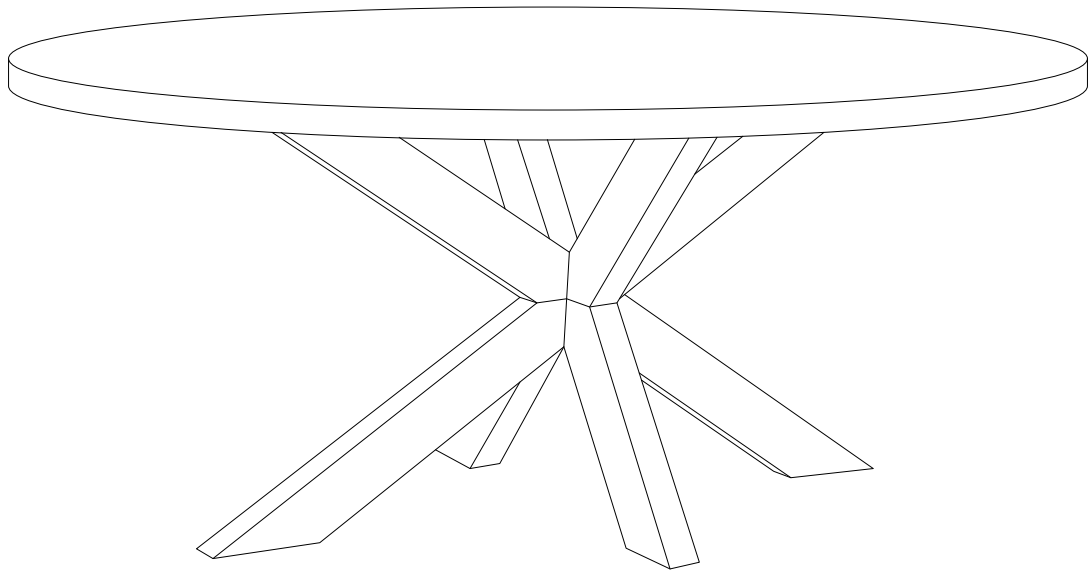


ORISTANO



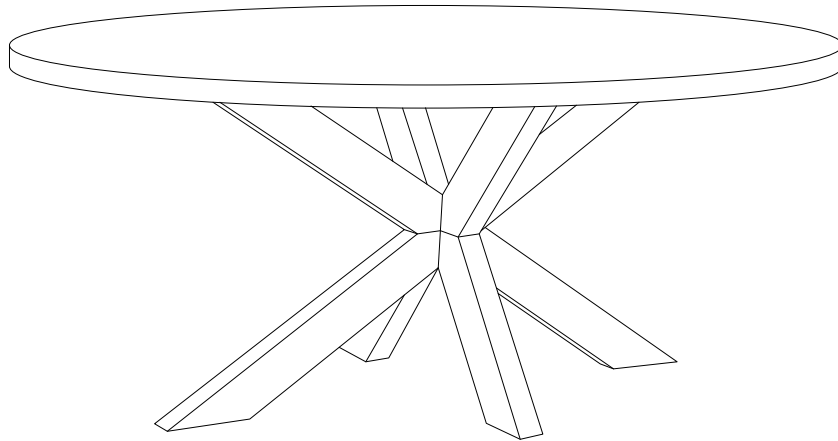
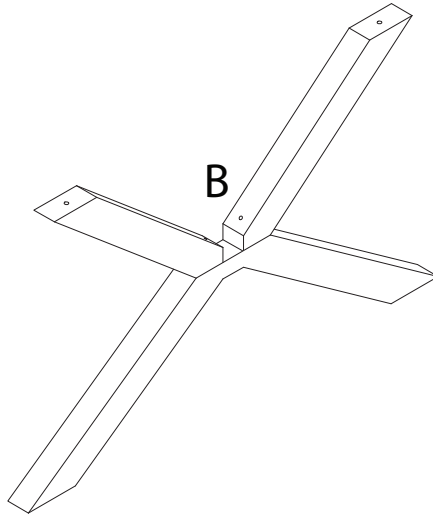
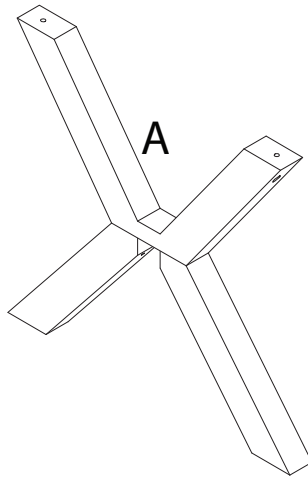
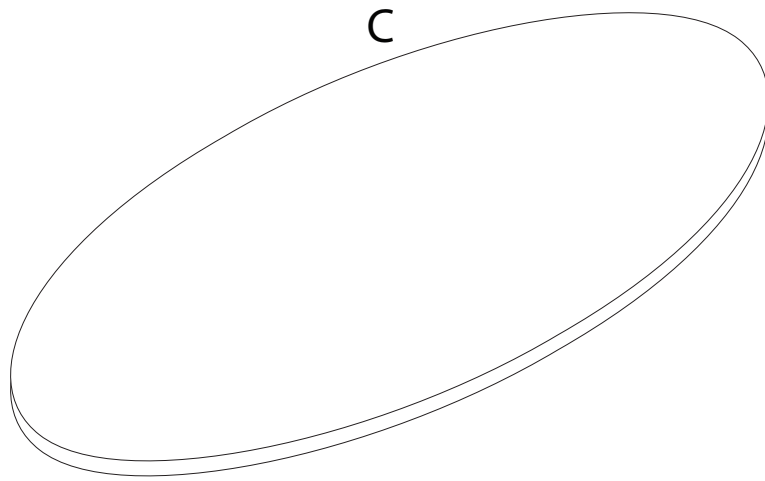
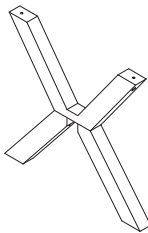
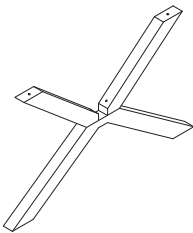
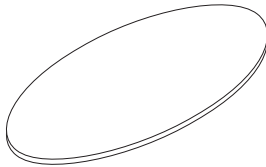


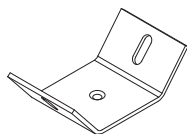
Diagram illustrating assembly steps and safety warnings:

- Top Step:** Shows an L-shaped bracket being inserted into a hole. A power drill is shown with a diagonal line through it, indicating it should not be used. A warning triangle with an exclamation mark is present.
- Bottom Step:** Shows a rectangular block being placed on a surface. A diagram shows the block being pushed down, with a diagonal line through it, indicating it should not be pushed down. A warning triangle with an exclamation mark is present.
- Time:** A clock icon with a circular arrow indicates a duration of 15 minutes.
- Personnel:** An icon of a person indicates that 2 people are required for assembly.



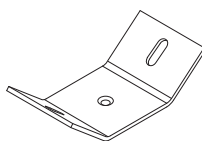
<p>A</p>  <p>x 1</p>	<p>B</p>  <p>x 1</p>	<p>C</p>  <p>x 1</p>
---	---	---

1



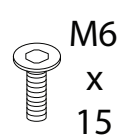
x 1

2



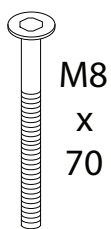
x 1

3



x 4

4



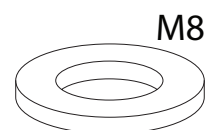
x 4

5



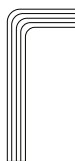
x 4

6



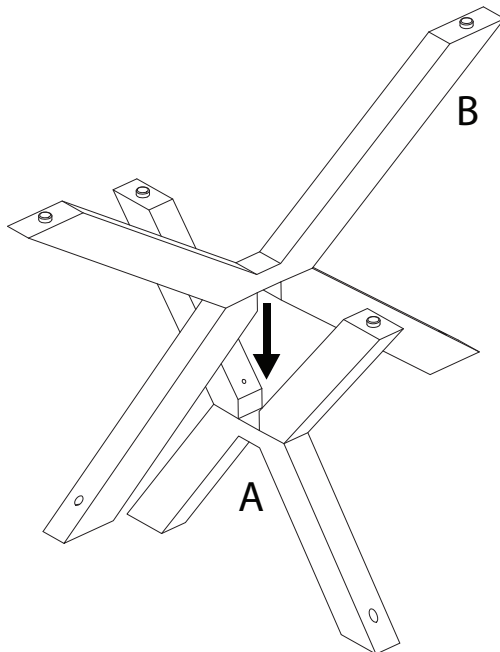
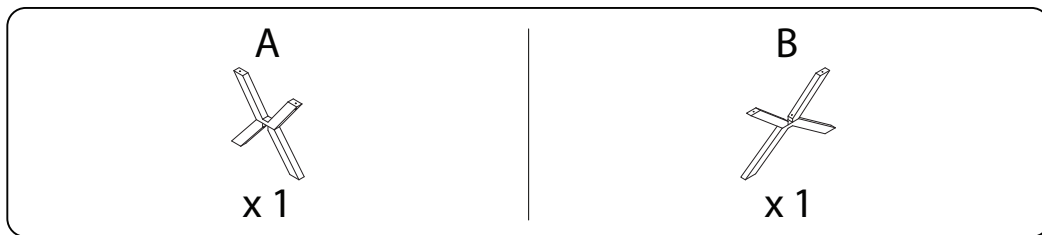
x 4

7

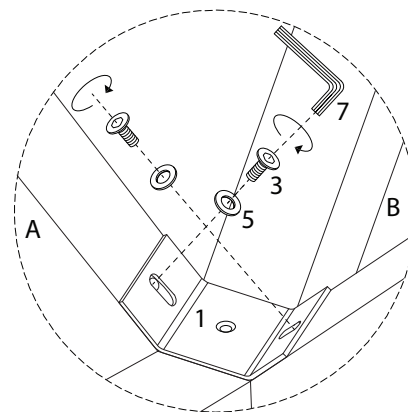
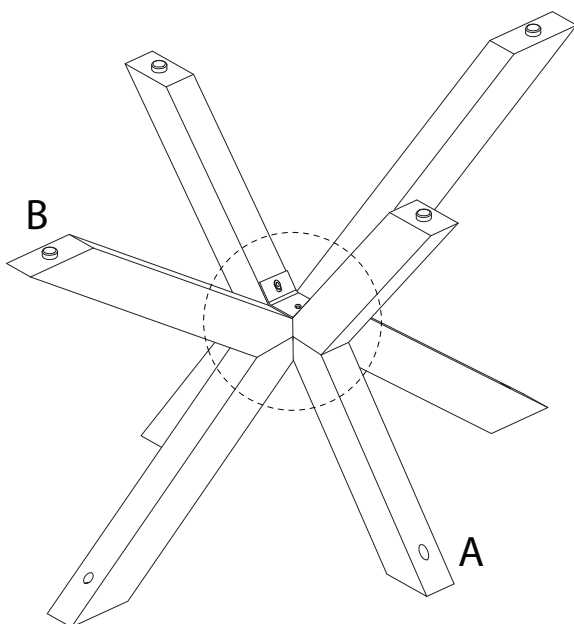
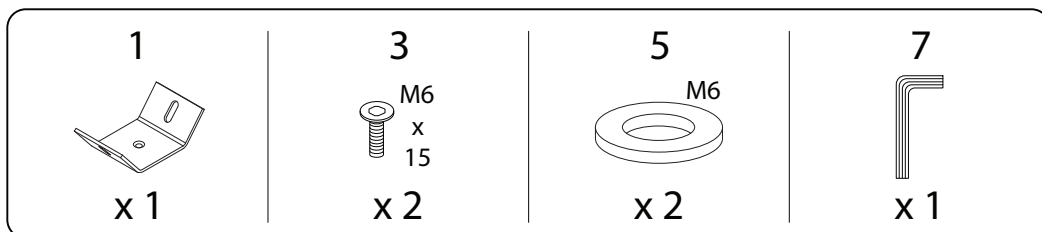


x 1

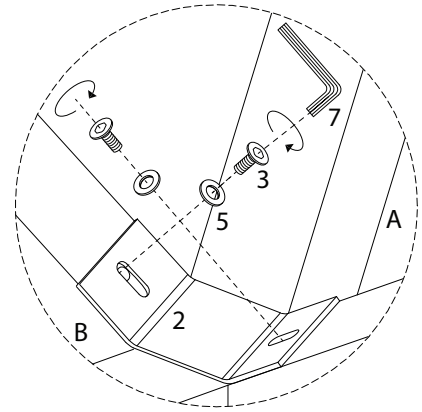
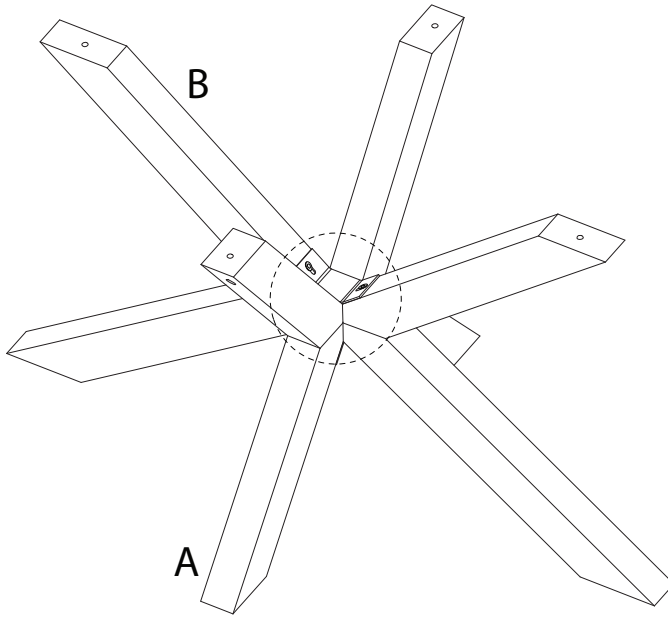
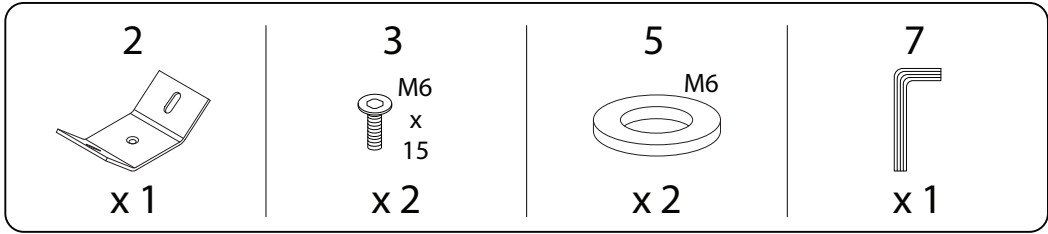
1



2



3



4

