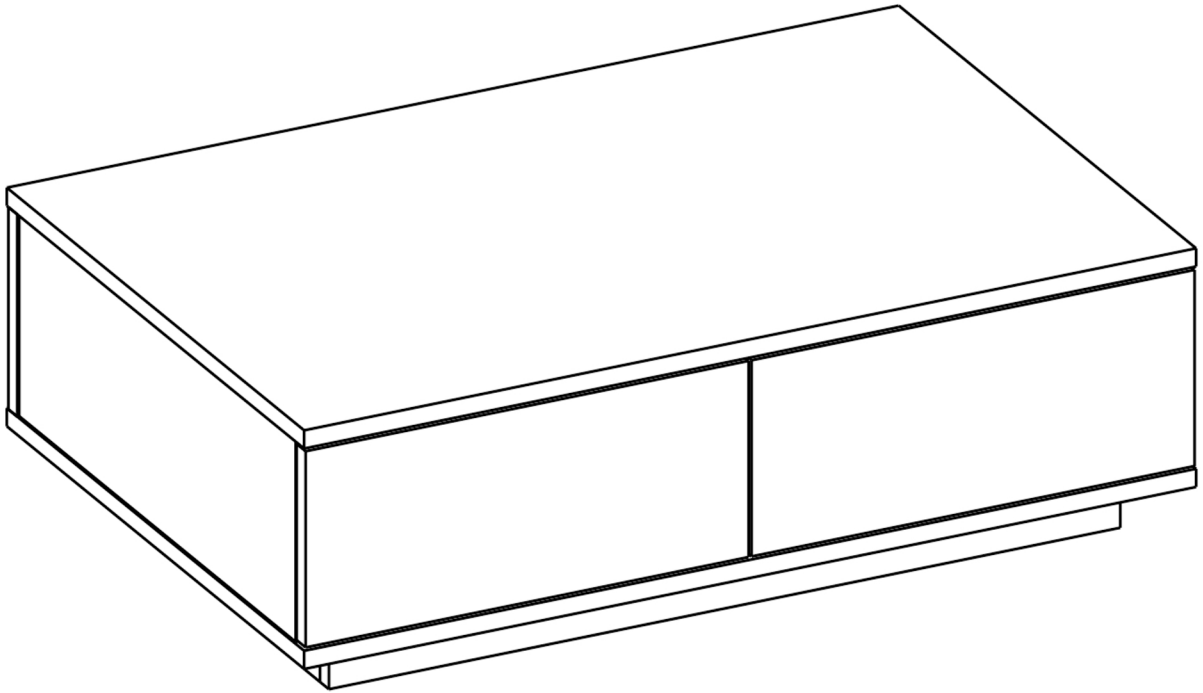


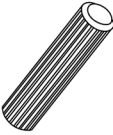



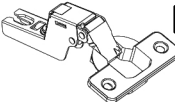
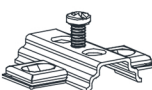
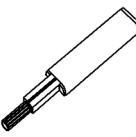
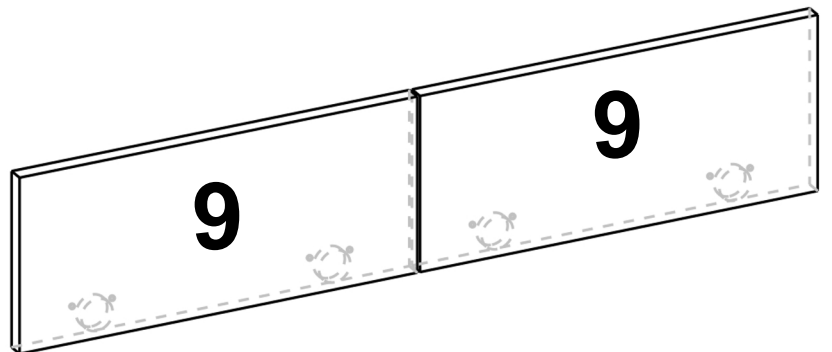
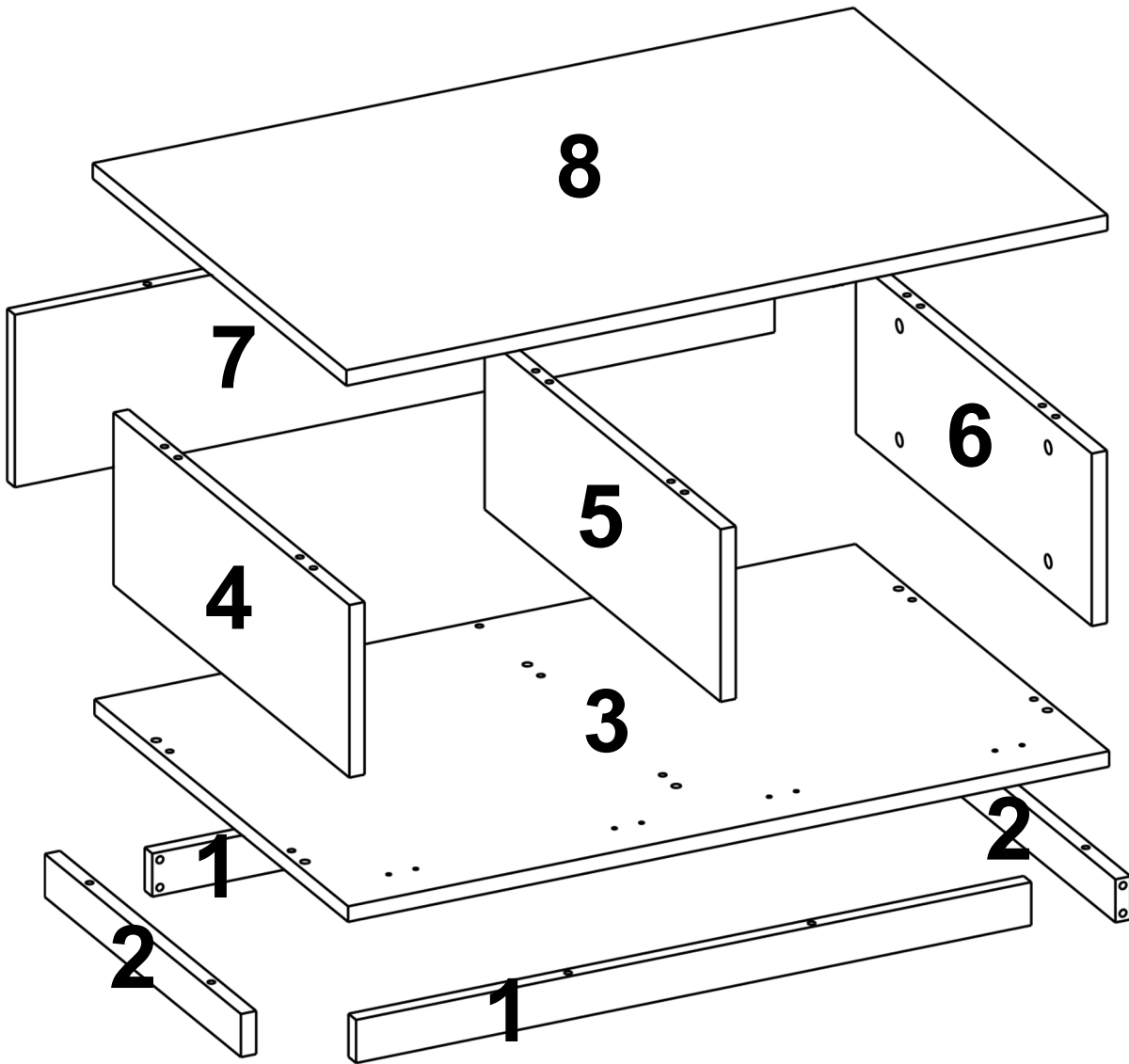
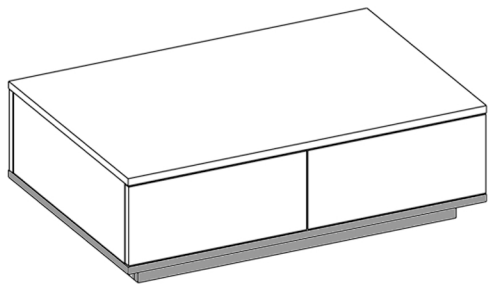


FR14

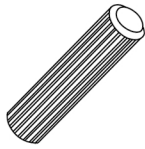


 B0501 x12	 B0502 x12	 B0503 x26	 B0504 x12	 B0301 x20
 B0304 x8	 B0103 x4	 B0105 x4	 B1403 x2	





B0503

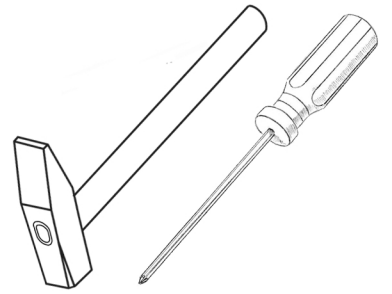


x8

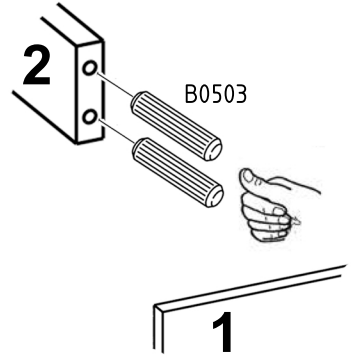
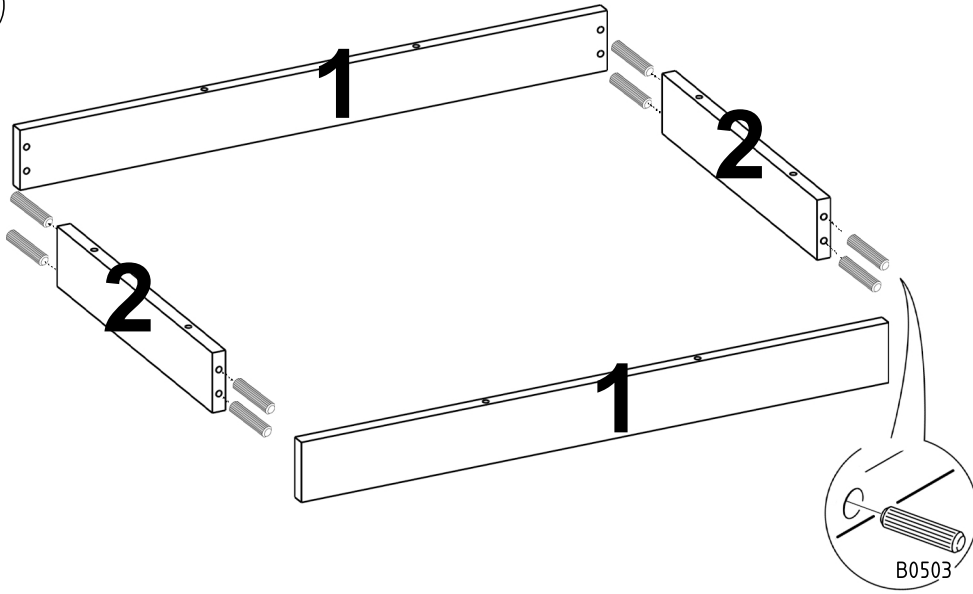
B0304



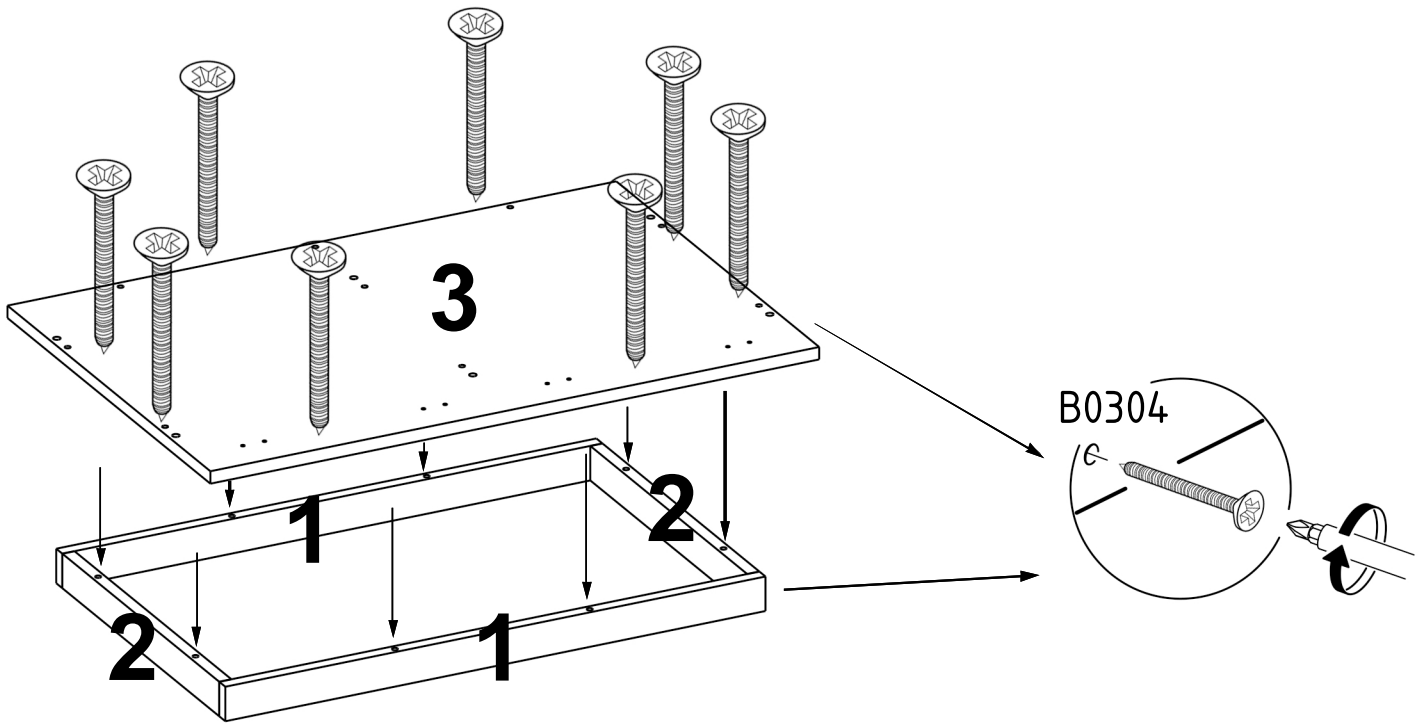
x8



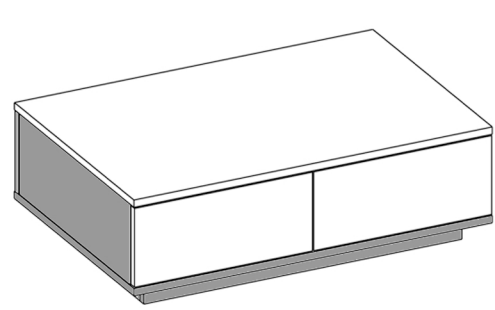
①



②



3



B0502



x6

B0503



x9

B0504

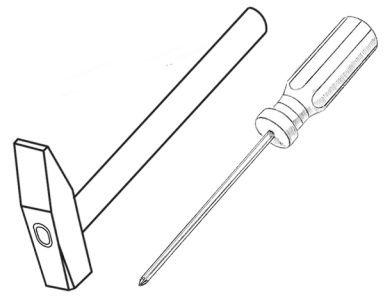


x6

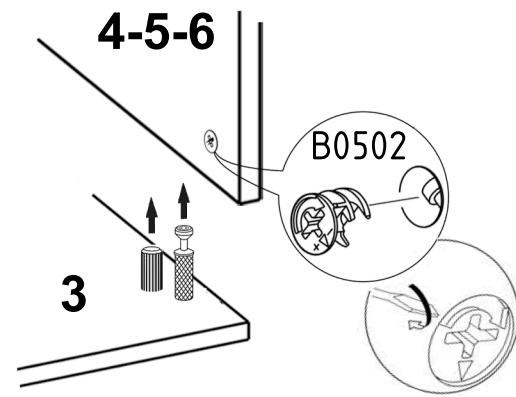
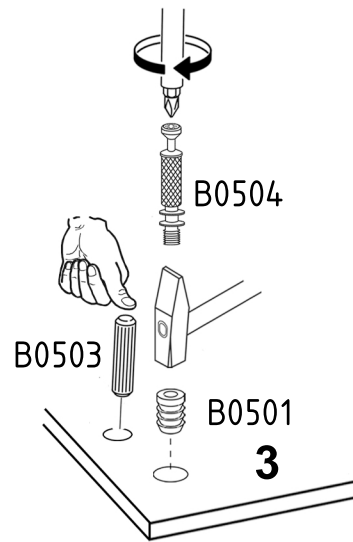
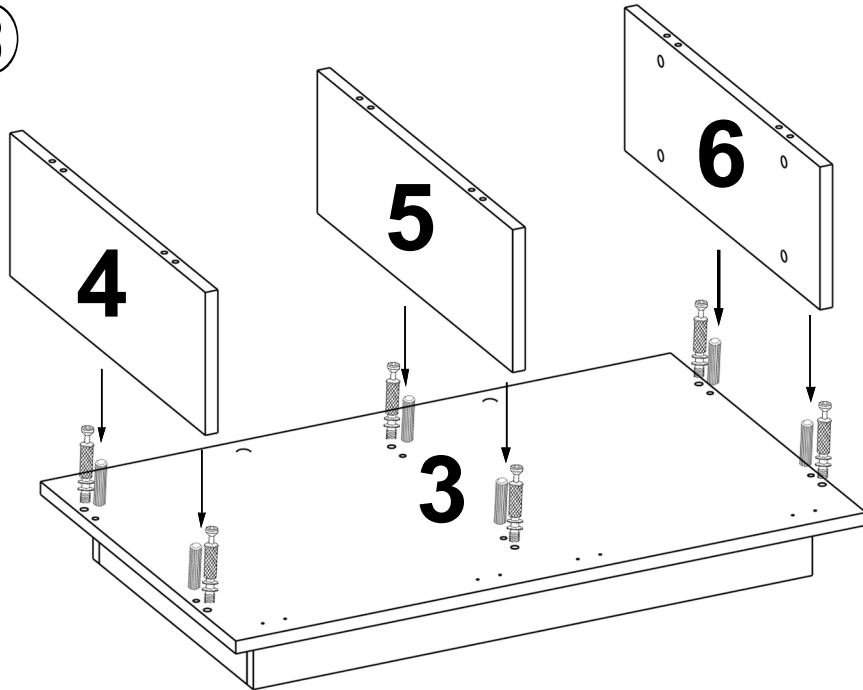
B0501



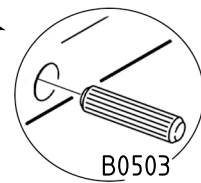
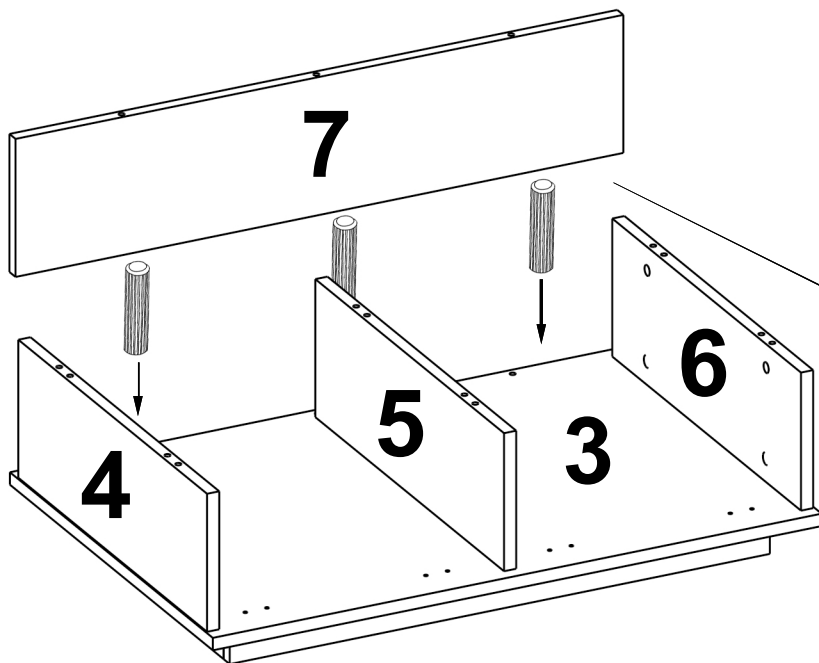
x6

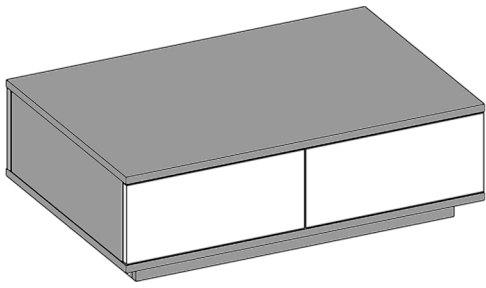


3



4





B0502



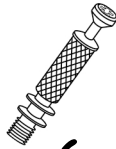
x6

B0503



x9

B0504



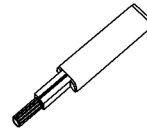
x6

B0501



x6

B1403

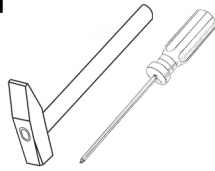


x2

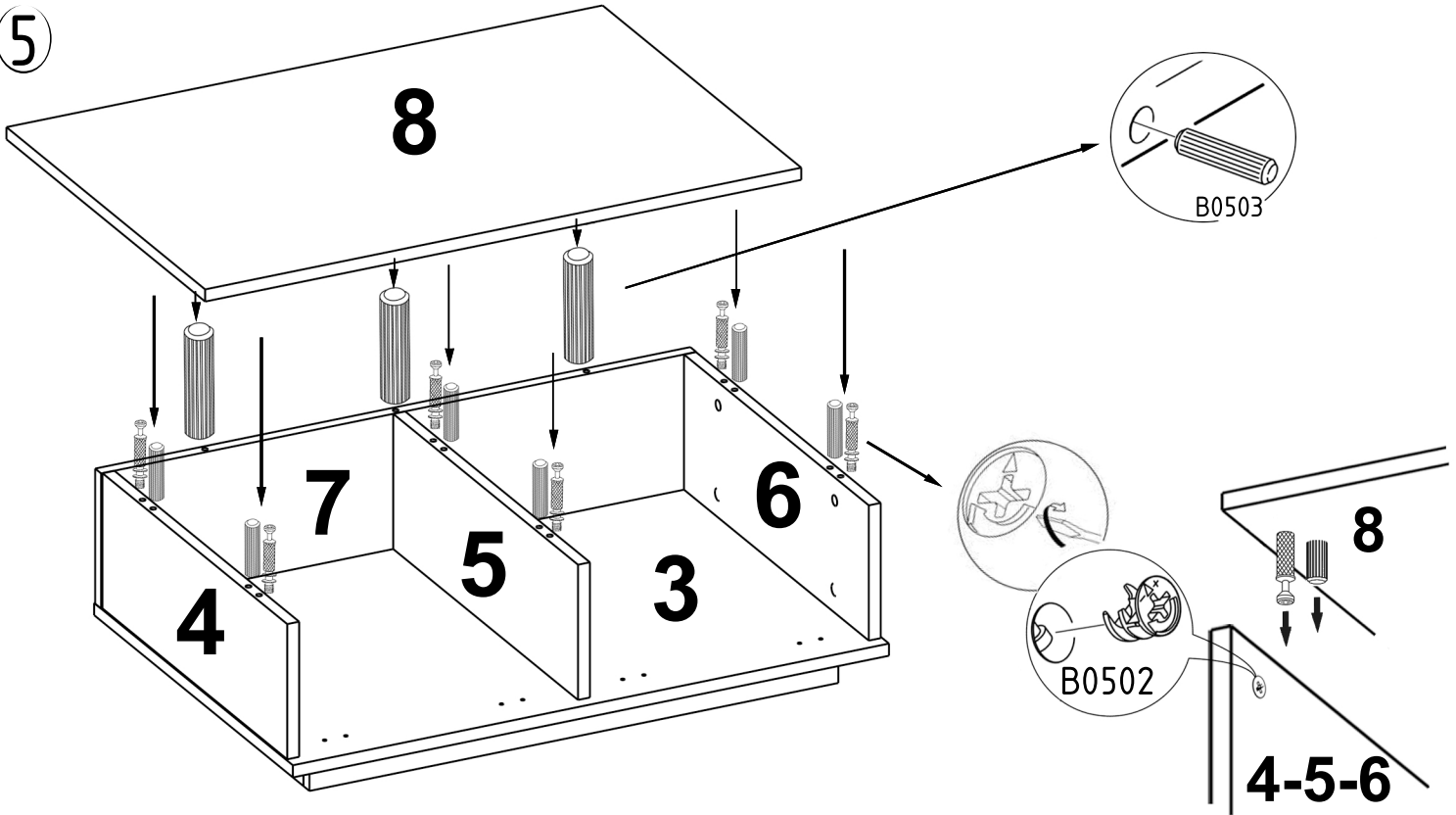
B0301



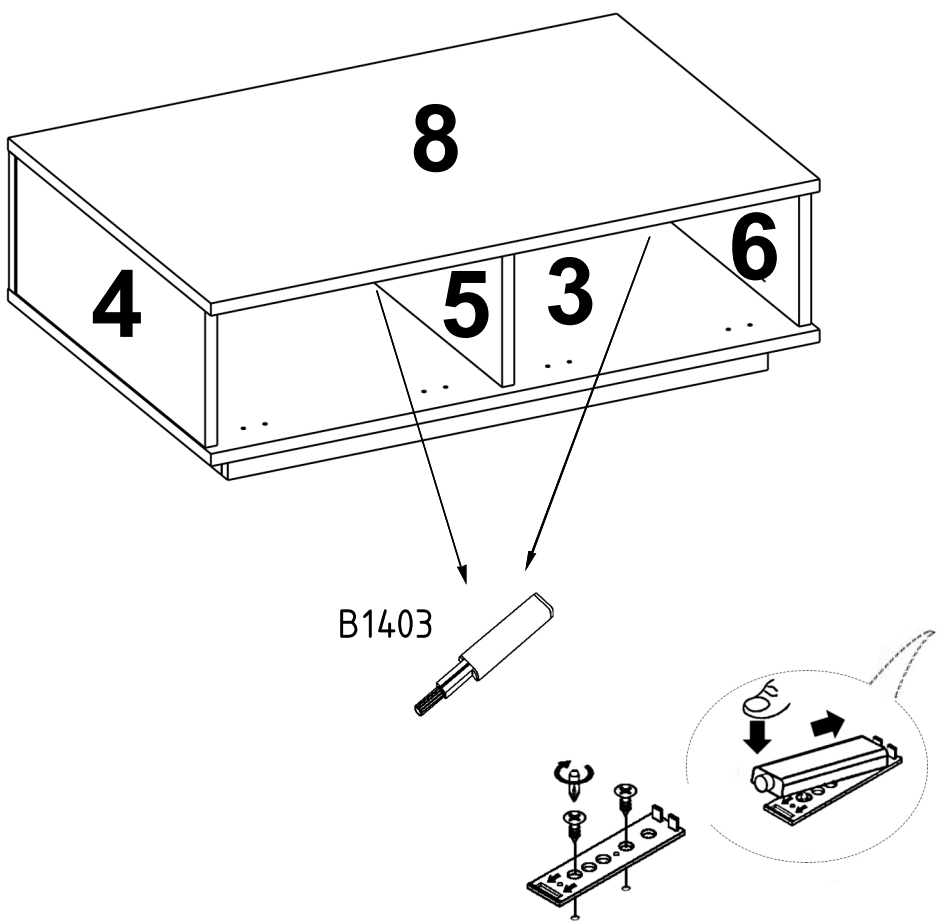
x4

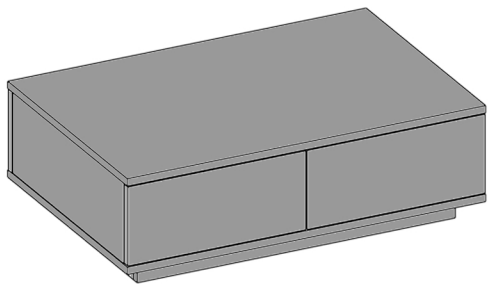


5

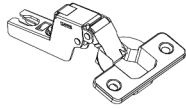


6



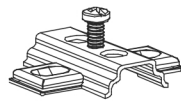


B0103



x4

B0105

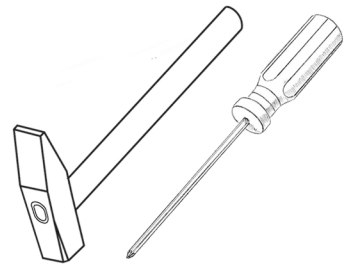


x4

B0301



x16



7

