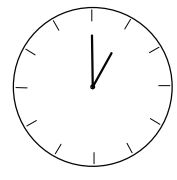
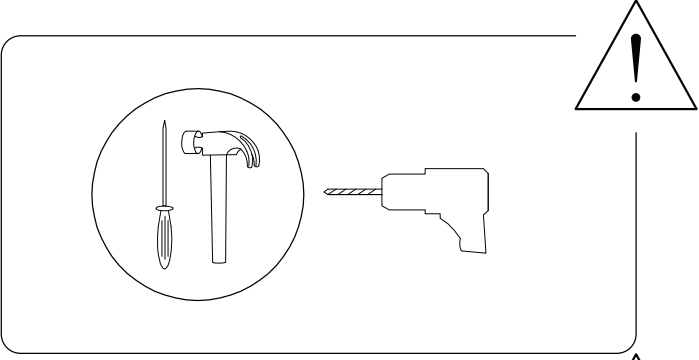
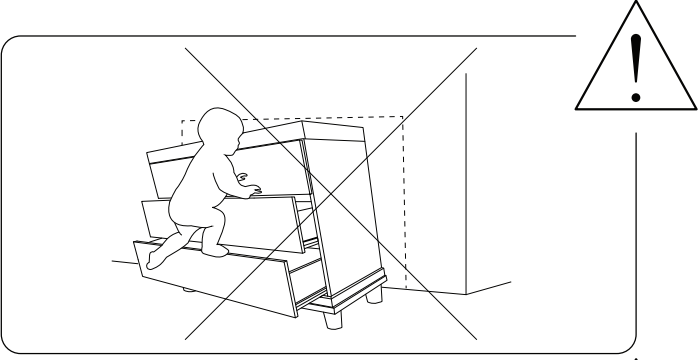
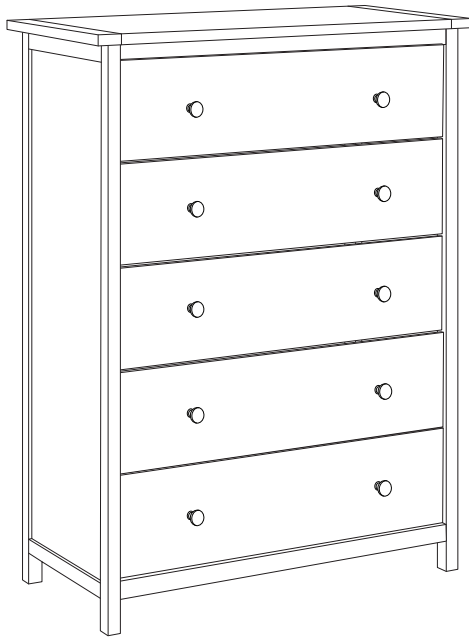
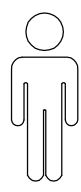
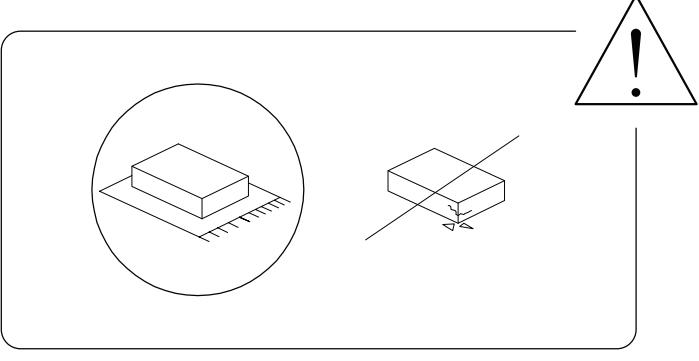


# SALTON

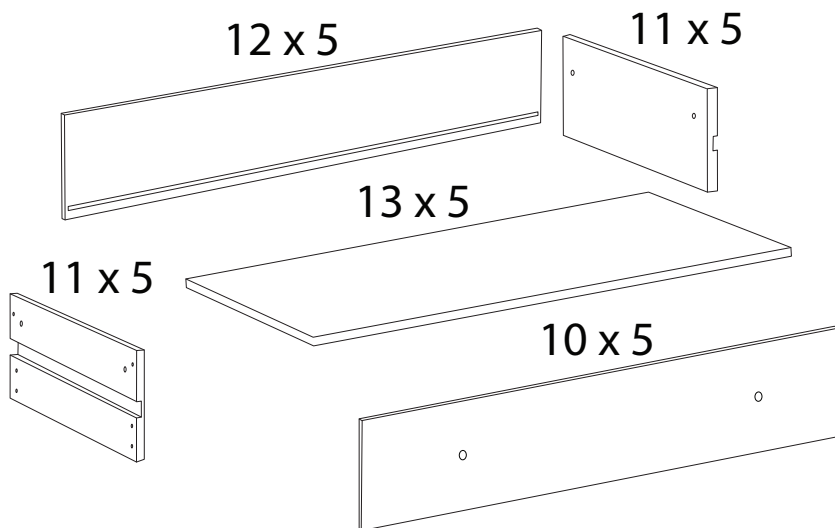
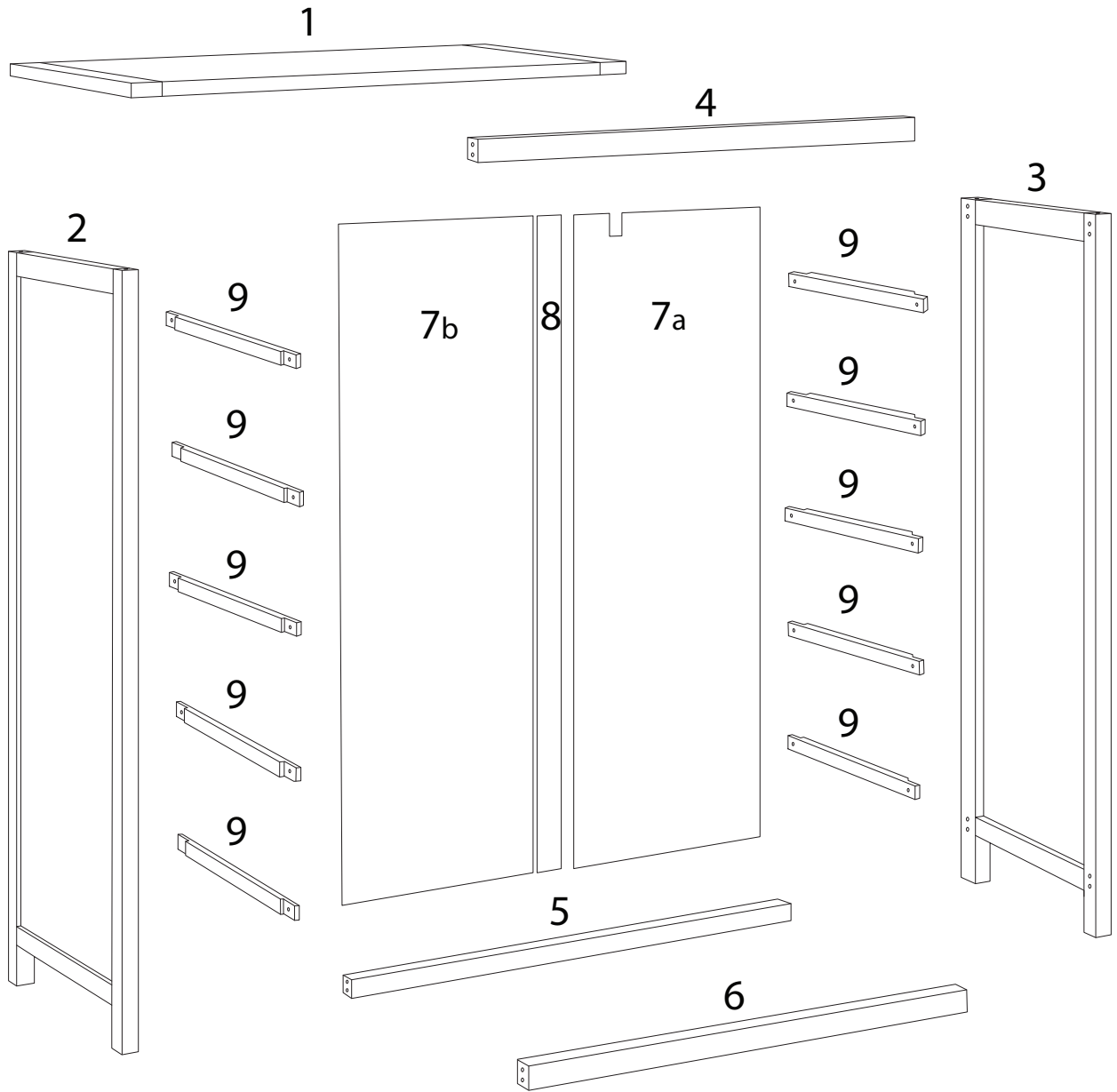




60'



2



1



x 1

2



x 1

3



x 1

4



x 1

5



x 1

6



x 1

7a



x 1

7b



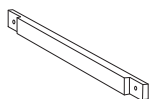
x 1

8



x 1

9



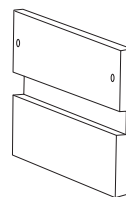
x 10

10



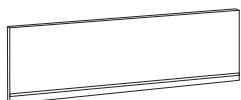
x 5

11



x 10

12



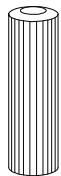
x 5

13



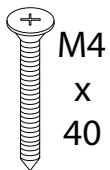
x 5

A



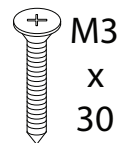
x 26

B



x 12

C



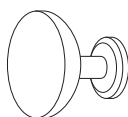
x 80

D



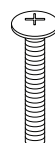
x 24

E



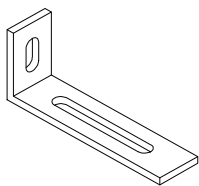
x 10

F



x 10

G



x 1

H



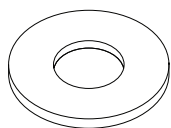
x 1

I



x 1

J



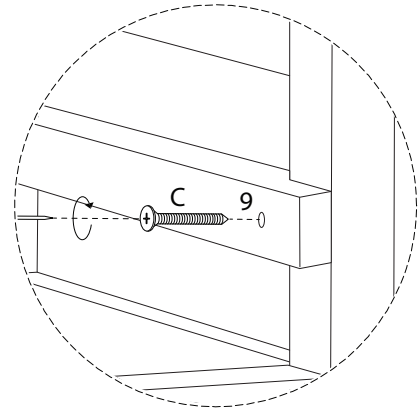
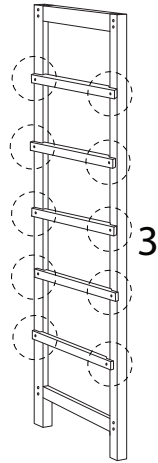
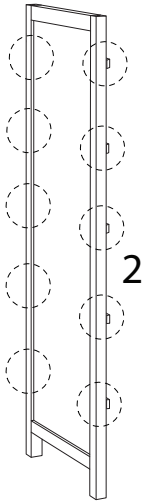
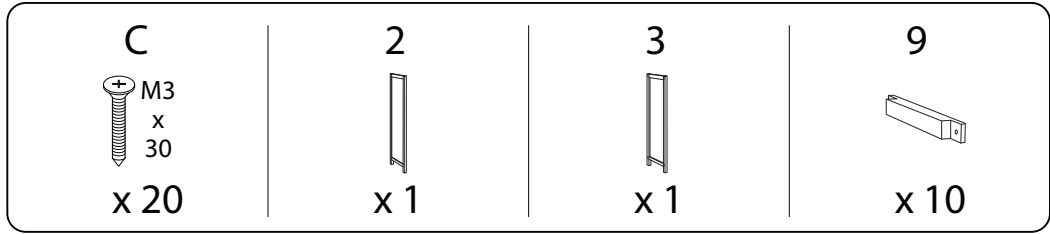
x 2

K

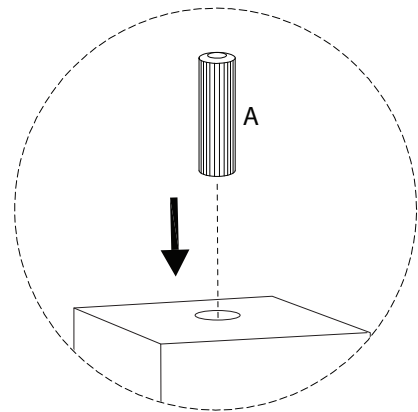
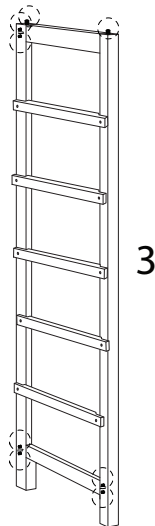
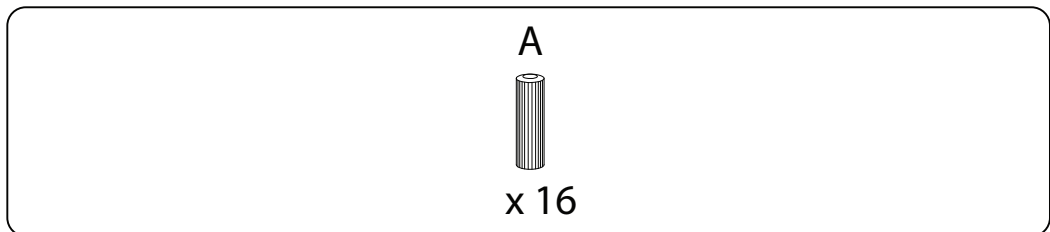


x 1

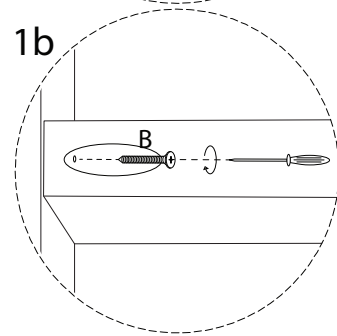
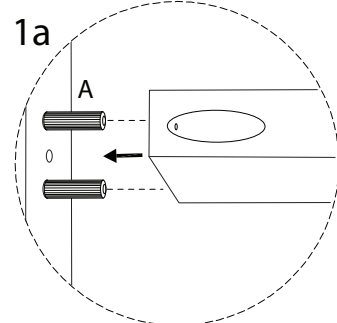
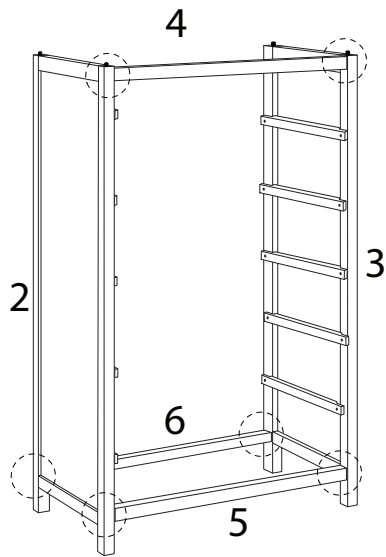
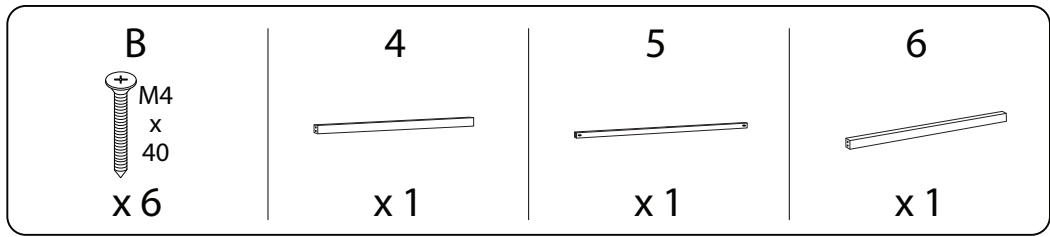
1



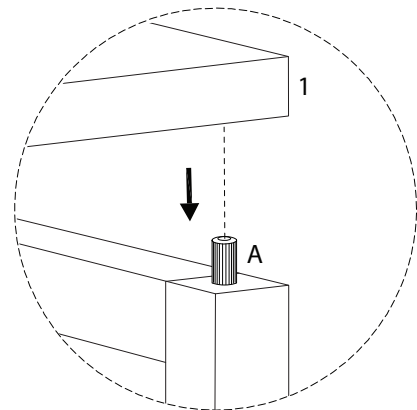
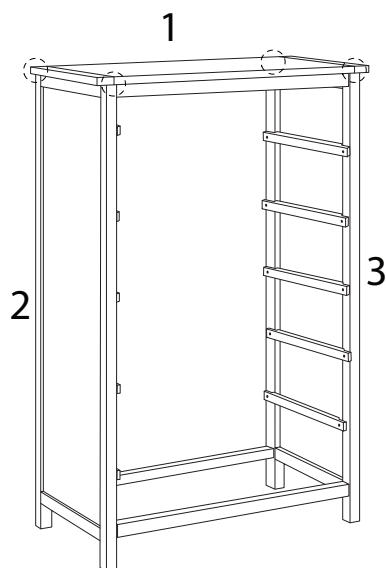
2



3

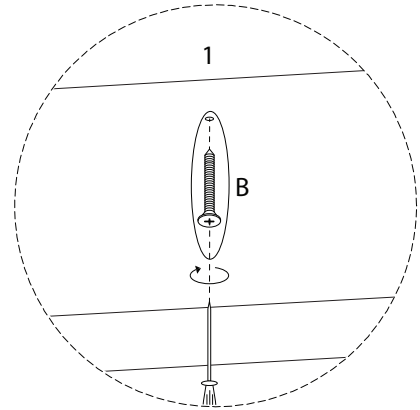
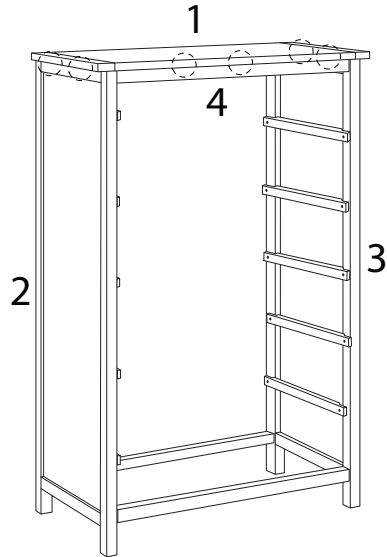


4



5

B  
M4  
x  
40  
x 6



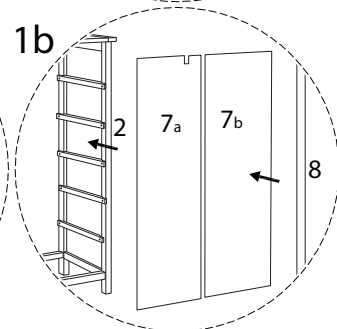
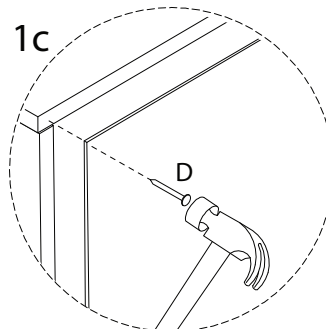
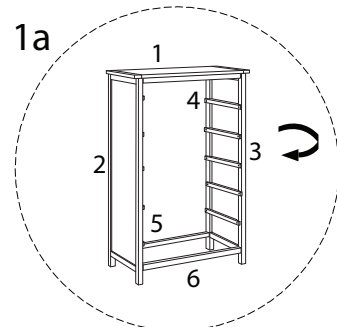
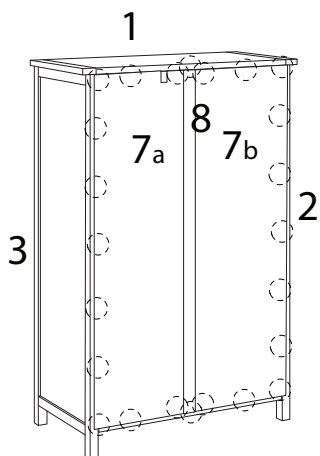
6

D  
x 24

7a  
x 1

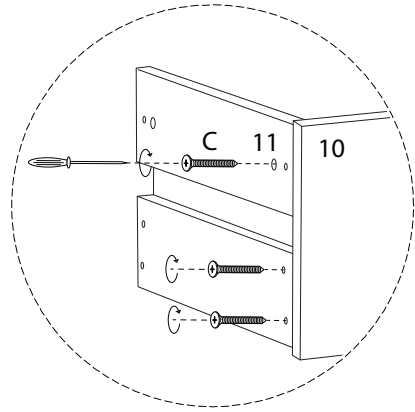
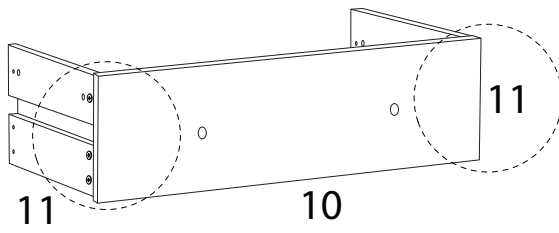
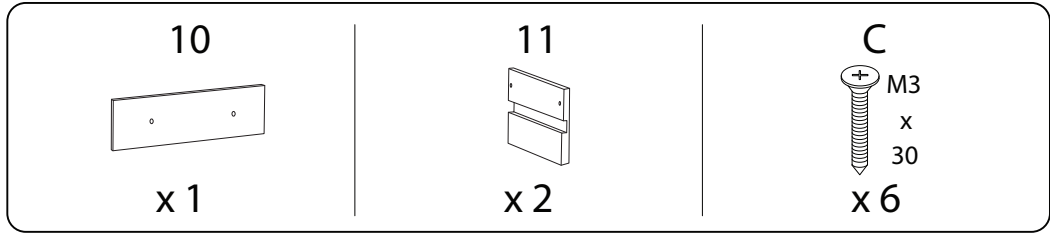
7b  
x 1

8  
x 1

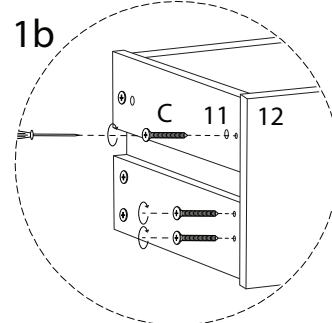
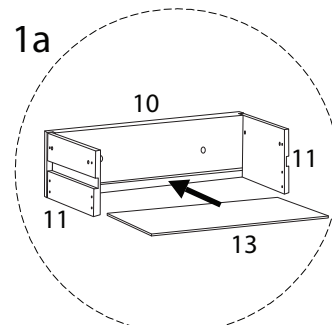
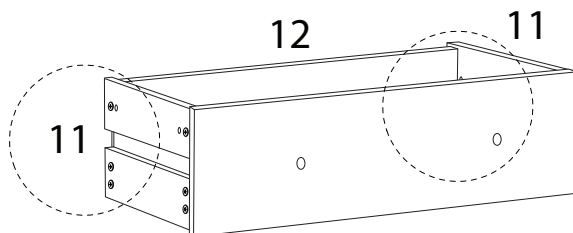
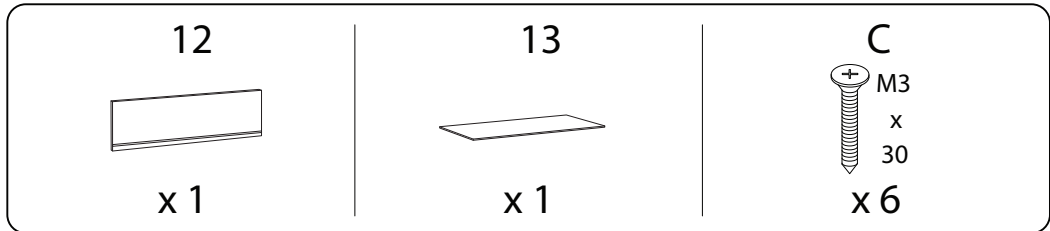




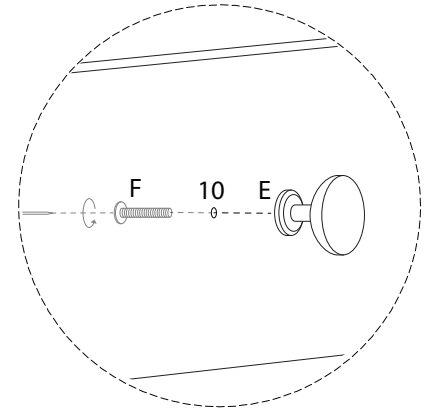
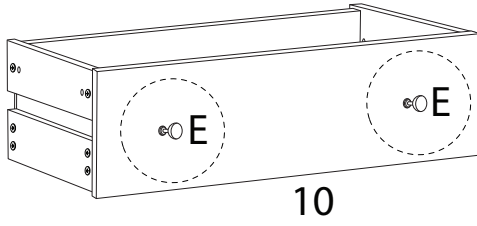
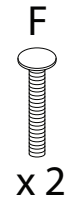
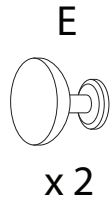
7 x 5



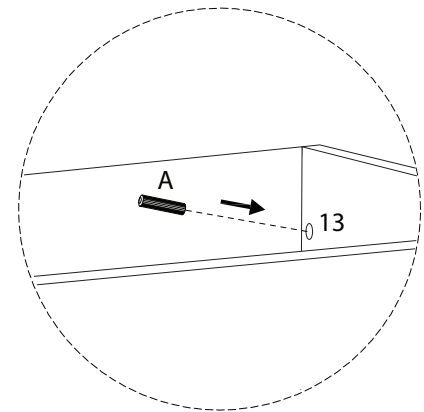
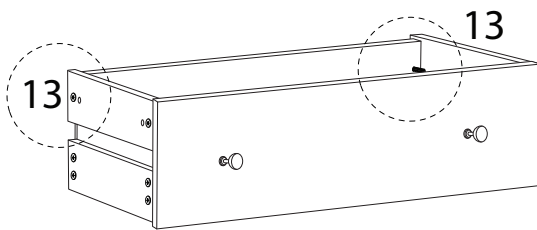
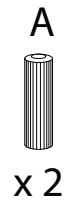
8 x 5



9 x 5



10 x 5

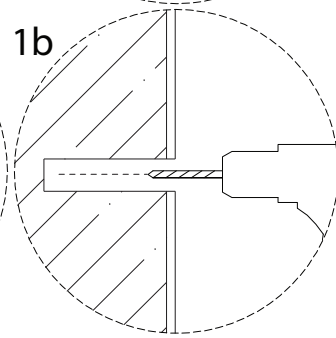
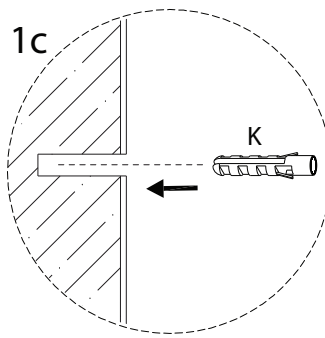
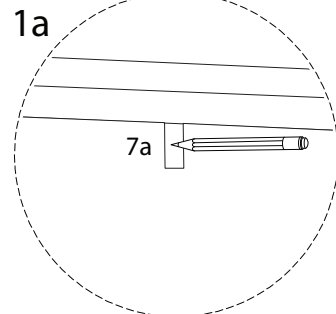
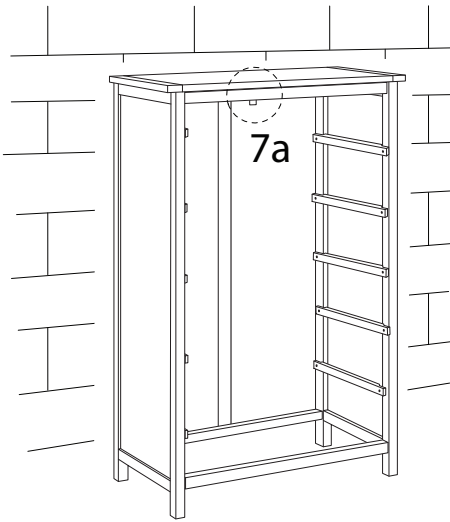


11

K

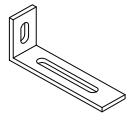


x 1



12

G



x 1

H



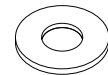
x 1

I

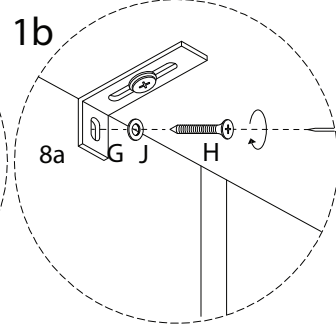
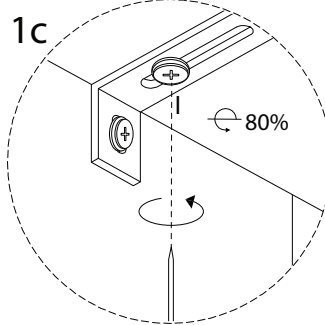
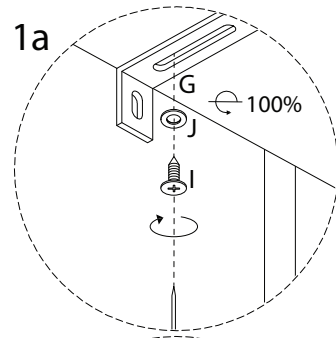
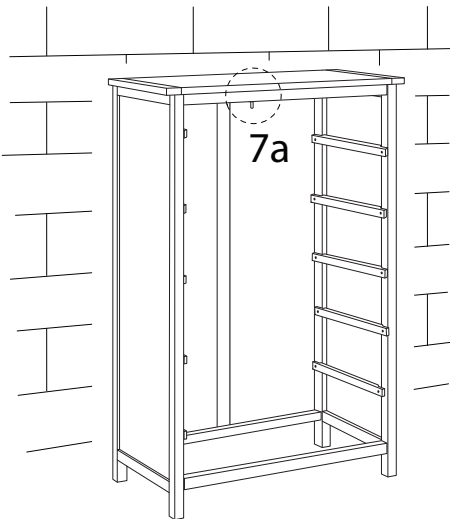


x 2

J



x 1



!

