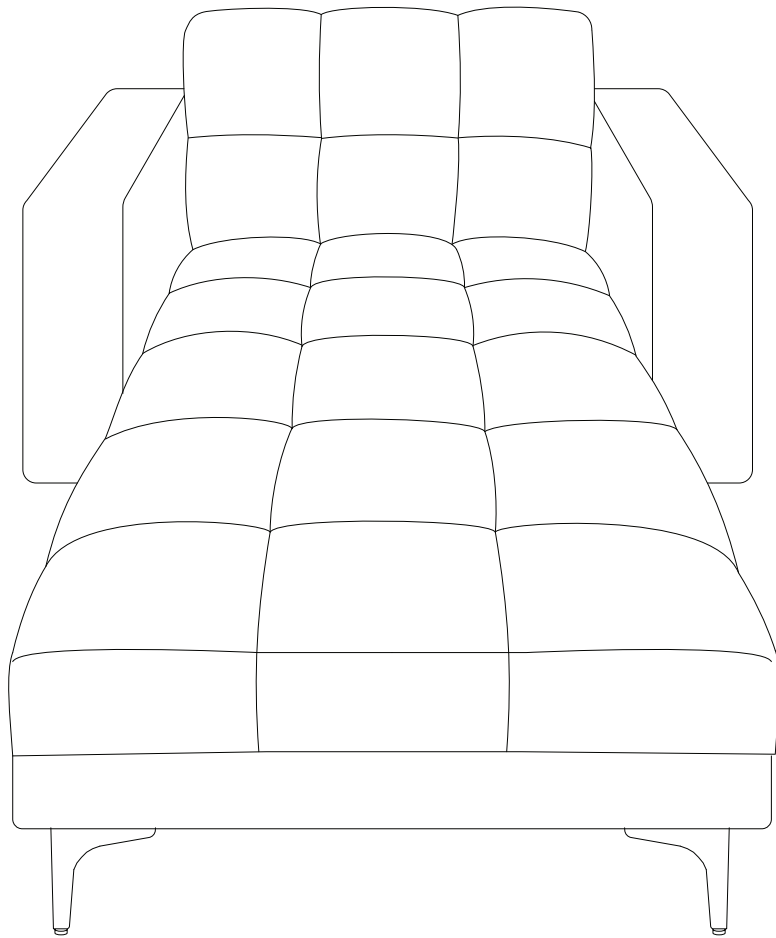
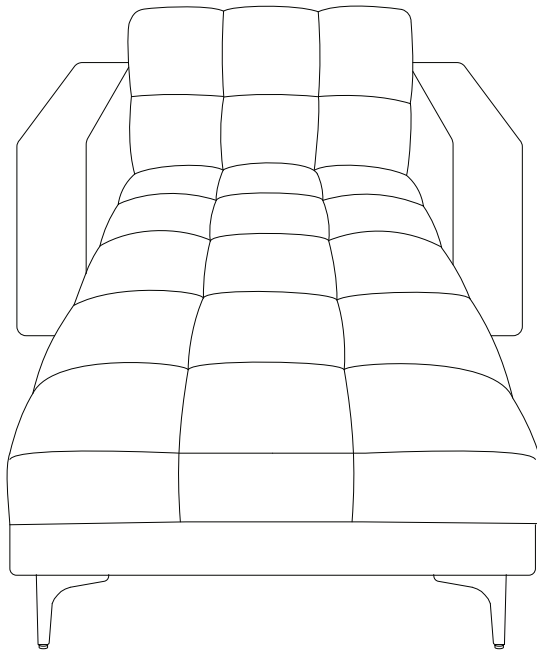


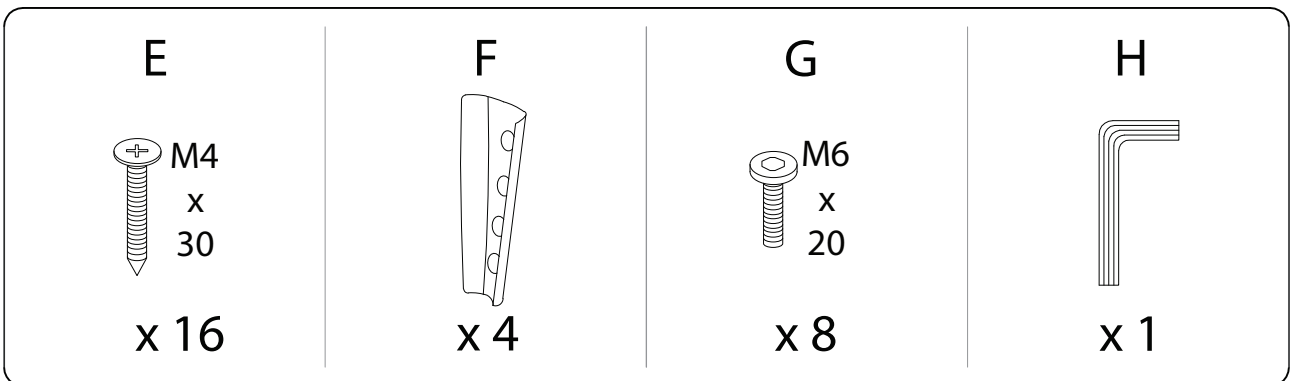
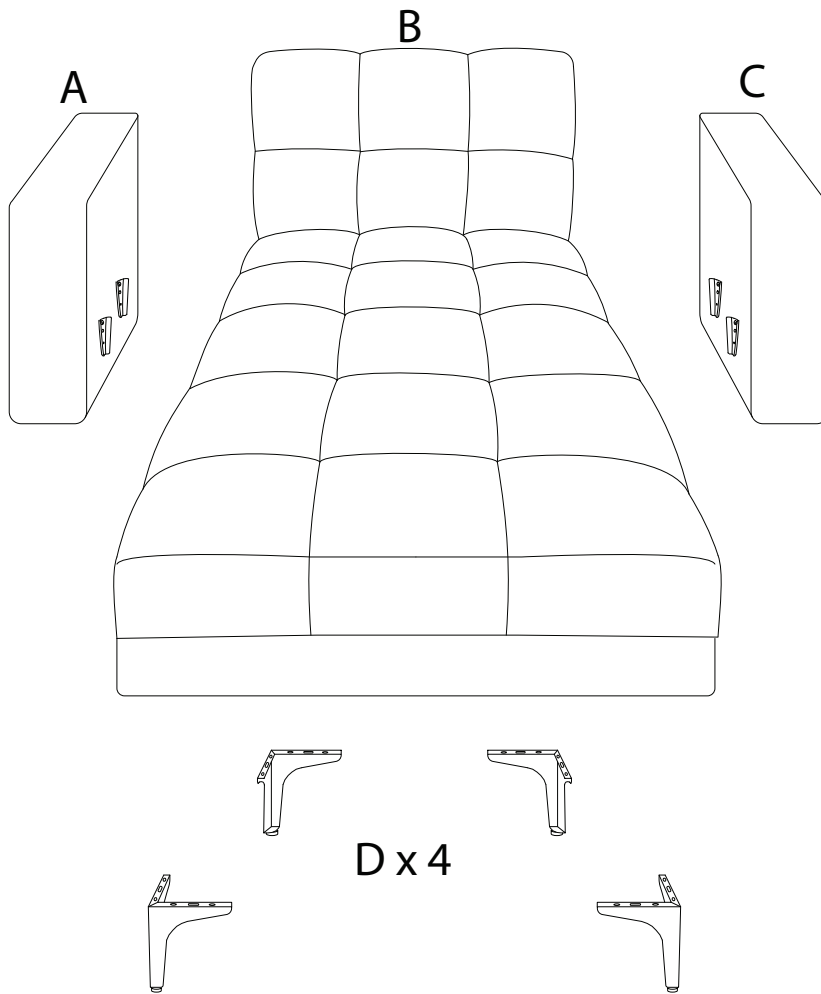
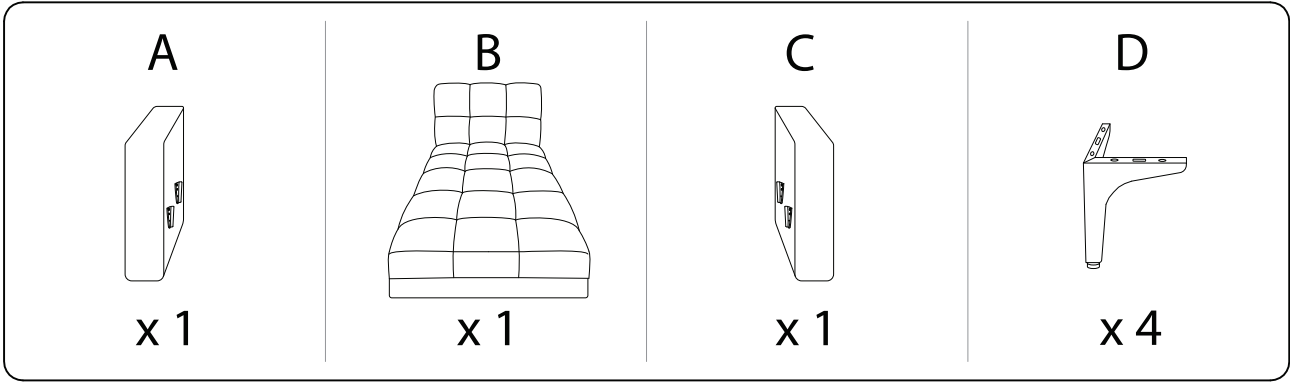
ALNES



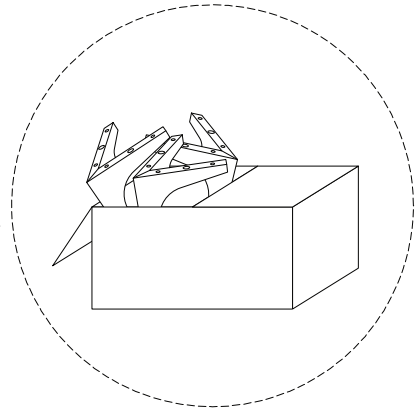
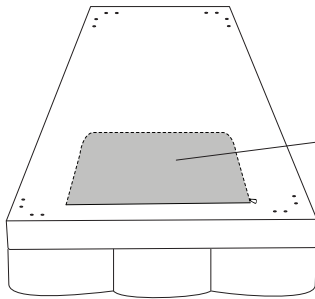
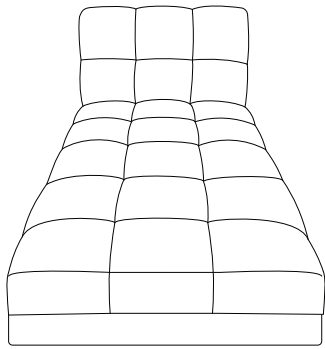


Assembly instructions for step 1/4:

- Tools: An Allen key and a screwdriver are shown in a circle. A power drill is shown with a diagonal line through it, indicating it should not be used.
- Warning: A triangle with an exclamation mark indicates a warning.
- Time: A clock icon with a circular arrow indicates a 15-minute duration.
- Personnel: A stick figure icon and the number 2 indicate that two people are required.

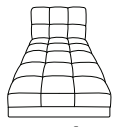


!



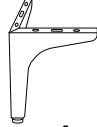
1

B



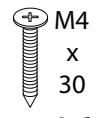
x 1

D

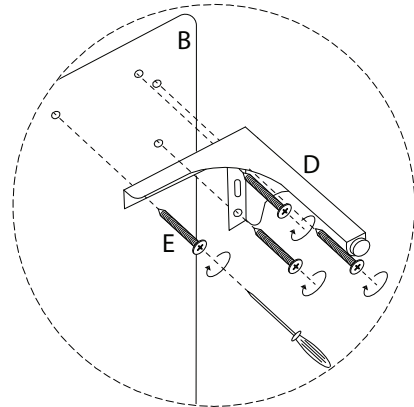
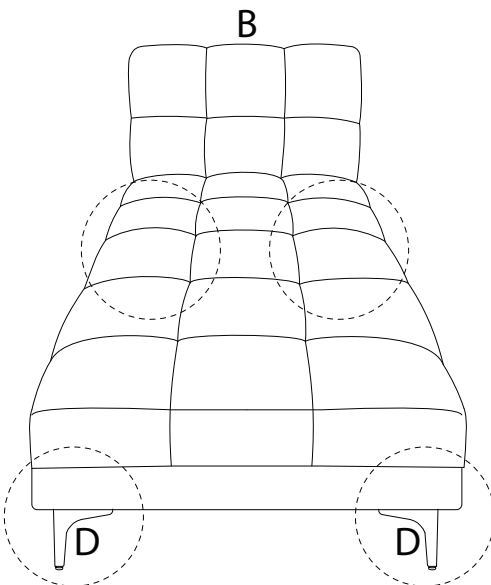


x 4

E



M4
x
30
x 16



2

F



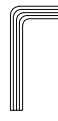
x 4

G



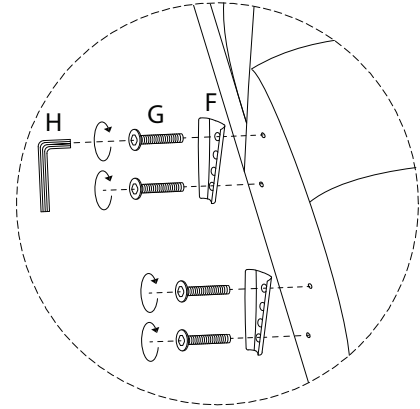
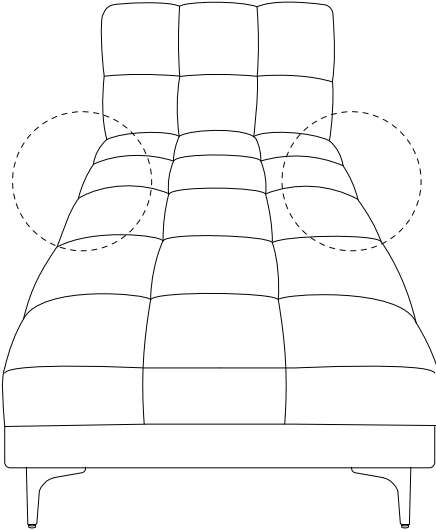
x 8

H



x 1

B



3

A



x 1

C



x 1

B

