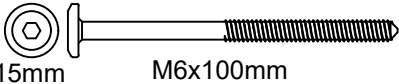


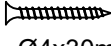
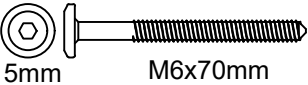

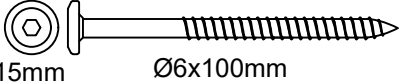
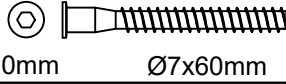


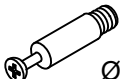
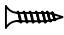
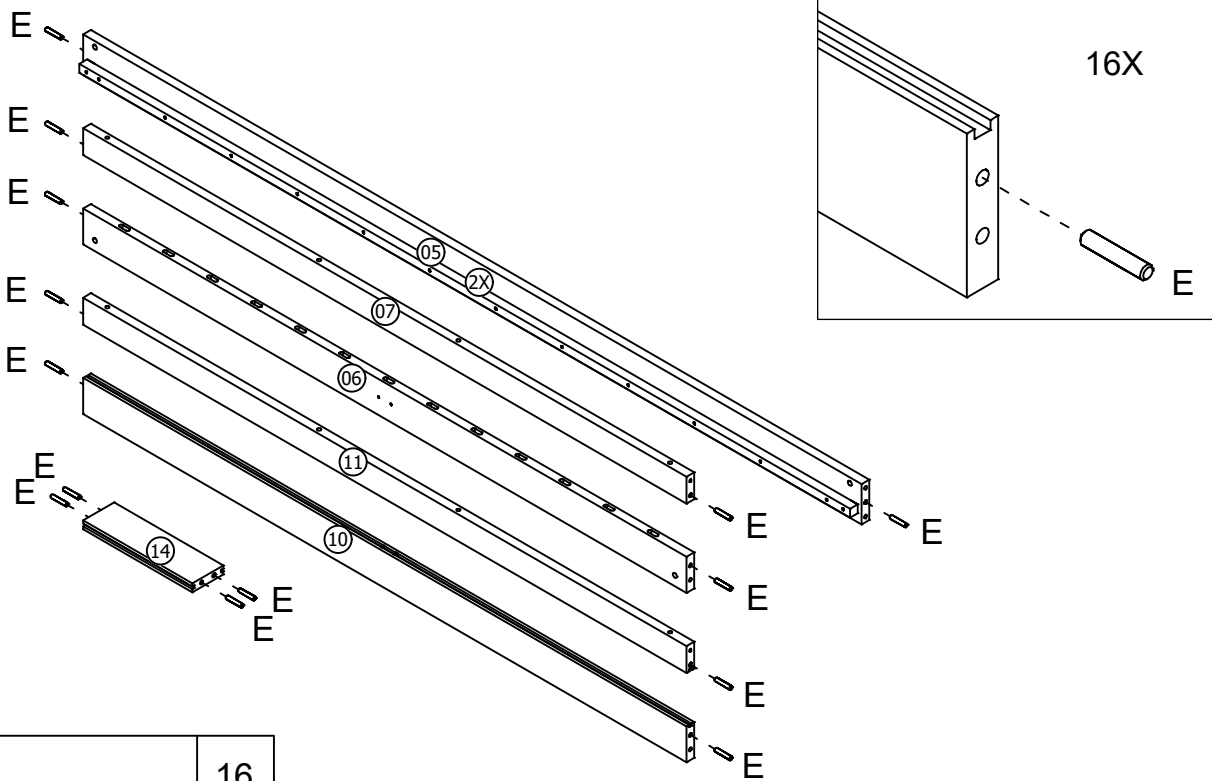
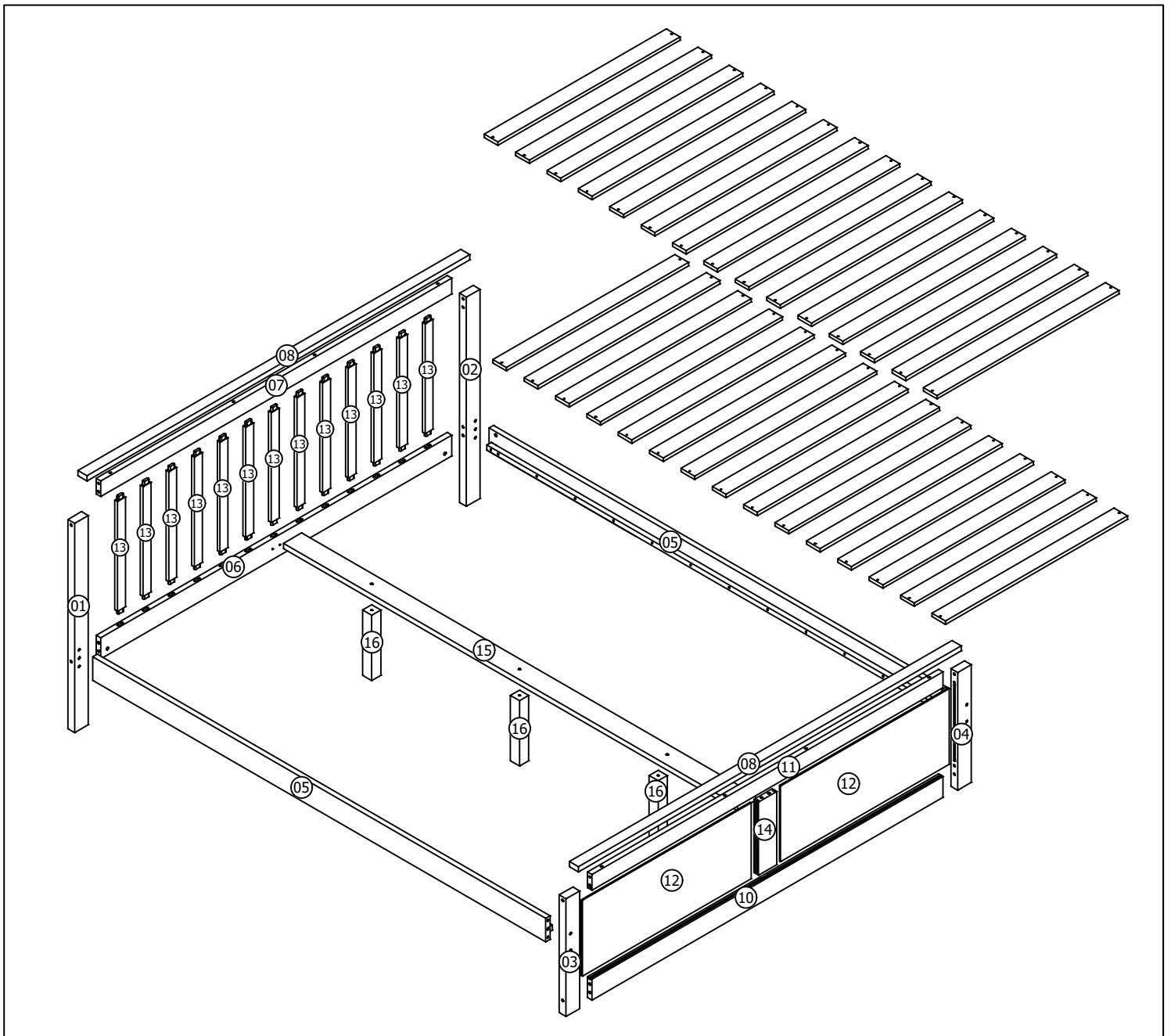




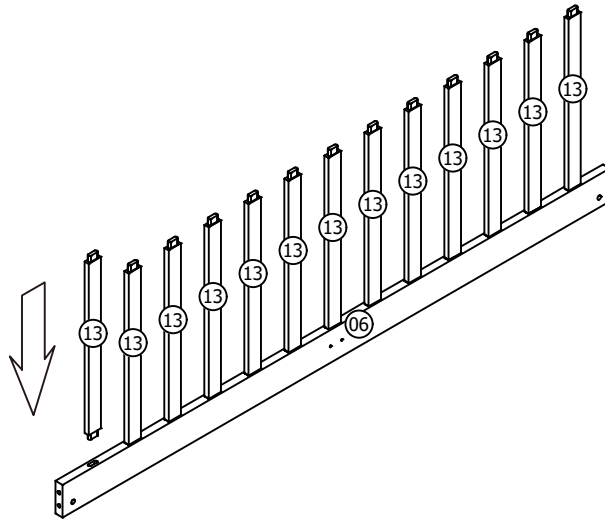
HARDWARE

A	 15mm M6x100mm	04	G		08
B		12	H	 8mm Ø4x30mm	64
C	 15mm M6x70mm	08	I	 4MM	01
D	 15mm Ø6x100mm	04	J	 10mm Ø7x60mm	03
E	 8mm Ø8x30mm	16	K		02
F	 Ø6x35mm	08	L	 8mm Ø4x16mm	12

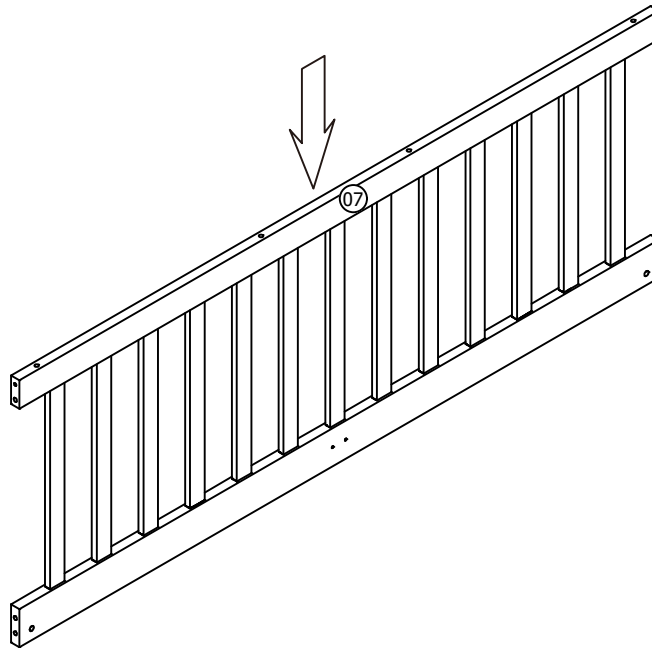


E	 8mm	 Ø8x30mm	16
---	--	--	----

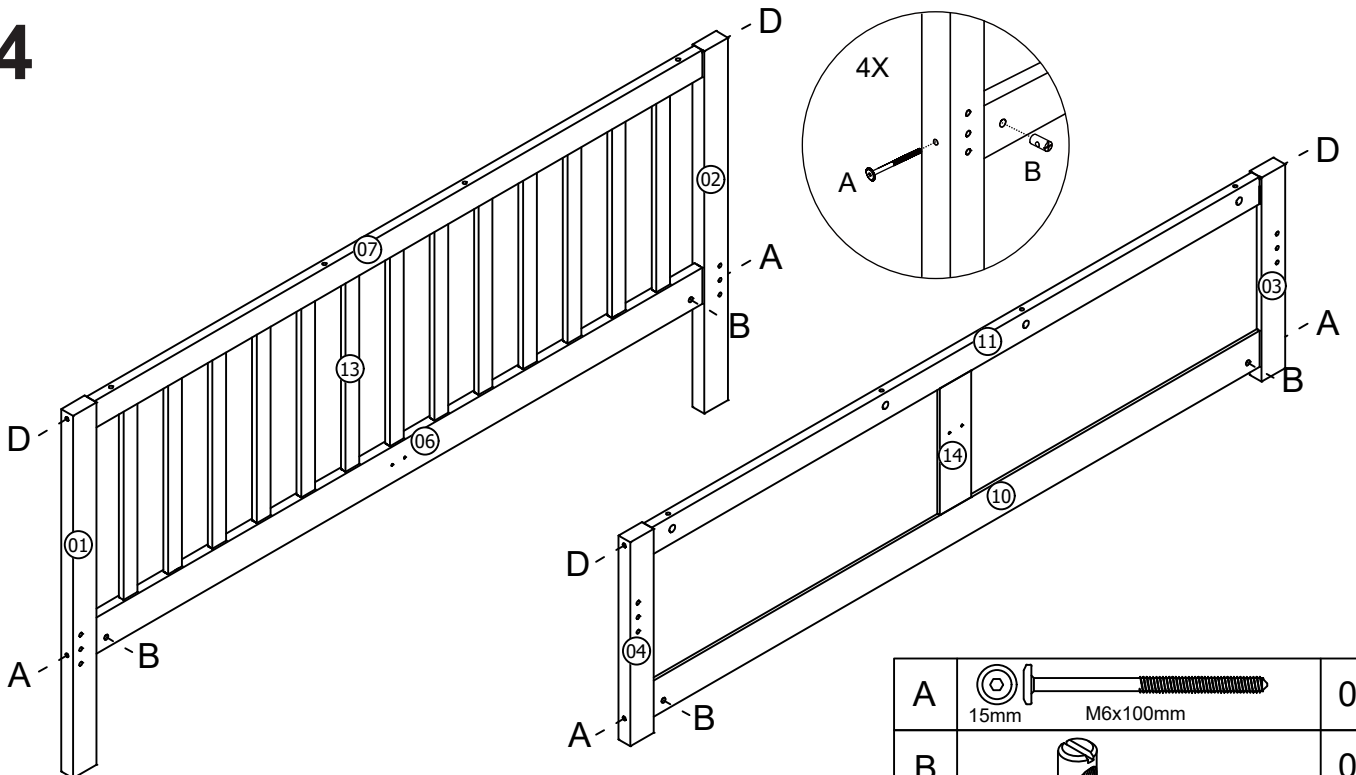
02




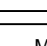


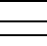
03



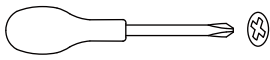
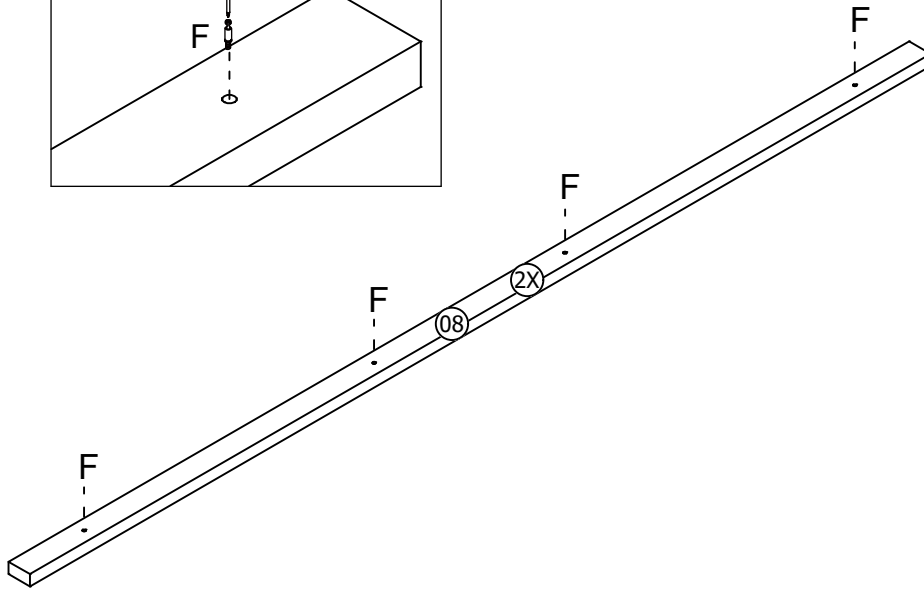
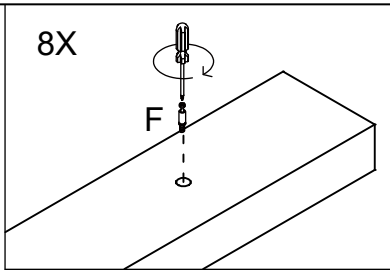
04




I	 4MM	01
---	---	----

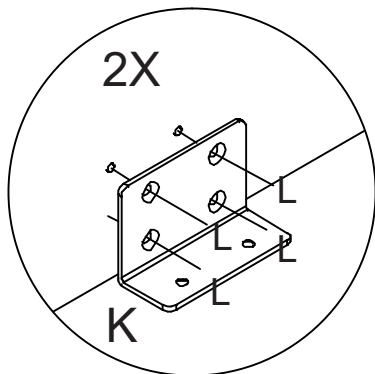
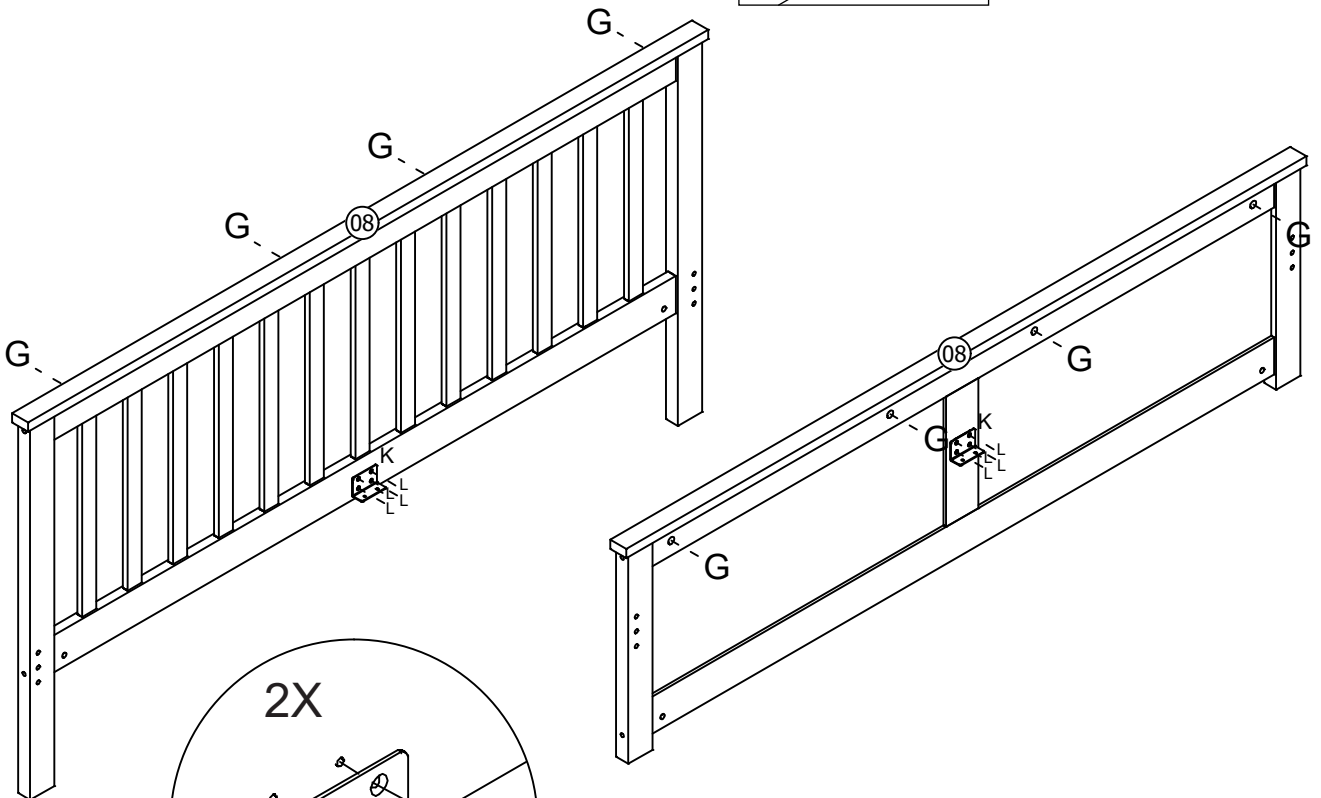
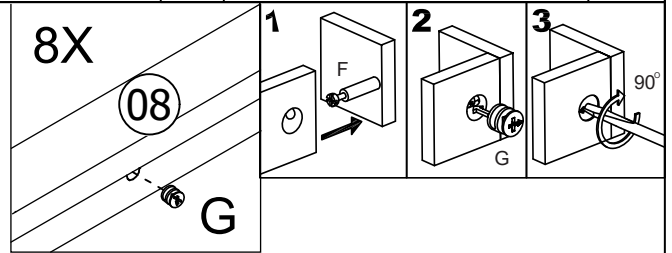
A	 15mm	 M6x100mm	04
B			04
D	 15mm	 Ø6x100mm	04




05



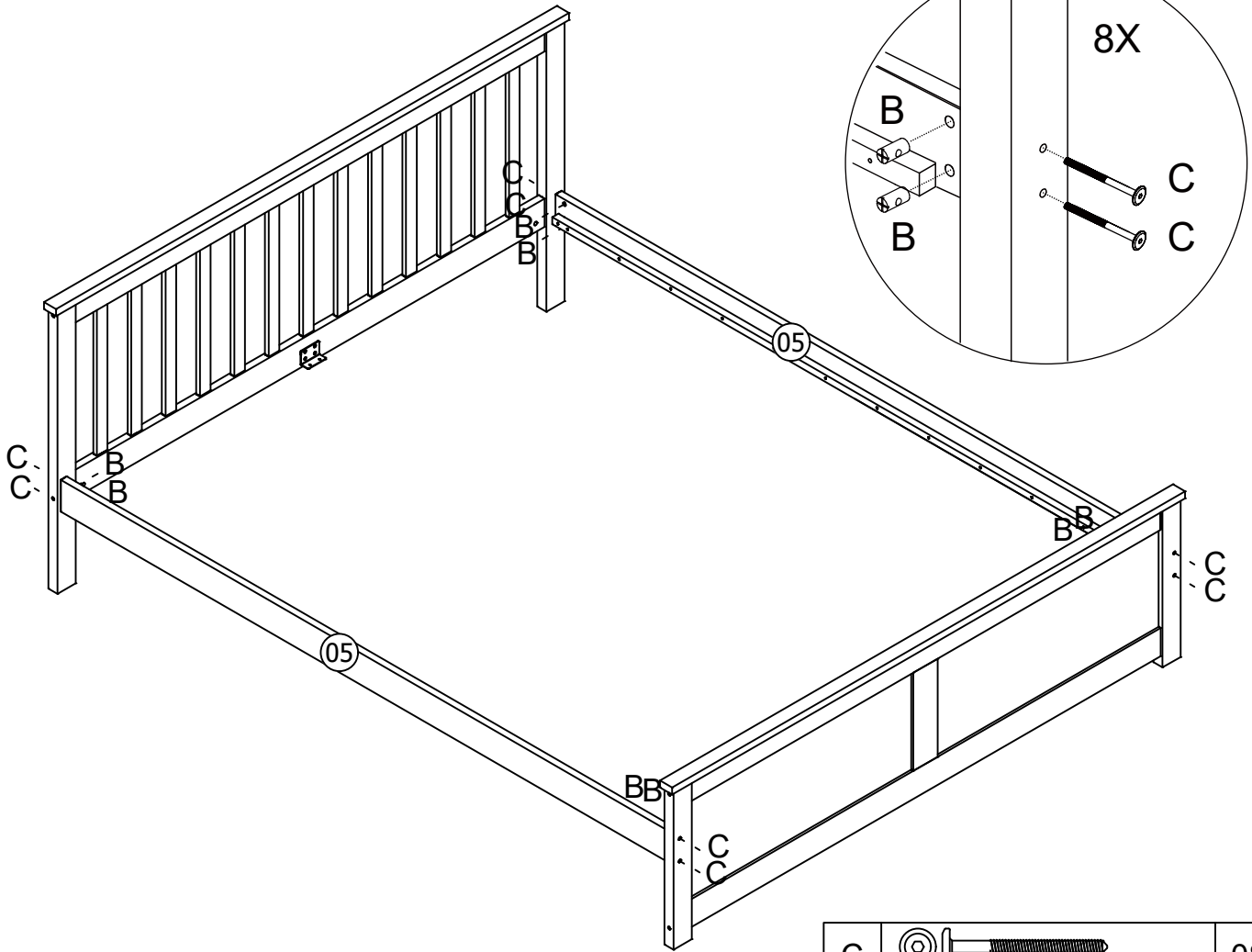
F	 Ø6x35mm	08
---	---	----



06



G		08
K		02
L	 8mm Ø4x16mm	12

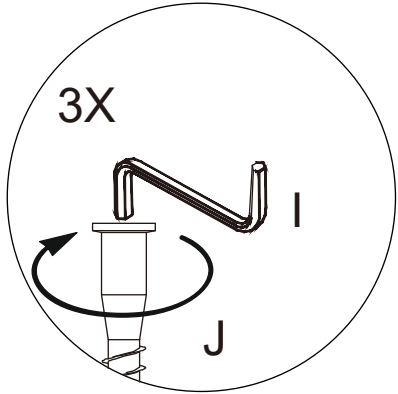
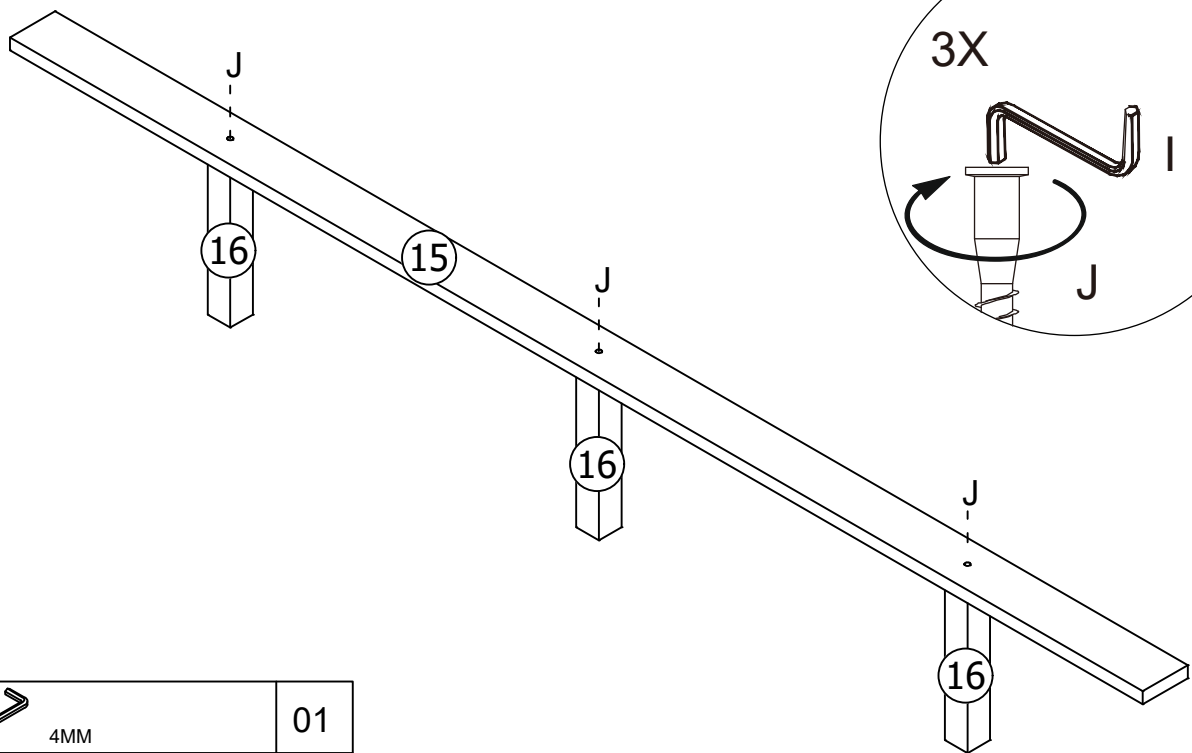
07





C	 15mm M6x70mm	08
B		08

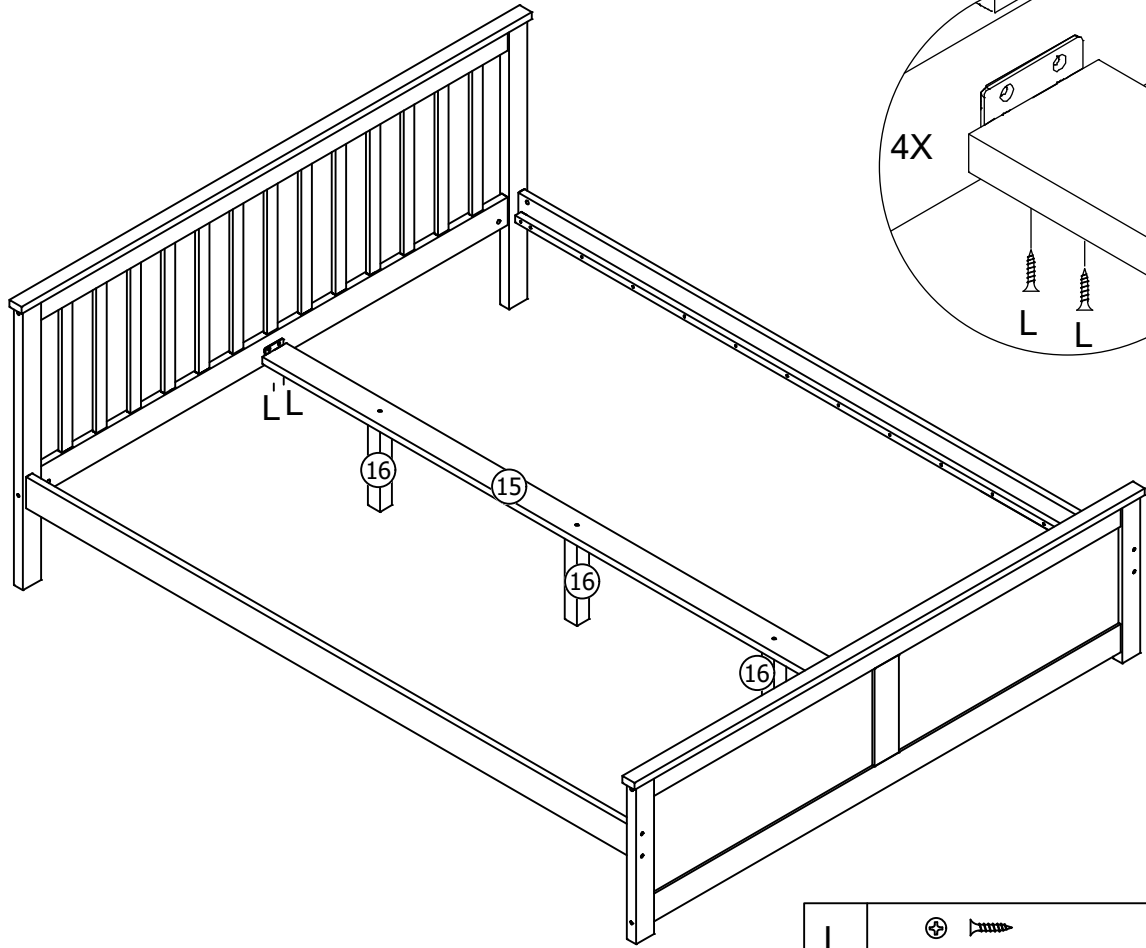
I	 4MM	01
---	--	----

08



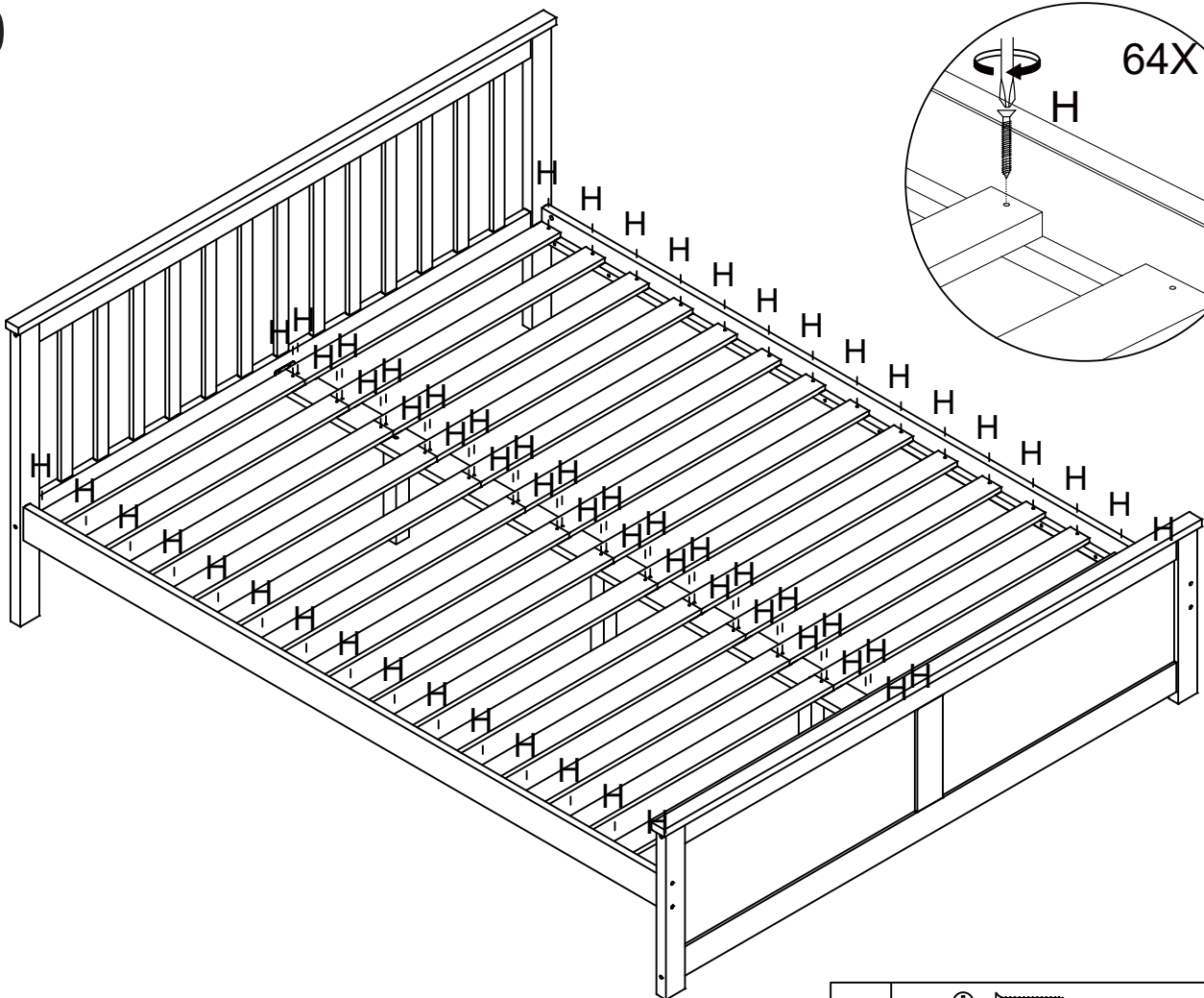
I	 4MM	01
J	 10mm Ø7x60mm	03


08



L	 8mm Ø4x16mm	04
---	---	----

09



H	 8mm Ø4x30mm	64
---	---	----