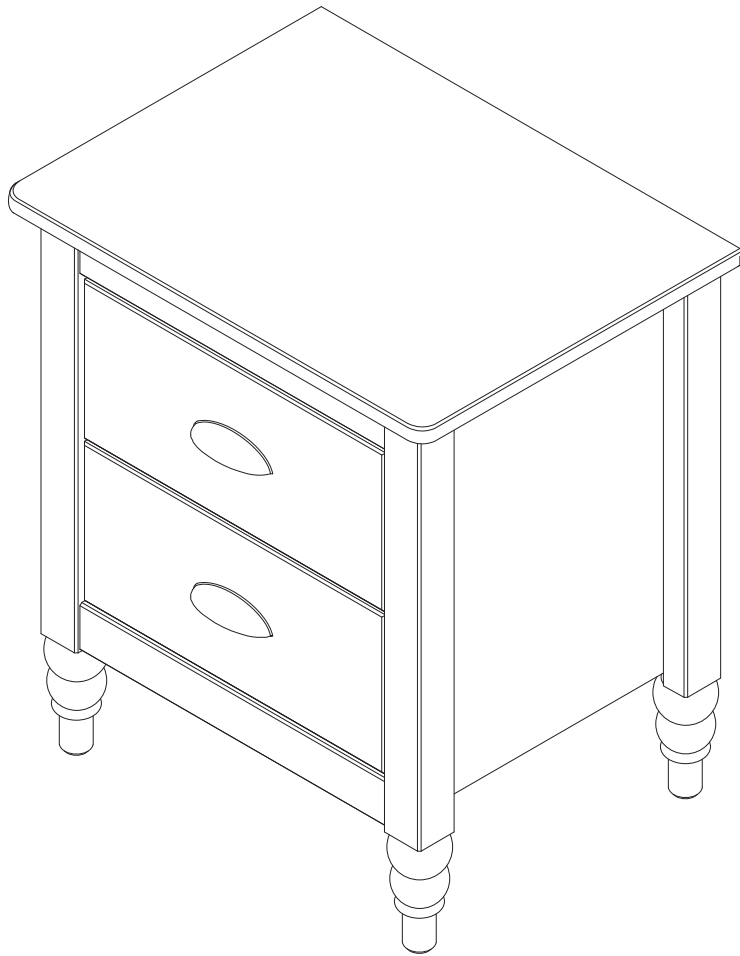
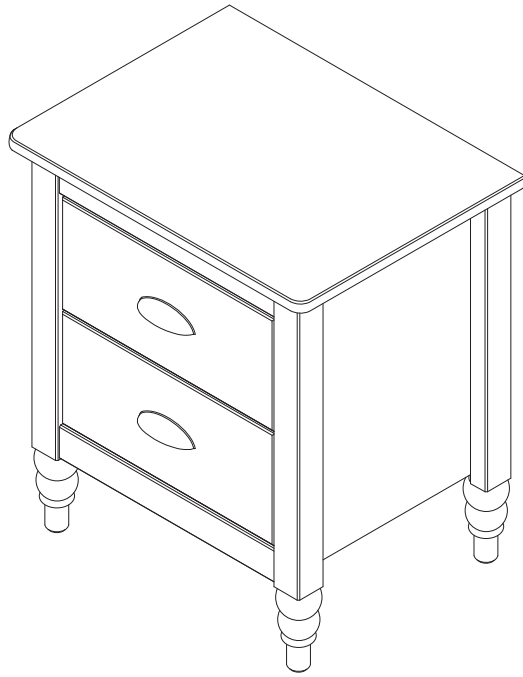


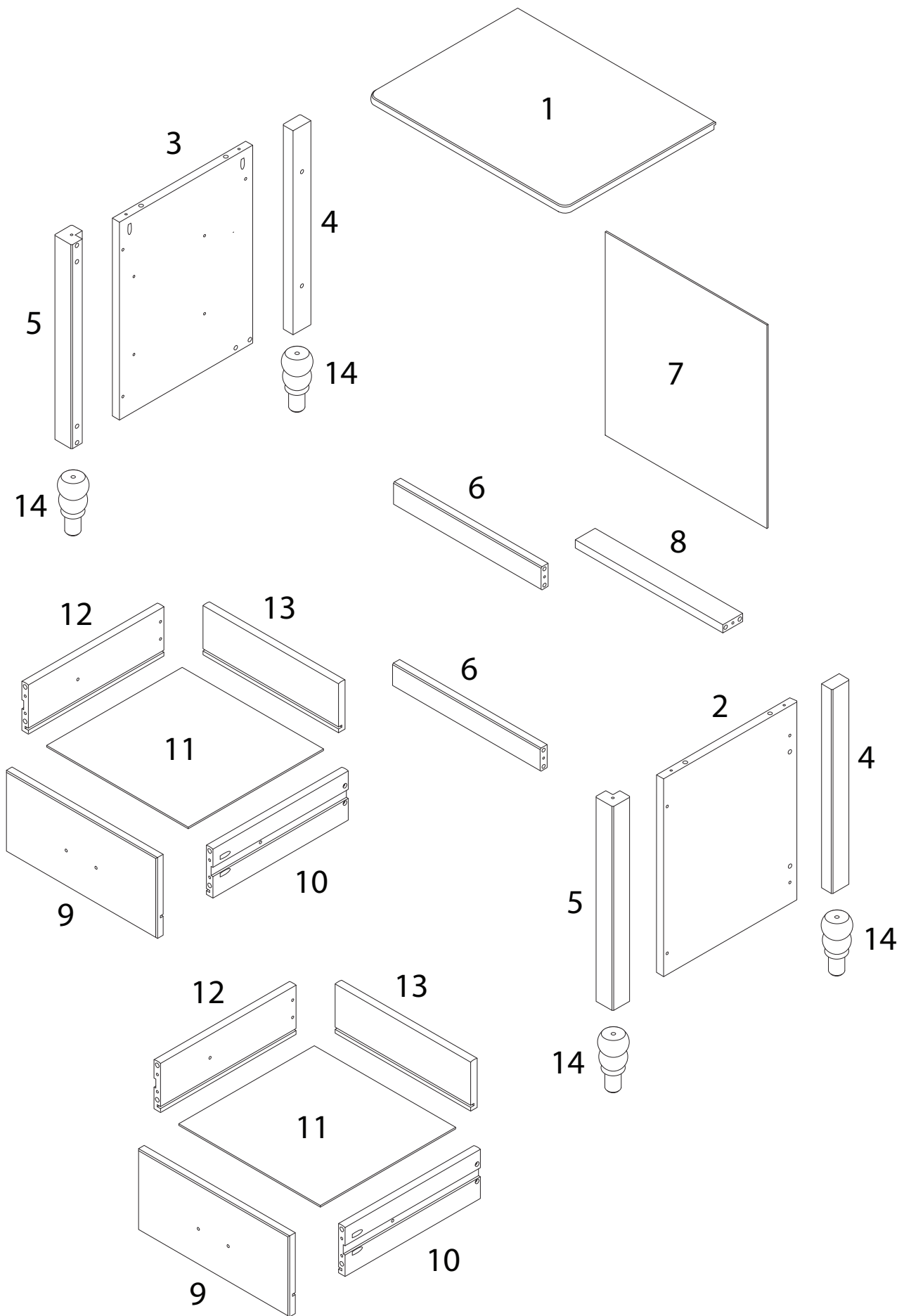
SHILLINGTON



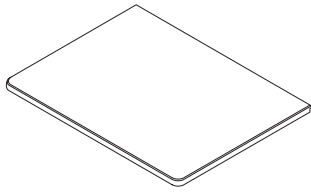


Assembly instructions for step 1/12:

- Tools:** A circle containing a screwdriver and a hammer, and a crossed-out power drill icon.
- Warning:** A triangle with an exclamation mark.
- Time:** A clock icon with the text "30'".
- Personnel:** A stick figure icon with the number "1" below it.
- Diagram:** A circle containing a block being placed on a surface, and a crossed-out diagram showing a block being inserted into a hole.
- Warning:** A triangle with an exclamation mark.

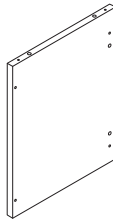


1



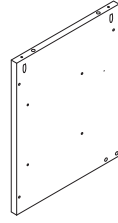
x 1

2



x 1

3



x 1

4



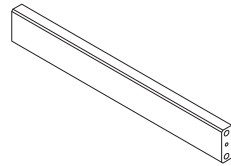
x 2

5



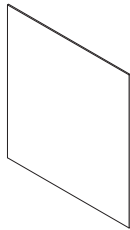
x 2

6



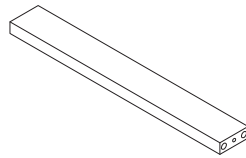
x 2

7



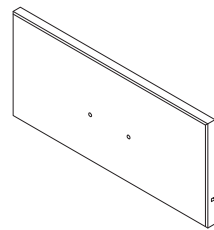
x 1

8



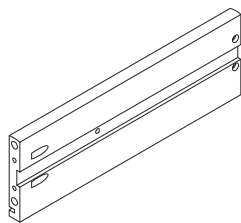
x 1

9



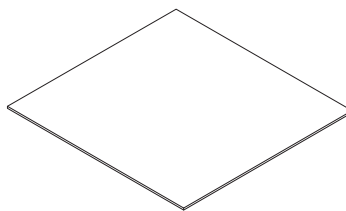
x 2

10



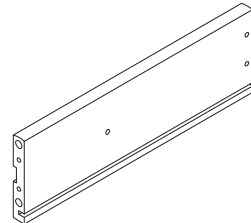
x 2

11



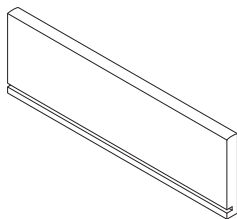
x 2

12



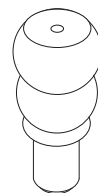
x 2

13



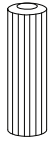
x 2

14



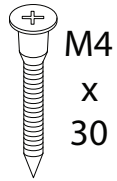
x 4

A



x 28

B



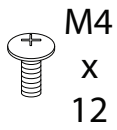
x 34

C



x 8

D



x 4

E



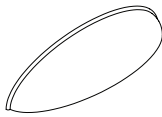
x 4

F



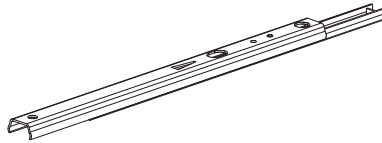
x 12

G



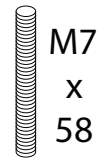
x 2

H



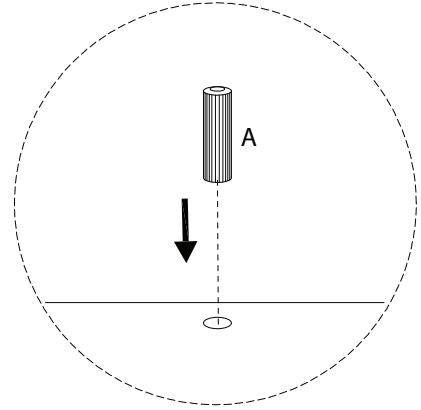
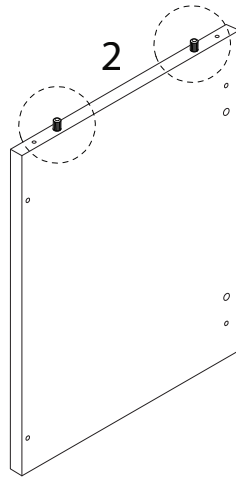
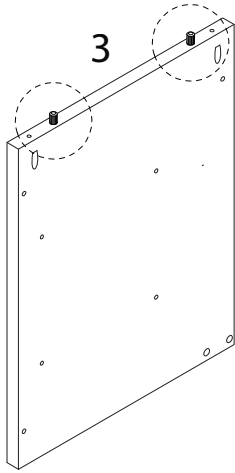
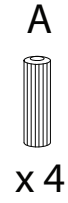
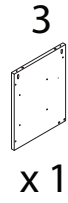
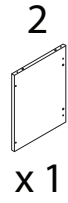
x 4

I

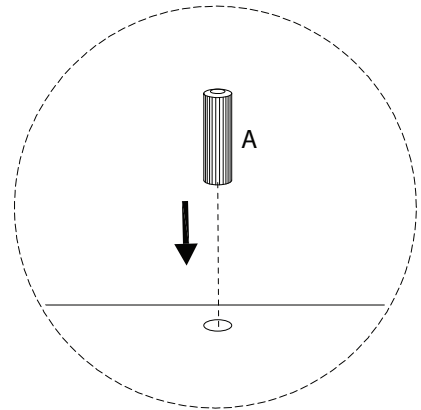
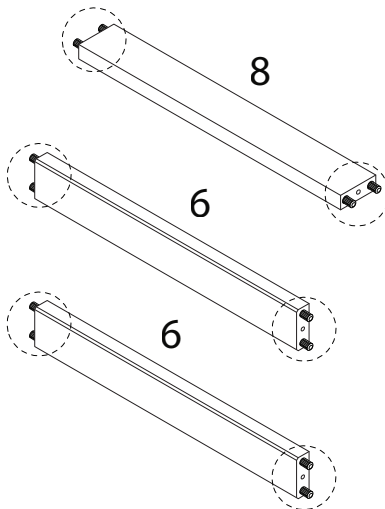
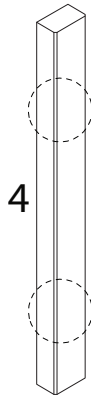
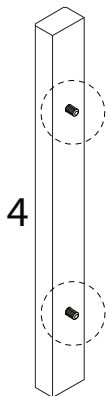
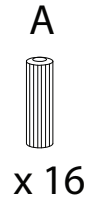
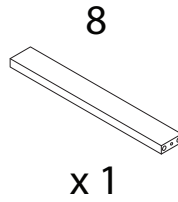
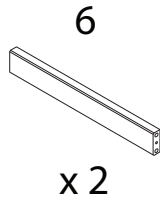


x 4

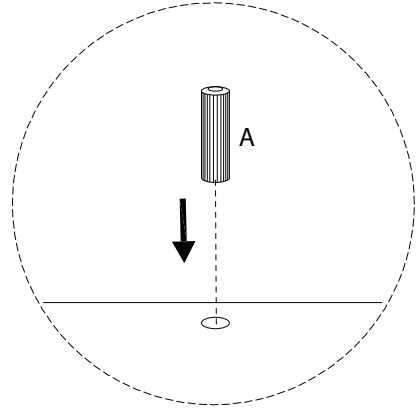
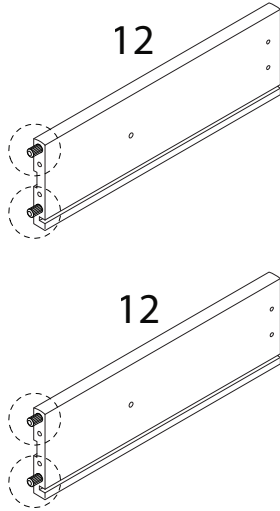
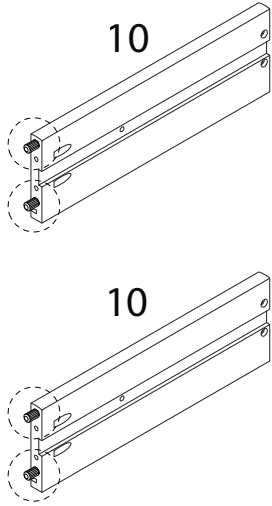
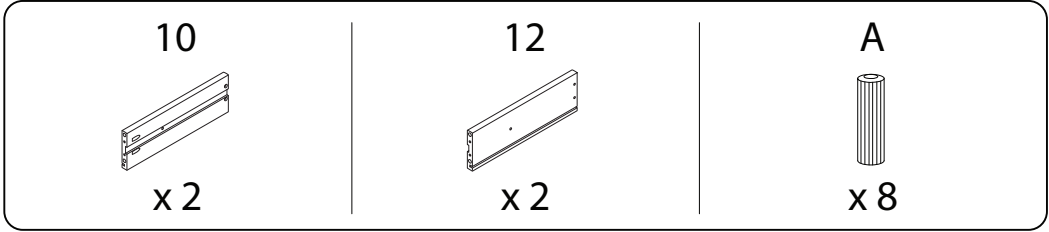
1



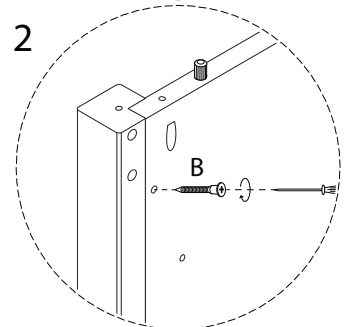
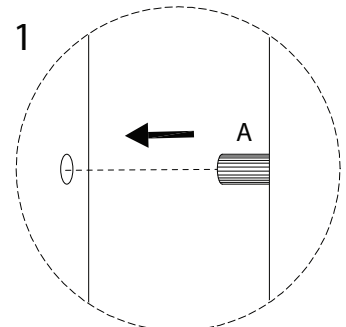
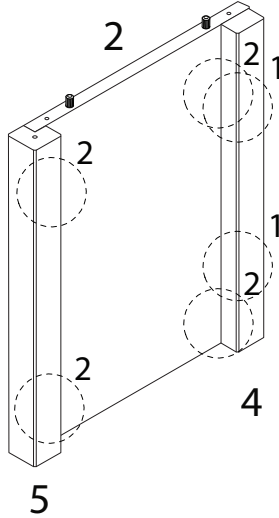
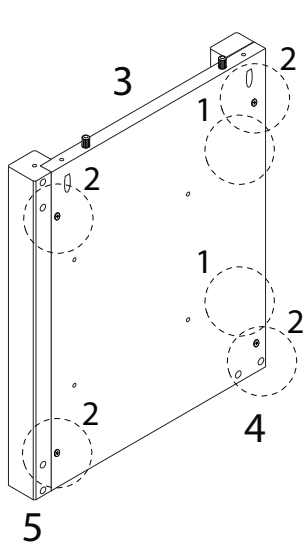
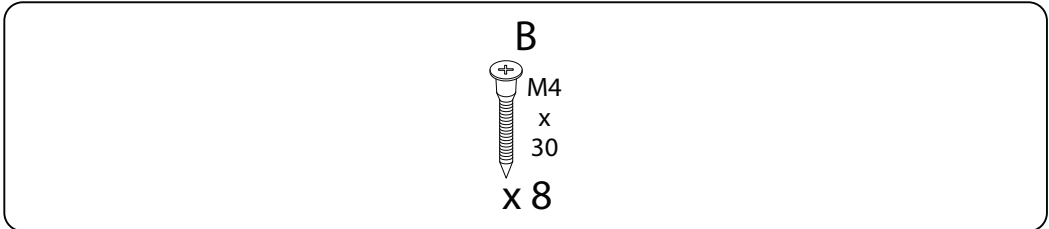
2



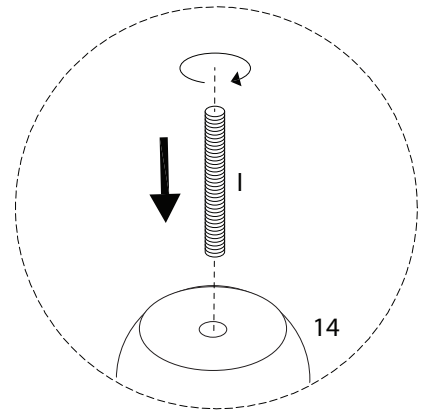
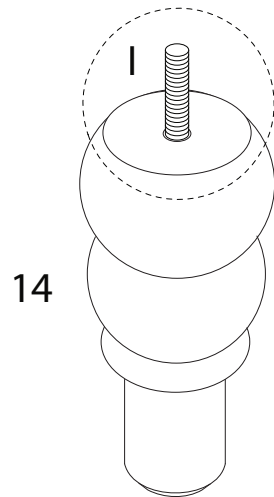
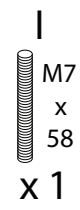
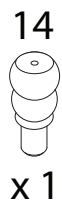
3



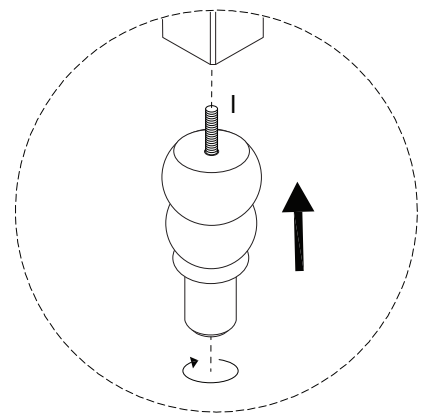
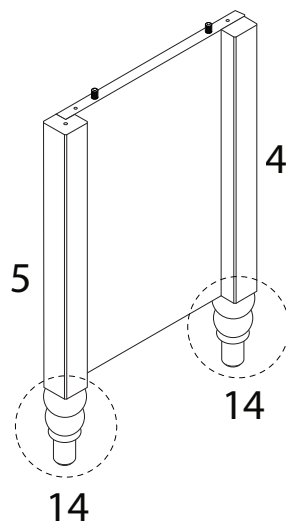
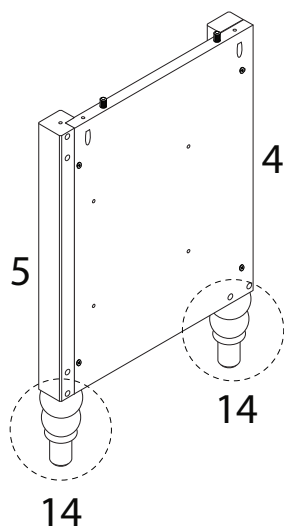
4



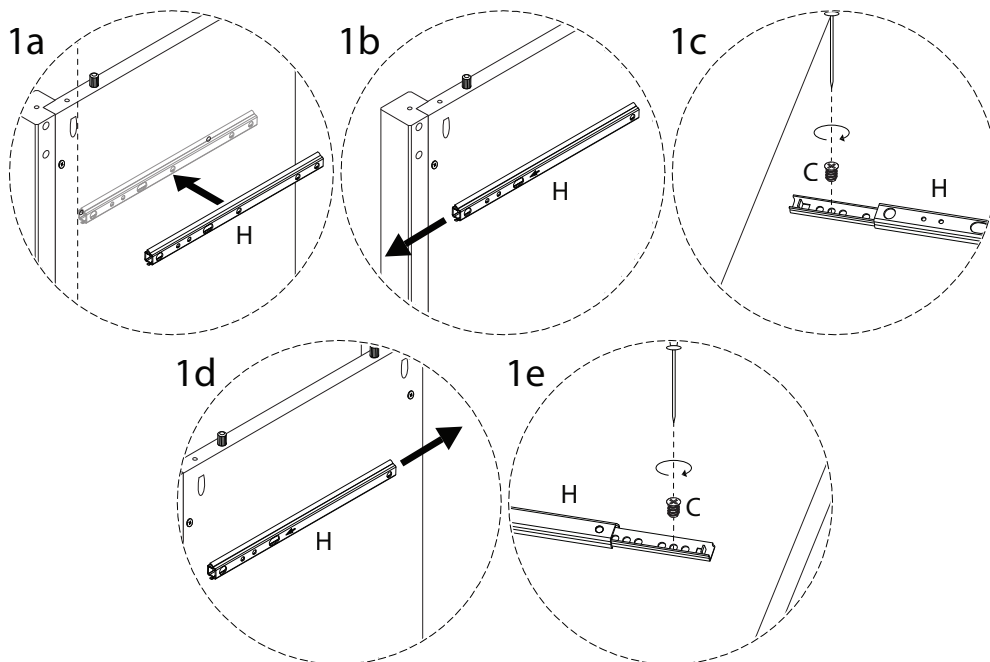
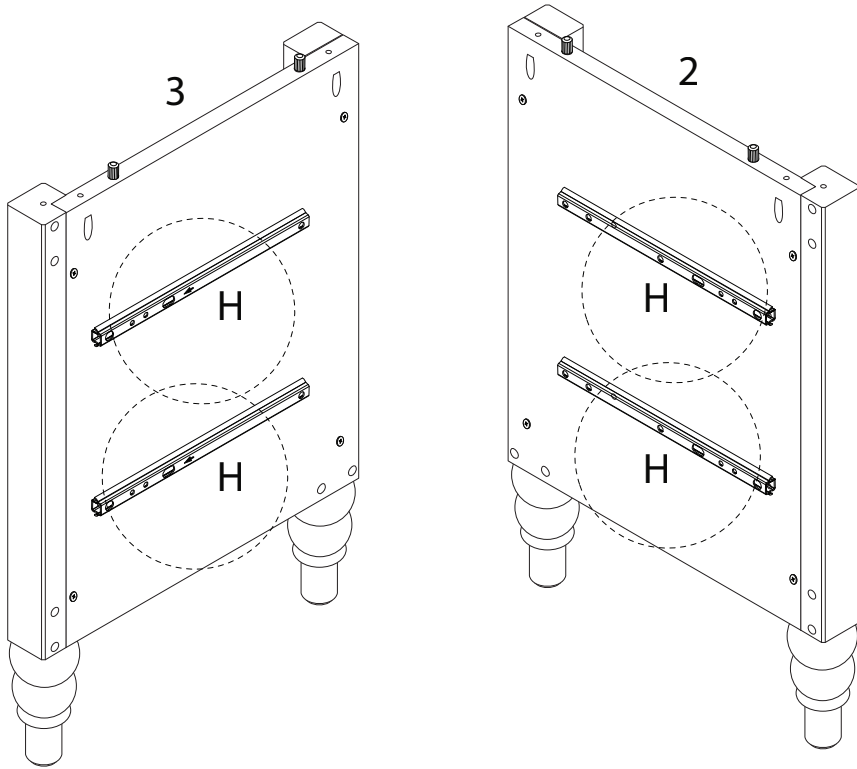
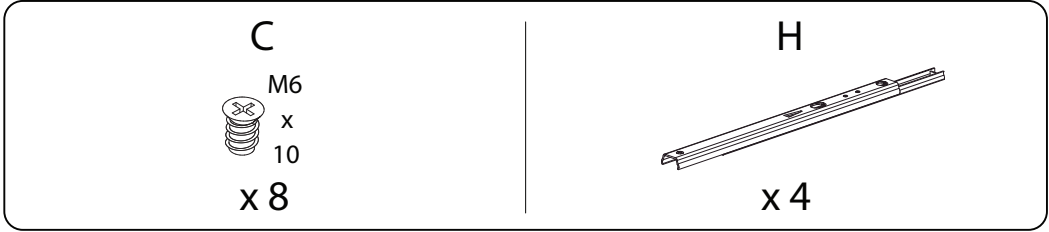
5 x 4



6

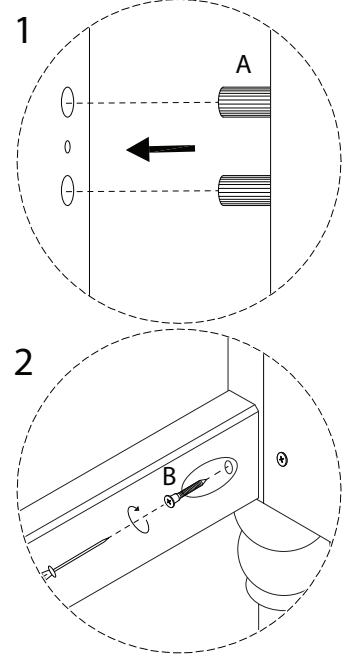
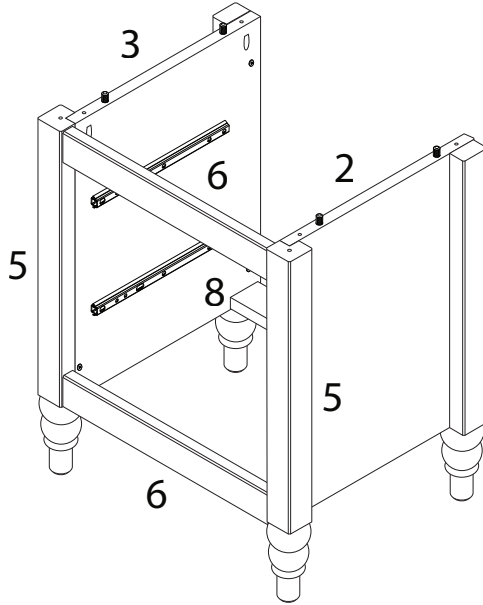


7

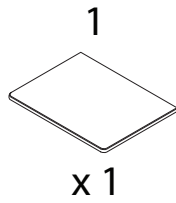


8

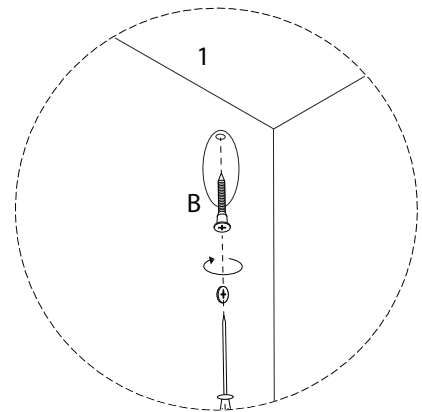
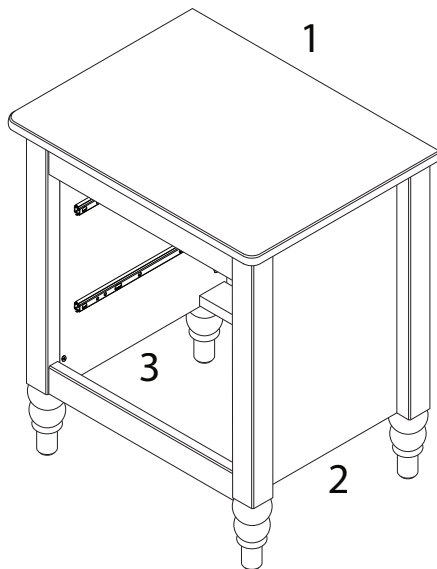
B
M4
x
30
x 6



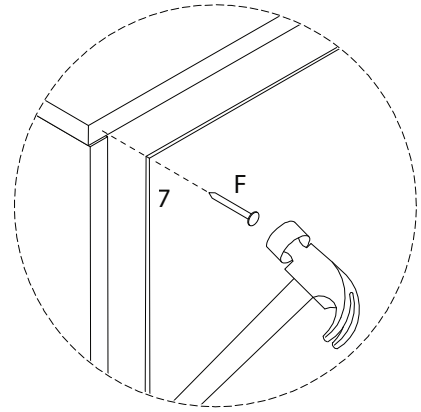
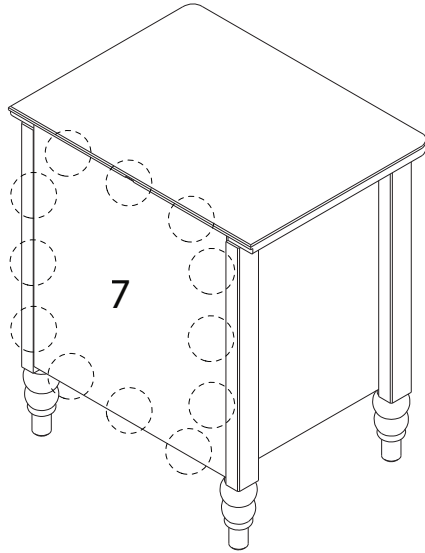
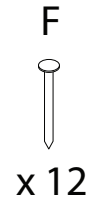
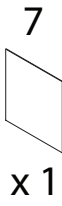
9



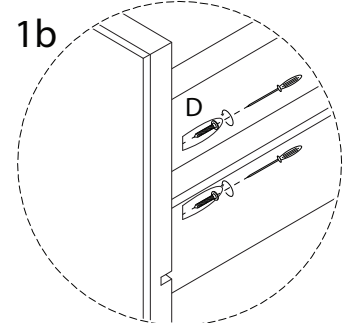
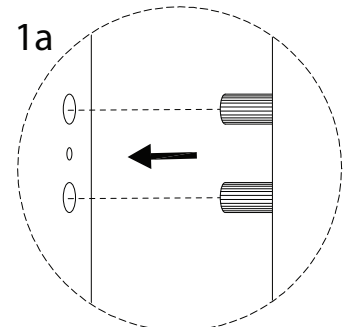
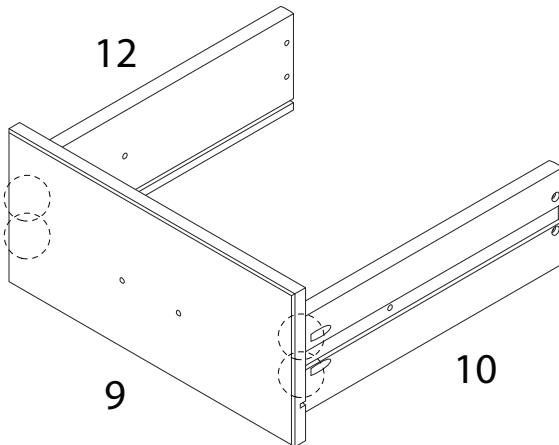
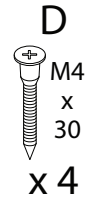
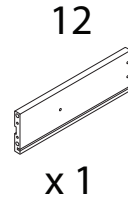
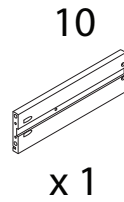
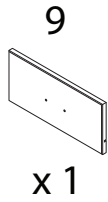
B
M4
x
30
x 4



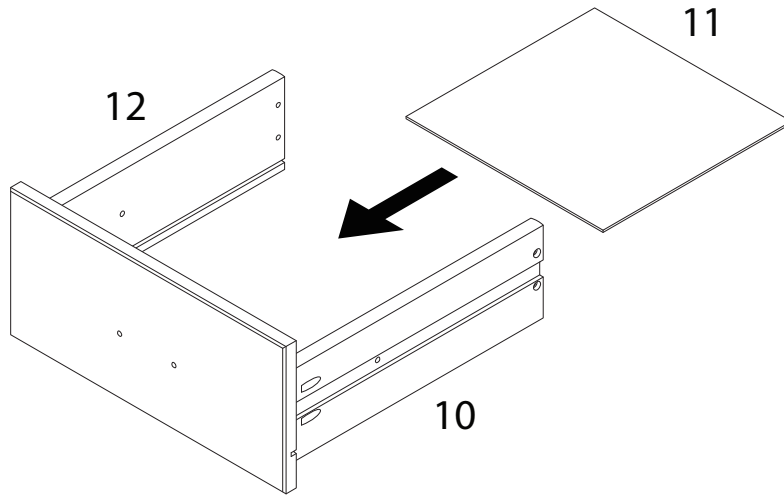
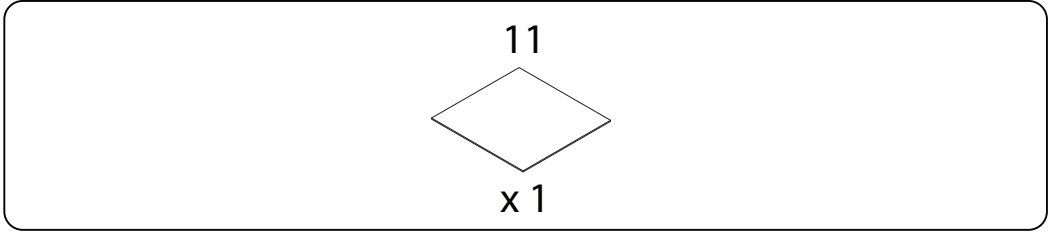
10



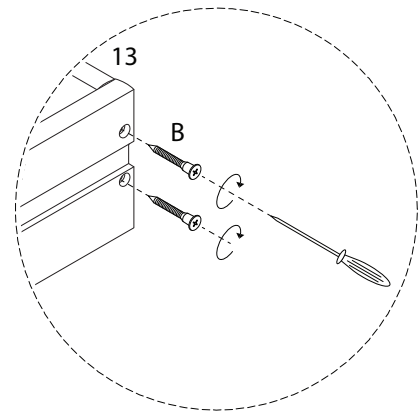
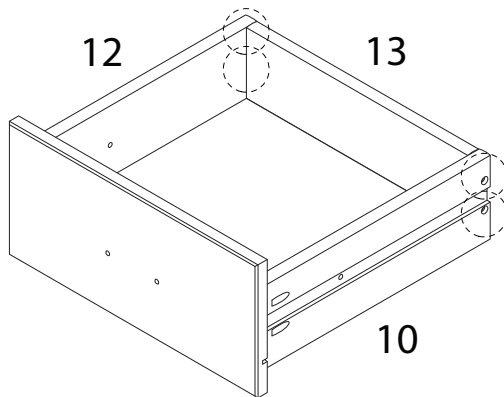
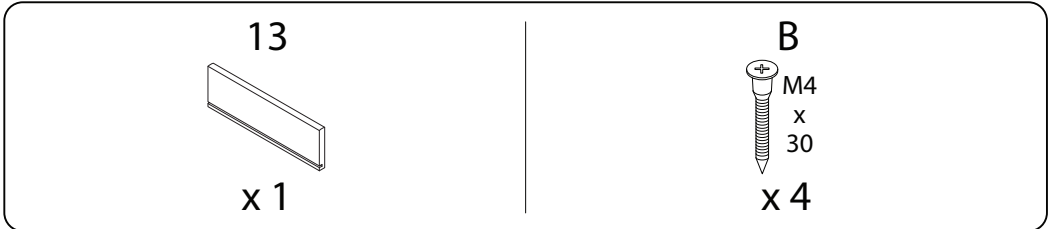
11 x 2



12 x 2

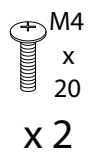


13 x 2

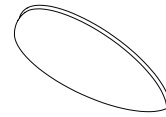


14 x 2

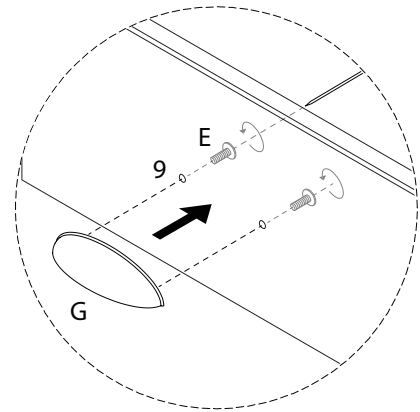
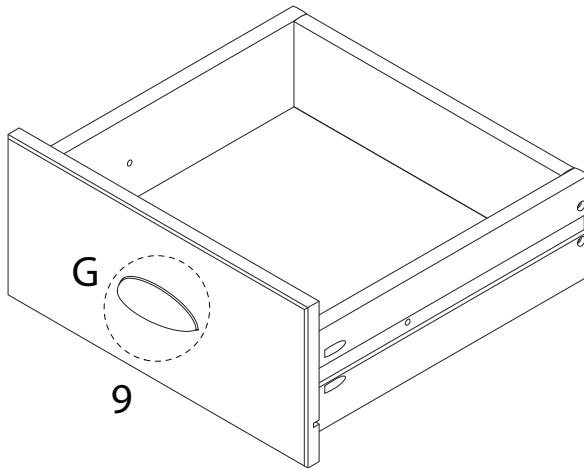
E



G



x 1



15

D

