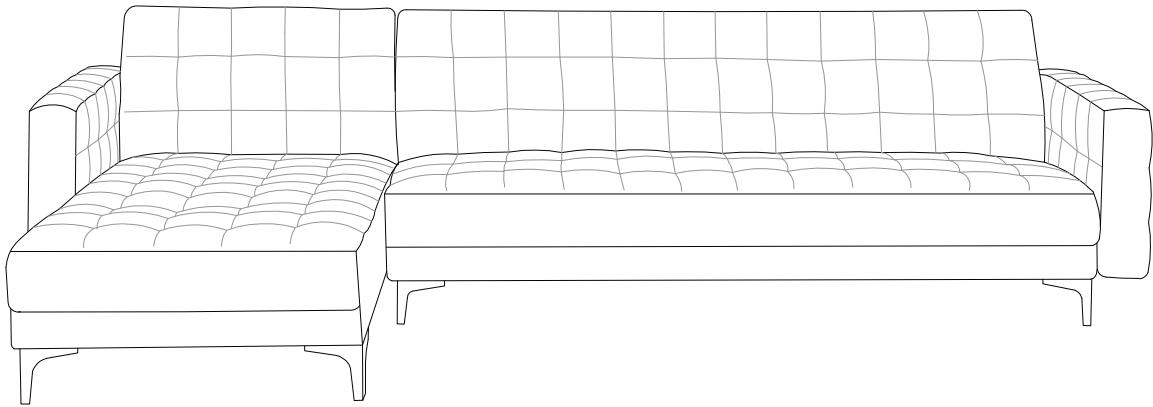
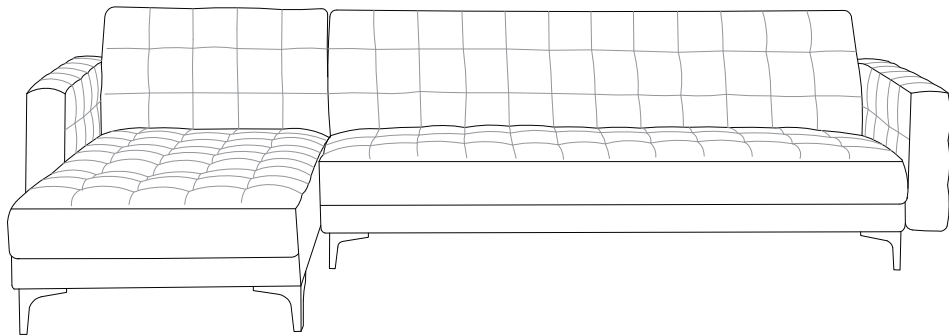



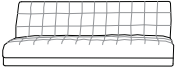


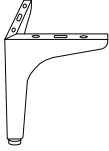
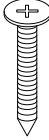
ABERDEEN

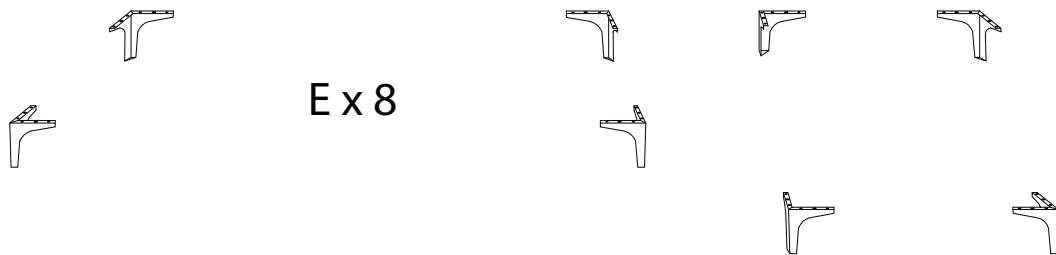
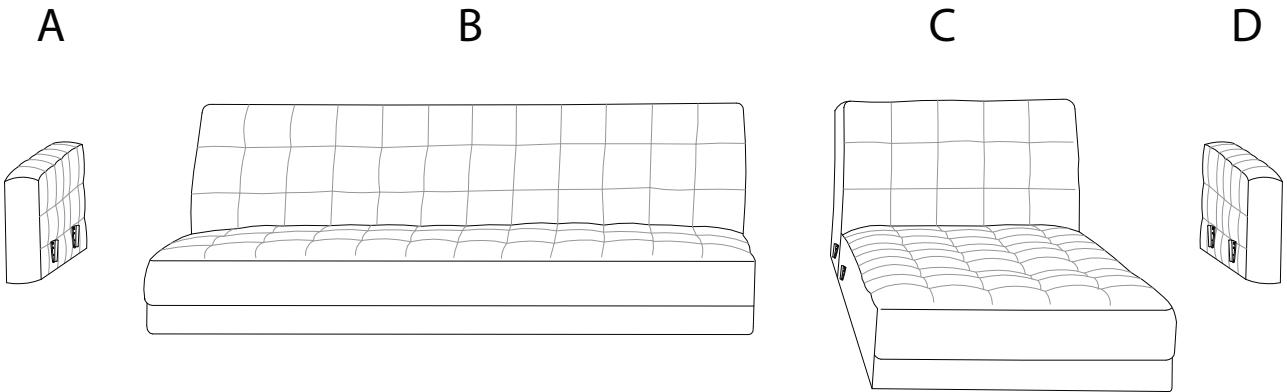


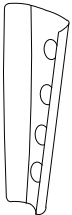
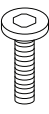

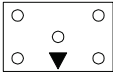
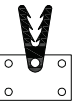


Assembly instructions for step 1/6:

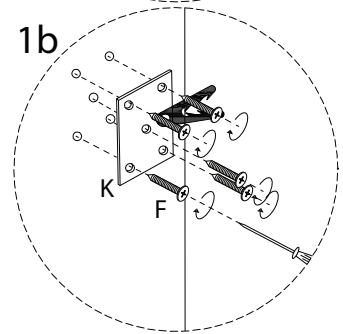
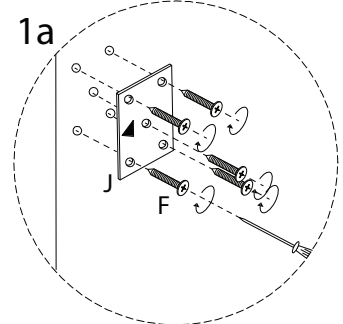
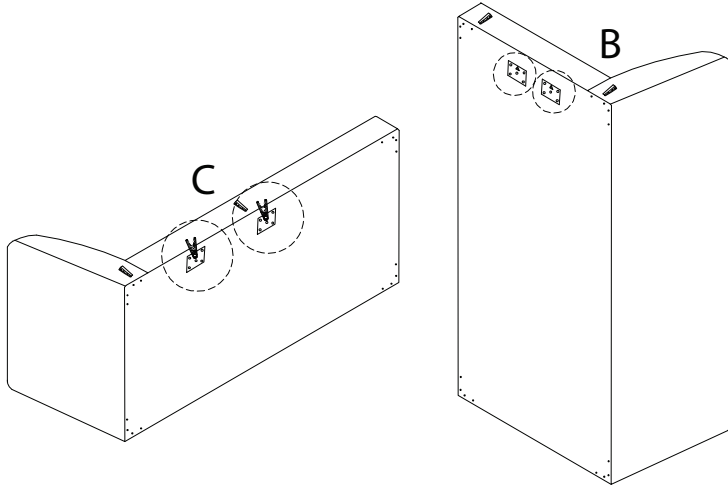
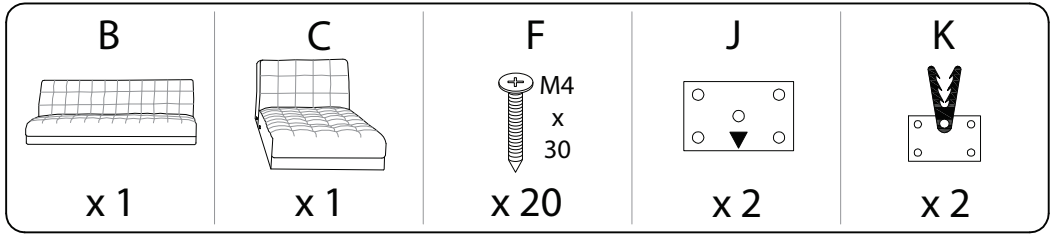
- Tools:** An icon in a circle shows an Allen key and a screwdriver. A power drill is shown with a diagonal line through it, indicating it should not be used.
- Warning:** A triangle with an exclamation mark indicates a warning.
- Time:** A clock icon with a circular arrow indicates a 30-minute duration.
- Personnel:** An icon of a person and the number '2' indicate that two people are required for assembly.
- Diagram:** An icon in a circle shows a rectangular block being placed on a textured surface. A second diagram shows the block being secured with a screw from underneath.

A	B	C	D	E	F
					
x 1	x 1	x 1	x 1	x 8	x 52

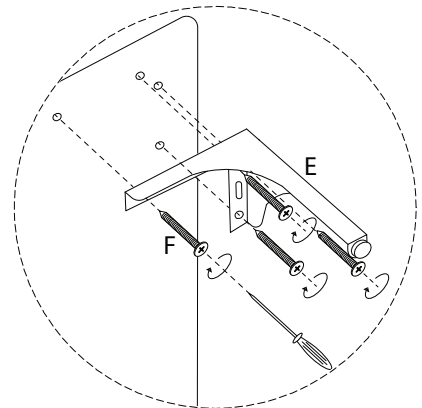
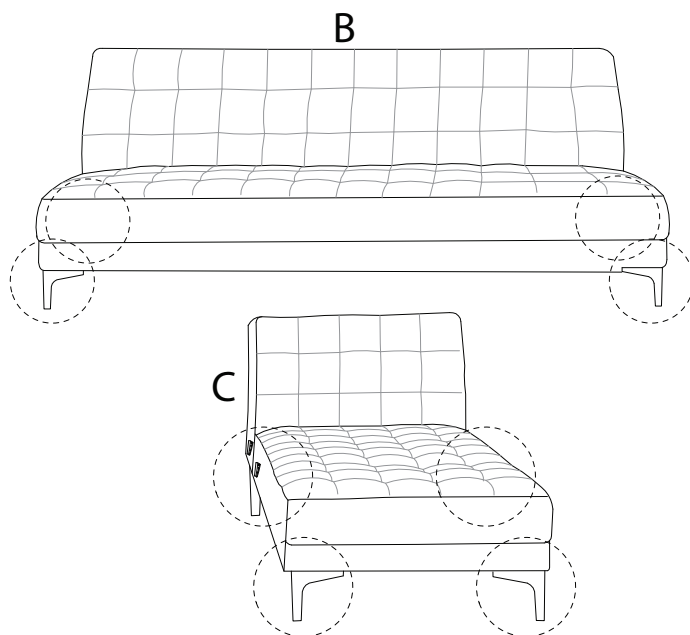
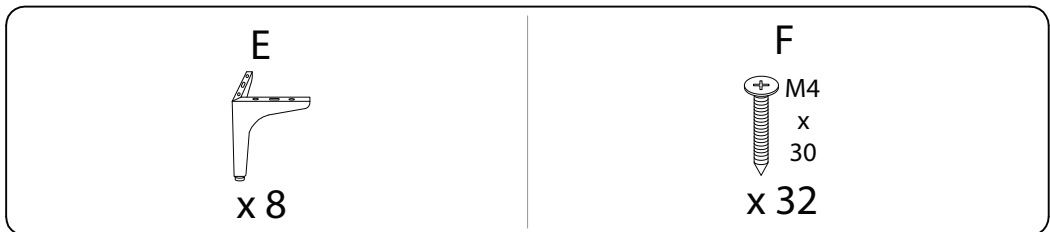


G	H	I	J	K
				
x 4	x 8	x 1	x 2	x 2

1



2



3

G



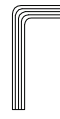
x 4

H



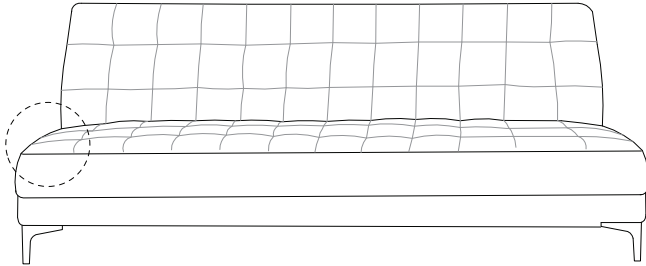
x 8

I

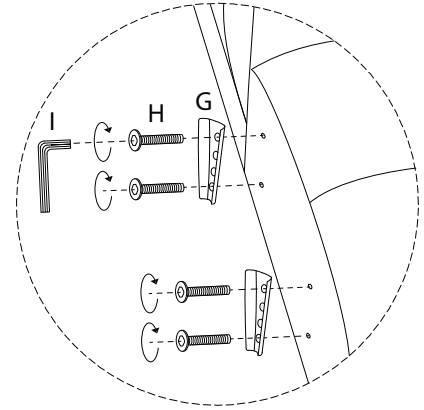
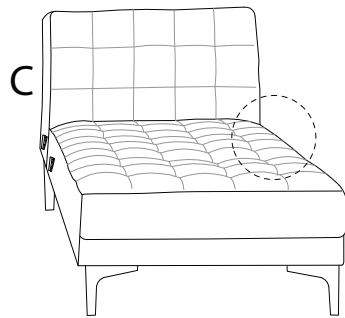


x 1

B



C



4

A



x 1

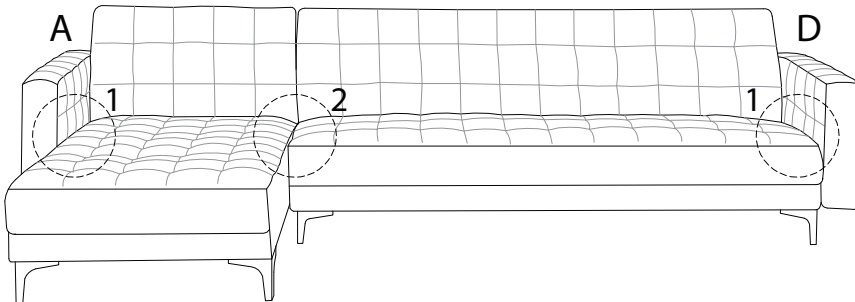
D



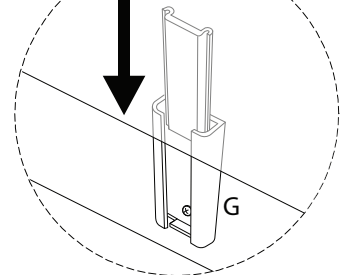
x 1

C

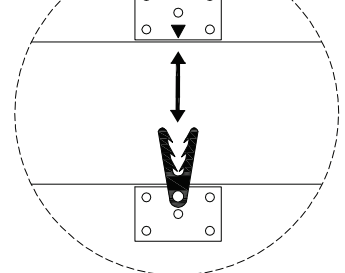
B



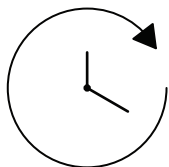
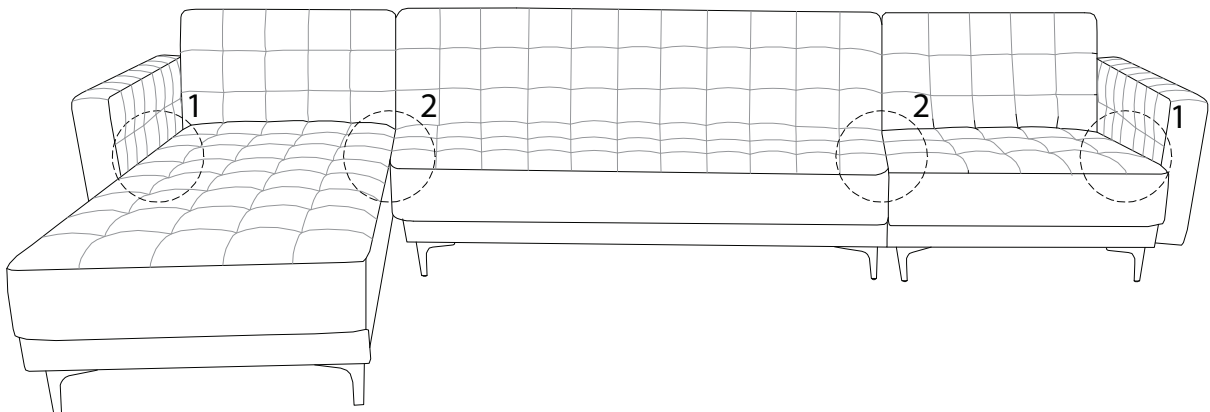
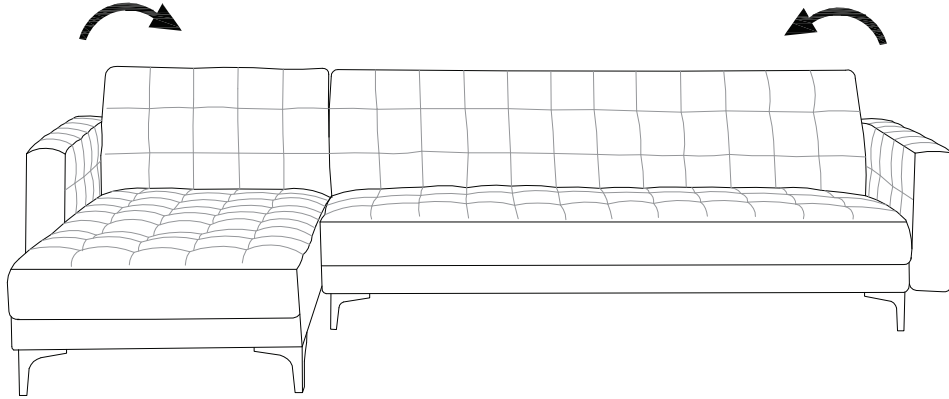
1



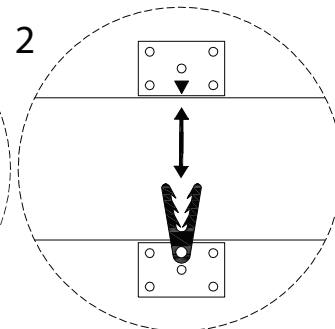
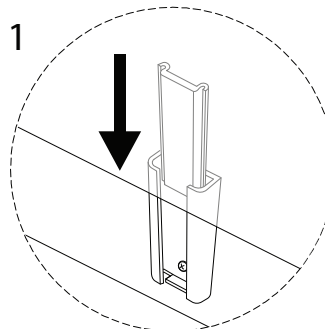
2

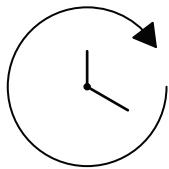
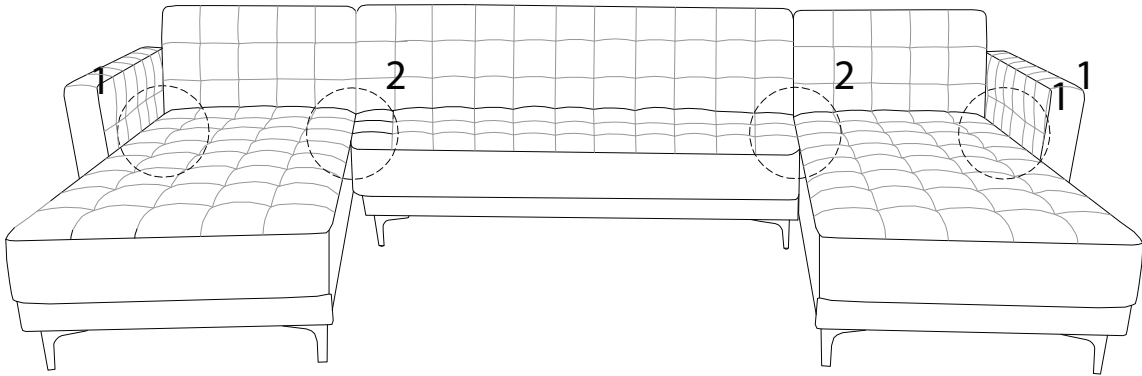


!

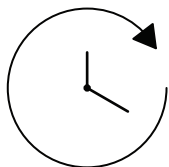
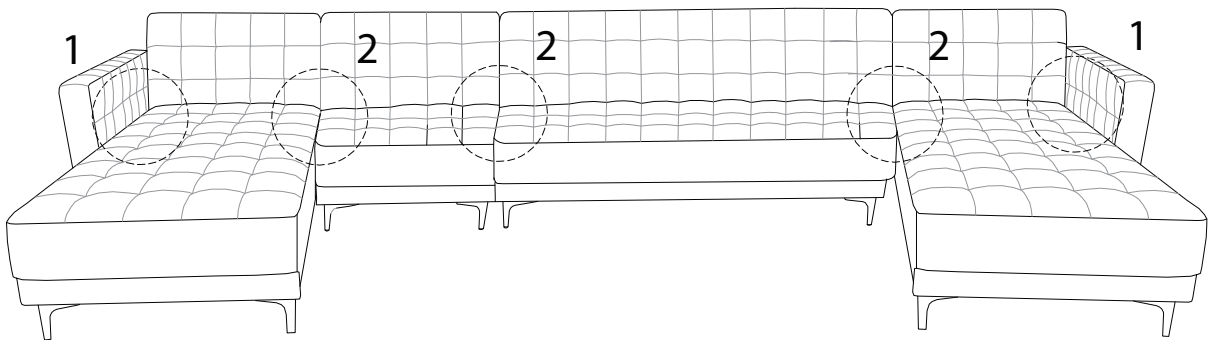
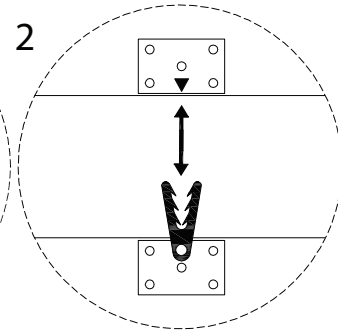
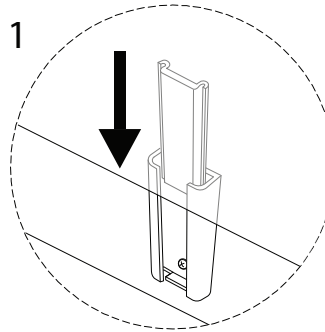


45'





45'



60'

