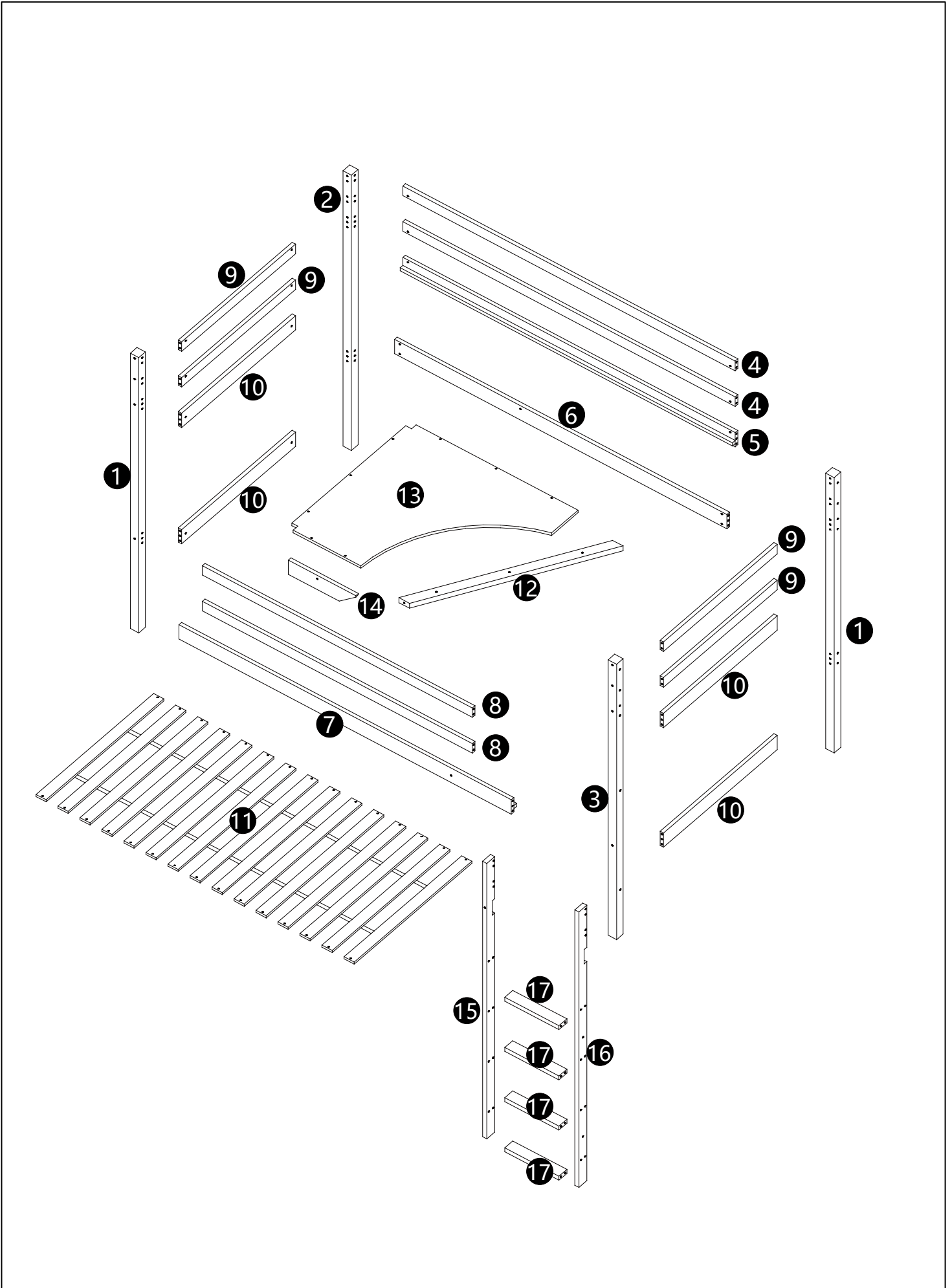
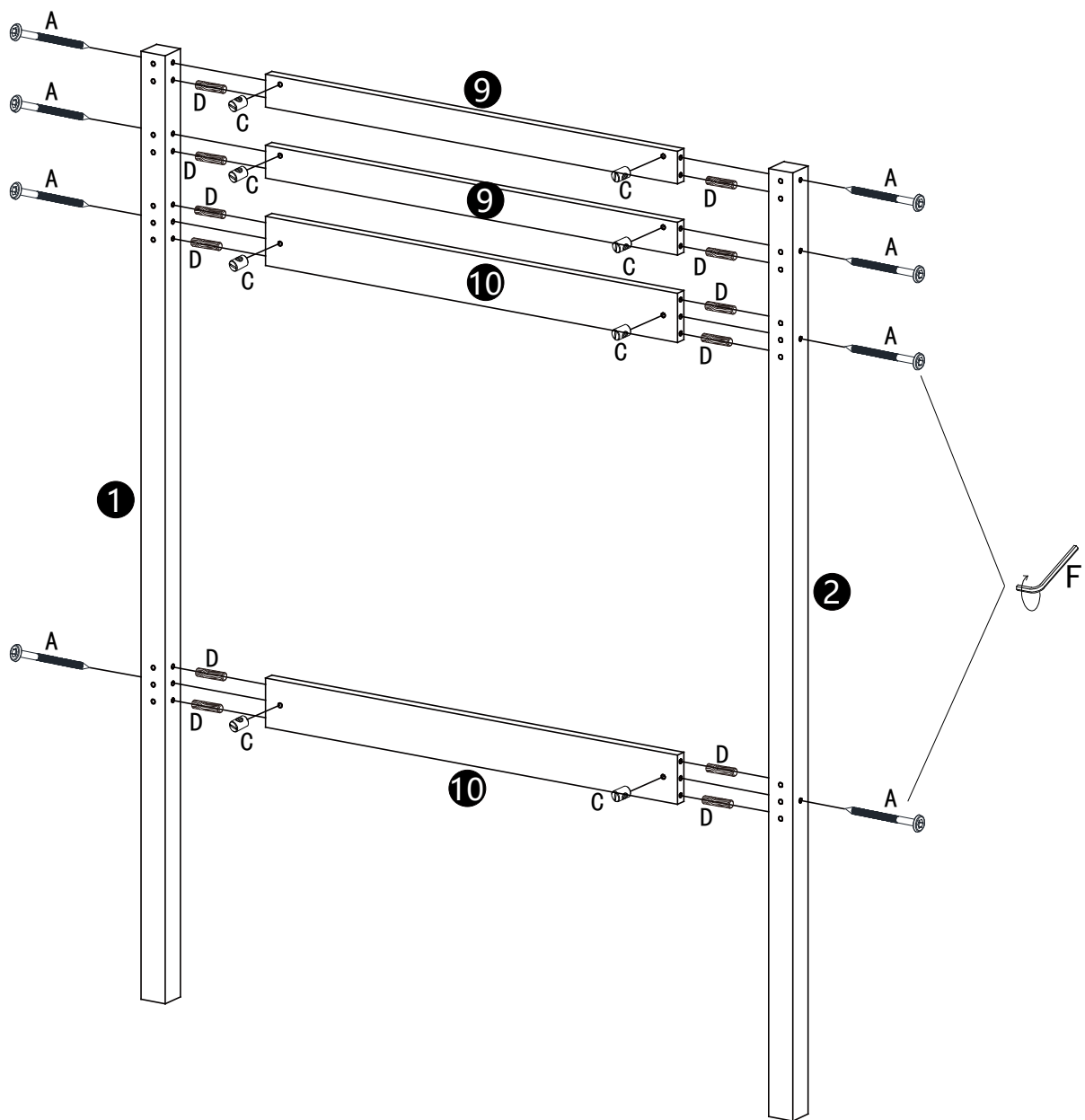



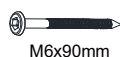

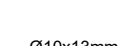

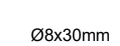

HARDWARE

A	 15mm	 M6x90mm	36	H	 15mm	 M6x70mm	6
B		 Ø7x50mm	16	J	 15mm	 M6x50mm	1
C	 Ø10x13mm	38	K	 15mm	 M6x20mm	5	
D	 Ø8x30mm	41	L		62		
E	 8mm	 Ø4x30mm	41	M		4	
F	 M4	2	N	 15mm	 M6x50mm	2	
G		1					

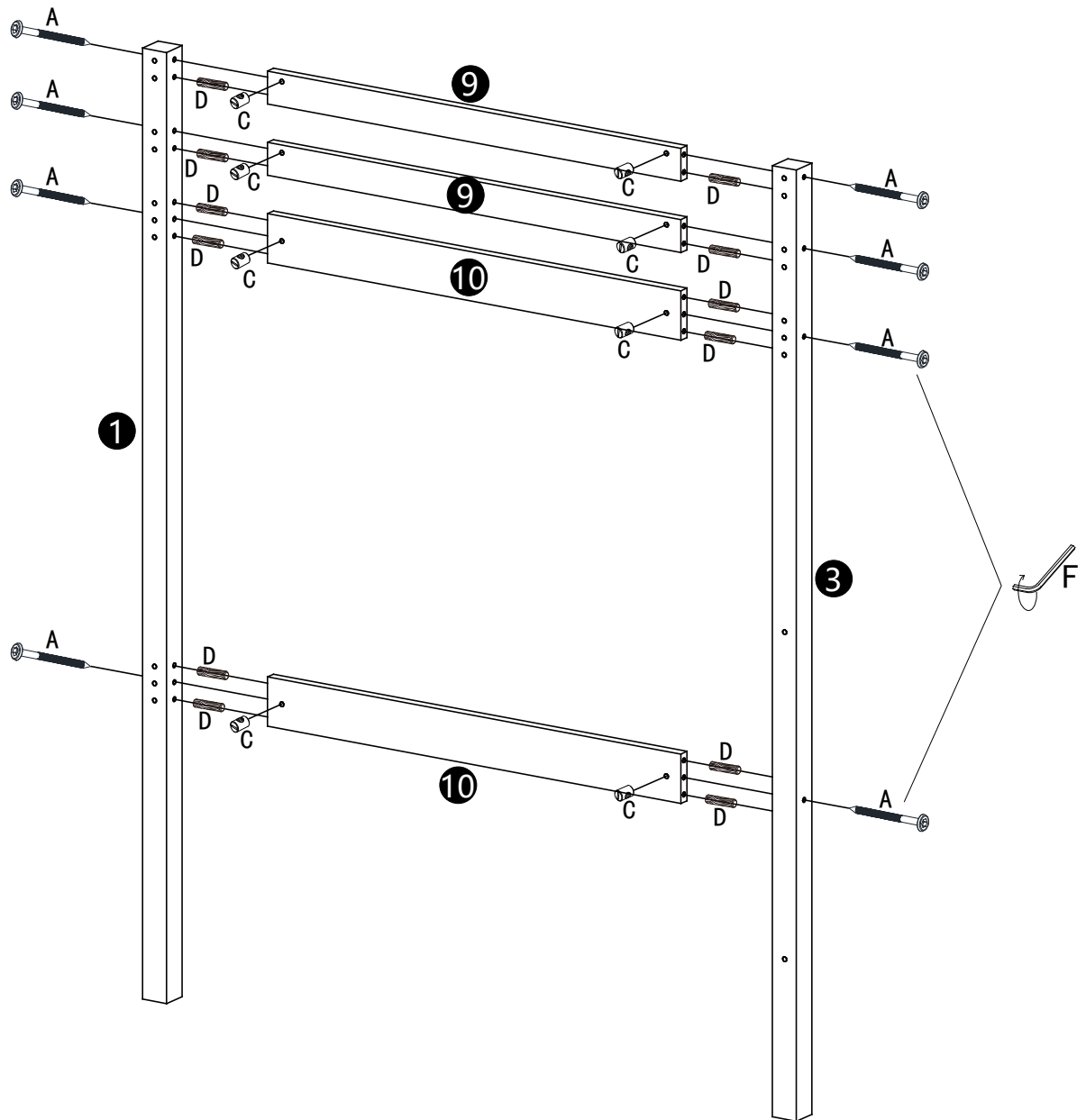







01



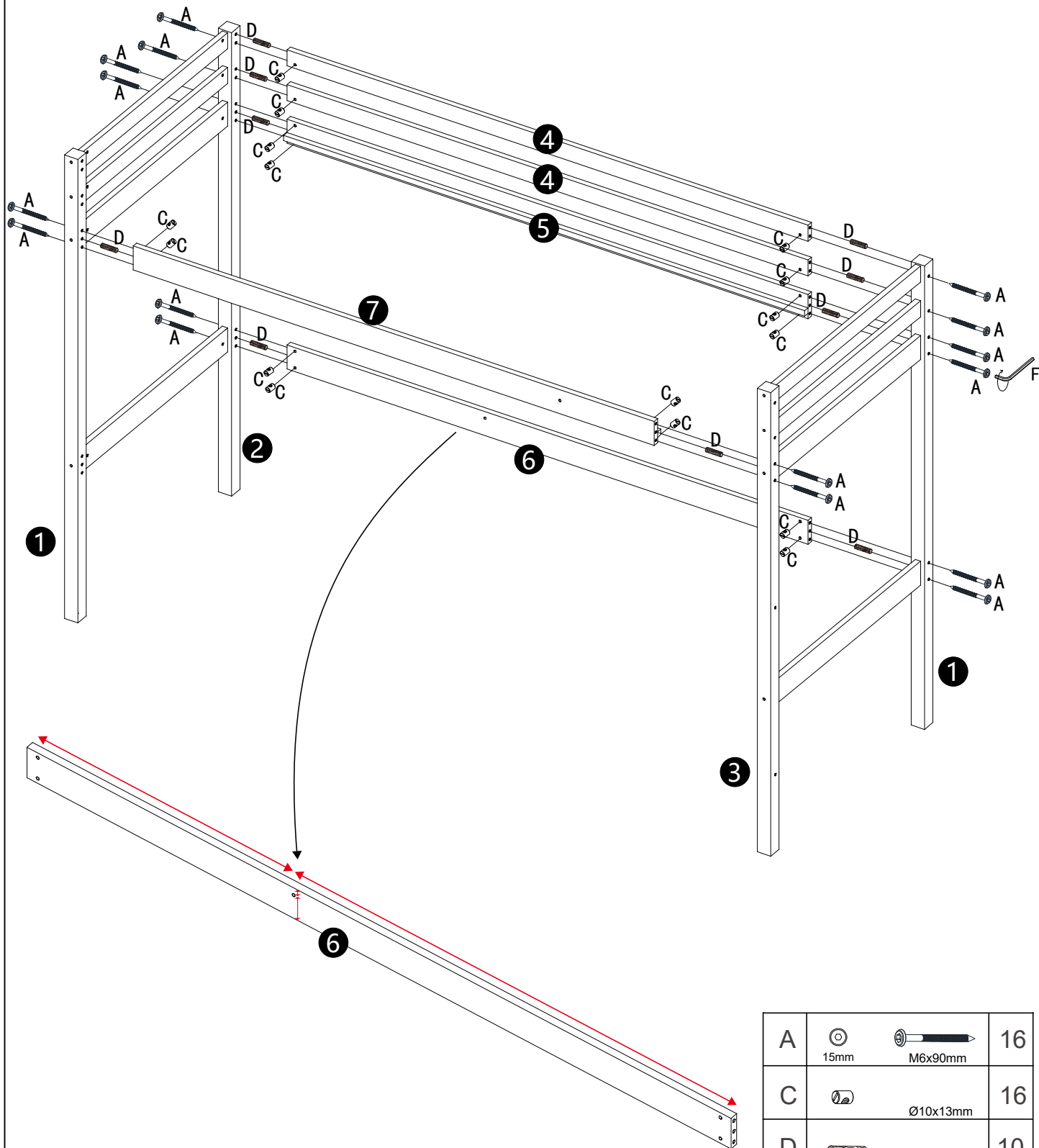
A	 15mm	 M6x90mm	8
C		 Ø10x13mm	8
D		 Ø8x30mm	12
F		M4	1






02



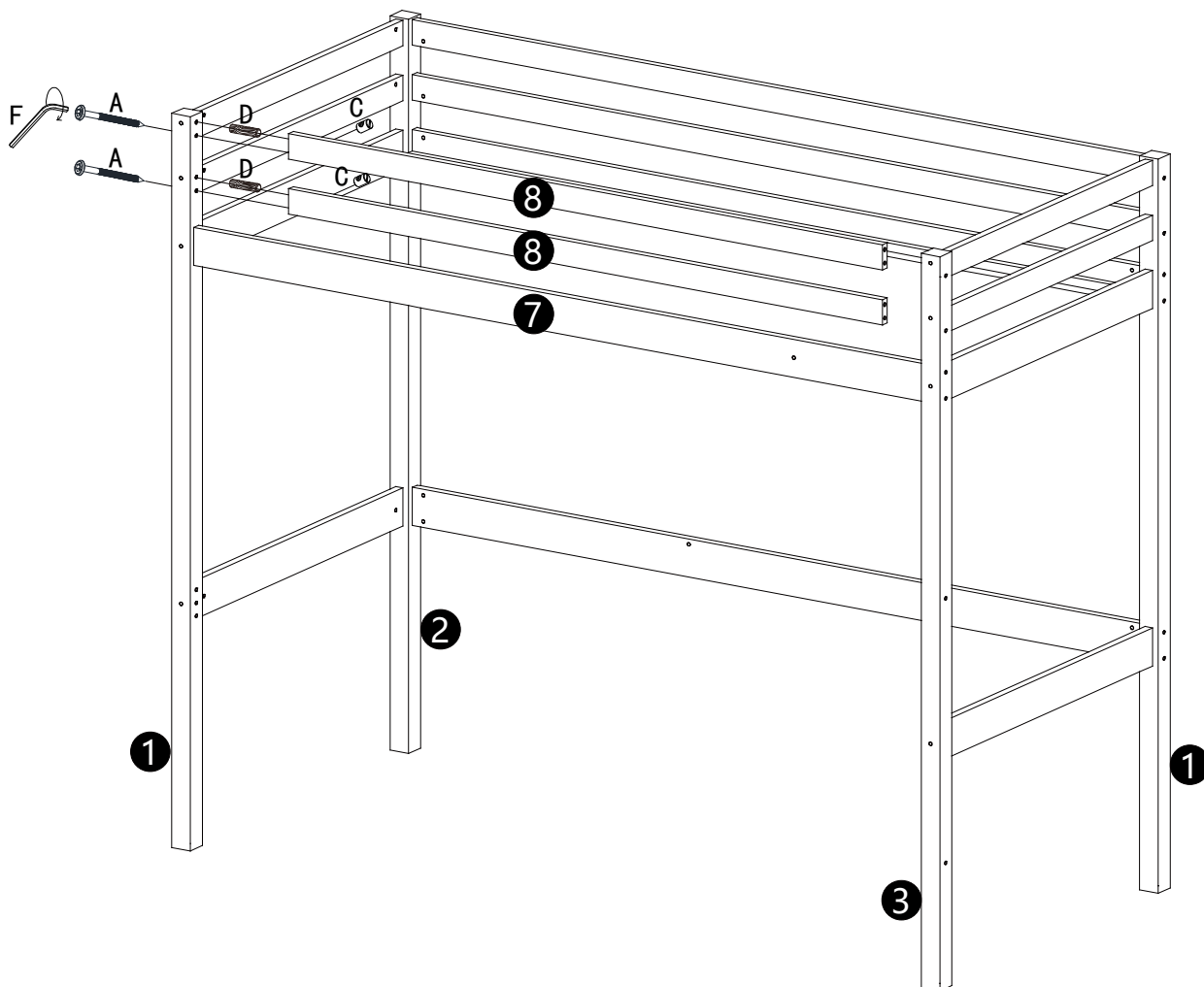
A	 15mm	 M6x90mm	8
C		$\varnothing 10 \times 13 \text{mm}$	8
D		$\varnothing 8 \times 30 \text{mm}$	12
F		M4	1






03



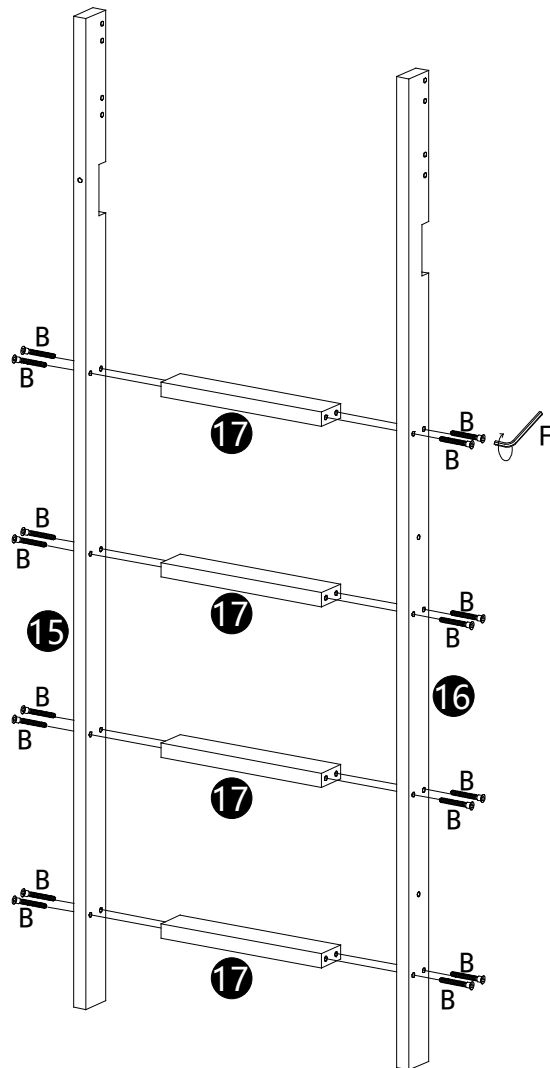
A	 15mm	 M6x90mm	16
C		$\varnothing 10 \times 13 \text{mm}$	16
D		$\varnothing 8 \times 30 \text{mm}$	10
F		M4	1



04



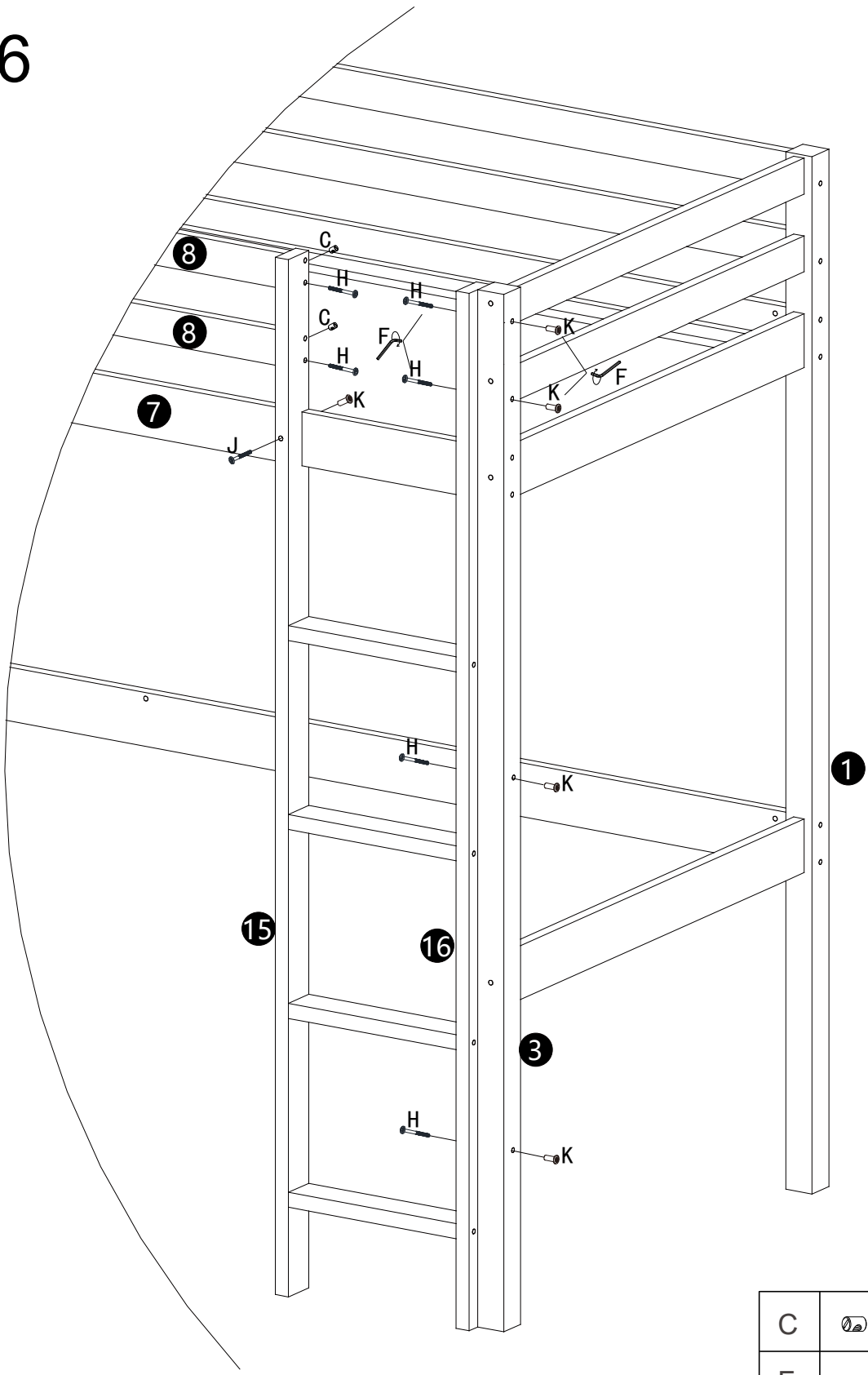
A	 15mm	 M6x90mm	2
C		Ø10x13mm	2
D		Ø8x30mm	2
F		M4	1






05



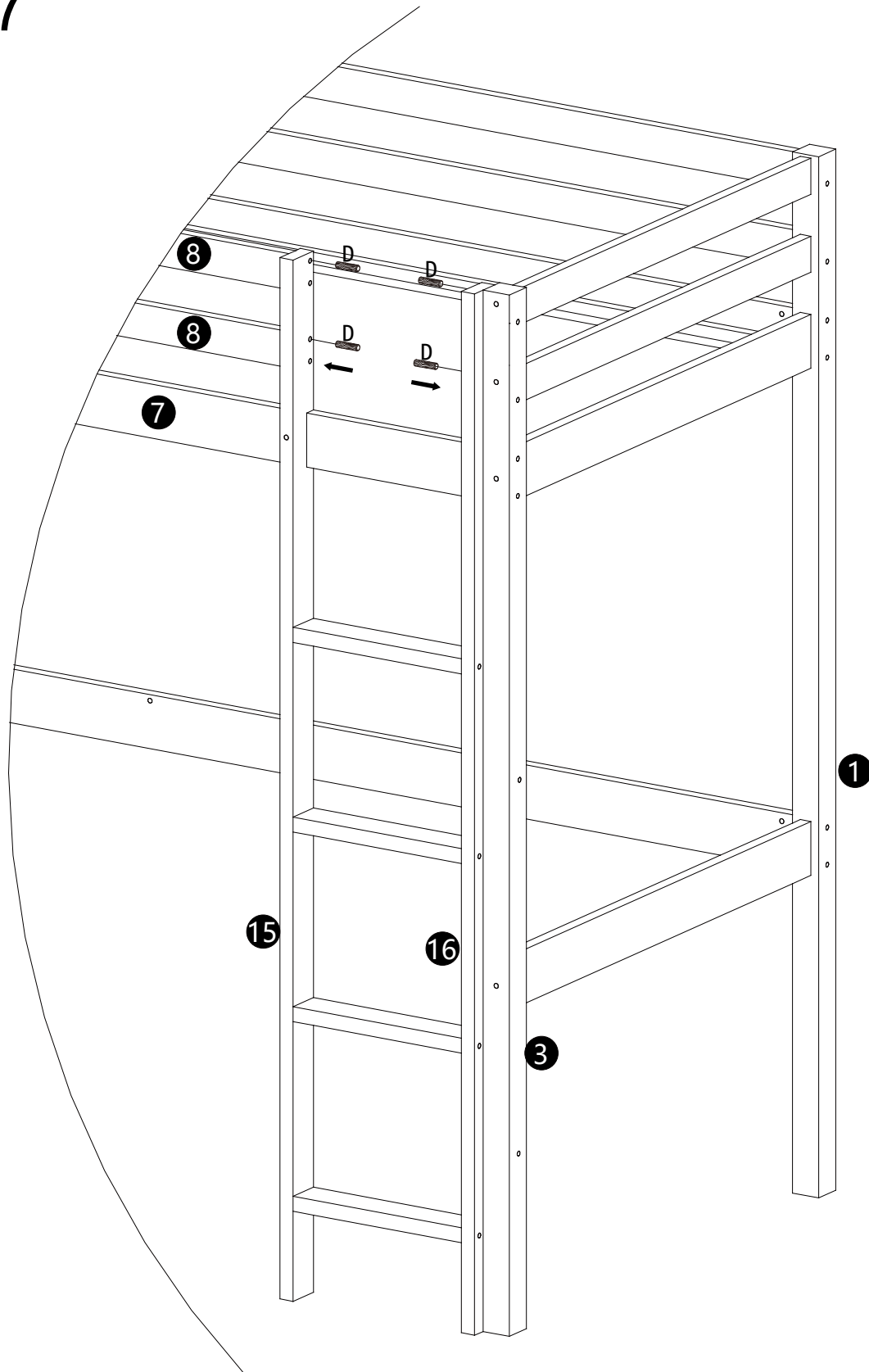
B	 Ø7x50mm	16
F	 M4	1


06



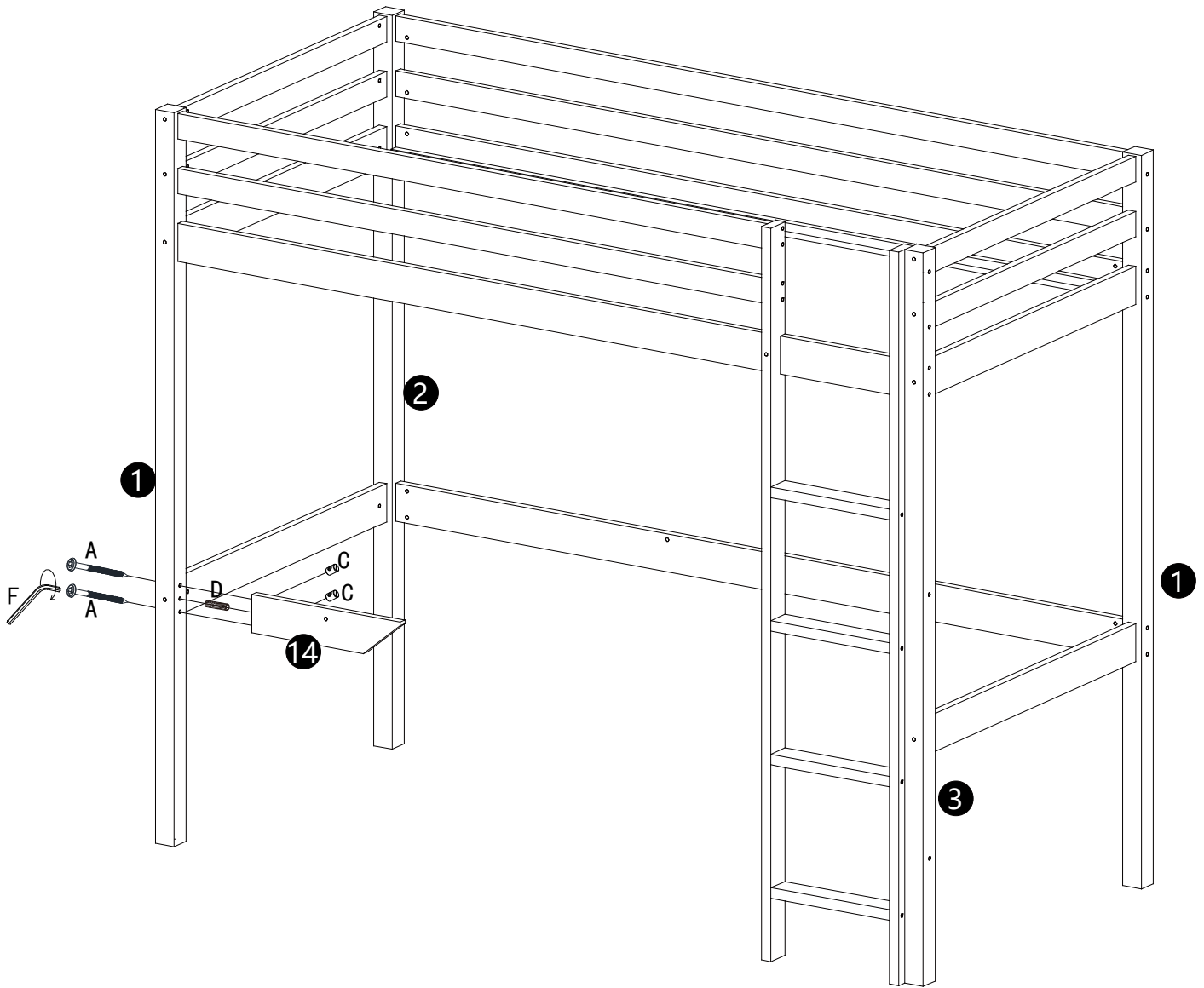
C		Ø10x13mm	2
F		M4	2
H		15mm M6x70mm	6
J		15mm M6x50mm	1
K		15mm M6x20mm	5

07



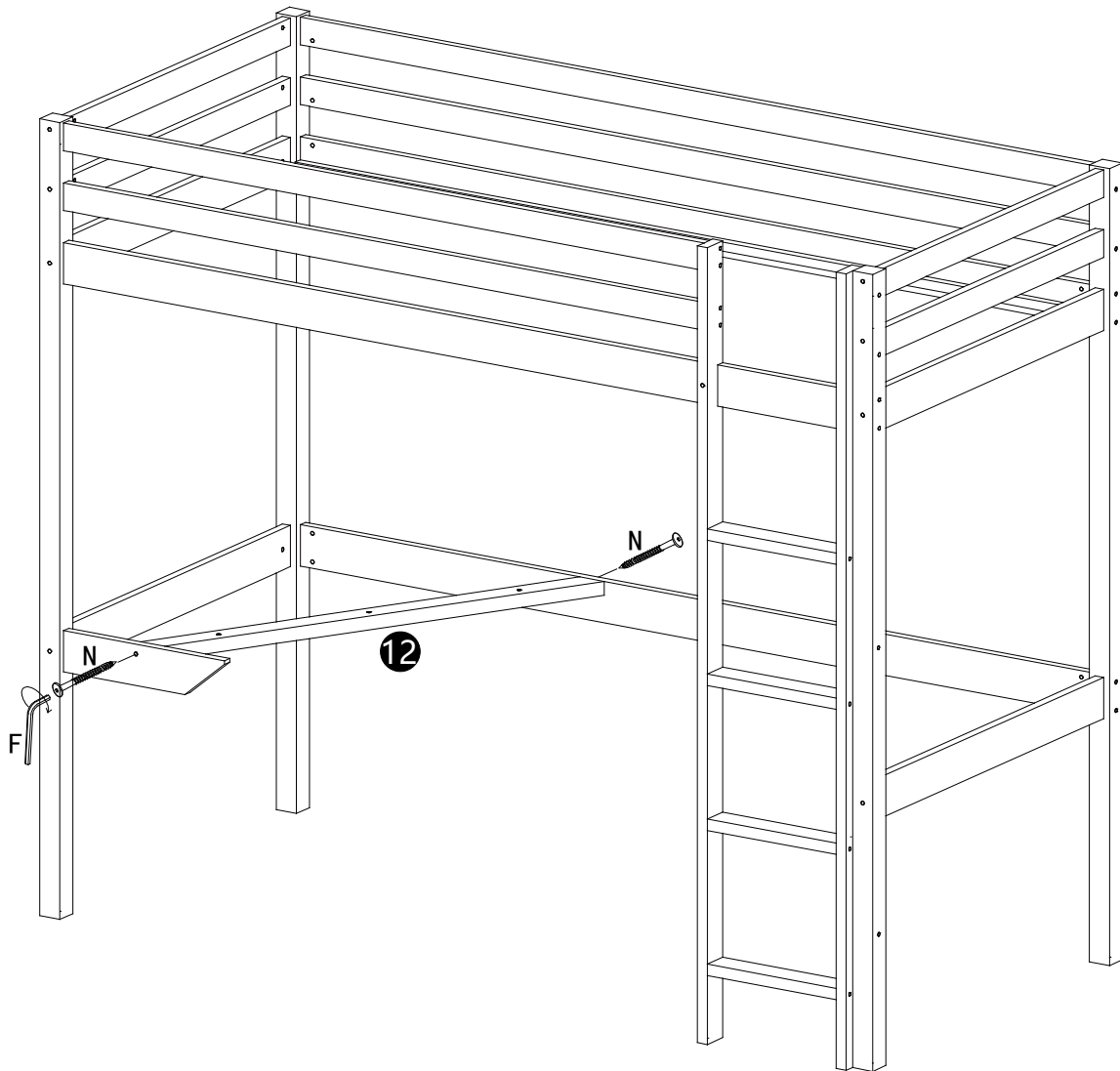
D		Ø8x30mm	4
---	---	---------	---



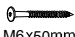
08



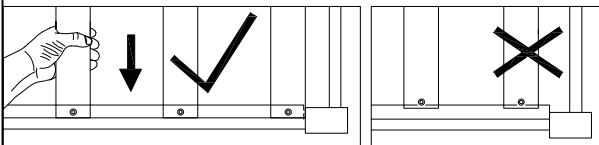
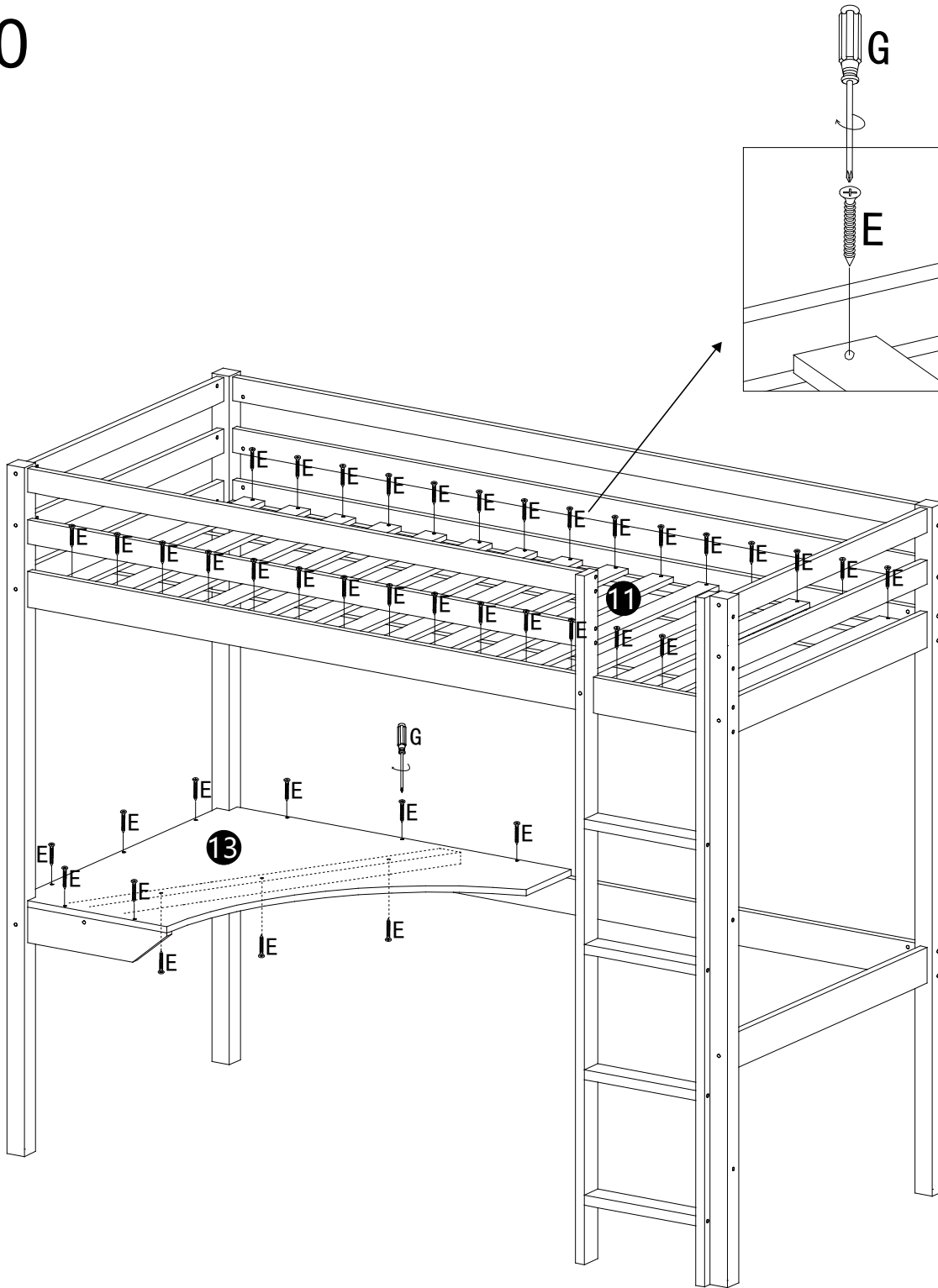
A	15mm	M6x90mm	2
C		Ø10x13mm	2
D		Ø8x30mm	1
F		M4	1




09



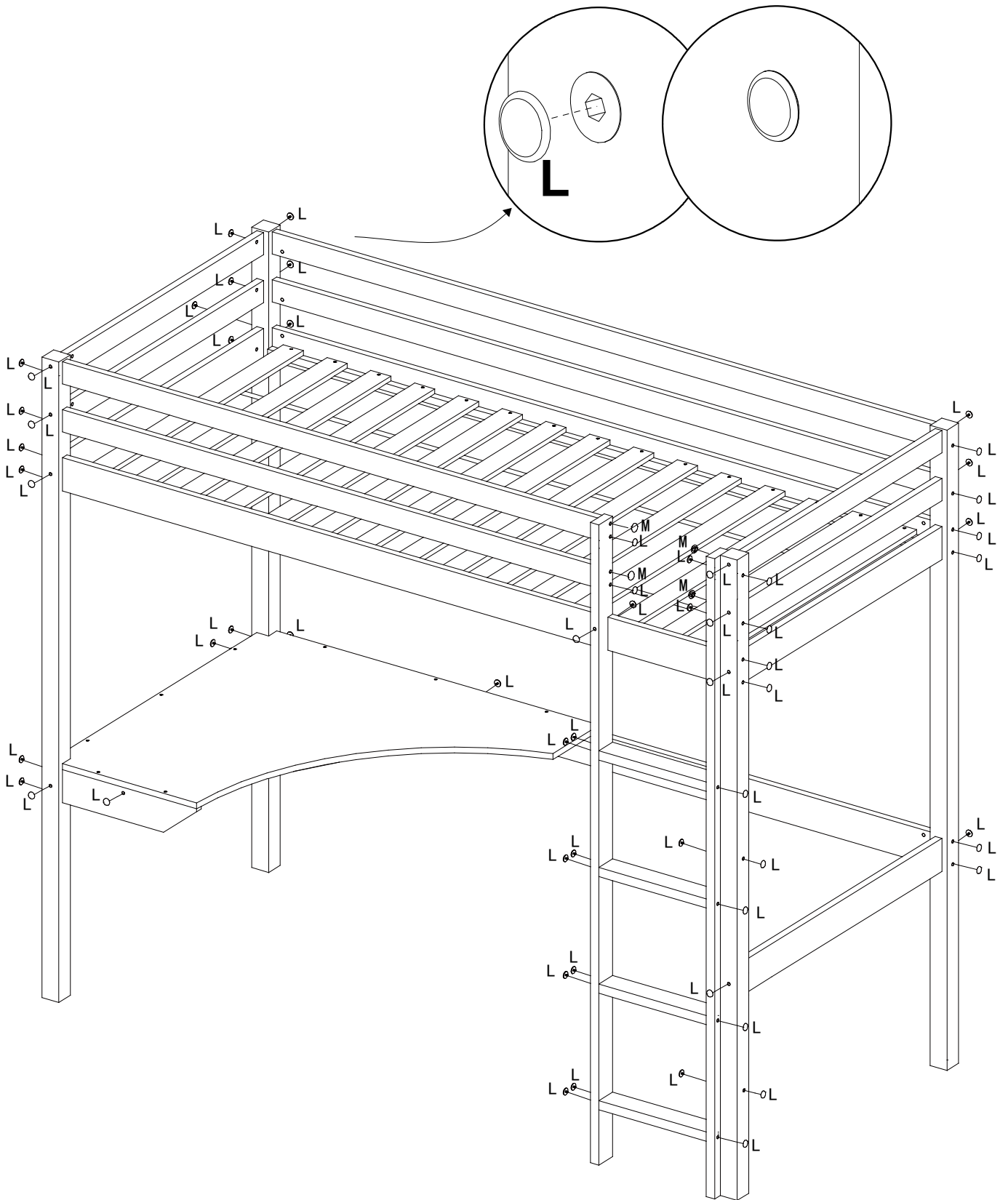
F		M4	1
N		 M6x50mm	2



10



E	 8mm	 Ø4x30mm	41
G			1

11



L		62
M		4

