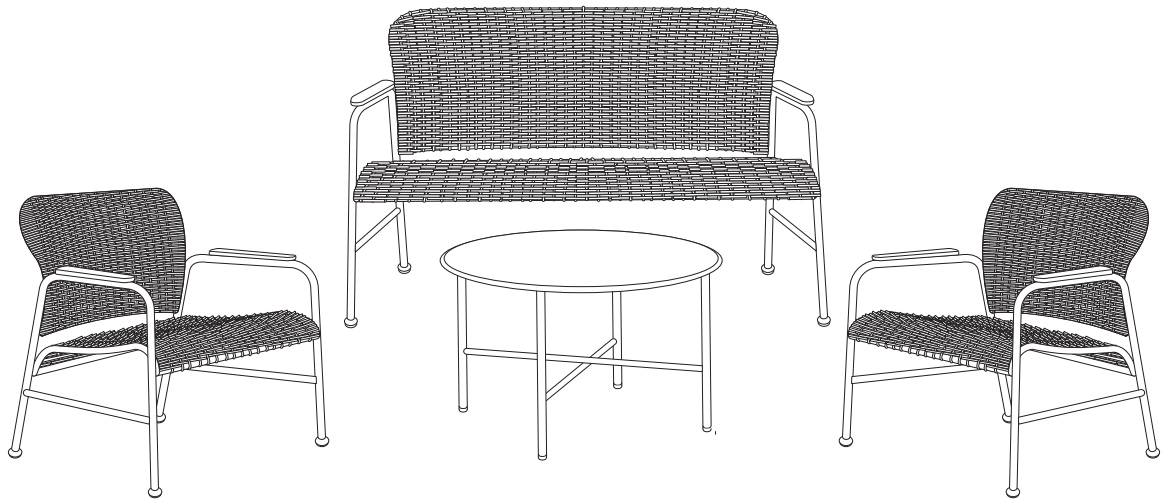
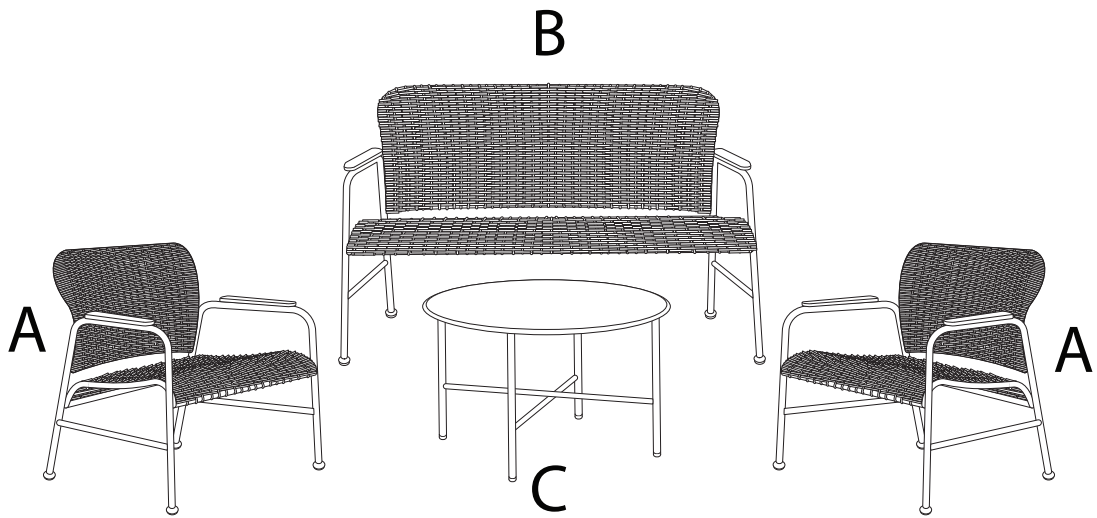


OFANTO

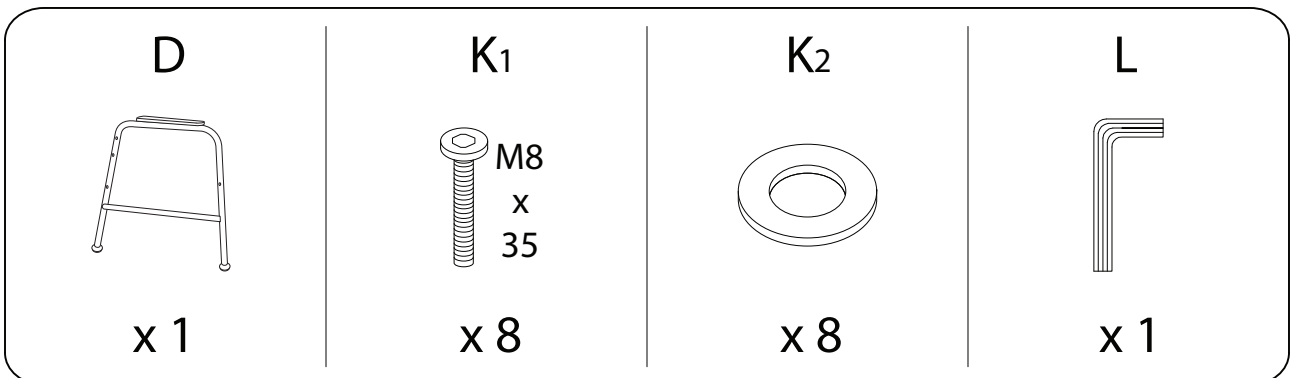
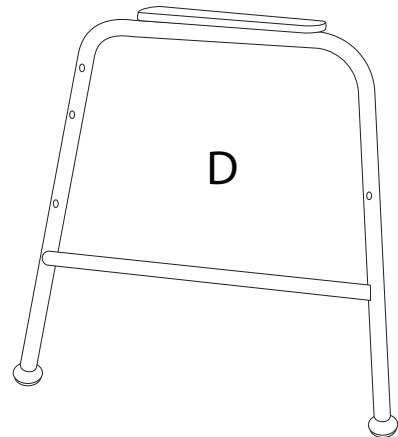
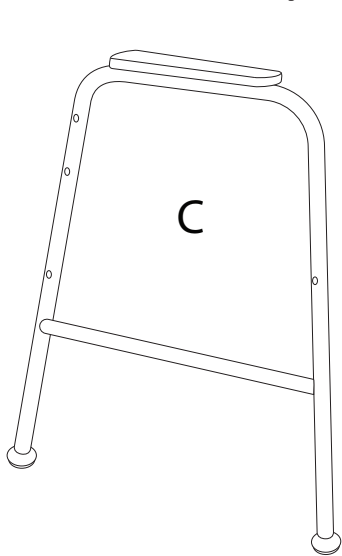
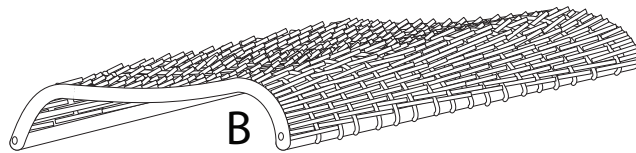
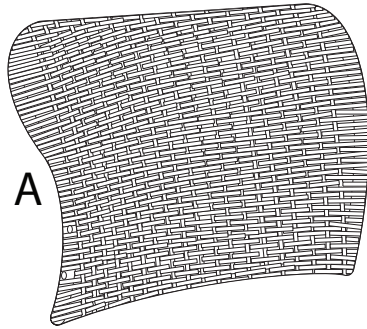
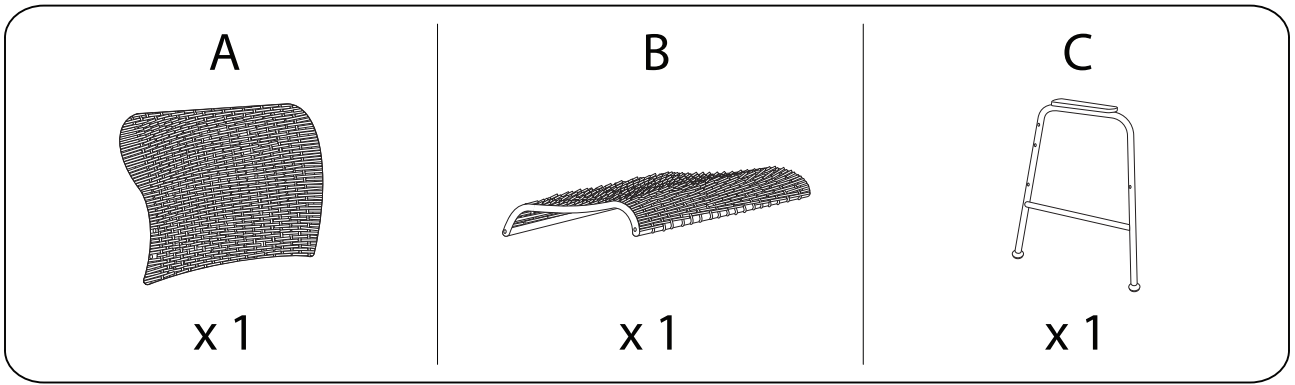




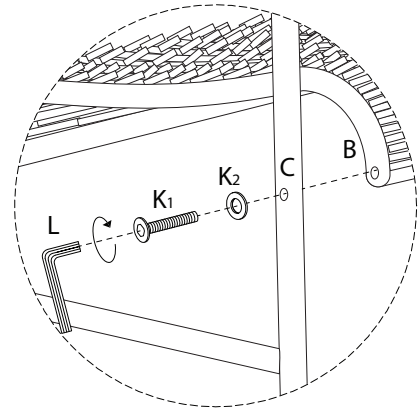
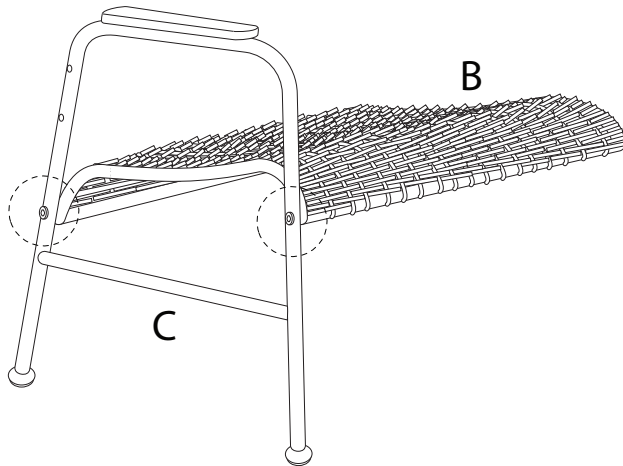
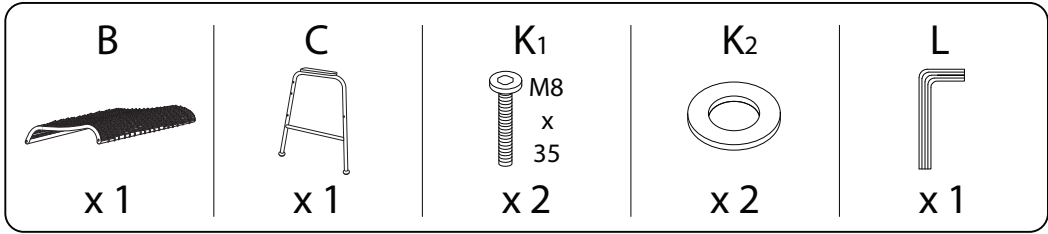
45'

2

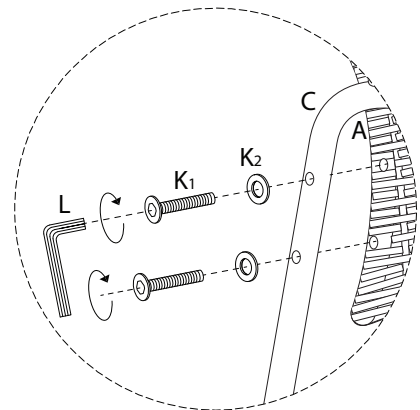
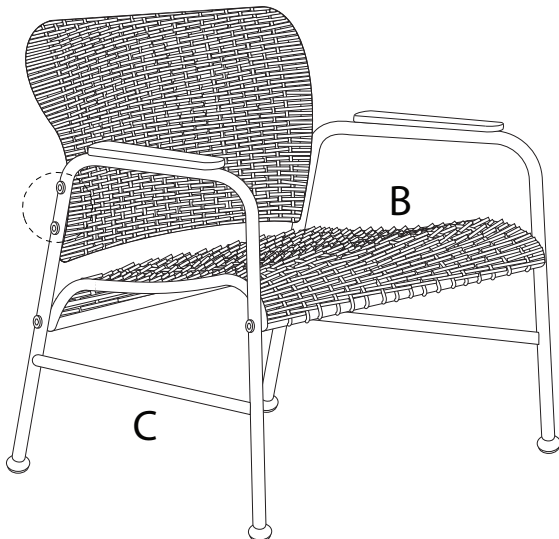
A x 2




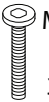
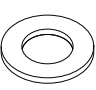
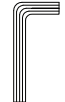
1 x 2

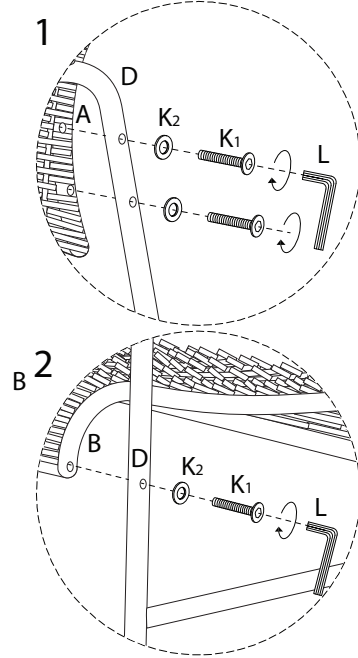
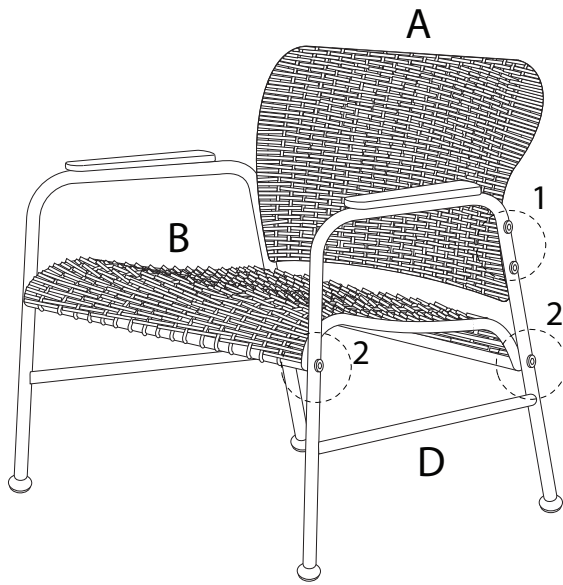


2 x 2

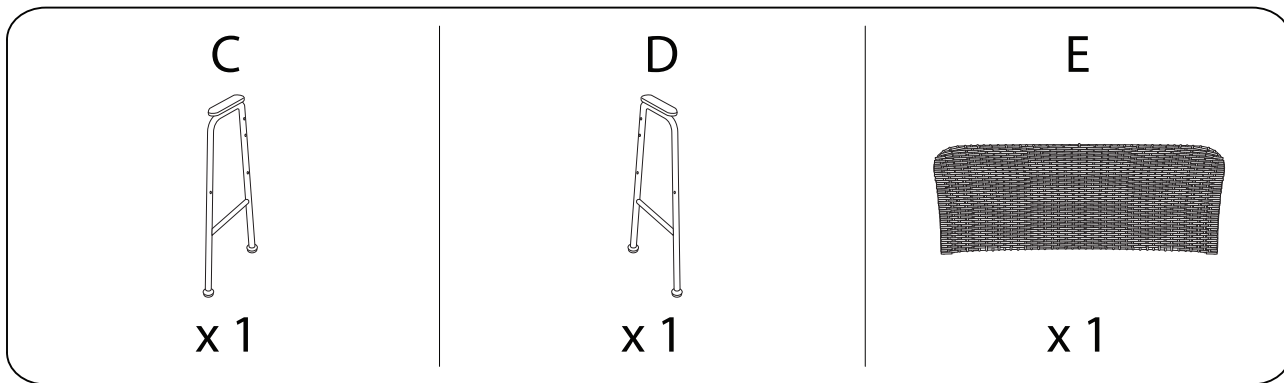


3 x 2

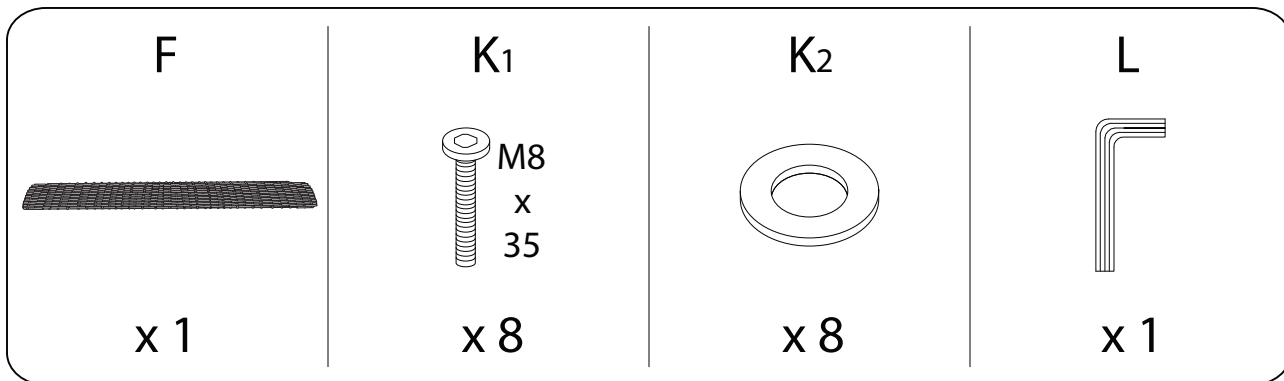
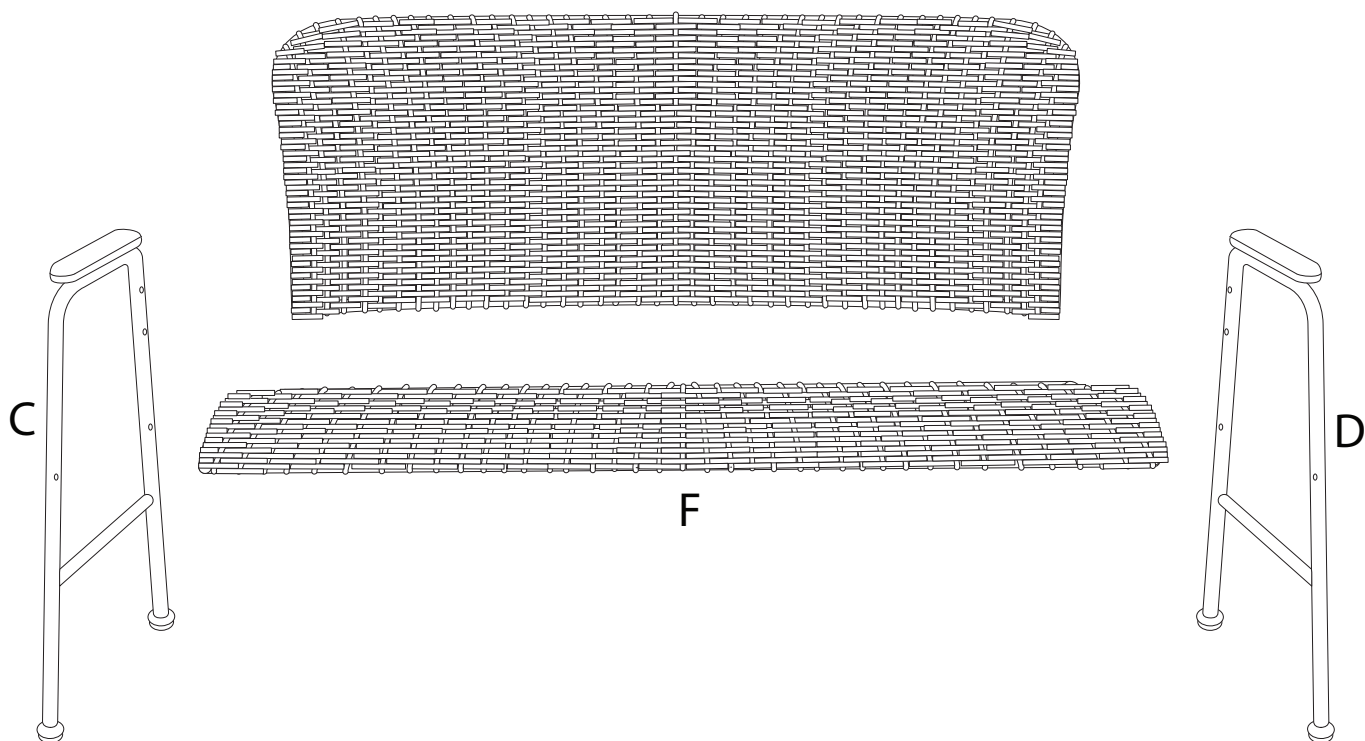
<p>D</p>  <p>x 1</p>	<p>K1</p>  <p>M8 x 35</p> <p>x 4</p>	<p>K2</p>  <p>x 4</p>	<p>L</p>  <p>x 1</p>
---	---	---	---



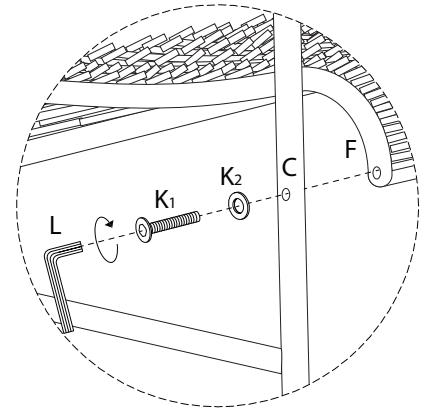
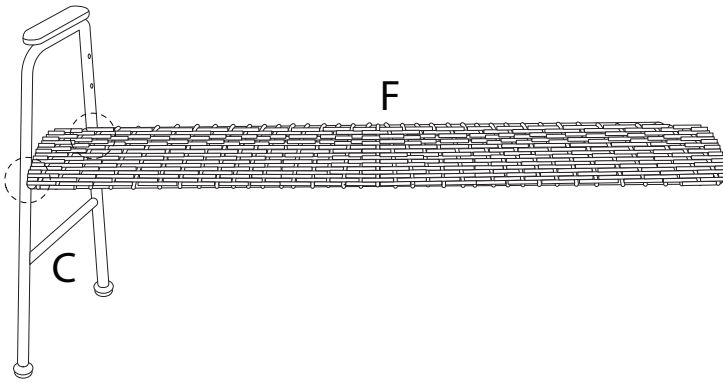
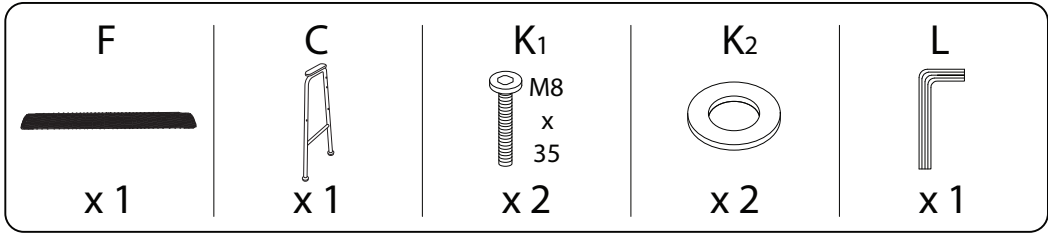
B



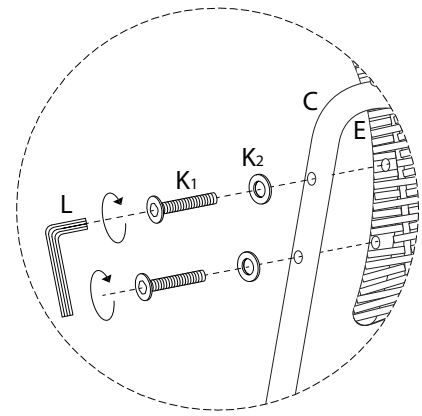
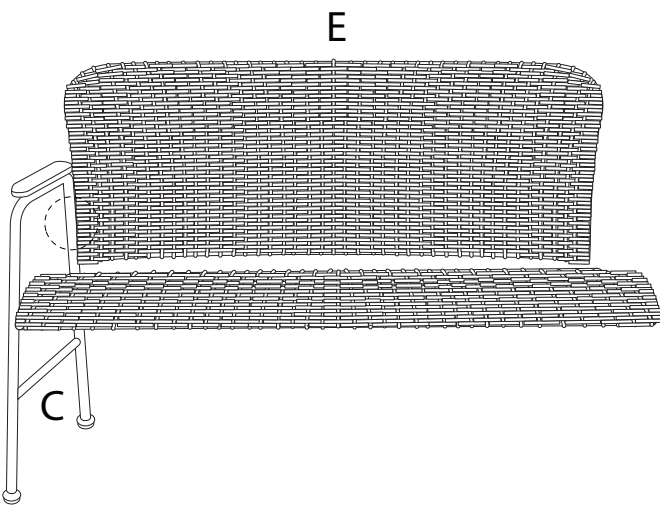
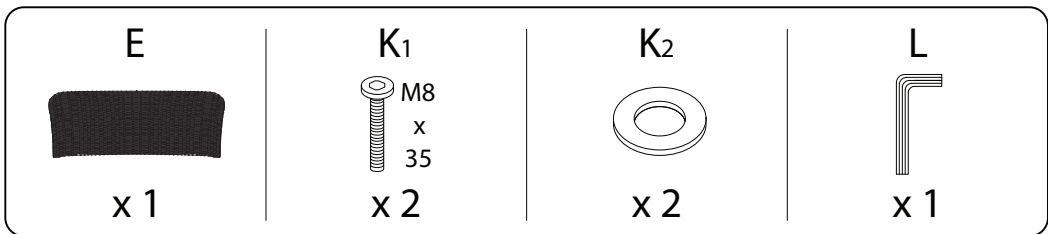
E



1



2



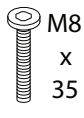
3

D



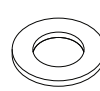
x 1

K1



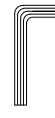
x 4

K2

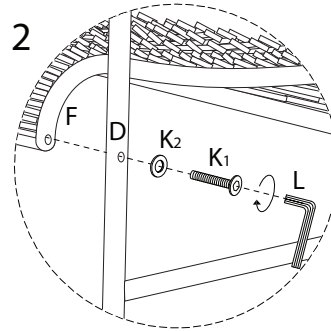
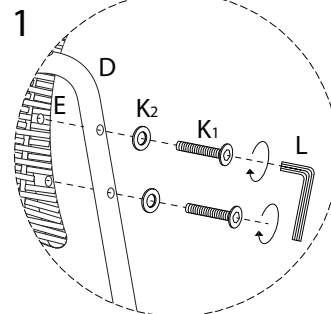
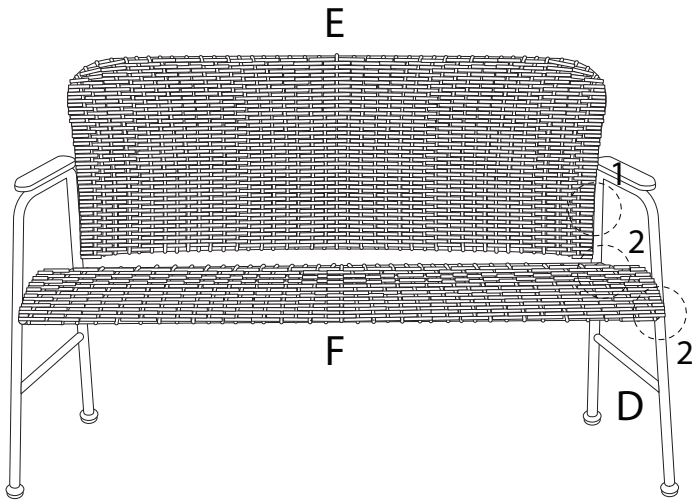


x 4


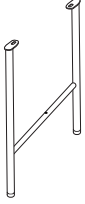
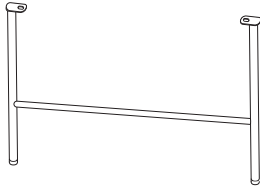
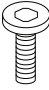
L

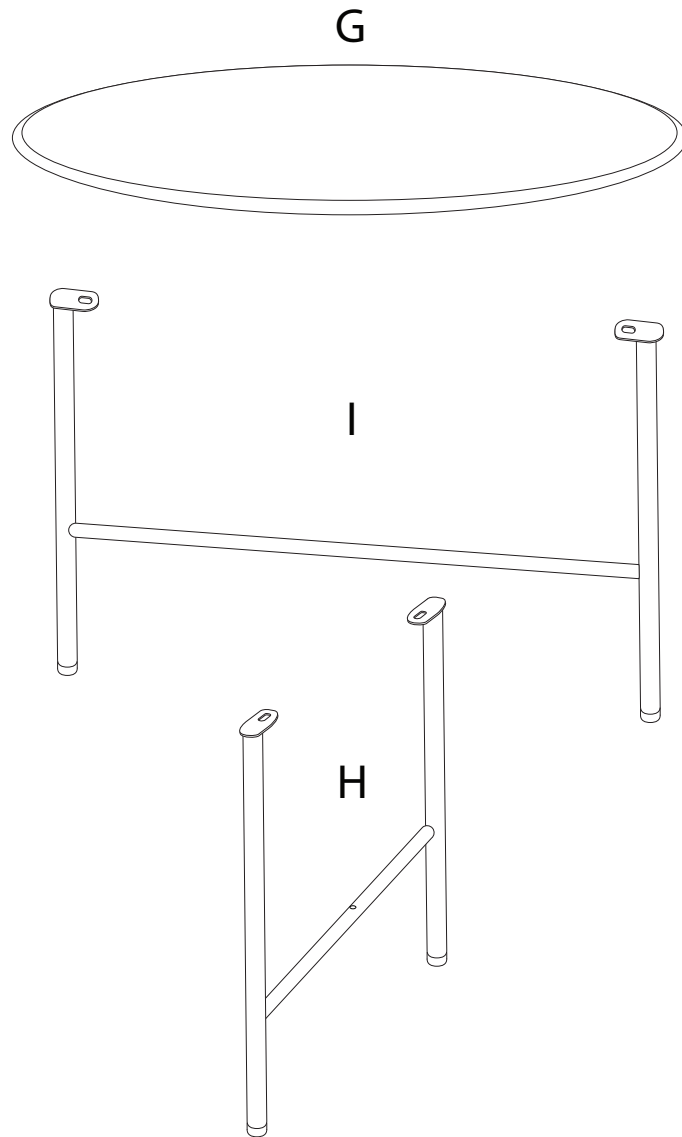


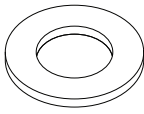
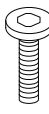
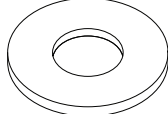

x 1



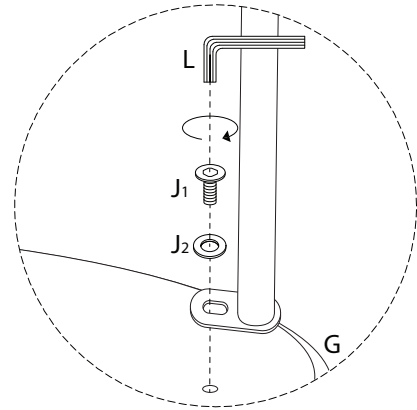
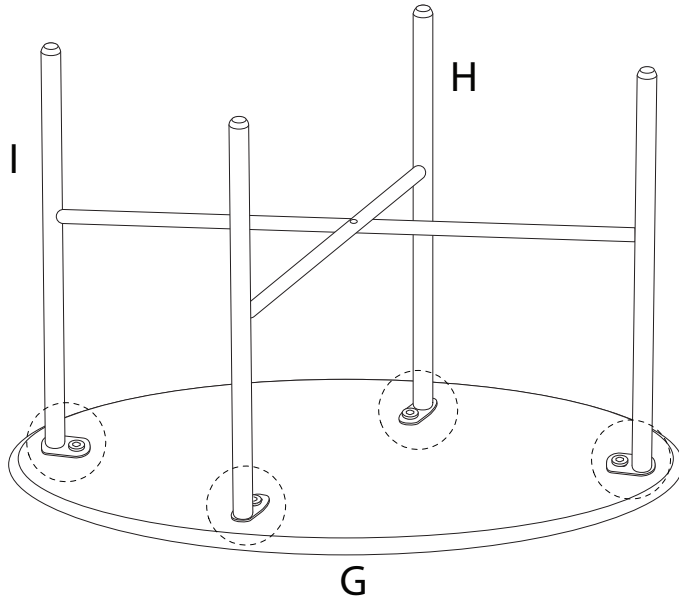
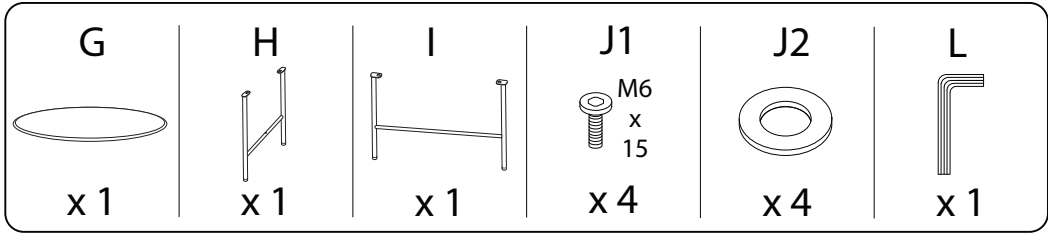
C

<p>G</p>  <p>x 1</p>	<p>H</p>  <p>x 1</p>	<p>I</p>  <p>x 1</p>	<p>J1</p>  <p>M6 x 15</p> <p>x 4</p>
---	---	--	---



<p>J2</p>  <p>x 4</p>	<p>M1</p>  <p>M6 x 20</p> <p>x 1</p>	<p>M2</p>  <p>x 1</p>	<p>L</p>  <p>x 1</p>
--	---	---	---

1



2

