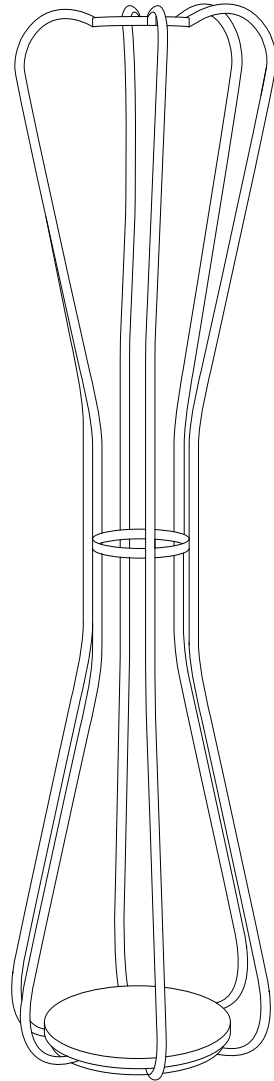
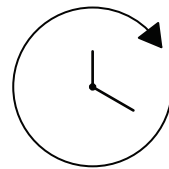
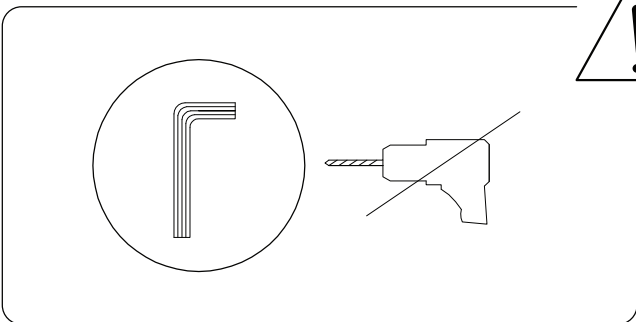
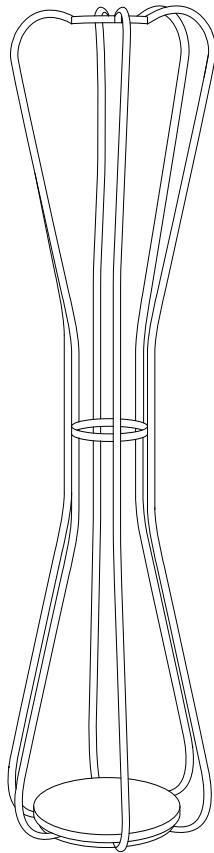
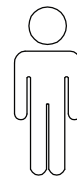
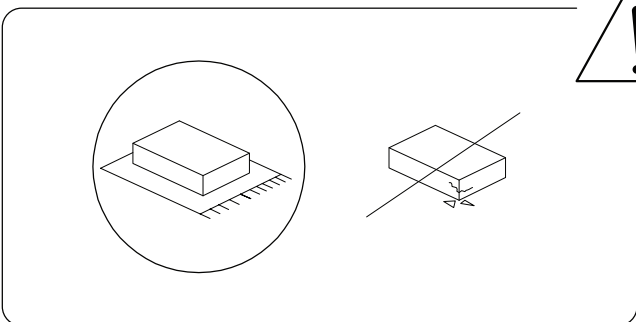


ORDWAY










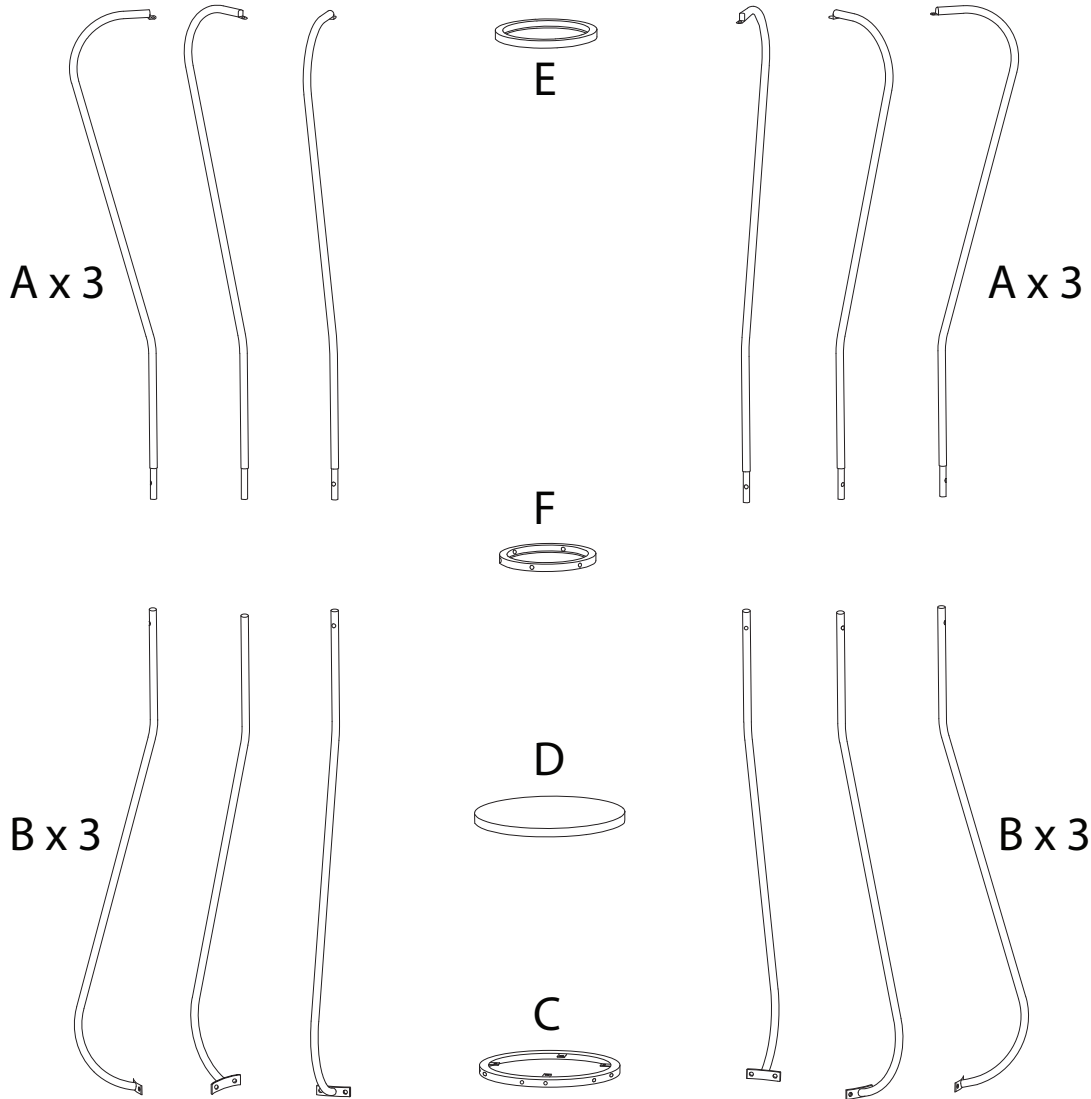
15'


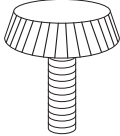
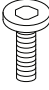
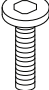
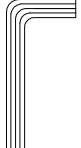


2

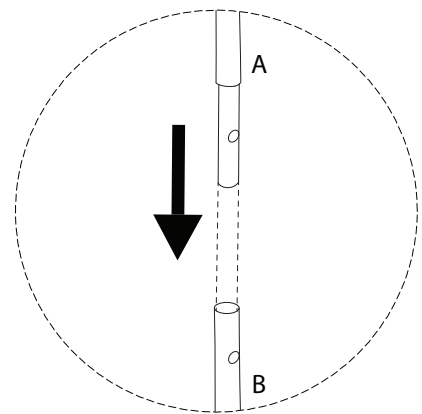
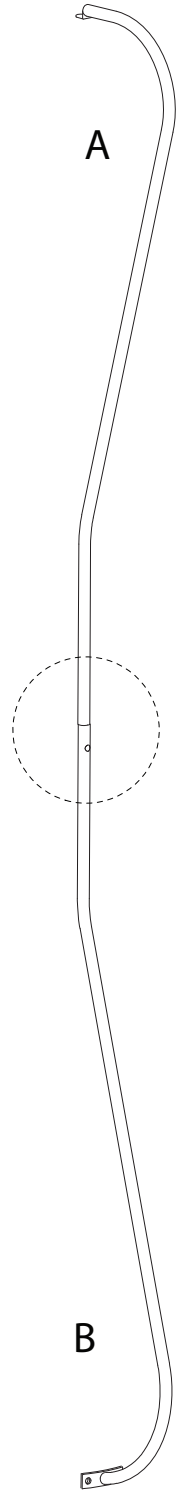
1/6

A  x 6	B  x 6	C  x 1	D  x 1	E  x 1
-------------------------------------------------------------------------------------------------------------	-------------------------------------------------------------------------------------------------------------	-------------------------------------------------------------------------------------------------------------	--------------------------------------------------------------------------------------------------------------	---------------------------------------------------------------------------------------------------------------

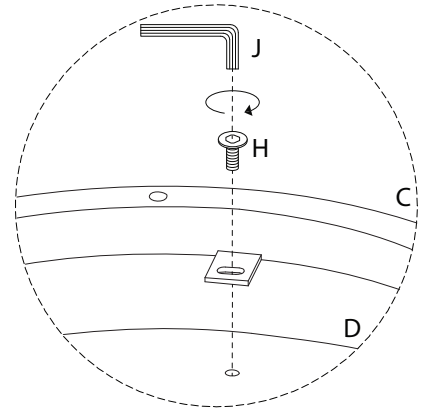
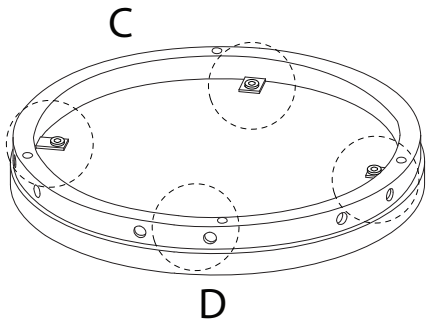
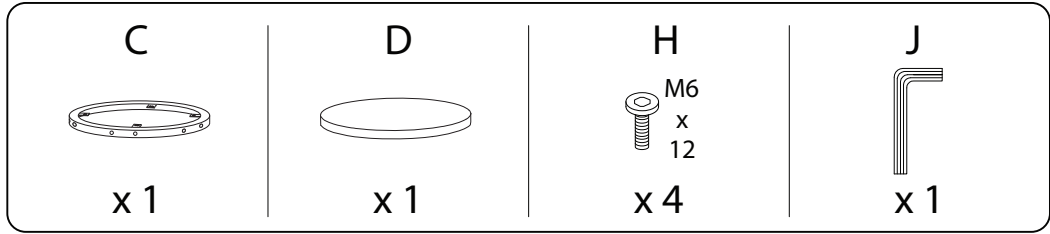


F  x 1	G  x 4	H  M6 x 12 x 22	I  M6 x 22 x 6	J  x 1
---------------------------------------------------------------------------------------------------------------	---------------------------------------------------------------------------------------------------------------	---------------------------------------------------------------------------------------------------------------------------------	----------------------------------------------------------------------------------------------------------------------------------	-----------------------------------------------------------------------------------------------------------------

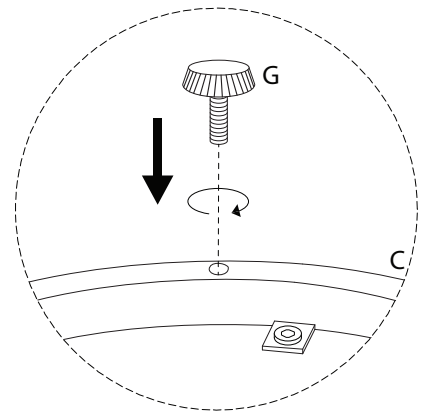
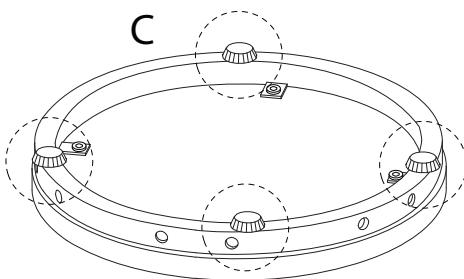
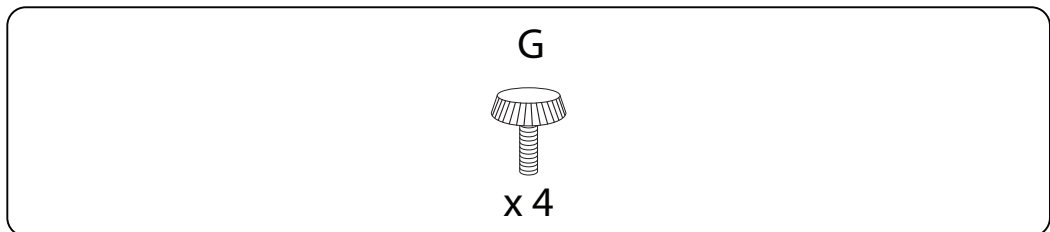
1 x 6








2

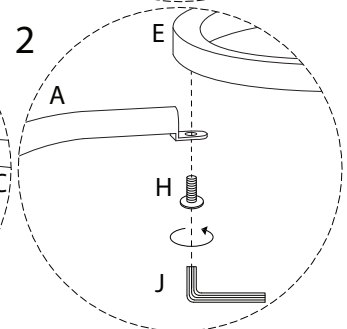
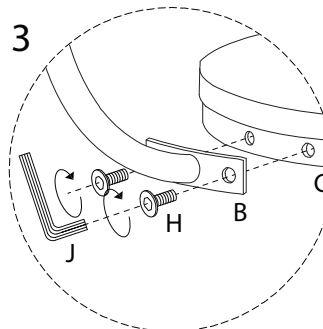
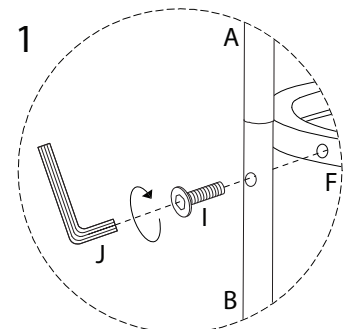
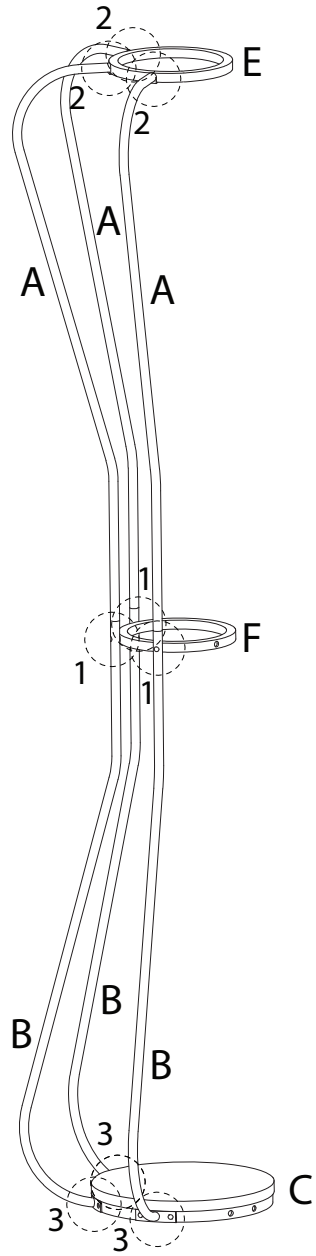


3



4

<p>E</p>  <p>x 1</p>	<p>F</p>  <p>x 1</p>	<p>H</p>  <p>M6 x 12 x 6</p>	<p>I</p>  <p>M6 x 22 x 3</p>	<p>J</p>  <p>x 1</p>
-------------------------------------------------------------------------------------------------------	-------------------------------------------------------------------------------------------------------	---------------------------------------------------------------------------------------------------------------------------	-----------------------------------------------------------------------------------------------------------------------------	---------------------------------------------------------------------------------------------------------



5

H



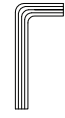
x 6

I



x 3

J



x 1

