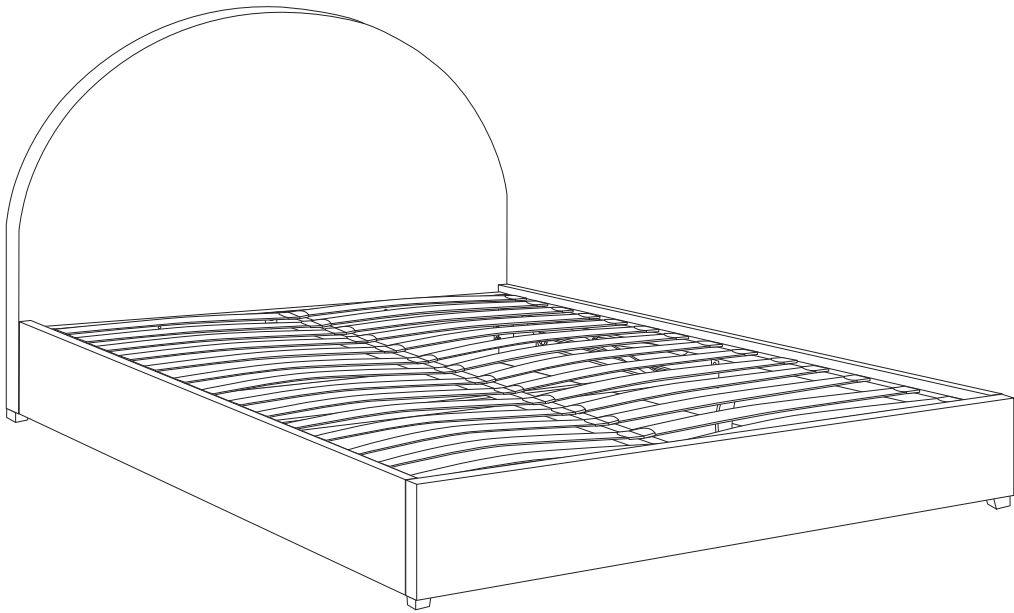
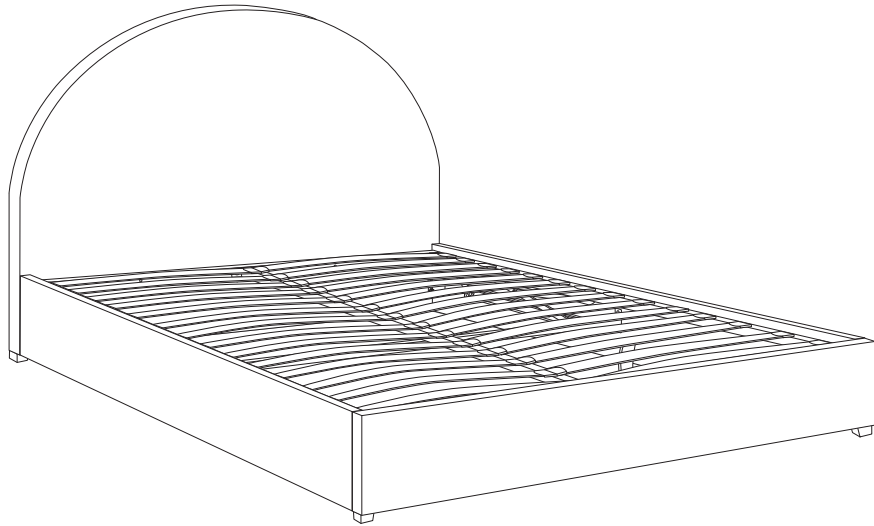


# VAUCLUSE





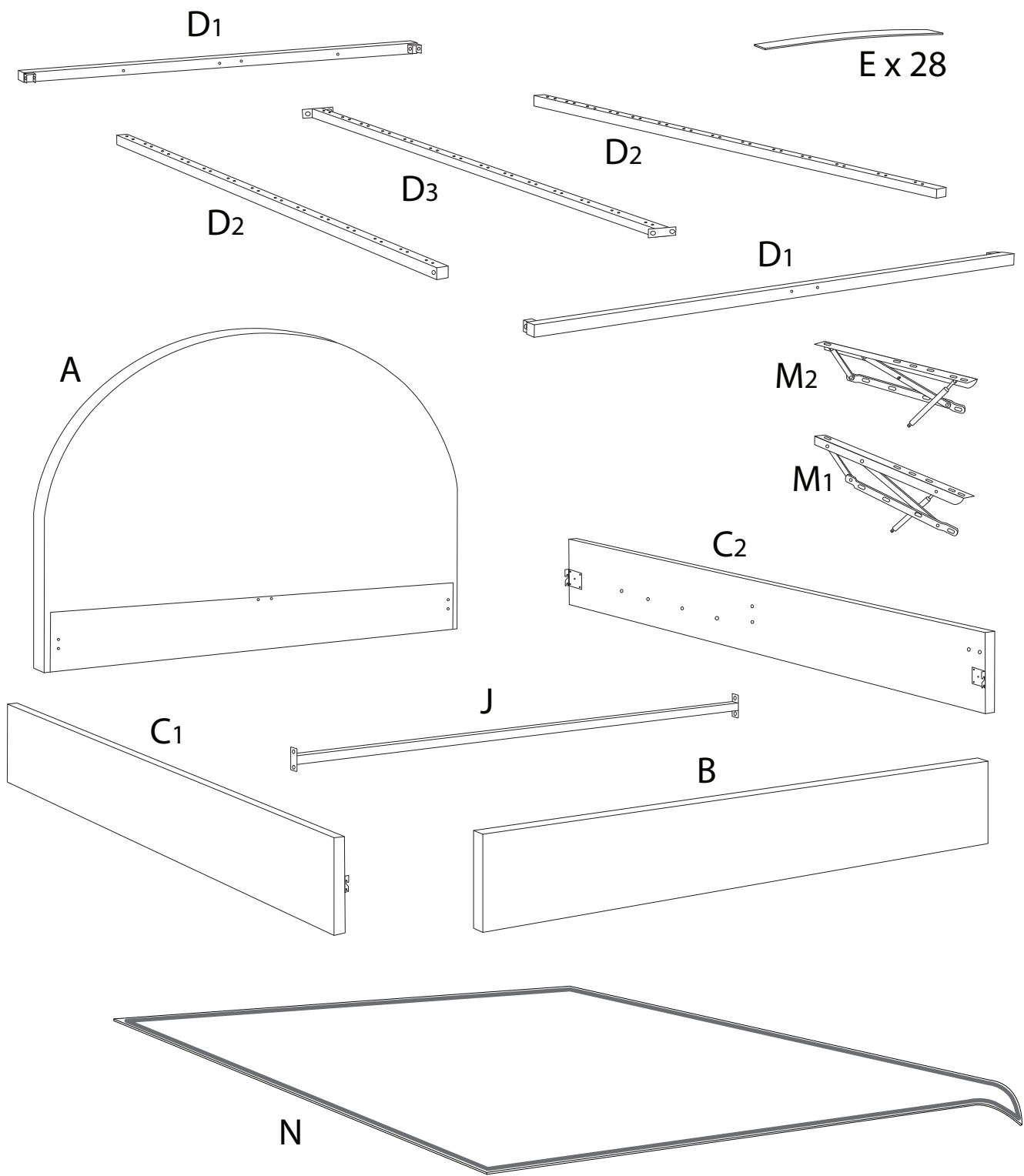
Assembly instructions for the bed frame, including tool requirements, time, and personnel.

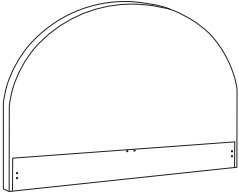
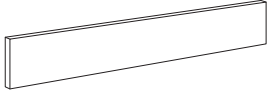
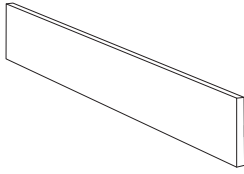
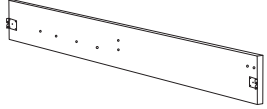

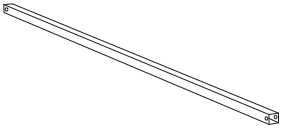
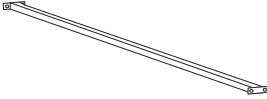

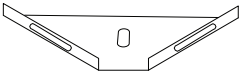

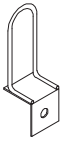
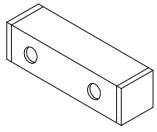

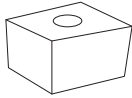
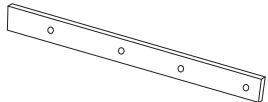
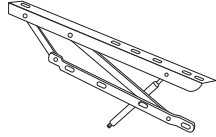
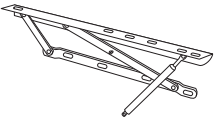
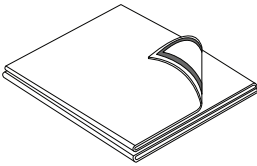
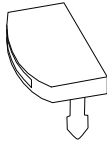
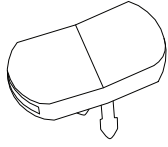
**Tools:** An icon shows a circle containing an Allen key and a wrench, with a crossed-out power drill icon next to it, indicating that a power drill is not required.

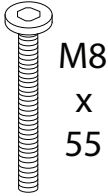
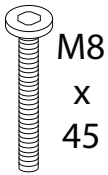

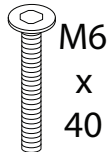

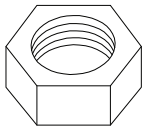
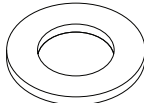
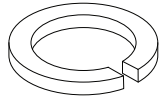
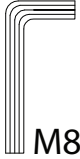
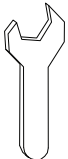
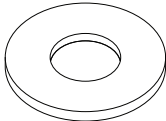
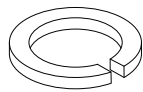

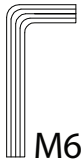
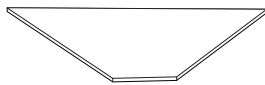
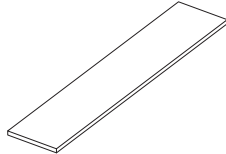
**Warning:** A warning triangle with an exclamation mark is positioned to the right of the tool icons.

**Time:** A clock icon is shown with the text "90'" below it, indicating the estimated assembly time is 90 minutes.

**Personnel:** An icon of a person is shown with the number "2" below it, indicating that two people are required for assembly.

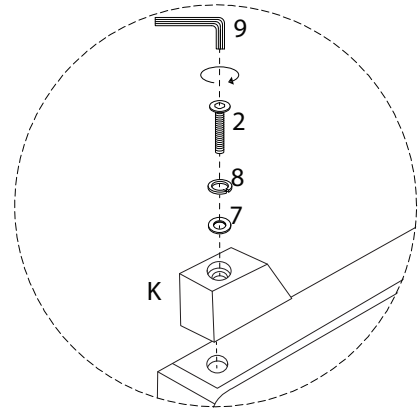
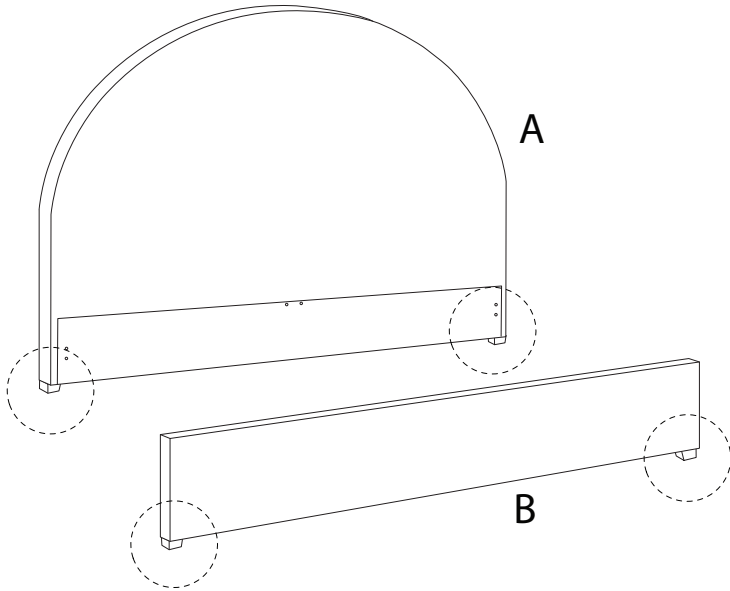


<p>A</p>  <p>x 1</p>	<p>B</p>  <p>x 1</p>	<p>C1</p>  <p>x 1</p>	<p>C2</p>  <p>x 1</p>
<p>D1</p>  <p>x 2</p>	<p>D2</p>  <p>x 2</p>	<p>D3</p>  <p>x 1</p>	<p>E</p>  <p>x 28</p>
<p>F</p>  <p>x 2</p>	<p>G</p>  <p>x 1</p>	<p>H</p>  <p>x 2</p>	<p>I</p>  <p>x 2</p>
<p>J</p>  <p>x 1</p>	<p>J</p>  <p>x 4</p>	<p>L</p>  <p>x 2</p>	<p>M1</p>  <p>x 1</p>
<p>M2</p>  <p>x 1</p>	<p>N</p>  <p>x 1</p>	<p>O</p>  <p>x 28</p>	<p>P</p>  <p>x 14</p>

<p>1</p>  <p>M8 x 55</p> <p>x 4</p>	<p>2</p>  <p>M8 x 45</p> <p>x 18</p>	<p>3</p>  <p>M8 x 30</p> <p>x 8</p>	<p>4</p>  <p>M6 x 40</p> <p>x 8</p>
<p>5</p>  <p>M6 x 20</p> <p>x 12</p>	<p>6</p>  <p>x 14</p>	<p>7</p>  <p>M8</p> <p>x 30</p>	<p>8</p>  <p>M8</p> <p>x 30</p>
<p>9</p>  <p>M8</p> <p>x 1</p>	<p>10</p>  <p>x 1</p>	<p>11</p>  <p>M6</p> <p>x 20</p>	<p>12</p>  <p>M6</p> <p>x 20</p>
<p>13</p>  <p>x 1</p>	<p>14</p>  <p>M6</p> <p>x 1</p>	<p>15</p>  <p>x 2</p>	<p>16</p>  <p>x 3</p>

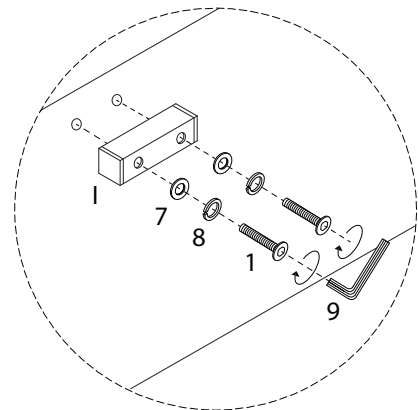
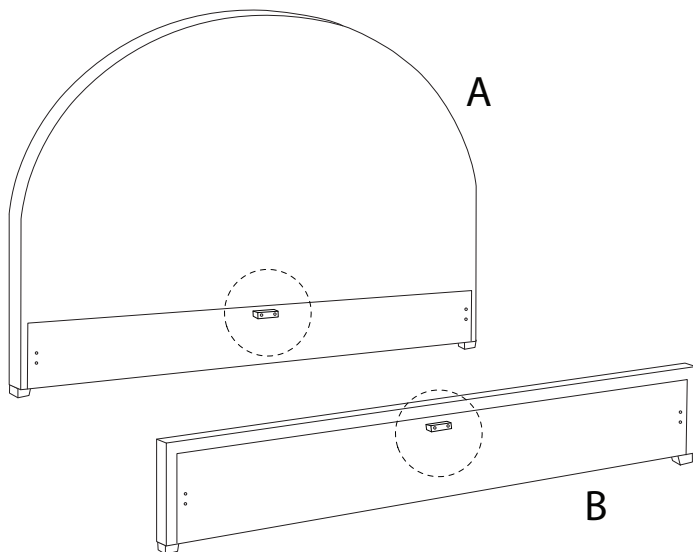
1

<b>A</b>  x 1	<b>B</b>  x 1	<b>K</b>  x 4	<b>2</b>  x 4	<b>7</b>  x 4	<b>8</b>  x 4	<b>9</b>  x 1
---------------------	---------------------	---------------------	---------------------	---------------------	---------------------	---------------------

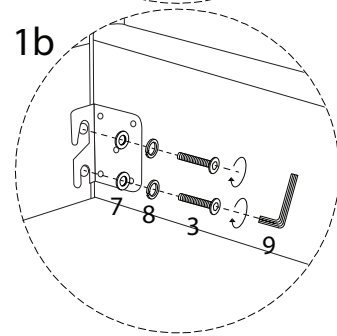
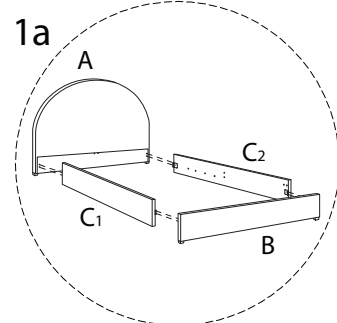
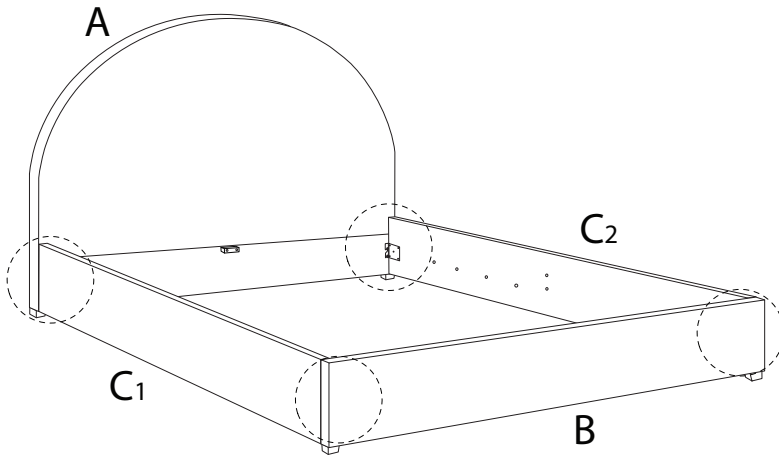
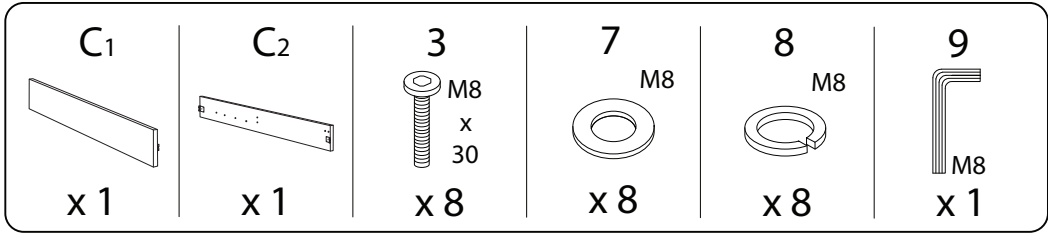


2

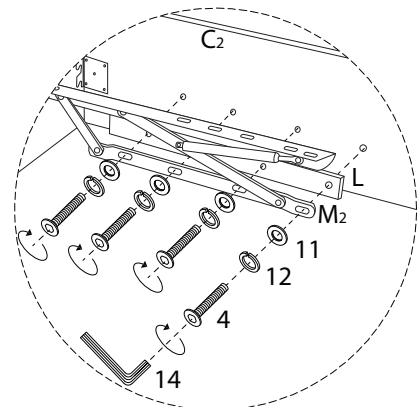
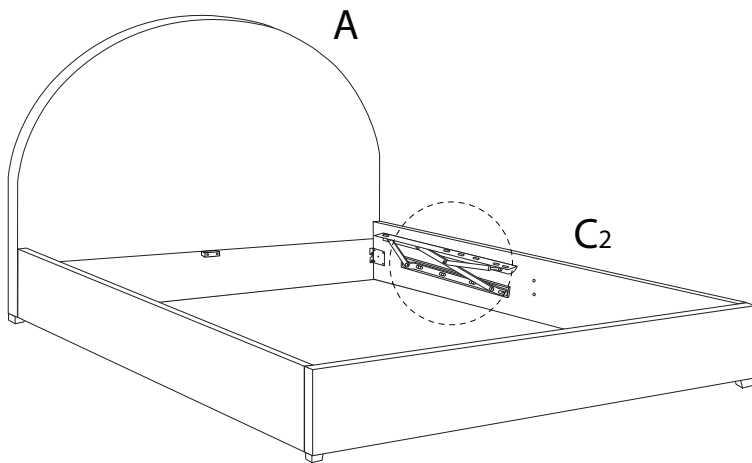
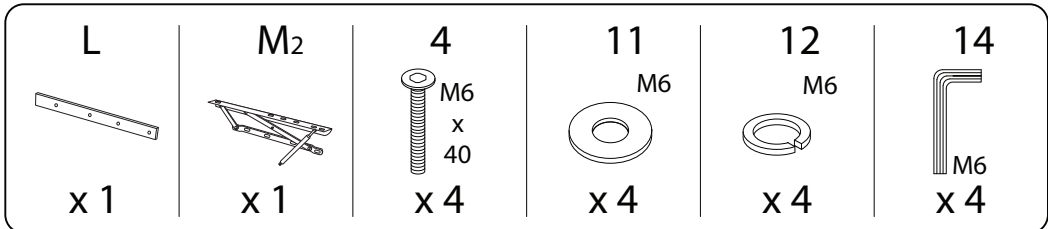
<b>I</b>  x 2	<b>1</b>  x 4	<b>7</b>  x 4	<b>8</b>  x 4	<b>9</b>  x 1
---------------------	---------------------	---------------------	---------------------	---------------------



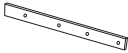
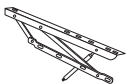
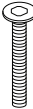

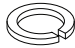
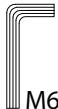
3

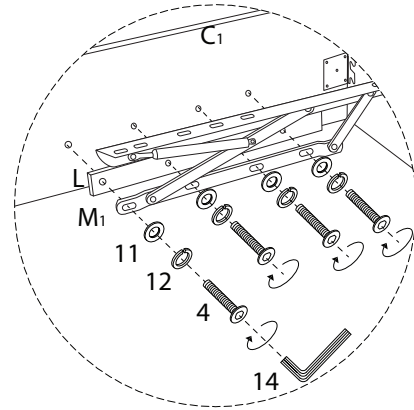
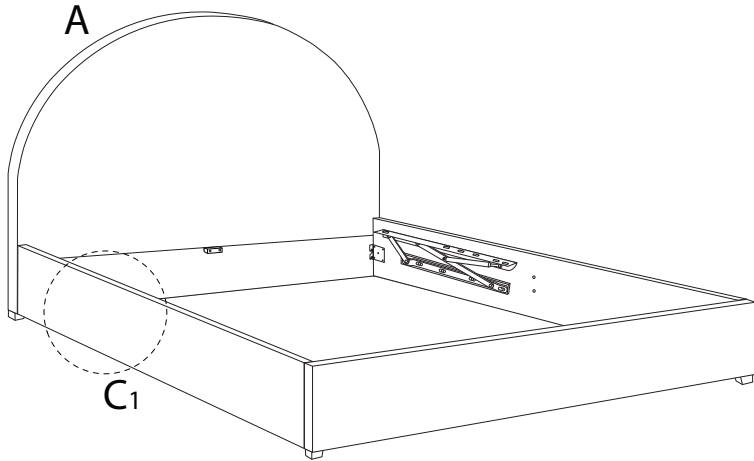


4

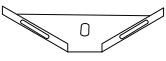
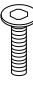


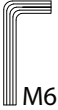


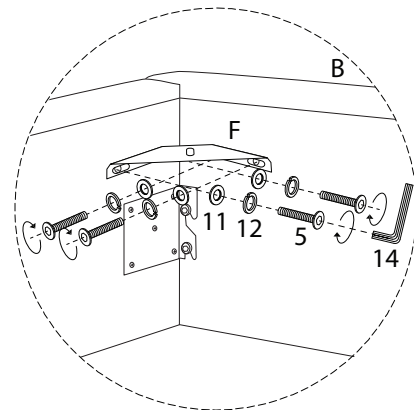
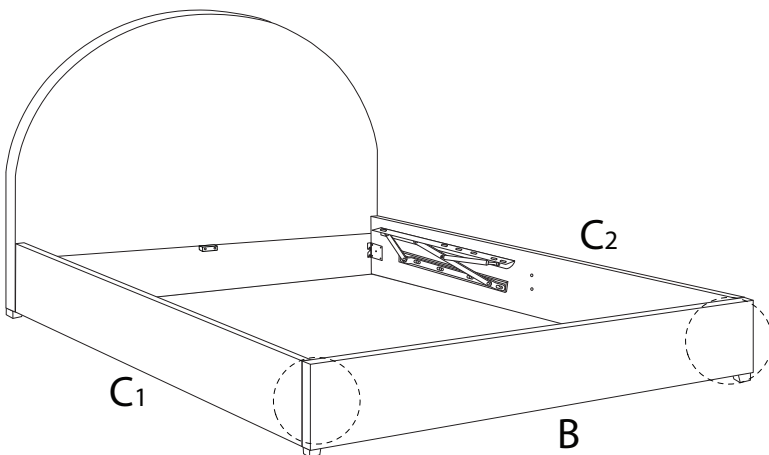
5

L  x 1	M <sub>1</sub>  x 1	4 M6 x 40  x 4	11 M6  x 4	12 M6  x 4	14 M6  x 1
-----------------------------------------------------------------------------------------------	------------------------------------------------------------------------------------------------------------	----------------------------------------------------------------------------------------------------------------	-------------------------------------------------------------------------------------------------------	--------------------------------------------------------------------------------------------------------	--------------------------------------------------------------------------------------------------------






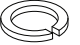

6

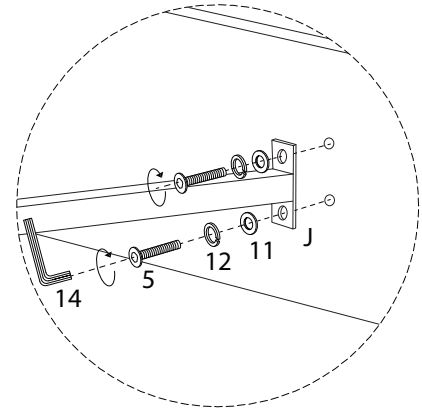
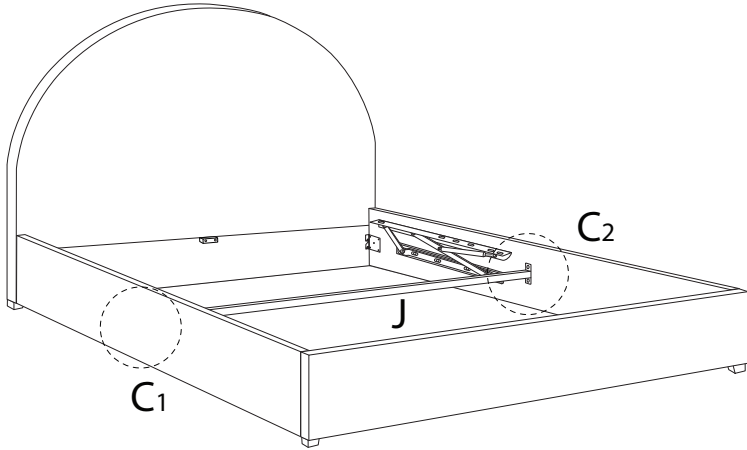
F  x 2	5 M6 x 20  x 8	11 M6  x 8	12 M6  x 8	14 M6  x 1
-------------------------------------------------------------------------------------------------	------------------------------------------------------------------------------------------------------------------	--------------------------------------------------------------------------------------------------------	----------------------------------------------------------------------------------------------------------	----------------------------------------------------------------------------------------------------------



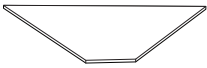


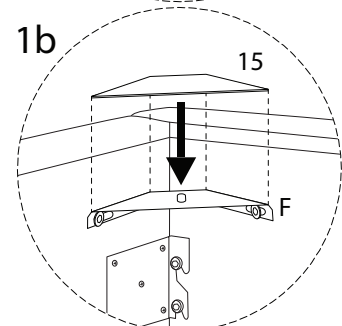
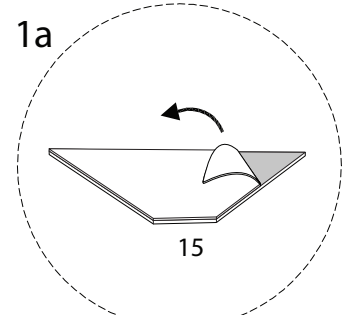
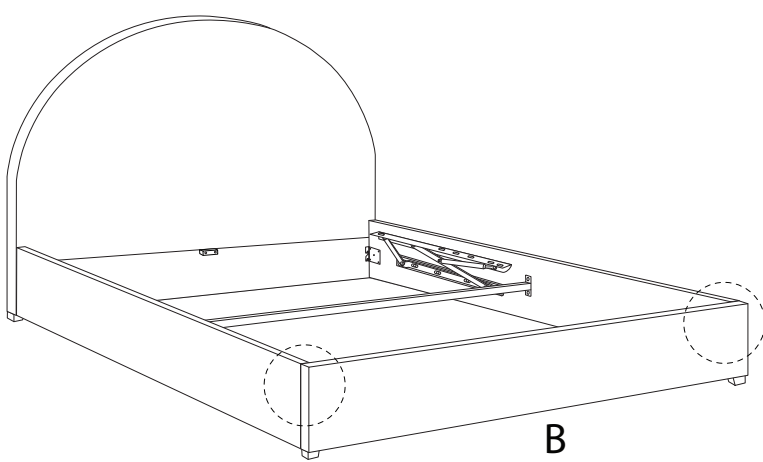
7

<b>J</b>  x 1	<b>5</b>  M6 x 20 x 4	<b>11</b>  M6 x 4	<b>12</b>  M6 x 4	<b>14</b>  M6 x 1
------------------------------------------------------------------------------------------------------	--------------------------------------------------------------------------------------------------------------------	-------------------------------------------------------------------------------------------------------------	---------------------------------------------------------------------------------------------------------------	---------------------------------------------------------------------------------------------------------------

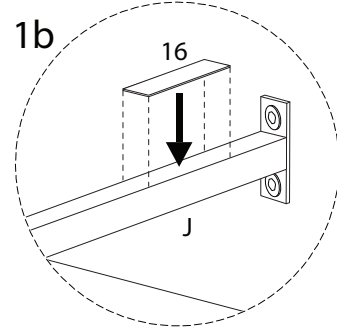
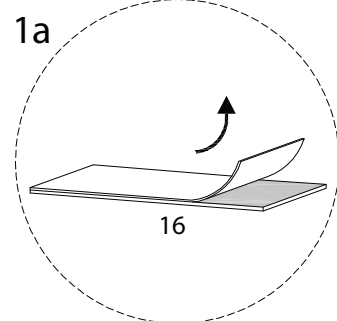
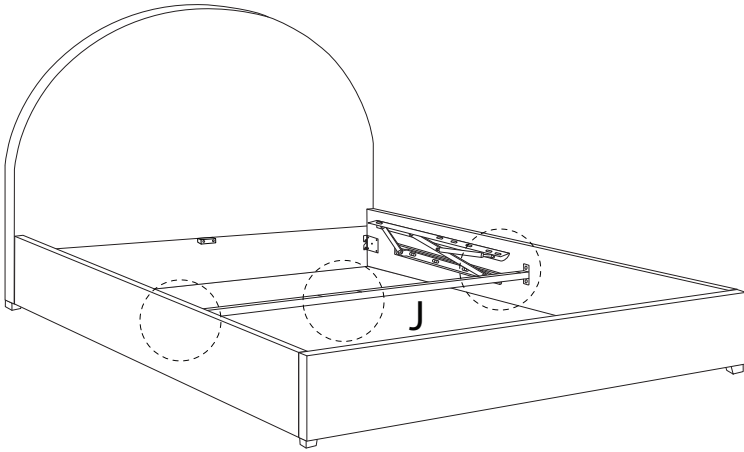
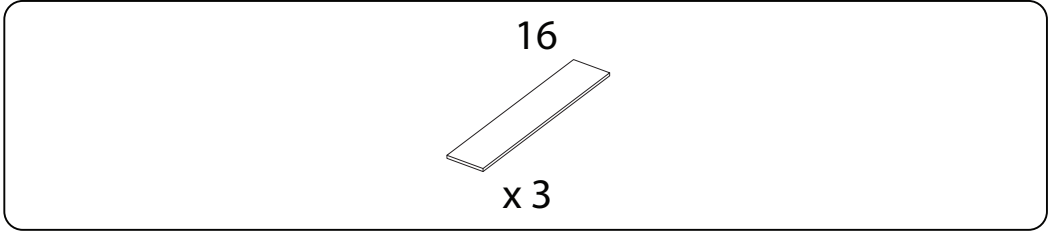


8

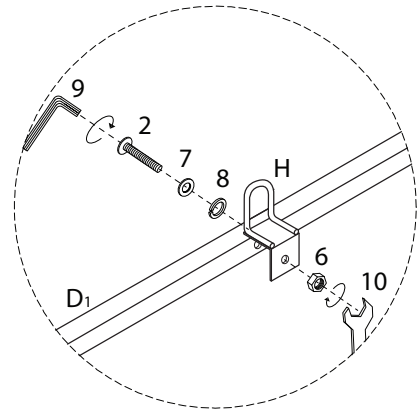
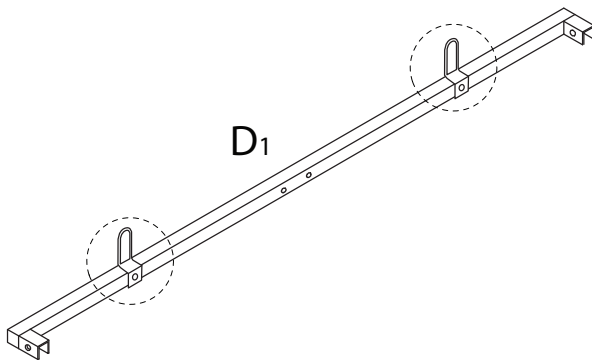
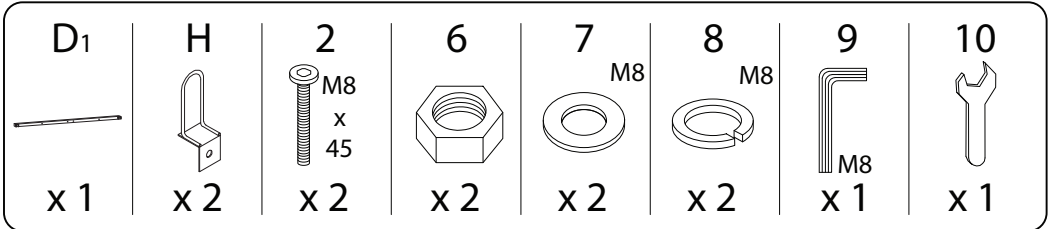
<b>15</b>  x 2
---------------------------------------------------------------------------------------------------------



9



10

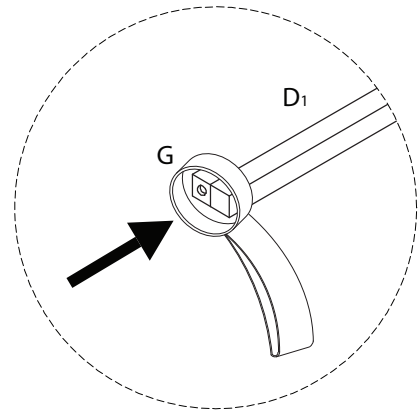
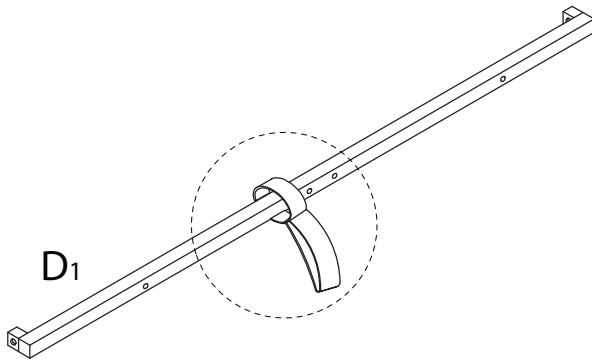


11

G

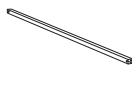


x1



12

D2



x2

2



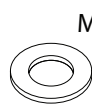
x4

6



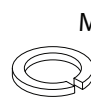
x4

7



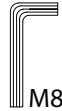
x4

8



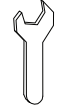
x4

9

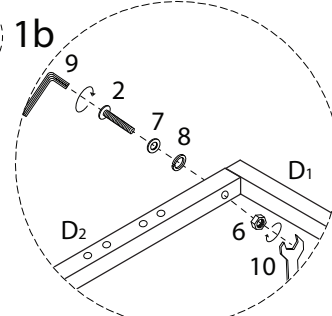
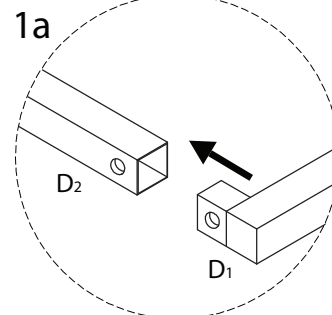
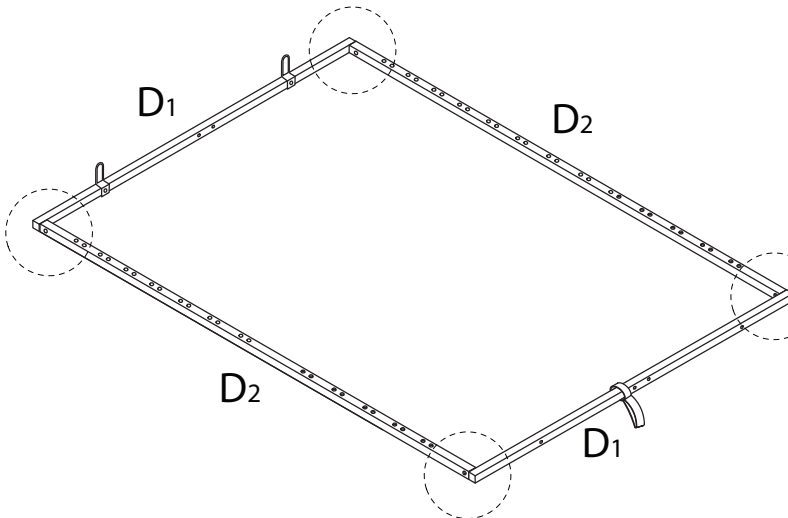


x1


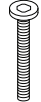
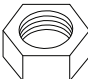


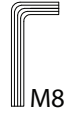
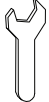
10

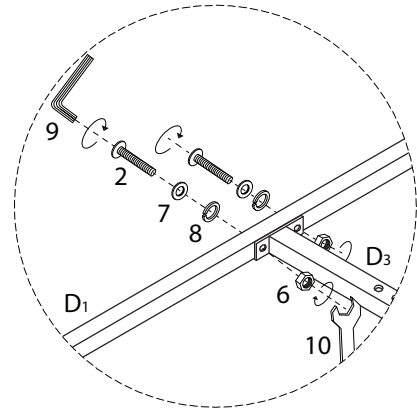
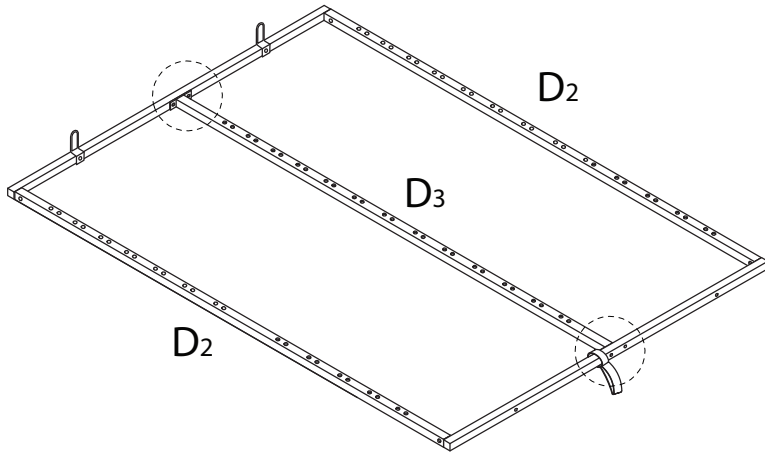


x1

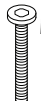
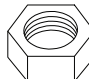


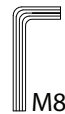



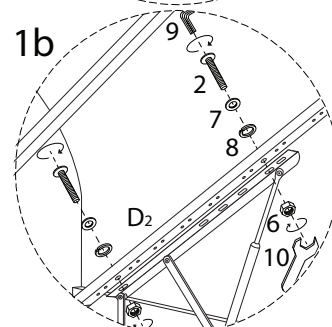
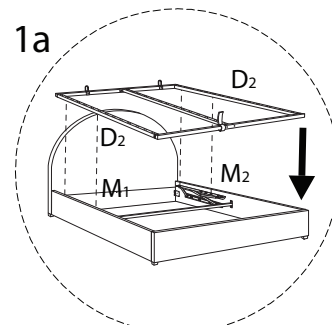
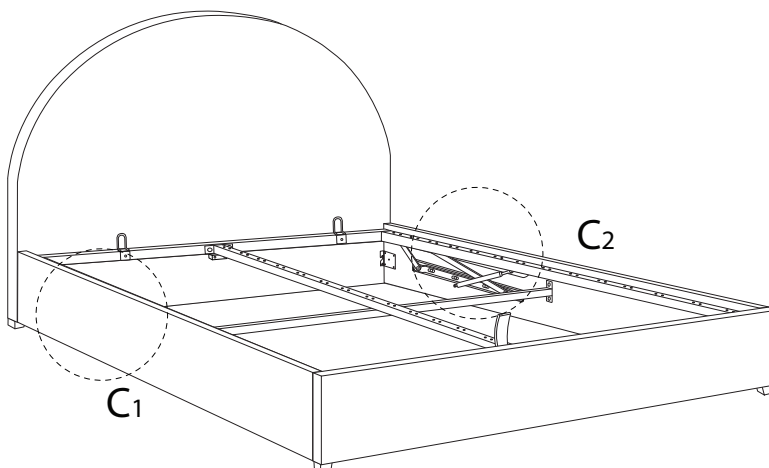
# 13

D3  x 1	2 M8 x 45  x 4	6  x 4	7 M8  x 4	8 M8  x 4	9 M8  x 1	10  x 1
------------------------------------------------------------------------------------------------	-------------------------------------------------------------------------------------------------------------	-----------------------------------------------------------------------------------------------	-----------------------------------------------------------------------------------------------------	------------------------------------------------------------------------------------------------------	-------------------------------------------------------------------------------------------------------	--------------------------------------------------------------------------------------------------

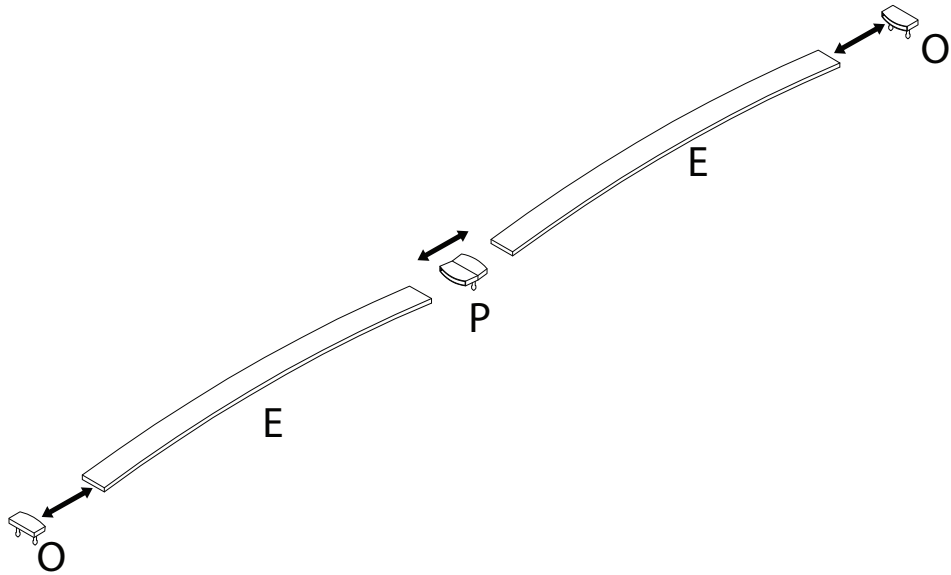
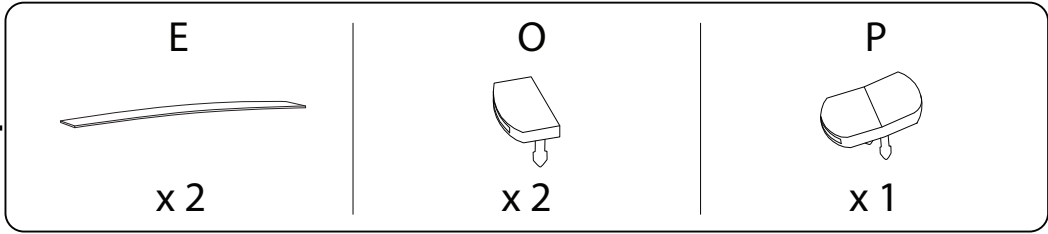


# 14

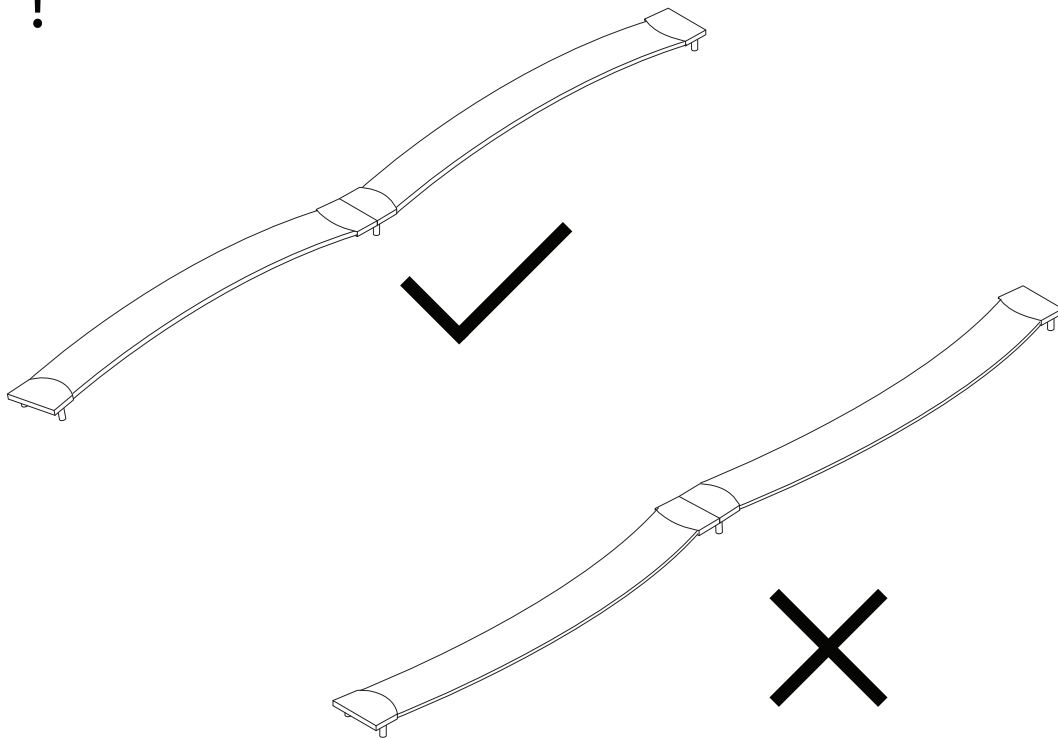
2 M8 x 45  x 4	6  x 4	7 M8  x 4	8 M8  x 4	9 M8  x 1	10  x 1
---------------------------------------------------------------------------------------------------------------	-------------------------------------------------------------------------------------------------	-------------------------------------------------------------------------------------------------------	--------------------------------------------------------------------------------------------------------	---------------------------------------------------------------------------------------------------------	----------------------------------------------------------------------------------------------------



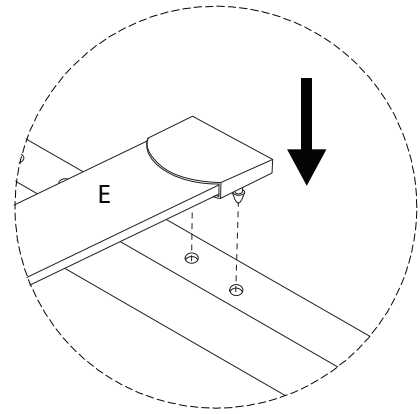
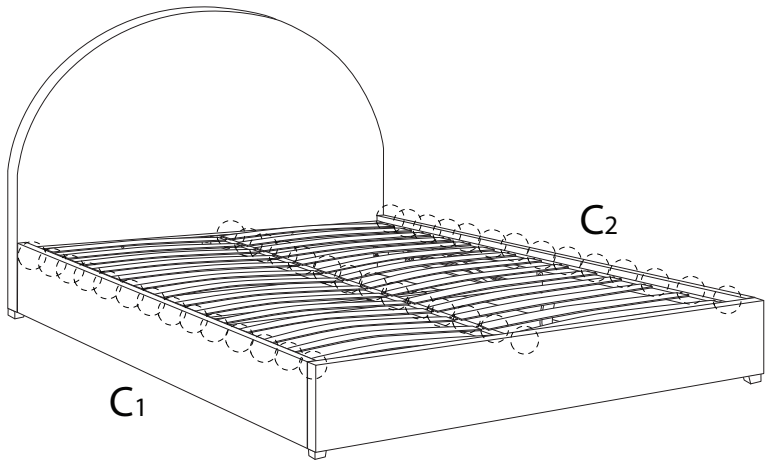
15 x 14



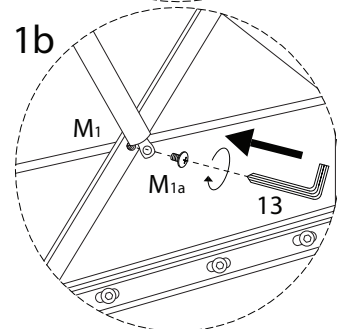
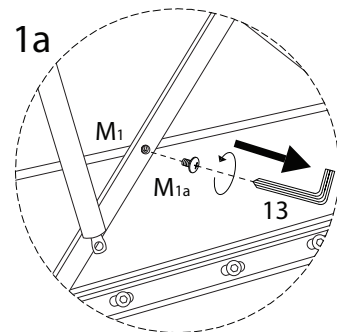
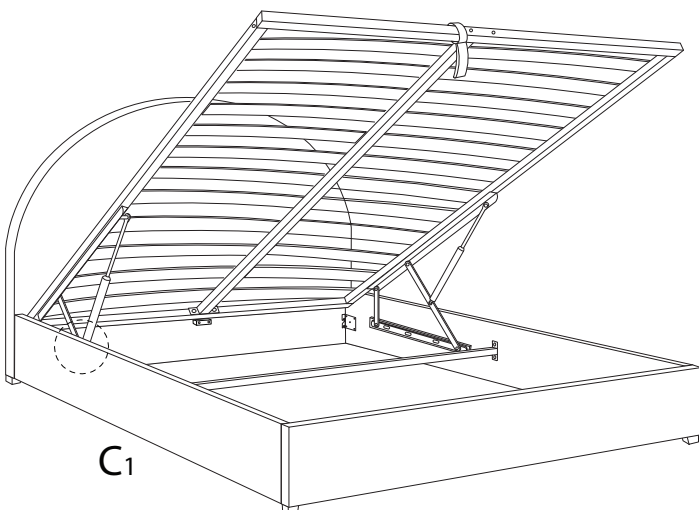
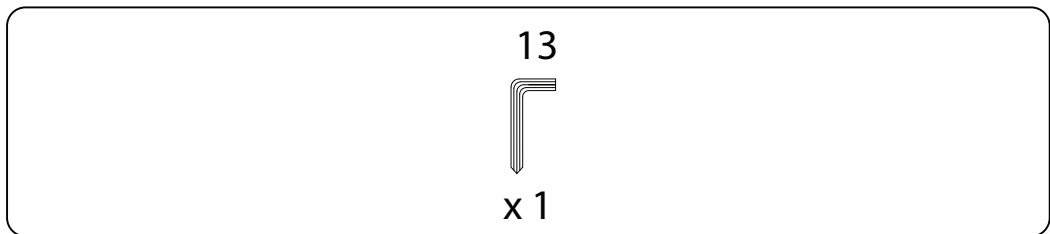
!



16



17

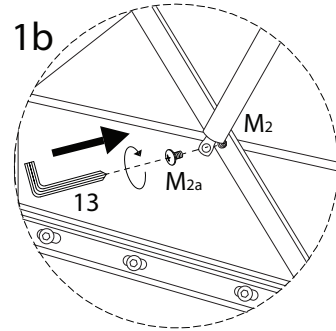
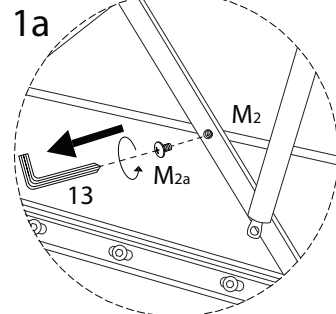
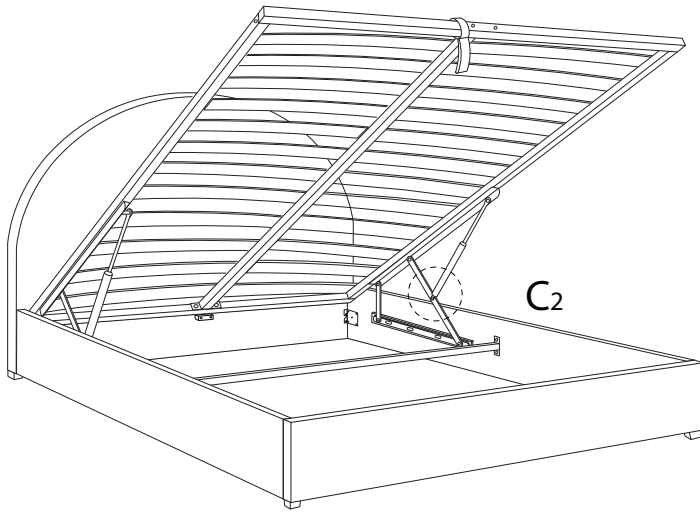


18

13



x 1



19

N



x 1

