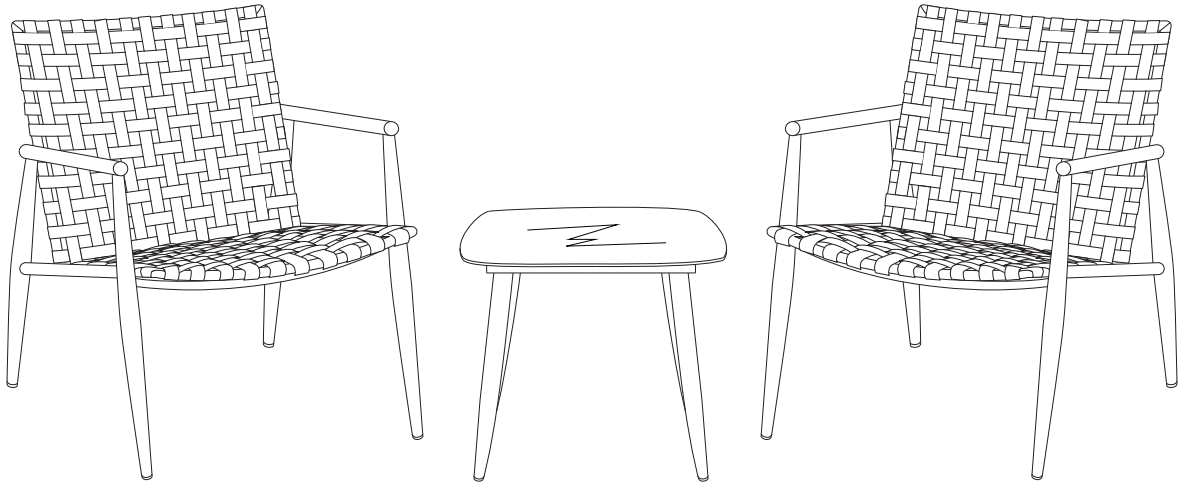


# ZIRIA



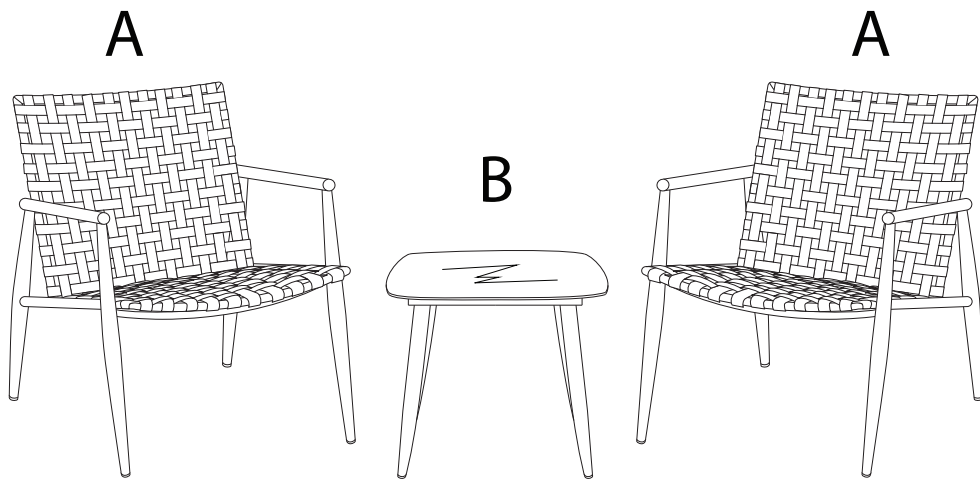
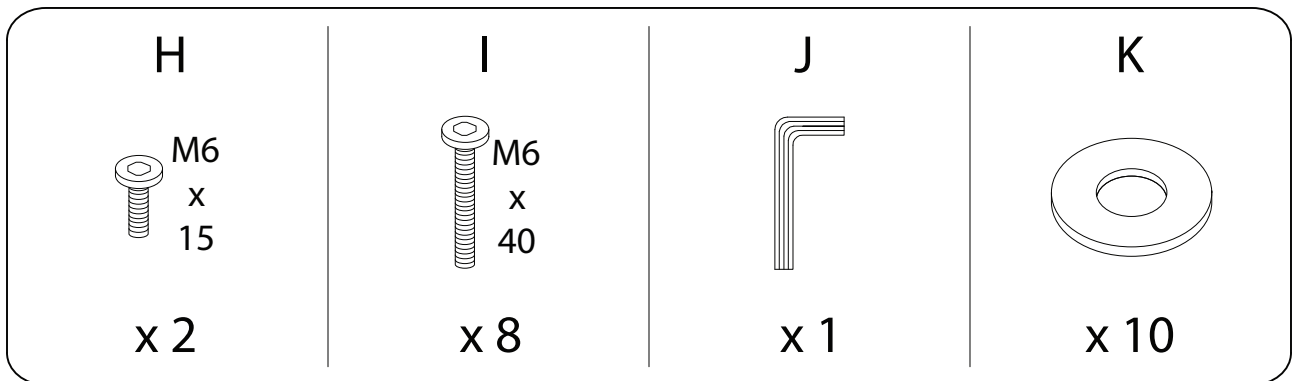
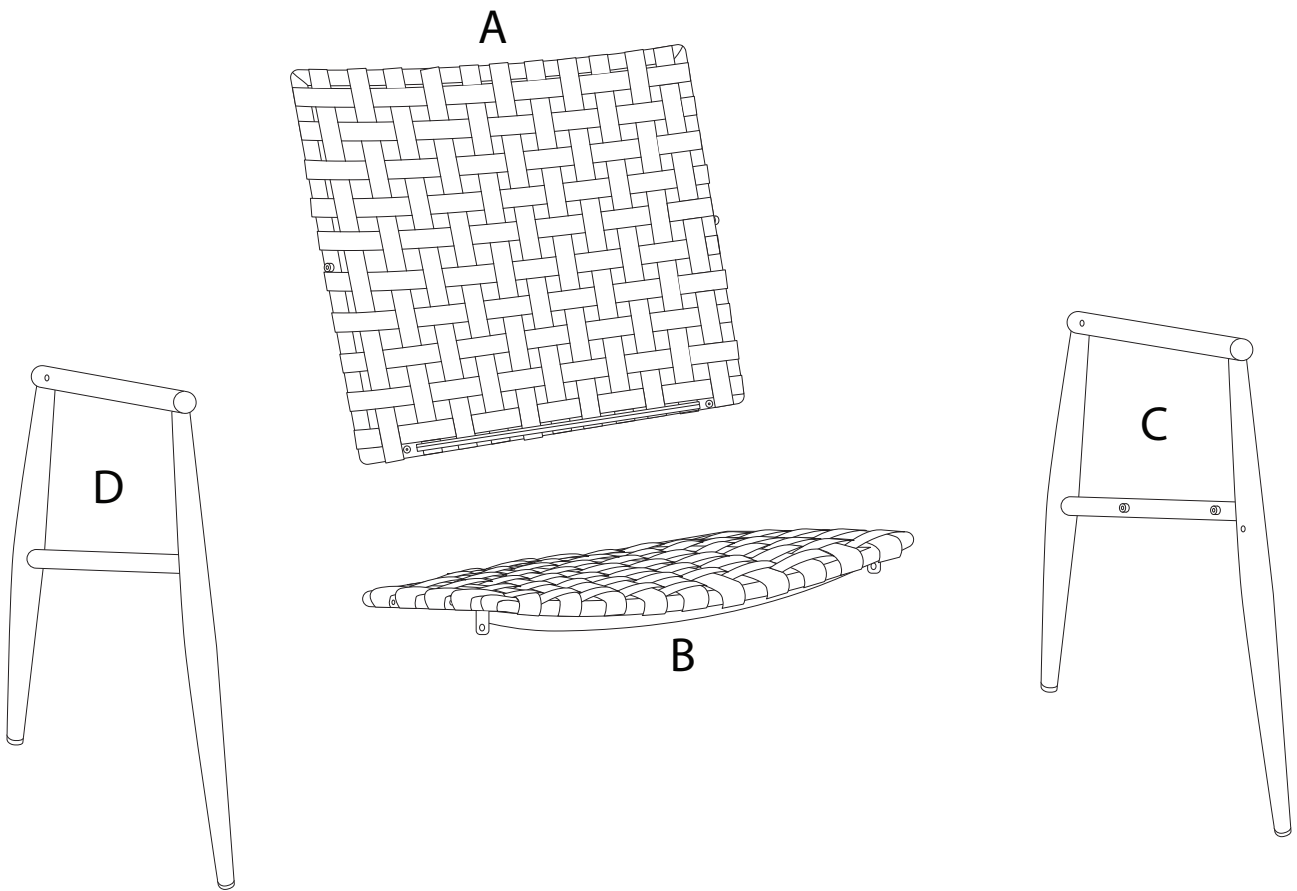
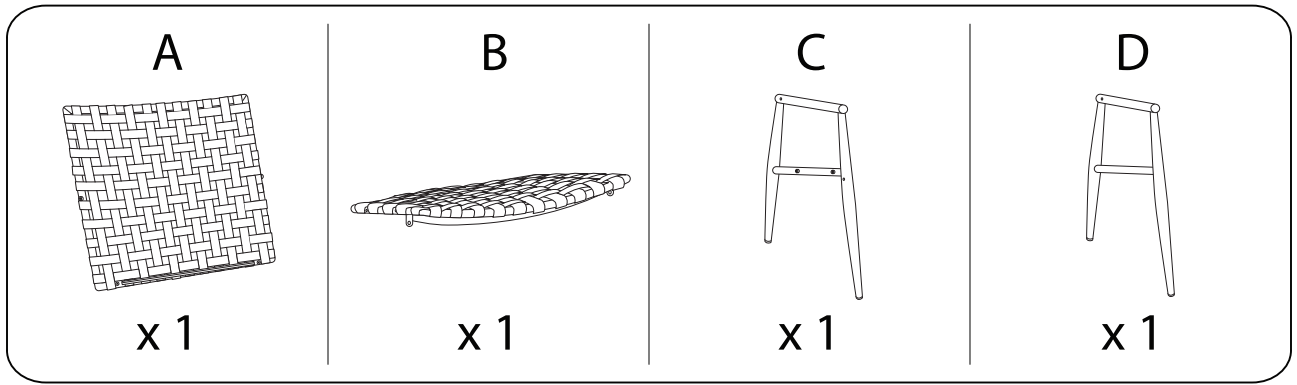


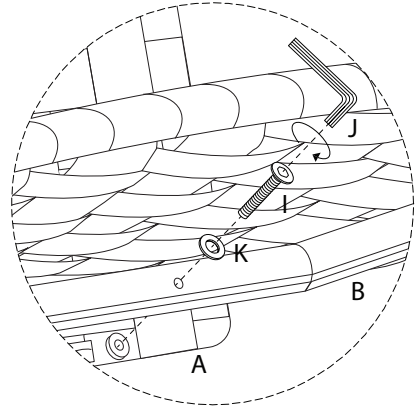
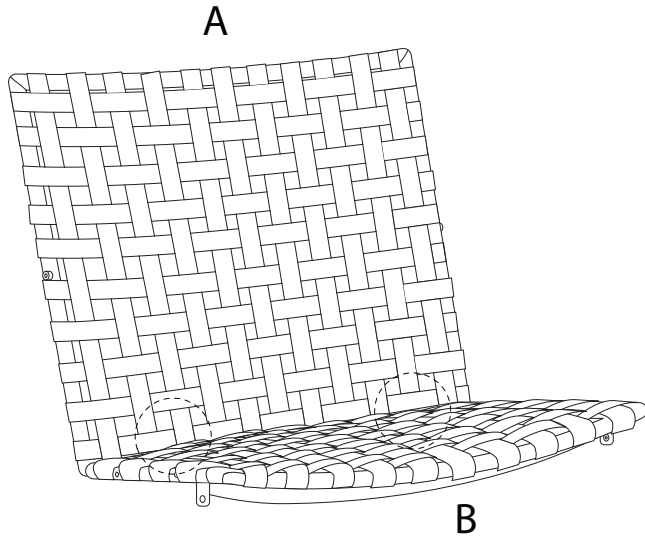
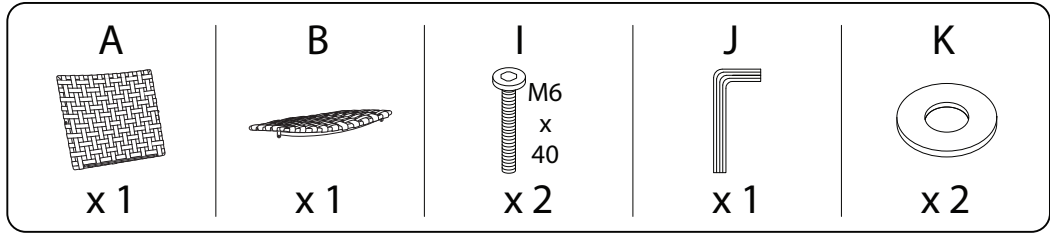
Diagram illustrating safety instructions for assembly:

- Top Section:** Shows a corner bracket (in a circle) and a power drill with a slash through it, indicating that a power drill should not be used. To the right is a warning triangle with an exclamation mark and a clock icon with the text "30'", indicating a 30-minute assembly time.
- Bottom Section:** Shows a rectangular block being placed on a surface (in a circle) and a diagram of the block being secured with a screw. To the right is a warning triangle with an exclamation mark and a person icon with the text "2", indicating that two people are required for assembly.

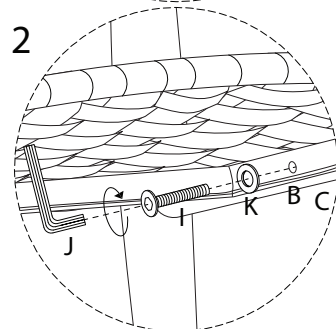
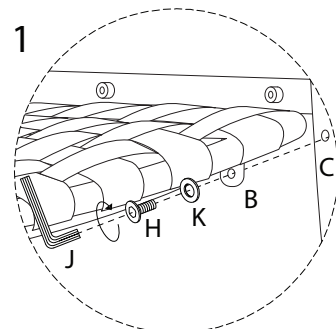
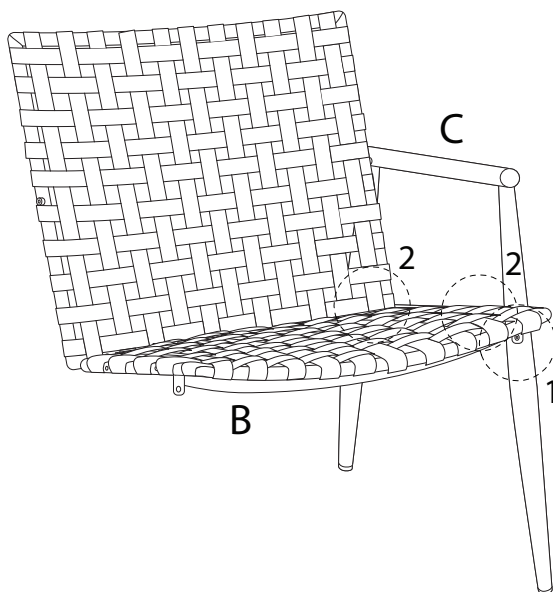
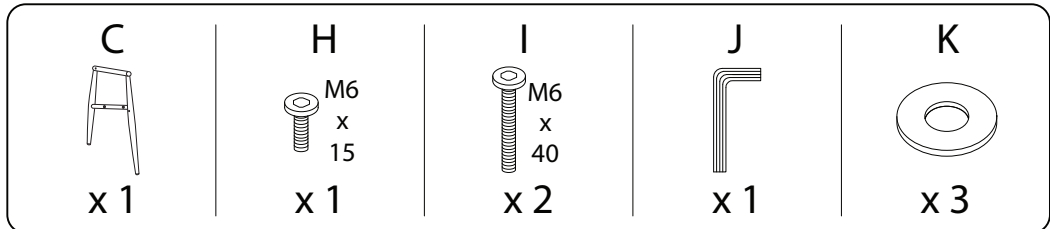
# A x 2





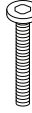
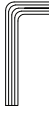
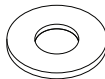
1 x 2

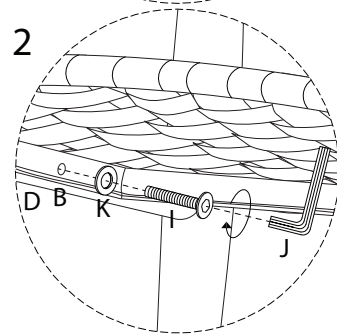
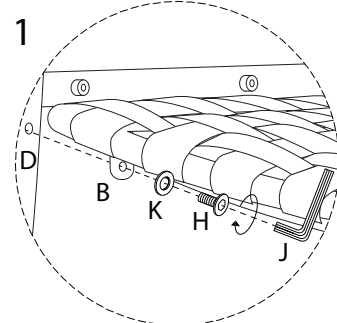
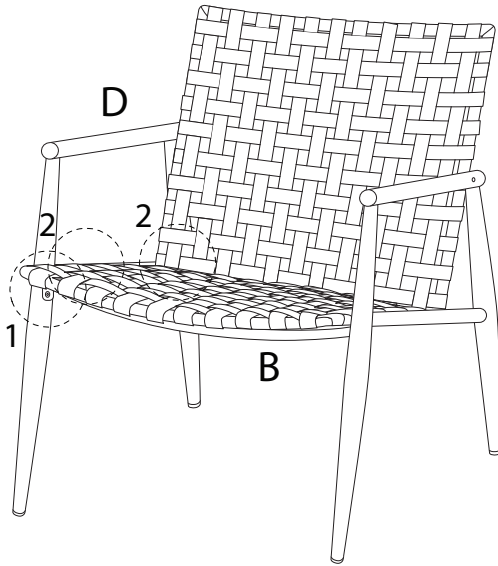


2 x 2

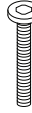
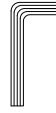
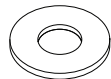


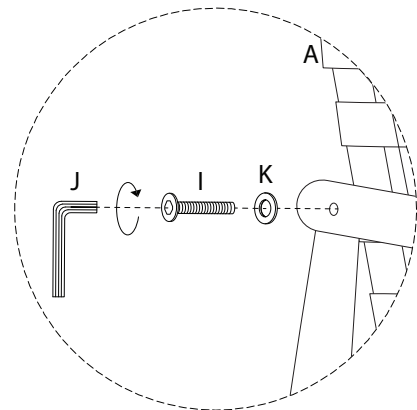
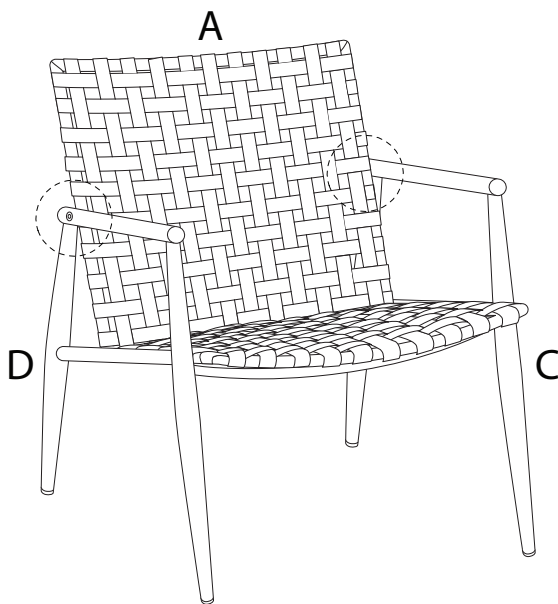
3 x 2

<b>D</b>  x 1	<b>H</b> M6 x 15  x 1	<b>I</b> M6 x 40  x 2	<b>J</b>  x 1	<b>K</b>  x 3
--	---	---	--	--



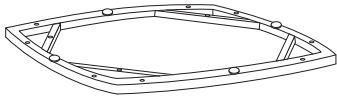
4 x 2

<b>I</b> M6 x 40  x 2	<b>J</b>  x 1	<b>K</b>  x 2
---	--	--



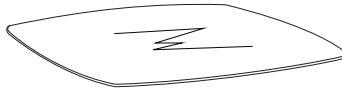
# B

E



x 1

F



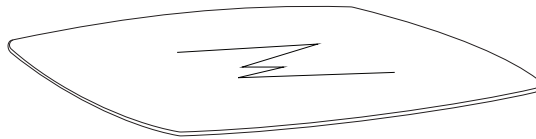
x 1

G

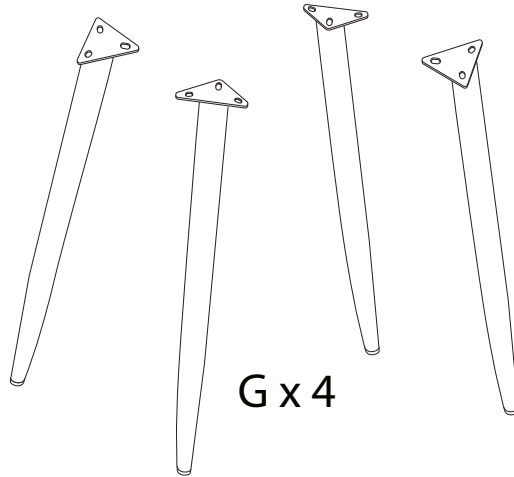
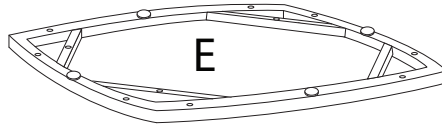


x 4

F

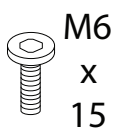


E



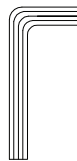
G x 4

H



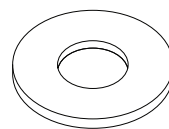
x 12

J



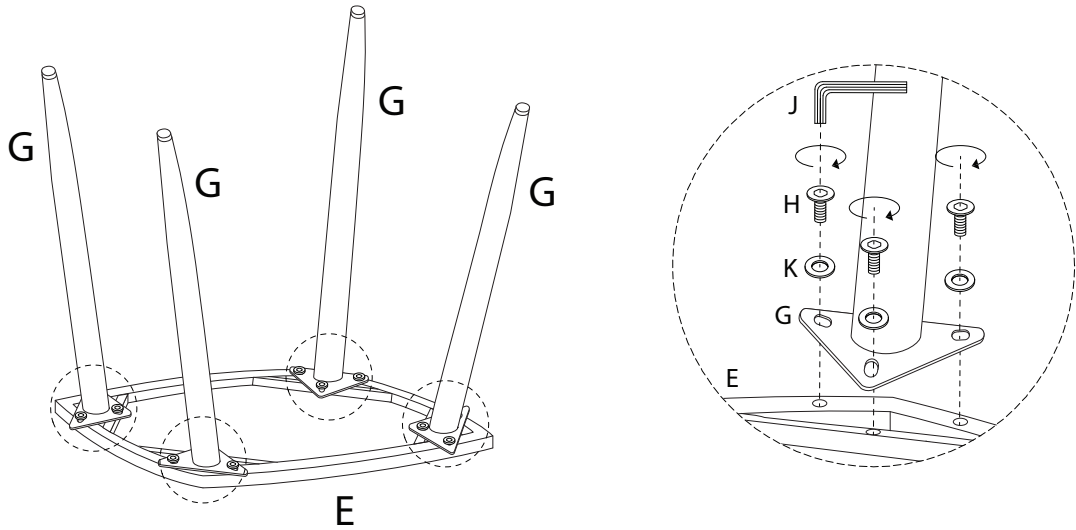
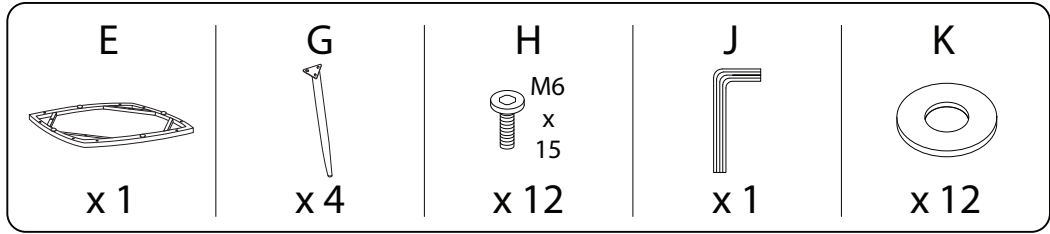
x 1

K



x 12

1



2

