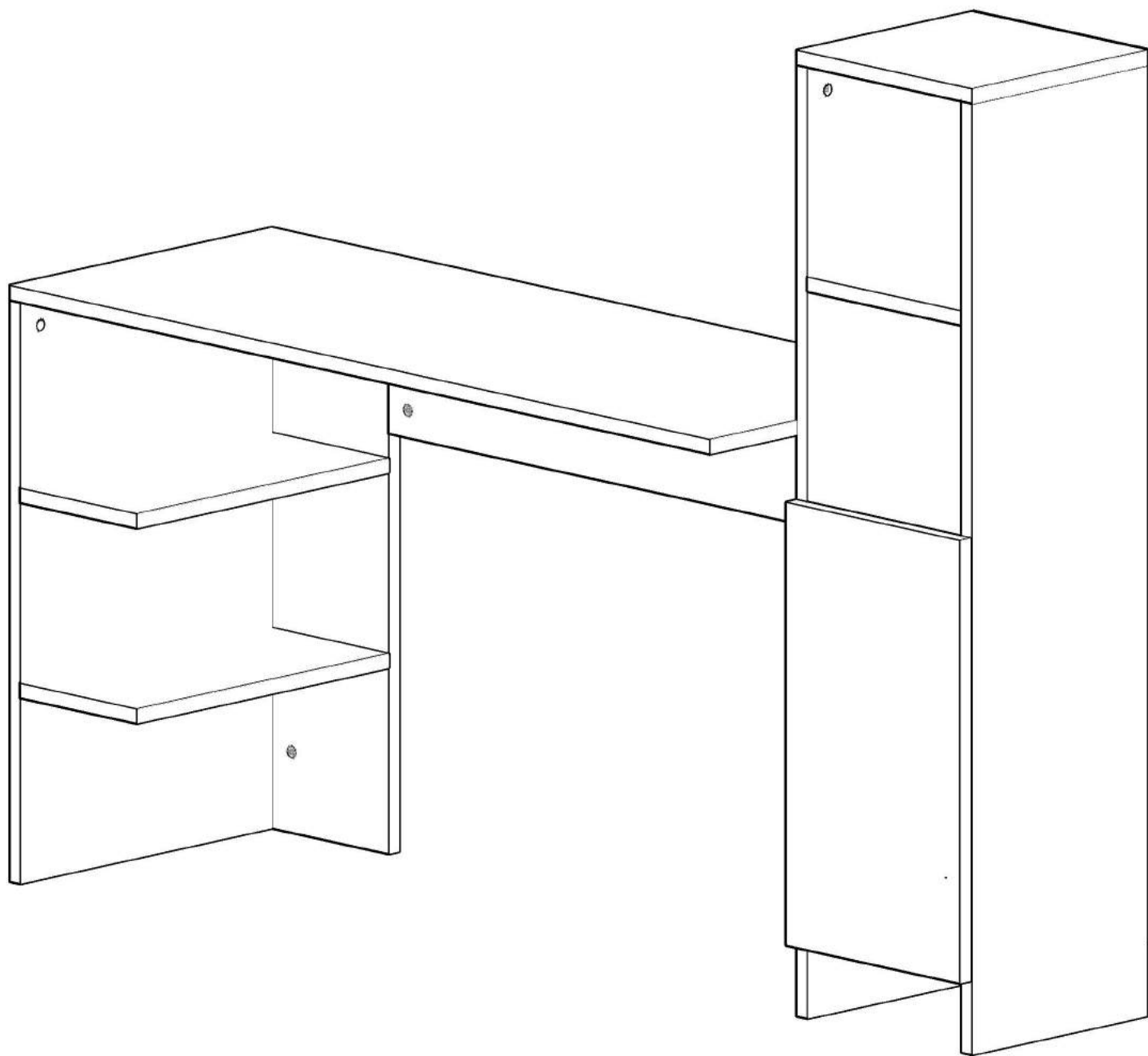
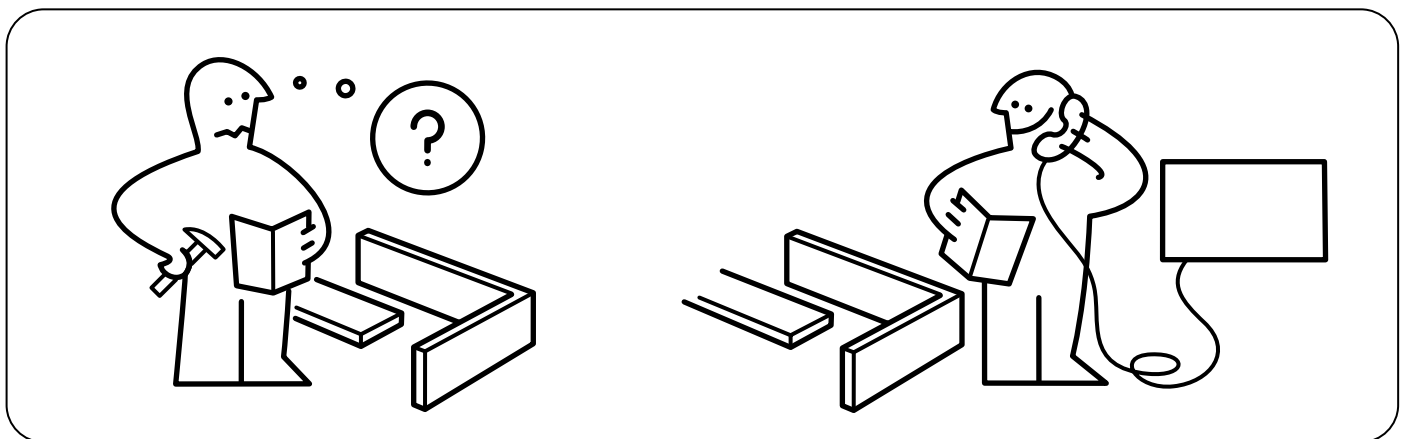
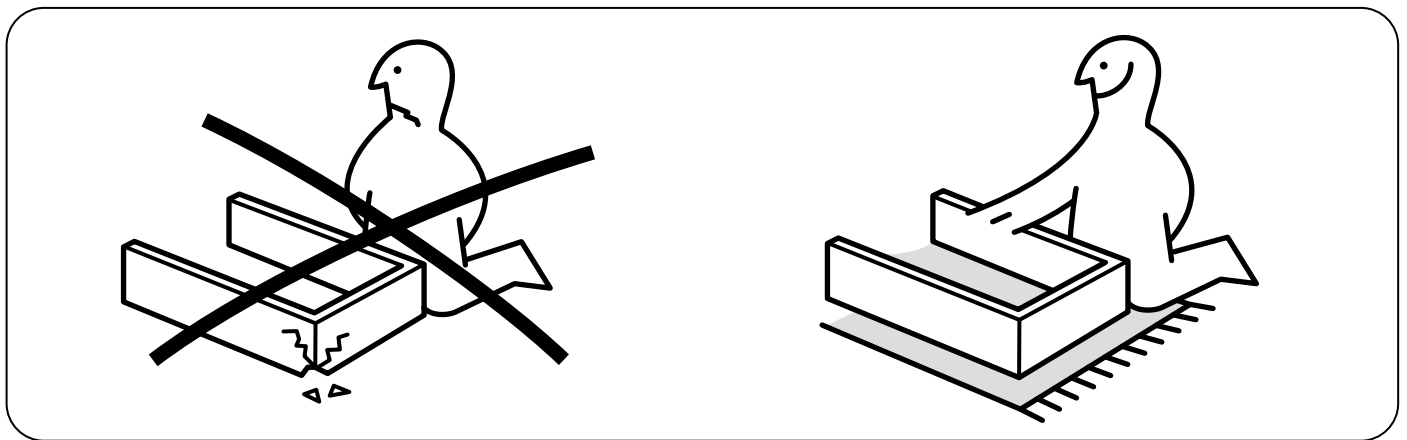
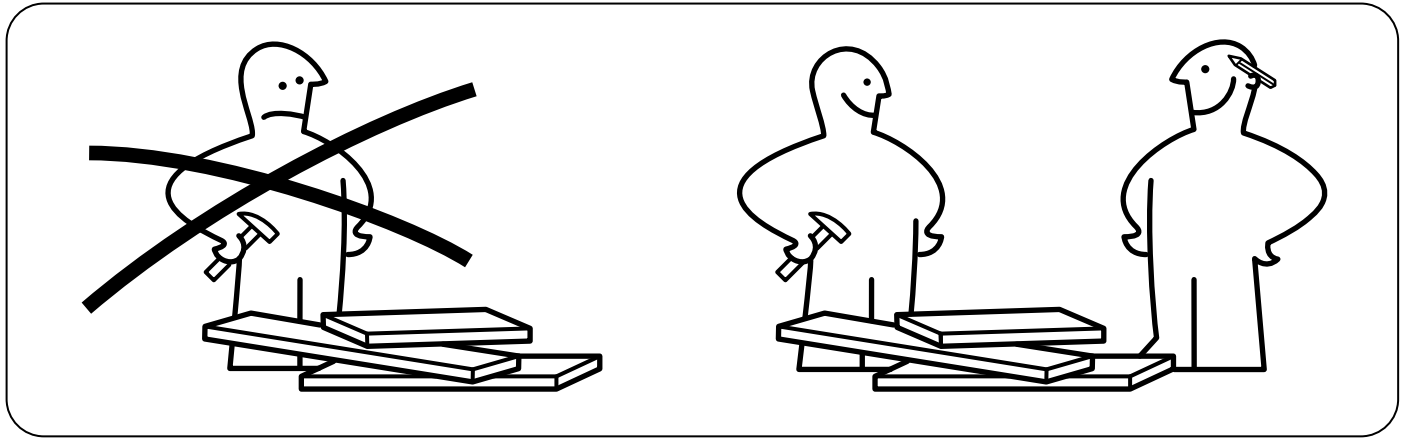
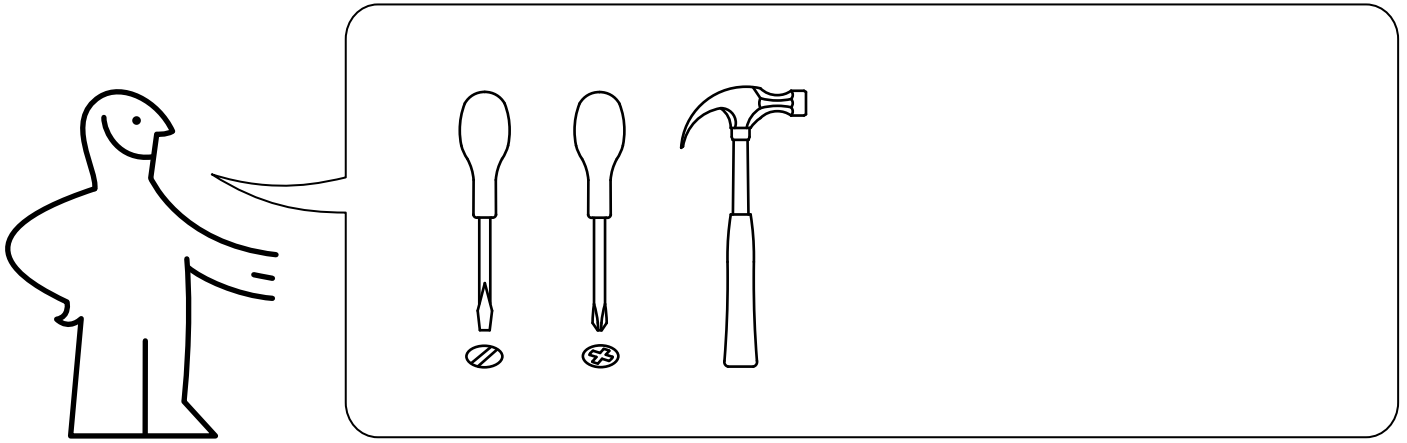


NAROCI







Dear Customer,

We design and produce our product for people to love and have fun with them as we do.

The product you bought was subjected to all sorts of tests and control before sending out to you.



Before start assembling, please check the whole components and accessories according to the lists. If you bought more than one product, to prevent confusion be sure that you completed the first product. Then start the other product's assembling.



Before start assembling, please clean all the components with a damp cloth. Also for usual cleaning, this will be enough.



Although all the products are produced and packed carefully, sometimes happen that some component is damaged during the transportation. In such a case please check the missing or damaged part and do not hesitate to contact us.

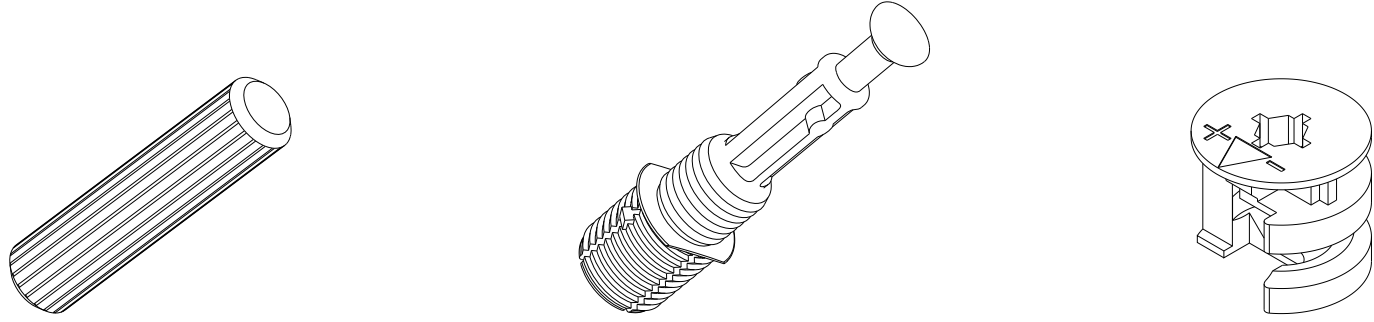


Do not use furniture for other purposes. If you would like to use it, please contact us for further questions. Do not directly contact your furniture with excessive heat, cold and humidity because the product can be affected.

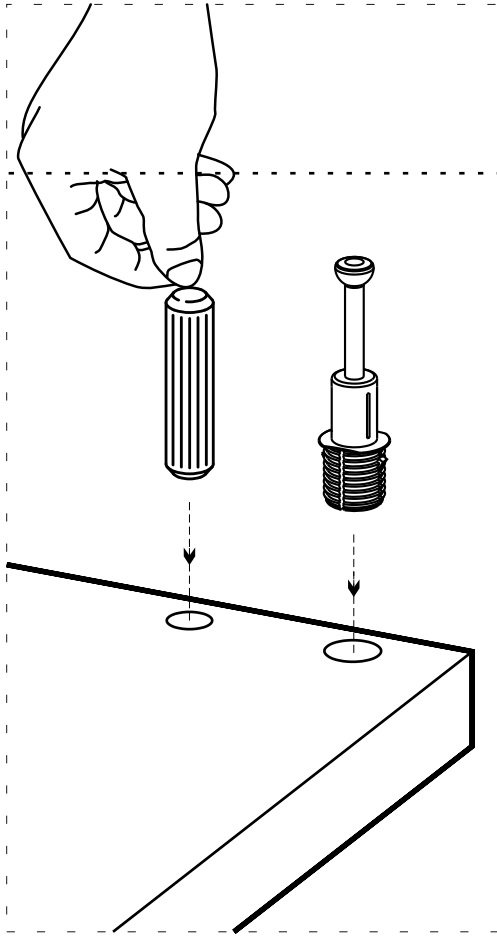


ATTENTION !!

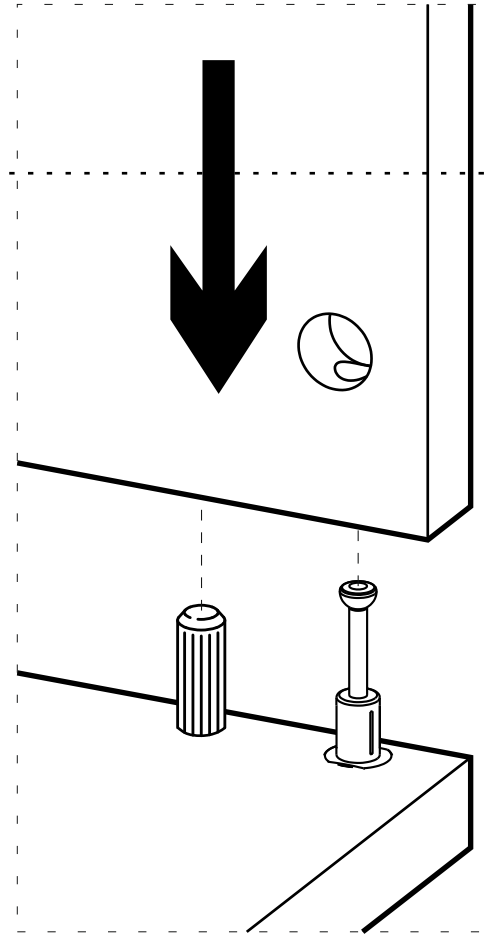
Minifix is the main connection material used in demoduler products. Before starting the assembly, please check the drawings below.



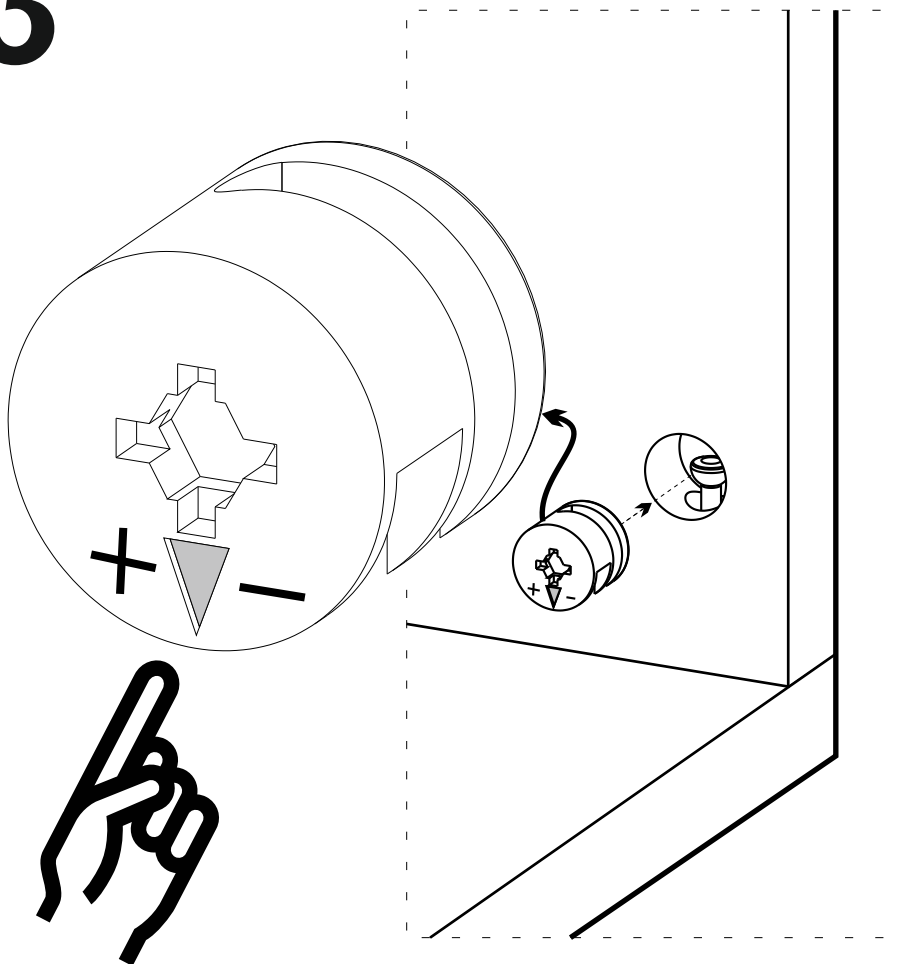
1



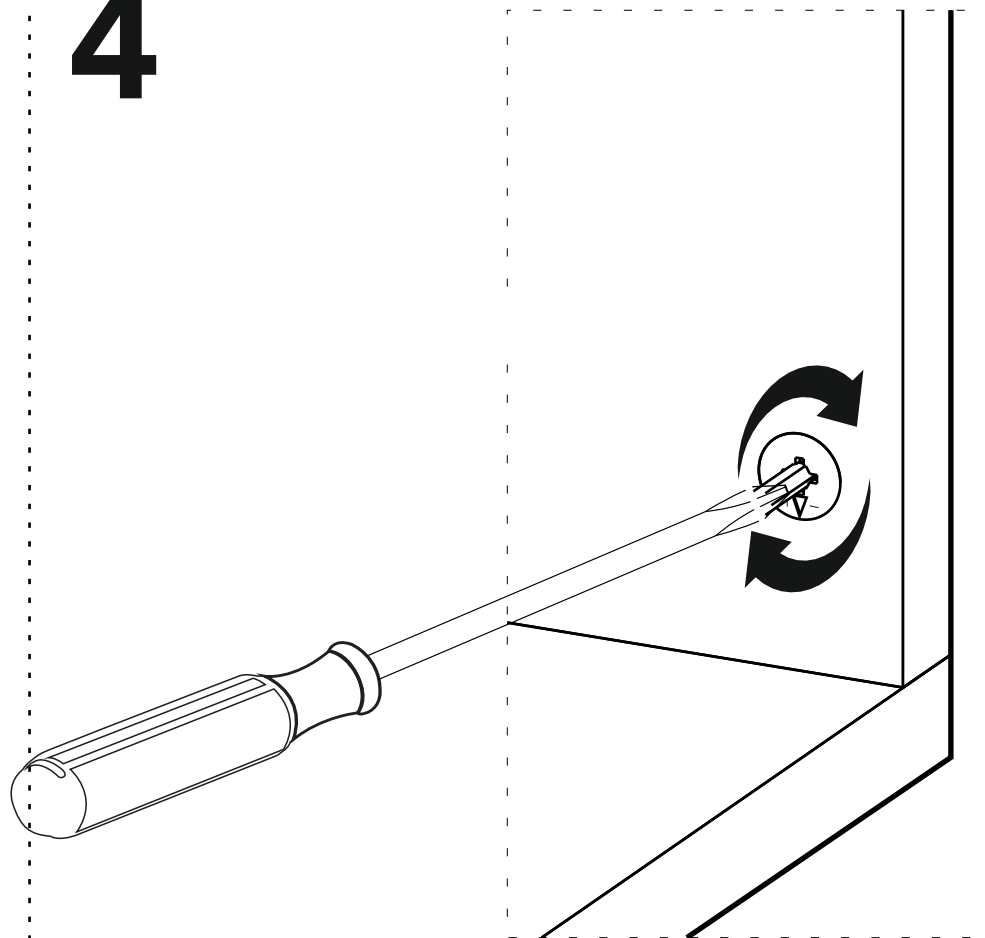
2

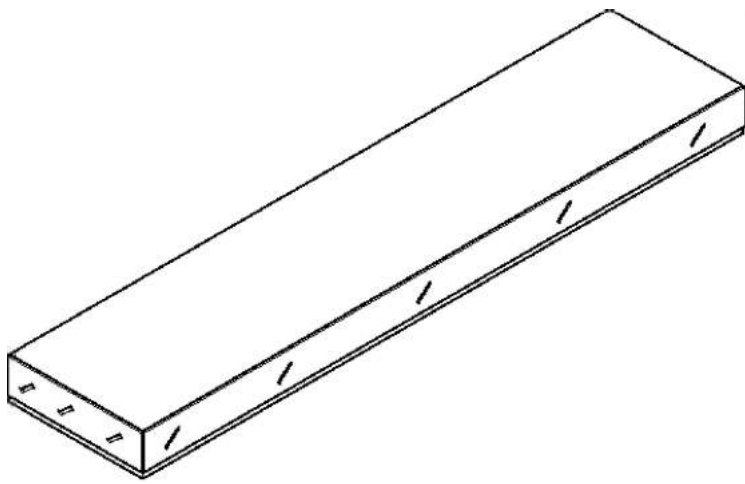


3



4

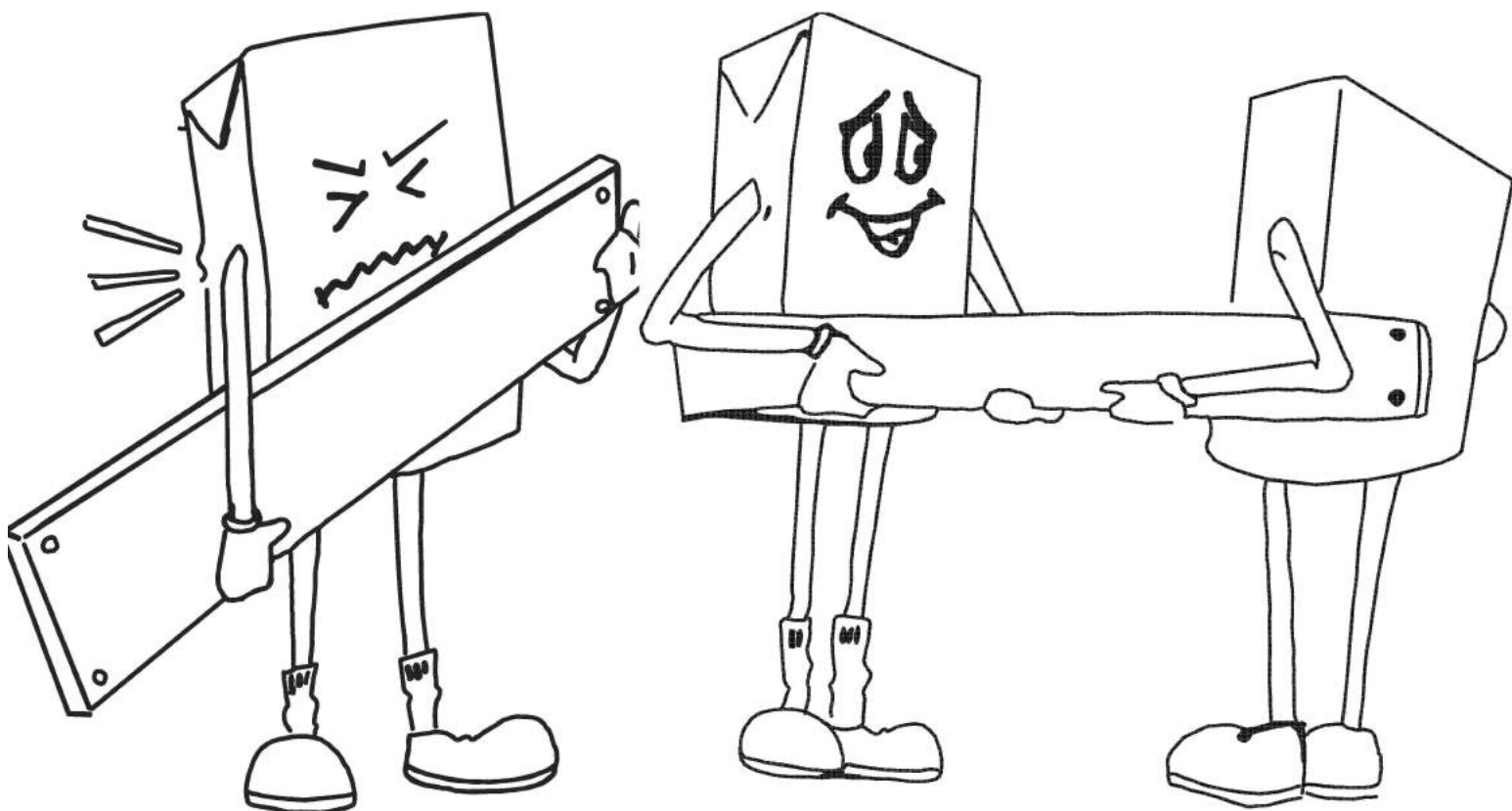




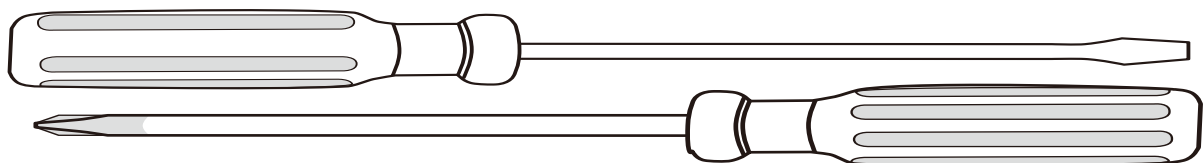
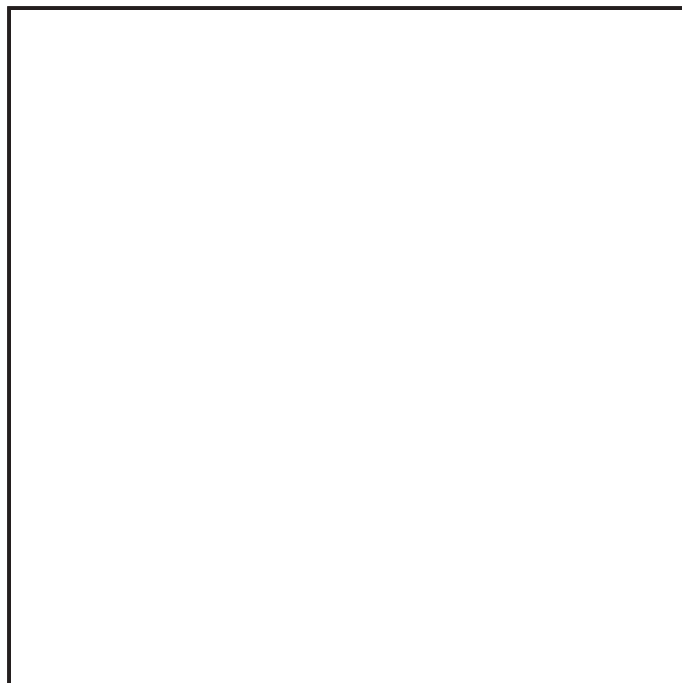
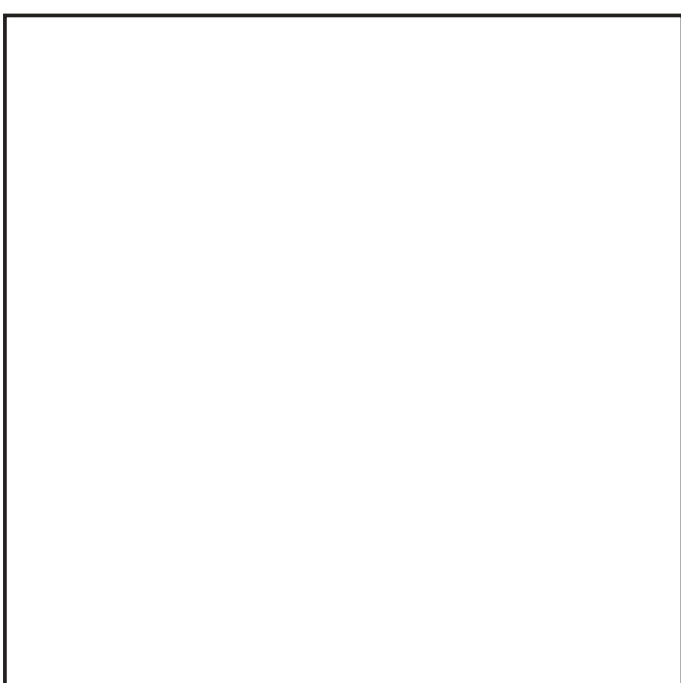
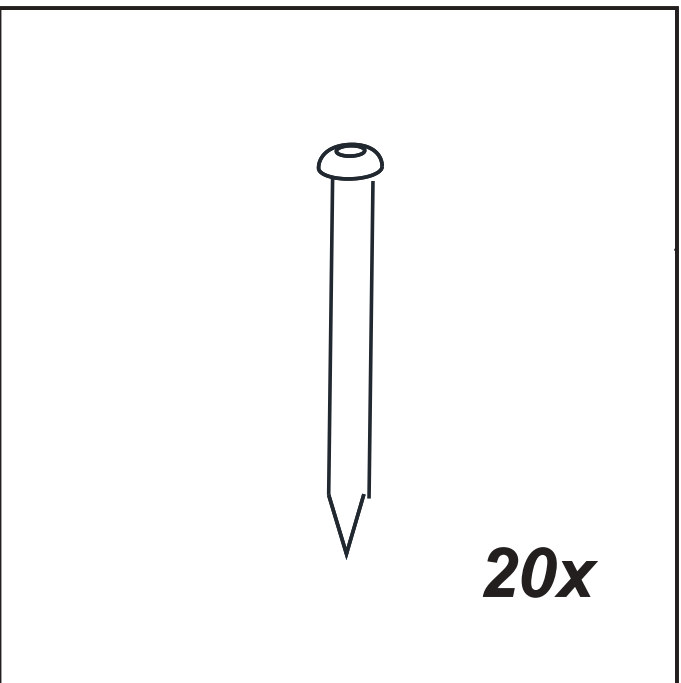
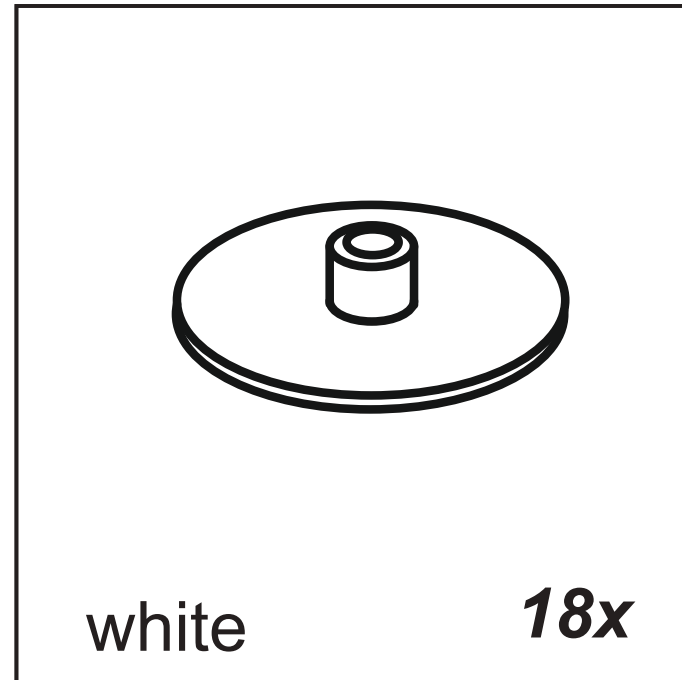
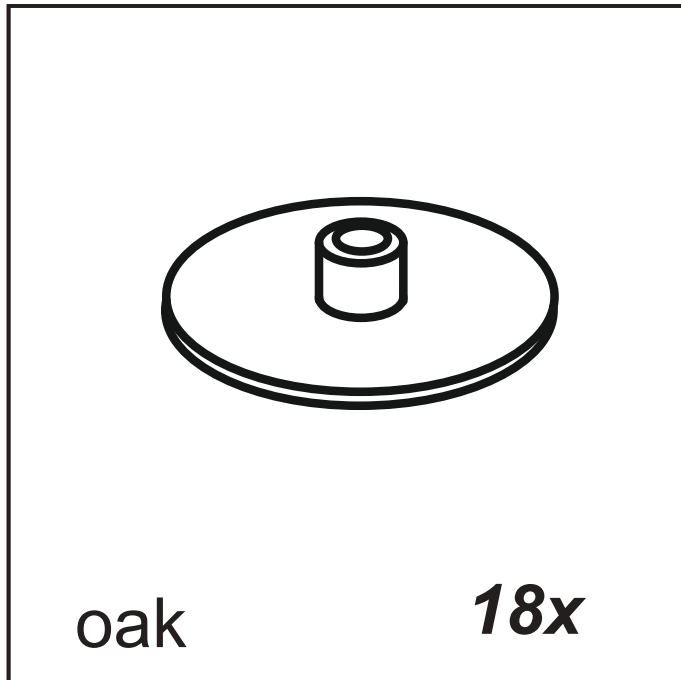
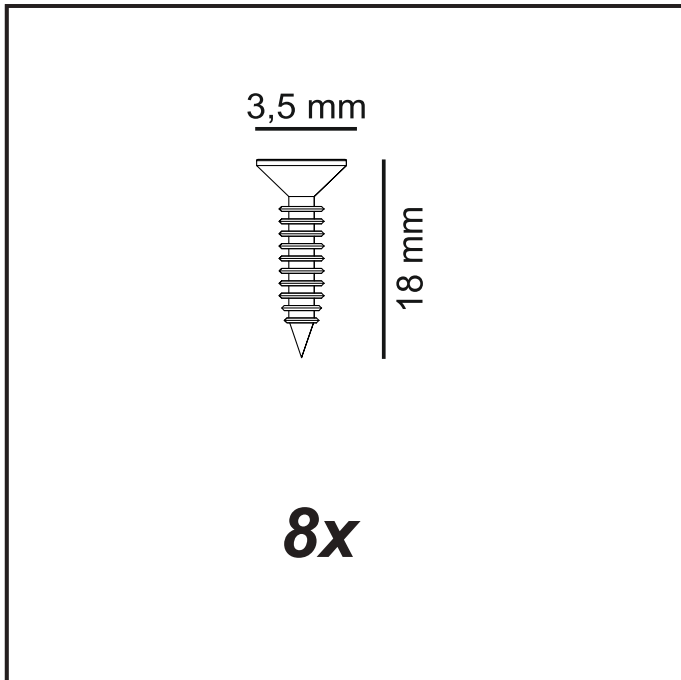
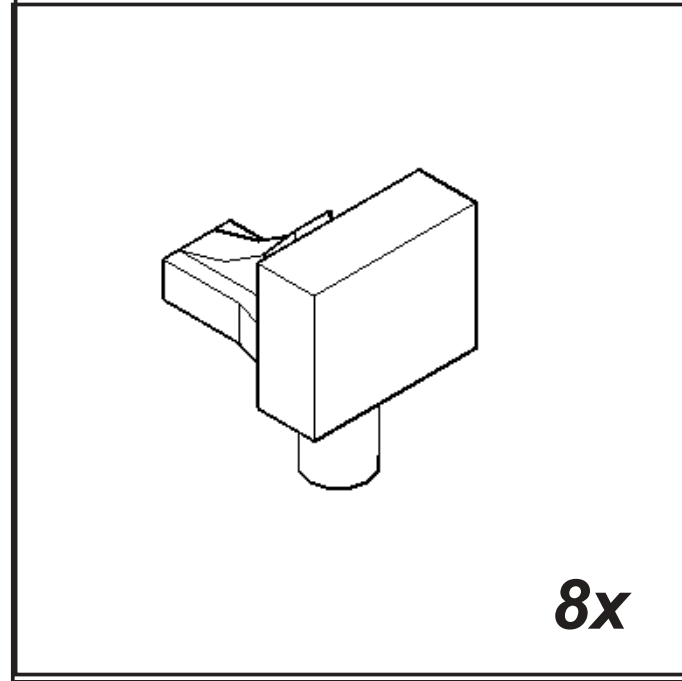
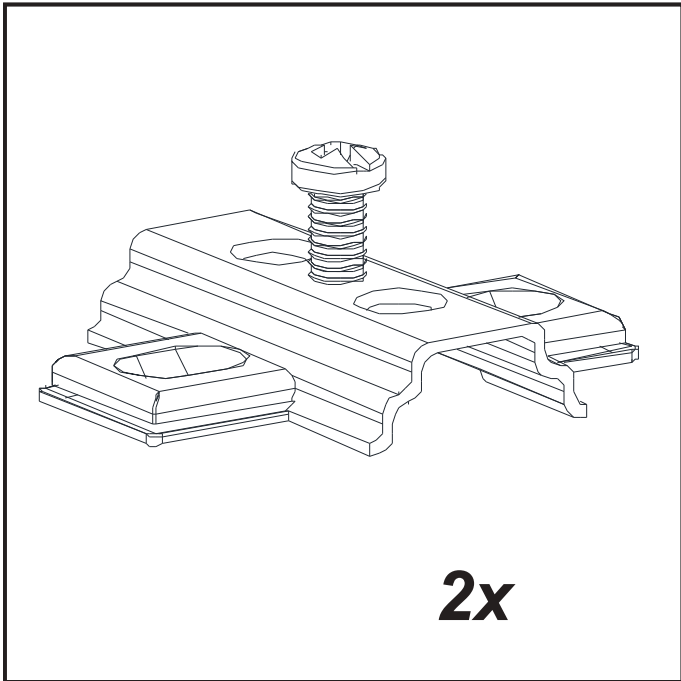
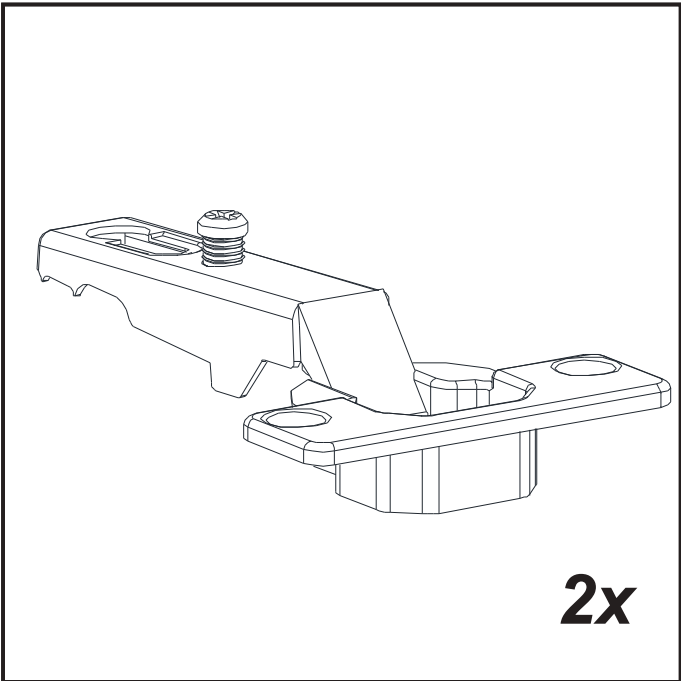
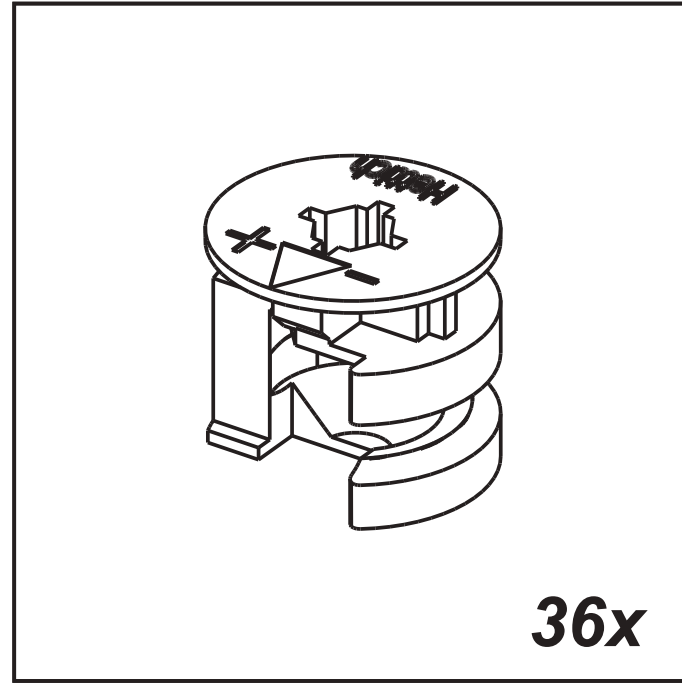
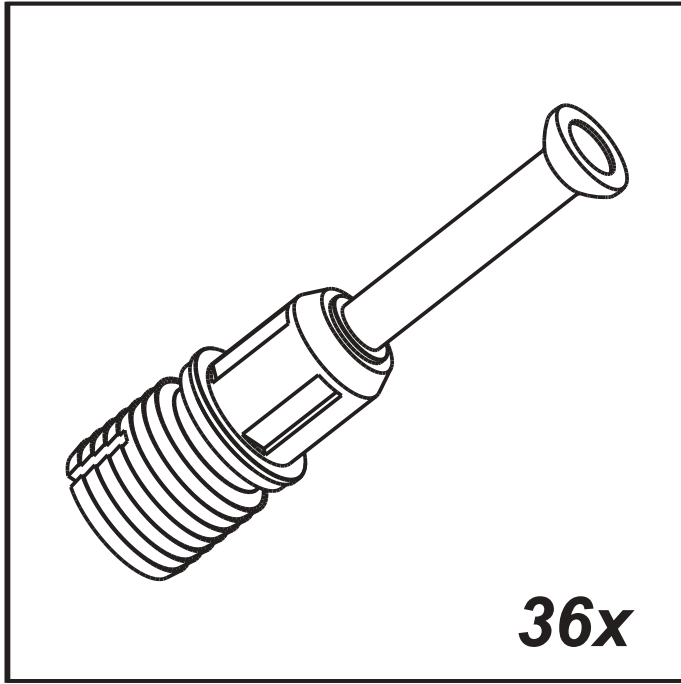
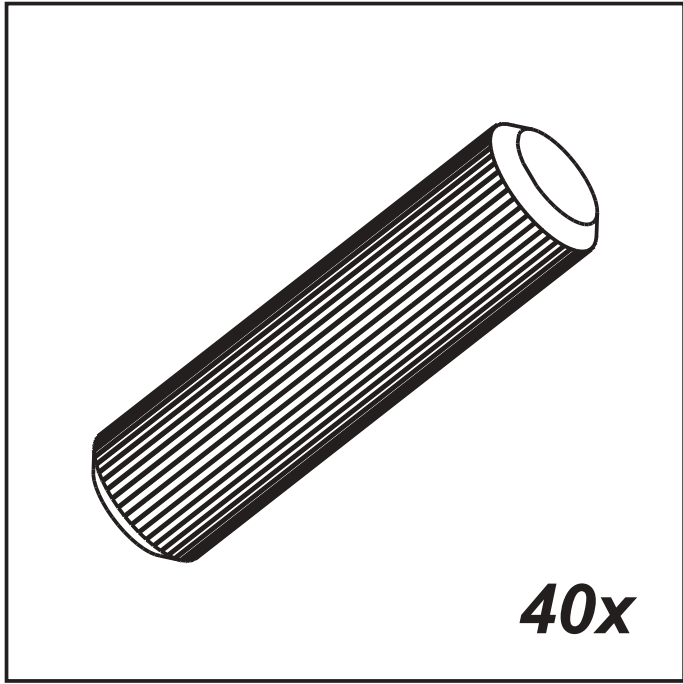
minute

Total 1 Package

1200 mm	450 mm	x	1	Number-1
722 mm	450 mm	x	1	Number-2
722 mm	200 mm	x	1	Number-3
430 mm	200 mm	x	2	Number-4-5
982 mm	200 mm	x	1	Number-6
300 mm	300 mm	x	1	Number-12
1182 mm	300 mm	x	2	Number-7-8
264 mm	298 mm	x	3	Number-9-10-11
264 mm	290 mm	x	1	Shelf
550 mm	297 mm	x	1	Cover

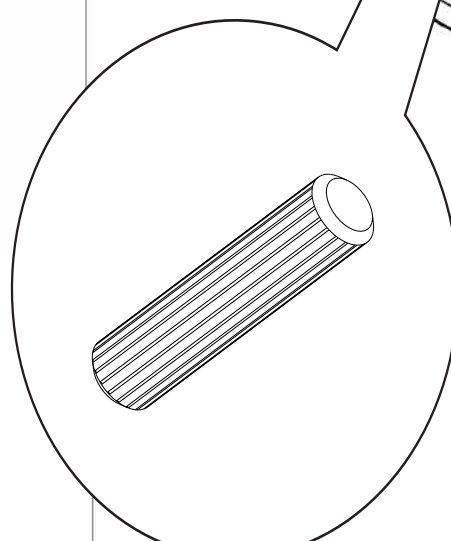
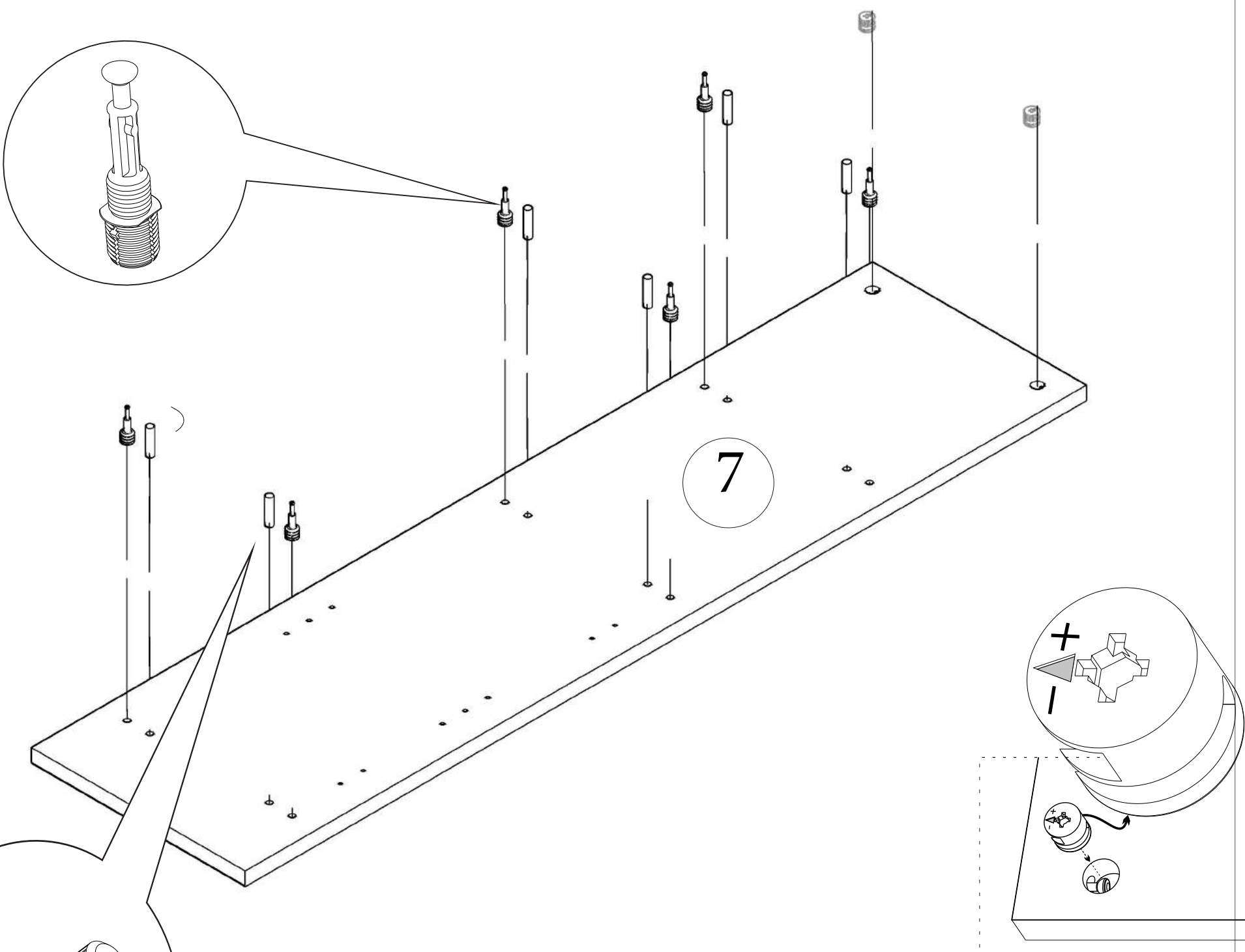


Accessory Parts

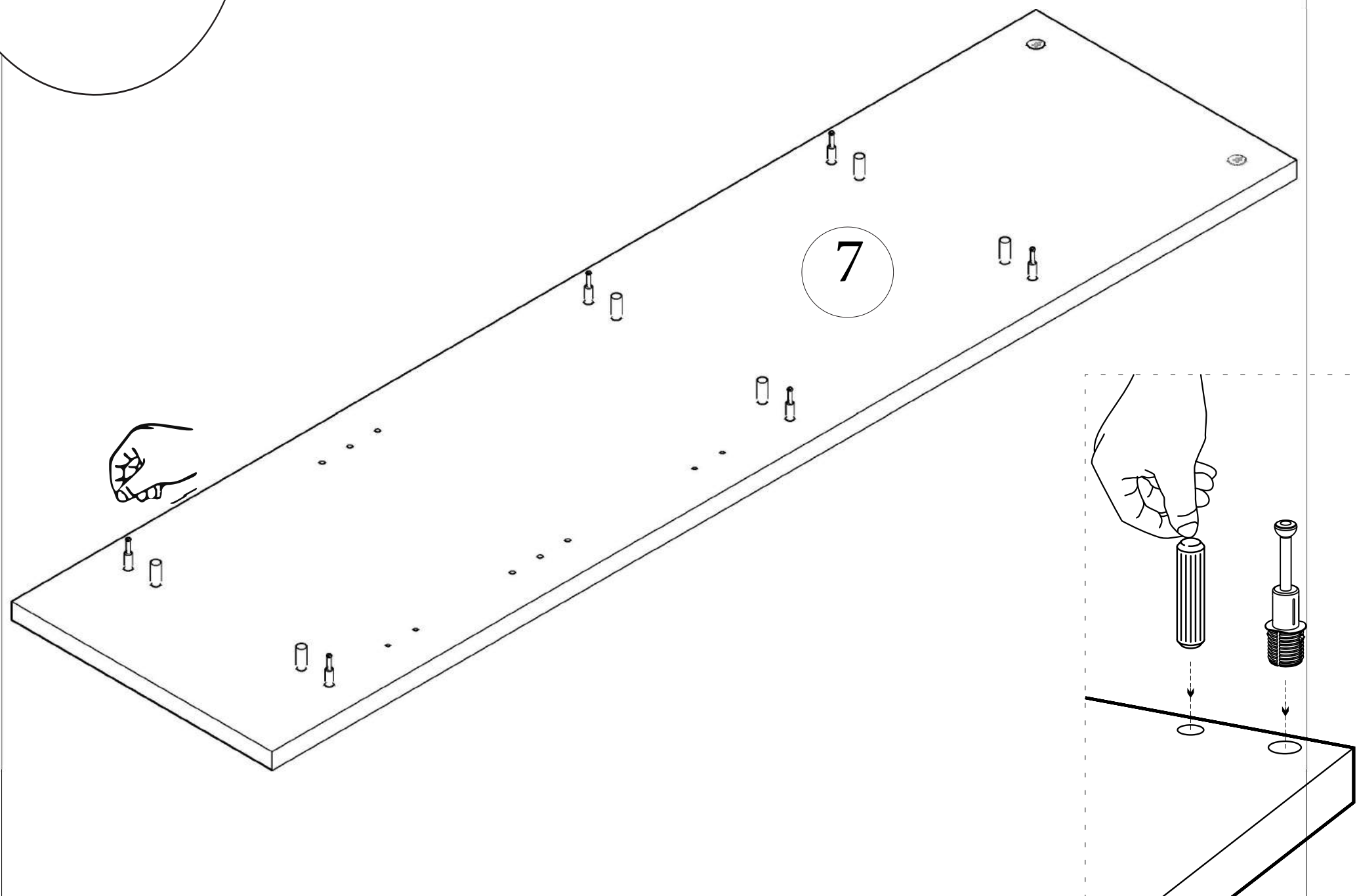


Phillips & Flathead screwdrivers required.
For quicker assembly, we recommend the use of a power drill on a low-speed setting.

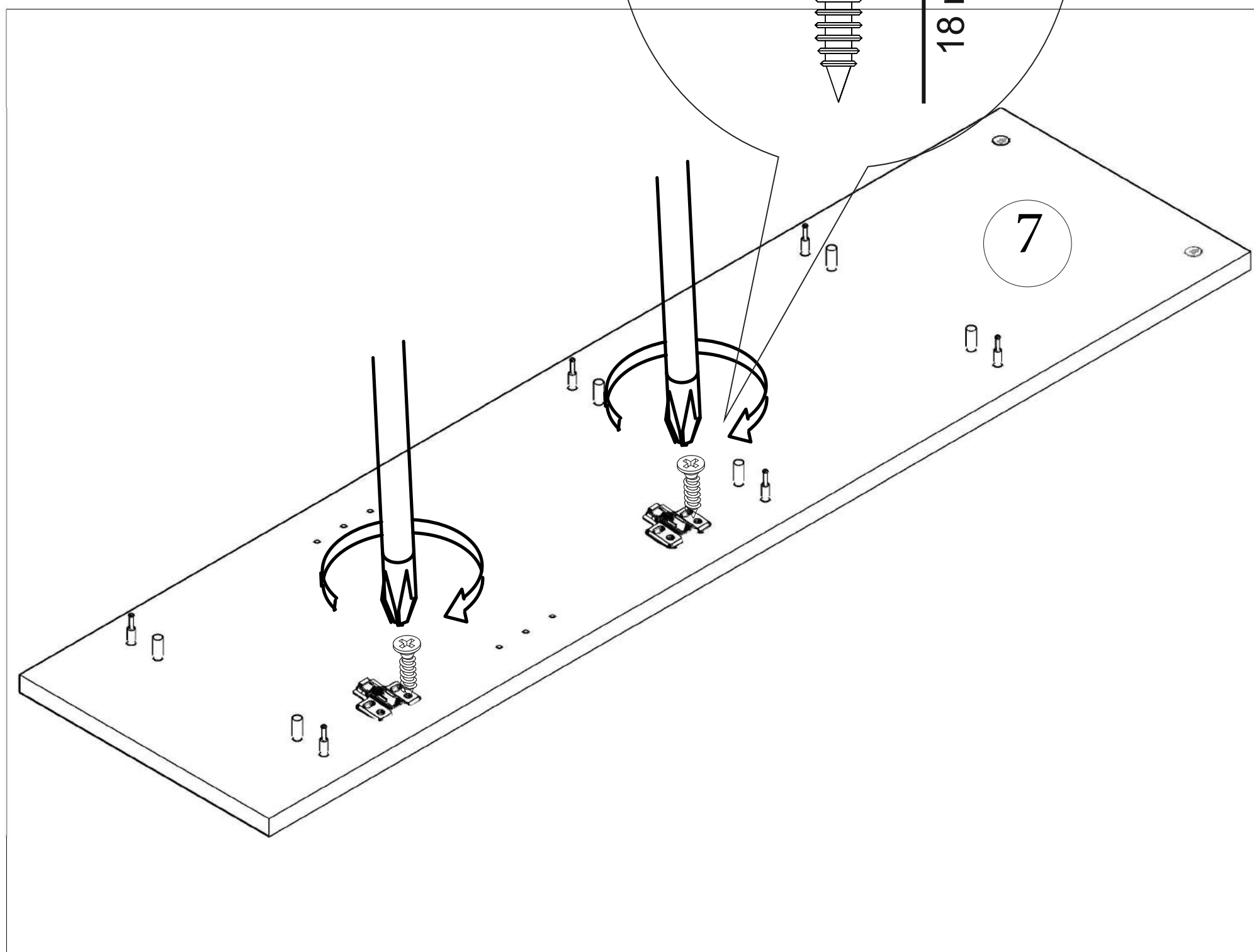
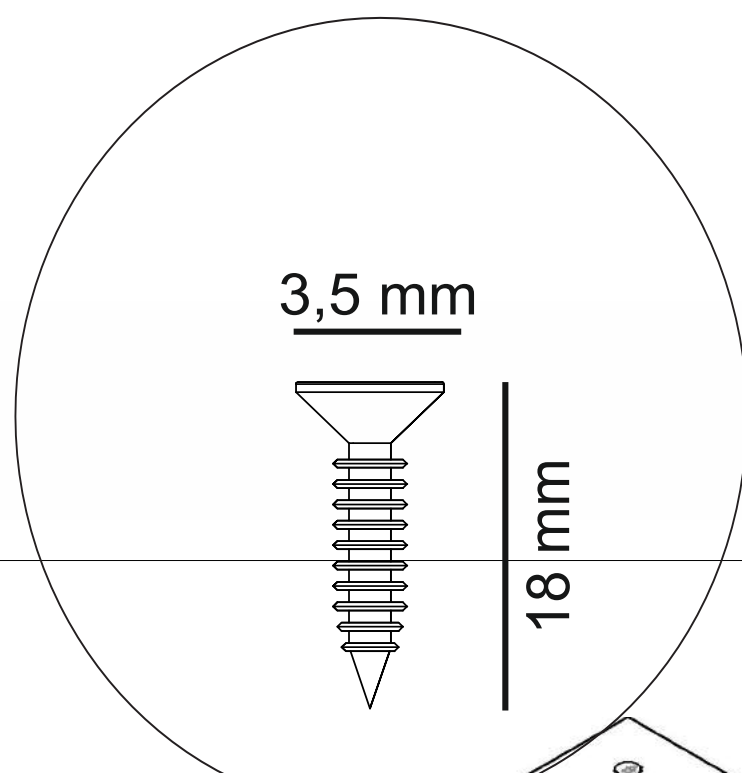
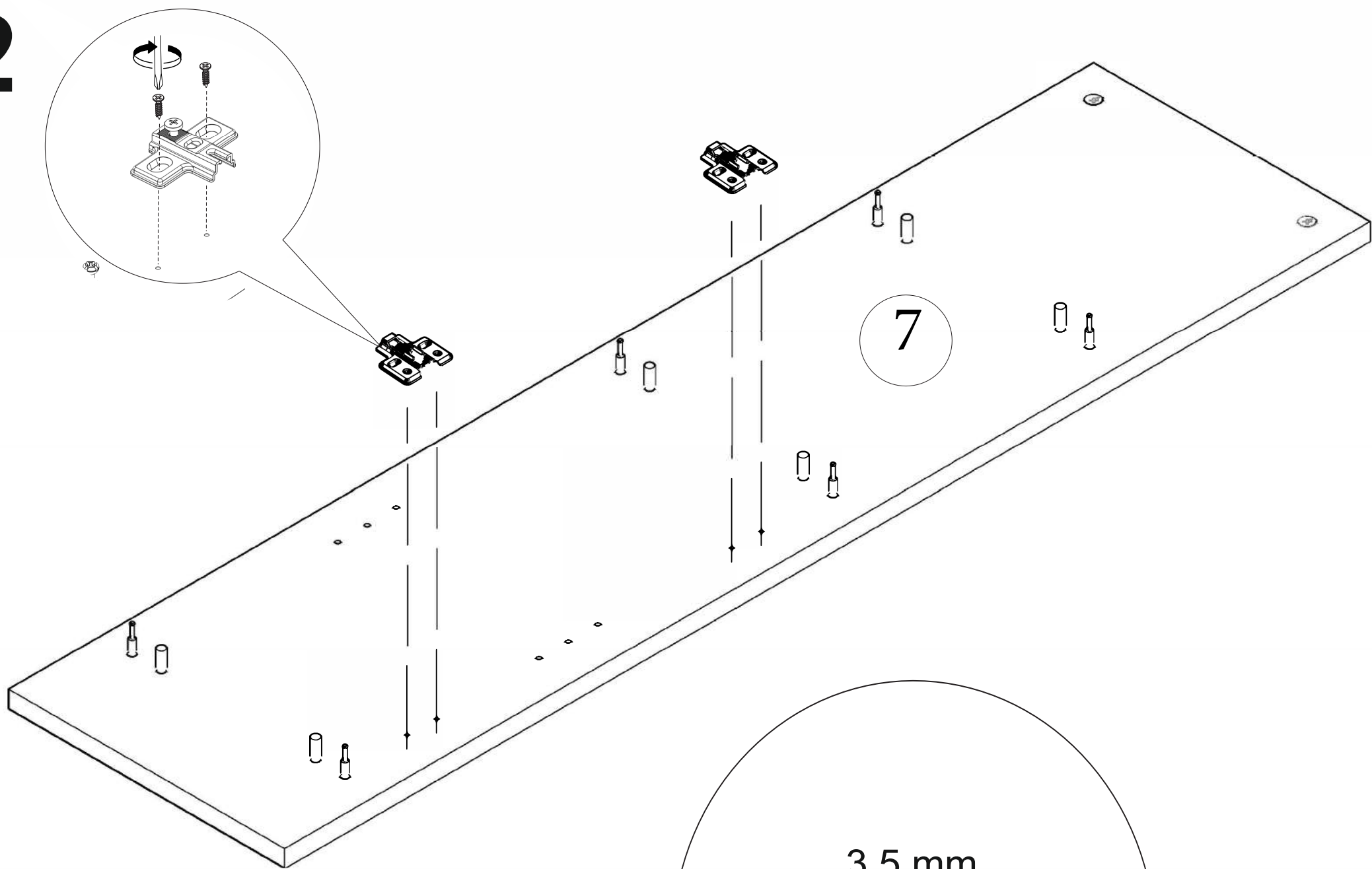
1



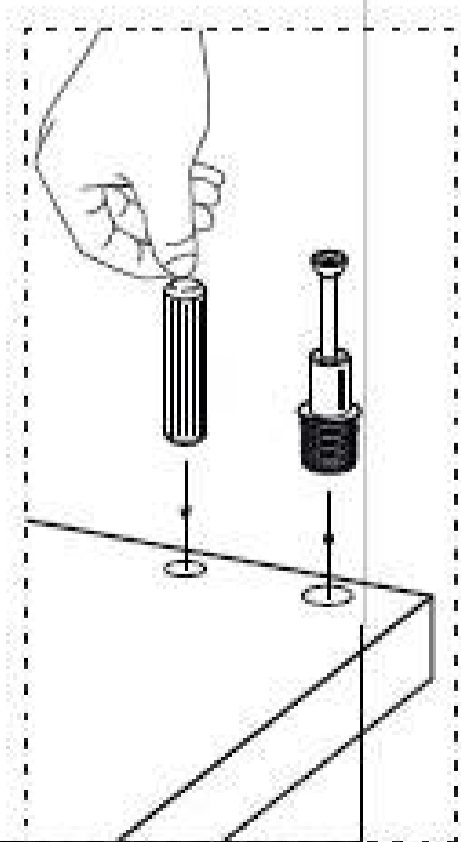
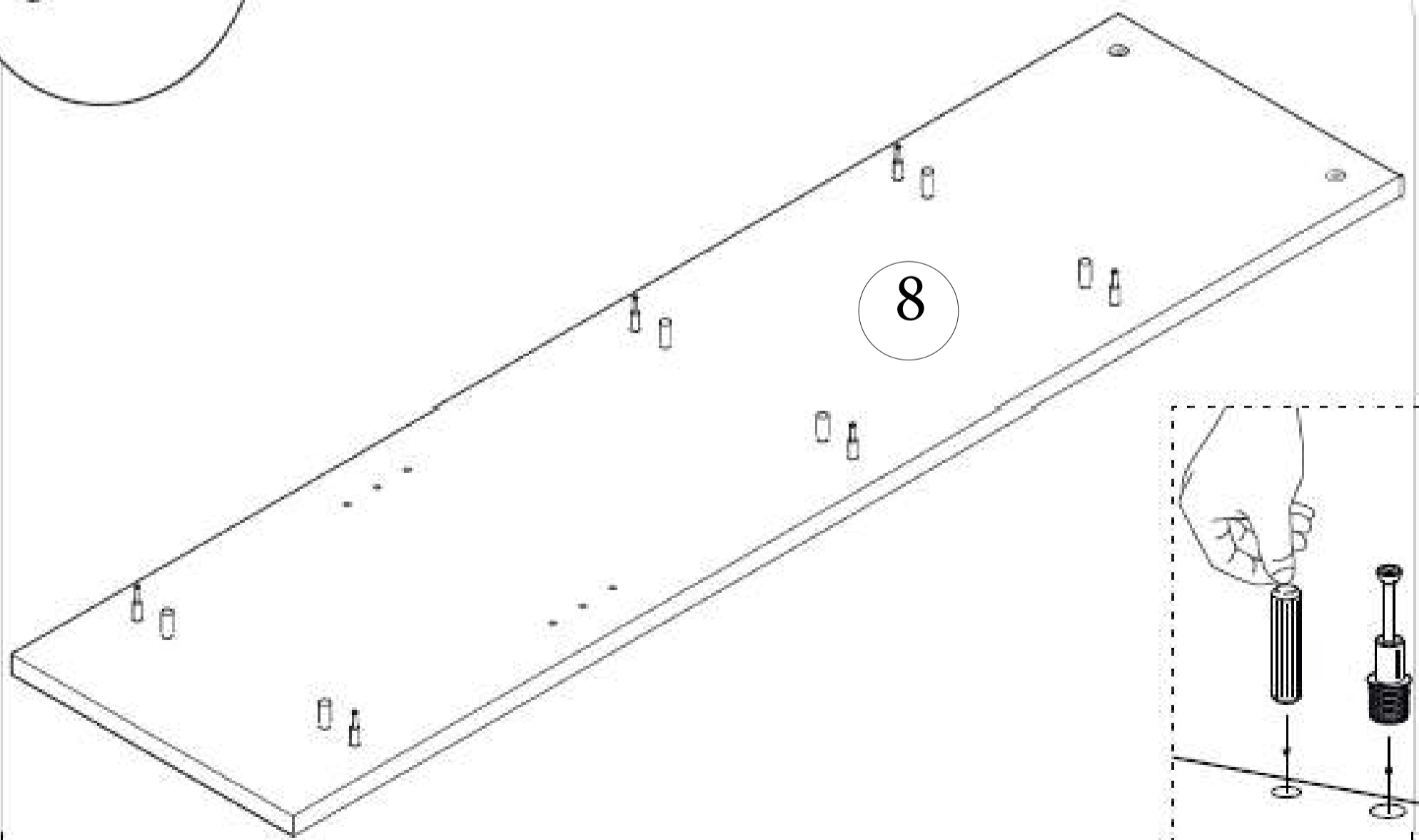
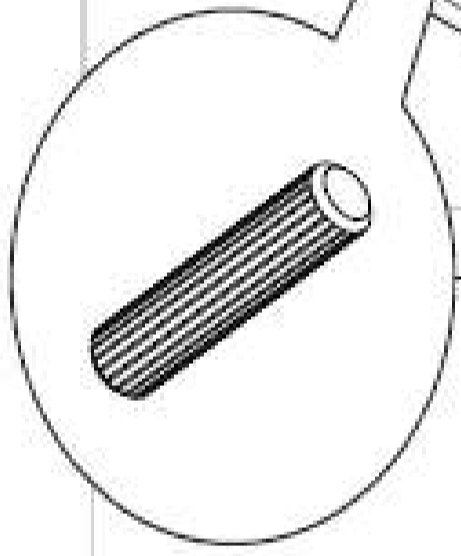
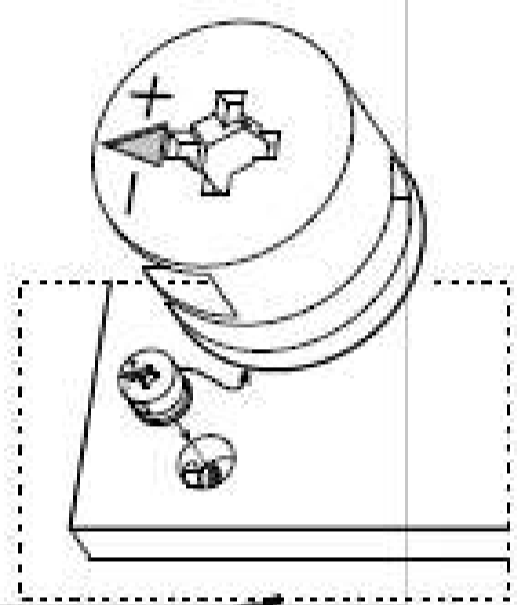
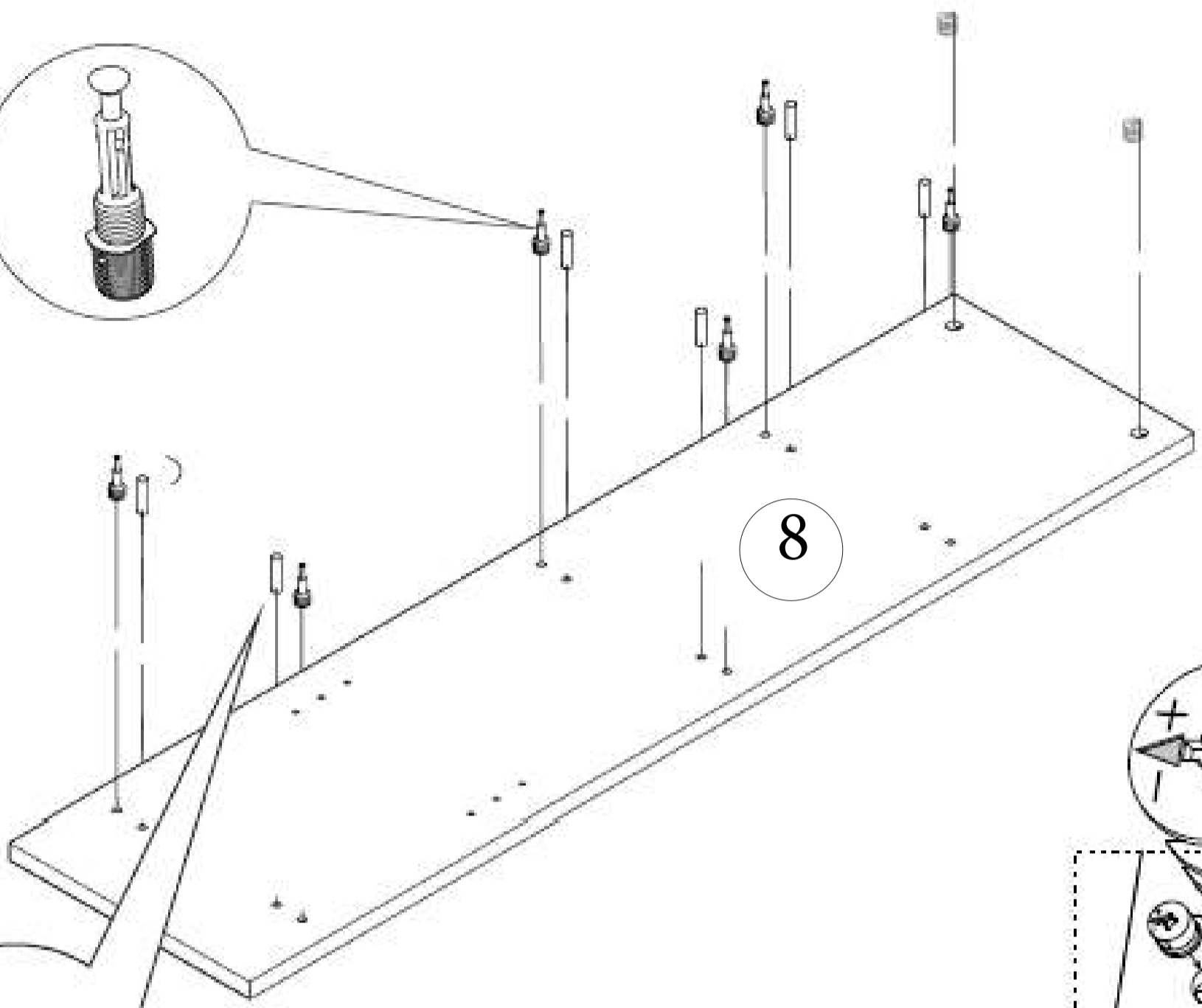
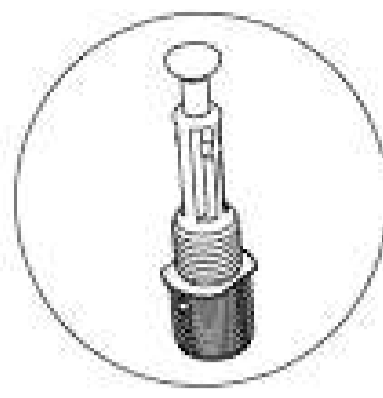
Hand



2

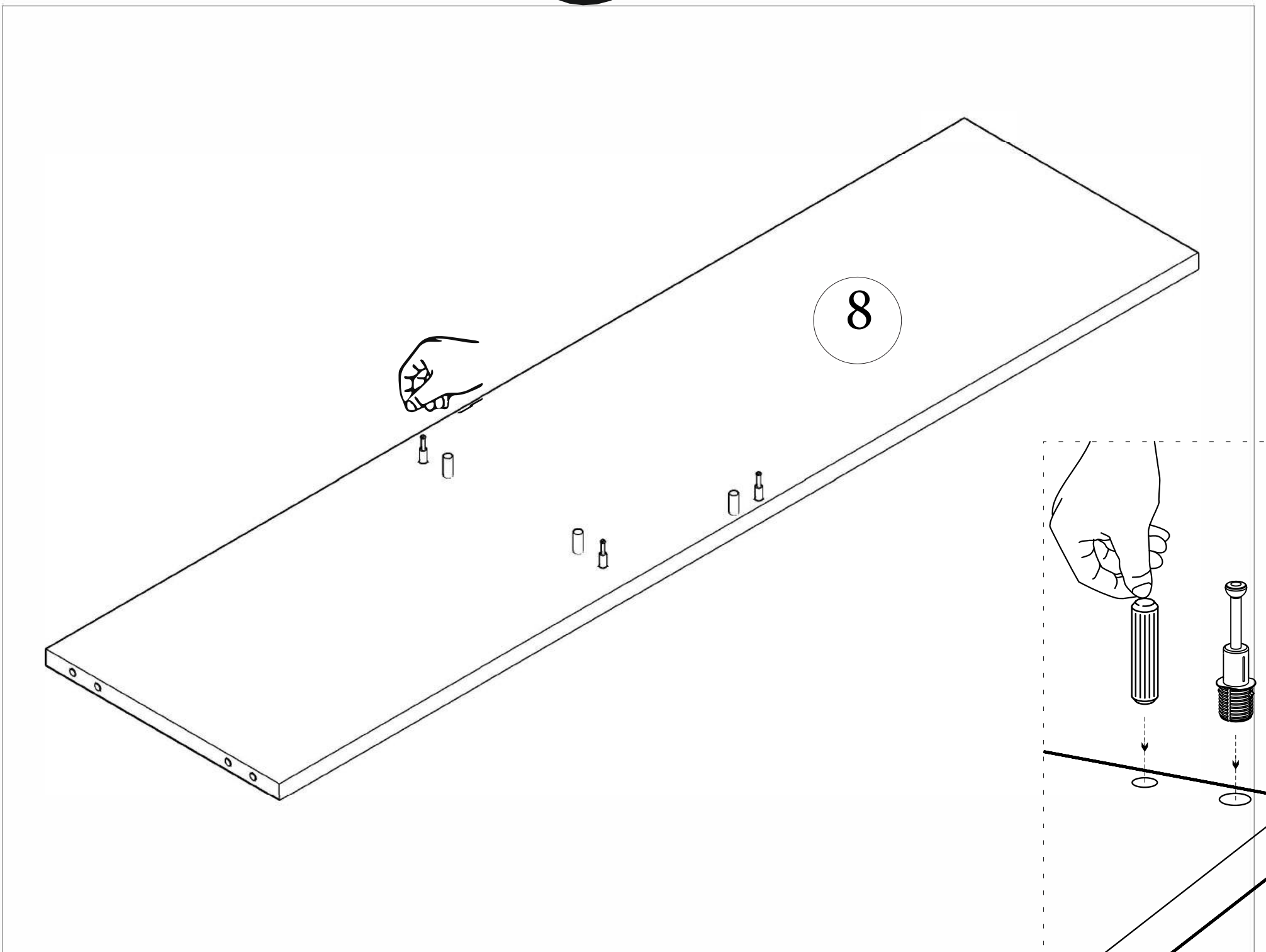
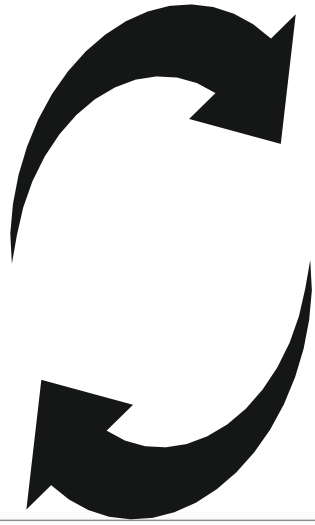
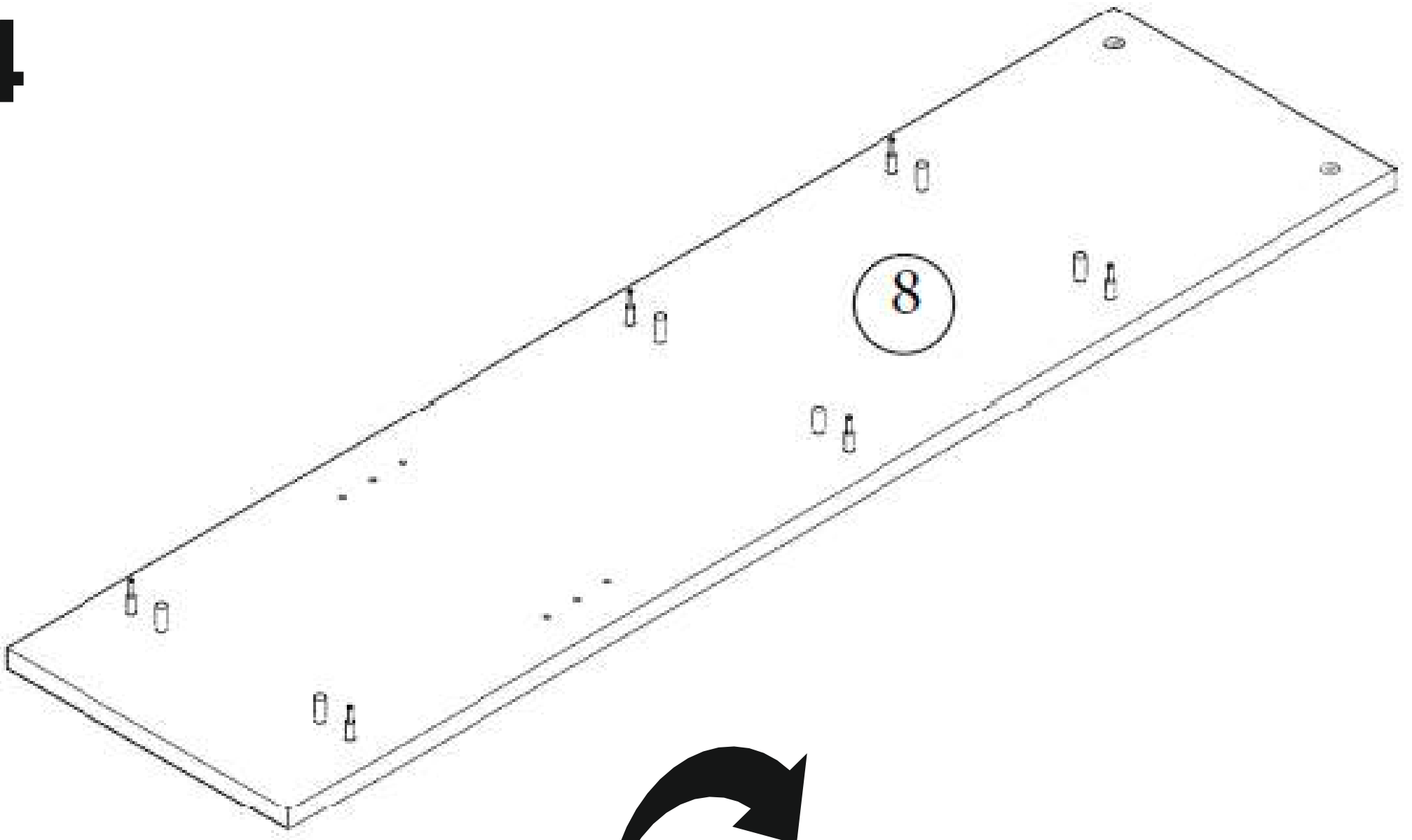


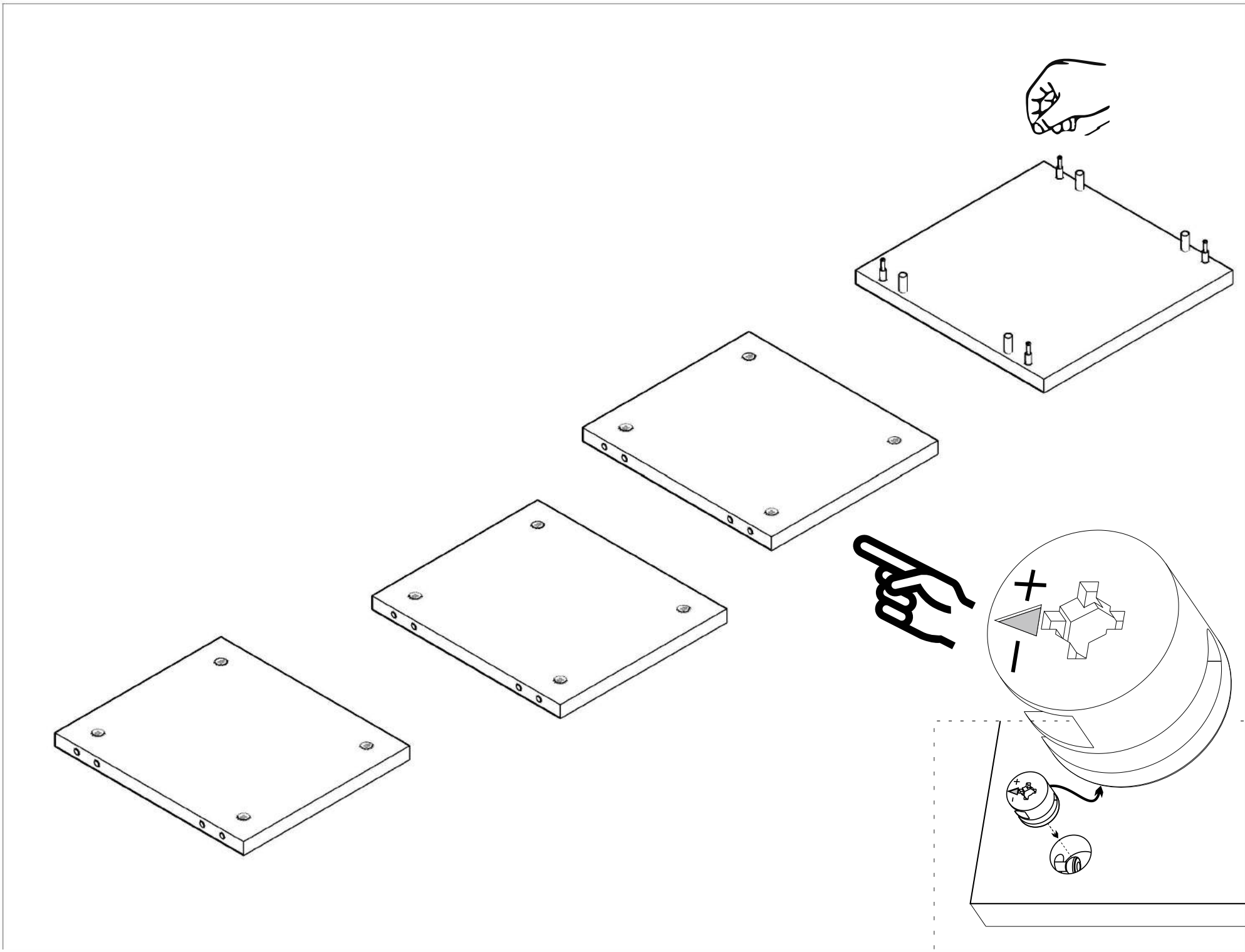
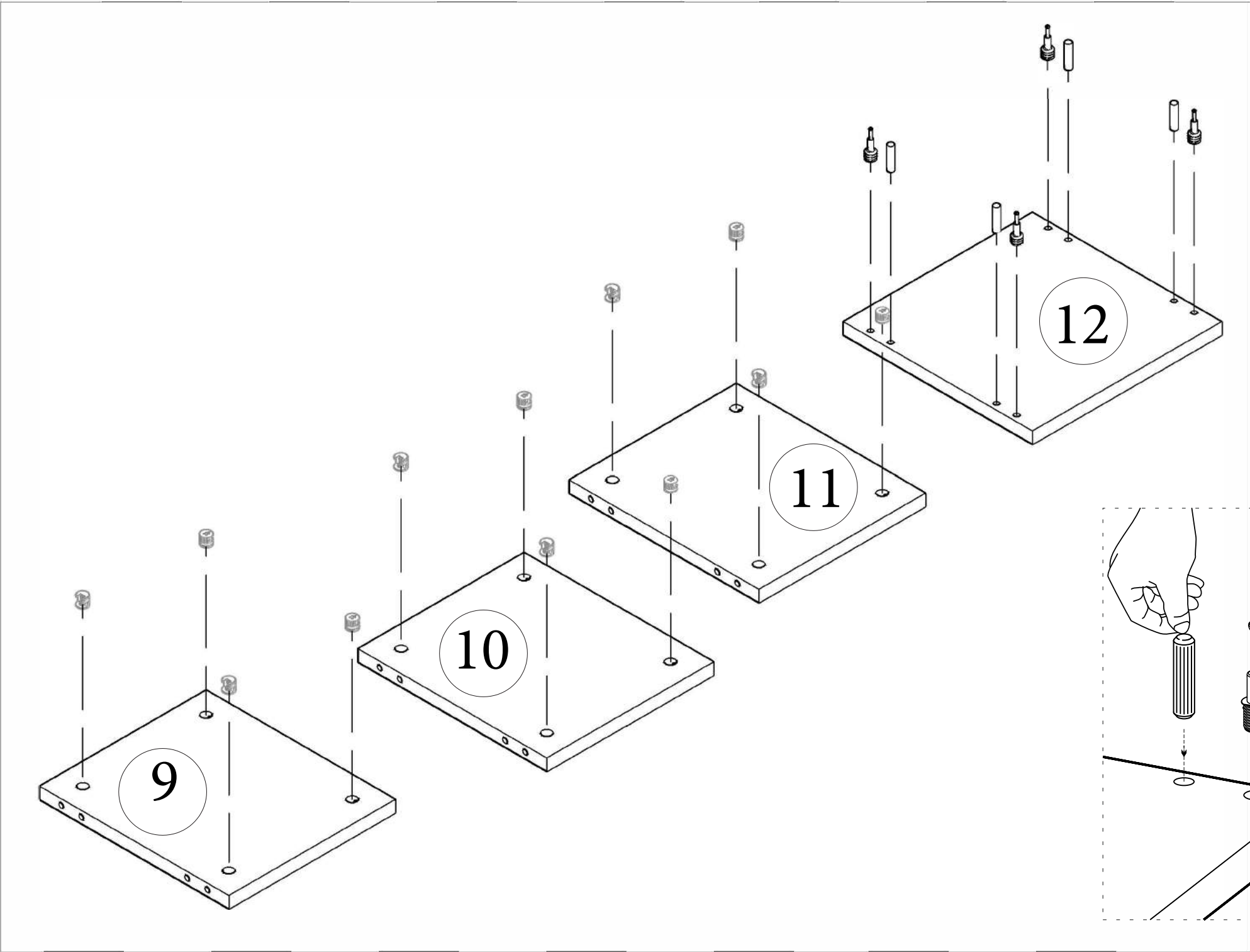
3



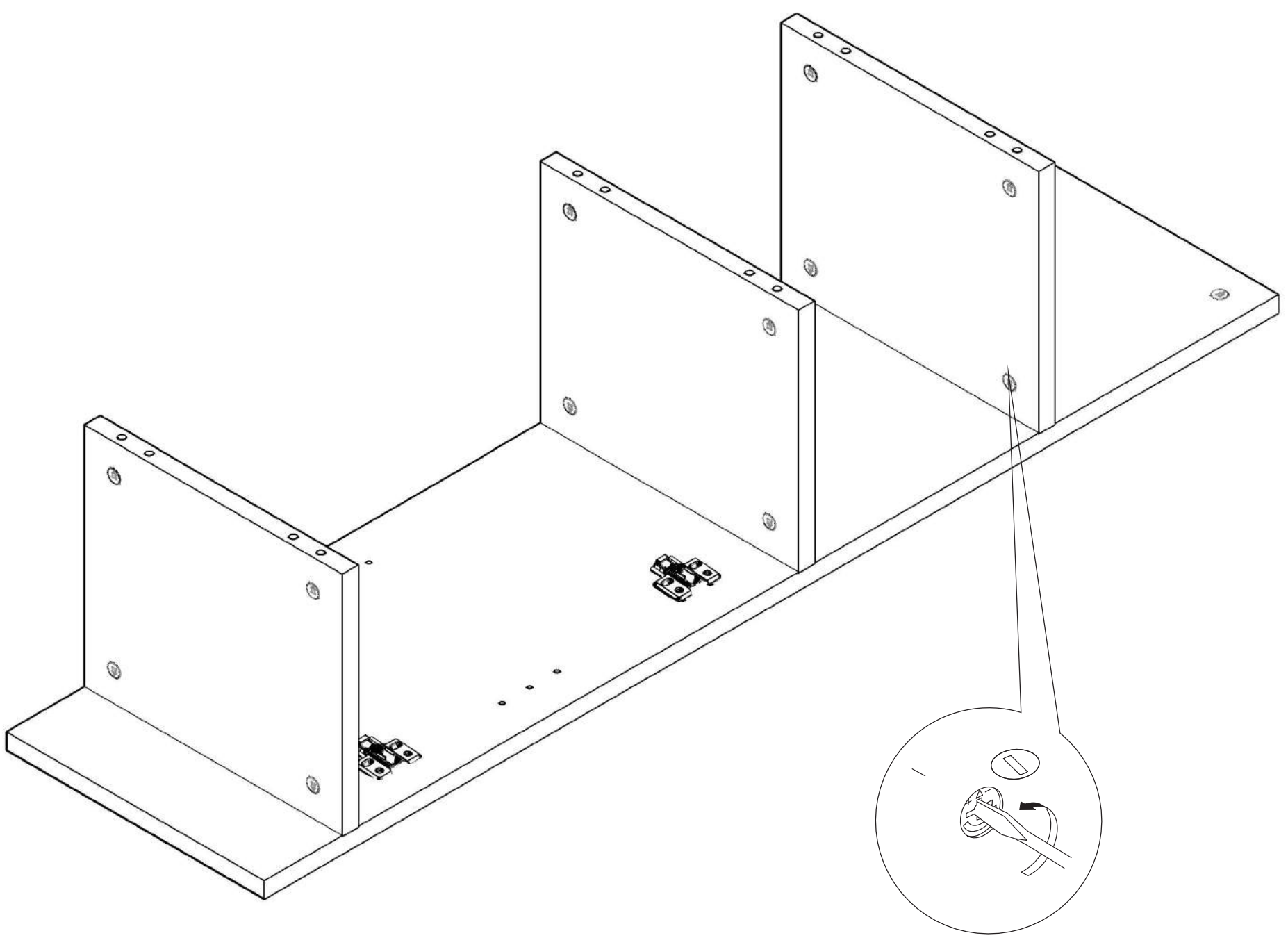
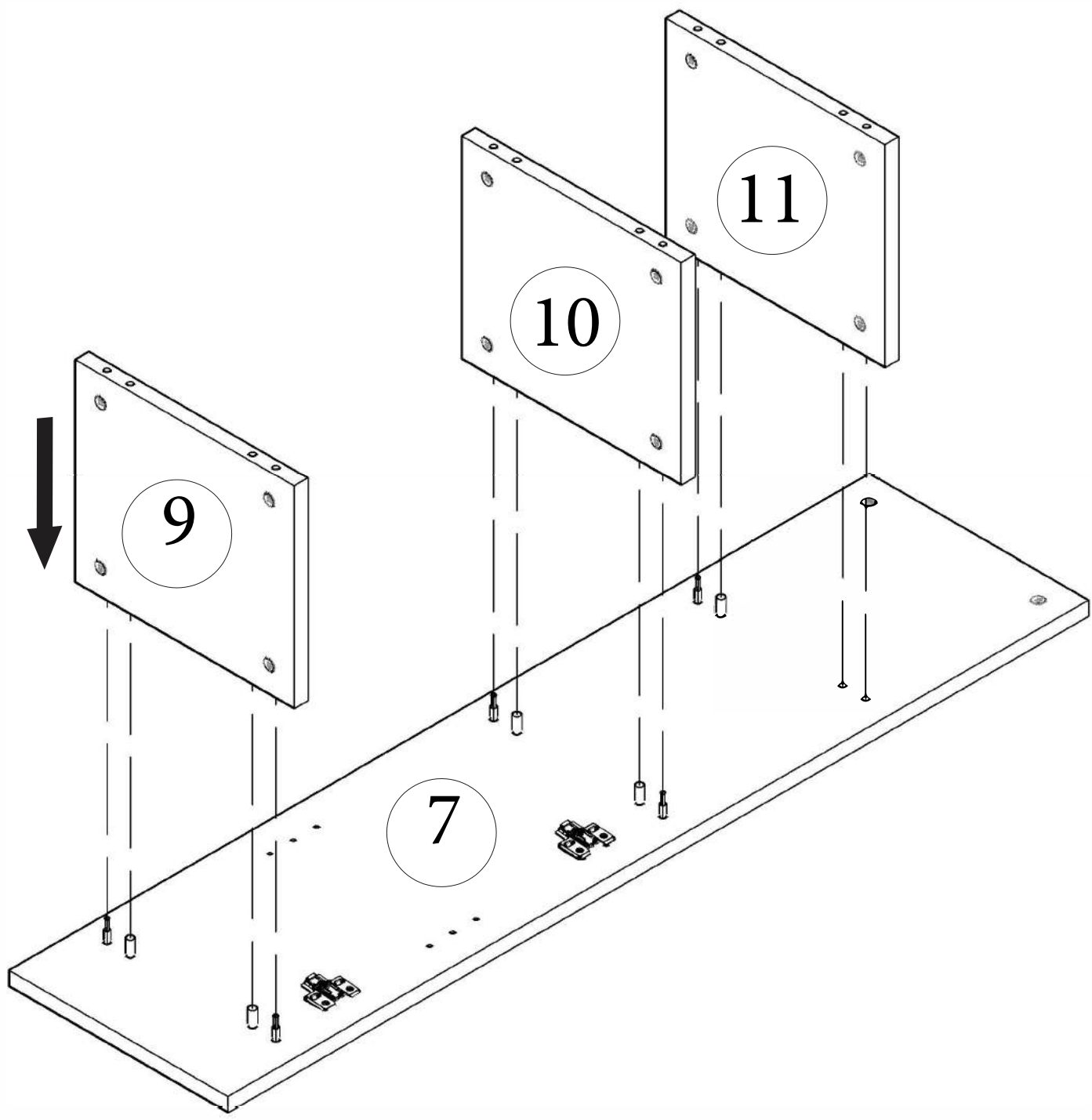
FR

4

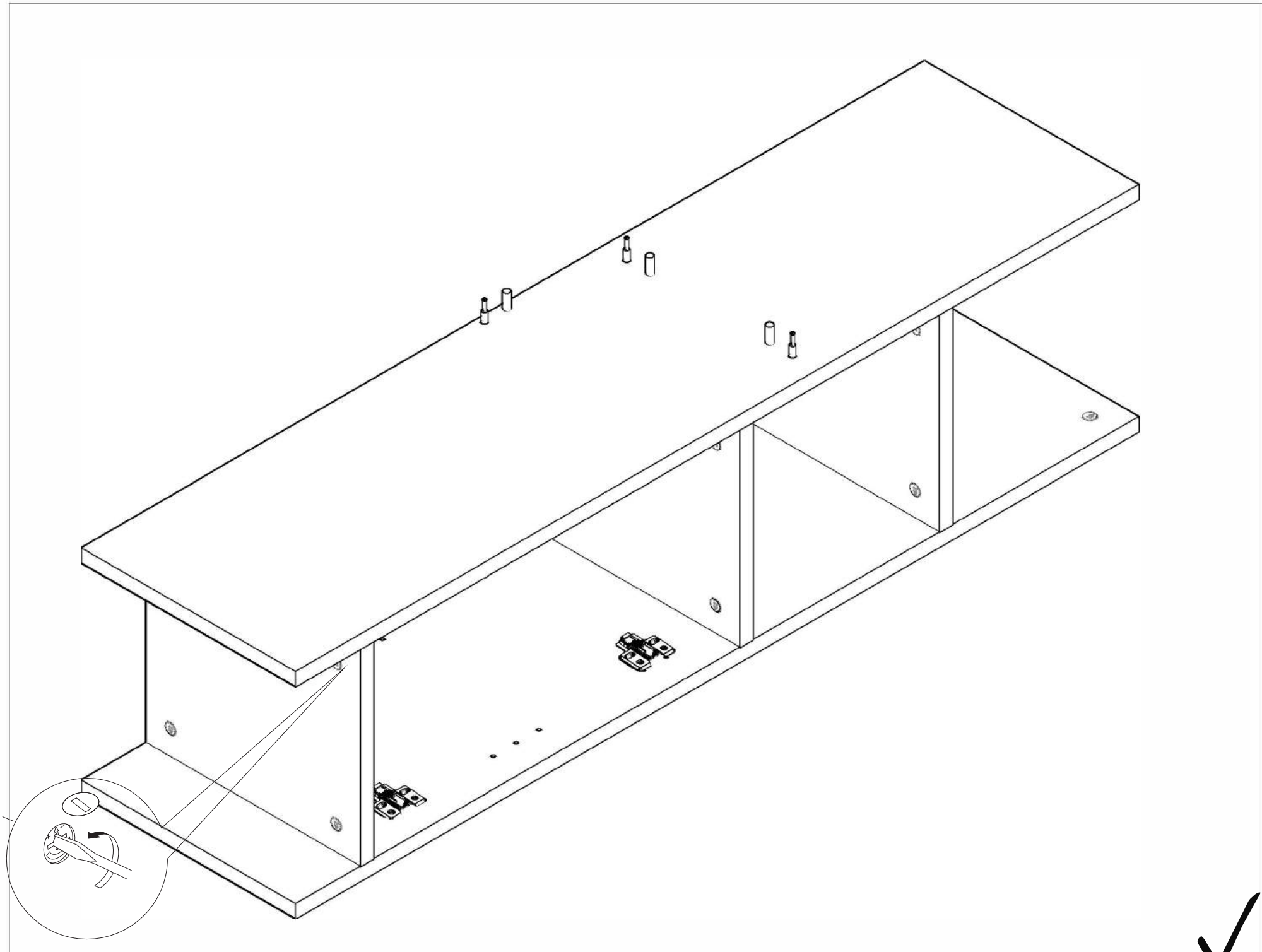
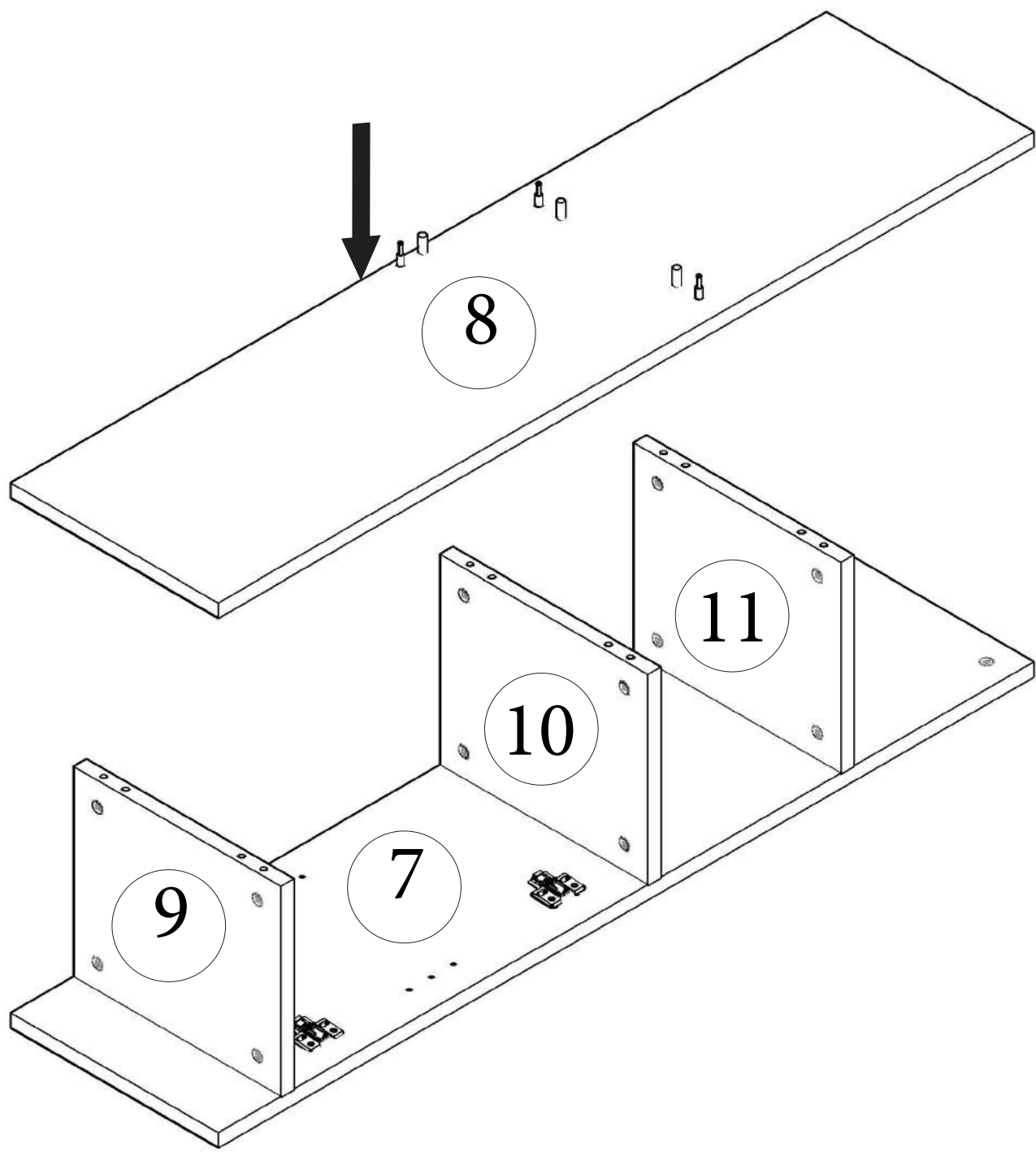




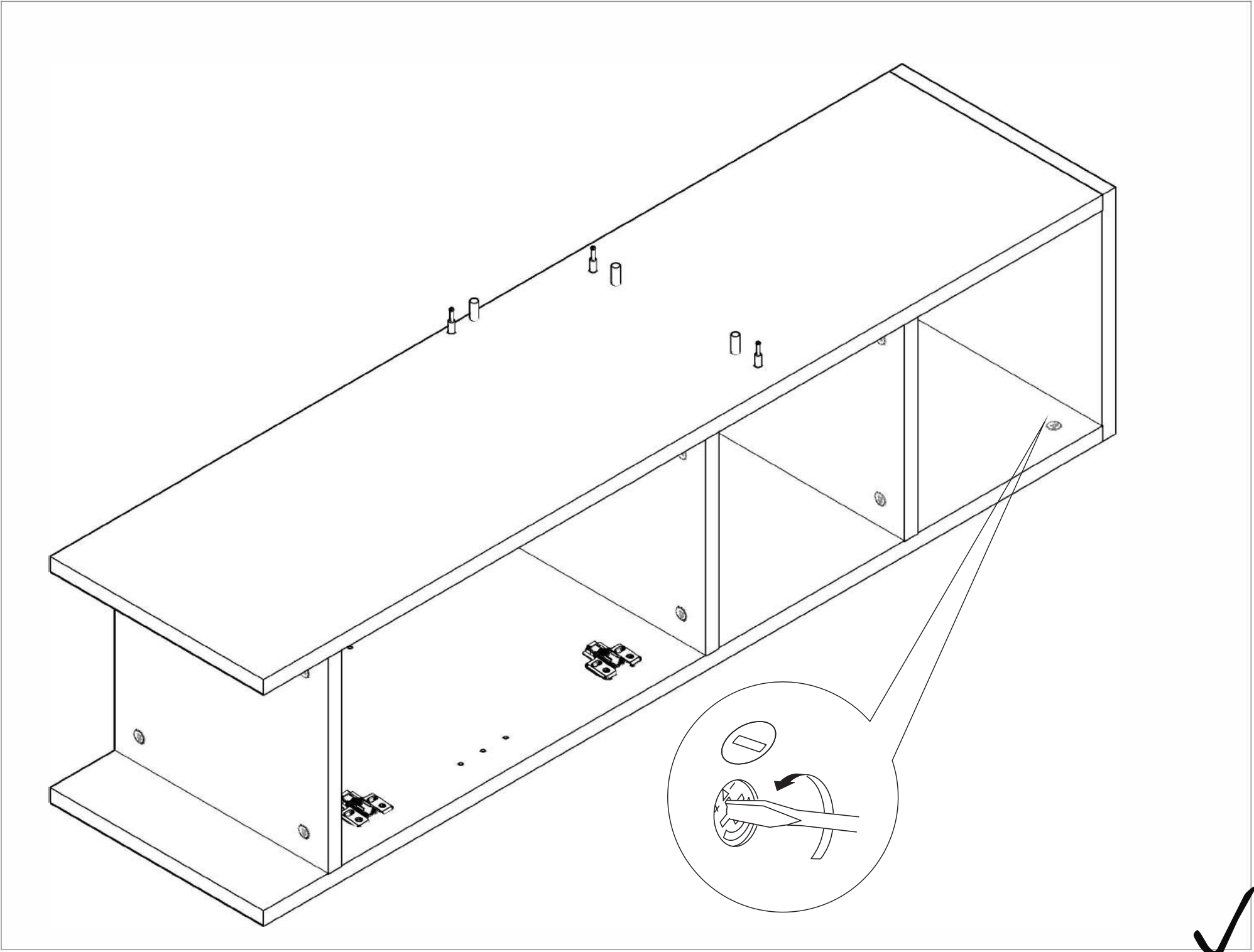
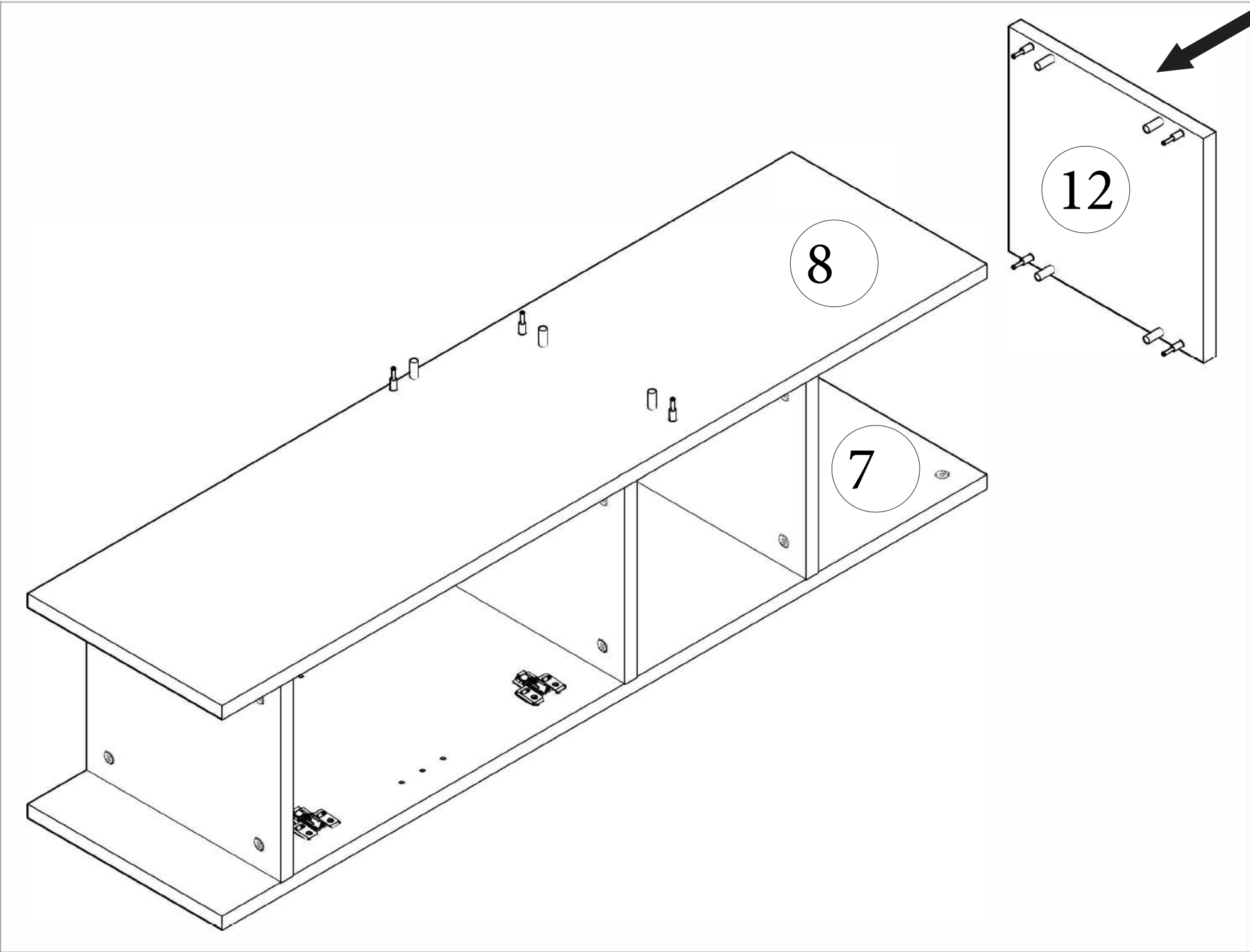
6



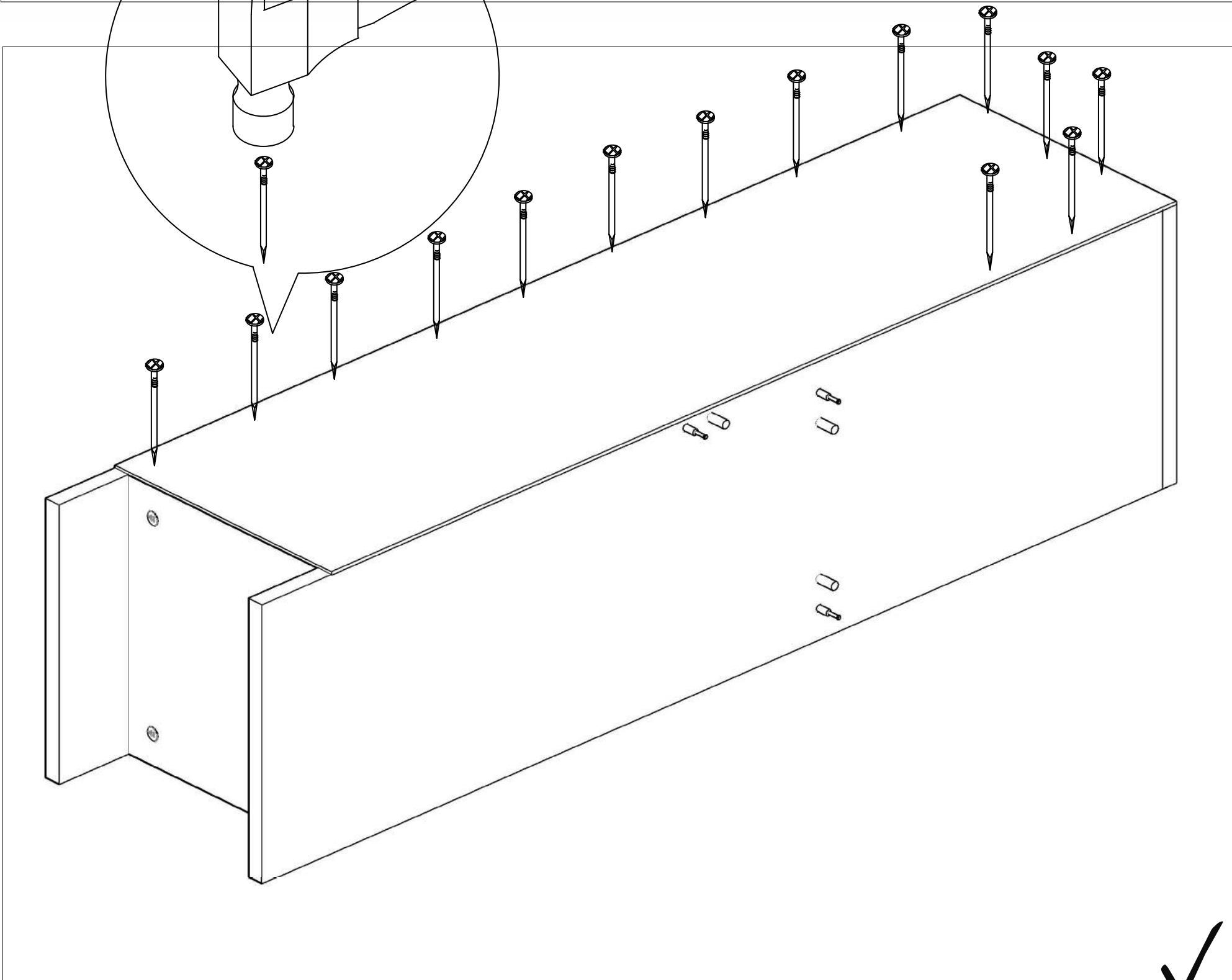
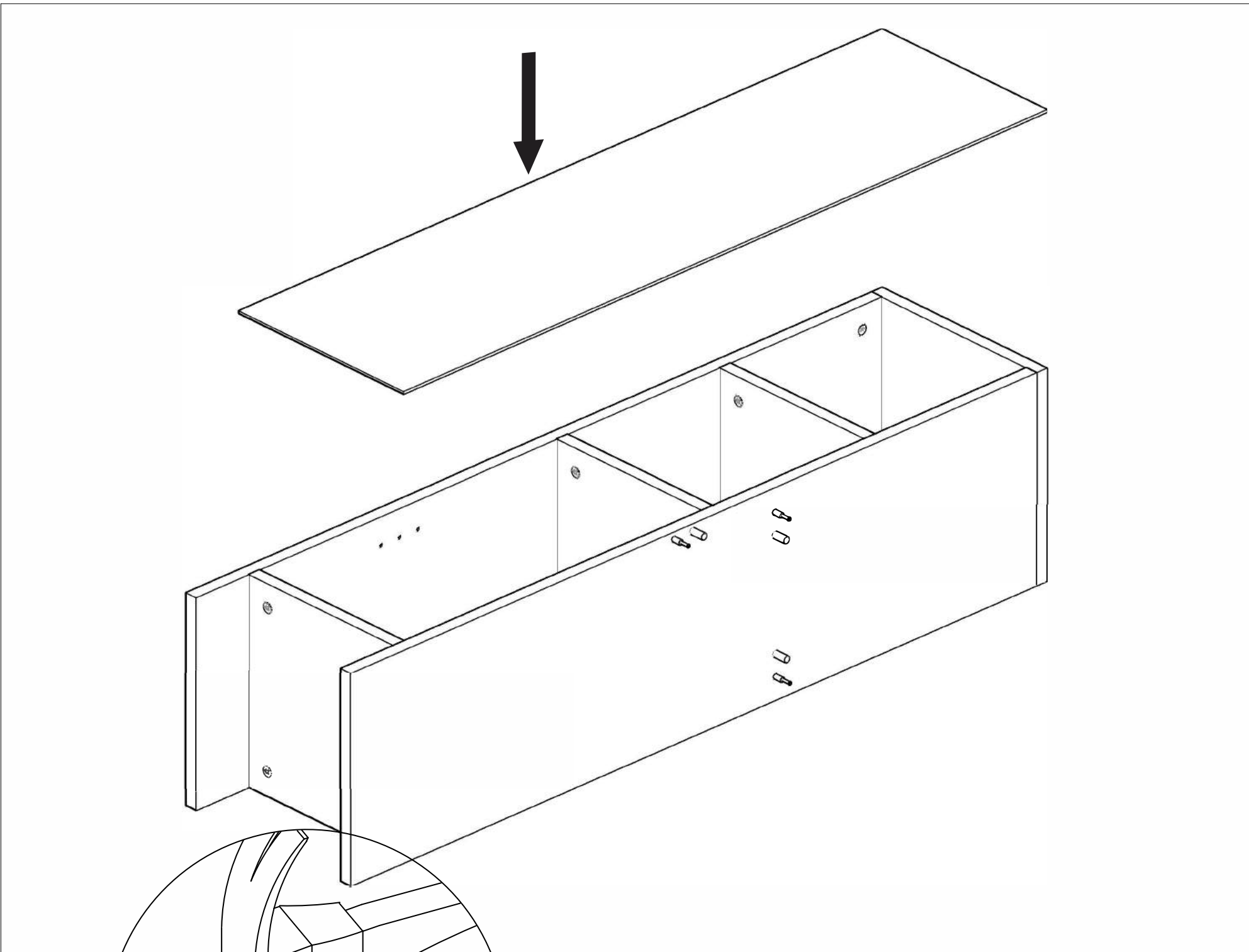
7



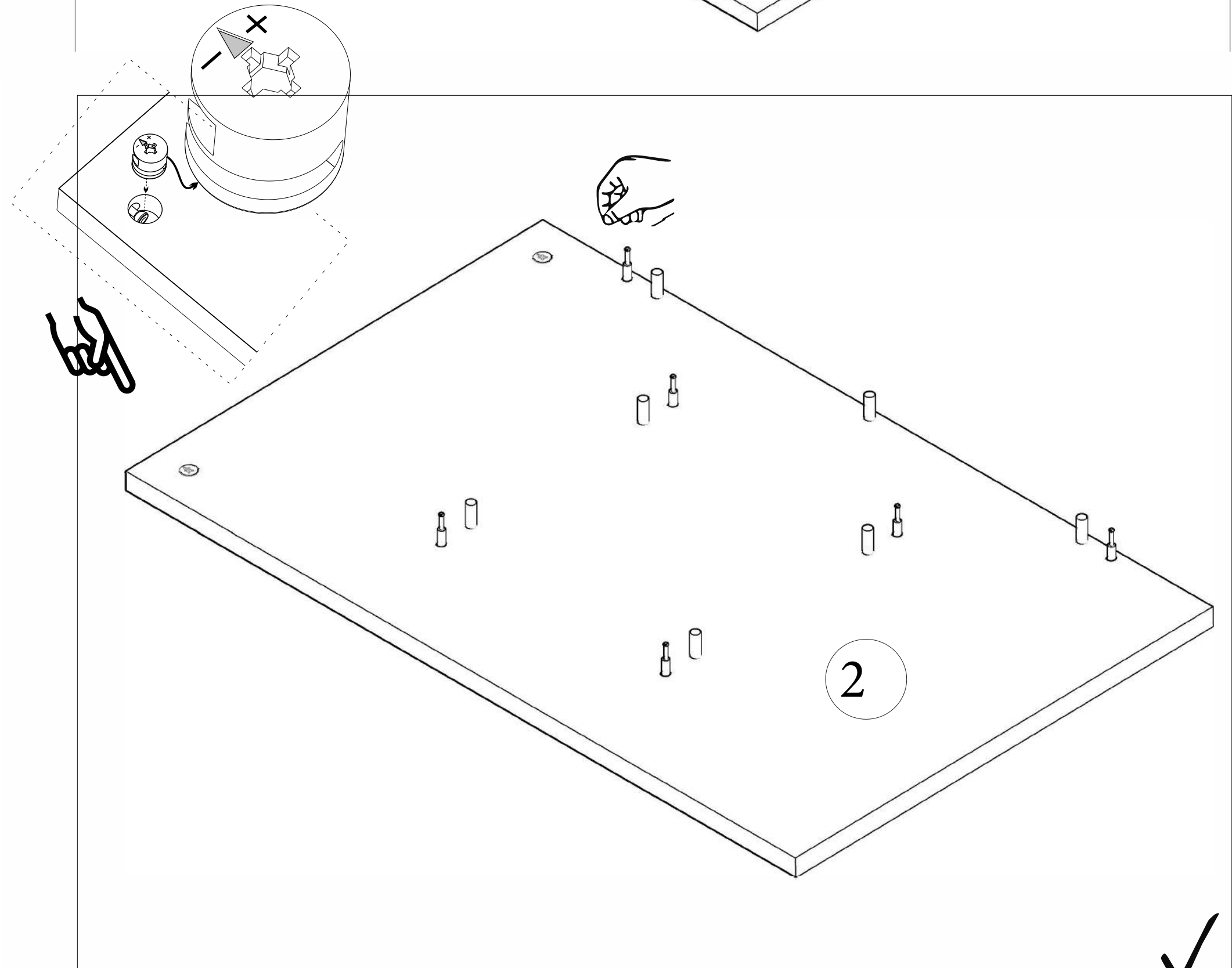
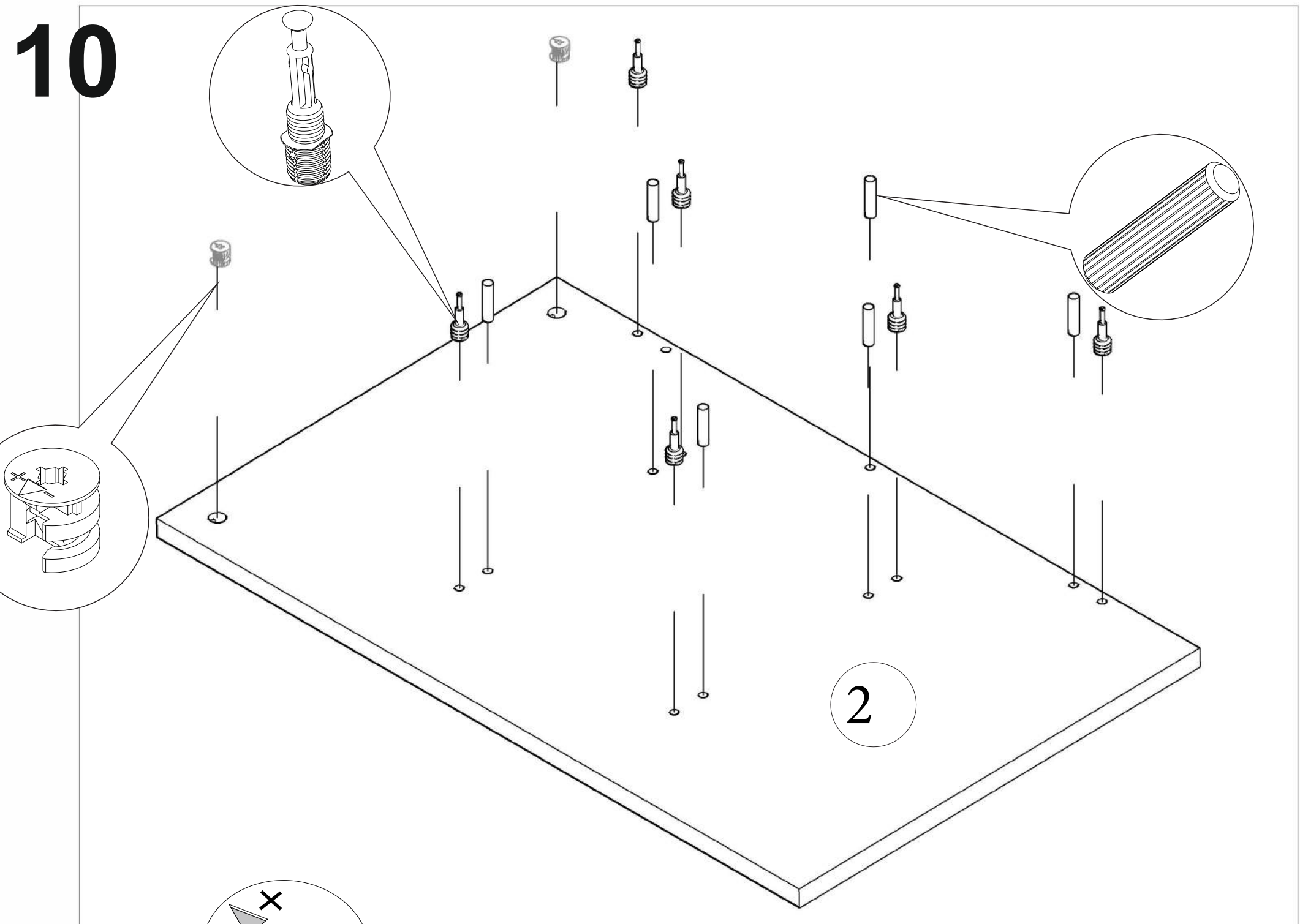
8



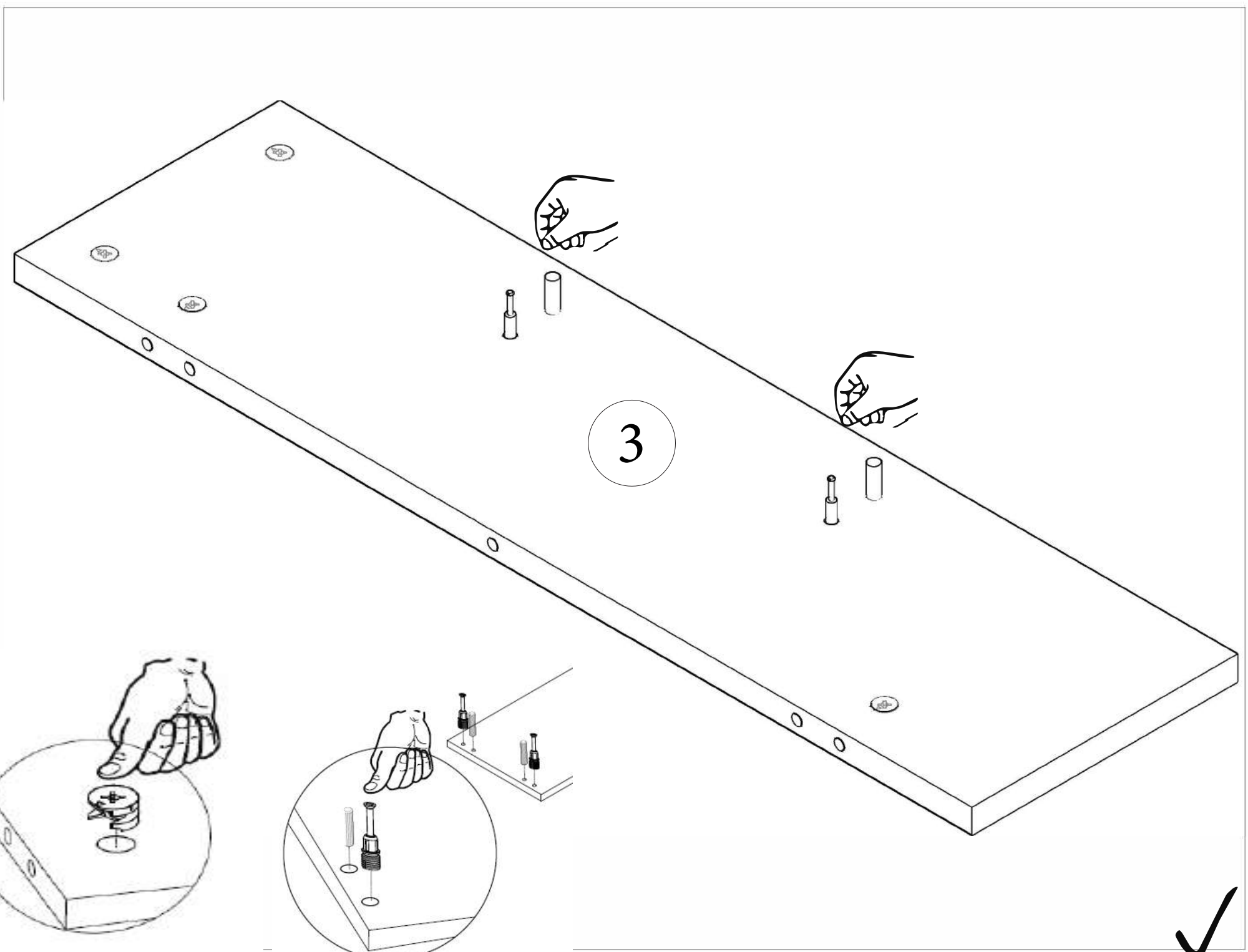
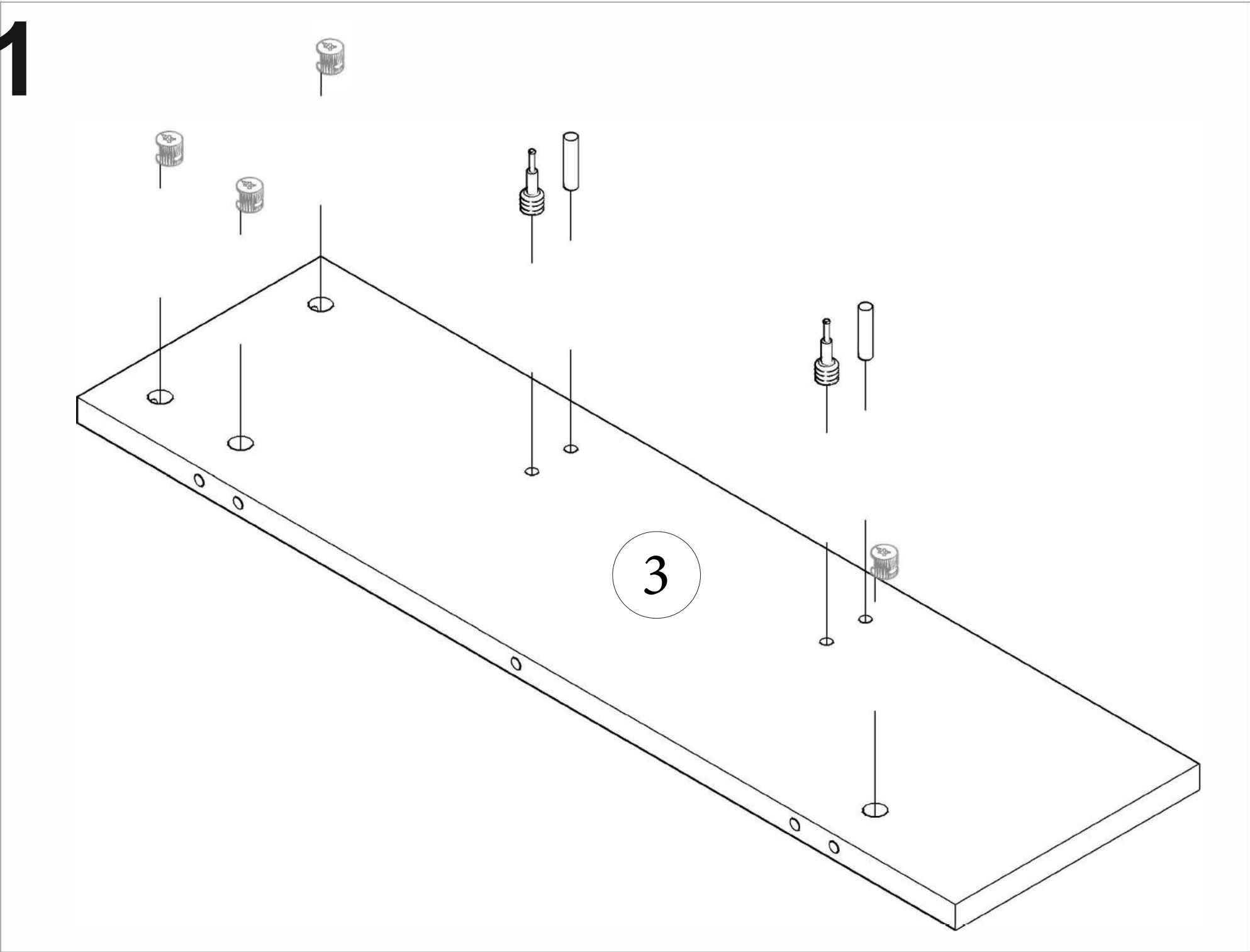
9



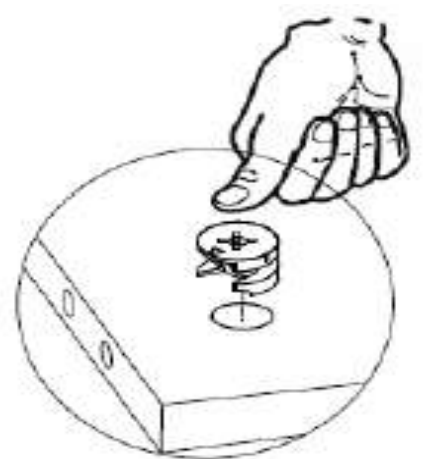
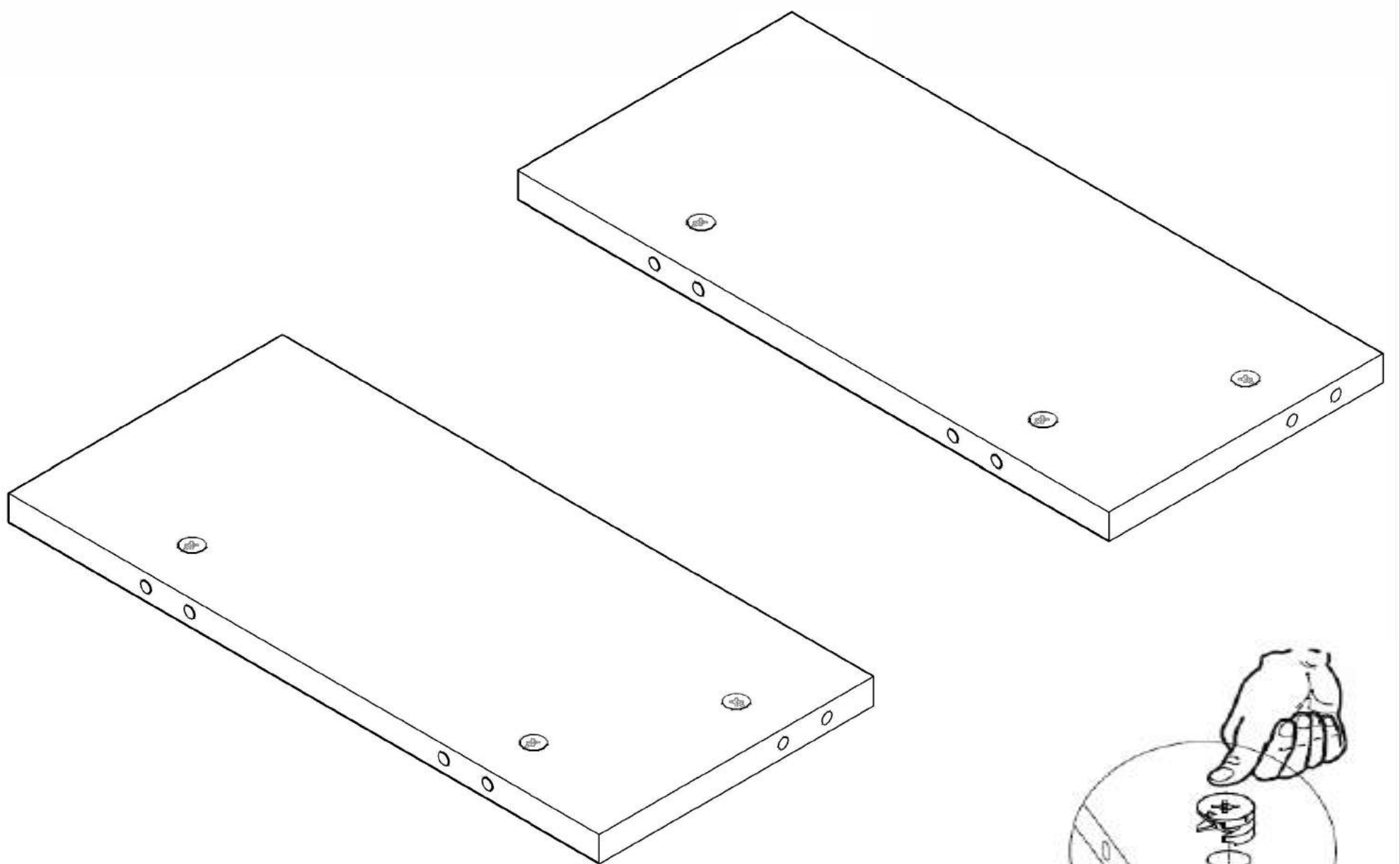
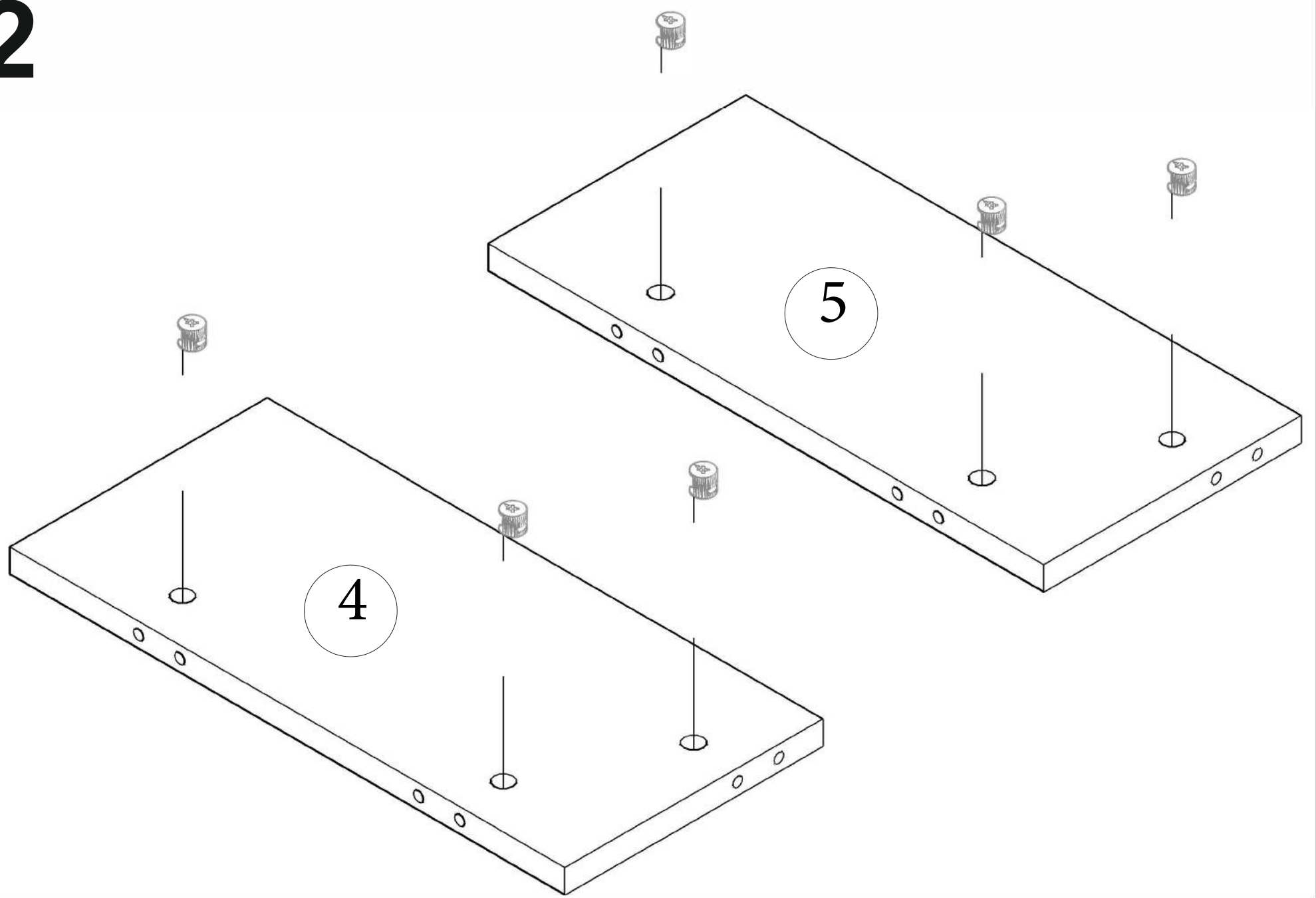
10



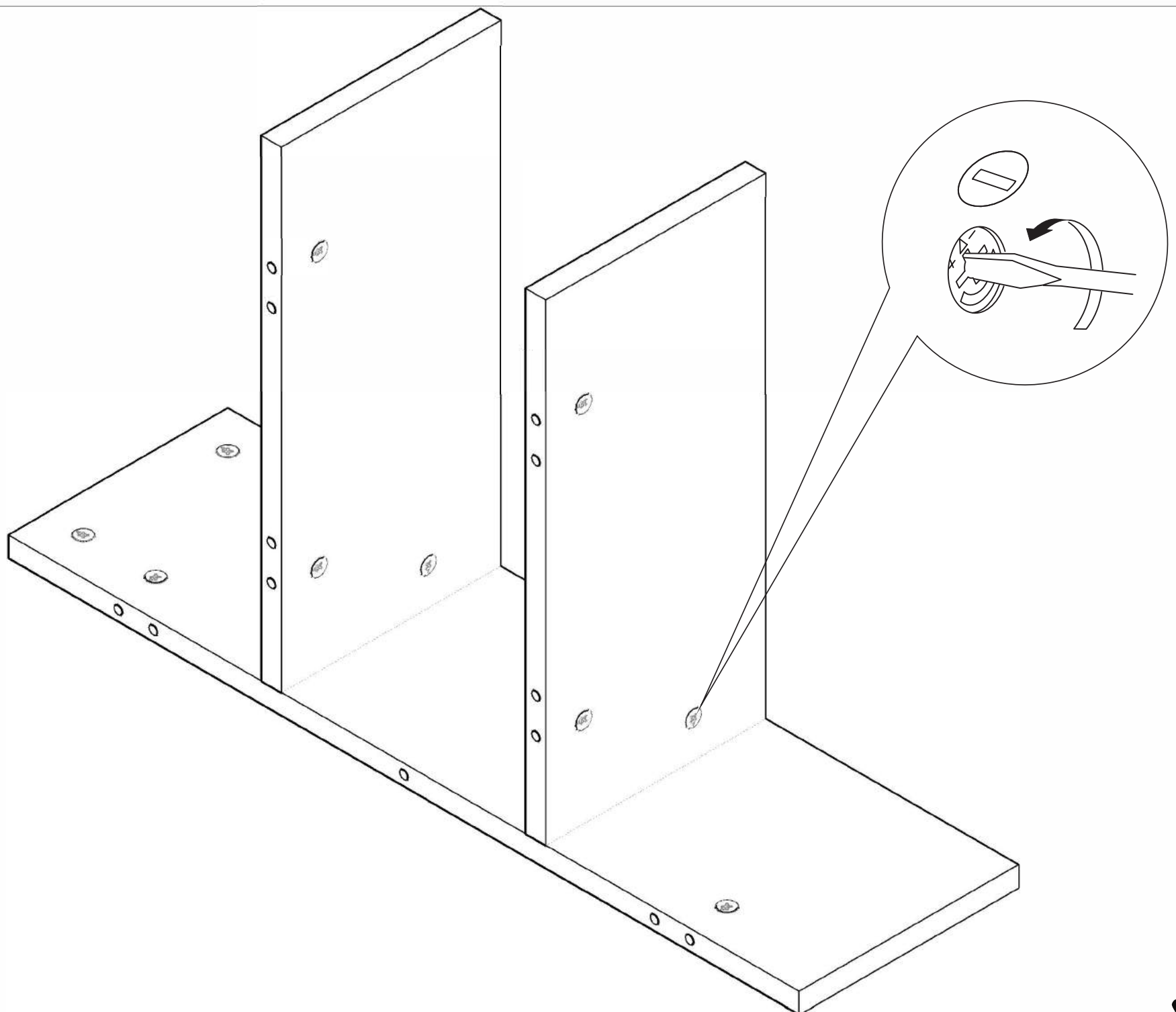
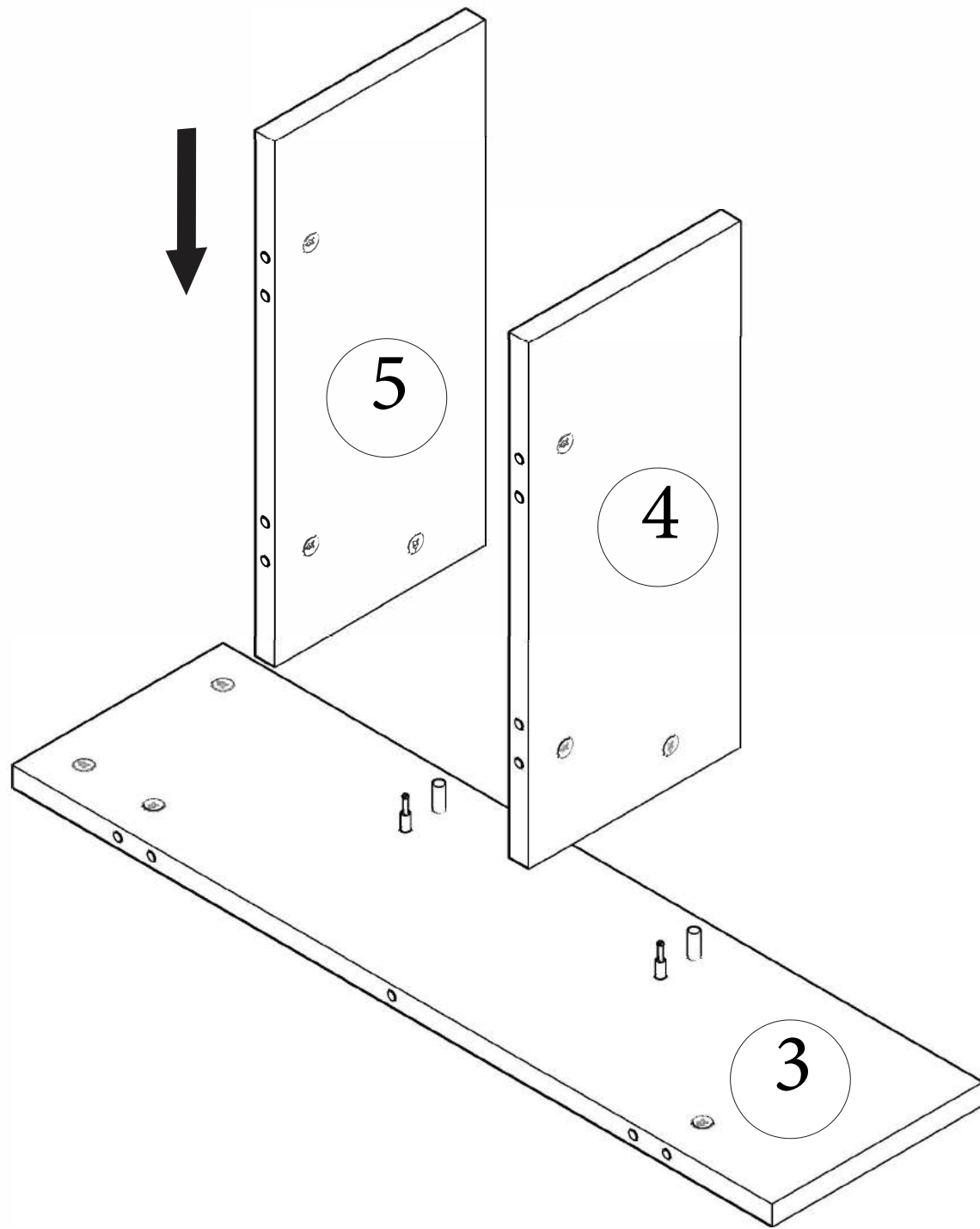
11



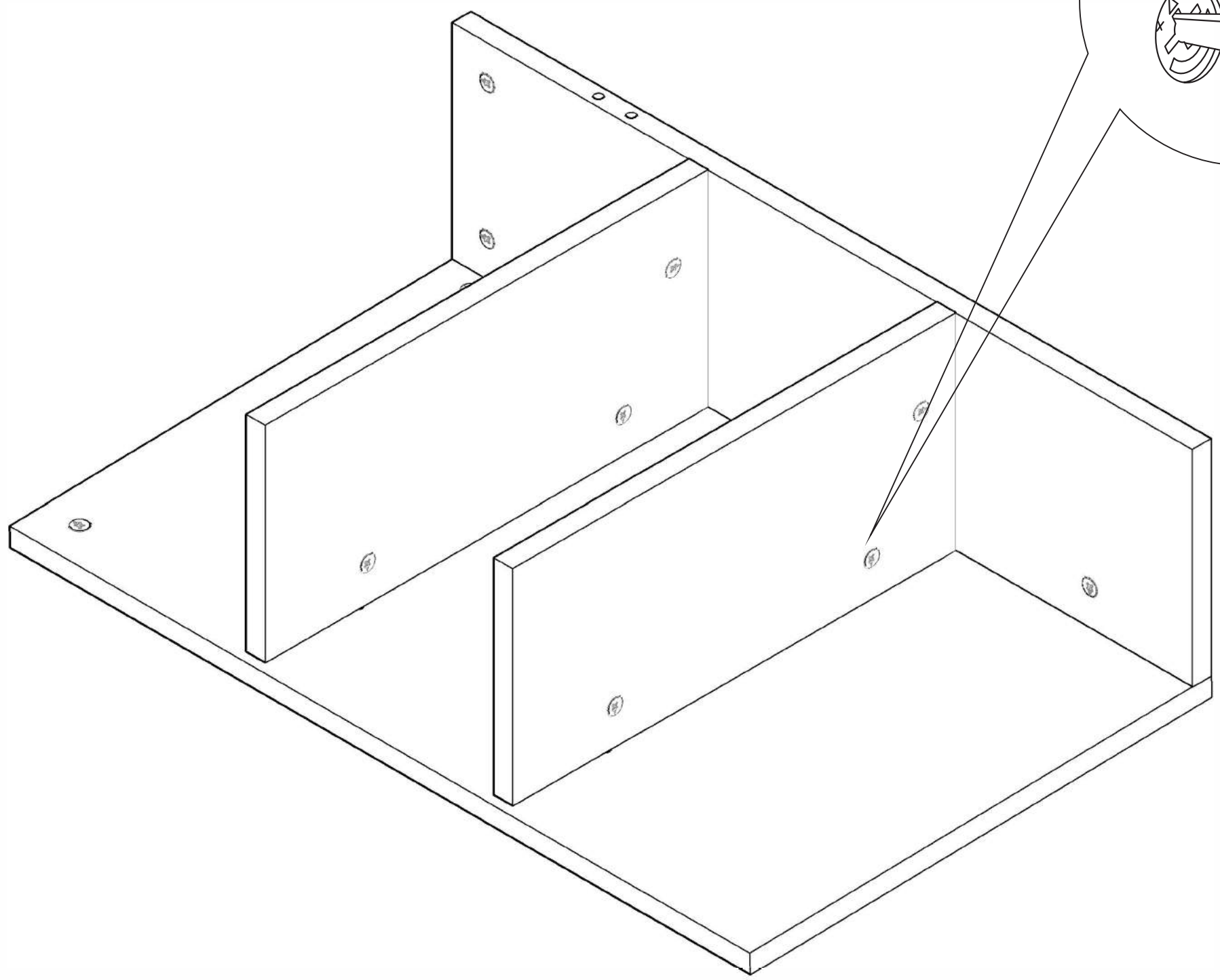
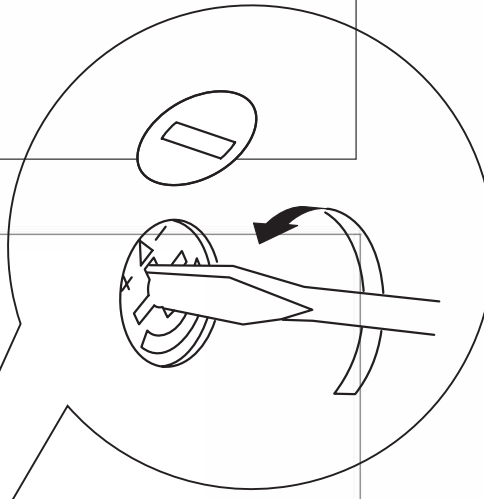
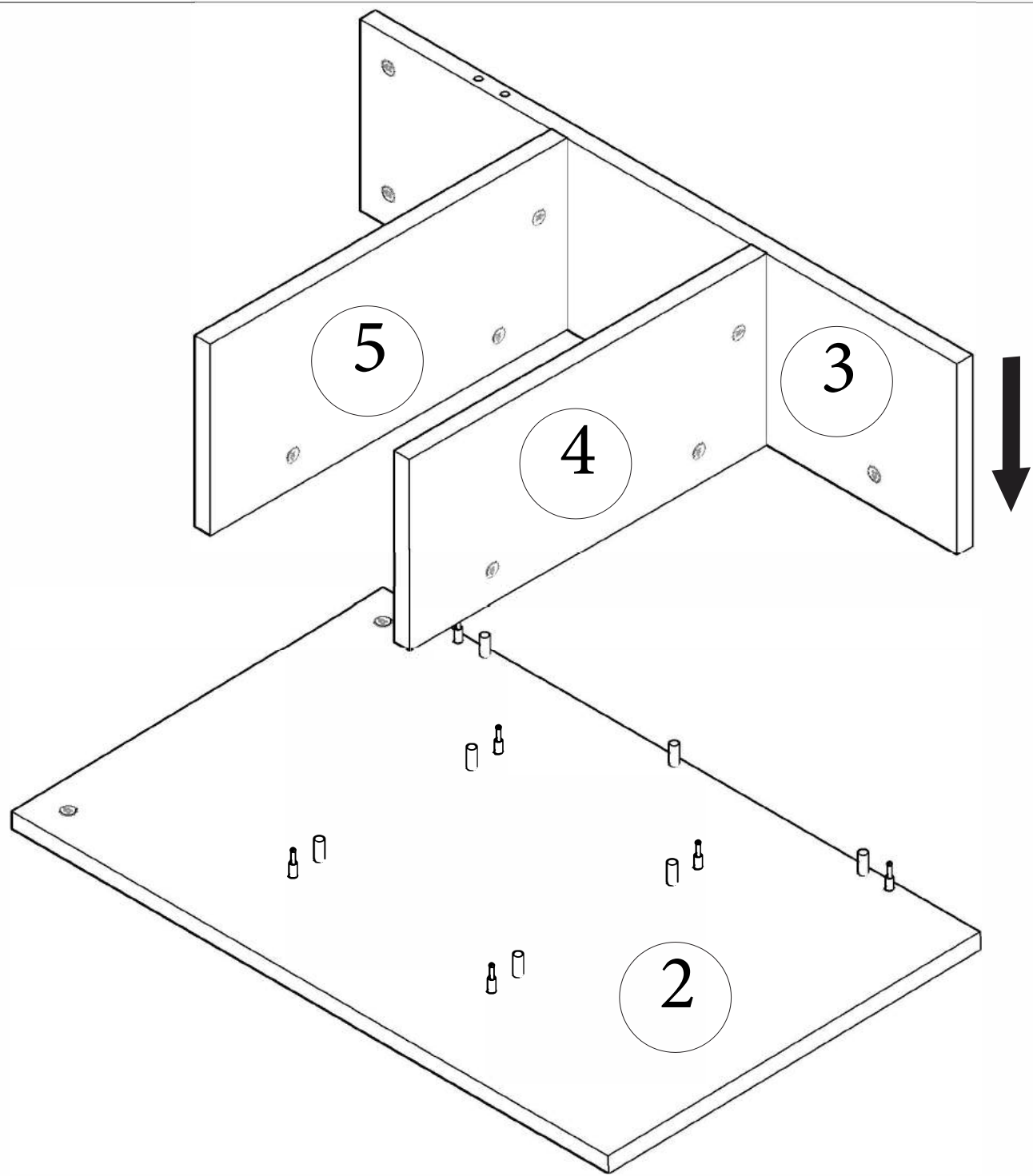
12



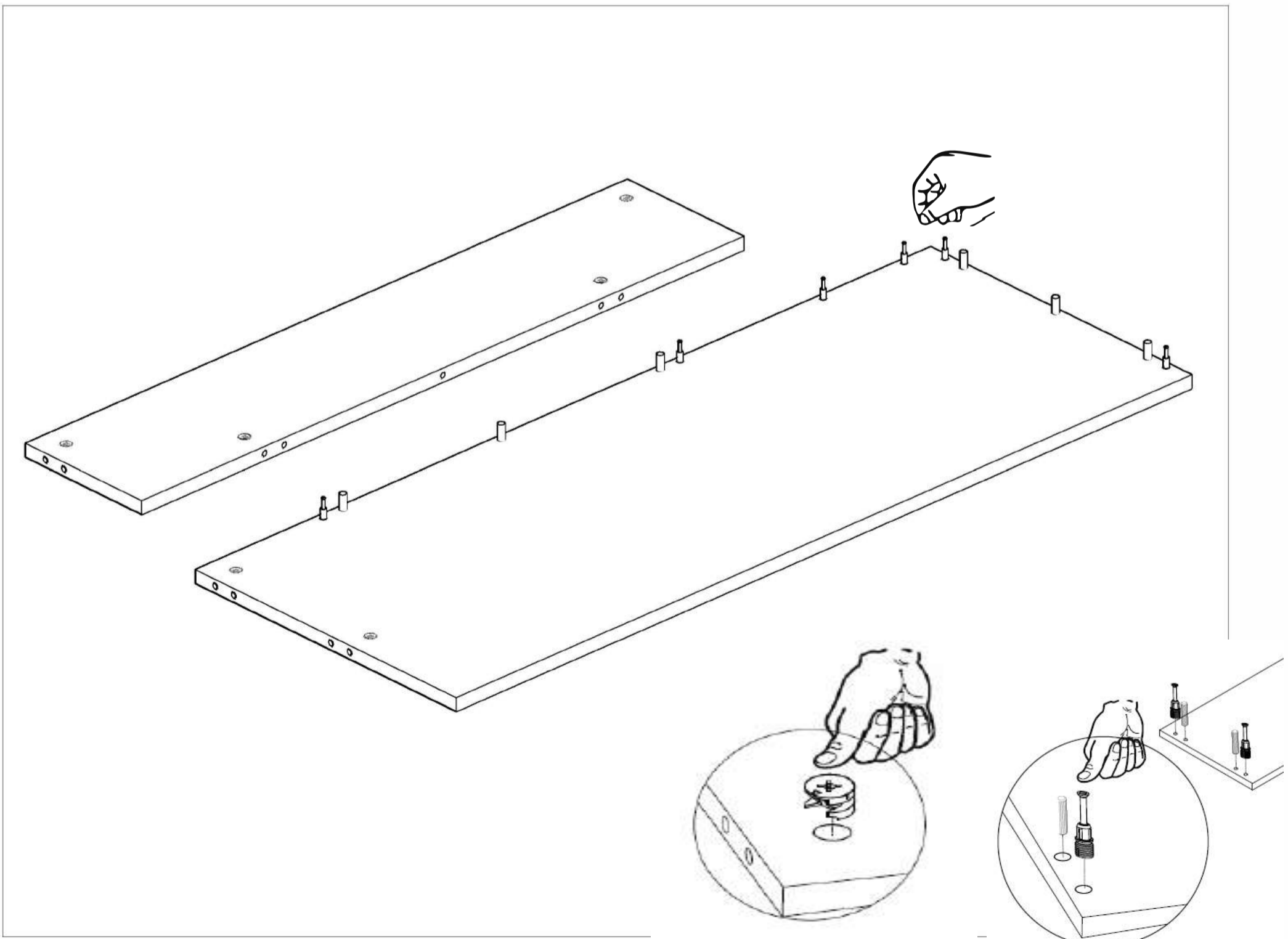
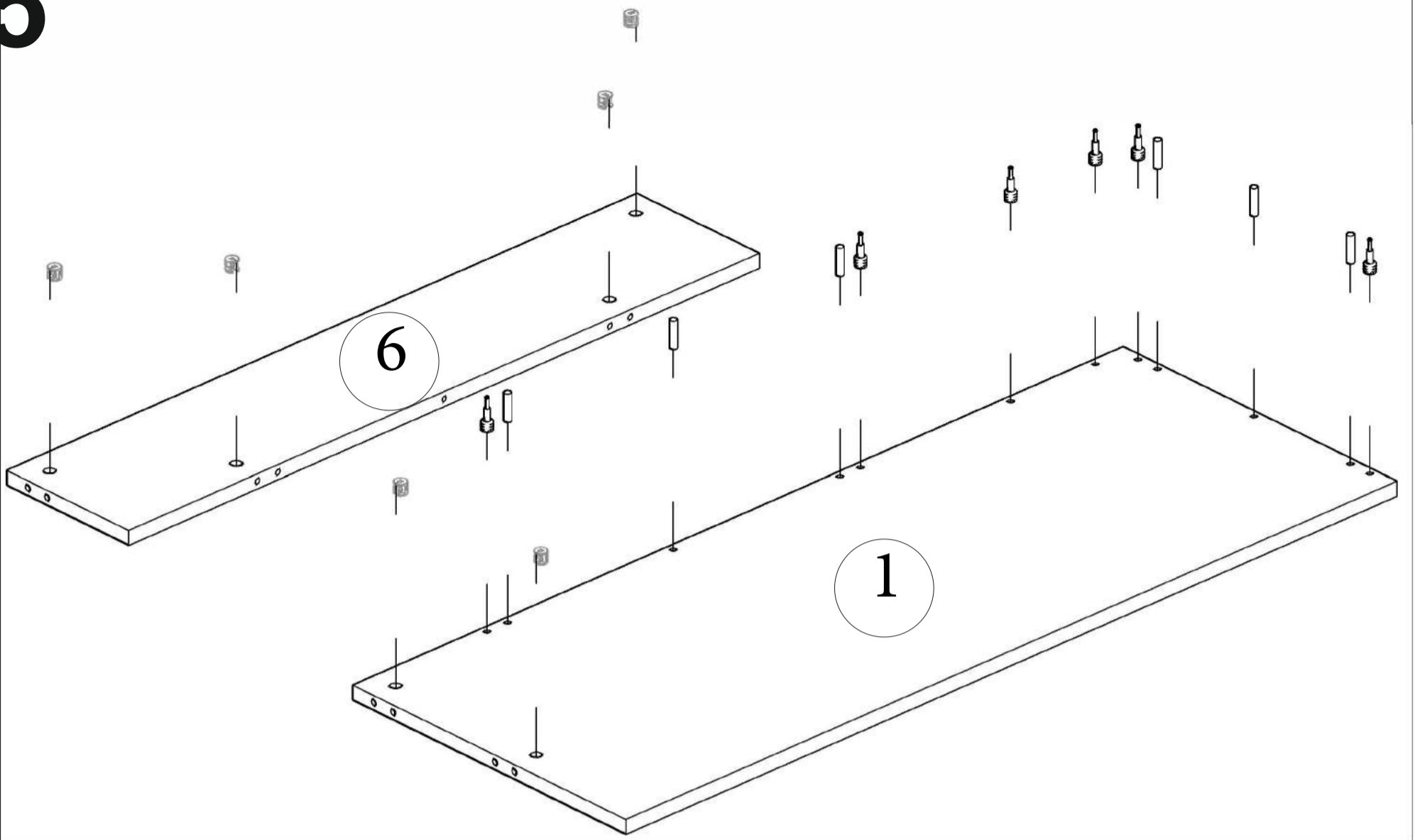
13



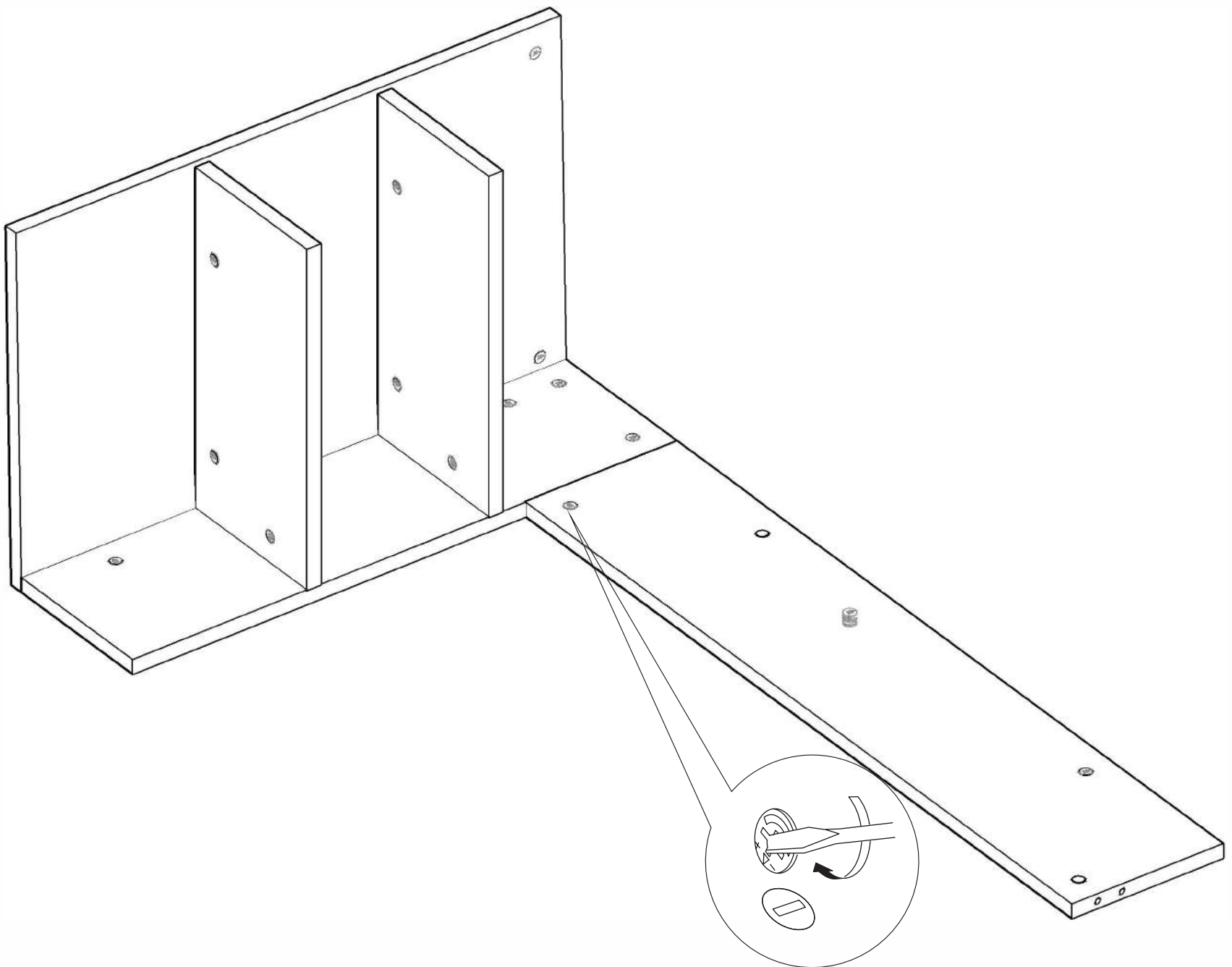
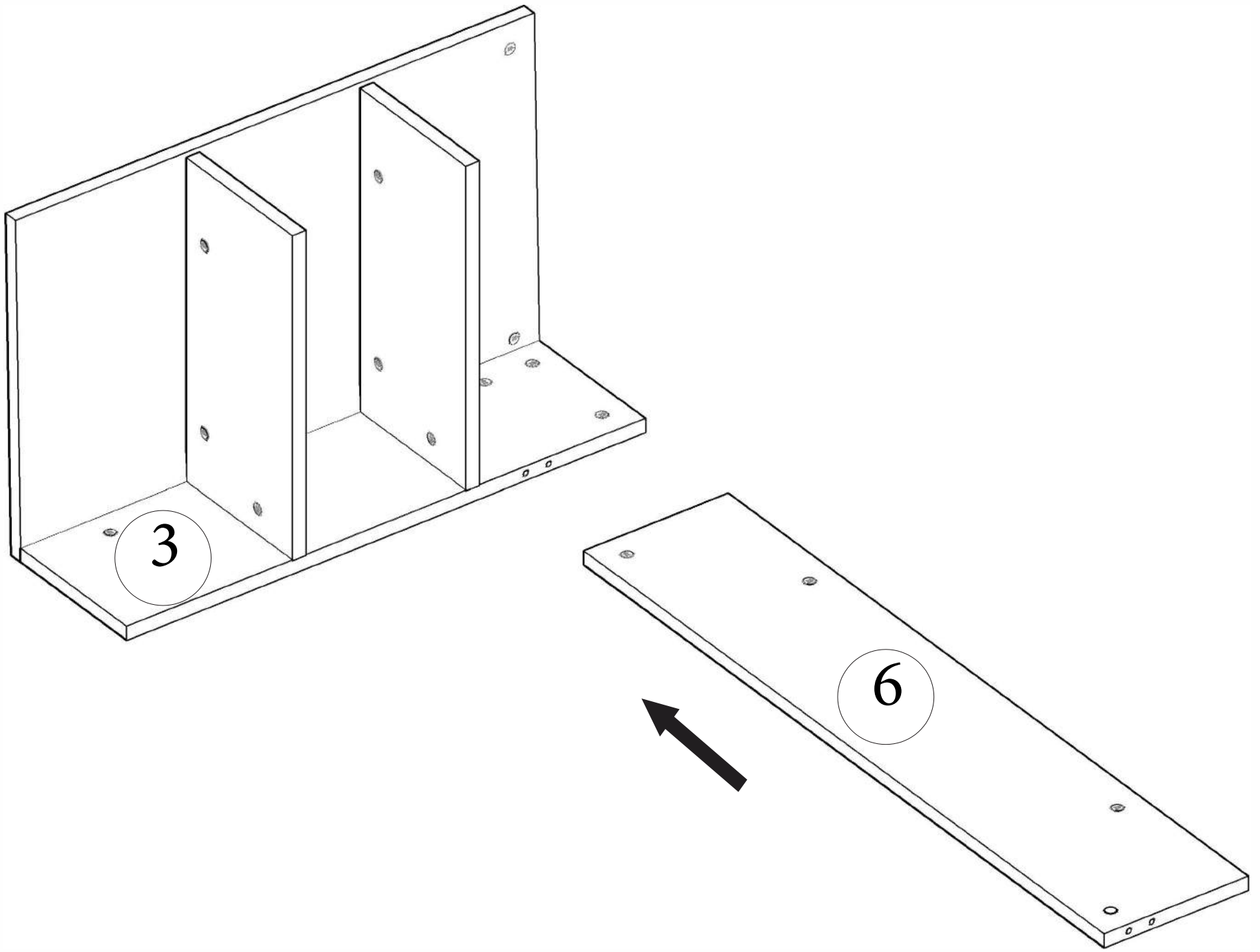
14



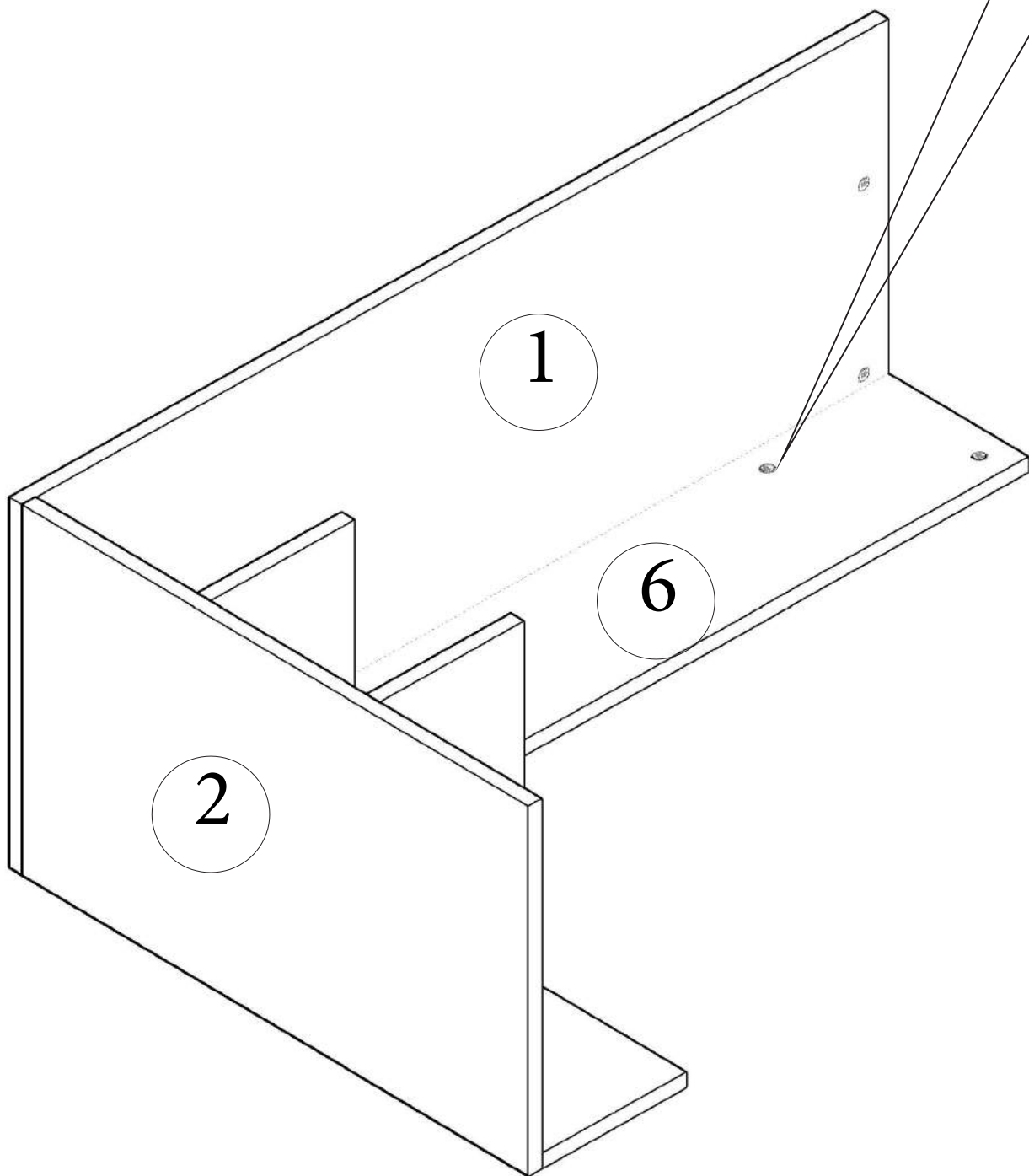
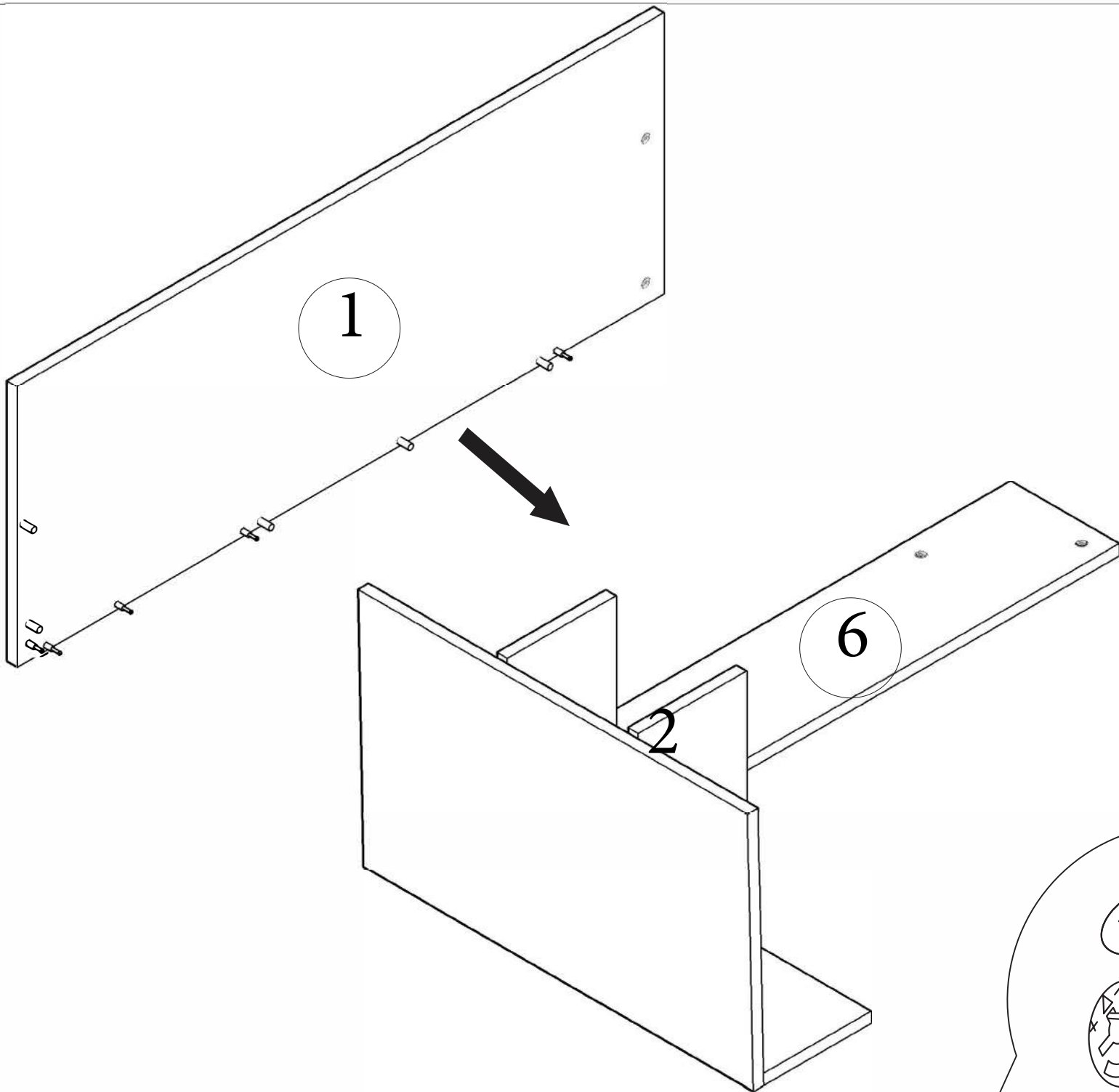
15



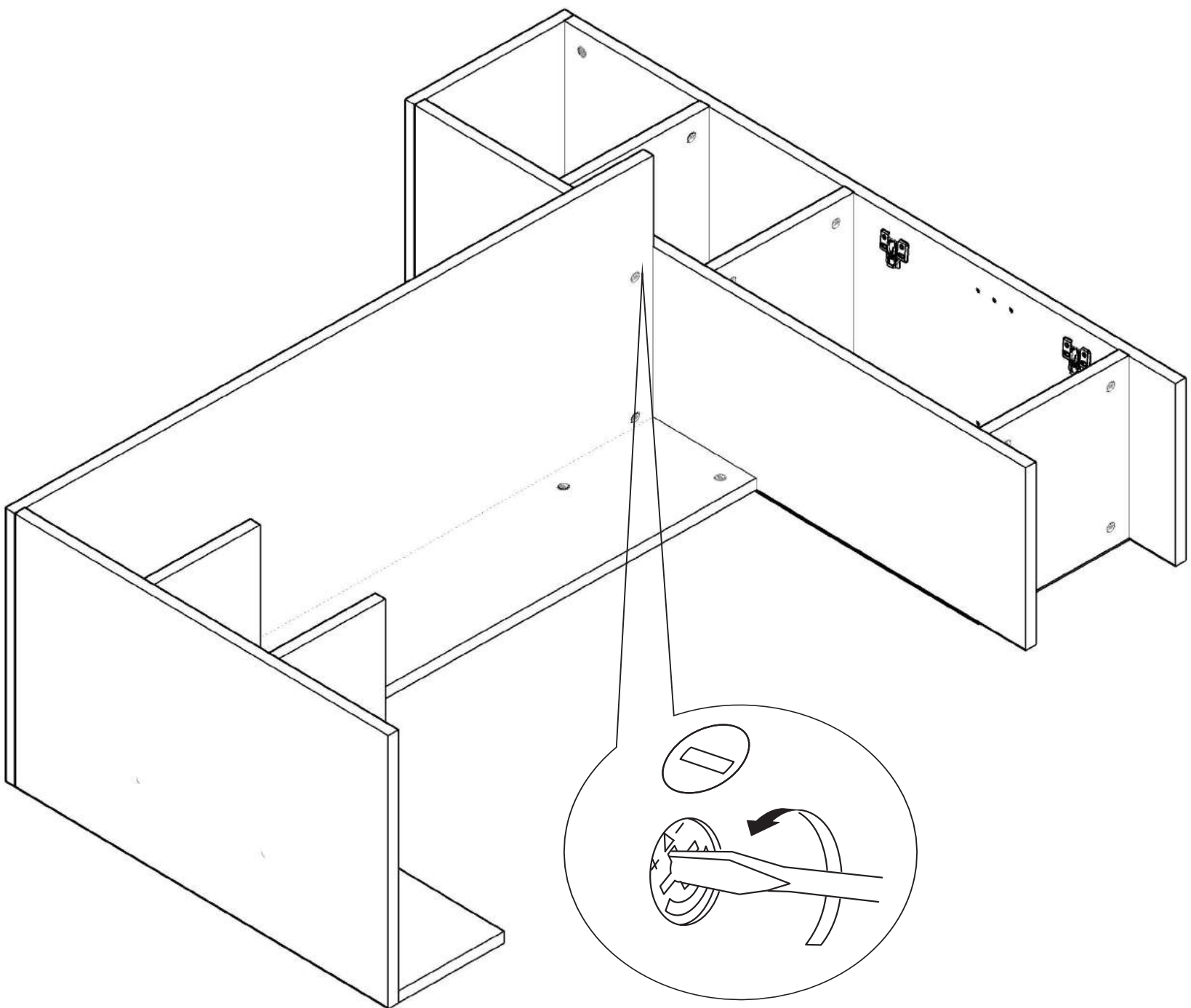
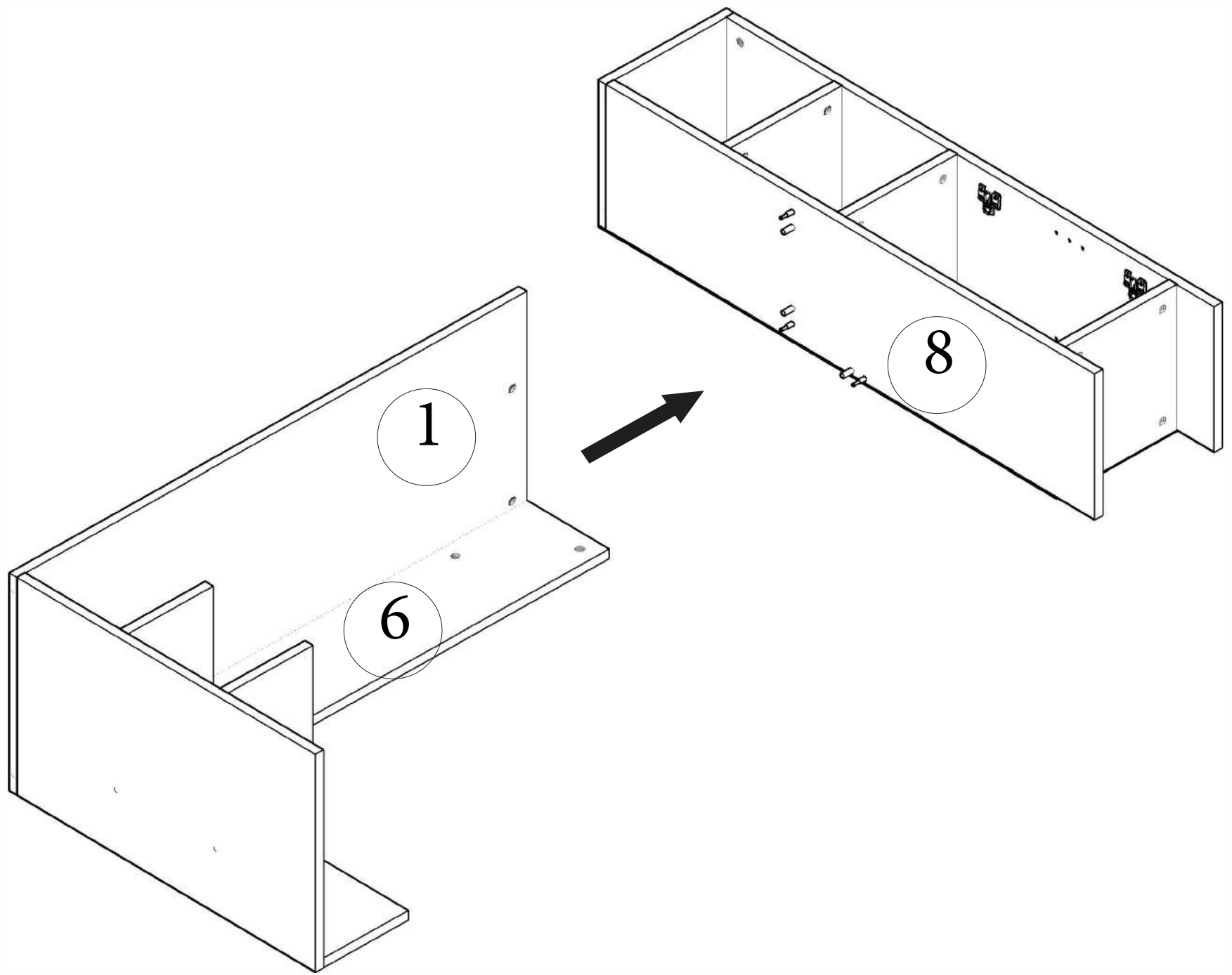
16



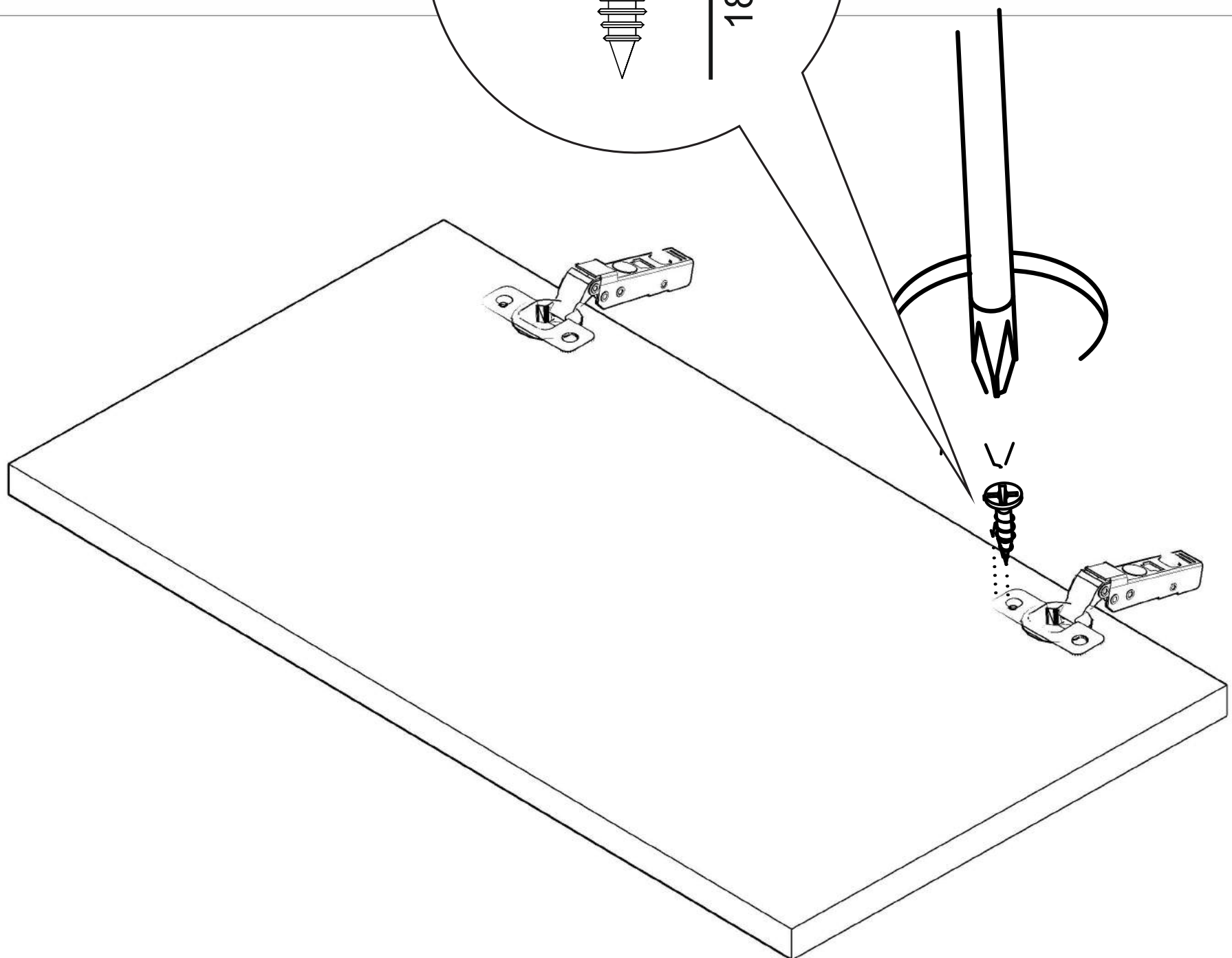
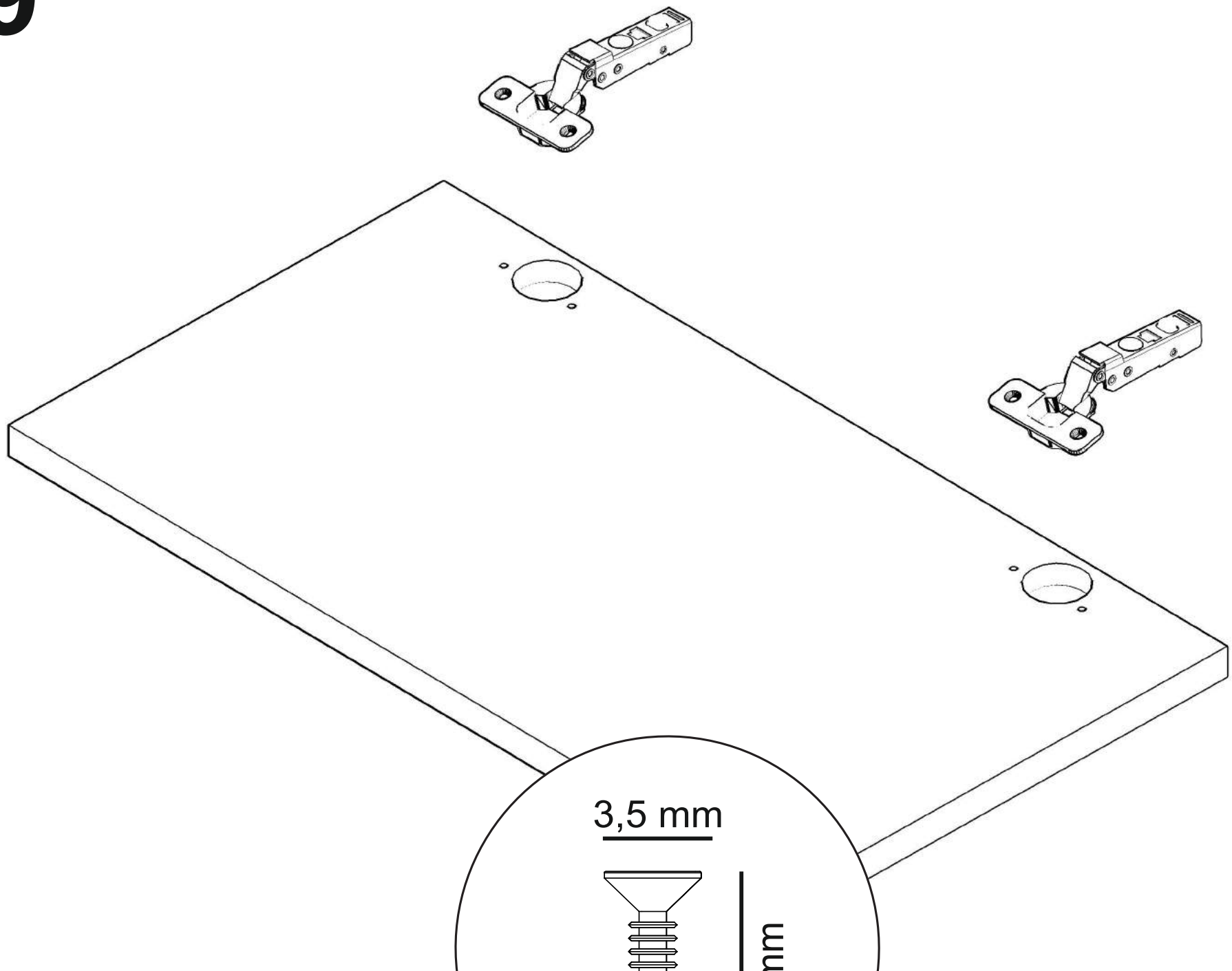
17



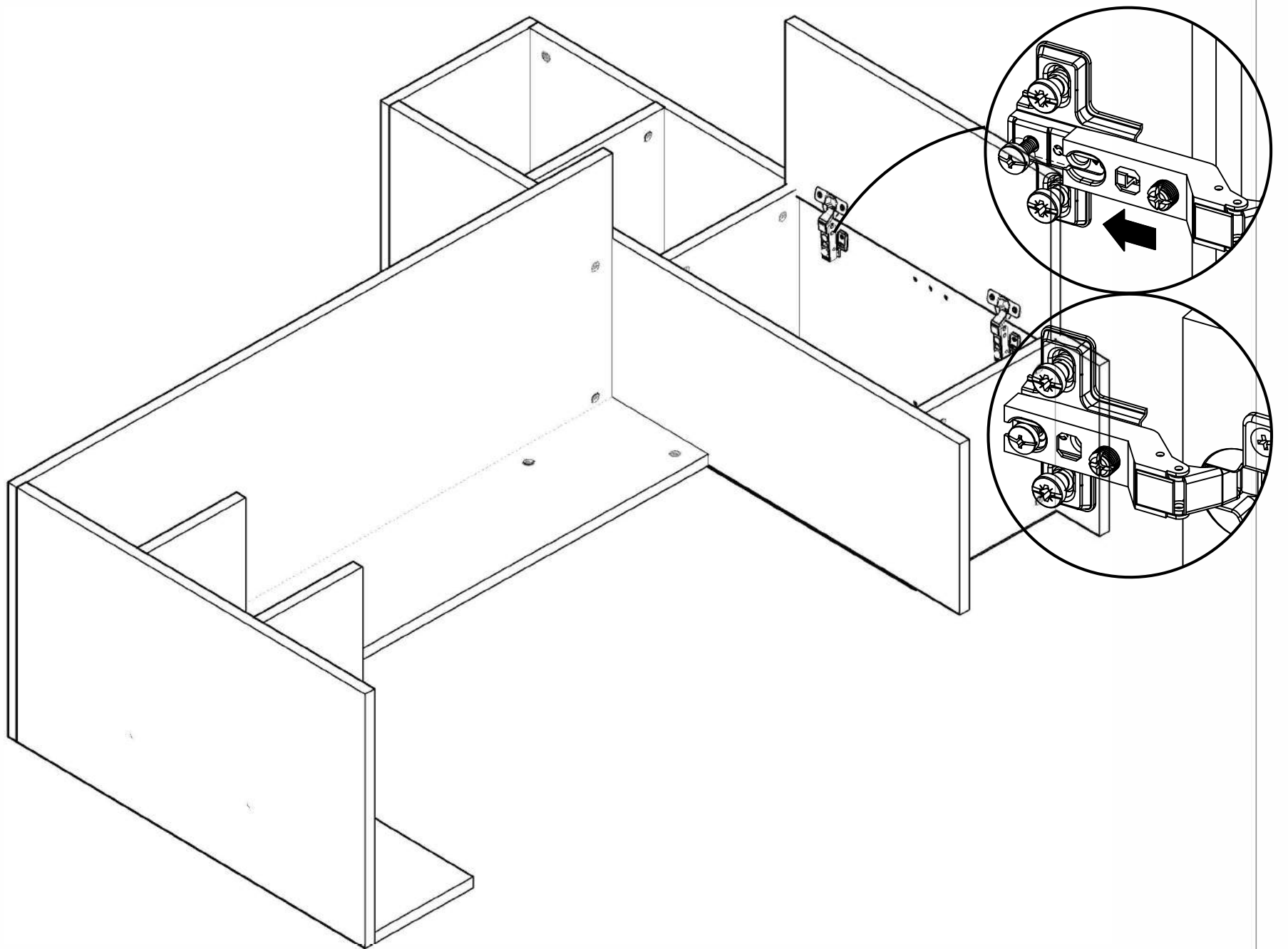
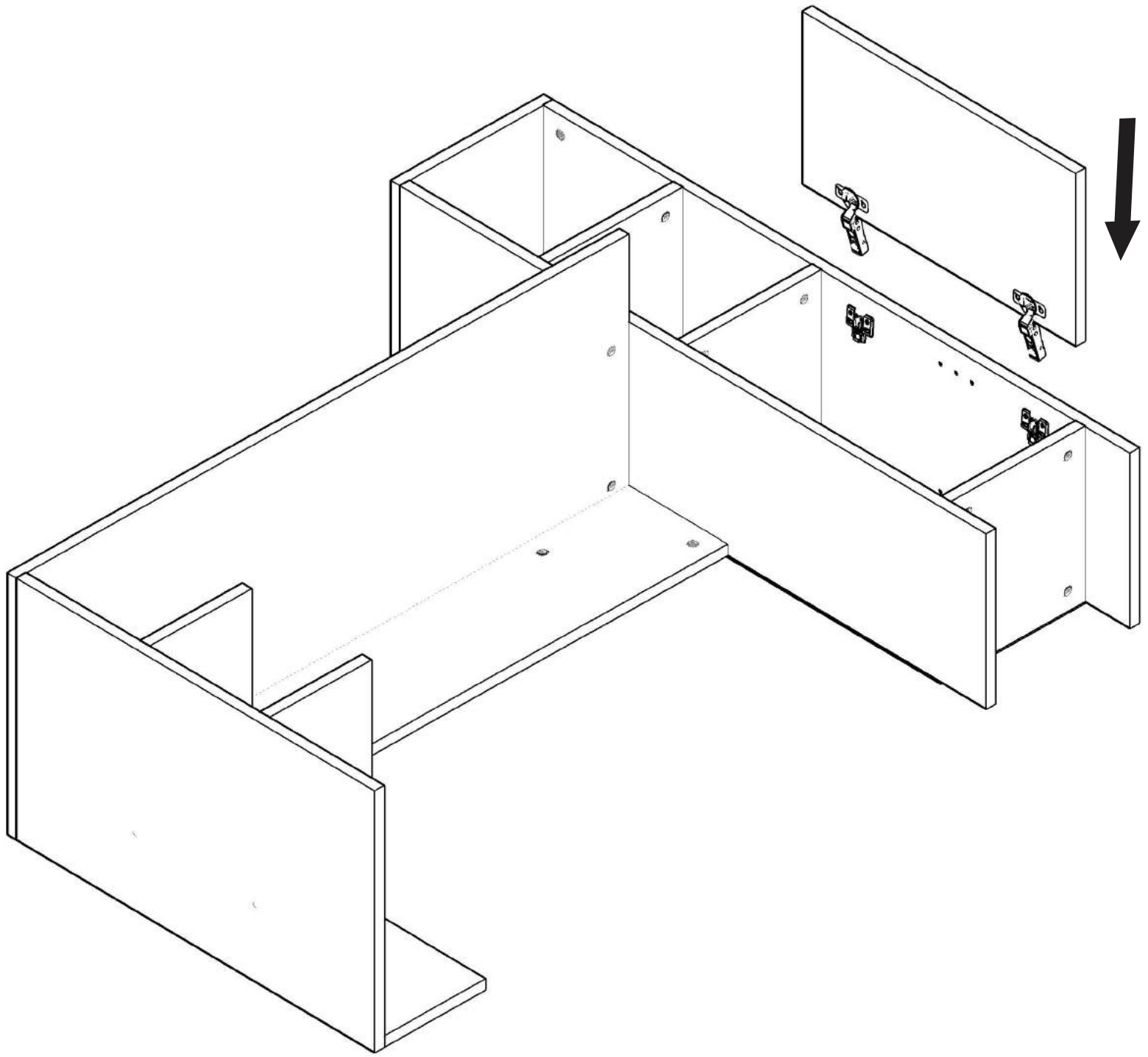
18

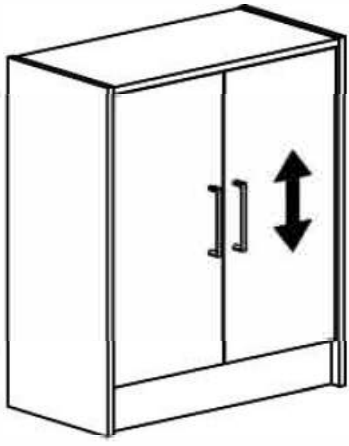


19

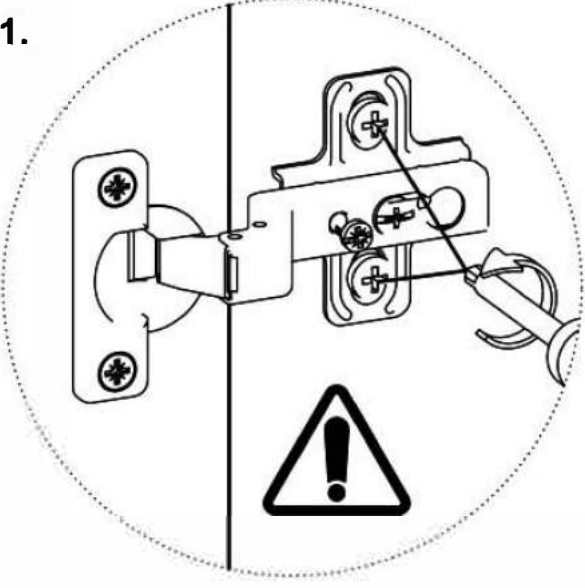


20

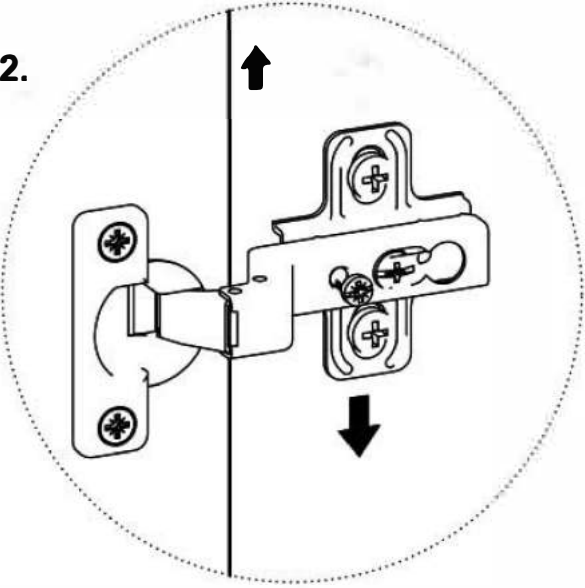




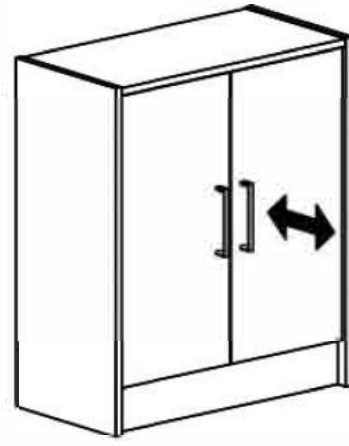
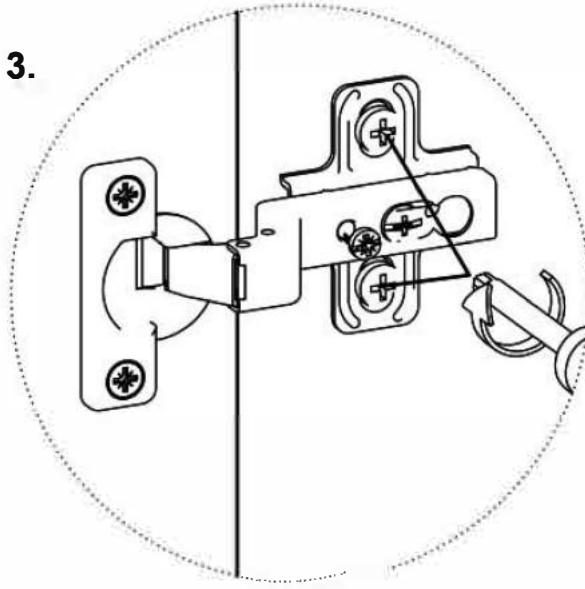
1.



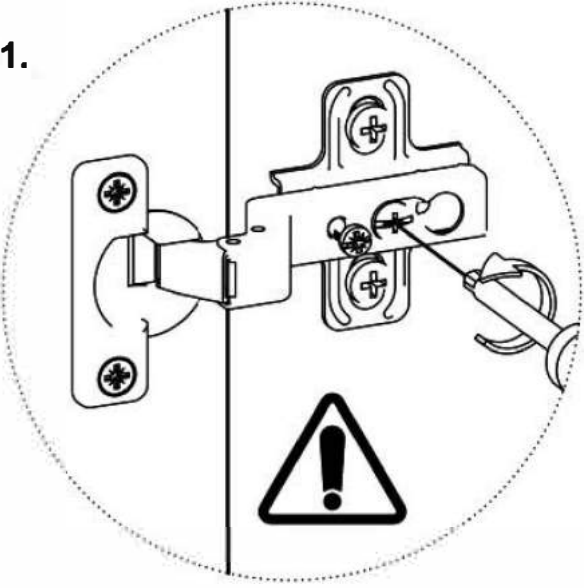
2.



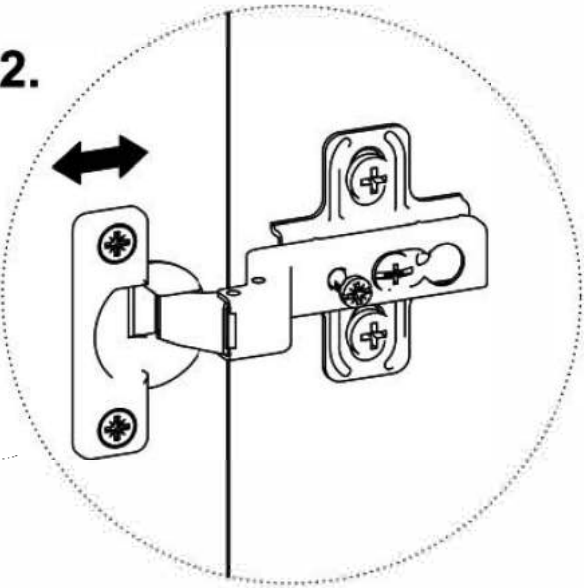
3.



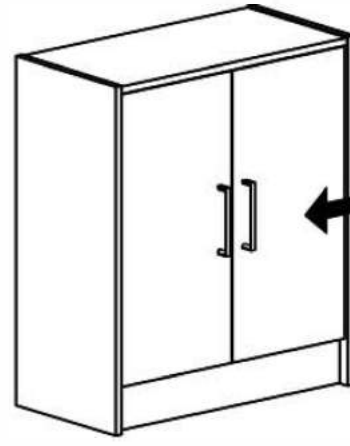
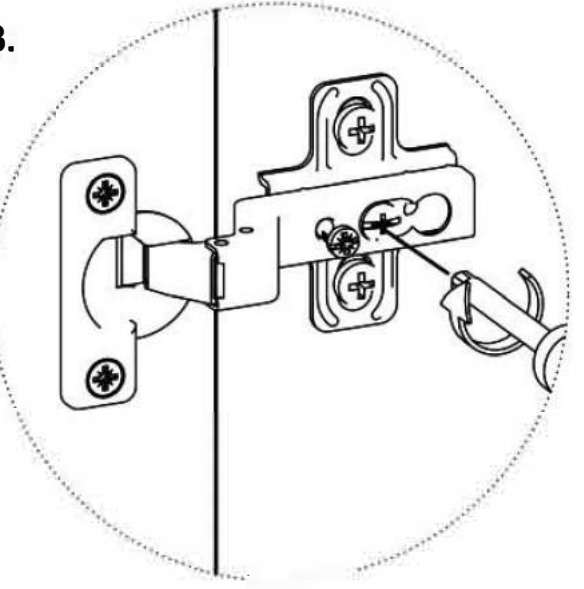
1.



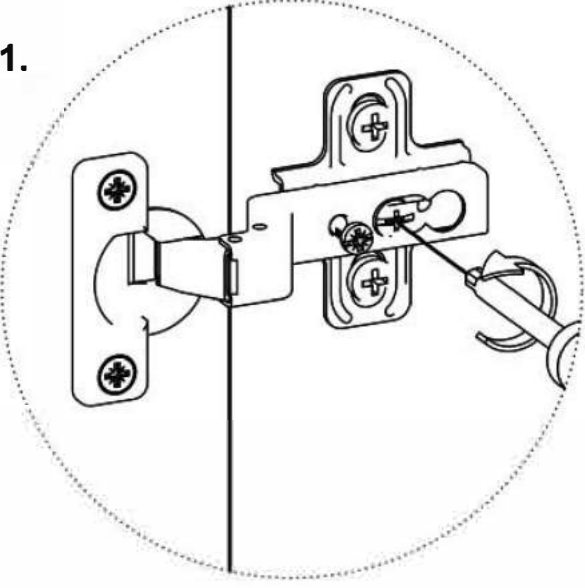
2.



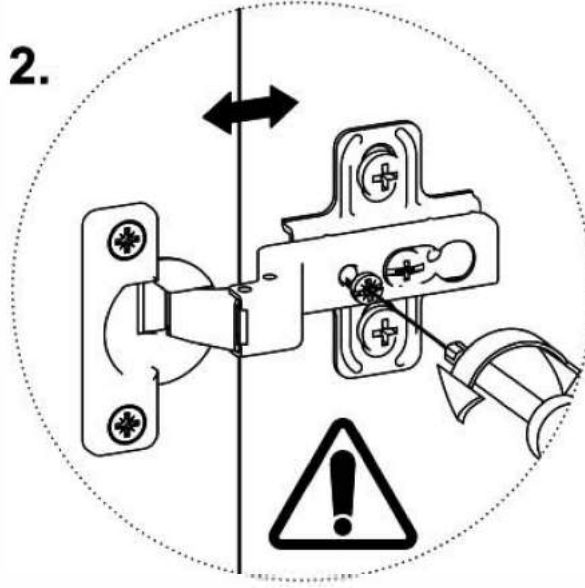
3.



1.



2.



3.

