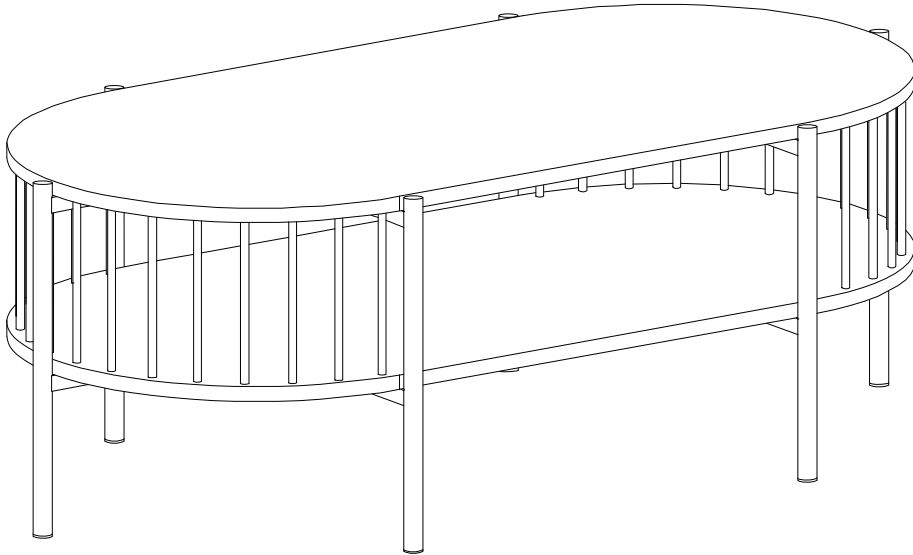
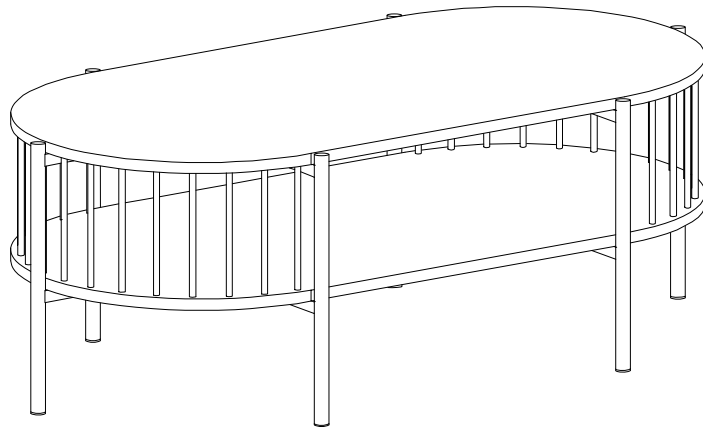


# OREANA





Assembly instructions for the table base, including tool requirements, time, and personnel.

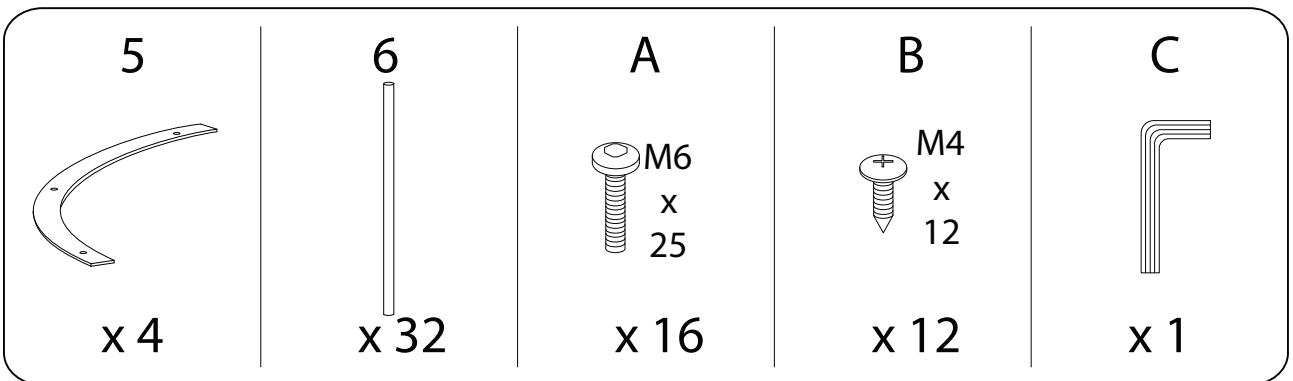
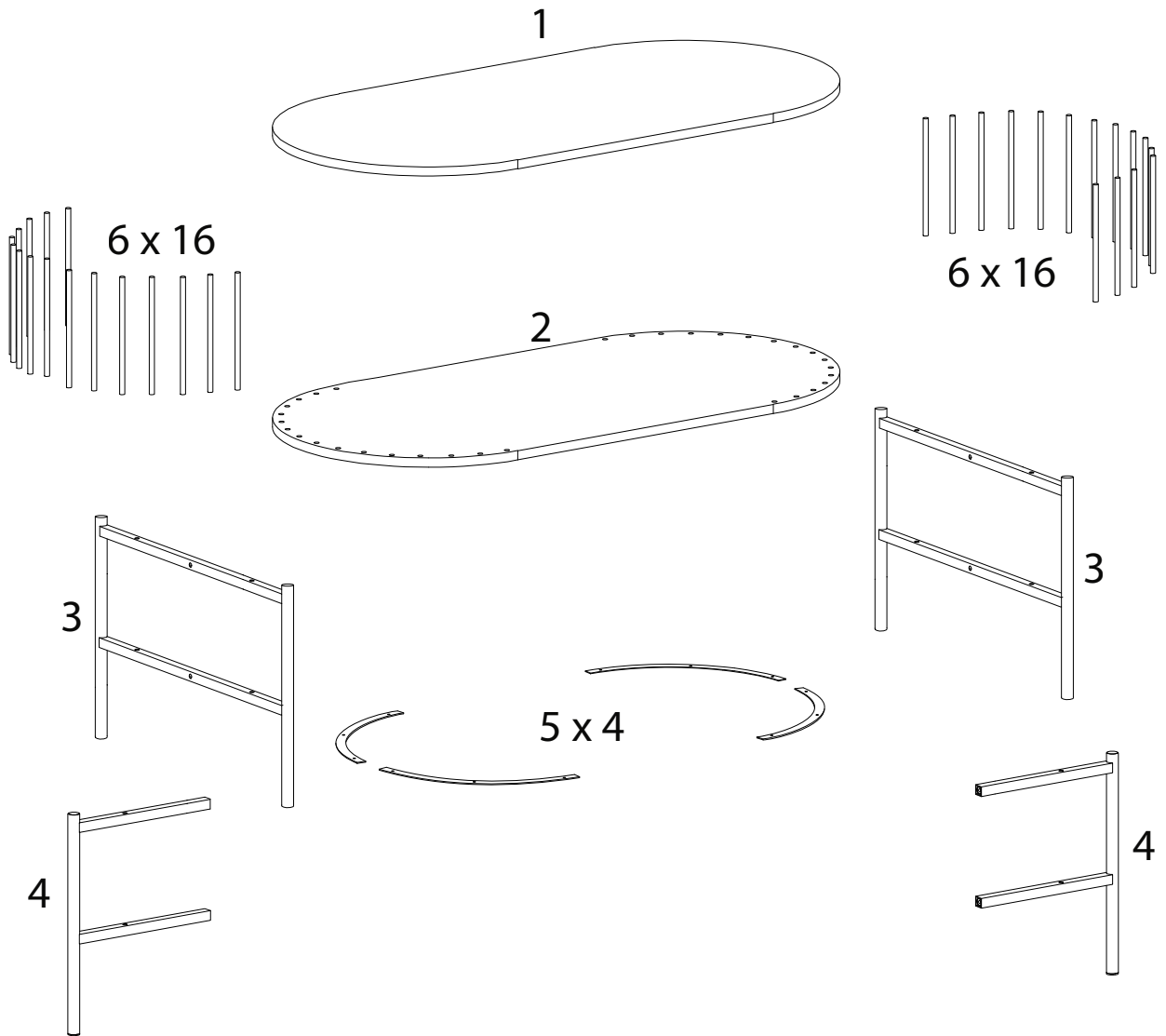
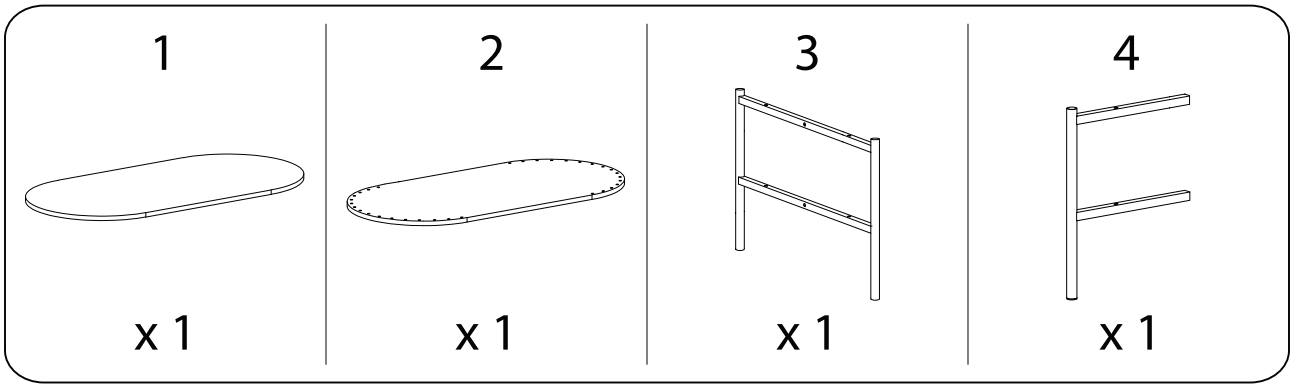
**Tools:** A circle containing a screwdriver and an Allen key. A power drill is shown with a diagonal line through it, indicating it is not to be used.

**Warning:** A triangle with an exclamation mark.

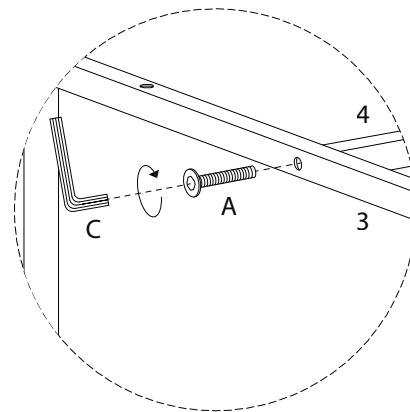
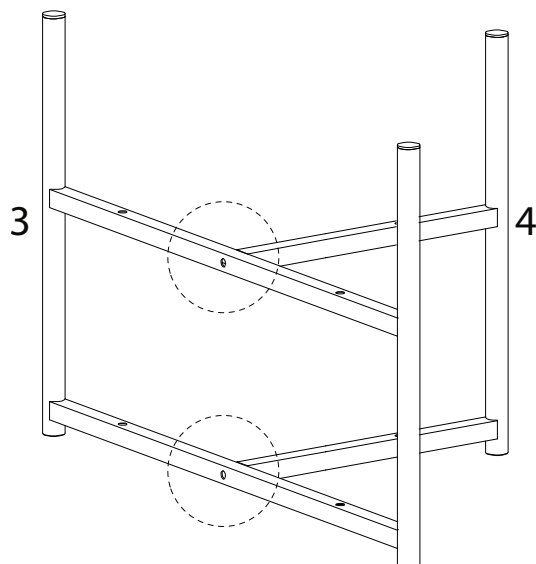
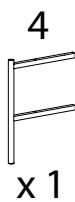
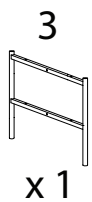
**Time:** A clock icon with a circular arrow, indicating a 30-minute duration.

**Personnel:** A person icon with the number 2 below it, indicating that two people are required for assembly.

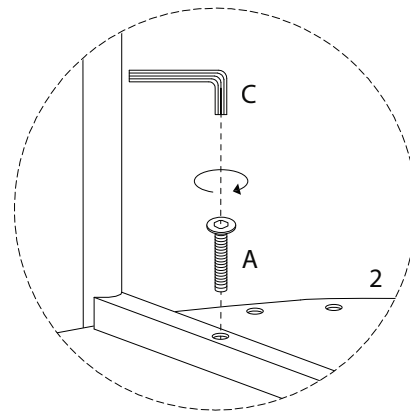
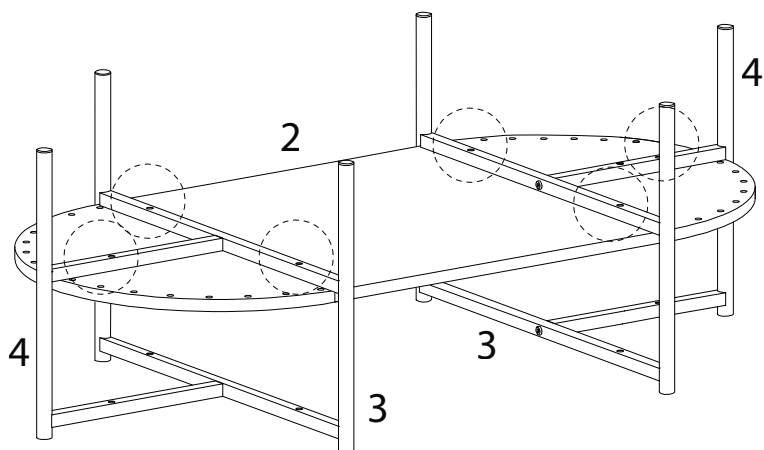
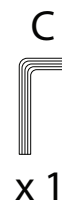
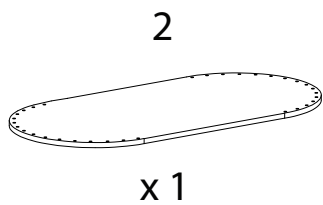
**Assembly Diagram:** A circle containing a rectangular block being placed on a textured surface. A second diagram shows the block being secured with a screw from underneath, with a diagonal line through it indicating the correct assembly method.



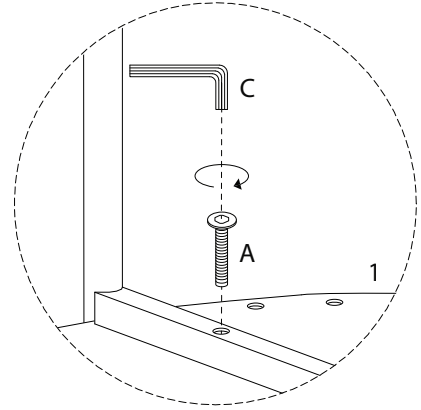
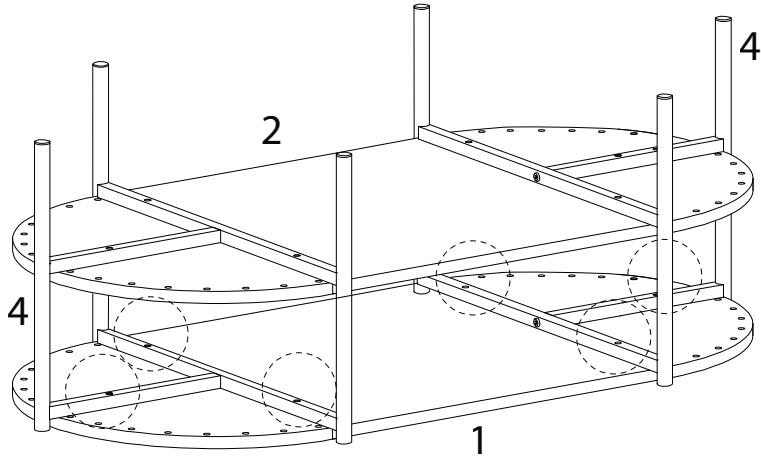
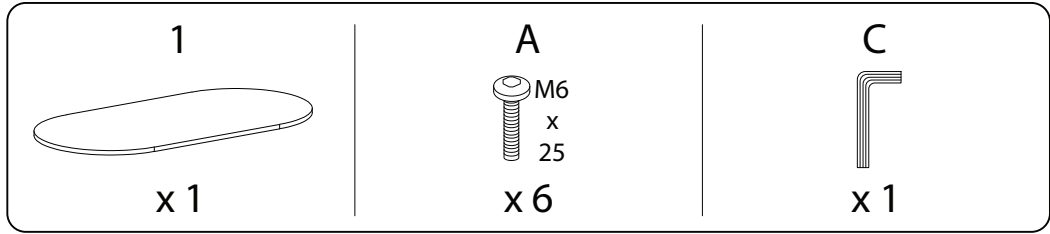
1 x 2



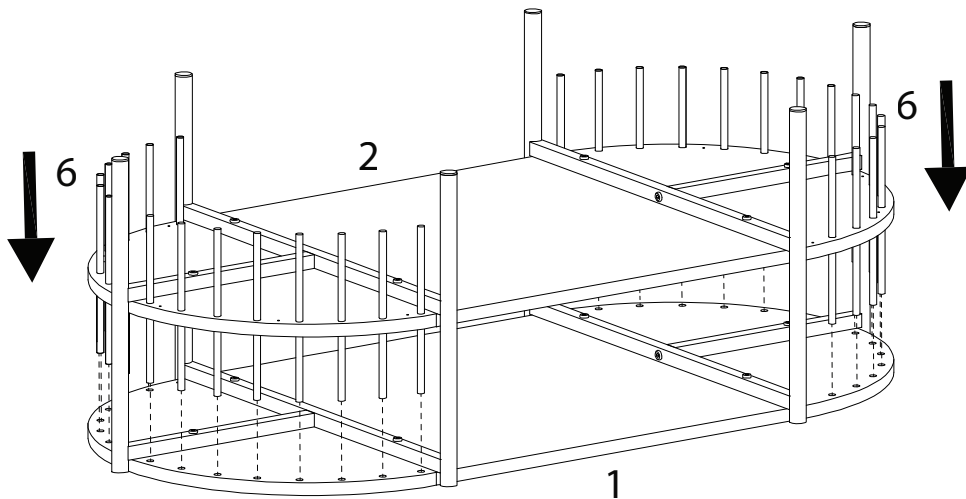
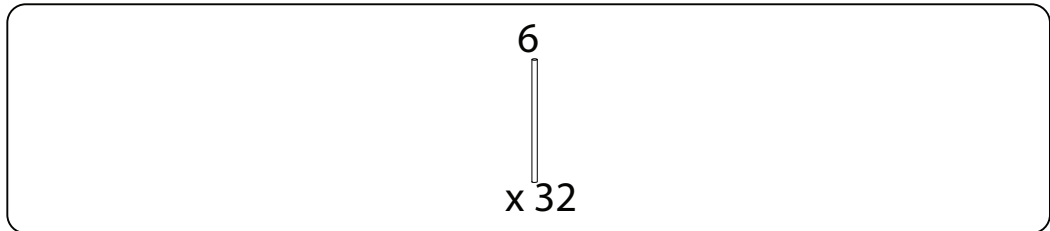
2



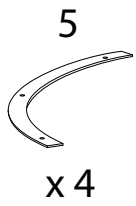
3



4



5



B

