



## Owner's Manual

OSLO F-OS063W  
NAPUKA 522625 EN

	  <p><b>QUESTIONS? PROBLEMS?MISSING PARTS?</b> For FAQ, Manuals, Videos or Spare Parts, please visit <a href="http://www.the-mspa.com/support">www.the-mspa.com/support</a></p>
---	---

Due to MSpa's continuous product improvement process, MSpa reserves the right to change the specifications and appearance of its products, which may result in updates to the instruction manual without prior notice.



MSpa Official Site



MSpa Setup Videos



MSpa Service Center List



MSpa Owners Manual (Multi-language)

## CONTENT

---

Safety precautions.....	3
Specifications.....	7
Accessories.....	7
First use and set-up preparation.....	8
Spa set-up.....	9
Control operation.....	11
Led light strip operation.....	13
Water maintenance and chemicals.....	14
Drainage, cleaning and storage.....	15
Precautions for winter use.....	17
Disposal and environmental protection.....	17
Troubleshooting.....	18
MSPA limited warranty.....	19



## SAFETY PRECAUTIONS

---

For your own safety and that of your product, please make sure to follow the safety precautions below. Failure to follow the instructions may result in serious injury, property damage or death. Improper installation or operation will void the warranty.

**PLEASE ENSURE THAT YOU READ, UNDERSTAND AND FOLLOW ALL INSTRUCTIONS  
KEEP THIS MANUAL FOR FUTURE REFERENCE**

### DANGER

- Risk of Accidental Drowning. Extreme caution must be exercised to prevent unauthorized access by children.
- Risk of drowning. Inspect the spa cover regularly for leaks, premature wear and tear, damage or signs of deterioration. Never use a worn or damaged cover as it will not provide the level of protection required to prevent unsupervised access to the spa by a child.
- Risk of drowning. Always lock the spa cover after each use.
- Risk of injury. The suction fittings in this spa are sized to match the specific water flow created by the pump. Never operate the spa if the suction fittings are broken or missing. Never replace a suction fitting with an incompatible one.
- Appliances that are obviously damaged must not be operated.
- Risk of injury. If the supply cord is damaged, it must be replaced by the manufacturer, a service agent or a similarly qualified person in order to avoid hazards.
- Risk of Electric Shock. Do not permit any electrical appliances, such as lights, telephones, radios or televisions, within 1.5m (5 feet) of a spa tub.
- Risk of Electric Shock. Do not use the spa when it is raining, thundering or lightning.

### WARNING

- To reduce the risk of electric shock, do not use an extension cord, timers, plug adaptors or converter plugs to connect the unit to the electrical supply; provide a properly located outlet.
- This appliance with its incorporated heating elements must be connected to a grounded mains supply socket with a supply cord fitted with a plug and a PRCD (portable residual current device) with a tripping current of 10mA.
- This appliance with earthing must only be plugged directly into an earthed socket-outlet for fixed wiring.
- Parts containing live components, except those parts supplied with safety extra-low voltage not exceeding 12V, must be inaccessible to anyone using the spa.
- Parts incorporating electrical components, except remote control devices, must be located or fixed so that they cannot fall into the spa.
- Electrical installation should fulfill the local requirement or standards.
- The wired controller must be properly stored in the side pocket when not in use, to protect it from falling or other hazards.
- This appliance can be used by children aged 8 years and above and by persons with reduced physical, sensory or mental capabilities or a lack of experience and knowledge, provided that they are supervised or have been instructed on the safe use of the appliance and understand the hazards involved. Children must not play with the appliance or perform any cleaning or user maintenance operations without supervision.
- To reduce risk or injury, keep children away from this product unless they are closely supervised at all times.

- To reduce the risk of child drowning, supervise children all times. Attach and lock the spa cover after each use.
- Make sure that the floor is able to support the expected load, which can be found on the specifications sheet. You will need to calculate the expected water capacity load plus the total weight.
- An adequate draining system must be provided around the spa to deal with overflow water.
- To reduce the risk of injury:
  - a) Lower water temperatures are recommended for young children and when spa use exceeds 10 minutes. In order to avoid the possibility of hyperthermia (heat stress) occurring, it is recommended that the average spa-pool water temperature does not exceed 40°C (104°F). Consider that the comfortable temperature rangeduring use may be lower than the maximum safe temperature.
  - b) Since excessive water temperatures have a high potential for causing fetal damage during the early months of pregnancy, pregnant or possibly pregnant women should limit the spa water temperature to 38°C (100°F).
  - c) Before entering the spa or hot tub, the user should measure the water temperature with an accurate thermometer since the tolerance of water temperature regulating devices may vary.
  - d) The use of alcohol, drugs or medication before or during spa use may lead to unconsciousness with the possibility of drowning.
  - e) The use of alcohol, drugs or medication can greatly increase the risk of fatal hyperthermia in spas.
  - f) The causes and symptoms of hyperthermia may be described as follows: Hyperthermia occurs when the internal body temperature reaches a level several degrees above the normal body temperature of 37°C (98.6°F). The symptoms of hyperthermia include an increase in the body's internal temperature, dizziness, lethargy, drowsiness, and fainting. The effects of hyperthemia include a failure to perceive heat; a failure to recognize the need to exit the spa; an unawareness of impending hazards; fetal damage in pregnant women; a physical inability to exit the spa; and unconsciousness resulting in the danger of drowning.
  - g) Obese persons or persons with a history of heart disease, low or high blood pressure, circulatory system problems, or diabetes should consult a physician before using a spa.
  - h) Persons using medication should consult a physician before using a spa since some medication may induce drowsiness or affect the heart rate, blood pressure, or circulation.
  - i) Check with a doctor before use if pregnant, diabetic, in poor health, or under medical care.
- People with an infectious disease should not use a spa or hot tub.
- To avoid injury, exercise care when entering or exiting the spa or hot tub.
- Water temperatures in excess of 40°C (104°F) may be injurious to your health.
- Never use a spa or hot tub alone or allow others to use the spa alone.
- Do not use a spa or hot tub immediately following strenuous exercise.
- Spa heat in conjunction with alcohol, drugs, or medication can cause unconsciousness.
- Exit immediately if uncomfortable, dizzy, or sleepy. Spa heat can cause hyperthermia and unconsciousness.
- To prevent freezing, the spa must not be exposed to temperatures below 0°C (32°F) if there is still water in the pool. It is helpful to place a temperature barrier mat between the spa pool and the ground. A similar mat made of foam or any other material with a heat barrier function can also be used. Do not turn on the spa when the water is frozen.
- Never pour water with a temperature higher than 40°C (104°F) into the spa directly.
- Always unplug the product from the electrical outlet before removing, cleaning, servicing or making any adjustments.
- Never jump or dive into a spa or any shallow body of water.
- No part of the electric appliance is to be located above the bath during use.



- Do not bury the electrical cord. Locate the cord where it will not be damaged by lawn mowers, hedge trimmers or any other equipment.
- Do not attempt to plug in or unplug the product while standing in water or when your hands are wet.
- Do not use the spa if it is damaged on delivery and/or if it malfunctions in any way.
- Contact the MSpa service center for further instructions.
- Keep all pets away from the spa to avoid any damage.
- Do not add bath oil or bath salt to the spa water.
- Avoid putting your head under the water at all times.
- Avoid swallowing the spa water.
- The spa contains a UVC emitter. To replace or repair the UVC emitter, contact a professional operator. It's strictly forbidden for users to replace the UVC emitter. Unintended use of the appliance or damage to the housing may result in the escape of dangerous UVC radiation. UVC radiation, even in small doses, may cause harm to the eyes and skin.
- **WARNING: Do not operate the UVC emitter when it is removed from the appliance enclosure or when the appliance is obviously damaged.**
- Consult experts or local authorities to apply local or national laws/regulations relating to childproof fencing, safety barriers, lighting, and other safety requirements.

### CAUTION

- Always add chemicals to water, never add water to chemicals. Adding water to chemicals may cause strong fumes or violent reactions and hazardous chemical spray.
- For water that has already been used, dispose of it promptly or use water chemicals for cleaning.
- Usually, it is recommended to drain and refill a spa with clean water every 3-5 days.
- Use the chemical kit for disinfection in accordance with manufacturer's instructions.
- Do not leave or set up the spa with a temperature lower than 4°C (39°F) if the heater is not operating.
- Always enter and exit the spa or hot tub slowly and cautiously. Take extra care if the floor is wet.
- To avoid damage to the pump, never turn on the spa or hot tub if it is not filled to the minimum water line.
- The spa or hot tub must only be placed on a properly prepared site that meets the floor loading requirement.
- Do not leave the spa empty for an extended period of time. Drain the spa completely if it is not going to be used for a long period of time. Do not expose the spa to direct sunlight.
- Check regularly before each use. When the spa is not in use, store it away immediately or keep it in an enclosed area.
- Open the spa top lid when the Bubble function is on.
- In order to avoid a hazard due to the inadvertent resetting of the thermal cut-out, this appliance must not be supplied through an external switching device, such as a timer, or connected to a circuit that is regularly switched on and off by the utility.
- Once the spa is installed, refer to the relevant chapters for details concerning cleaning, periodic checks and other maintenance.
- Do not pull or break the light strip with excessive force when install or disassemble the LED strip to or from the spa pool. Be aware of the LED strip chip is not exchangeable or removable.
- Only use the MSpa AC power adapter to connect the LED strip.
- To reduce the risk of strangulation, the flexible wiring connected to this luminaire shall be effectively fixed to the wall if the wiring is within arm's reach.
- Do not operate the LED strip or connect to the power if the package is unpacked.
- Be aware of the linear LED strip can only be operated individually. Do not connect the strip with other LED strip.
- It is recommended to keep the original package or user's manual.
- The external flexible cable or cord of this luminaire cannot be replaced; if the cord is damaged, the LED strip shall be destroyed.

## SPA LINER WARNING EXPLANATION



Adult supervision



Read user's manual

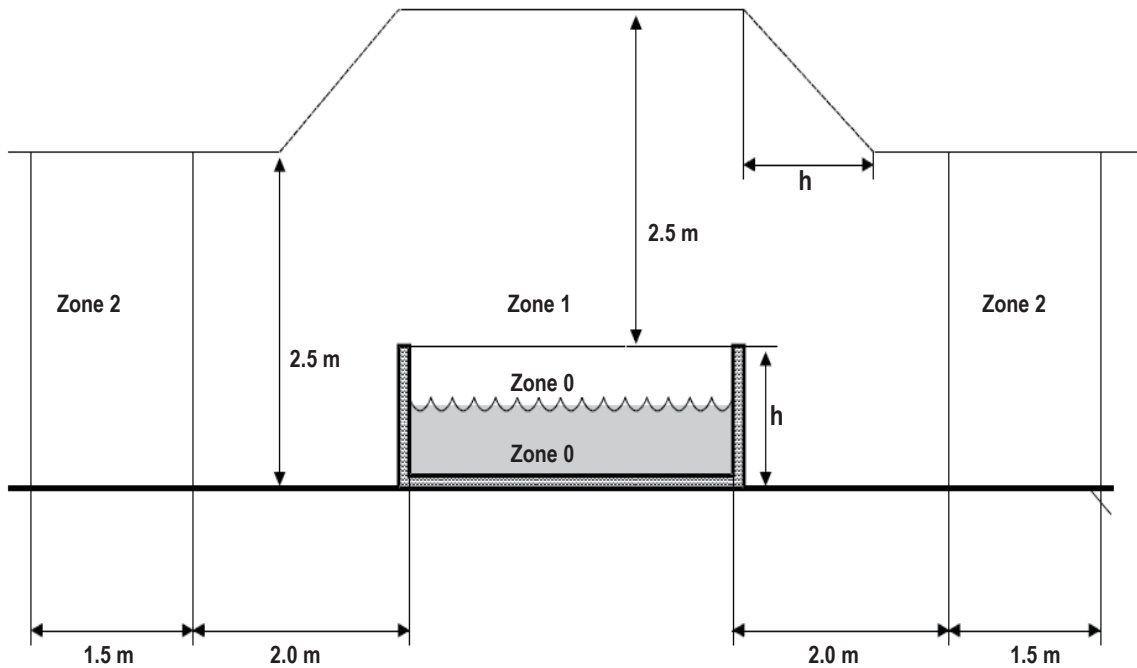


No diving



Do not put fingers  
in massage jet


**Warning:** The appliance's water protection levels vary across different product zones, as shown in the following diagram. **(The installation regulations comply with IEC 60364-7-702.)**

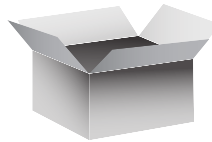


**NOTE -** The measured zone dimensions are limited by walls and fixed partitions.

Zones	Description of the zones
Zone 0	Zone 0 is the interior of the basin including any recesses in the walls or floor.
Zone 1	Zone 1 is limited by <ul style="list-style-type: none"> <li>• Zone 0</li> <li>• A vertical plane 2m from the rim of the basin.</li> <li>• The floor or the surface expected to be occupied by the users.</li> <li>• The horizontal plane 2.5m above the floor or the surface.</li> </ul>
Zone 2	Zone 2 is limited by <ul style="list-style-type: none"> <li>• A vertical plane external to zone 1 and a parallel plane 1.5m from the former.</li> <li>• The floor or surface intended to be occupied by the users.</li> </ul>

# SPECIFICATIONS

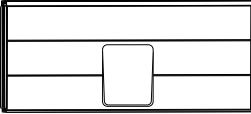
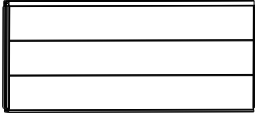



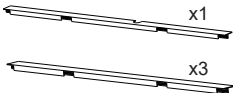




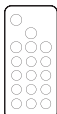





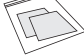


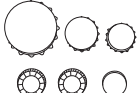


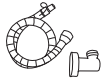

Model No./ Name	Shape	Seating Capacity	Water Capacity	Outside Dimensions	Inside Dimensions	Height	Weight	Temp Increasing Rate
F-OS063W OSLO	Square	6 	850 L (224 Gal.)	1.6 m (63") x 1.6 m (63")	1.4 m (55") x 1.4 m (55")	0.65m (26")	109.6 kg (241.6 lbs)	1.6-2.2 °C/h
Control System & Rating Power	Jet pump	Heater	Massage Air Blower	Filter Pump	Integrated Ozone Generator	UVC Radiant flux	Top Lid	Shell Material
AC 220-240V~50Hz 2300W	1100W	2200W	Level 1: 300W Level 2: 500W Level 3: 720W	1800L/hr	5.5W, 30-50mg/hr	2000uW	Rhino-Tech™ reinforced PVC	Plastic wood
Item	Model	Power Supply	Length (m)	LED Chips (pcs)	Lighting Mode			
LED - 6DC12R - OS	LED strip for 6-person square spa	DC12V, 22W	5.2	171	21 Dynamic Modes, 20 Static Colors			



## PARTS CHECKS

Please examine equipment before use.

Notify customer service of any damaged or missing parts at the time of purchase.

<b>1</b>  Open-end panel *1	<b>2</b>  Plastic wood panel *3 One with MSpa Logo	<b>3</b>  Spa liner with LED light strip	<b>4</b>  Corner beam *4	<b>5</b>  Top trim *4		
<b>6</b>  Bottom seal *4	<b>7</b>  Buckle spa cover	<b>8</b>  Foldable foam mat	<b>9</b>  Inflatable bladder	<b>10</b>  Jet Control Box		
<b>11</b>  remote controller for light strip	<b>12</b>  Top trim joint *4	<b>13</b>  Soft corner cushion *4	<b>14</b>  Side panel joint *4	<b>15</b>  Headrest *4	<b>16</b>  User manual	<b>17</b>  Repair kit
<b>18</b>  Filter cartridge *2 Filter cartridge base*1	<b>19</b>  Garden hose adaptor	<b>20</b>  Water / air channel stoppers	<b>21</b>  Wrench	<b>22</b>  Chemical dispenser for 1" tablets	<b>23</b>  Inflation hose and adaptor for bladder	<b>24</b>  screw*4+ L-shape wrench

### NOTE:

The drawings are for reference only. Actual products may vary. Not to scale.

# FIRST USE AND SETUP PREPARATION

## Site preparation and requirements

- The spa can be installed indoors or outdoors in around 15 minutes by 2 persons. For household use only.
- The spa must be set up on a flat, smooth, and supporting surface that can bear the maximum load of the filled spa with the listed maximum number of occupants. Check with a qualified contractor or structural engineer to verify the requirement.
- Make sure that the area is free of sharp objects under or around the spa. The uneven or unsound surface can damage the spa and void your warranty. Level the surface before filling the spa with water.
- Provide an adequate drainage system around the spa to deal with overflow water and splashes.
- Provide convenient, local water use regulations for refill methods and adjust parameters as required by the water treatment department. Make sure there is enough space around the spa to allow full use of the equipment for maintenance and/or service.
- Consider locating the spa with as little noise disturbance as possible.

## Additional requirements for indoor installation

- Humidity is a natural side effect of indoor spa installation. The room must be properly ventilated to allow moisture to escape. Install a ventilating system to prevent excess condensation and moisture in the room.
- Ensure that the spa can be removed from the building without destroying any part of the built structure.
- Consider any local regulations on these topics.
- Consider not installing the spa on carpet or other floor materials that promote or harbor moisture and bacteria, or that could be affected by water treatment chemicals used in the spa.

## Additional requirements for outdoor installation

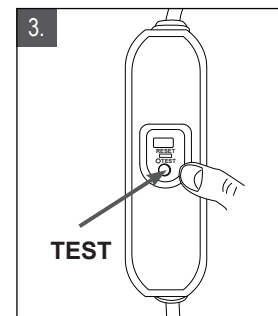
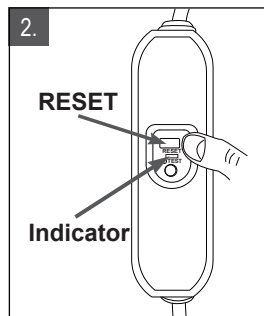
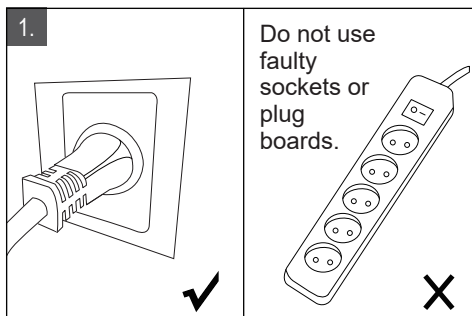
- Do not place the hot tub on grass or dirt as this will increase the amount of debris entering the hot tub and can damage the floor. To ensure a longer life, do not expose the hot tub to direct sunlight.
- Do not install or use the spa outdoors at a temperature lower than 4°C (39°F).
- Do not use the spa when the water inside the circulation system, pump, or pipework is frozen. Put a heat preservation mat between the base of the spa and the ground to prevent heat loss from the bottom of the spa and to provide better heat retention.
- Consider local environmental conditions, such as groundwater and the risk of frost.

## PRCD Testing

### ⚠ WARNING

Risk of electric shock: This product is provided with a PRCD located at the end of the power cord. The PRCD must be tested before each use. Do not use the spa if the PRCD does not function properly. Disconnect the power cord until the fault has been identified and corrected. Contact a licensed electrician to correct the fault. There are no serviceable parts inside the PRCD. Opening the PRCD will void the warranty.

1. Plug the machine into the mains.
2. Press the RESET button on the PRCD. The indicator turns red.
3. Press the TEST button on the PRCD. The red color shown on the indicator should disappear. Otherwise the PRCD is faulty. Do not use the spa if the spa is faulty. Contact a qualified electrician to correct the fault.
4. Press the RESET button on the PRCD again. The indicator should turn red. When it does, the spa is ready for use.

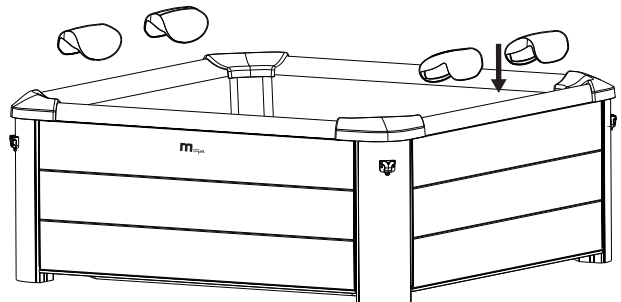
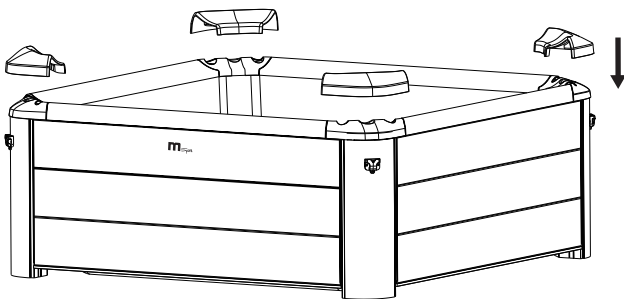
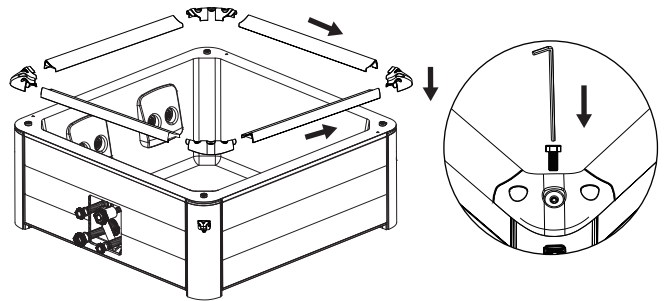
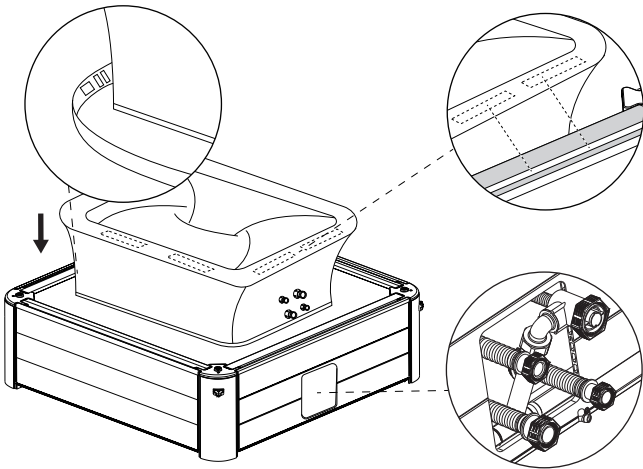
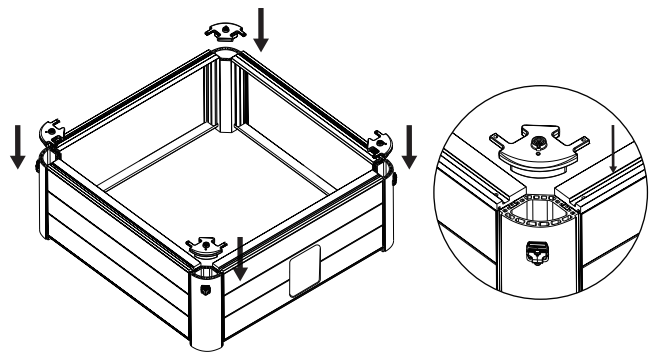
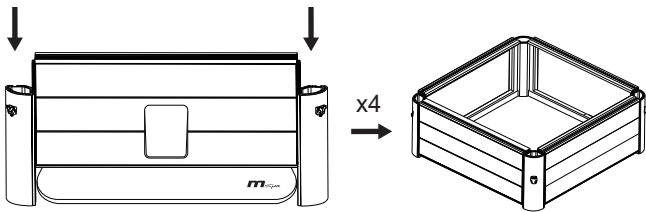
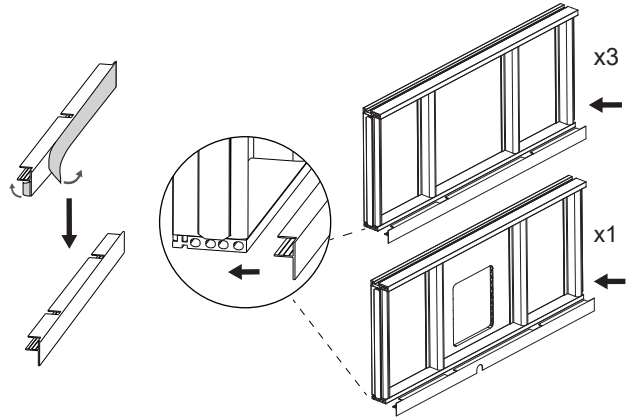
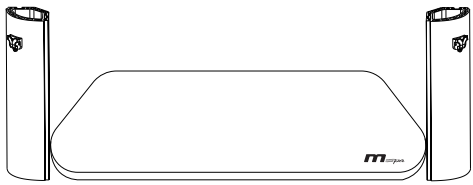


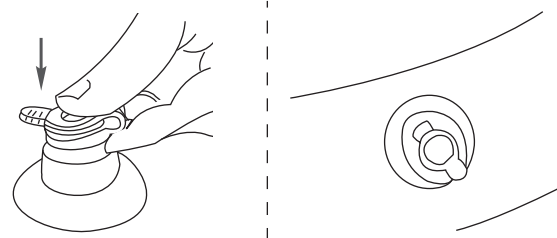
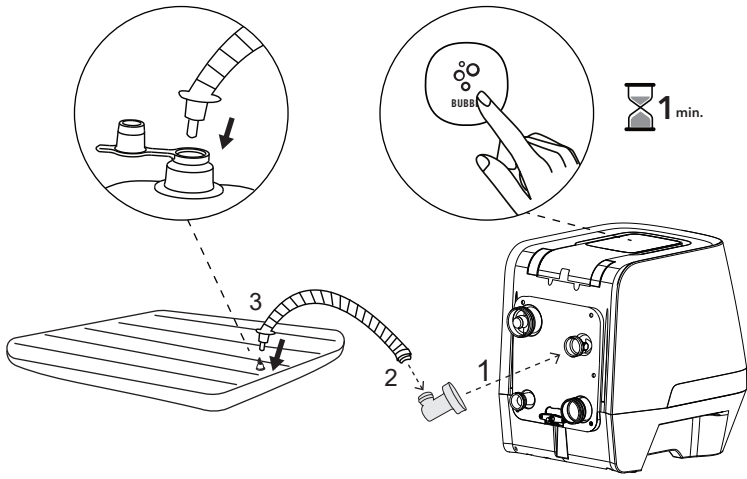
## Spa Control Unit Connected External Equipotential Bonding Conductors

A qualified electrician should wire the spa control unit to the household equipotential terminal using a minimum 1.5mm<sup>2</sup> solid copper conductor.

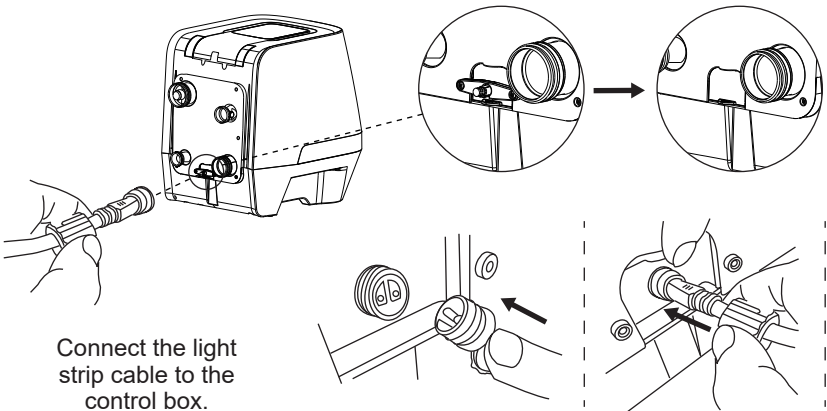
**NOTE:** Move the entire package to the selected site. Do not drag the spa tub across the ground as this can cause damage and leakage. Open the carton carefully as this can be used to store the spa over long periods or when not in use.

# SPA SETUP

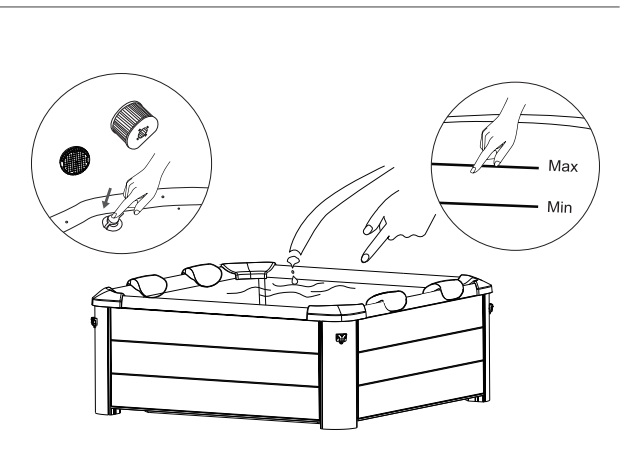
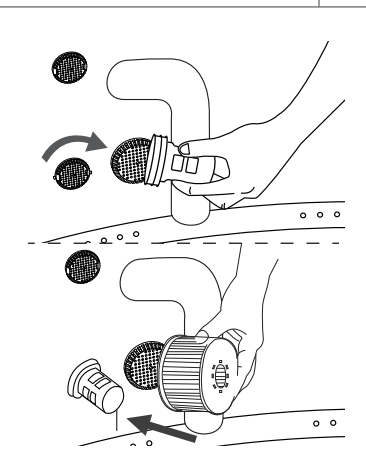
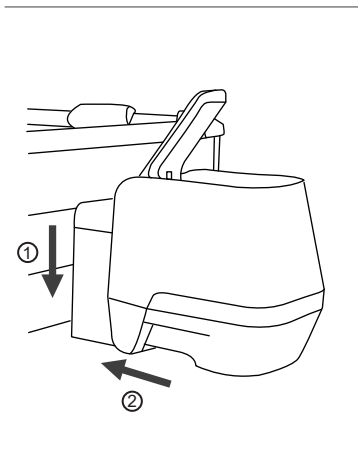
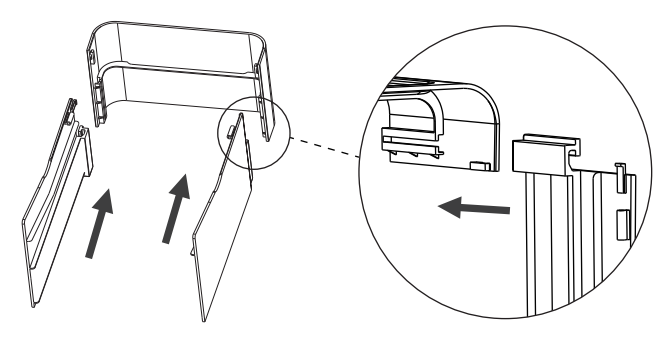
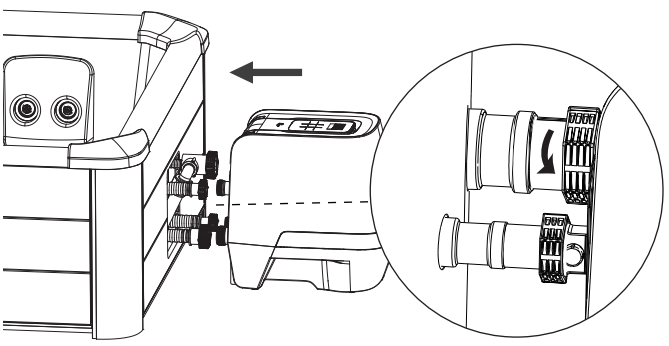
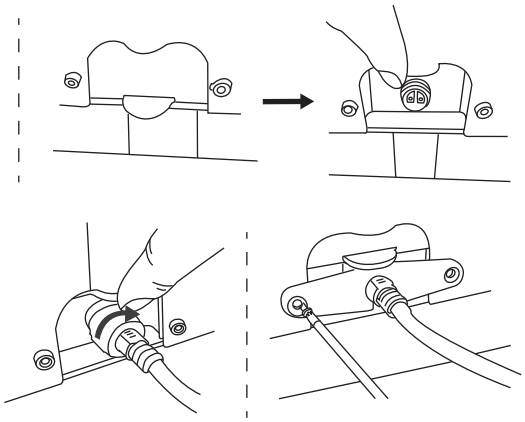




Long press the BUBBLE button for more than 3 seconds to stop inflation.

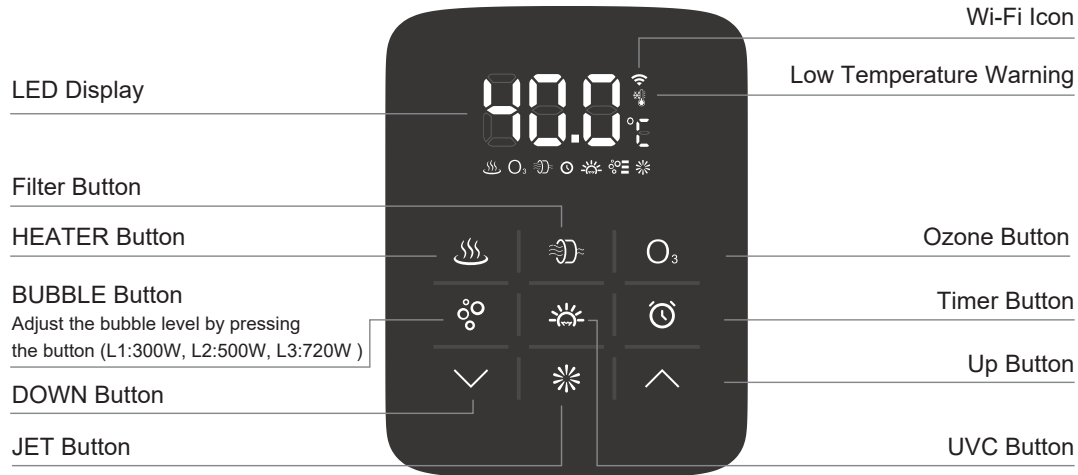


Connect the light strip cable to the control box.





# CONTROLLER OPERATION



## LED display

Once powered-up, press the RESET on the PRCD. The LED displays the current water temperature automatically.  
**NOTE:** The actual water temperature may vary from the temperature displayed on the LED screen by as much as approximately 1°C.

**Energy saving mode:** Your spa will enter energy saving mode after 30 minutes of inactivity. In this mode, the screen brightness will be reduced and unintentional touches to the button will not work. Tap any button (except UP/DOWN button) to exit energy saving mode.




## JET Button

Press the  **JET** button to turn the water jet massage function on and off. The JET button lights up when activated.

**NOTE:** The BUBBLE button can only be adjusted to L1 or L2 when the JET system is activated.

**NOTE:** The JET system will shut off automatically after one hour.

**NOTE:** The JET function cannot be activated when the water or ambient temperature is below 1°C / 33.8°F.

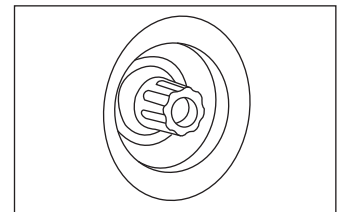
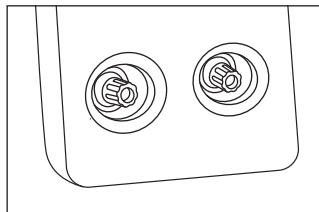
**NOTE:** The JET function cannot be activated when the Low temperature protection is on .

**NOTE:** The Low temperature protection will be automatically released when water temperature is above 20°C / 68°F.

**NOTE:** The Low temperature protection can be manually released by long pressing the  JET button.


## Jet Operation


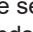
Adjust the jet nozzle to change the water stream directions.  
 Screw the jet nozzle to change the water stream strength.



20-40°C

## HEATING

1. Press the  **HEATER** button to turn the heating system on/off. Both HEATER and FILTER button light up when heating function is activated.

2. Pressing the  **UP** or  **DOWN** button will cause the LED to flash. When it is flashing you can adjust the water to the desired temperature setting (from 20°C to 40°C). The new and desired temperature setting will remain on the LED display for 3 seconds to confirm the new value.

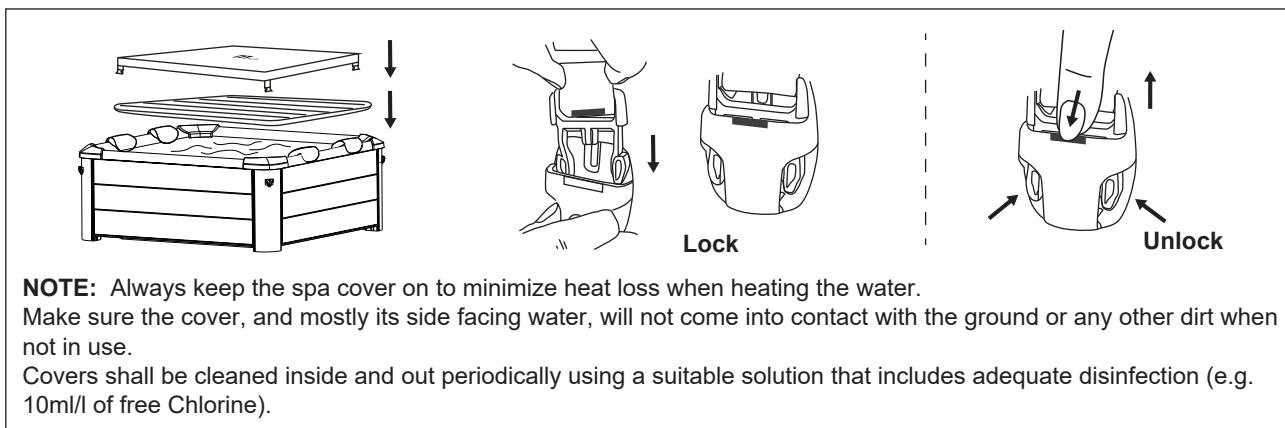
**NOTE:** The default temperature is 40°C.

**NOTE:** If the heating system is turned on, the filtration system will automatically start.

**NOTE:** When the water temperature is below 1°C (33.8°F), the anti-icing system will be activated automatically to heat the water to 3°C (37.4°F).

**IMPORTANT:** The following conditions will lead to slow water heating

- An ambient temperature lower than 10°C (50°F).
- An outdoor wind speed above 3.5-5.4m/s (8-12mph).
- If the air bubble function is activated when the heater is on.
- If the spa cover is not properly in place when the heater is on.



Your spa is equipped with a 2200W PTC heater. To guarantee you a best spa experience, it will intelligently allocates the power according to different function being activated.



### FILTRATION

Press the  **FILTER** button to turn the function on/off. The button lights up when function is activated.

**NOTE:** The filtration system will automatically start when the heating, Ozone or UVC sanitizing system is activated.


**NOTE:** After turning off the heating system, the filtration system will automatically stop in 30 seconds.



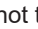
**Filter Cartridge Cleaning Reminder:** When the FILTER icon flashes continuously, the filter cartridge must be cleaned or replaced. Once this has been done, press the Filter button for 3 seconds to reset the reminder.

**Auto-filtration:** When the spa is in stand-by mode, the filtration system will operate automatically for 60 minutes every 8 hours. When the ambient temperature is below 1°C / 33.8°F, the filter will run automatically to prevent the tube from freezing.



### BUBBLE MESSAGE

Press the  **BUBBLE** button to turn the function on; hold down the BUBBLE button for 3 seconds to turn the function off. The BUBBLE button lights up when function is activated.

The bubble setting can be adjusted to three different levels. The default setting is at level 3  (720W). Press the BUBBLE button to switch the setting to level 1  (300W). Press it again to switch to level 2  (500W).

**IMPORTANT:** Do not turn on the massage system when the cover is attached. Air can accumulate inside the spa and cause irreparable damage and bodily harm.




**NOTE:** The bubbling massage function will shut down automatically after every 20 minutes of operation as a safety precaution. This can be reactivated after 10 minutes by pressing the BUBBLE button again.



### HEATING TIMER

To set the number of hours **FROM NOW** when the heater will activate:

1-99H

1. Press the  **TIMER** button to enter pre-setting mode. The button lights up.
2. Pressing the  **UP** or  **DOWN** button will cause the LED to flash. While it is flashing, you can adjust the number of hours before heater activation (from 1 to 99 hours). The desired timer setting will remain on the LED display for 3 seconds to confirm the value.


**To modify the timer setting:** Press the Timer button again and use the UP or the DOWN button to adjust.

**Cancel the setting:** Press the TIMER button for 3 seconds.

**NOTE:** Activating the heating system or rebooting the spa will cancel the timer setting.




### UVC SANITIZER

Press the  **UVC** button to turn the UVC sanitizing system on/off. When the button lights up, the UVC sanitizing system is activated.

**NOTE:** The UVC emitter is built inside the control box. Therefore, the function can be turned on at any time, even with people inside the spa.




### OZONE

Press the  **OZONE** button to turn the function on/off. The button lights up when the function is activated. The Ozonator will shut down automatically after operating for 2 hours.

**NOTE:** For your own safety, do not bathe in the spa when the OZONE function is turned on. The OZONE function cannot be turned on when the JET or BUBBLE function is on. We suggest turning on the function after using the spa.





### Celsius/Fahrenheit Toggle Button

The temperature can be displayed in either Celsius or Fahrenheit. Press the  **DOWN** button for 3 seconds to toggle between the two options.

3s



### SAFETY LOCK

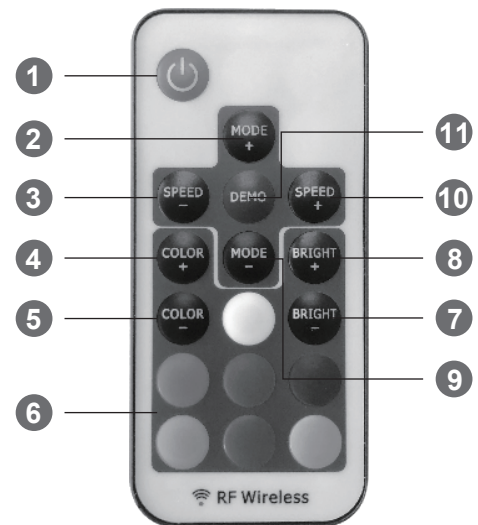
Press the  **UP** and  **DOWN** buttons at the same time for 3 seconds to lock/unlock the controller. In safety lock mode, the controller is disabled and the spa retains all previous settings.

3s

## LED LIGHT STRIP OPERATION

### SPECIFICATIONS

Dynamic mode	21 modes
Static Color	20 colors
PWM Grade	256 levels
Brightness Grade	5 levels
Speed Grade	10 levels
Demo mode	Yes
Direct Color Select	Yes
Output Colo Switchable	Yes, 6 options
Working Voltage	DC 5~24V
Output Current	3x4A peak, 3x2A constant
Remote frequency	433.92MHz
Remote distance	>15m at open area



### OPERATION

#### Using Remote Controller

Pull out the battery insulating tape before using. Install button batteries (not included).

#### Pairing New Remote

The light strip and remote controller from the same set have already been paired. To pair light strip to additional or new remote controller, please follow the step below:

1. Unplug the light strip. Plug it back after 5 seconds.
2. Press "SPEED+" and "SPEED-" at the same time and hold for 5 seconds. The pairing is completed.

#### Switch Color Sequence

If the direct color button doesn't match output LED light, follow below steps to adjust the light sequences:

1. Unplug the light strip. Plug it back after 5 seconds.
2. Press RED and BLUE button together and hold for 5 seconds. With this operation, the output light sequence will switch between 6 possible combinations.

### FUNCTIONALITY

#### 1. Turn On / Standby

Press the button to turn on the light strip or switch to standby mode. When being powered on, the light strip will automatically turn on and restore to the previous state.

#### 2/9. Dynamic Mode Adjust

Switch to dynamic mode from static color, or switch between dynamic modes.

#### 3/10. Dynamic Speed Adjust

Adjust the dynamic playing speed. The light will switch to dynamic mode If press this button at static color mode.

#### 4/5. Static Color Adjust

Switch to static color mode from dynamic mode, or switch between static colors.

#### 6. Direct Color Select

Select static colors directly. When press the specific color button, light strip will play the same static color. The direct colors are included in "COLOR+" and "COLOR-" operation.

#### 7/8. Brightness Adjust

Adjust static color brightness. The light will switch to static color mode If press this button at dynamic mode.

#### 11. Demo Mode

Press this button will switch to Demo mode. At demo mode, it plays 17 dynamic modes in loop, each mode repeats 3 times.

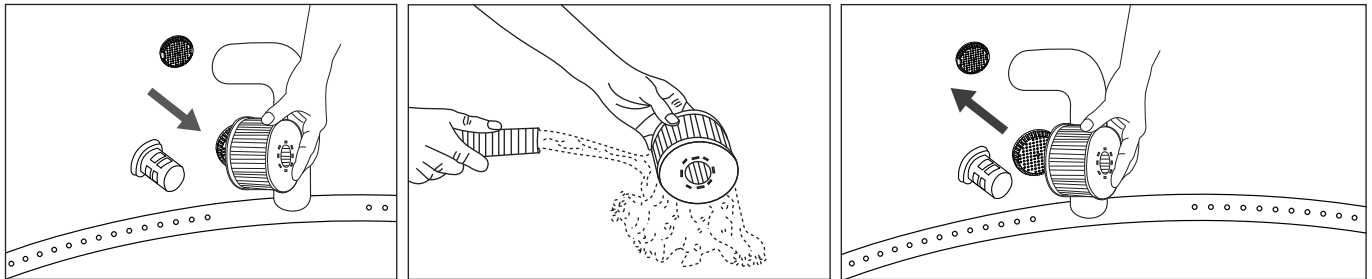
# WATER MAINTENANCE AND CHEMICALS

---

**CAUTION: ALWAYS ENSURE THE SPA IS UNPLUGGED BEFORE STARTING ANY MAINTENANCE WORK TO AVOID THE RISK OF INJURY OR DEATH.**

## FILTER CARTRIDGE MAINTENANCE

1. Inspect and clean the filter cartridge gently after each use. Follow the steps below:



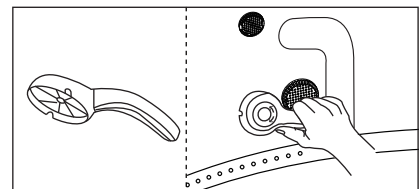
**NOTE:** Change the filter cartridge every 3-5 days, if the filter cartridge remains soiled and discolored.

**NOTE:** When the spa is filled with water, there should always be a filter cartridge installed on the base.

**NOTE:** Turn off all the functions before changing or cleaning the filter cartridge.

2. If the spa's inlet or outlet becomes clogged with dirt, use the wrench to unscrew the cap and then clean it when necessary.

**NOTE:** Before unscrewing the part, make sure the spa is empty. Never unscrew it when the spa is filled with water!



## SPA WATER

1. Change the spa water every 3-5 days depending on use. If dirt is visible in the water or if the water becomes cloudy and the correct water chemistry does not clear it up, change the water and clean the spa tub. See the "Cleaning, draining and storage" section for instructions.
2. We recommend taking a shower before using the spa, as cosmetic products, lotions and other residues on the skin can quickly degrade the water quality.
3. When the spa is not in use, cover it with the buckle cover to prevent pollution.
4. Use spa chemicals to maintain the proper water conditions. Spa damage caused by chemical abuse or poor spa water management is not covered by warranty. Consult with your local spa or pool retailer for more information on chemical use.

### Water Sanitation

The spa owner must regularly check and keep the spa water sanitized with scheduled maintenance (daily, if necessary). Adding sanitizer or other chemicals will control bacteria and the reproduction of viruses in the spa water. Maintaining the correct water balance through the appropriate use of sanitizers is the most important factor in maximizing the life and appearance of the spa and ensuring clean, healthy, and safe water. Adopting the proper technique is important for testing and treating spa water. Contact your spa professional if you have any questions on chemicals, sanitizers, test kits, or test procedures.

### Water Balance

Follow the instructions below to maintain your spa water.

PARAMETER	TEST FREQUENCY	CORRECT LEVEL
pH	Daily	7.2-7.6 when using Chlorine; 7.2-7.8 when using Bromine
Free Chlorine	Daily	3-5 ppm
Bromine residual	Daily	2-4 ppm
Total Alkalinity (TA)	Weekly	80-120 ppm
Total Hardness (TH)	Weekly	200-500 ppm

### NOTE


- A low pH will damage the spa tub and pump. Any damage resulting from a chemical imbalance will void the warranty.
- A high pH (hard water) will result in white coagulations inside the filter pump, which may lead to pump damage.

### Water Treatment:

- It is good practice with an existing spa to keep all air jets open and valves closed to allow chemically treated water to flush through all pipework.
- Always follow the chemical manufacturer's instructions and health and hazard warnings.
- Never mix chemicals together. Add the chemicals to the spa water separately. Thoroughly dissolve each chemical before adding it to the water.
- Please note that chlorine and bromine products should never be mixed. This is extremely dangerous. If you usually use chlorine-based products and if you want to switch to bromine-based products or vice versa, it is essential that you change the spa water first.
- Do not add chemicals if the spa is occupied. This can cause skin or eye irritation.
- Do not overuse chemicals or use concentrated chlorine. This can damage the spa tub and cause a potential hazard to your skin. Improper chemical use will void the warranty.

**FLOATING DISPENSER**

Your spa comes with a standard chemical dispenser: This dispenser only applies to 1" tablet.  
Do not pour liquid or granules into the dispenser.

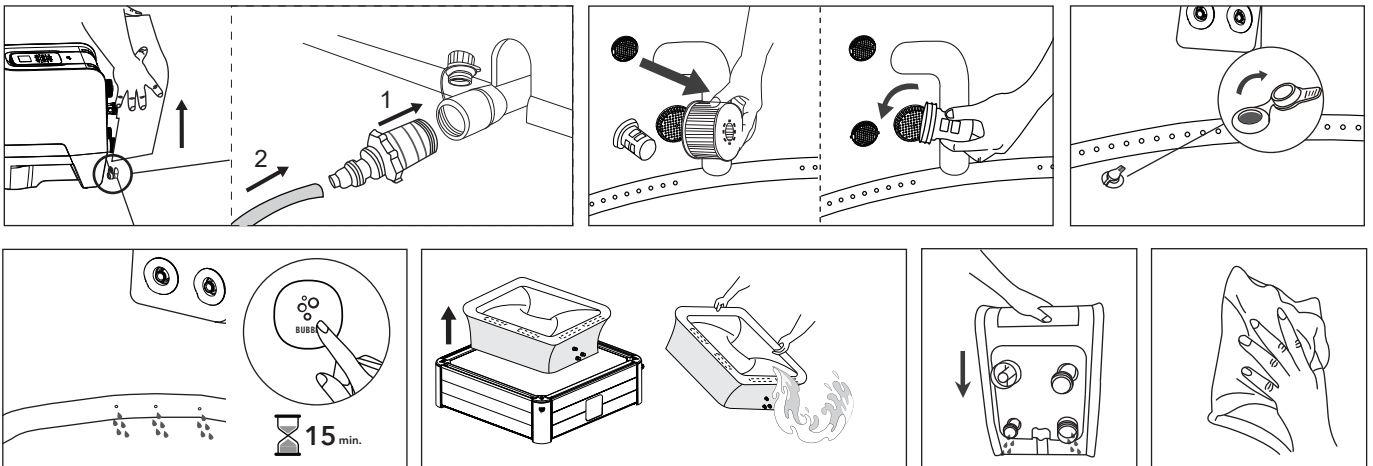


**NOTE:** Remove the chemical dispenser from spa when the spa is in use.

## DRAINAGE, CLEANING AND STORAGE

---

### Spa Drainage



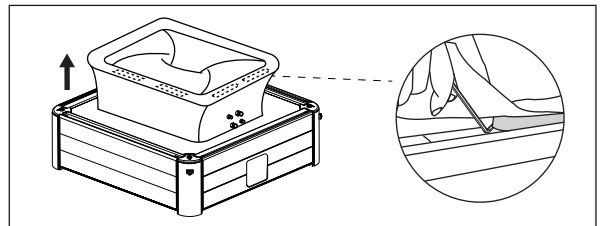
### Cleaning the Spa Tub

If dirt is visible in the water or if the water becomes cloudy and the correct water chemistry does not clear it up, change the water and clean the spa tub. See the "Spa tub drainage" section on how to drain the spa. While empty, clean and/or replace the filter cartridge. Use a sponge and mild soap solution to wipe away any soil or stains on the inside of the spa wall. Rinse thoroughly before refilling with clean water.

**IMPORTANT:** Do not use steel wool, hard brushes or abrasive cleaners.

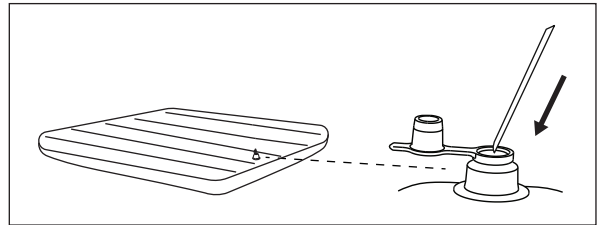
## Disassemble Instructions

Remove all the parts in the reverse order of the installation steps.  
**NOTE:** To remove the liner, use an L-wrench to pry the retaining block out of the side panel slot. Do not drag the liner directly.



## Spa Bladder Deflation

1. Open the valve cap to deflate the bladder. For quick deflation, insert the straw (included in the repair kit) into the valve.
2. Once the deflation is completed, re-place the cap back.



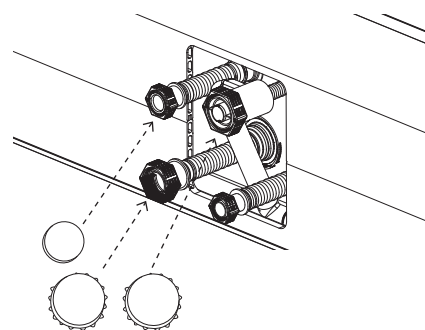
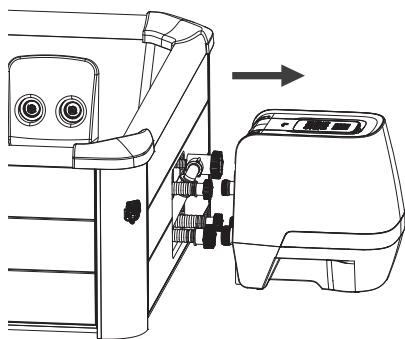
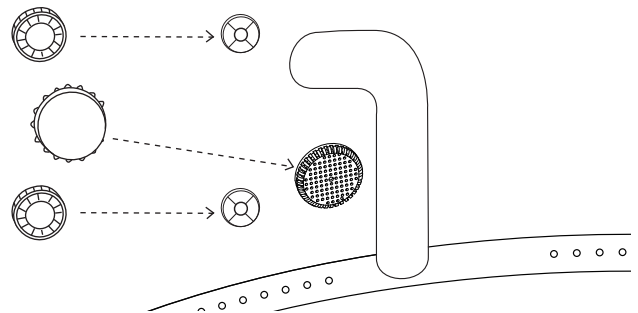
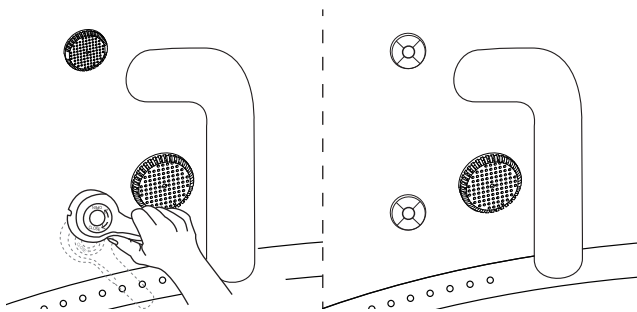
## Spa Tub and Air Bladder Repair

Use the enclosed repair patch to repair any puncture:

1. Clean and dry the area to be repaired thoroughly
2. Apply the glue to the PVC patch and quickly attach it to the damaged surface. (Glue is not included)
3. Smooth the surface to remove any air bubbles and allow it to dry for 5-10 minutes

**NOTE:** Glue is not included.

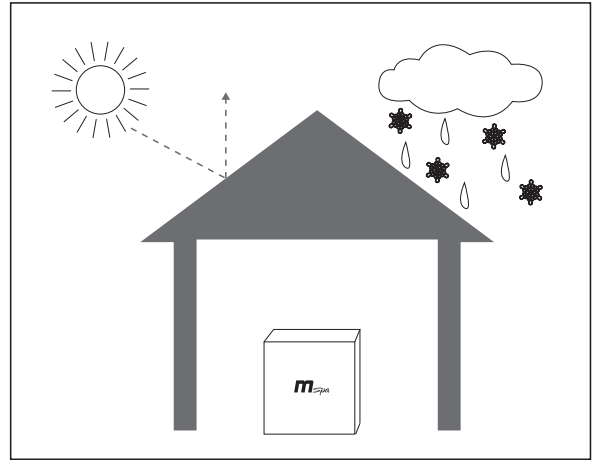
## Water / Air Channel Stopper Instructions





## Storage and Preparation for Future Use

1. Drain and clean the spa by following the "Drainage" and "Spa Cleaning" sections.
2. Refer to the instructions to deflate air bladder.
3. Make sure all the spa components and accessories are thoroughly clean and dry before storage. Air-dry the spa tub in the mild sun for an hour before folding.
4. Fold the spa tub loosely and avoid any sharp corners to prevent damage or leakage to the spa liner.
5. Prepare new additional cartridges for next time use.
6. Store the spa and accessories in a dry, temperature-controlled environment, between 0°C and 40°C (32°F - 104°F). We recommend storing the spa with desiccant.
7. The original packaging is recommended for storage.
8. After long-term storage, fill the spa with clean water and sanitizer, and turn on the FILTER for at least 1 hour before use.



## PRECAUTIONS FOR WINTER USE

---

### Installation

Low temperature will harden the PVC material and make it more fragile.

- The new spa might have been stored or transported at a low temperature (below 4°C / 39°F) before it is unfolded. Put the package indoors or somewhere warm for 12 hours to soften the material before use.

### Heating and Heat Preservation

In cold weather, heating the water up will take much more time. It is suggested to:

- Fill the spa tub with lukewarm water (not higher than 40°C / 104°F) to get it heated more quickly.
- Use ground mat and inflatable bladder for better heat preservation effect.
- When the outdoor temperature is below 4°C(39°F), even when not using the spa, as long as it is filled with water, the heater should always be turned on (or put the spa in stand-by mode) to prevent water from freezing.
- Your spa is equipped with an Anti-icing System. Put the spa in stand-by mode, when the ambient temperature is below 1°C / 33.8°F, the filter will run automatically. And when the water temperature falls below 1°C/33.8°F the heater will run automatically. This will help prevent water from freezing. If you are not going to use the spa in near future, please disassemble the spa and store it following the storage procedure.
- When anti-icing system is activated, the system determines that the spa is in extreme cold condition that is not appropriate for hydro massage. There will be a snow icon on the screen to indicate that. At this status, the JET function can't be activated. Please heat the water up to 20°C (68°F) or above to enjoy this function.

### In Rainy days

For spa placed outdoors, do not use it when it rains.

If the spa is placed under rain shelter, do not turn on the bubble function. This is because the rain in the nearby air will also be sucked into the pump, causing the bubble generator to get damp and rusty which could result in malfunction and void your warranty.

It is recommended to put the plug and socket somewhere not exposed to rain to prevent damage caused by water accumulation due to excessive rain.

## DISPOSAL AND ENVIRONMENTAL PROTECTION

---





This mark indicates that the product should not be disposed of with other household waste. To prevent possible harm to the environment or human health from uncontrolled waste disposal, products should be recycled responsibly to promote the sustainable reuse of material resources. Information on disposal can be obtained from your local authorities.

To return your used device, please use the return and collection systems or contact the retailer where the product was purchased for environmentally safe recycling.

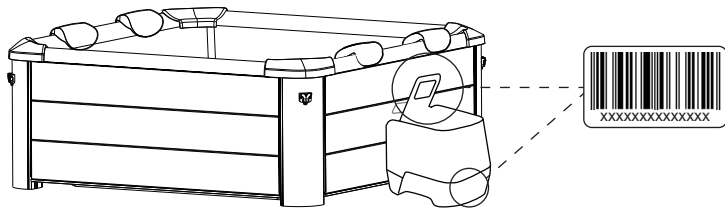
# TROUBLESHOOTING

## ERROR CODE CHART

LED READING	CAUSE	SOLUTION
- - - / 888 / EEP	The Signal wire is loose	Contact local MSpa Service Center
	Communication failed	Contact local MSpa Service Center
F0	Water temperature is below 0°C (32°F) or exceeds 50°C (122°F)	Change the water
	Temperature sensor failure	Contact local MSpa Service Center
F1	F1 immediately shows after pressing FILTER, HEATING or UVC	Clean the parts and tubes that the water goes through
	F1 shows 15s after pressing FILTER, HEATING or UVC	<ol style="list-style-type: none"> <li>1. Add more water to the minimum line</li> <li>2. Clean the parts and tubes that water goes through</li> <li>3. Contact local MSpa Service Center</li> </ol>

PROBLÉM	CAUSE	SOLUTION
NO DISPLAY ON THE CONTROL PANEL	Power socket failure	Change a socket or repair the socket before use
	PRCD is off	Reset the PRCD by following the PRCD Testing section
	Press the Reset button, the controller is not	Contact local MSpa Service Center
	PRCD broken	Contact local MSpa Service Center
SPA LEAKING	Spa in&outlet connection not securely tight	Tighten the in&outlet connection
	Drainage valve is not closed completely	Close the drainage valve. Contact the MSpa Service Center, if the spa is still leaking
NOT HEATING PROPERLY	Temperature set too low	Set a higher temperature
	Dirty filter cartridge	Clean or replace the filter cartridge
	The water level is not at the minimum water line	Add more water to the minimum line
	Heater failure	Contact local MSpa Service Center
WATER NOT CLEAN	The filter pump DOES NOT WORK	Refer to the "FILTER PUMP DOES NOT WORK" section
	Water has been used for a long period of time	Change the water
	Insufficient filtration time	Extend the filtration time
	Dirty filter cartridge	Clean or replace the filter cartridge in time
NO BUBBLE	Improper water maintenance	Refer to the chemical manufacturer's instructions
	Auto-off 10 minutes	Wait for 10 minutes and turn on the Bubble button again
	Internal parts damaged	Contact local MSpa Service Center
FILTER PUMP DOES NOT WORK	One-way valve broken	Contact local MSpa Service Center
	Filter cartridge clogged by dirt or other objects	Clean or replace the filter cartridge
OZONATOR FAILURE	Filter system failure	Contact local MSpa Service Center
	Water level is below the minimum water line	Add water above the minimum line
	Internal parts damaged	Contact local MSpa Service Center
JET FUNCTION FAILURE (without  icon)	Filter pump does not work	Refer to the "FILTER PUMP DOES NOT WORK" section
	Water level is not at the minimum water line	Add more water above the minimum line
	Water inlet blocked	Clean the filter pump & jet pump inlets
JET FUNCTION FAILURE (with  icon)	Filter pump does not work	Refer to "FILTER PUMP DOES NOT WORK" section
	Low water or ambient temperature	Heat the water up to 20°C (68°F)
	Protection system too sensitive	Make sure the water temperature is above 20°C (68°F). Long press JET button for 3 seconds to unlock the JET function. If Above operation doesn't work, keep heating the water and try again later.

Where can I find the serial number?  
At the back of control box. Or at the foot of the control box.



How can I find my service contact?  
\* Scan the QR code below or visit <https://www.the-mspa.com/after-sales>.  
1. Input the serial number of your spa.  
2. The corresponding service provider will be displayed.



\* You can find the contact information of local service center on the back of the warranty card

CONTACT YOUR LOCAL MSPA DEALER OR SERVICE CENTER FOR ANY  
PRODUCT-RELATED QUESTIONS OR PROBLEMS.

## MSPA LIMITED WARRANTY

MSpa® has been manufactured with reliability and simplicity in mind. All products have been inspected and found free of defects before leaving the factory.

MSpa guarantees this product against any defects identified in the material or workmanship for a period of:

Spa pool liner – **twelve (12) months** from the original date of purchase.

Electrical parts (control box) – **twelve (12) months** from the original date of purchase.

Spa rigid wall frames – **twenty-four (24) months** from the original date of purchase.

The warranty period begins on the date of purchase and MSpa requires the presentation of the original proof of purchase to ascertain the date. During the warranty period, MSpa will, at its sole discretion, repair or replace any defective product. Replaced products or repaired parts will be warranted for only the unexpired portion of the original warranty.

### Shipping Policy

Consumers are responsible for the shipping/freight when return the defective parts to MSpa authorized service center or ORPC-Oriental Recreational Products (Shanghai) Co., Ltd.

### Warranty Policy

- This limited warranty does not apply to any defect caused by negligence, accident, misuse, or any other reason beyond MSpa's reasonable control, including but not limited to: normal wear and tear, negligence or failure to follow the product instructions, improper or inadequate maintenance; connection to an improper power supply; chemical water damage, loss of pool water, unauthorized product modification or repair; use for commercial purposes; fire, lightning, flood or other external causes.
- This warranty is valid only in the country of purchase in such countries where MSpa sells and services the same model with identical technical specifications. Warranty service outside the country of purchase is limited to the terms and conditions of the corresponding warranty in the country of service. Where the cost of repairs or replacement is not covered by this warranty, MSpa will advise the owners and the cost shall be charged to the owner.
- This warranty only applies to the original purchaser and terminates upon any transfer of ownership.
- All repairs for which warranty claims are made must be pre-authorized by ORPC through an accredited distributor or agent provided that the defective part be returned to the distributor or agent Transportation Prepaid, if requested.
- The authorized selling dealer is responsible for all in-field service work carried out on your MSpa product. ORPC will not be responsible for any process charges performed by unauthorized service personnel.
- Products marked with both MSpa and importer are governed exclusively by the warranty provided by the importer.

### Warranty Registration

Please Always keep the purchase receipt and warranty card in case of a future warranty inquiry. All claims must be submitted to an MSpa authorized dealer or service partner. It is essential that all claims submitted provide all the necessary information, including Customer name, Purchase receipt, Serial No., Product No., Problem, and requested Parts.



**m**Spa

## Guide du propriétaire

OSLO F-OS063W  
NAPUKA 522625 FR

	  <p><b>QUESTIONS? PROBLÈMES? PIÈCES MANQUANTES?</b> Pour les FAQ, les manuels, les vidéos ou les pièces de rechange, veuillez consulter le site <a href="http://www.the-mspa.com/support">www.the-mspa.com/support</a></p>
---	---

En raison du processus d'amélioration continue de ses produits, MSpa se réserve le droit de modifier les spécifications et l'apparence de ses produits, ce qui pourrait entraîner des mises à jour du mode d'emploi sans préavis.



Liste des sites officiels de MSpa



Vidéos de l'installation



Centre de service MSpa



Manuel du propriétaire MSpa (multilingue)

## CONTENU

---

Précautions en ce qui concerne la sécurité .....	3
Spécifications .....	8
Accessoires .....	8
Première utilisation et préparation de l'installation .....	9
Installation du spa .....	10
Opérations de contrôle .....	12
Fonctionnement de la bande lumineuse à Led .....	14
Entretien de l'eau et produits chimiques .....	15
Vidange, nettoyage et stockage .....	16
Précautions à prendre en cas d'utilisation en hiver .....	18
Élimination et protection de l'environnement .....	18
Dépannage .....	19
Garantie limitée MSPA .....	20

# MESURES DE SÉCURITÉ

---

Pour votre propre sécurité et celle de votre produit, veuillez à respecter les mesures de sécurité ci-dessous. Le non-respect des instructions peut entraîner des blessures graves, des dommages matériels ou la mort. Une installation ou une utilisation incorrecte annulera la garantie.

**ASSUREZ VOUS D'AVOIR LU, COMPRIS ET SUIVI TOUTES LES INSTRUCTIONS CONSERVEZ CE MANUEL POUR TOUTE RÉFÉRENCE FUTURE**

## DANGER

- Risque de noyade accidentelle. Il convient de faire preuve d'une extrême prudence pour empêcher tout accès non autorisé de la part des enfants.
- Risque de noyade. Inspectez régulièrement Le couvercle du spa pour détecter les fuites, l'usure prématurée, les dommages ou les signes de détérioration. N'utilisez jamais un couvercle usé ou endommagé car il n'offrira pas le niveau de protection requis pour empêcher l'accès non surveillé d'un enfant au spa.
- Risque de noyade. Verrouillez toujours le couvercle du spa après chaque utilisation.
- Risque de blessure. Les raccords d'aspiration de ce spa sont dimensionnés pour correspondre au débit d'eau spécifique créé par la pompe. N'utilisez jamais le spa si les raccords d'aspiration sont cassés ou manquants. Ne remplacez jamais un raccord d'aspiration par un autre qui ne convient parfaitement.
- Les appareils qui sont manifestement endommagés ne doivent pas être utilisés.
- Risque de blessure. Si le cordon d'alimentation est endommagé, il doit être remplacé par le fabricant, un agent de service ou une personne de qualification similaire afin d'éviter tout danger.
- Risque d'électrocution. Ne laissez pas d'appareils électriques, tels que des lampes, des téléphones, des radios ou des télévisions, à moins de 1,5 m (5 pieds) d'une baignoire spa.
- Risque de choc électrique. N'utilisez pas le spa lorsqu'il pleut, en cas de tonnerre ou de présence d'éclairs.

## ATTENZIONE

- Pour réduire tout risque de choc électrique, n'utilisez pas de rallonge, de minuterie, d'adaptateur de prise ou de fiche de convertisseur pour raccorder l'appareil à l'alimentation électrique prévoyez une prise bien située.
- Cet appareil, avec ses éléments chauffants incorporés, doit être raccordé à une prise de courant avec mise à la terre, avec un cordon d'alimentation équipé d'une fiche et d'un PRCD (dispositif portable à courant résiduel) ayant un courant de déclenchement de 10mA.
- Cet appareil, avec mise à la terre, ne doit être branché directement que sur une prise de courant avec mise à la terre à l'aide d'un câblage fixe.
- Les pièces contenant des composants sous tension, à l'exception des pièces fournies avec une très basse tension de sécurité ne dépassant pas 12V, doivent être inaccessibles à toute personne utilisant le spa.
- Les pièces ayant des composants électriques, à l'exception des dispositifs de commande à distance, doivent être situées ou fixées de manière à ce qu'elles ne puissent pas pouvoir tomber dans le spa.
- L'installation électrique doit être conforme aux exigences ou aux normes locales.
- Le contrôleur câblé doit être correctement rangé dans la poche latérale lorsqu'il n'est pas utilisé, afin de le protéger contre tout risque de chute ou autres dangers.



- Cet appareil peut être utilisé par des enfants âgés de 8 ans et plus et par des personnes dont les capacités physiques, sensorielles ou mentales sont réduites ou qui manquent d'expérience et de connaissances, à condition qu'ils soient surveillés ou qu'ils aient reçu des instructions sur l'utilisation sûre de cet appareil et qu'ils comprennent les risques encourus. Les enfants ne doivent pas jouer avec l'appareil ni effectuer des opérations de nettoyage ou d'entretien sans surveillance.
- Pour réduire les risques de blessures, ne laissez pas les enfants s'approcher de cet appareil, à moins qu'ils ne soient surveillés de près en permanence.
- Pour réduire tout risque de noyade des enfants, surveillez-les en permanence. Fixez et verrouillez le couvercle du spa après chaque utilisation.
- Assurez-vous que le sol est en mesure de supporter la charge prévue se trouvant sur la fiche technique. Vous devrez calculer la charge de la capacité d'eau prévue avec le poids total.
- Un système d'évacuation adéquat doit être prévu autour du spa pour traiter l'eau de débordement.
- Pour réduire le risque de blessure:
  - a) Des températures d'eau plus basses sont recommandées pour les jeunes enfants et lorsque l'utilisation du spa dépasse 10 minutes. Afin d'éviter tout risque d'hyperthermie (stress thermique), il est recommandé que la température moyenne de l'eau du spa ou de la piscine ne dépasse pas 40°C (104°F). N'oubliez pas qu'une température confortable d'utilisation peut être inférieure à la température maximale de sécurité.
  - b) Puisque les températures excessives de l'eau présentent un risque élevé de causer des dommages au fœtus pendant les premiers mois de la grossesse, les femmes enceintes ou probablement enceintes devraient limiter la température de l'eau du spa à 38°C (100°F).
  - c) Avant d'entrer dans le spa ou la cuve thermale, l'utilisateur doit mesurer la température de l'eau avec un thermomètre précis, car la tolérance des dispositifs de régulation de la température de l'eau peut varier.
  - d) La consommation d'alcool, de drogues ou de médicaments avant ou pendant l'utilisation du spa peut entraîner une perte de conscience avec possibilité de noyade.
  - e) La consommation d'alcool, de drogues ou de médicaments peut augmenter considérablement le risque de provoquer une hyperthermie mortelle dans les spas.
  - f) Les causes et les symptômes de l'hyperthermie peuvent être décrits comme suit: L'hyperthermie se produit lorsque la température interne du corps atteint un niveau supérieur de plusieurs degrés à la température corporelle normale de 37°C (98,6°F). Les symptômes de l'hyperthermie comprennent une augmentation de la température interne du corps, des étourdissements, une léthargie, une somnolence et un évanouissement. Les effets de l'hyperthermie comprennent une incapacité à ressentir la chaleur; une incapacité à reconnaître la nécessité de sortir du spa; une inconscience des dangers imminents; des dommages au fœtus chez les femmes enceintes; une incapacité physique à sortir du spa; et une perte de conscience entraînant un risque de noyade.
  - g) Les personnes obèses ou ayant des antécédents de maladie cardiaque, d'hypotension ou d'hypertension, de problèmes du système circulatoire ou de diabète doivent consulter un médecin avant d'utiliser un spa.
  - h) Les personnes qui prennent des médicaments doivent consulter un médecin avant d'utiliser un spa, car certains médicaments peuvent provoquer une somnolence ou affecter le rythme cardiaque, la pression artérielle ou la circulation sanguine.
  - i) Les personnes enceintes, diabétiques, en mauvaise santé ou sous traitement médical doivent consulter un médecin avant d'utiliser un spa.

- Les personnes atteintes d'une maladie infectieuse ne devraient pas utiliser un spa ou une cuve thermale.
- Pour éviter toute blessure, faites attention en entrant ou en sortant du spa ou du bain à remous.
- Une température de l'eau supérieure à 40°C (104°F) peut être dangereuse pour votre santé.
- N'utilisez jamais un spa ou un jacuzzi seul et ne permettez jamais à d'autres personnes d'utiliser le spa seul.
- N'utilisez pas un spa ou une cuve thermale immédiatement après un exercice physique intense.
- La chaleur du spa associée à l'alcool, aux drogues ou aux médicaments peut provoquer une perte de conscience.
- Sortez immédiatement si vous vous sentez mal à l'aise, étourdi ou somnolent. La chaleur du spa peut provoquer une hyperthermie et une perte de conscience.
- Pour éviter le gel, le spa ne doit pas être exposé à des températures inférieures à 0°C (32°F) s'il y a encore de l'eau dans la piscine. Il est utile de placer un tapis de barrière thermique entre la piscine du spa et le sol. Un tapis similaire en mousse ou tout autre matériau ayant une fonction de barrière thermique peut également être utilisé. N'allumez pas le spa lorsque l'eau est gelée.
- Ne versez jamais directement dans le spa de l'eau dont la température est supérieure à 40°C (104°F).
- Débranchez toujours l'appareil de la prise électrique avant de le retirer, de le nettoyer, de l'entretenir ou d'effectuer des réglages.
- Ne jamais sauter ou plonger dans un spa ou dans tout autre plan d'eau peu profond.
- Pendant son utilisation, aucune partie de l'appareil électrique ne doit se trouver au-dessus de la baignoire.
- Ne pas enfouir le cordon électrique. Placez le cordon à un endroit où il ne sera pas endommagé par les tondeuses à gazon, les taille-haies ou tout autre équipement.
- N'essayez pas de brancher ou de débrancher le produit lorsque vous êtes dans l'eau ou lorsque vous avez les mains mouillées.
- N'utilisez pas le spa s'il est endommagé à la livraison et/ou s'il présente un quelconque dysfonctionnement.
- Contactez le centre de service MSpa pour de plus amples instructions.
- Tenez tous les animaux domestiques éloignés du spa pour éviter tout dommage.
- N'ajoutez pas d'huile ou de sel de bain à l'eau du spa.
- Évitez de mettre la tête sous l'eau à tout moment.
- Évitez d'avaler l'eau du spa.
- Le spa contient un émetteur UVC. Pour remplacer ou réparer l'émetteur UVC, contactez un opérateur professionnel. Il est strictement interdit aux utilisateurs de remplacer l'émetteur UVC. L'utilisation involontaire de l'appareil ou l'endommagement du boîtier peut entraîner la fuite de dangereux rayonnements UVC. Le rayonnement UVC, même à faible dose, peut causer des dommages aux yeux et à la peau.
- **AVERTISSEMENT: Ne pas faire fonctionner l'émetteur UVC quand celui-ci est retiré du boîtier de l'appareil ou quand l'appareil est visiblement endommagé.**
- Consultez des experts ou les autorités locales pour mettre en application les lois/réglementations locales ou nationales relatives aux clôtures à l'épreuve des enfants, aux barrières de sécurité, à l'éclairage et aux autres exigences de sécurité.

## Attention

- Ajoutez toujours les produits chimiques à l'eau, n'ajoutez jamais d'eau aux produits chimiques. Car l'ajout d'eau aux produits chimiques peut provoquer de fortes fumées ou des réactions violentes et des projections chimiques dangereuses.
- Concernant l'eau qui a déjà été utilisée, jetez-la rapidement ou utilisez des produits chimiques pour le nettoyage.
- En général, il est recommandé de vidanger et de remplir un spa avec de l'eau propre tous les 3 à 5 jours.
- Utilisez le kit chimique pour la désinfection conformément aux instructions du fabricant.
- Ne laissez pas ou n'installez pas le spa à une température inférieure à 4°C (39°F) si le chauffage ne fonctionne pas.
- Entrez et sortez toujours du spa ou du bain à remous lentement et avec précaution. Faites très attention si le sol est mouillé.
- Pour éviter d'endommager la pompe, ne mettez jamais le spa ou le jacuzzi en marche s'il n'est pas rempli jusqu'au niveau d'eau minimum.
- Le spa ou le bain à remous ne doit être placé que dans un endroit correctement préparé qui répond aux exigences de charge au sol.
- Ne laissez pas le spa vide pendant trop longtemps. Videz complètement le spa s'il n'est pas utilisé pendant une longue période. N'exposez pas le spa à la lumière directe du soleil.
- Vérifiez-le régulièrement avant chaque utilisation. Lorsque le spa n'est pas utilisé, rangez-le immédiatement ou gardez-le dans un endroit fermé.
- Ouvrez le couvercle supérieur du spa lorsque la fonction Bubble (Bulle) est activée.
- Afin d'éviter tout danger dû à la réinitialisation par inadvertance du coupe-circuit thermique, cette application ne doit pas être alimentée par un dispositif de commutation externe, tel qu'une minuterie, ou connectée à un circuit qui est régulièrement mis en marche et arrêté par le service public.
- Une fois le spa installé, reportez-vous aux chapitres correspondants pour les détails concernant le nettoyage, les contrôles périodiques et autres entretiens.
- Ne tirez pas ou ne cognez pas la bande lumineuse avec une force excessive lors de l'installation ou du démontage de la bande LED dans la piscine du spa. Sachez que la puce de la bande LED n'est pas échangeable ou amovible.
- Utilisez uniquement l'adaptateur d'alimentation secteur MSpa pour connecter la bande LED.
- Pour réduire tout risque de strangulation, le câblage flexible connecté à ce luminaire doit être fixé efficacement au mur si le câblage est à portée de main.
- Ne faites pas fonctionner la bande LED et ne la connectez pas à l'alimentation si l'emballage est ouvert.
- Sachez que la bande de LED linéaire ne peut être utilisée qu'individuellement. Ne connectez pas la bande avec d'autres bandes LED.
- Il est recommandé de conserver l'emballage d'origine et le manuel de l'utilisateur.
- Le câble flexible externe et le cordon de ce luminaire ne peuvent pas être remplacés; si le cordon est endommagé, la bande LED sera détruite.

## EXPLICATION DE L'AVERTISSEMENT DE LA DOUBLURE DU SPA



Surveillance par un



Lire le manuel

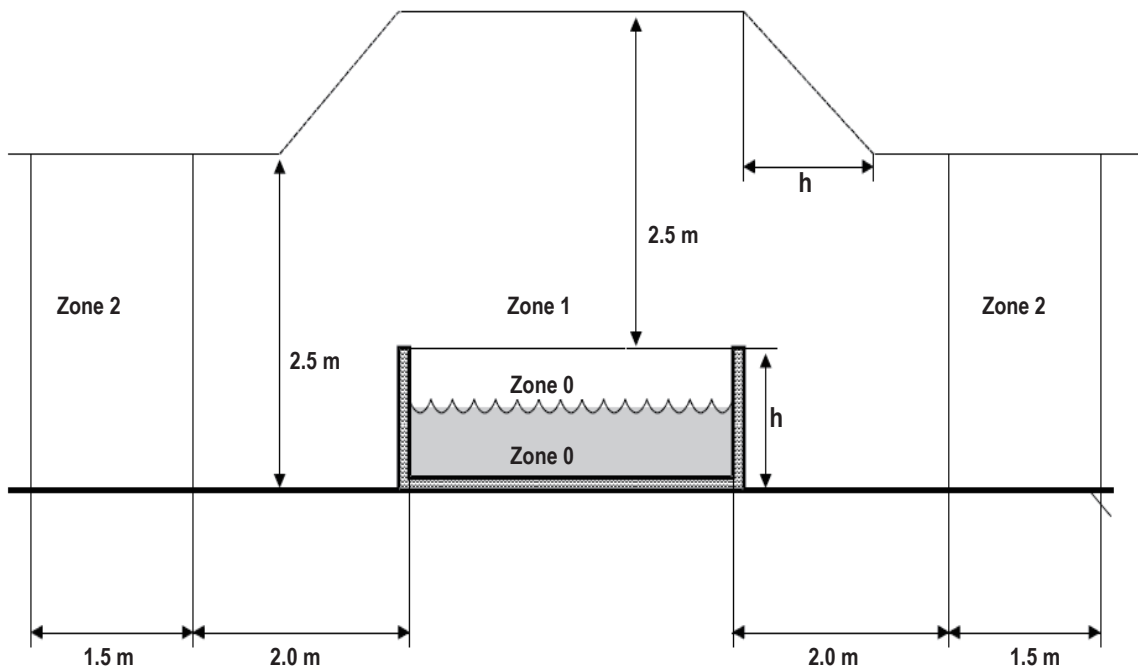


Pas de



Ne pas mettre les  
doigts dans le

**Avvertissement:** Les niveaux de protection contre l'eau de l'appareil varient selon les différentes zones de produits, comme le montre le schéma suivant. **(Les règles d'installation sont conformes à la norme IEC 60364-7-702).**

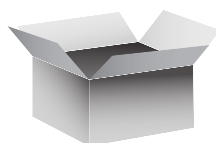


**REMARQUE –** Les dimensions de la zone mesurée sont limitées par les murs et les cloisons fixes.

Zones	Description des zones
Zone 0	La zone 0 est l'intérieur de la cuvette, y compris tous les renforcements dans les murs ou le sol.
Zone 1	La zone 1 est limitée par <ul style="list-style-type: none"> <li>• Zone 0</li> <li>• Un plan vertical situé à 2 m du bord de la cuvette.</li> <li>• Le sol ou la surface prévue pour être occupée par les utilisateurs.</li> <li>• Le plan horizontal situé à 2,5 m au-dessus du sol ou de la surface.</li> </ul>
Zone 2	La zone 2 est limitée par <ul style="list-style-type: none"> <li>• Un plan vertical extérieur à la zone 1 et un plan parallèle à 1,5 m de celui-ci.</li> <li>• Le sol ou la surface destinée à être occupée par les utilisateurs.</li> </ul>

# SPÉCIFICATIONS

N° de modèle / Nom	Forme	Capacité en sièges	Capacité en eau	Dimensions extérieures	Dimensions intérieures	Hauteur	Poids	Taux d'augmentation de la température
<b>F-OS063W OSLO</b>	Carré	6	(224 850Gal.) L	1.6 m (63") x 1.6 m (63")	1.4 m (55") x 1.4 m (55")	0.65m (26")	109.6 kg (241.6 lbs)	1.6-2.2 °C/h
<b>Système de contrôle &amp; puissance nominale</b>	<b>Pompe à jet</b>	<b>Chaufrage</b>	<b>Souffleur d'air de massage</b>	<b>Pompe à filtre</b>	<b>Générateur d'ozone intégré</b>	<b>Flux radiant UVC</b>	<b>Couvercle supérieur</b>	<b>Matériau du revêtement</b>
AC 220-240V 50Hz 2300W	1100W	2200W	Niveau 1: 300W Niveau 2: 500W Niveau 3: 720W	1800L/hr	5.5W, 30-50mg/hr	2000uW	PVC renforcé Rhino-Tech™	Bois plastique
<b>Article</b>	<b>Modèle</b>	<b>Alimentation électrique</b>	<b>Longueur (m)</b>	<b>Puces LED (pces)</b>	<b>Mode d'éclairage</b>			
LED - 6DC12R - OS	Bande LED pour spa carré de 6 personnes	DC12V, 22W	5.2	171	2120 couleurs dynamiques et statiques			



## VÉRIFICATION DES PIÈCES

Veillez examiner l'équipement avant de l'utiliser.

Au moment de l'achat, informez le service clientèle de toute pièce endommagée ou manquante.

<b>1</b>  Panneau à extrémité ouverte *1	<b>2</b>  Panneau en bois plastique *3 Un avec le logo MSpa	<b>3</b>  Revêtement du spa avec bande lumineuse LED	<b>4</b>  Poutre de coin *4	<b>5</b>  Finition haut*4		
<b>6</b>  Joint d'étanchéité du fond *4	<b>7</b>  Couverture de spa à boucle	<b>8</b>  Tapis en mousse pliable	<b>9</b>  Vessie gonflable	<b>10</b>  Boîtier de commande du jet		
<b>11</b>  Télécommande de la bande lumineuse	<b>12</b>  Joint décoratif supérieur * 4	<b>13</b>  Coussin d'angle souple * 4	<b>14</b>  Joint de panneau latéral * 4	<b>15</b>  Appui-tête *4	<b>16</b>  Manuel d'utilisation	<b>17</b>  Kit de réparation
<b>18</b>  Cartouche filtrante *2 Socle de cartouche filtrante*1	<b>19</b>  Adaptateur de tuyau d'arrosage	<b>20</b>  Bouchons de conduits d'eau et d'air	<b>21</b>  Clé de serrage	<b>22</b>  Distributeur de produits chimiques pour comprimés de 1 pouce	<b>23</b>  Tuyau de gonflage et adaptateur de vessie	<b>24</b>  vis*4+ Clé en forme de L

### REMARQUE:

Les dessins ne sont donnés qu'à titre indicatif. Les produits réels peuvent varier. Pas à l'échelle.

# PREMIÈRE UTILISATION ET PRÉPARATION DE L'INSTALLATION

## Préparation du site et conditions requises

- Le spa peut être installé à l'intérieur ou à l'extérieur en 15 minutes environ par 2 personnes. Uniquement pour un usage domestique.
- Le spa doit être installé sur une surface plane, lisse et porteuse qui peut supporter la charge maximale du spa rempli avec le nombre maximal d'occupants indiqué. Vérifiez cette exigence auprès d'un entrepreneur qualifié ou d'un ingénieur en structure.
- Assurez-vous que la surface est exempte d'objets pointus sous ou tout autour du spa. Une surface inégale, ou non solide, peut endommager le spa et annuler votre garantie. Mettez la surface de niveau avant de remplir le spa d'eau.
- Prévoyez un système de drainage adéquat autour du spa pour traiter l'eau qui déborde et les éclaboussures.
- Prévoyez des méthodes de remplissage pratiques, conformes aux réglementations locales sur l'utilisation de l'eau et ajustez les réglages selon les exigences du service de traitement des eaux. Assurez-vous qu'il y a suffisamment d'espace autour du spa pour permettre une utilisation complète de l'équipement pour l'entretien et/ou le service.
- Pensez à un emplacement du spa de manière à ce qu'il soit le moins bruyant possible.

## Exigences supplémentaires pour une installation intérieure

- L'humidité est une conséquence naturelle de l'installation d'un spa en intérieur. La pièce doit être correctement ventilée pour permettre à l'humidité de s'échapper. Installez un système de ventilation pour éviter une condensation et une humidité excessives dans la pièce.
- Assurez-vous que le spa peut être retiré du local sans détruire aucune partie de la structure construite.
- Tenez compte de toute réglementation locale à ce sujet.
- Pensez à ne pas installer le spa sur de la moquette ou d'autres matériaux de sol qui favorisent ou abritent l'humidité et les bactéries, ou qui pourraient être affectés par les produits chimiques de traitement de l'eau utilisés dans le spa.

## Exigences supplémentaires pour une installation à l'extérieur

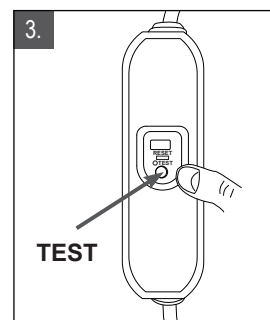
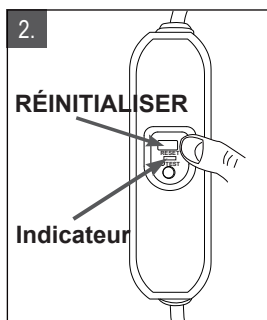
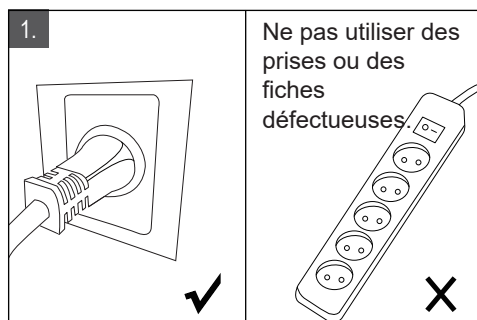
- Ne placez pas le spa sur de l'herbe ou de la terre, car cela fera augmenter la quantité de débris qui pénétreront dans le spa, ce qui pourrait endommager le sol. Pour garantir une plus longue durée de vie, n'exposez pas le spa aux rayons directs du soleil.
- N'installez pas et n'utilisez pas le spa en extérieur à une température inférieure à 4°C (39°F).
- N'utilisez pas le spa lorsque l'eau à l'intérieur du système de circulation, de la pompe ou de la tuyauterie est gelée. Placez un tapis de préservation de la chaleur entre la base du spa et le sol pour empêcher la perte de chaleur du fond du spa et pour assurer une meilleure rétention de la chaleur.
- Tenez compte des conditions environnementales locales, telles que les eaux souterraines et le risque de gel.

## Test du PRCD

### ⚠ AVERTISSEMENT

Risque de choc électrique: Ce produit est fourni avec un PRCD qui se trouve à l'extrémité du cordon d'alimentation. Le PRCD doit être testé avant chaque utilisation. N'utilisez pas le spa si le PRCD ne fonctionne pas correctement. Débranchez le cordon d'alimentation jusqu'à ce que le défaut ait été identifié et corrigé. Contactez un électricien agréé pour corriger le problème. Il n'y a aucune pièce réparable à l'intérieur du PRCD. L'ouverture du PRCD annule la garantie.

1. Branchez la machine sur le secteur.
2. Appuyez sur le bouton RESET du PRCD. L'indicateur devient alors rouge.
3. Appuyez sur le bouton TEST du PRCD. La couleur rouge affichée sur l'indicateur doit disparaître. Sinon, le PRCD est défectueux. N'utilisez pas le spa s'il est défectueux. Contactez un électricien qualifié pour corriger le défaut.
4. Appuyez à nouveau sur le bouton RESET du PRCD. L'indicateur doit devenir rouge. Si c'est le cas, le spa est alors prêt à être utilisé.



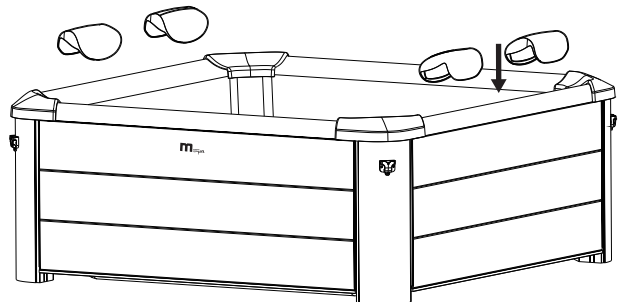
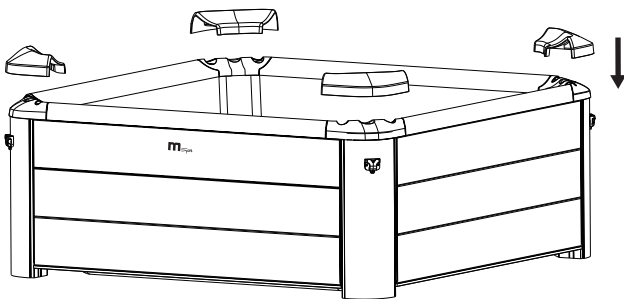
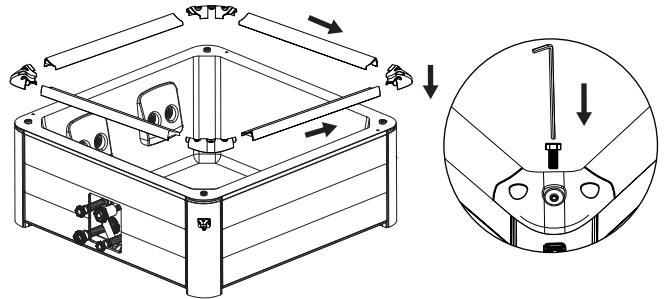
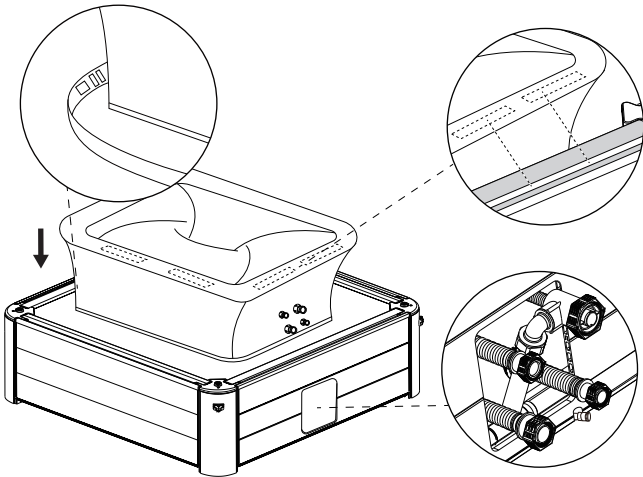
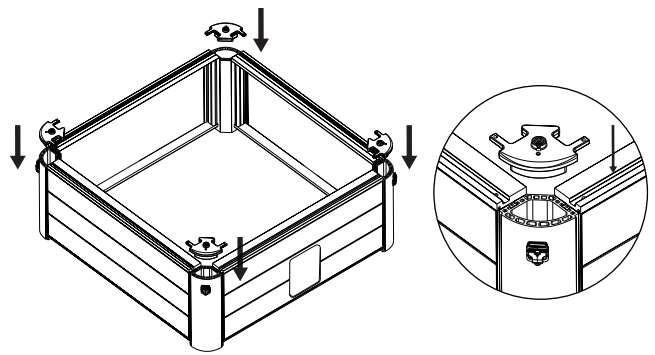
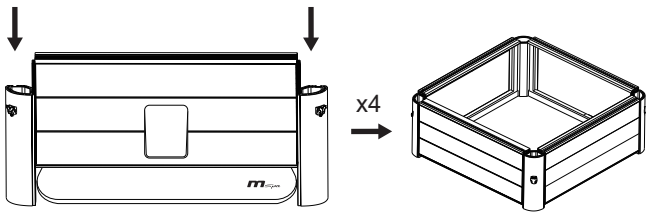
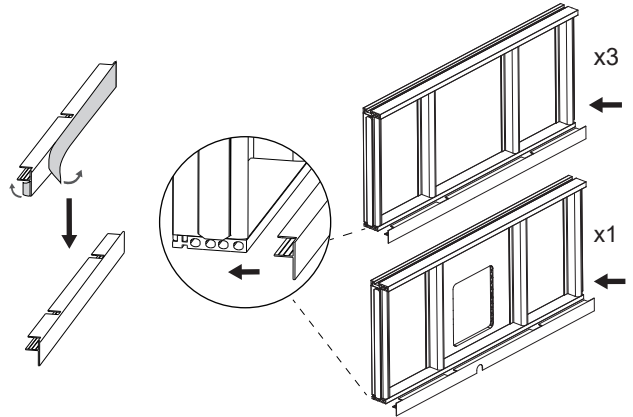
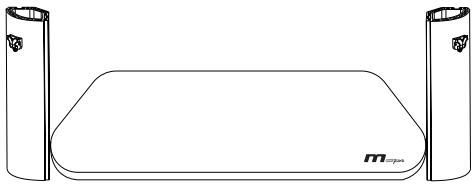
## Connexion de l'unité de commande du spa Conducteurs de liaison équipotentielle externe

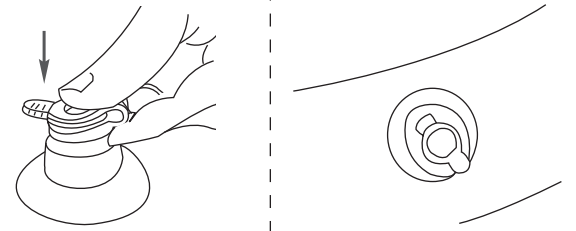
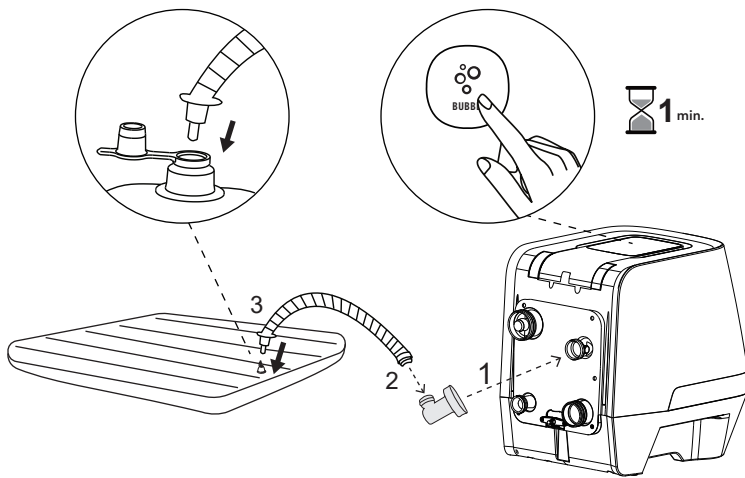
Un électricien qualifié doit câbler l'unité de commande du spa à la borne équipotentielle de la maison en utilisant un conducteur en cuivre solide de 1,5 mm<sup>2</sup> minimum.

**REMARQUE:** Déplacez tout le paquet sur le site choisi. Ne traînez pas la cuve du spa sur le sol car cela pourrait l'endommager et provoquer des fuites. Ouvrez le carton avec précaution car il peut être utilisé pour stocker le spa pendant de longues périodes, ou lorsqu'il n'est pas utilisé.

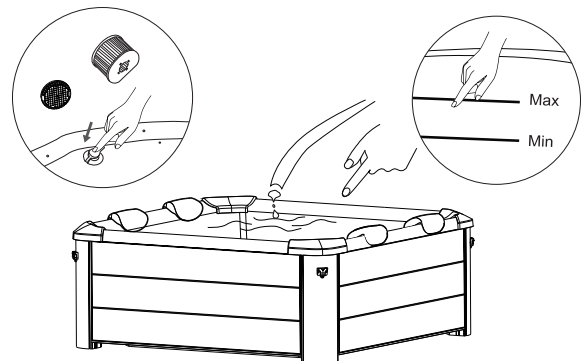
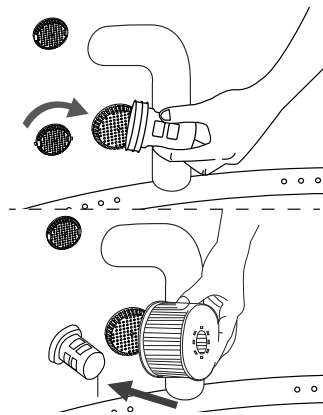
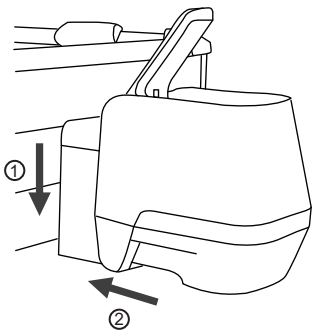
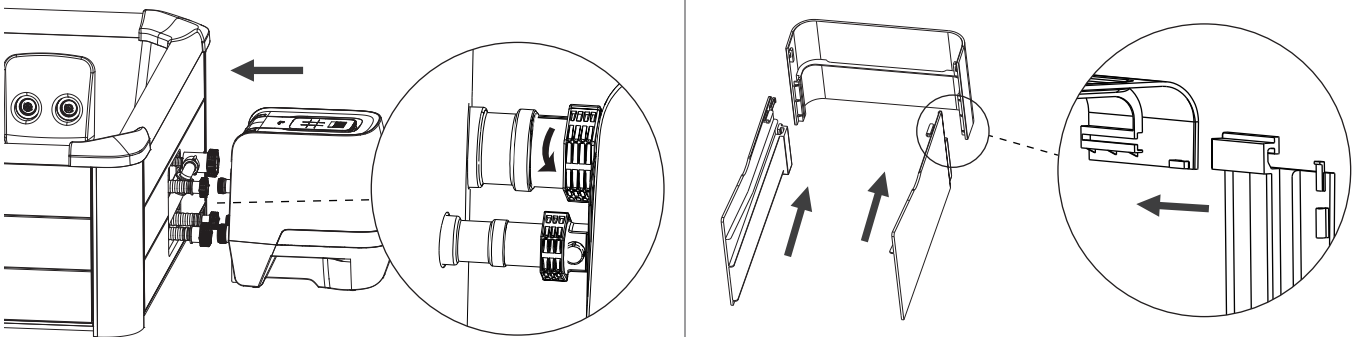
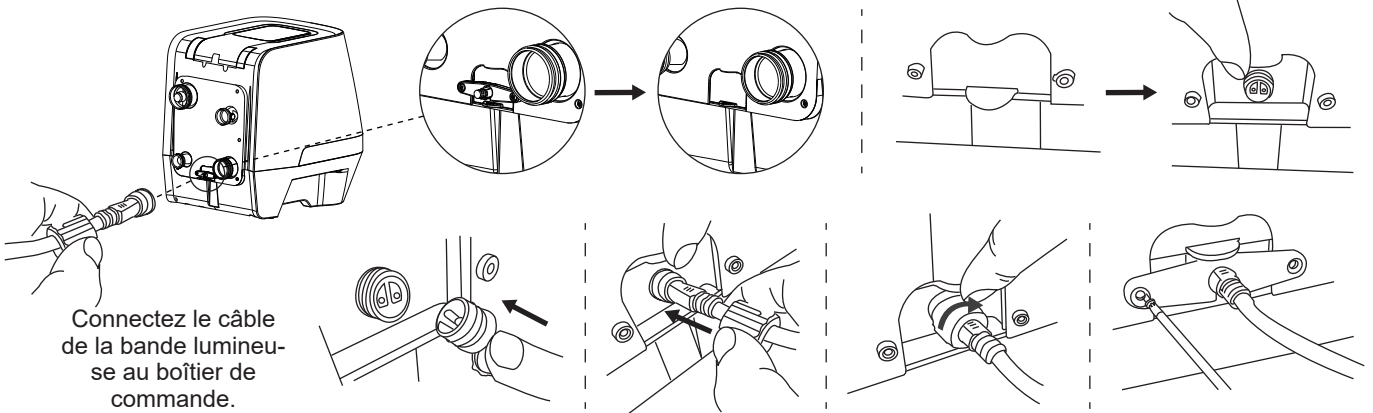


# INSTALLATION DU SPA

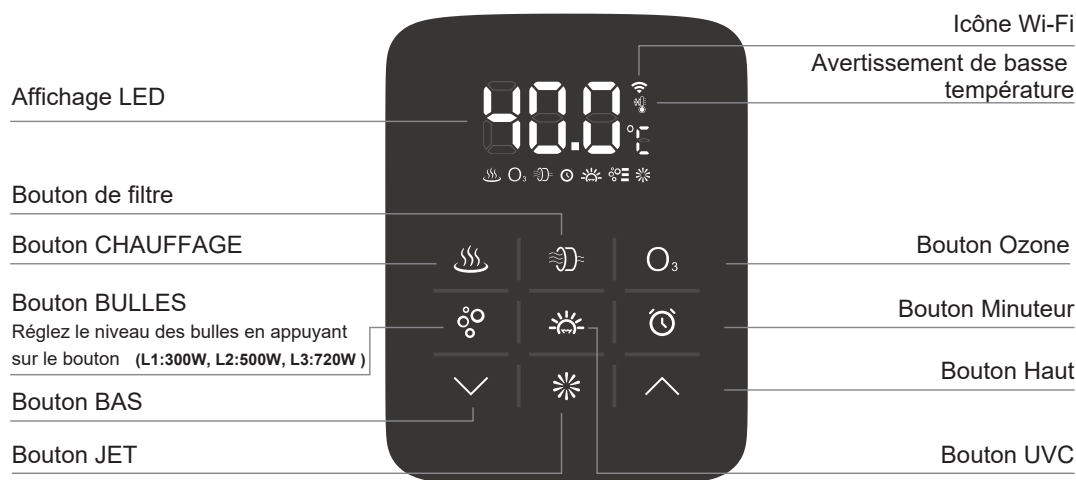




Appuyez longuement sur le bouton BUBBLE pendant plus de 3 secondes pour arrêter le gonflage.



# OPÉRATIONS DE CONTRÔLE



## Affichage LED

Une fois sous tension, appuyez sur la touche RESET du PRCD. La LED affiche automatiquement la température actuelle de l'eau.

**REMARQUE:** La température réelle de l'eau peut varier d'environ 1°C par rapport à la température affichée sur l'écran LED.

**Mode économie d'énergie:** Votre spa passe en mode économie d'énergie après 30 minutes d'inactivité. Dans ce mode, la luminosité de l'écran sera réduite et les touches non intentionnelles du bouton ne fonctionneront pas. Touchez n'importe quel bouton (sauf le bouton Haut/BAS) pour quitter le mode économie d'énergie.



## Bouton JET

Appuyez sur le bouton **JET** (☼) pour activer ou désactiver la fonction de massage par jet d'eau. Le bouton JET s'allume lorsqu'il est activé.

**REMARQUE:** Le bouton BULLES ne peut être réglé sur L1 ou L2 que lorsque le système JET est activé.

**REMARQUE:** Le système JET s'arrête automatiquement après une heure.

**REMARQUE:** La fonction JET ne peut pas être activée lorsque la température de l'eau ou la température ambiante est inférieure à 1°C / 33,8°F.

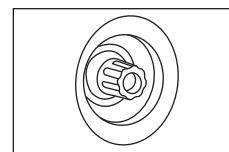
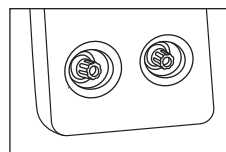
**REMARQUE:** La fonction JET ne peut pas être activée lorsque la protection contre les basses températures (❄️) est activée.

**REMARQUE:** La protection contre les basses températures est automatiquement désactivée lorsque la température de l'eau est supérieure à 20°C / 68°F.

**REMARQUE:** La protection contre les basses températures peut être désactivée manuellement en appuyant longuement sur le bouton JET (☼).

## Fonctionnement du jet

Réglez la buse pour modifier la direction du jet d'eau.  
Vissez la buse du jet pour modifier la force du jet d'eau.



20-40°C

## CHAUFFAGE

1. Appuyez sur le bouton **CHAUFFAGE** (🔥) pour activer/désactiver le système de chauffage. Les deux boutons CHAUFFAGE et FILTRE s'allument lorsque la fonction de chauffage est activée.
2. Appuyez sur le bouton (▲) **UP** ou (▼) **DOWN** pour régler l'eau à la température souhaitée (de 20°C à 40°C). Le nouveau réglage de température et la température souhaitée resteront affichés sur l'écran LED pendant 3 secondes pour confirmer la nouvelle valeur.

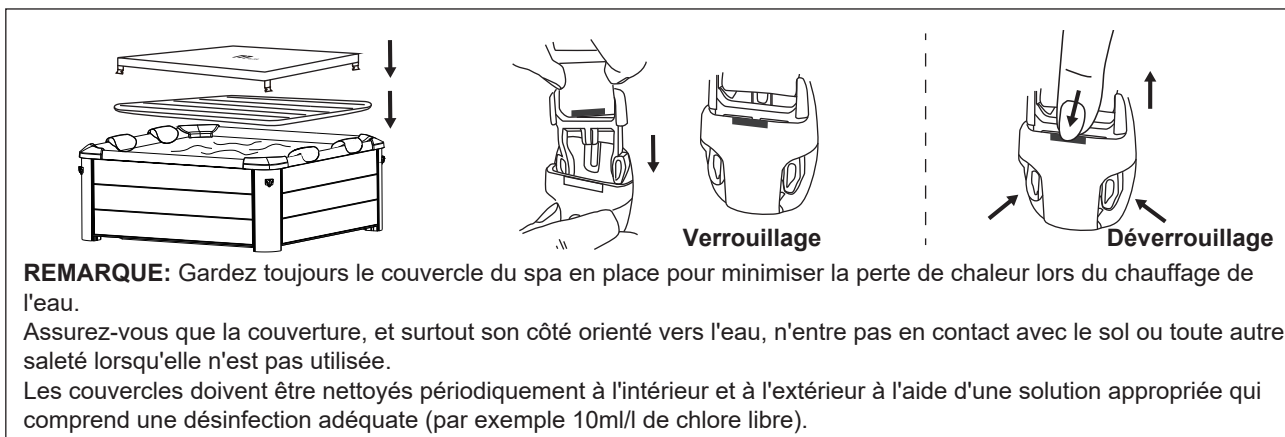
**REMARQUE:** La température par défaut est de 40°C.

**REMARQUE:** Si le système de chauffage est activé, le système de filtration se met automatiquement en marche.

**REMARQUE:** Lorsque la température de l'eau est inférieure à 1°C (33,8°F), le système d'antigivrage s'active automatiquement pour chauffer l'eau à 3°C (37,4°F).

**IMPORTANT:** Les conditions suivantes entraîneront un réchauffement lent de l'eau:


- Une température ambiante inférieure à 10°C (50°F).
- Une vitesse du vent extérieur supérieure à 3,5-5,4 m/s (8-12 mph).
- Si la fonction de bulles d'air est activée lorsque le réchauffeur est en marche.
- Si le couvercle du spa n'est pas correctement en place lorsque le réchauffeur est en marche.



Votre spa est équipé d'un réchauffeur PTC de 2200W. Pour vous garantir la meilleure expérience de spa, il répartira intelligemment la puissance en fonction des différentes fonctions activées.



### FILTRATION

Appuyez sur le bouton  **FILTER** pour activer ou désactiver la fonction. Le bouton s'allume lorsque la fonction est activée.

**REMARQUE:** Le système de filtration démarre automatiquement lorsque le système de chauffage, d'ozone ou d'assainissement UVC est activé.


**REMARQUE:** Après avoir éteint le système de chauffage, le système de filtration s'arrête automatiquement au bout de 30 secondes.


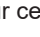
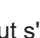
**Rappel de nettoyage de la cartouche du filtre:** Lorsque l'icône FILTER clignote en continu, la cartouche filtrante doit être nettoyée ou remplacée. Une fois cette opération effectuée, appuyez sur le bouton FILTER pendant 3 secondes pour réinitialiser le rappel.

**Auto-filtration:** Lorsque le spa est en mode veille, le système de filtration fonctionne automatiquement pendant 60 minutes toutes les 8 heures. Lorsque la température ambiante est inférieure à 1°C / 33,8°F, le filtre se mettra automatiquement en marche pour éviter que le tube ne gèle.



### MASSAGE AVEC BULLES

Appuyez sur le bouton  pour activer la fonction; maintenez le bouton BULLES enfoncé pendant 3 secondes pour désactiver la fonction. Le bouton BULLES s'allume lorsque la fonction est activée.

Le réglage de la fonction Bulles peut être réglé selon trois niveaux différents. Le réglage par défaut est au niveau 3  (720W). Appuyez sur le bouton BULLES pour passer au niveau 1  (300W). Appuyez à nouveau sur ce bouton pour passer au niveau 2  (500W).


**IMPORTANT:** Ne mettez pas le système de massage en marche lorsque le couvercle est fixé. L'air peut s'accumuler à l'intérieur du spa et causer des dommages irréparables et des lésions corporelles.

**REMARQUE:** La fonction de massage bouillonnant s'arrête automatiquement après 20 minutes de fonctionnement par mesure de sécurité. Elle peut être réactivée après 10 minutes en appuyant à nouveau sur le bouton BUBBLE.





### MINUTERIE DE CHAUFFAGE

Pour régler le nombre d'heures **À PARTIR DE MAINTENANT** où le chauffage s'activera:

1. Appuyez sur le bouton **MINUTERIE**  pour entrer en mode de pré-réglage. Le bouton s'allume alors.

1-99H

2. En appuyant sur le bouton **UP**  ou **DOWN**  la LED clignote. Pendant qu'elle clignote, vous pouvez régler le nombre d'heures avant l'activation du chauffage (de 1 à 99 heures). Le réglage de la minuterie souhaité restera affiché sur l'écran LED pendant 3 secondes pour confirmer la valeur.


**Pour modifier le réglage de la minuterie:** Appuyez à nouveau sur le bouton Timer et utilisez le bouton UP ou DOWN pour ajuster.

**Annuler le réglage:** Appuyez sur le bouton TIMER pendant 3 secondes.

**REMARQUE:** L'activation du système de chauffage ou le redémarrage du spa annule le réglage de la minuterie.




### ASSAINISSEUR UVC

Appuyez sur le bouton **UVC**  pour activer ou désactiver le système d'assainissement par UVC. Lorsque le bouton s'allume, le système d'assainissement par UVC est activé.

**REMARQUE:** L'émetteur UVC est intégré au boîtier de commande. Par conséquent, la fonction peut être activée à tout moment, même si des personnes se trouvent à l'intérieur du spa.



### OZONE

Appuyez sur le bouton **OZONE**  pour activer ou désactiver la fonction. Le bouton s'allume lorsque la fonction est activée. L'ozoniseur s'arrêtera automatiquement après 2 heures de fonctionnement.

**REMARQUE:** pour la sécurité des baigneurs, veuillez ne pas vous baigner dans le spa lorsque la fonction Ozone est activée. La fonction Ozone ne peut pas être activée lorsque la fonction BUBBLE est activée. Nous vous suggérons d'activer la fonction après avoir utilisé le spa.



### Bouton basculant Celsius/Fahrenheit

La température peut être affichée en Celsius ou en Fahrenheit. Appuyez sur le bouton **DOWN** pendant 3 secondes pour basculer entre les deux options.



### VERROUILLAGE DE SÉCURITÉ

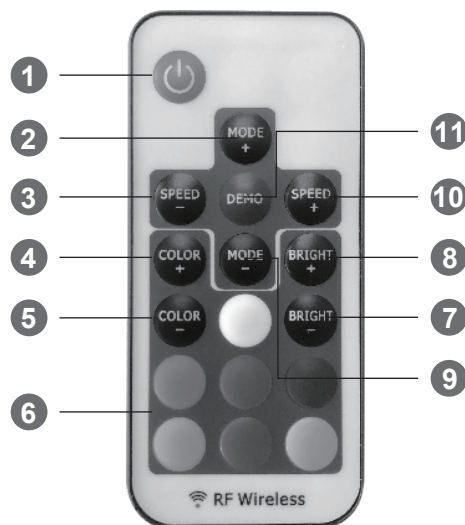


Appuyez simultanément sur les boutons **UP** et **DOWN** pendant 3 secondes pour verrouiller/déverrouiller le contrôleur. En mode verrouillage de sécurité, le contrôleur est désactivé et le spa conserve tous les réglages précédents.

## FONCTIONNEMENT DE LA BANDE LUMINEUSE À LED

### SPÉCIFICATIONS

Mode dynamique	21 modes
Couleur statique	20 couleurs
Classe PWM	256 niveaux
Niveau de luminosité	5 niveaux
Degré de vitesse	10 vitesses
Mode démo	Oui
Sélection directe de la couleur	Oui
Couleur de sortie modifiable	Oui, 6 options
Tension de fonctionnement	DC 5~24V
Courant de sortie	3x4A crête, 3x2A constant
Fréquence à distance	433,92 MHz
Distance à distance	>15m en espace ouvert



### FONCTIONNEMENT

#### Utilisation de la télécommande

Retirez le ruban isolant des piles avant de les utiliser. Installez les piles boutons (non fournies).

#### Appariement d'une nouvelle télécommande

La bande lumineuse et la télécommande du même ensemble ont déjà été appariées. Pour coupler la bande lumineuse à une nouvelle télécommande ou à une télécommande supplémentaire, veuillez suivre les étapes ci-dessous:

1. Débranchez la bande lumineuse. Rebranchez-la après 5 secondes.
2. Appuyez sur "SPEED+" et "SPEED-" en même temps et maintenez-les enfoncées pendant 5 secondes. L'appairage est alors terminé.

#### Changement de la séquence de couleur

Si le bouton de couleur directe ne correspond pas à la lumière LED de sortie, suivez les étapes ci-dessous pour ajuster les séquences lumineuses:

1. Débranchez la bande lumineuse. Rebranchez-la après 5 secondes.
2. Appuyez simultanément sur les boutons ROUGE et BLEU et maintenez-les enfoncés pendant 5 secondes. Avec cette opération, la séquence lumineuse de sortie va passer sur les 6 combinaisons possibles.

### FONCTIONNALITÉ

#### 1. Mise en marche / Veille

Appuyez sur le bouton pour mettre en marche la bande lumineuse ou passer en mode veille. Lorsqu'elle est mise sous tension, la bande lumineuse s'allume automatiquement et revient à l'état précédent.

#### 2/9. Réglage du mode dynamique

Permet de passer de la couleur statique au mode dynamique, ou de passer d'un mode dynamique à l'autre.

#### 3/10. Réglage de la vitesse dynamique

Permet de régler la vitesse de lecture dynamique. La lumière passera en mode dynamique si vous appuyez sur ce bouton en mode couleur statique.

#### 4/5. Réglage de la couleur statique

Permet de passer du mode dynamique au mode couleur statique, ou de passer d'une couleur statique à une autre.

#### 6. Sélection directe des couleurs

Permet de sélectionner directement les couleurs statiques. Lorsque vous appuyez sur le bouton d'une couleur spécifique, la bande lumineuse reproduit la même couleur statique. Les couleurs directes sont incluses dans les fonctions "COLOR+" et "COLOR-".

#### 7/8. Réglage de la luminosité

Permet de régler la luminosité des couleurs statiques. La lumière passera en mode couleur statique si vous appuyez sur ce bouton en mode dynamique.

#### 11. Mode Démo

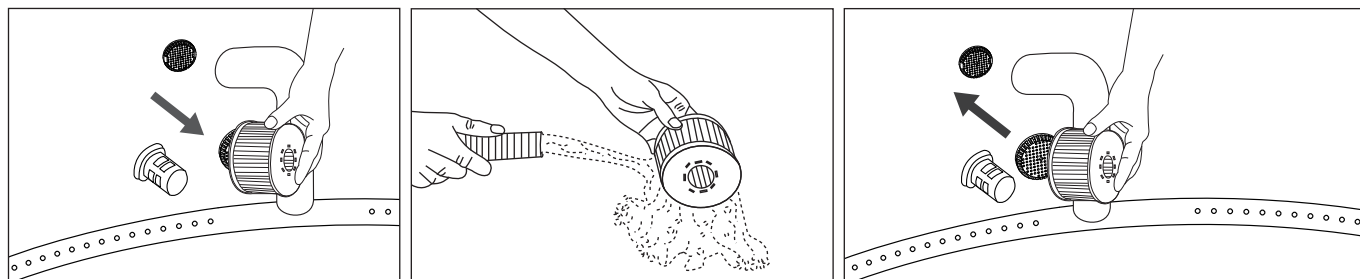
Appuyez sur ce bouton pour passer en mode Démo. En mode démo, 17 modes dynamiques sont joués en boucle, chaque mode étant répété 3 fois.

# ENTRETIEN DE L'EAU ET PRODUITS CHIMIQUES

**ATTENTION: ASSUREZ-VOUS TOUJOURS QUE LE SPA EST DÉBRANCHÉ AVANT DE COMMENCER TOUTE OPÉRATION D'ENTRETIEN POUR ÉVITER TOUT RISQUE DE BLESSURE OU DE MORT.**

## ENTRETIEN DES CARTOUCHES FILTRANTES

1. Inspectez et nettoyez délicatement la cartouche du filtre après chaque utilisation. Suivez les étapes ci-dessous:



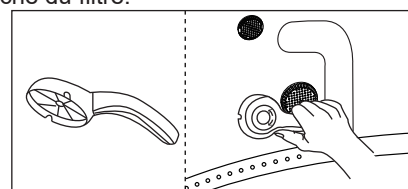
**REMARQUE:** Changez la cartouche du filtre tous les 3 à 5 jours, si la cartouche du filtre reste sale et décolorée.

**REMARQUE:** Lorsque le spa est rempli d'eau, une cartouche filtrante doit toujours être installée sur la base.

**REMARQUE:** Arrêtez toutes les fonctions avant de changer ou de nettoyer la cartouche du filtre.

2. Si l'entrée ou la sortie du spa est obstruée par des saletés, utilisez la clé pour dévisser le bouchon, puis nettoyez-le si nécessaire.

**REMARQUE:** Avant de dévisser la pièce, assurez-vous que le spa est vide. Ne le dévissez jamais lorsque le spa est rempli d'eau!



## EAU DU SPA

1. Changez l'eau du spa tous les 3 à 5 jours selon l'utilisation. Si des saletés sont visibles dans l'eau ou si l'eau devient trouble et que la bonne composition chimique de l'eau ne permet pas de la faire disparaître, changez l'eau et nettoyez la cuve du spa. Reportez-vous à la section " Nettoyage, vidange et stockage " pour obtenir des instructions.
2. Nous vous recommandons de prendre une douche avant d'utiliser le spa, car les produits cosmétiques, les lotions et autres résidus sur la peau peuvent rapidement dégrader la qualité de l'eau.
3. Lorsque le spa n'est pas utilisé, couvrez-le avec le couvercle à boucle pour éviter toute pollution.
4. Utilisez les produits chimiques du spa pour maintenir les conditions d'eau convenables. Les dommages au spa causés par un abus de produits chimiques ou une mauvaise gestion de l'eau du spa ne sont pas couverts par la garantie. Consultez votre revendeur local de spa ou de piscine pour plus d'informations concernant l'utilisation des produits chimiques.

### Assainissement de l'eau

Le propriétaire du spa doit régulièrement vérifier et maintenir l'assainissement de l'eau du spa grâce à un entretien régulier (quotidien, si nécessaire). L'ajout de désinfectant ou d'autres produits chimiques permet de contrôler les bactéries et la reproduction des virus dans l'eau du spa. Le maintien d'un bon équilibre de l'eau grâce à l'utilisation appropriée des désinfectants est le facteur le plus important pour optimiser la durée de vie et l'apparence du spa et garantir une eau propre, saine et sûre. Il est important d'adopter la bonne technique pour tester et traiter l'eau du spa.

Contactez votre professionnel du spa si vous avez des questions sur les produits chimiques, les désinfectants, les kits de test ou les procédures de test.

### Équilibre de l'eau

Suivez les instructions ci-dessous pour entretenir l'eau de votre spa.

PARAMETRES	FRÉQUENCE DES TESTS	NIVEAU CORRECT
pH	Quotidiennement	7,2-7,6 en cas d'utilisation de chlore; 7,2-7,8 en cas d'utilisation de brome.
Chlore libre	Quotidiennement	3-5 ppm
Brome résiduel	Quotidiennement	2-4 ppm
Alcalinité totale (AT)	Hebdomadaire	80-120 ppm
Dureté totale (DT)	Hebdomadaire	200-500 ppm

### REMARQUE

- Un pH faible endommagera la cuve du spa et la pompe. Tout dommage résultant d'un déséquilibre chimique annulera la garantie.
- Un pH élevé (eau dure) entraînera des phénomènes de coagulation blanche à l'intérieur de la pompe du filtre, ce qui pourrait endommager la pompe.



### Traitement de l'eau:

- Dans le cas d'un spa existant, il est bon de garder tous les jets d'air ouverts et les vannes fermées pour permettre à l'eau traitée chimiquement de circuler dans toute la tuyauterie.
- Suivez toujours les instructions du fabricant de produits chimiques et les avertissements relatifs à la santé et aux dangers.
- Ne mélangez jamais les produits chimiques entre eux. Ajoutez les produits chimiques à l'eau du spa séparément. Dissolvez soigneusement chaque produit chimique avant de l'ajouter à l'eau.
- Veuillez noter que le chlore et le brome ne doivent jamais être mélangés. Cela est extrêmement dangereux. Si vous utilisez habituellement des produits à base de chlore et que vous souhaitez passer à des produits à base de brome ou vice versa, il est essentiel de changer l'eau du spa au préalable.
- N'ajoutez pas de produits chimiques si le spa est occupé. Cela peut provoquer une irritation de la peau ou des yeux.
- N'abusez pas des produits chimiques et n'utilisez pas de chlore concentré. Cela pourrait endommager la cuve du spa et présenter un risque potentiel pour votre peau. L'utilisation inappropriée de produits chimiques annule la garantie.

## DISTRIBUTEUR FLOTTANT

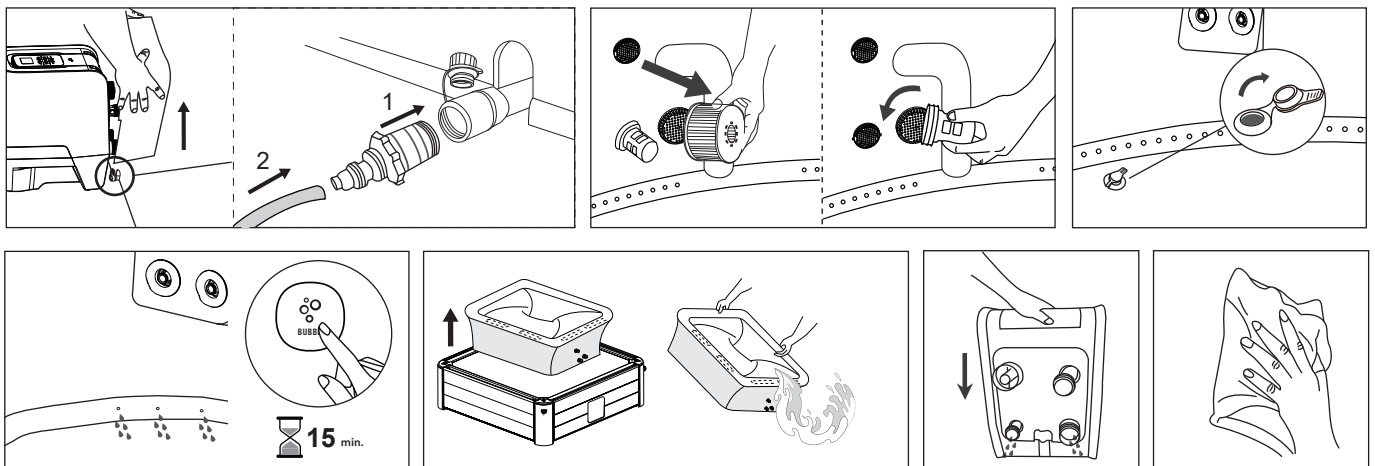
Votre spa est équipé d'un distributeur de produits chimiques standard. Ce distributeur convient uniquement aux tablettes de 1". Ne versez pas de liquide ou de granulés dans le distributeur.



**REMARQUE:** Retirez le distributeur de produits chimiques du spa lorsque ce dernier est utilisé.

## DRAINAGE, NETTOYAGE ET STOCKAGE

### Drainage du Spa



### Nettoyage de la cuve du spa

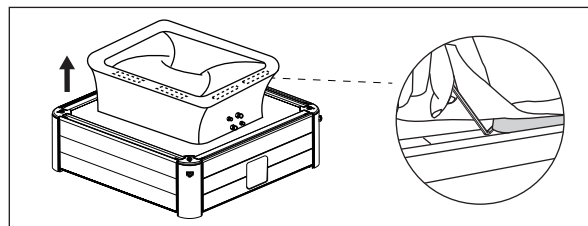
Si des saletés sont visibles dans l'eau ou si l'eau devient trouble et que la bonne composition chimique de l'eau ne permet pas de l'éliminer, changez l'eau et nettoyez la cuve du spa. Consultez la section " Drainage de la cuve du spa " pour savoir comment vider le spa. Pendant la vidange, nettoyez et/ou remplacez la cartouche du filtre. Utilisez une éponge et une solution de savon doux pour essuyer toute saleté ou tache se trouvant à l'intérieur de la paroi du spa. Rincez soigneusement avant de remplir le spa avec de l'eau propre.

**IMPORTANT:** N'utilisez pas de laine d'acier, de brosses dures ou de nettoyants abrasifs.

## Instructions pour le démontage

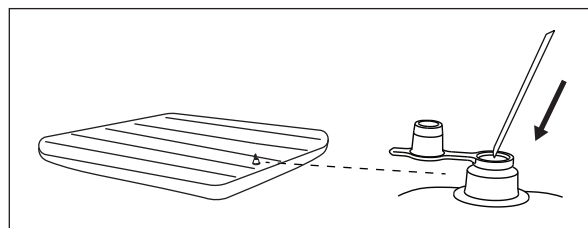
Retirez toutes les pièces dans l'ordre inverse des étapes d'installation.

**REMARQUE:** Pour retirer le revêtement, utilisez une clé en L pour faire levier sur le bloc de retenue et le sortir de la fente du panneau latéral. Ne tirez pas directement sur le revêtement.



## Dégonflement de la vessie du Spa

1. Ouvrez le bouchon de la valve pour dégonfler la vessie. Pour un dégonflage rapide, insérez la paille (incluse dans le kit de réparation) dans la valve.
2. Une fois le dégonflage terminé, remettez le bouchon en place.



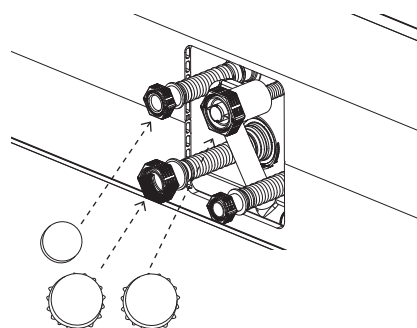
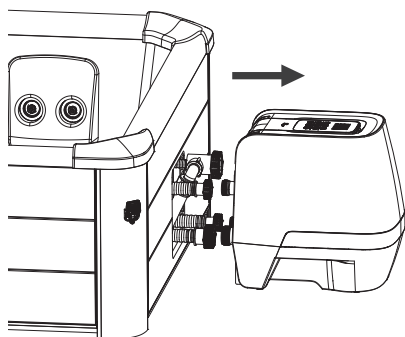
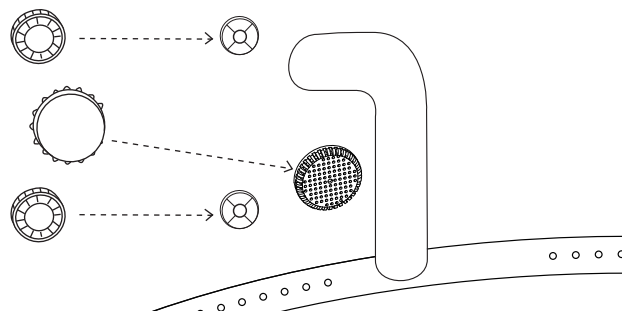
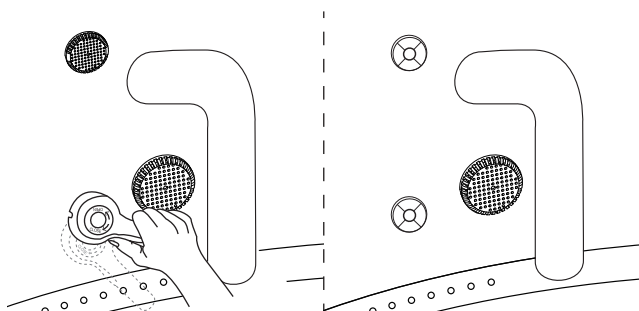
## Réparation de la cuve du spa et de la vessie gonflable

Utilisez le patch de réparation joint pour réparer toute perforation:

1. Nettoyez et faites sécher soigneusement la zone à réparer.
2. Appliquez la colle sur le patch en PVC et fixez-le rapidement sur la surface endommagée. (La colle n'est pas incluse)
3. Lissez la surface pour éliminer les bulles d'air et laissez-la sécher pendant 5 à 10 minutes.

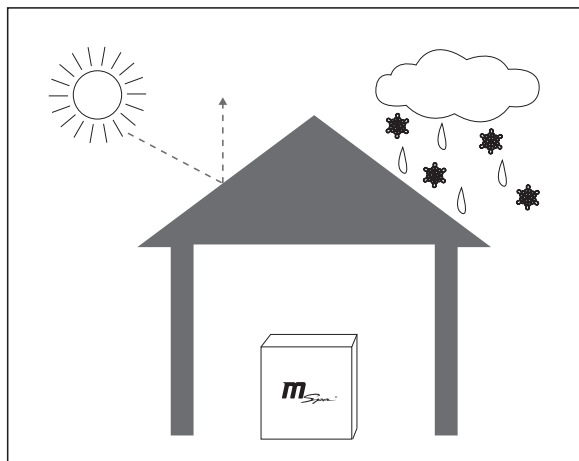
**REMARQUE:** La colle n'est pas incluse.

## Instructions concernant le blocage du canal eau/air



## Stockage et préparation pour une utilisation future

1. Vidangez et nettoyez le spa en suivant les sections " Vidange " et " Nettoyage du spa ".
2. Reportez-vous aux instructions pour dégonfler la vessie d'air.
3. Assurez-vous que tous les composants et tous les accessoires du spa sont parfaitement propres et secs avant de le ranger. Faites sécher la cuve du spa à l'air libre au soleil doux pendant une heure avant de la plier.
4. Pliez la cuve du spa sans serrer et en évitant les angles vifs pour ne pas l'endommager ou provoquer une fuite du revêtement du spa.
5. Préparez de nouvelles cartouches supplémentaires pour la prochaine utilisation.
6. Stockez le spa et les accessoires dans un environnement sec, à température contrôlée, entre 0°C et 40°C (32°F - 104°F). Nous vous recommandons de stocker le spa avec un dessiccateur.
7. L'emballage d'origine est recommandé pour le stockage.
8. Après un stockage de longue durée, remplissez le spa d'eau propre et de désinfectant, et mettez le FILTRE en marche pendant au moins une heure avant de l'utiliser.



## PRÉCAUTIONS À PRENDRE EN CAS D'UTILISATION EN HIVER

### Installation

Les basses températures peuvent durcir le matériau PVC et le rendre plus fragile.

- Avant d'être déplié, le nouveau spa a peut-être été stocké ou transporté à basse température (inférieure à 4°C / 39°F). Dans ce cas, mettez l'emballage à l'intérieur ou dans un endroit chaud pendant 12 heures pour ramollir le matériau avant de l'utiliser.

### Chauffage et préservation de la chaleur

Par temps froid, le chauffage de l'eau prendra beaucoup plus de temps. Il est alors suggéré de:

- Remplir la cuve du spa avec de l'eau tiède (pas plus de 40°C / 104°F) pour qu'elle puisse être chauffée plus rapidement.
- Utiliser un tapis de sol et une vessie gonflable pour un meilleur effet de préservation de la chaleur.
- Lorsque la température extérieure est inférieure à 4°C(39°F), même si vous n'utilisez pas le spa, tant qu'il est rempli d'eau, le réchauffeur doit toujours être allumé (ou mettre le spa en mode veille) pour éviter que l'eau ne gèle.
- Votre spa est équipé d'un système anti-givre. Mettez le spa en mode veille, lorsque la température ambiante est inférieure à 1°C / 33,8°F, le filtre fonctionnera automatiquement. Et lorsque la température de l'eau est inférieure à 1°C/33,8°F, le réchauffeur fonctionnera automatiquement. Cela permet ainsi d'éviter que l'eau ne gèle. Si vous n'avez pas l'intention d'utiliser le spa prochainement, veuillez le démonter et le ranger en suivant la procédure de stockage.
- Lorsque le système antigivre est activé, le système peut détecter que le spa se trouve dans des conditions de froid extrême qui n'est pas appropriée pour l'hydro massage. Une icône de neige s'affichera alors à l'écran pour l'indiquer. Dans cet état, la fonction JET ne peut pas être activée. Veuillez chauffer l'eau à 20°C (68°F) ou plus pour profiter de cette fonction.

### Par temps de pluie

Si le spa est placé à l'extérieur, ne l'utilisez pas lorsqu'il pleut.

Si le spa est placé à l'abri de la pluie, n'activez pas la fonction bulles. En effet, la pluie présente dans l'air environnant sera également aspirée par la pompe, ce qui rendra le générateur de bulles humide et rouillé et cela pourrait entraîner alors un dysfonctionnement et annuler votre garantie.

Il est recommandé de placer la fiche et la prise dans un endroit non exposé à la pluie, afin d'éviter tout dommage qui pourrait être causé par une accumulation d'eau due à une pluie excessive.

## ÉLIMINATION ET PROTECTION DE L'ENVIRONNEMENT



Cette marque indique que le produit ne doit pas être jeté avec les autres déchets ménagers. Pour éviter tout dommage éventuel à l'environnement ou à la santé humaine dû à l'élimination incontrôlée des déchets, les produits doivent être recyclés de manière responsable afin de promouvoir la réutilisation durable des ressources matérielles. Vous pouvez obtenir des informations sur l'élimination des déchets auprès de vos autorités locales.

Pour retourner votre appareil usagé, veuillez utiliser les systèmes de retour et de collecte ou contacter le détaillant où le produit a été acheté pour un recyclage respectueux de l'environnement.

# DÉPANNAGE

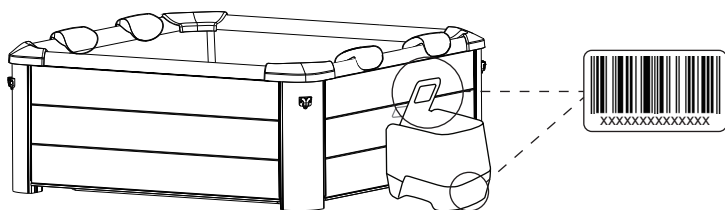
## TABLEAU DES CODES D'ERREUR

LED READING	CAUSE	SOLUTION
- - - / 888 / EEP	Le fil de signal est desserré	Contactez le centre de service MSpa local
	Échec de la communication	Contactez le centre de service MSpa local
F0	La température de l'eau est inférieure à 0°C (32°F) ou dépasse 50°C (122°F)	Changer l'eau
	Défaillance du capteur de température	Contactez le centre de service MSpa local
F1	F1 s'affiche immédiatement après avoir appuyé sur FILTER, HEATING ou UVC.	Nettoyer les pièces et les tubes par lesquels passe l'eau
	F1 s'affiche 15s après avoir appuyé sur FILTER, HEATING ou UVC.	<ol style="list-style-type: none"> <li>1. Ajouter de l'eau jusqu'au niveau minimum</li> <li>2. Nettoyer les pièces et les tubes par lesquels l'eau passe</li> <li>3. Contacter le centre de service MSpa local</li> </ol>

PROBLÈME	CAUSE	SOLUTION
<b>PAS D'AFFICHAGE SUR LE PANNEAU DE COMMANDE</b>	Le PRCD est éteint	Changer la de prise ou réparer la prise avant de l'utiliser
	En appuyant sur le bouton Reset, le contrôleur n'est pas affiché	Réinitialiser le PRCD en suivant la section Tests du PRCD
	PRCD cassé	Contactez le centre de service MSpa local
	La connexion de l'entrée et de la sortie du spa n'est pas bien serrée.	Contactez le centre de service MSpa local
<b>FUITE DU SPA</b>	La valve de vidange n'est pas bien fermée.	Serrer la connexion d'entrée et de sortie
	Température réglée trop basse	Fermer la valve de drainage. Contacter le centre de service Mspa, si le spa fuit toujours
<b>NE CHAUFFE PAS CORRECTEMENT</b>	La cartouche du filtre est sale	Choisir une température plus élevée
	Le niveau d'eau est au-dessous de la ligne d'eau minimale	Nettoyer ou remplacer la cartouche du filtre
	Panne de chauffage	Ajouter de l'eau au moins jusqu'à la ligne minimale
	La pompe à filtre NE FONCTIONNE PAS	Contactez le centre de service MSpa local
<b>L'EAU N'EST PAS PROPRE</b>	L'eau a été utilisée pendant une longue période de temps	Voir la section " LA POMPE À FILTRE NE FONCTIONNE PAS "
	Temps de filtrage insuffisant	Changer l'eau
	Cartouche de filtre sale	Prolonger le temps de filtration
	Mauvais entretien de l'eau	Nettoyer ou remplacer la cartouche du filtre à temps
<b>PAS DE BULLES</b>	Arrêt automatique après 10 minutes	Consulter les instructions du fabricant de produits chimiques
	Pièces internes endommagées	Attendre 10 minutes et rallumer le bouton Bulles
	Prise de courant défectueuse	Contactez le centre de service MSpa local
<b>LA POMPE DU FILTRE NE FONCTIONNE PAS</b>	Le PRCD est éteint	Contactez le centre de service MSpa local
	En appuyant sur le bouton Reset, le contrôleur n'est pas affiché	Nettoyer ou remplacer la cartouche du filtre
<b>PANNE DE L'OZONATEUR</b>	PRCD cassé	Contactez le centre de service MSpa local
	La connexion de l'entrée et de la sortie du spa n'est pas bien serrée	Ajouter de l'eau au-delà de la ligne minimale
	La valve de vidange n'est pas bien fermée	Contactez le centre de service MSpa local
<b>DÉFAILLANCE DE LA FONCTION JET (sans icône)</b>	Température réglée trop basse	Voir la section " LE FILTRE DE LA POMPE NE FONCTIONNE PAS "
	La cartouche du filtre est sale	Ajouter de l'eau au-delà de la ligne minimale
	Le niveau d'eau est au-dessous de la ligne d'eau minimale	Nettoyer les entrées de la pompe de filtration et de la pompe à jets
<b>DÉFAILLANCE DE LA FONCTION JET (avec icône)</b>	Panne de chauffage	Voir la section " LE FILTRE DE LA POMPE NE FONCTIONNE PAS "
	La pompe à filtre NE FONCTIONNE PAS	Chauffer l'eau jusqu'à 20°C (68°F)
<b>DÉFAILLANCE DE LA FONCTION JET (avec icône)</b>	L'eau a été utilisée pendant une longue période de temps	Assurez-vous que la température de l'eau est supérieure à 20°C (68°F). Appuyez sur le bouton JET pendant 3 secondes pour déverrouiller la fonction JET. Si la procédure ci-dessus ne fonctionne pas, continuez à chauffer l'eau et réessayez plus tard.

Où puis-je trouver le numéro de série ?

À l'arrière du boîtier de commande. Ou au pied du boîtier de commande.



Comment puis-je trouver mon agent de service?

\* Scanner le code QR ci-dessous ou visiter le site <https://www.the-mspa.com/after-sales>.

1. Saisissez le numéro de série de votre spa.
2. Le prestataire de services correspondant s'affichera alors.



\* Vous pouvez trouver les coordonnées du centre de services local au dos de la carte de garantie.

CONTACTEZ VOTRE DISTRIBUTEUR LOCAL DE MSPA OU LE CENTRE DE SERVICES POUR TOUTE QUESTION OU PROBLÈME

## GARANTIE LIMITÉE MSPA

Le MSpa® a été fabriqué dans un souci de fiabilité et de simplicité. Avant de quitter l'usine, tous les produits ont été inspectés et jugés exempts de défauts.

MSpa garantit ce produit contre tout défaut identifié dans le matériau ou la fabrication pour une période de: Revêtement de la piscine du spa - **douze (12) mois** à compter de la date d'achat initiale.

Pièces électriques (boîtier de commande) - **douze (12) mois** à compter de la date d'achat initiale. Cadres des parois rigides du spa - **vingt-quatre (24) mois** à compter de la date d'achat initiale.

La période de garantie commence à la date d'achat et MSpa exige la présentation de la preuve d'achat originale pour vérifier la date.

Pendant la période de garantie, MSpa réparera ou remplacera, à sa seule discrétion, tout produit défectueux. Les produits remplacés ou les pièces réparées ne seront garantis que pour la partie non expirée de la garantie originale.

### Politique d'expédition

Les consommateurs sont responsables de l'expédition/du fret lors du retour des pièces défectueuses au centre de service agréé MSpa ou à ORPC-Oriental Recreational Products (Shanghai) Co., Ltd.

### Politique en matière de garantie

- Cette garantie limitée ne s'applique pas à tout défaut causé par une négligence, un accident, une mauvaise utilisation ou toute autre raison hors du contrôle raisonnable de MSpa, y compris, mais sans s'y limiter, l'usure normale, la négligence ou le non-respect des instructions du produit, un entretien inapproprié ou inadéquat; le raccordement à une alimentation électrique inappropriée; les dommages causés par de l'eau chimique, la perte d'eau de la piscine, la modification ou la réparation non autorisée du produit; l'utilisation à des fins commerciales; le feu, la foudre, les inondations ou d'autres causes externes.
- Cette garantie est valable uniquement dans le pays où le produit a été acheté, dans les pays où MSpa vend et entretient le même modèle avec des spécifications techniques identiques. Le service de garantie en dehors du pays d'achat est limité aux termes et conditions de la garantie correspondante dans le pays de service. Lorsque le coût des réparations ou du remplacement n'est pas couvert par cette garantie, MSpa en informera les propriétaires et le coût sera facturé au propriétaire.
- Cette garantie s'applique uniquement à l'acheteur initial et prend fin lors de tout transfert de propriété.
- Toutes les réparations faisant l'objet d'une demande de garantie doivent être autorisées au préalable par ORPC, par l'intermédiaire d'un distributeur ou d'un agent accrédité, à condition que la pièce défectueuse soit envoyée à l'acheteur agent accrédité, à condition que la pièce défectueuse soit renvoyée au distributeur ou à l'agent, transport prépayé, si nécessaire.
- Le distributeur vendeur agréé est responsable de tous les travaux de service sur le terrain effectués sur votre produit MSpa. ORPC ne sera pas responsable des frais de traitement effectués par du personnel de service non autorisé.
- Les produits, portant à la fois la mention MSpa et importateur, sont régis exclusivement par la garantie fournie par l'importateur.

### Enregistrement de la garantie

Veillez toujours conserver le reçu d'achat et la carte de garantie en cas de demande de garantie ultérieure. Toutes les réclamations doivent être soumises à un revendeur agréé ou à un partenaire de service MSpa. Il est essentiel que toutes les demandes soumises fournissent toutes les informations nécessaires, y compris le nom du client, le reçu d'achat, le numéro de série, le numéro du produit, le problème et les pièces demandées.



**m**Spa

## Benutzerhandbuch

OSLO F-OS063W  
NAPUKA 522625 DE



	  <p>FRAGEN? PROBLEME? FEHLENDE TEILE? Für FAQs, Bedienungsanleitungen, Videos oder Ersatzteile, besuchen Sie bitte <a href="http://www.the-mspa.com/support">www.the-mspa.com/support</a></p>
---	--

Aufgrund des kontinuierlichen Produktverbesserungsprozesses von MSpa behält sich MSpa das Recht vor, die Spezifikationen und das Aussehen seiner Produkte zu ändern, was zu Aktualisierungen der Bedienungsanleitung ohne Vorankündigung führen kann.



Offizielle Website von Mspa



Videos zur Installation von MSpa



Liste der MSpa Servicecenter



MSpa Bedienungsanleitung (mehrsprachig)

## INHALT

---

Sicherheitsvorkehrungen .....	3
Spezifikationen .....	8
Zubehör .....	8
Erstbenutzung und Vorbereitung der Installation .....	9
Installation des Whirlpools .....	10
Betrieb kontrollieren .....	12
Bedienung des LED-Strips .....	14
Wartung und Chemikalien für das Wasser .....	15
Entleerung, Reinigung und Lagerung .....	16
Vorsichtsmaßnahmen für den Gebrauch im Winter .....	18
Entsorgung und Umweltschutz .....	18
Fehlerdiagnose .....	19
Beschränkte Garantie von MSPA .....	20

# SICHERHEITSVORKEHRUNGEN

---

Bitte beachten Sie zu Ihrer eigenen Sicherheit und der Sicherheit Ihres Produkts die folgenden Sicherheitsvorkehrungen. Die Nichtbeachtung der Anweisungen kann zu schweren Verletzungen, Sachschäden oder zum Tode führen. Bei unsachgemäßer Installation oder Bedienung erlischt die Garantie.

**BITTE STELLEN SIE SICHER, DASS SIE ALLE ANWEISUNGEN LESEN, VERSTEHEN UND BEFOLGEN.**

**BEWAHREN SIE DIESES HANDBUCH ZUM SPÄTEREN NACHSCHLAGEN AUF.**

## GEFAHR

- Gefahr eines versehentlichen Ertrinkens. Es ist äußerste Vorsicht ist geboten, um den unbefugten Zugang von Kindern zu verhindern.
- Gefahr des Ertrinkens. Überprüfen Sie die Whirlpool-Abdeckung regelmäßig auf Undichtigkeiten, frühzeitige Abnutzung, Schäden oder Verfallsanzeichen. Verwenden Sie niemals eine abgenutzte oder beschädigte Abdeckung: Sie bietet nicht den erforderlichen Schutz, um den unbeaufsichtigten Zugang eines Kindes zum Whirlpool zu verhindern.
- Gefahr des Ertrinkens. Verriegeln Sie die Whirlpool-Abdeckung nach jedem Gebrauch.
- Verletzungsgefahr. Die Saugarmaturen in diesem Whirlpool sind so bemessen, dass sie dem von der Pumpe erzeugten spezifischen Wasserfluss entsprechen. Nehmen Sie den Whirlpool nie in Betrieb, wenn die Ansauganschlüsse defekt sind oder fehlen. Ersetzen Sie einen Ansaugstutzen niemals durch ein inkompatibles Modell.
- Offensichtlich beschädigte Geräte dürfen nicht betrieben werden.
- Verletzungsgefahr. Wenn das Netzkabel beschädigt ist, muss es durch den Hersteller, einen Servicevertreter oder eine ähnlich qualifizierte Person ersetzt werden, um eine Gefährdung zu vermeiden.
- Stromschlaggefahr. Lassen Sie keine elektrischen Geräte wie Lampen, Telefone, Radios oder Fernseher in einem Umkreis von 1,5 m um eine Whirlpool-Wanne zu.
- Stromschlaggefahr. Benutzen Sie den Whirlpool nicht, wenn es regnet, donnert oder blitzt.

## WARNUNG

- Um die Gefahr eines Stromschlags zu verringern, verwenden Sie kein Verlängerungskabel, keine Zeitschaltuhren, keine Steckeradapter oder Konverter-Stecker, um das Gerät an die Stromversorgung anzuschließen. Sorgen Sie für eine ordnungsgemäß platzierte Steckdose.
- Dieses Gerät mit eingebauten Heizelementen muss an eine geerdete Netzsteckdose mit einem Netzkabel mit Stecker und eine PRCD (ortsveränderliche Fehlerstrom-Schutzeinrichtung) mit einem Auslösestrom von 10 mA angeschlossen werden.
- Dieses geerdete Gerät darf für eine feste Verkabelung nur direkt an eine Schutzkontakt-Steckdose angeschlossen werden.
- Teile, die spannungsführende Komponenten enthalten, mit Ausnahme der Teile, die mit einer Sicherheitskleinspannung von höchstens 12 V versorgt werden, müssen für alle Personen, die den Whirlpool benutzen, unzugänglich sein.
- Teile, die elektrische Komponenten enthalten, mit Ausnahme von Fernbedienungsrichtungen, müssen so platziert oder befestigt werden, dass sie nicht in den Whirlpool fallen können.
- Die Elektroinstallation sollte die örtlichen Anforderungen oder Normen erfüllen.
- Die kabelgebundene Fernbedienung muss bei Nichtgebrauch ordnungsgemäß in der Seitentasche verstaut werden, um sie vor Stürzen oder anderen Gefahren zu schützen.

- Dieses Gerät kann von Kindern ab 8 Jahren und von Personen mit eingeschränkten körperlichen, sensorischen oder geistigen Fähigkeiten oder mangelnder Erfahrung und Kenntnissen benutzt werden, vorausgesetzt, sie werden beaufsichtigt oder sind in die sichere Verwendung des Geräts eingewiesen worden und verstehen die damit verbundenen Gefahren. Kinder dürfen nicht ohne Aufsicht mit dem Gerät spielen und weder Reinigungs- noch Wartungsarbeiten am Gerät durchführen.
- Um Risiken oder Verletzungen einzuschränken, halten Sie Kinder von diesem Produkt fern, wenn sie nicht streng überwacht werden.
- Um das Risiko des Ertrinkens von Kindern zu minimieren, sollten Kinder ständig beaufsichtigt werden. Bringen Sie die Whirlpool-Abdeckung nach jedem Gebrauch an und schließen Sie diese ab.
- Vergewissern Sie sich, dass der Boden die erwartete Belastung tragen kann, die auf dem Datenblatt zu finden ist. Dazu müssen Sie das Gewicht der erwarteten Wasserfüllmenge mit dem Gesamtgewicht addieren.
- Um den Whirlpool herum muss ein adäquates Entwässerungssystem vorgesehen werden, um überlaufendes Wasser abzuleiten.
- Vorkehrungen zur Verringerung des Verletzungsrisikos:
  - a) Für Kleinkinder und bei einer Whirlpool-Benutzung von mehr als 10 Minuten empfehlen sich niedrigere Wassertemperaturen. Um ein mögliches Auftreten von Hyperthermie (Überwärmung des Körpers) zu vermeiden, wird empfohlen, dass die durchschnittliche Whirlpool-Wassertemperatur 40 °C (104 °F) nicht überschreitet. Beachten Sie, dass der als angenehm empfundene Temperaturbereich während des Gebrauchs unterhalb der maximal zulässigen Temperatur liegen kann.
  - b) Da überhöhte Wassertemperaturen in den ersten Schwangerschaftsmonaten ein hohes Potenzial haben, Schäden am Fötus zu verursachen, sollten schwangere oder möglicherweise schwangere Frauen die Wassertemperaturen im Whirlpool auf 38 °C (100 °F) begrenzen.
  - c) Vor dem Betreten des Whirlpools oder Hottubs sollte der Benutzer die Wassertemperatur mit einem genauen Thermometer messen, da die Toleranz der Wassertemperatur-Regelvorrichtungen variieren kann.
  - d) Die Einnahme von Alkohol, Drogen oder Medikamenten vor oder während der Benutzung des Whirlpools kann zu Bewusstlosigkeit und einem möglichen Ertrinken führen.
  - e) Die Einnahme von Alkohol, Drogen oder Medikamenten kann das Risiko einer tödlichen Hyperthermie im Whirlpool stark erhöhen.
  - f) Die Ursachen und Symptome der Hyperthermie können wie folgt beschrieben werden: Hyperthermie tritt auf, wenn die innere Körpertemperatur ein Niveau erreicht, das einige Grad über der normalen Körpertemperatur von 37 °C (98,6 °F) liegt. Zu den Symptomen der Hyperthermie gehören ein Anstieg der inneren Körpertemperatur, Schwindelgefühl, Lethargie, Schläfrigkeit und Ohnmacht. Zu den Auswirkungen einer Hyperthermie zählen die Unfähigkeit, Wärme wahrzunehmen, das Bedürfnis, den Whirlpool zu verlassen, das Übersehen drohender Gefahren, Schäden am Fötus bei schwangeren Frauen, die körperliche Unfähigkeit, den Whirlpool zu verlassen, und Bewusstlosigkeit, die zu einer Ertrinkungsgefahr führt.
  - g) Übergewichtige Personen oder Personen mit Vorerkrankungen am Herz, niedrigem oder hohem Blutdruck, Kreislaufproblemen oder Diabetes sollten vor der Benutzung eines Whirlpools einen Arzt konsultieren.
  - h) Personen, die Medikamente einnehmen, sollten vor der Benutzung eines Whirlpools einen Arzt konsultieren, da einige Medikamente Schläfrigkeit hervorrufen oder die Herzfrequenz, den Blutdruck oder den Kreislauf beeinflussen können.
  - i) Bei Schwangerschaft, Diabetes, einem schlechten Gesundheitszustand oder Personen unter ärztlicher Behandlung sollte vor der Anwendung ein Arzt aufgesucht werden.

- Menschen mit einer Infektionskrankheit sollten keinen Spa oder Whirlpool benutzen.
- Um Verletzungen zu vermeiden, gehen Sie beim Betreten oder Verlassen des Whirlpools oder Spa vorsichtig vor.
- Wassertemperaturen von mehr als 40 °C (104 °F) können gesundheitsschädlich sein.
- Benutzen Sie einen Whirlpool oder Spa niemals allein und lassen Sie ihn auch andere nicht allein benutzen.
- Nutzen Sie den Whirlpool oder Spa nicht unmittelbar nach einer anstrengenden Trainingseinheit.
- Die Wärme des Whirlpools kann in Verbindung mit Alkohol, Drogen oder Medikamenten Bewusstlosigkeit verursachen.
- Verlassen Sie den Whirlpool sofort, wenn Sie sich unwohl, schwindlig oder schläfrig fühlen. Die Wärme des Whirlpools kann Hyperthermie und Bewusstlosigkeit verursachen.
- Um ein Einfrieren zu verhindern, darf der Whirlpool keinen Temperaturen unter 0 °C (32 °F) ausgesetzt werden, wenn sich noch Wasser im Becken befindet. Es ist hilfreich, eine Temperaturschutzmatte zwischen den Whirlpool und den Boden zu legen. Eine ähnliche Matte aus Schaumstoff oder einem anderen Material mit Wärmesperrfunktion kann ebenfalls verwendet werden. Schalten Sie den Whirlpool nicht ein, wenn das Wasser gefroren ist.
- Geben Sie niemals Wasser mit einer Temperatur von mehr als 40 °C (104 °F) direkt in den Whirlpool.
- Ziehen Sie immer den Netzstecker aus der Steckdose, bevor Sie das Produkt entfernen, reinigen, oder Wartungs- oder Anpassungsarbeiten vornehmen.
- Springen oder tauchen Sie niemals in einen Whirlpool oder flaches Wasserbecken.
- Kein Teil des elektrischen Geräts darf sich während der Benutzung über dem Whirlpool befinden.
- Vergraben Sie das Stromkabel keinesfalls. Positionieren Sie das Kabel so, dass es nicht durch Rasenmäher, Heckenscheren oder andere Geräte beschädigt wird.
- Versuchen Sie nicht, das Gerät ein- oder auszustecken, während Sie im Wasser stehen oder wenn Ihre Hände nass sind.
- Verwenden Sie den Whirlpool nicht, wenn er bei der Lieferung beschädigt ist und/oder in irgendeiner Weise nicht richtig funktioniert.
- Wenden Sie sich für weitere Anweisungen an das Servicecenter von MSpa.
- Halten Sie alle Haustiere vom Whirlpool fern, um Schäden zu vermeiden.
- Fügen Sie dem Badewasser kein Badeöl oder Badesalz hinzu.
- Vermeiden Sie es zu jeder Zeit, den Kopf unter Wasser zu halten.
- Vermeiden Sie das Verschlucken des Whirlpool-Wassers.
- Der Whirlpool enthält einen UVC-Strahler. Es ist Benutzern strengstens untersagt, den UVC-Strahler auszutauschen. Um den UVC-Strahler zu ersetzen oder zu reparieren, wenden Sie sich an einen professionellen Betreiber. Eine unsachgemäße Verwendung des Gerätes oder eine Beschädigung des Gehäuses kann zum Austritt gefährlicher UVC-Strahlung führen. UVC-Strahlung kann selbst in kleinen Dosen Augen und Haut schädigen.
- **WARNUNG: Verwenden Sie den UVC-Strahler nicht, wenn er aus dem Gerätgehäuse entfernt ist oder wenn das Gerät offensichtlich beschädigt ist.**
- Ziehen Sie Sachverständige oder örtliche Behörden hinzu, um lokale oder nationale Gesetze/Vorschriften in Bezug auf kindersichere Zäune, Sicherheitsbarrieren, Beleuchtungen und sonstige Sicherheitsanforderungen anzuwenden.

## VORSICHT

- Fügen Sie Chemikalien stets dem Wasser hinzu und niemals Wasser zu den Chemikalien. Die Zugabe von Wasser zu Chemikalien kann starke Dämpfe oder heftige Reaktionen und gefährliche Chemikalienspritzer verursachen.
- Entsorgen Sie bereits gebrauchtes Wasser umgehend oder verwenden Sie Wasserchemikalien zur Reinigung.
- Normalerweise wird empfohlen, einen Whirlpool alle 3–5 Tage zu entleeren und mit sauberem Wasser aufzufüllen.
- Verwenden Sie das Chemikalien-Set zur Desinfektion gemäß den Anweisungen des Herstellers.
- Belassen oder betreiben Sie den Whirlpool nie bei einer Außentemperatur von unter 4 °C (39 °F), wenn die Heizung ausgeschaltet ist.
- Betreten und verlassen Sie den Whirlpool oder Spa immer langsam und vorsichtig. Seien Sie besonders vorsichtig, wenn der Boden nass ist.
- Um Schäden an der Pumpe zu vermeiden, darf der Whirlpool oder Hottub nie eingeschaltet werden, wenn er nicht bis zur Mindestfüllhöhe befüllt ist.
- Der Whirlpool oder Hottub darf nur an einem ordnungsgemäß vorbereiteten Ort aufgestellt werden, der die Anforderungen an die Bodenbelastung erfüllt.
- Lassen Sie den Whirlpool nicht über einen längeren Zeitraum leer stehen. Entleeren Sie den Pool vollständig, wenn er über einen längeren Zeitraum nicht benutzt wird. Setzen Sie den Whirlpool keinem direkten Sonnenlicht aus.
- Prüfen Sie den Whirlpool regelmäßig vor jedem Gebrauch. Wenn er nicht in Gebrauch ist, räumen Sie ihn sofort weg oder bewahren Sie ihn in einem geschlossenen Raum auf.
- Öffnen Sie den oberen Deckel des Whirlpools, wenn die Blasenfunktion eingeschaltet ist.
- Um eine Gefährdung durch unbeabsichtigtes Zurücksetzen des thermischen Schutzschalters zu vermeiden, darf dieses Gerät nicht über ein externes Schaltgerät, wie z. B. eine Zeitschaltuhr, gespeist oder an einen Stromkreis angeschlossen werden, der regelmäßig vom Versorgungsunternehmen ein- und ausgeschaltet wird.
- Sobald der Whirlpool angeschlossen ist, finden Sie in den entsprechenden Kapiteln Einzelheiten zu Reinigung, regelmäßigen Kontrollen und anderen Wartungsarbeiten.
- Ziehen oder biegen Sie den LED-Strip nicht mit übermäßigem Kraftaufwand, wenn Sie den LED-Strip am Whirlpool montieren oder demontieren. Beachten Sie, dass der Chip des LED-Strips nicht austauschbar oder abnehmbar ist.
- Verwenden Sie nur das MSpa AC-Netzteil, um die LED-Strips anzuschließen.
- Um die Strangulierungsgefahr zu verringern, muss das mit dieser Leuchte verbundene, flexible Kabel wirksam an der Wand befestigt werden, wenn sich das Kabel in Armreichweite befindet.
- Nehmen Sie den LED-Strip nicht in Betrieb oder schließen ihn an die Stromversorgung an, wenn das Paket nicht originalverpackt ist.
- Beachten Sie, dass der lineare LED-Strip nur einzeln bedient werden kann. Schließen Sie den LED-Strip nicht an anderen LED-Strips an.
- Es wird empfohlen, die Originalverpackung oder die Bedienungsanleitung aufzubewahren.
- Das externe, flexible Netzkabel dieser Leuchte kann nicht ausgetauscht werden. Wenn das Kabel beschädigt ist, muss der gesamte LED-Strip entsorgt werden.

## ERLÄUTERUNG WHIRLPOOL-WARNZEICHEN



Aufsicht durch Erwachsene



Benutzerhandbuch lesen

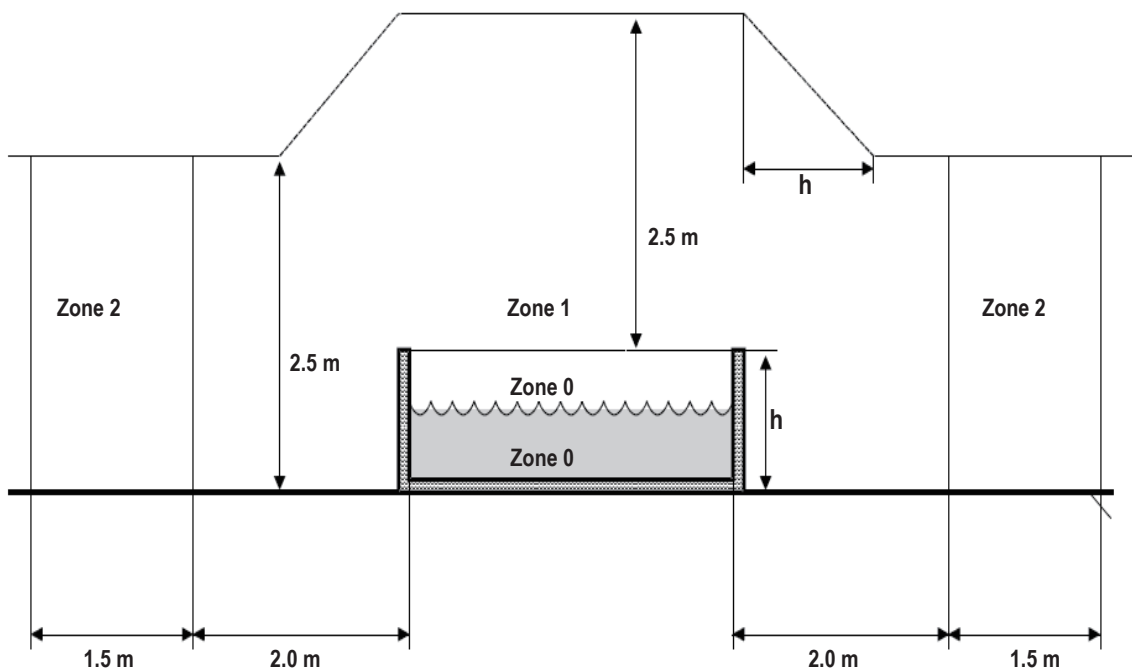


Springen verboten



Finger nicht in die Massagedüse stecken

**Warnung:** Die Wasserschutzstufen des Geräts variieren in den verschiedenen Bereichen des Produkts, wie in der folgenden Abbildung dargestellt. **(Die Installationsvorschriften entsprechen der Norm IEC 60364-7-702.)**



**ANMERKUNG –** Die Maße der gemessenen Zone sind durch Wände und feste Trennwände begrenzt.

Zone	Beschreibung der Zonen
Zone 0	Zone 0 ist das innere Becken einschließlich eventueller Aussparungen in den Wänden oder im Boden.
Zone 1	Zone 1 ist begrenzt durch <ul style="list-style-type: none"> <li>• Zone 0</li> <li>• Eine vertikale Ebene, die 2 m vom Beckenrand entfernt ist.</li> <li>• Den Boden oder die Fläche, die voraussichtlich von den Benutzern eingenommen wird.</li> <li>• Die horizontale Ebene, die 2,5 m über dem Boden oder der Oberfläche liegt.</li> </ul>
Zone 2	Zone 2 ist begrenzt durch <ul style="list-style-type: none"> <li>• Eine vertikale Ebene außerhalb von Zone 1 und eine parallele Ebene, die 1,5 m von Zone 1 entfernt ist.</li> <li>• Den Boden oder die Fläche, die von den Benutzern eingenommen werden soll.</li> </ul>



# SPECIFICATIONS

Modell-Nr./ Bezeichnung	Form	Sitzplatzkapazität	Fassungsvermögen	Maße außen	Maße innen	Höhe	Gewicht	Temperaturanstiegsrate
F-OS063W OSLO	Quadratisch	6	850 L (224 Gal.)	1.6 m (63") x 1.6 m (63")	1.4 m (55") x 1.4 m (55")	0.65m (26")	109.6 kg (241.6 lbs)	1.6-2.2 °C/h
<b>Steuerungssystem &amp; Nennleistung</b>	<b>Strahlpumpe</b>	<b>Heizung</b>	<b>Massage-Luftgebläse</b>	<b>Filterpumpe</b>	<b>Integrierter Ozongenerator</b>	<b>UVC-Strahlungsfluss</b>	<b>Obere Abdeckung</b>	<b>Gehäusematerial</b>
220-240 V AC 50Hz 2300W	1100W	2200W	Stufe 1: 300W Stufe 2: 500W Stufe 3: 720W	1800L/hr	5.5W, 30-50mg/h	2000uW	Rhino-Tech™ verstärktes PVC	Holz-Kunststoff
<b>Artikel</b>	<b>Modell</b>	<b>Stromversorgung</b>	<b>Länge (m)</b>	<b>LED-Chips (Stk.)</b>	<b>Beleuchtungsmodus</b>			
LED - 6DC12R - OS	LED-Strip für 6 Personen, quadratischer Whirlpool	12 V DC, 22 W	5.2	171	21 Dynamische Modi, 20 statische Farben			



## TEILEÜBERPRÜFUNG

Bitte überprüfen Sie das Gerät vor dem Gebrauch.

Informieren Sie den Kundendienst über alle beschädigten oder fehlenden Teile zum Zeitpunkt des Kaufs.

<b>1</b>  1 x Offenes Panel	<b>2</b>  3 x Holz-Kunststoffplatte; eine mit Mspa-Logo	<b>3</b>  Whirlpool-Auskleidung mit LED-Strip	<b>4</b>  4 x Eckbalken	<b>5</b>  4 x Obere Zierleiste		
<b>6</b>  4 x Untere Dichtung	<b>7</b>  Whirlpool-Abdeckung mit Schnalle	<b>8</b>  Schaumstoffmatte Faltbare	<b>9</b>  Aufblasbare Thermoabdeckung	<b>10</b>  Wasserstrahl-Steuerkasten		
<b>11</b>  Fernbedienung für LED-Strip	<b>12</b>  4 x Verbindung obere Zierleiste	<b>13</b>  4 x Weiches Eckpolster	<b>14</b>  4 x Verbindung	<b>15</b>  4 x Nacken hörnchen	<b>16</b>  Benutzer handbuch	<b>17</b>  Reparatur-Set
<b>18</b>  2 x Filterkartusche + 1 x Filterkartuschenboden	<b>19</b>  Gartenschlauchadapter	<b>20</b>  Luft- und Wasserein-/auslasskappe	<b>21</b>  Schraubenschlüssel	<b>22</b>  Chemikalien dosierer für 2,5-cm	<b>23</b>  Aufblaspumpe und -adapter für Bladder	<b>24</b>  4 x Schraube + L-Innensechschlüssel

### HINWEIS:

Die Zeichnungen dienen nur als Referenz. Die tatsächlichen Produkte können variieren. Nicht maßstabsgetreu.

# ERSTBENUTZUNG UND VORBEREITUNG DER INSTALLATION

## Standortvorbereitung und Anforderungen

- Der Whirlpool kann von 2 Personen in etwa 15 Minuten im Innen- oder Außenbereich installiert werden. Nur für den Haushaltsgebrauch.
- Der Whirlpool muss auf einer ebenen, glatten und tragenden Fläche aufgestellt werden, welche die maximale Last des gefüllten Whirlpools mit der aufgeführten maximalen Personenanzahl tragen kann. Wenden Sie sich zur Überprüfung der Anforderung an einen qualifizierten Auftragnehmer oder Bauingenieur.
- Stellen Sie sicher, dass der Bereich unter oder um den Whirlpool herum frei von scharfen Gegenständen ist. Ungleichmäßige oder unebene Oberflächen können den Whirlpool beschädigen und Ihre Garantie ungültig machen. Sorgen Sie für eine ebene Oberfläche, bevor Sie den Whirlpool mit Wasser füllen.
- Sorgen Sie für ein adäquates Entwässerungssystem um den Whirlpool herum, um überlaufendes Wasser und Spritzer abzuleiten.
- Stellen Sie eine zweckmäßige Wasserversorgung für die Befüllung des Whirlpools bereit, die alle lokalen Wasservorschriften erfüllt, und deren Parameter entsprechend den Anforderungen der Wasseraufbereitung angepasst werden können. Stellen Sie sicher, dass um den Whirlpool herum genügend Freiraum für eine vollständige Nutzung der Wartungs- und/oder Instandhaltungsgeräte vorhanden ist.
- Denken Sie bei der Positionierung des Whirlpools daran, die Lärmbelastigung so weit wie möglich zu minimieren.

## Zusätzliche Anforderungen für die Installation in Innenräumen

- Feuchtigkeit ist eine natürliche Begleiterscheinung bei der Installation von Whirlpools in Innenräumen. Der Raum muss ordnungsgemäß belüftet werden, damit die Feuchtigkeit entweichen kann. Installieren Sie ein Belüftungssystem, um übermäßige Kondensationsfeuchtigkeit im Raum zu verhindern.
- Stellen Sie sicher, dass der Whirlpool aus dem Gebäude entfernt werden kann, ohne einen Teil der Gebäudestruktur zu zerstören.
- Berücksichtigen Sie alle örtlichen Vorschriften zu diesen Themen.
- Achten Sie darauf, den Whirlpool nicht auf Teppichböden bzw. sonstigen Bodenmaterialien zu installieren, die Feuchtigkeit und Bakterienbildung fördern bzw. begünstigen könnten oder die von den im Whirlpool verwendeten Wasseraufbereitungskemikalien beeinträchtigt werden könnten.

## Zusätzliche Anforderungen für die Installation im Freien

- Stellen Sie den Whirlpool nicht auf einer Grasfläche oder einem schmutzigem Boden auf, da dies die Menge des in den Whirlpool eindringenden Schmutzes erhöht und den Boden beschädigt. Um eine längere Lebensdauer zu gewährleisten, lassen Sie den Whirlpool nicht dem direkten Sonnenlicht ausgesetzt.
- Vermeiden Sie eine Installation oder Nutzung des Whirlpools im Freien bei einer Temperatur von unter 4 °C (39 °F).
- Benutzen Sie den Whirlpool nicht, wenn das Wasser im Zirkulationssystem, in der Pumpe oder in den Rohrleitungen gefroren ist. Legen Sie eine Wärmeschutzmatte zwischen die Unterseite des Whirlpools und dem Boden, um Wärmeverluste über die Unterseite des Whirlpools zu verhindern und eine bessere Wärmerückhaltung zu gewährleisten.
- Berücksichtigen Sie die lokalen Umgebungsbedingungen, wie Grundwasser und Frostgefahr.

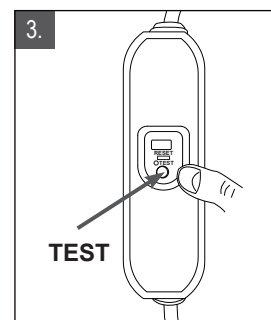
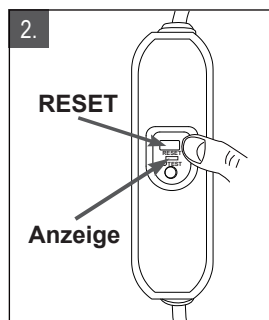
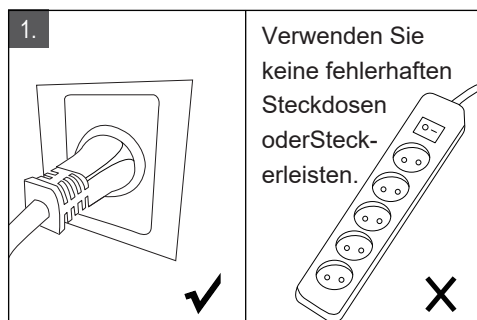
## PRCD-Prüfung

### ⚠️ WARNUNG

Gefahr eines Stromschlags: Dieses Produkt wird mit einer PRCD (einem Fehlerstromschutzschalter) geliefert, die sich am Ende des Netzkabels befindet. Die PRCD muss vor jeder Verwendung getestet werden. Verwenden Sie den Whirlpool nicht, wenn die PRCD nicht ordnungsgemäß funktioniert.

Ziehen Sie das Netzkabel aus der Steckdose, bis der Fehler identifiziert und behoben ist. Wenden Sie sich an einen lizenzierten Elektriker, um den Fehler zu beheben. Die PRCD enthält keine wartungsfähigen Teile. Mit der Öffnung der PRCD erlischt die Garantie.

1. Schließen Sie das Gerät an das Stromnetz an.
2. Drücken Sie die RESET-Taste auf der PRCD. Das Anzeigesymbol leuchtet rot auf.
3. Drücken Sie die TEST-Taste auf der PRCD. Das rote Licht, das auf der Anzeige dargestellt wird, sollte erlöschen. Andernfalls meldet die PRCD einen Fehler. Verwenden Sie den Whirlpool nicht, wenn ein Defekt vorliegt. Wenden Sie sich an einen qualifizierten Elektriker, um den Fehler zu beheben.
4. Drücken Sie die RESET-Taste auf der PRCD erneut. Die Anzeige sollte nun rot aufleuchten. Wenn dies der Fall ist, ist der Whirlpool einsatzbereit.

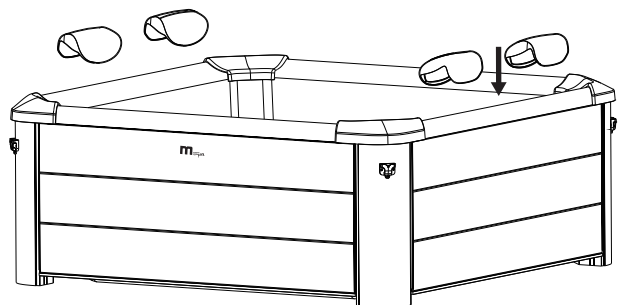
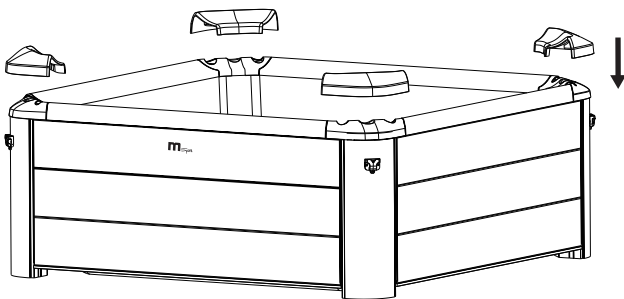
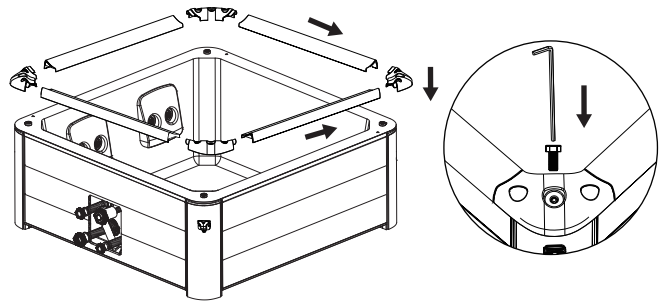
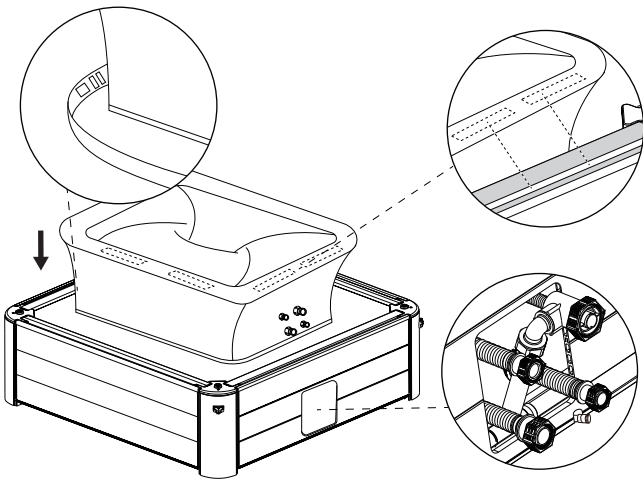
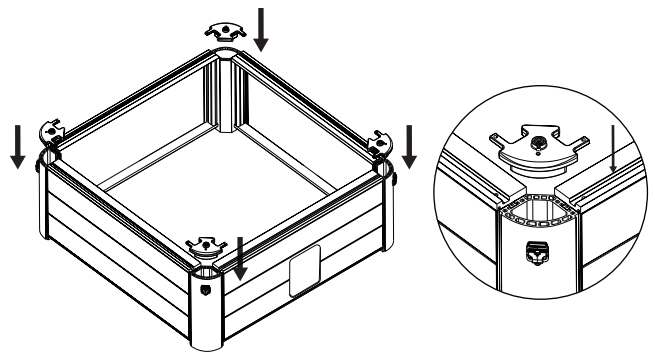
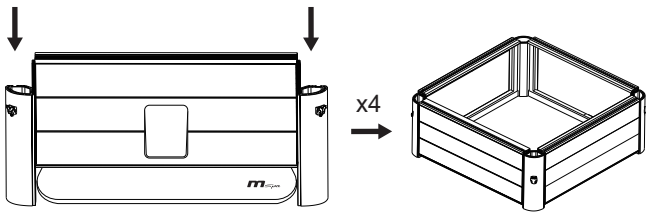
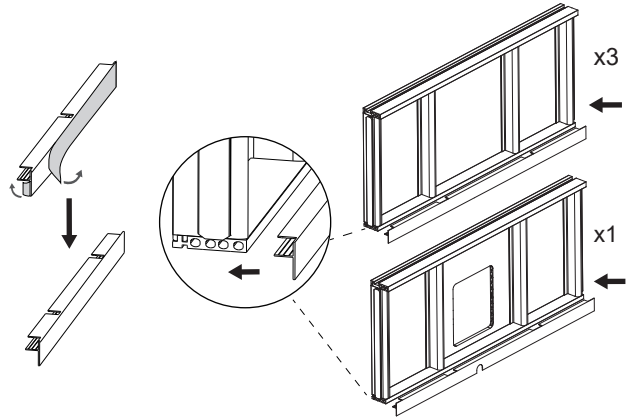
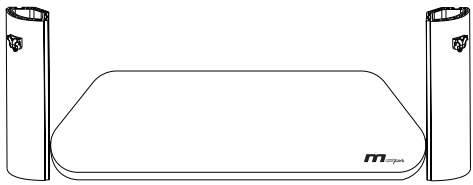


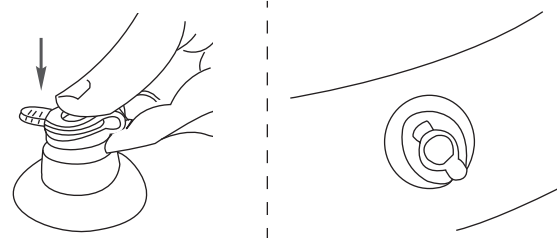
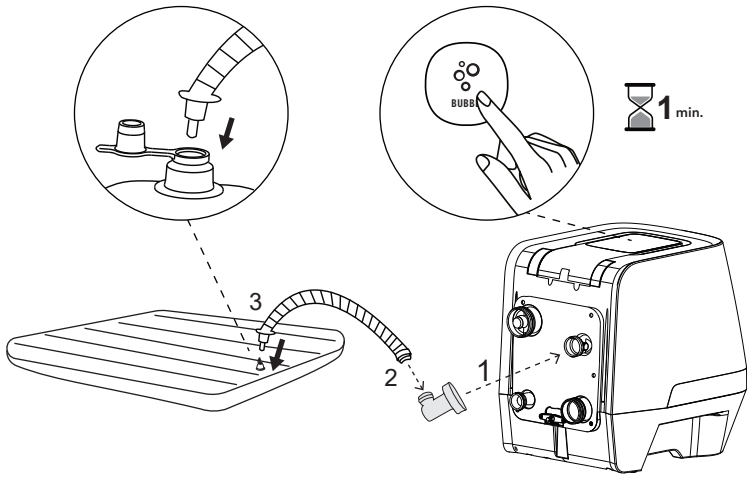
## Anschluss der Whirlpool-Steuereinheit an externe Äquipotential-Verbindungsleiter

Ein qualifizierter Elektriker sollte die Whirlpool-Steuereinheit unter Verwendung eines massiven Kupferleiters von mindestens 1,5 mm<sup>2</sup> an den Äquipotentialanschluss des Haushalts anschließen.

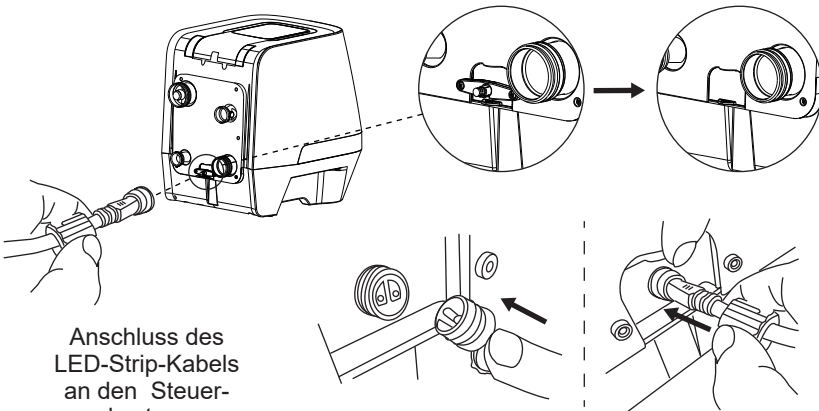
**HINWEIS:** Bringen Sie das gesamte Paket an den ausgewählten Standort. Ziehen Sie die Whirlpool-Wanne nicht über den Boden, da dies zu Schäden und Leckagen führen kann. Öffnen Sie den Karton vorsichtig, da dieser zur Lagerung des Whirlpools über lange Zeiträume oder bei Nichtbenutzung verwendet werden kann.

# AUFSTELLUNG DES WHIRLPOOLS

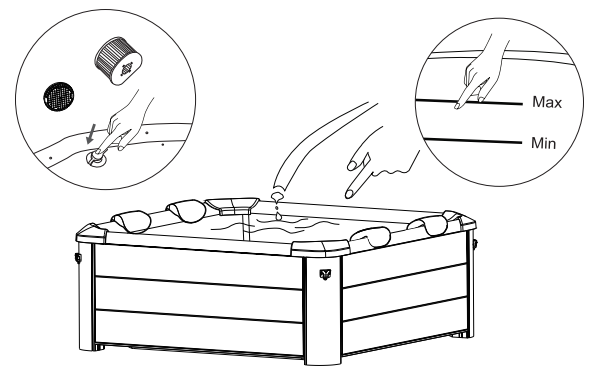
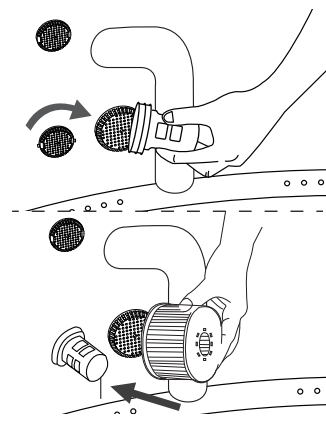
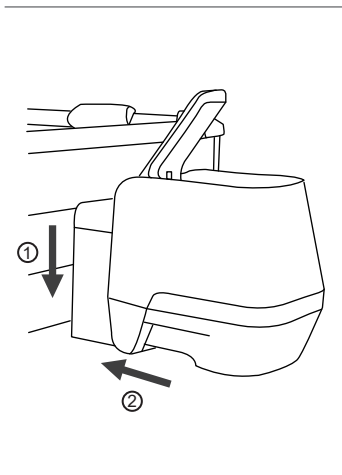
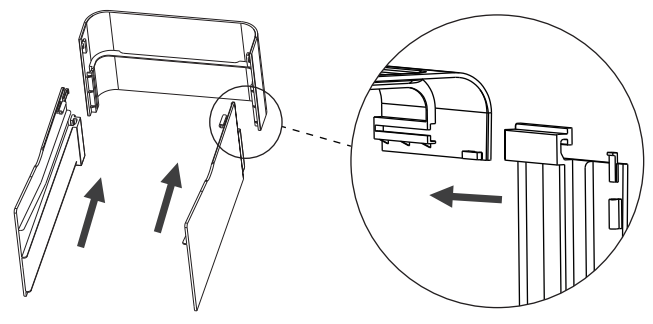
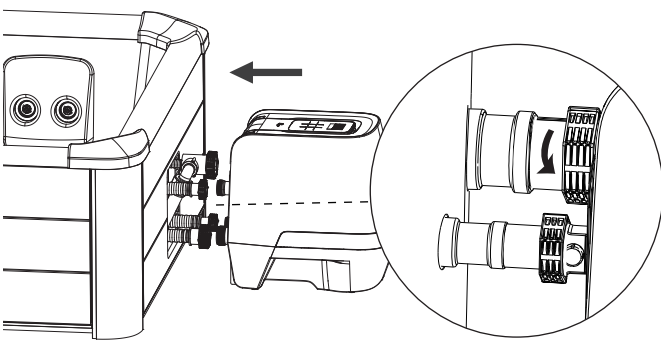
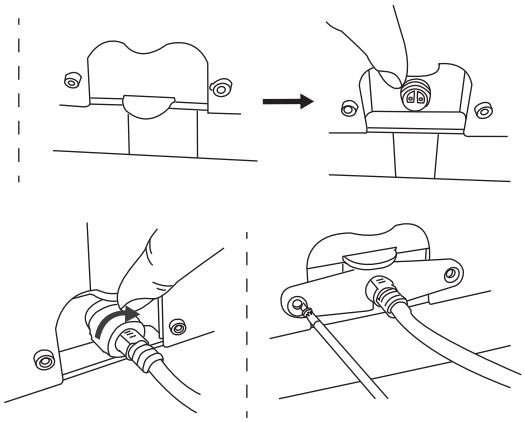




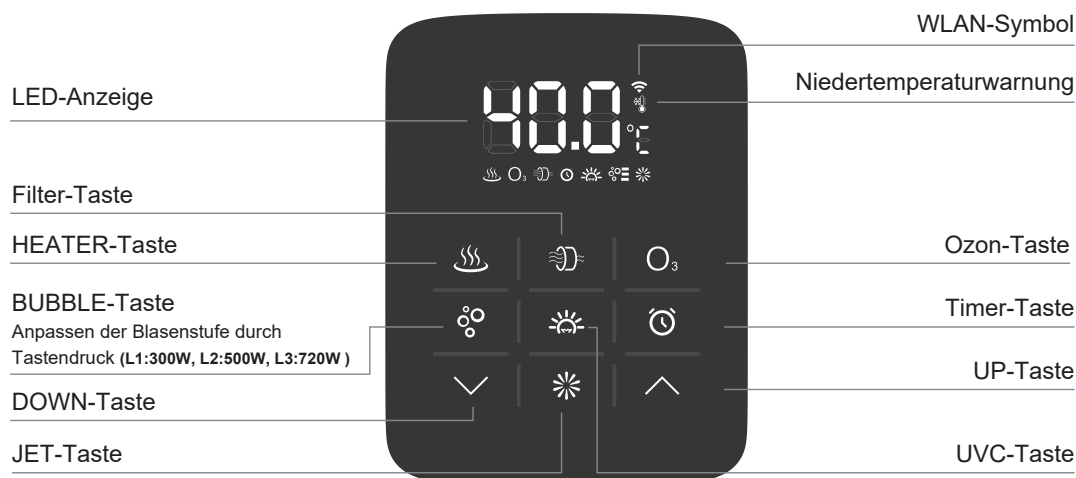
Die BUBBLE-Taste für mehr als 3 Sek. gedrückt halten, um das Aufblasen zu stoppen.



Anschluss des LED-Strip-Kabels an den Steuerkasten.



# BEDIENUNG DES BEDIENFELDS



## LED-Display


Drücken Sie nach dem Einschalten die RESET-Taste auf der PRCD. Das LED-Display zeigt automatisch die aktuelle Wassertemperatur an.

**HINWEIS:** Die tatsächliche Wassertemperatur kann von der auf dem LED-Bildschirm angezeigten Temperatur um bis zu ca. 1 °C abweichen.

**Energiesparmodus:** Ihr Whirlpool schaltet nach 30 Minuten Inaktivität in den Energiesparmodus. In diesem Modus wird die Bildschirmhelligkeit verringert und unspezifische Tastenberührungen werden nicht ausgeführt. Drücken Sie eine beliebige Taste (außer AUF/AB-Taste), um den Energiesparmodus zu beenden.




## WASSERSTRAHLFUNKTION

Drücken Sie  die JET -Taste, um die Wasserstrahlmassagefunktion ein-/auszuschalten. Die JET-Taste leuchtet auf, wenn sie aktiviert ist.


**HINWEIS:** Die BUBBLE-Taste kann nur auf L1 oder L2 eingestellt werden, falls das WASSERSTRAHL-System aktiviert ist.

**HINWEIS:** Das WASSERSTRAHL-System schaltet sich nach einer Stunde automatisch ab.

**HINWEIS:** Die JET-Funktion kann nicht aktiviert werden, wenn die Wasser- oder Umgebungstemperatur unter 1°C / 33.8°F liegt.

**HINWEIS:** Die WASSERSTRAHL-Funktion kann nicht aktiviert werden, wenn der Niedertemperaturschutz  eingeschaltet ist.

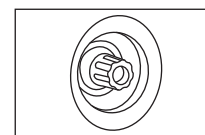
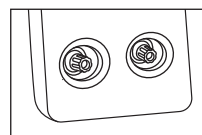
**HINWEIS:** Der Niedertemperaturschutz wird automatisch aufgehoben, wenn die Wassertemperatur über 20 °C / 68 °F liegt.

**HINWEIS:** Der Niedertemperaturschutz kann manuell durch langes Drücken der JET-Taste  aufgehoben werden.

## Wasserstrahlbetrieb




Stellen Sie die Wasserstrahldüsen ein, um die Richtung des Wasserstrahls zu ändern.

Drehen Sie an den Wasserstrahldüsen, um die Stärke des Wasserstrahls zu ändern.



20-40°C

## HEIZSYSTEM

1. Drücken Sie  HEATER Taste, um das Heizsystem ein-/auszuschalten. Sowohl die HEATER- als auch die FILTER- Taste leuchten auf, sobald die Heizfunktion aktiviert ist.
2. Durch Drücken der  UP oder  DOWN Taste können Sie das Wasser auf die gewünschte Temperatur einstellen (von 20 °C bis 40 °C). Die neue gewünschte Temperatureinstellung bleibt zur Bestätigung des neuen Wertes 3 Sekunden lang auf dem LED-Display stehen.

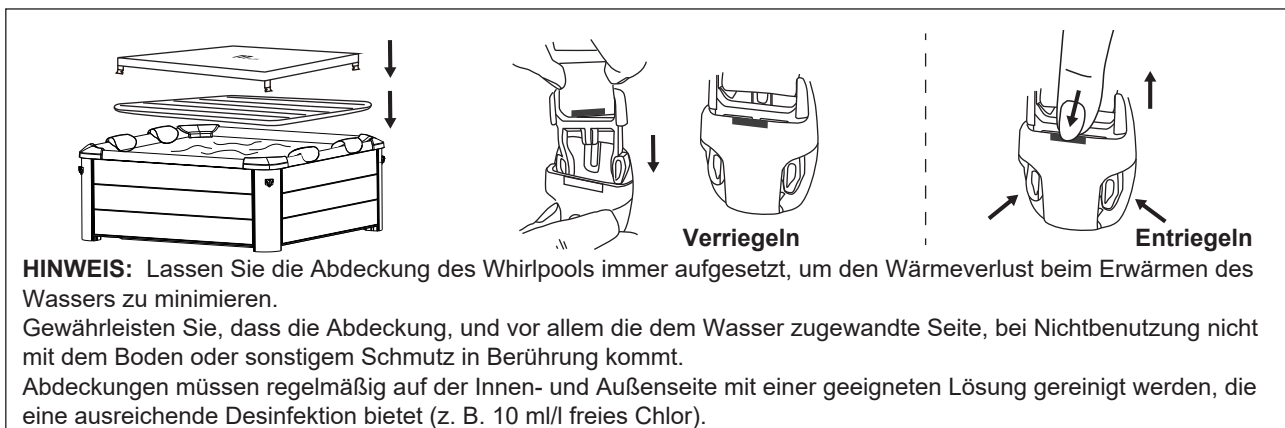
**HINWEIS:** Die Standard-Temperatur ist 40 °C.

**HINWEIS:** Wenn das Heizsystem eingeschaltet wird, startet das Filtersystem automatisch.

**HINWEIS:** Wenn die Wassertemperatur unter 1 °C (33,8 °F) liegt, wird das Vereisungsschutzsystem automatisch aktiviert, um das Wasser auf 3 °C (37,4 °F) zu erhitzen.

**WICHTIG:** Die folgenden Bedingungen führen zu einer langsamen Wassererwärmung:

- Eine Umgebungstemperatur von weniger als 10 °C (50 °F).
- Eine Windgeschwindigkeit im Freien von über 3,5–5,4 m/s (8–12 mph).
- Wenn die Bubble-Funktion während des Heizvorgangs aktiviert ist.
- Wenn die Abdeckung des Whirlpools bei eingeschalteter Heizung nicht richtig aufgesetzt ist.



Ihr Whirlpool ist mit einem 2200 W PTC-Heizsystem ausgestattet. Um ein optimales Whirlpool-Erlebnis zu gewährleisten, wird die Leistung je nach aktivierter Funktion intelligent zugewiesen.



### FILTERUNG

Drücken Sie die  **FILTER** Taste, um die Funktion ein-/auszuschalten. Die Taste leuchtet auf, sobald eine Funktion aktiviert ist.

**HINWEIS:** Das Filtersystem startet automatisch, wenn die Heizung oder die OZONE- bzw. die UVC-Desinfektion aktiviert werden.



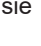

**HINWEIS:** Nach dem Abschalten des Heizsystems stoppt das Filtersystem nach 30 Sekunden automatisch.

**Reinigungserinnerung der Filterkartusche:** Wenn das FILTER-Symbol ununterbrochen blinkt, muss die Filterkartusche gereinigt oder ausgetauscht werden. Sobald dies geschehen ist, drücken Sie 3 Sekunden lang die FILTER-Taste, um die Erinnerung zurückzusetzen.

**Auto-Filtration:** Wenn sich der Whirlpool im Standby-Modus befindet, wird das Filtersystem automatisch alle 8 Stunden für 60 Minuten eingeschaltet. Wenn die Umgebungstemperatur unter 1°C / 33,8°F liegt, läuft der Filter automatisch, um ein Einfrieren des Schlauches zu verhindern.



### SPRUDELMASSAGE

Drücken Sie die  **BUBBLE** Taste, um die Funktion einzuschalten. Halten Sie die BUBBLE-Taste für 3 Sekunden gedrückt, um die Funktion auszuschalten. Die BUBBLE-Taste leuchtet auf, sobald die Funktion aktiviert ist. Die Sprudelmassage kann auf drei verschiedene Stufen eingestellt werden. Die Standardeinstellung ist die Stufe 3  (720W). Drücken Sie die BUBBLE-Taste, um die Einstellung auf Stufe 1  (300W) umzuschalten. Drücken Sie sie erneut, um auf Stufe 2  (500W) zu wechseln.



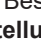
**WICHTIG:** Schalten Sie das Massagesystem nicht ein, wenn die Abdeckung angebracht ist. Im Inneren des Whirlpools kann sich Luft ansammeln, was zu irreparablen Schäden und Personenverletzungen führen kann.

**HINWEIS:** Die Sprudelmassagefunktion schaltet sich aus Sicherheitsgründen nach jeweils 20 Minuten Betrieb automatisch ab. Nach 10 Minuten kann sie durch erneutes Drücken der BUBBLE-Taste wieder aktiviert werden.



### HEIZTIMER

Zum Einstellen der Stundenanzahl AB DEM ZEITPUNKT, an dem das Heizgerät aktiviert wird:

1. Drücken Sie die  **TIMER** Taste, um in den Voreinstellungsmodus zu gelangen. Die Taste leuchtet auf.
2. Durch Drücken der  **UP** oder  **DOWN** Taste beginnt das LED-Licht zu blinken. Während es blinkt, können Sie die Stundenanzahl bis zur Aktivierung des Heizgeräts einstellen (von 1 bis 99 Stunden). Die gewünschte Timer-Einstellung bleibt zur Bestätigung des Wertes 3 Sekunden lang auf dem LED-Display stehen.

1-99H


**Änderung der Timer-Einstellung:** Drücken Sie die Timer-Taste erneut und verwenden Sie die UP- oder DOWN-Taste zur Einstellung.

**Aufhebung der Einstellung:** Drücken Sie die TIMER-Taste 3 Sekunden lang.

**HINWEIS:** Durch Aktivieren des Heizsystems oder Neustart des Whirlpools wird die Timer-Einstellung aufgehoben.




### UVC-DESINFEKTION

Drücken Sie die  **UVC** Taste, um das UVC-Desinfektionssystem ein-/auszuschalten. Wenn die Taste aufleuchtet, ist das UVC-Desinfektionssystem aktiviert.

**HINWEIS:** Der UVC-Strahler ist im Inneren des Steuerkastens verbaut. Daher kann die Funktion jederzeit eingeschaltet werden, auch wenn sich Personen im Whirlpool befinden.



### OZON


Drücken Sie die  **OZONE** Taste, um die Funktion ein-/auszuschalten. Die Taste leuchtet auf, sobald die Funktion aktiviert ist. Der Ozonator schaltet sich nach 2 Stunden Betriebsdauer automatisch ab.

**HINWEIS:** Zu Ihrer eigenen Sicherheit sollten Sie nicht im Whirlpool baden, wenn die OZONE-Funktion eingeschaltet ist. Die Ozon-Funktion kann nicht eingeschaltet werden, wenn die BUBBLE-Funktion eingeschaltet ist. Wir empfehlen, die Funktion nach der Nutzung des Whirlpools einzuschalten.







### Umschalttaste Celsius/Fahrenheit

Die Temperatur kann entweder in Celsius oder Fahrenheit angezeigt werden. Drücken Sie die  **DOWN**-Taste 3 Sekunden lang, umzwischen den beiden Optionen zu wechseln.



### SICHERHEITSSPERRE

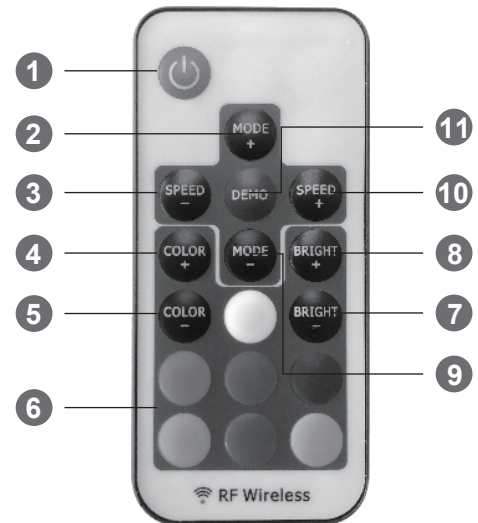


Drücken Sie für 3 Sekunden gleichzeitig auf die  **UP**- und  **DOWN**-Tasten, um die Fernbedienung zu sperren/entsperren. Im Modus Sicherheitssperre wird die Fernbedienung deaktiviert und der Whirlpool behält alle vorherigen Einstellungen bei.

## BEDIENUNG DES LED-STRIPS

### SPEZIFIKATIONEN

Dynamischer Modus	21 Modi
Statische Farben	20 Farben
PWM-Grad	256 Stufen
Helligkeitsgrad	5 Stufen
Geschwindigkeit	10 Stufen
Demo-Modus	Ja
Farbdirektwahl	Ja
Ausgabefarbe umschaltbar	Ja, 6 Optionen
Betriebsspannung	24 V DC
Ausgangsstrom	3 x 4 A Leistungsspitzen, 3 x 2 A Konstantstrom
Fernbedienungs-Frequenz	433,92 MHz
Max. Reichweite der Fernbedienung	>15 m auf Freifläche



### BEDIENUNG

#### Bedienhinweise für Fernbedienung

Bitte ziehen Sie vor der Verwendung das Batterie-Isolierband heraus. Legen Sie Knopfzellen ein (nicht im Lieferumfang enthalten).

#### Koppeln einer neuen Fernbedienung

Der LED-Strip und die Fernbedienung des gleichen Sets wurden bereits gekoppelt. Um den LED-Strip mit einer zusätzlichen oder neuen Fernbedienung zu koppeln, befolgen Sie bitte die folgenden Schritte:

1. Ziehen Sie den LED-Strip ab. Verbinden Sie ihn nach 5 Sekunden erneut.
2. Gleichzeitig „SPEED+“ und „SPEED-“ für 5 Sekunden gedrückt halten. Die Kopplung ist abgeschlossen.

#### Ändern der Farbsequenz

Falls die Taste für die Farbdirektwahl nicht mit der ausgegebenen LED-Lichtfarbe übereinstimmt, führen Sie die folgenden Schritte aus, um die Farbsequenzen anzupassen:

1. Ziehen Sie den LED-Strip ab. Verbinden Sie ihn nach 5 Sekunden erneut.
2. Gleichzeitig ROT und BLAU für 5 Sekunden gedrückt halten. Bei diesem Vorgang wechselt die Ausgangslichtsequenz zwischen 6 möglichen Kombinationen.

### FUNKTIONALITÄT

#### 1. Einschalten / Standby

Drücken Sie die Taste, um den LED-Strip einzuschalten oder in den Standby-Modus zu wechseln. Beim Einschalten, schaltet die Lichter des LED-Strips automatisch ein und es wird der vorherige Betriebszustand aufgerufen.

#### 2/9. Anpassung des Dynamischen Modus

Wechseln Sie vom statischen Farbmodus in den dynamischen Modus oder schalten Sie zwischen dynamischen Modi um.

#### 3/10. Geschwindigkeitsanpassung für dynamischen Modus

Passen Sie die Darstellungsgeschwindigkeit für den dynamischen Modus an. Das Licht wechselt beim Drücken in den dynamischen Modus, falls Sie sich im statischen Farbmodus befinden.

#### 4/5. Anpassung des statischen Farbmodus

Wechseln Sie aus dem dynamischen in den statischen Farbmodus, oder schalten Sie zwischen statischen Farben um.

#### 6. Direkte Farbwahl

Wählen Sie statische Farben direkt aus. Beim Drücken der spezifischen Farbtasten wird der LED-Streifen die statische Farbe anzeigen. Die Farben der Farbdirektwahl sind auch unter der Bedienfunktion „COLOR+“ und „COLOR-“ verfügbar.

#### 7/8. Helligkeitsanpassung

Passen Sie die statische Farbhelligkeit an. Das Licht wechselt beim Drücken in den statischen Farbmodus, falls Sie sich im dynamischen Modus befinden.

#### 11. Demo-Modus

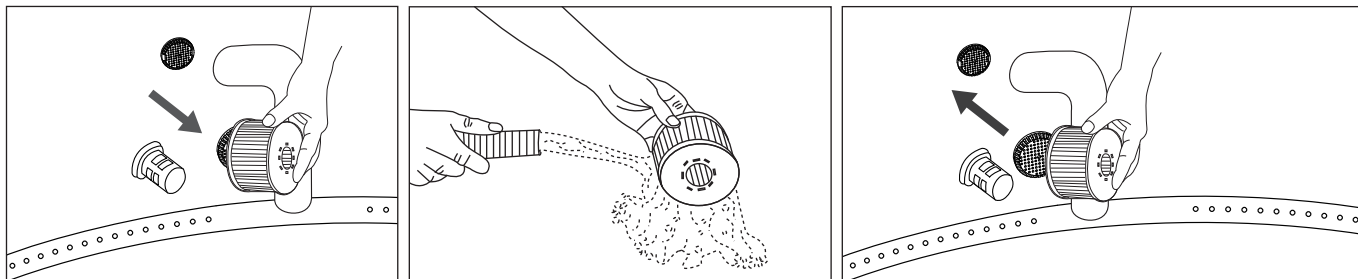
Drücken Sie diese Taste und wechseln Sie in den Demo-Modus. Im Demo-Modus werden 17 dynamische Modi in Reihenfolge wiedergegeben, jeder Modus wiederholt sich 3-mal.

# WARTUNG UND EINSATZ VON WASSER-CHEMIKALIEN

**VORSICHT: STELLEN SIE IMMER SICHER, DASS DER WHIRLPOOL VOR BEGINN DER WARTUNGSARBEITEN VOM STROMNETZ GETRENNT IST, UM VERLETZUNGS- ODER LEBENSGEFAHR ZU VERMEIDEN.**

## WARTUNG VON FILTERKARTUSCHEN

1. Kontrollieren und reinigen Sie die Filterkartusche nach jedem Gebrauch vorsichtig. Befolgen Sie die folgenden Schritte:



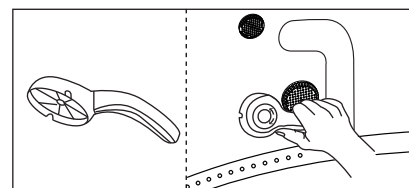
**HINWEIS:** Wechseln Sie die Filterkartusche alle 3–5 Tage, oder wenn die Filterkartusche verschmutzt und verfärbt ist.

**HINWEIS:** Wenn der Whirlpool mit Wasser gefüllt ist, sollte immer eine Filterkartusche auf dem Sockel installiert sein.

**HINWEIS:** Schalten Sie alle Funktionen aus, bevor Sie die Filterkartusche wechseln oder reinigen.

2. Wenn der Ein- oder Auslass des Whirlpools mit Schmutz verstopft ist, schrauben Sie die Kappe mit dem Schraubenschlüssel ab und reinigen Sie sie dann bei Bedarf.

**HINWEIS:** Stellen Sie vor dem Abschrauben des Teils sicher, dass der Whirlpool leer ist. Schrauben Sie es niemals ab, wenn der Whirlpool mit Wasser gefüllt ist!



## WHIRLPOOL-WASSER

1. Wechseln Sie das Whirlpool-Wasser je nach Gebrauch alle 3–5 Tage. Bei sichtbarem Schmutz im Wasser oder bei trübem Wasser, das durch geeignete Chemikalien für das Wasser nicht aufgeklärt werden kann, wechseln Sie das Wasser und reinigen Sie den Whirlpool. Anweisungen dazu finden Sie im Abschnitt „Entleerung, Reinigung und Lagerung“.
2. Wir empfehlen, vor der Benutzung des Whirlpools zu duschen, da Kosmetikprodukte, Lotions und andere Rückstände auf der Haut die Wasserqualität schnell verschlechtern können.
3. Wenn der Whirlpool nicht in Gebrauch ist, decken Sie ihn mit der Whirlpool-Abdeckung mit Schnalle ab, um eine Verschmutzung zu vermeiden.
4. Verwenden Sie für den Whirlpool geeignete Chemikalien, um die richtigen Wasserbedingungen aufrechtzuerhalten. Schäden am Whirlpool, die durch den Missbrauch von Chemikalien oder die falsche Handhabung des Whirlpool-Wassers entstehen, sind nicht durch die Garantie abgedeckt. Weitere Informationen über die Verwendung von Chemikalien erhalten Sie bei Ihrem örtlichen Whirlpool- oder Swimmingpool-Händler.

## Wasserdesinfektion

Der Eigentümer des Whirlpools muss das Whirlpool-Wasser regelmäßig überprüfen und bei planmäßiger Wartung (falls erforderlich täglich) desinfiziert halten. Durch die Zugabe von Wasserdesinfektionsmitteln oder anderen Chemikalien werden Bakterien und die Vermehrung von Viren im Whirlpool-Wasser kontrolliert. Die Aufrechterhaltung des richtigen Wassergleichgewichts durch den angemessenen Einsatz von Wasserdesinfektionsmitteln ist der wichtigste Faktor für die Verbesserung der Lebensdauer und des Erscheinungsbildes des Whirlpools und gewährleistet sauberes, gesundes und sicheres Wasser. Die Anwendung der richtigen Technik ist wichtig für die Prüfung und Aufbereitung des Whirlpool-Wassers.

## Wassergleichgewicht

Befolgen Sie die folgenden Anweisungen, um Ihr Whirlpool-Wasser zu pflegen.

PARAMETER	TESTHÄUFIGKEIT	KORREKTES NIVEAU
pH-Wert	Täglich	7,2–7,6 bei Verwendung von Chlor; 7,2–7,8 bei Verwendung von Brom
Freies Chlor	Täglich	3-5 ppm
Bromrückstand	Täglich	2-4 ppm
Gesamt-Alkalinität (TA)	Wöchentlich	80-120 ppm
Gesamthärte (TH)	Wöchentlich	200-500 ppm

## HINWEIS


- Ein niedriger pH-Wert beschädigt den Whirlpool und die Pumpe. Bei Schäden, die durch ein chemisches Ungleichgewicht verursacht werden, erlischt die Garantie.
- Ein hoher pH-Wert (hartes Wasser) führt zu weißen Kolloiden im Inneren der Filterpumpe, die zu Pumpenschäden führen können.

### Wasseraufbereitung:

- Bei einem bestehenden Whirlpool ist empfehlenswert, alle Luftdüsen offen und die Ventile geschlossen zu halten, damit chemisch aufbereitetes Wasser durch alle Rohrleitungen gespült werden kann.
- Befolgen Sie stets die Anweisungen des Chemikalienherstellers sowie die Gesundheits- und Gefahrenhinweise.
- Vermischen Sie niemals Chemikalien miteinander. Geben Sie die Chemikalien separat in das Whirlpool-Wasser. Lassen Sie jede Chemikalie erst gründlich auflösen, bevor sie dem Wasser hinzugefügt wird.
- Bitte beachten Sie, dass Chlor- und Bromprodukte niemals gemischt werden sollten. Dies ist äußerst gefährlich. Wenn Sie in der Regel Produkte auf Chlorbasis verwenden und auf Produkte auf Brombasis oder umgekehrt umsteigen möchten, ist es unbedingt erforderlich, dass Sie zuerst das Whirlpool-Wasser wechseln.
- Fügen Sie keine Chemikalien hinzu, wenn der Whirlpool genutzt wird. Dies kann zu Haut- oder Augenreizungen führen.
- Verwenden Sie nicht zu viele Chemikalien oder konzentriertes Chlor. Dies kann den Whirlpool beschädigen und eine potenzielle Gefahr für Ihre Haut darstellen. Bei unsachgemäßer Verwendung von Chemikalien erlischt die Garantie.

**DOSIERSCHWIMMER**

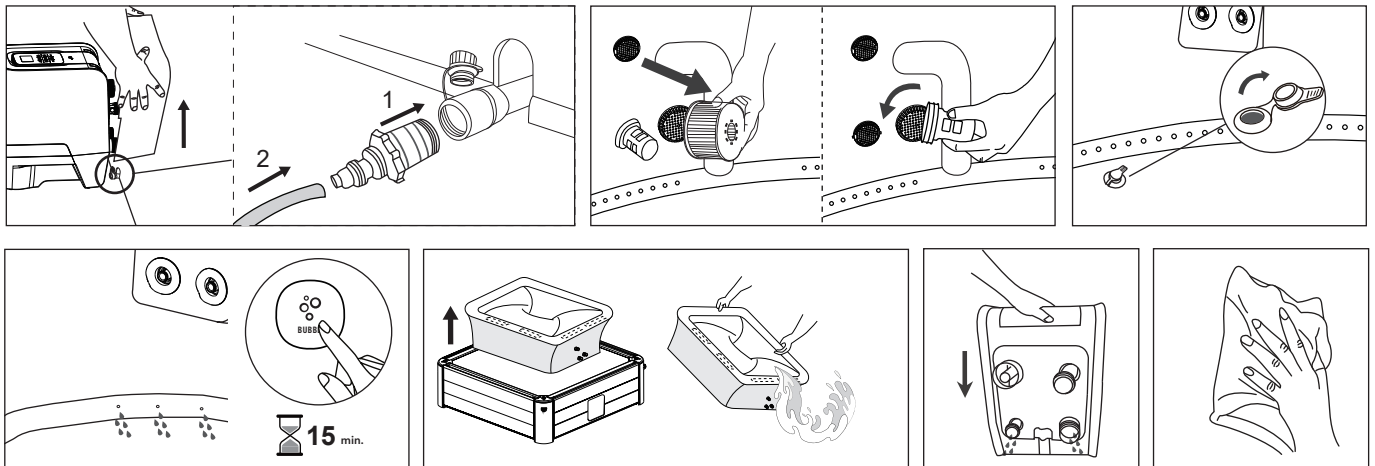
Ihr Whirlpool wird mit einem Standard-Chemikaliendosierer ausgeliefert: Dieser Spender ist nur für 2,5-cm-Tabletten (1 Zoll) geeignet. Füllen Sie keine Flüssigkeit oder Granulat in den Spender.



**HINWEIS:** Entfernen Sie den Chemikaliendosierer aus dem Whirlpool, wenn dieser in Gebrauch ist.

## ENTLEERUNG, REINIGUNG UND LAGERUNG

### Entleerung des Whirlpools



### Reinigung der Whirlpool-Wanne

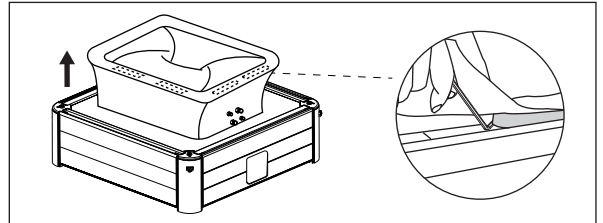
Bei sichtbarem Schmutz im Wasser oder bei trübem Wasser, das durch geeignete Chemikalien für das Wasser nicht aufgeklärt werden kann, wechseln Sie das Wasser und reinigen Sie den Whirlpool. Sehen Sie sich den Abschnitt „Entleerung des Whirlpools“ zur Entleerung des Whirlpools an. Reinigen und/oder ersetzen Sie die leere Filterkartusche, während das Wasser abgelassen ist. Verwenden Sie einen Schwamm und eine milde Seifenlösung, um Schmutz oder Flecken auf der Innenseite der Whirlpool-Wand abzuwischen. Spülen Sie sie vor dem Nachfüllen gründlich mit sauberem Wasser ab.

**WICHTIG:** Verwenden Sie keine Stahlwolle, harte Bürsten oder scheuernde Reinigungsmittel.

## Anweisungen zur Demontage

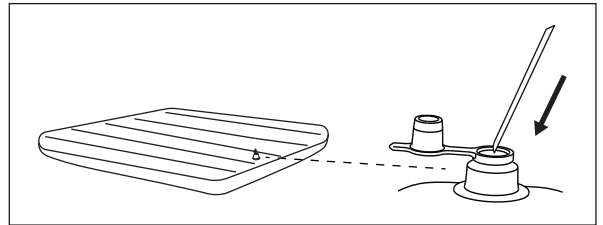
Entfernen Sie alle Teile in umgekehrter Reihenfolge der Montageschritte.

**HINWEIS:** Um die Auskleidung zu entfernen, hebeln Sie den Halteblock mit einem L-Innensechskantschlüssel aus dem Schlitz der Seitenwand. Ziehen Sie nicht direkt an der Auskleidung.



## Luftentleerung des Bladder

1. Öffnen Sie die Ventilkappe, um die Luft aus dem Bladder abzulassen. Zur schnellen Luftentleerung wird der Halm (im Reparatursatz enthalten) in das Ventil eingeführt.
2. Sobald die Luftentleerung abgeschlossen ist, setzen Sie die Kappe wieder auf.



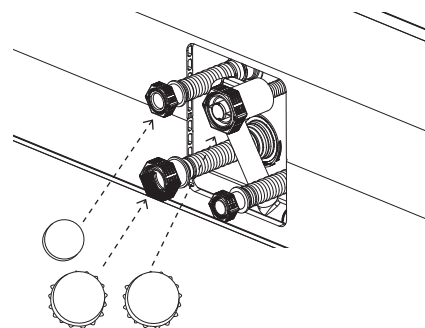
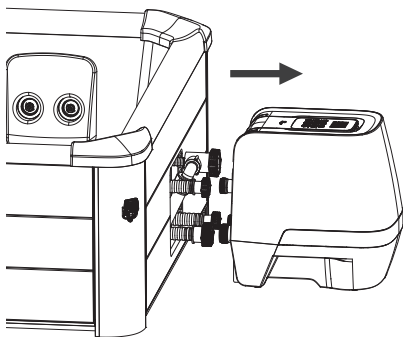
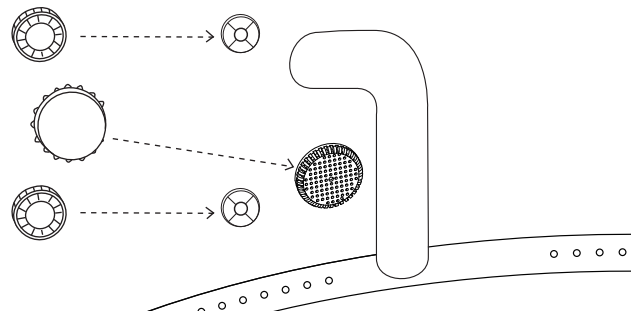
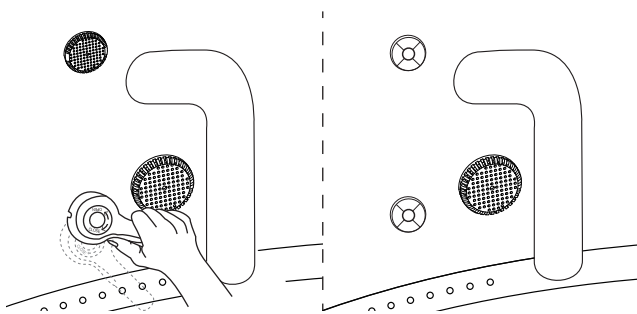
## Reparatur von Whirlpool-Wanne und aufblasbare Bladder

Verwenden Sie den beiliegenden Reparaturflicken, um eine eventuelle Einstichstelle zu reparieren:

1. Reinigen und trocknen Sie den zu reparierenden Bereich gründlich.
2. Tragen Sie den Kleber auf den PVC-Flicken auf und befestigen Sie ihn schnell auf der beschädigten Oberfläche (Klebstoff ist nicht im Lieferumfang enthalten).
3. Glätten Sie die Oberfläche, um alle Luftblasen zu entfernen, und lassen Sie sie 5–10 Minuten trocknen.

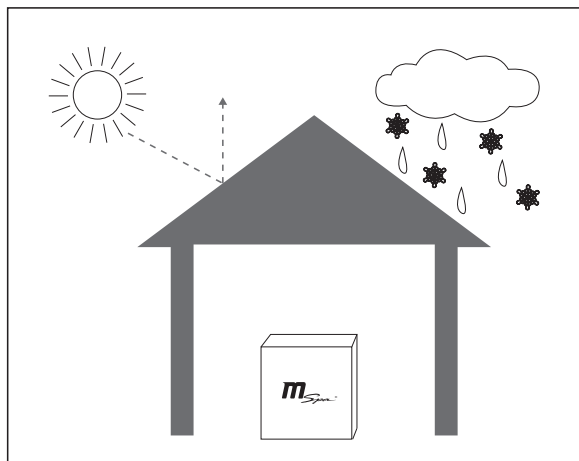
**HINWEIS:** Klebstoff ist nicht im Lieferumfang enthalten.

## Anweisungen zur Lufteinlass- und Wasserein-/auslasskappe



## Lagerung und Vorbereitung für spätere Nutzung

1. Entleeren und reinigen Sie den Whirlpool, indem Sie sich an die Abschnitte „Entleerung“ und „Whirlpool-Reinigung“ halten.
2. Beachten Sie die Anweisungen zur Luftentleerung für die Wanne und den aufblasbaren Bladder.
3. Stellen Sie sicher, dass alle Whirlpool-Komponenten und Zubehörteile vor der Lagerung sauber und trocken sind. Trocknen Sie den Whirlpool vor dem Falten eine Stunde lang bei leichtem Sonnenschein an der Luft.
4. Falten Sie die Whirlpool-Wanne locker und vermeiden Sie den Kontakt mit scharfen Kanten, um eine Beschädigung oder Leckage an der Whirlpool-Auskleidung zu vermeiden.
5. Legen Sie neue zusätzliche Kartuschen bereit für die nächste Verwendung.
6. Lagern Sie den Whirlpool und das Zubehör in einer trockenen, temperierten Umgebung zwischen 0 °C und 40 °C (32–104 °F). Wir empfehlen, den Whirlpool mit Trockenmittel zu lagern.
7. Für die Lagerung wird die Originalverpackung empfohlen.
8. Füllen Sie den Whirlpool nach langer Lagerung mit sauberem Wasser und Wasserdesinfektionsmittel und schalten Sie den FILTER vor der Verwendung mindestens 1 Stunde lang ein.



## VORSICHTSMASSNAHMEN FÜR DEN GEBRAUCH IM WINTER

### Aufblasen

Niedrige Temperaturen erhärten das PVC-Material und lassen es brüchiger werden.

- Der neue Whirlpool könnte möglicherweise bei einer niedrigen Temperatur (unter 4 °C / 39 °F) gelagert oder transportiert worden sein, bevor er entfaltet wurde. Legen Sie das Paket für 12 Stunden in einen Innenraum oder an einen warmen Ort, damit das Material vor der Verwendung weicher wird.

### Heizung und Wärmeerhaltung

Bei kaltem Wetter dauert das Aufheizen des Wassers bedeutend länger. Es wird empfohlen:

- Befüllung der Whirlpool-Wanne mit lauwarmem Wasser (nicht mehr als 40 °C / 104 °F), um das Erwärmen zu beschleunigen.
- Die Verwendung einer Bodenmatte und einer aufblasbaren Bladder für einen besseren Wärmespeicherungseffekt.
- Wenn die Außentemperatur unter 4 °C (39 °F) liegt, sollte die Heizung bei eingelassenem Wasser immer eingeschaltet sein (oder der Whirlpool in den Standby-Modus versetzt werden), selbst wenn der Whirlpool nicht benutzt wird, um ein Gefrieren des Wassers zu verhindern.
- Ihr Whirlpool ist mit einem Vereisungsschutzsystem ausgestattet. Schalten Sie den Whirlpool in den Standby-Modus, wenn die Umgebungstemperatur unter 1 °C (33,8 °F) beträgt und der Filter wird automatisch eingeschaltet. Wenn die Wassertemperatur nun unter 1 °C (33,8 °F) abfällt, schaltet sich die Heizung automatisch ein. Dies verhindert, dass das Wasser gefriert. Wenn Sie den Whirlpool über einen längeren Zeitraum nicht benutzen, demontieren Sie ihn bitte und lagern Sie ihn entsprechend der Lagerungsanweisung.
- Wenn das Vereisungsschutzsystem aktiviert ist, erkennt das System, dass sich der Whirlpool in einem extrem kalten Zustand befindet, der für eine Hydromassage ungeeignet ist. Auf dem Bildschirm wird als Hinweis das Schneeflockensymbol angezeigt. In diesem Zustand kann die WASSERSTRAHL-Funktion nicht aktiviert werden. Bitte erwärmen Sie das Wasser auf 20 °C (68 °F) oder mehr, um diese Funktion nutzen zu können.

### An regnerischen Tagen

Benutzen Sie den Whirlpool nicht bei Regen, wenn er im Freien steht.

Wenn der Whirlpool unter einem Regendach aufgestellt ist, schalten Sie die Luftblasenfunktion nicht ein. Der Grund dafür ist, dass Regentropfen der Umgebungsluft ebenfalls von der Pumpe angesaugt werden, wodurch der Blasengenerator feucht und rostig wird, was zu einer Fehlfunktion und zu einem Erlöschen der Garantie führen könnte.

Es wird empfohlen, den Stecker und die Steckdose an einem Ort zu platzieren, der keinem Regen ausgesetzt ist, um Schäden durch Wasseransammlungen aufgrund von übermäßigem Niederschlag zu vermeiden.

## ENTSORGUNG UND UMWELTSCHUTZ





Diese Kennzeichnung weist darauf hin, dass das Produkt nicht zusammen mit anderem Hausmüll entsorgt werden darf. Um mögliche Schäden für die Umwelt oder die menschliche Gesundheit durch eine unkontrollierte Abfallentsorgung zu vermeiden und um die nachhaltige Wiederverwertung von stofflichen Ressourcen zu fördern, müssen Geräte verantwortungsbewusst recycelt werden. Informationen zur Entsorgung erhalten Sie bei Ihren lokalen Behörden.

Zur Rückgabe und für das umweltgerechte Recycling Ihres Altgeräts, verwenden Sie bitte die Rückgabe- und Sammelsysteme oder wenden Sie sich an den Händler, bei dem Sie das Produkt gekauft haben.

# FEHLERBEHEBUNG

## FEHLERCODE-TABELLE

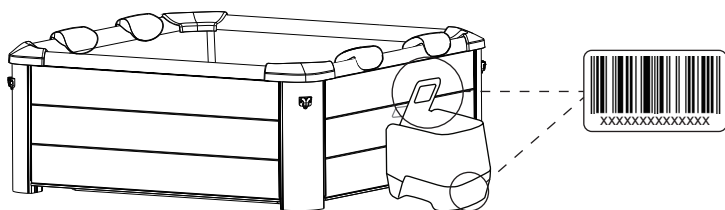
LED-ANZEIGE	URSACHE	ABHILFE
- - - / 888 / EEP	Signaldraht ist locker	Wenden Sie sich an das örtliche MSpa Servicecenter
	Kommunikation fehlgeschlagen	Wenden Sie sich an das örtliche MSpa Servicecenter
F0	Die Wassertemperatur liegt unter 0 °C (32 °F) oder übersteigt 50 °C (122 °F)	Wechseln Sie das Wasser
	Ausfall des Temperatursensors	Wenden Sie sich an das örtliche MSpa Servicecenter
F1	Sofort nach Drücken von FILTER, HEATING oder UVC wird F1 angezeigt	Reinigen Sie die Teile und Rohre, durch die das Wasser fließt
	15 Sekunden nach dem Drücken von FILTER, HEATING oder UVC wird F1 angezeigt	<ol style="list-style-type: none"> <li>1. Fügen Sie mehr Wasser hinzu, um die Mindestfüllhöhe zu erreichen</li> <li>2. Reinigen Sie die Teile und Rohre, durch die das Wasser fließt</li> <li>3. Wenden Sie sich an das örtliche MSpa Servicecenter</li> </ol>

PROBLEM	URSACHE	ABHILFE
<b>KEINE ANZEIGE AUF DEM BEDIENFELD</b>	Ausfall der Steckdose	Wechseln die Steckdose oder reparieren Sie die Steckdose vor der Verwendung
	PRCD ist ausgeschaltet	Setzen Sie die PRCD zurück, indem Sie den Abschnitt „PRCD-Prüfung“ befolgen.
	Drücken Sie den Reset-Knopf, Steuereinheit ist kaputt	Wenden Sie sich an das örtliche MSpa Servicecenter
	PRCD kaputt	Wenden Sie sich an das örtliche MSpa Servicecenter
<b>UNDICHTER WHIRLPOOL</b>	Die Ein- und Ausgangsverbindung des Whirlpools ist nicht sicher festgezogen	Ziehen Sie die Ein- und Ausgangsverbindung fest
	Das Entleerungsventil ist nicht vollständig geschlossen	Schließen Sie das Entleerungsventil. Kontaktieren Sie das MSpa Servicecenter, falls der Whirlpool danach immer noch undicht ist
<b>HEIZT NICHT RICHTIG</b>	Temperatur ist zu niedrig eingestellt	Stellen Sie eine höhere Temperatur ein
	Verschmutzte Filterkartusche	Reinigen oder ersetzen Sie die Filterkartusche
	Der Wasserstand liegt unter der Mindestfüllhöhe	Fügen Sie mehr Wasser hinzu, um die Mindestfüllhöhe zu erreichen
	Ausfall der Heizung	Wenden Sie sich an das örtliche MSpa Servicecenter
	Die Filterpumpe FUNKTIONIERT NICHT	Siehe Abschnitt „DIE FILTERPUMPE FUNKTIONIERT NICHT“
<b>UNSAUBERES WASSER</b>	Das Wasser ist seit langer Zeit in Gebrauch	Wechseln Sie das Wasser
	Unzureichende Filterdauer	Verlängern Sie die Filterdauer
	Verschmutzte Filterkartusche	Reinigen oder ersetzen Sie die Filterkartusche rechtzeitig
	Unsachgemäße Wasserpflege	Beachten Sie die Anweisungen des Chemikalienherstellers
<b>KEINE BLASEN</b>	Automatisches Ausschalten für 10 Minuten	Nach 10 Minuten können Sie die Massagefunktion wieder anschalten
	Interne Teile beschädigt	Wenden Sie sich an das örtliche MSpa Servicecenter
	Einwegventil defekt	Wenden Sie sich an das örtliche MSpa Servicecenter
<b>FILTERPUMPE FUNKTIONIERT NICHT</b>	Die Filterkartusche ist durch Schmutz Oder andere Gegenstände verstopft	Reinigen oder ersetzen Sie die Filterkartusche
	Ausfall des Filtersystems	Wenden Sie sich an das örtliche MSpa Servicecenter
<b>STÖRUNG DES OZONGENERATORS</b>	Der Wasserstand liegt unter der Mindestfüllhöhe	Füllen Sie Wasser bis zur Mindestfüllhöhe ein
	Interne Teile beschädigt	Wenden Sie sich an das örtliche MSpa Servicecenter
	Filterpumpe funktioniert nicht	Siehe Abschnitt „DIE FILTERPUMPE FUNKTIONIERT NICHT“
<b>STÖRUNG DER WASSERSTRAHLFUNKTION (ohne  Symbol)</b>	Interne Teile sind beschädigt	Wenden Sie sich an das örtliche MSpa Servicecenter
	Wasserzulauf ist blockiert	Reinigen Sie die Filterpumpe und die Wasserpumpenzuläufe
	Filterpumpe funktioniert nicht	Siehe Abschnitt „DIE FILTERPUMPE FUNKTIONIERT NICHT“
<b>STÖRUNG DER WASSERSTRAHLFUNKTION (mit  Symbol)</b>	Niedrige Wasser- oder Umgebungstemperatur	Erwärmen Sie das Wasser auf bis zu 20 °C (68 °F)
	Schutzsystem zu empfindlich	Stellen Sie sicher, dass die Wassertemperatur über 20 °C (68 °F) liegt. Halten Sie die JET-Taste für 3 Sek. gedrückt, um die JET-Funktion zu entsperren. Wenn der obige Vorgang nicht funktioniert, erwärmen Sie das Wasser weiter und versuchen Sie es später erneut.



Wo finde ich die Seriennummer?

Auf der Rückseite des Schaltkastens. Oder unten am Schaltkasten.



Wie finde ich meinen Service-Ansprechpartner?

\* Scannen Sie den unten stehenden QR-Code oder besuchen Sie <https://www.the-mspa.com/after-sales>.

1. Geben Sie die Seriennummer Ihres Whirlpools ein.
2. Der entsprechende Dienstleister wird Ihnen angezeigt.



\* Die Kontaktinformationen des örtlichen Servicecenters finden Sie auf der Rückseite der Garantiekarte.

WENDEN SIE SICH BEI PRODUKTBEZOGENEN FRAGEN ODER PROBLEMEN AN IHREN LOKALEN MSPA-HÄNDLER ODER IHR SERVICECENTER.

## BESCHRÄNKTE GARANTIE VON MSPA

MSpa® wurde mit Blick auf Zuverlässigkeit und Benutzerfreundlichkeit hergestellt. Alle Produkte wurden vor dem Verlassen der Fabrik überprüft und für fehlerfrei befunden.

MSpa bietet für dieses Produkt eine Garantie gegen Material- und Verarbeitungsfehler für einen Zeitraum von:

Whirlpool-Auskleidung – **zwölf (12) Monate** ab dem ursprünglichen Kaufdatum.

Elektrische Teile (Steuerkasten) – **zwölf (12) Monate** ab dem ursprünglichen Kaufdatum. Starre Wandrahmen für Whirlpools – **vierundzwanzig (24) Monate** ab dem ursprünglichen Kaufdatum.

Die Garantiezeit beginnt mit dem Kaufdatum und MSpa verlangt zur Feststellung des Datums die Vorlage des Original-Kaufbelegs.

Während der Garantiezeit repariert oder ersetzt MSpa nach eigenem Ermessen alle defekten Produkte. Für Ersatzprodukte oder reparierte Teile gilt die Garantie nur für die verbleibende Gültigkeitsdauer der ursprünglichen Garantie.

### Versandbestimmungen

Die Verbraucher tragen die Versand-/Frachtkosten, wenn sie defekte Teile an ein von MSpa autorisiertes Servicecenter oder an ORPC - Oriental Recreational Products (Shanghai) Co., Ltd. zurücksenden.

### Garantiebestimmungen

- Diese Garantie gilt nicht für Mängel, die auf Fahrlässigkeit, Unfälle, Missbrauch oder andere Gründe zurückzuführen sind, die außerhalb der angemessenen Kontrolle von MSpa liegen. Sie gilt unter anderem nicht für normale Abnutzung, Fahrlässigkeit oder Nichtbeachtung der Produktanweisungen, unsachgemäße oder unzureichende Wartung, Anschluss an eine ungeeignete Stromversorgung, Schäden durch chemisch aufbereitetes Wasser, Verlust von Poolwasser, nicht autorisierte Produktmodifikationen oder Reparaturen, Verwendung für kommerzielle Zwecke, Feuer, Blitzschlag, Überschwemmung oder andere externe Ursachen.
- Diese Garantie ist nur im Land des Kaufs und in Ländern gültig, in denen MSpa verkauft und dasselbe Modell mit identischen technischen Spezifikationen anbietet. Garantieleistungen außerhalb des Kauflandes sind auf die Bestimmungen und Bedingungen der entsprechenden Garantie im Land der Dienstleistung beschränkt. Wenn die Kosten für die Reparatur oder den Ersatz nicht durch diese Garantie gedeckt sind, wird MSpa die Eigentümer informieren und die Kosten werden dem Eigentümer in Rechnung gestellt.
- Diese Garantie gilt nur für den ursprünglichen Käufer und endet mit jeder Eigentumsübertragung.
- Alle Reparaturen, für die Gewährleistungsansprüche geltend gemacht werden, müssen von ORPC durch einen akkreditierten Händler oder Vertreter vorab autorisiert werden. Dies gilt unter der Voraussetzung, dass das defekte Teil bei Bedarf an den Händler oder Vertreter unter Vorauszahlung der Transportkosten zurückgeschickt wird.
- Der autorisierte Händler ist für alle Vor-Ort-Servicearbeiten, die an Ihrem Produkt von MSpa durchgeführt werden, verantwortlich. ORPC haftet nicht für die Kosten von Arbeiten, die von einer nicht autorisierten Serviceperson ausgeführt werden.
- Für Produkte, die sowohl mit MSpa als auch mit dem Importeur gekennzeichnet sind, gilt ausschließlich die vom Importeur gewährte Garantie.

### Garantieregistrierung




Bitte bewahren Sie für den Fall eines zukünftigen Garantiefalls stets den Kaufbeleg und die Garantiekarte auf. Alle Ansprüche müssen bei einem von MSpa autorisierten Händler oder Servicepartner eingereicht werden. Es ist wichtig, dass alle eingereichten Garantieansprüche alle notwendigen Informationen enthalten, einschließlich Kundename, Kaufbeleg, Seriennummer, Produktnummer, Problem und angeforderte Teile.



**m**Spa

## Manual de usuario

OSLO F-OS063W  
NAPUKA 522625 ES

	  <p>¿DUDAS? ¿PROBLEMAS? ¿PARTES FALTANTES? Para consultar preguntas frecuentes, manuales, vídeos o comprar piezas de repuesto, visite <a href="http://www.the-mspa.com/support">www.the-mspa.com/support</a></p>
---	---

Debido al continuo proceso de mejora de sus productos, MSpa se reserva el derecho a modificar las características y el aspecto de sus productos, lo que puede dar lugar a la actualización del manual de instrucciones sin previo aviso.



Sitio web oficial de MSpa



Vídeos de configuración de MSpa



Lista de centros de asistencia de MSpa



Manual de propietario MSpa (multidioma)

## ÍNDICE

---

Medidas de precaución .....	3
Características .....	8
Accesorios .....	8
Primer uso y preparación de la instalación .....	9
Configuración del spa .....	10
Uso del mando .....	12
Uso de banda de luz LED .....	14
Mantenimiento del agua y productos químicos .....	15
Vaciado, limpieza y almacenamiento .....	16
Precauciones para un uso estacional .....	18
Eliminación y preservación medioambiental .....	18
Solución de problemas .....	19
Garantía limitada de MSPA .....	20



## MEDIDAS DE PRECAUCIÓN

---

Por su propia seguridad y la de su producto, asegúrese de tomar las siguientes medidas de precaución. El incumplimiento de estas instrucciones puede provocar daños materiales, lesiones graves o incluso la muerte. La instalación o utilización indebidas anularán la garantía.

### **ASEGÚRESE DE LEER, ENTENDER Y SEGUIR TODAS LAS INSTRUCCIONES - GUARDE ESTE MANUAL PARA FUTURAS CONSULTAS**

#### **⚠ PELIGRO**

- Riesgo de ahogamiento accidental. Deben adoptarse precauciones extremas para evitar el acceso no autorizado de niños.
- Riesgo de ahogamiento. Inspeccione la cubierta del spa regularmente para ver si hay fugas, desgaste prematuro, daños o signos de deterioro. No utilice nunca una cubierta desgastada o dañada: no proporcionará el nivel de protección necesario para evitar el acceso no supervisado de un niño al spa.
- Riesgo de ahogamiento. Cierre siempre la cubierta del spa después de cada uso.
- Riesgo de lesiones. Los accesorios de succión de este spa tienen un tamaño que coincide con el flujo de agua específico creado por la bomba. No utilice nunca el spa si falta algún accesorio de succión o hay alguno roto. No sustituya nunca un accesorio de succión por otro incompatible.
- Aquellos equipos que se perciba de manera obvia que están dañados no deberán ser utilizados.
- Riesgo de lesiones. Si el cable de alimentación está dañado, debe sustituirlo el fabricante, un servicio de reparación o una persona de cualificación similar para evitar riesgos.
- Riesgo de descarga eléctrica. No permita la presencia de ningún aparato eléctrico, como luces, teléfonos, radios o televisores, a menos de 1,5 m (5 pies) de la bañera del spa.
- Riesgo de descarga eléctrica. No use el spa cuando esté lloviendo o haya truenos o rayos.

#### **⚠ ADVERTENCIA**

- Para reducir el riesgo de descarga eléctrica, no utilice alargaderas, temporizadores, adaptadores de enchufe ni enchufes transformadores para conectar la unidad al suministro eléctrico; conéctela a una toma de corriente correctamente ubicada.
- Este aparato, con sus elementos calefactores incorporados, debe conectarse a una toma de corriente con conexión a tierra con un cable de alimentación provisto de un enchufe y un PRCD (dispositivo portátil de corriente residual) con una corriente de activación de 10 mA.
- Este aparato con toma de tierra solo debe conectarse directamente a una toma de corriente con conexión a tierra para cableado fijo.
- Las partes que contengan componentes bajo tensión, excepto aquellas partes suministradas con un voltaje extrabajo de seguridad que no supere los 12 V, deben ser inaccesibles para cualquier persona que use el spa.
- Las piezas que lleven componentes eléctricos incorporados, excepto los dispositivos de control remoto, deben situarse o sujetarse de manera que no puedan caer dentro del spa.
- La instalación eléctrica debe cumplir los requisitos y normativas locales.
- El mando con cable debe guardarse correctamente en el bolsillo lateral cuando no se esté utilizando para protegerlo de caídas y otros peligros.

- Este aparato puede ser utilizado por niños de 8 años en adelante y por personas con capacidades físicas, sensoriales o mentales reducidas o con falta de experiencia y conocimientos suficientes siempre que estén supervisados o hayan sido instruidos sobre el uso seguro del aparato y comprendan los riesgos que conlleva. Los niños no deben jugar con el aparato ni realizar ninguna tarea de limpieza o mantenimiento sin supervisión.
- Para reducir el riesgo de lesiones, mantenga a los niños alejados de este producto a menos que sean supervisados atentamente en todo momento.
- Para reducir el riesgo de ahogamiento infantil, supervise a los niños en todo momento. Coloque y cierre la cubierta del spa después de cada uso.
- Asegúrese de que el suelo pueda soportar la carga prevista, pudiendo averiguarlo en la tabla de características. Debe calcular la capacidad en función de la carga de agua prevista más el peso total.
- Se debe proveer un sistema de drenaje adecuado alrededor del spa para evacuar el agua desbordada.
- Para reducir el riesgo de lesiones:
  - a) Se aconseja utilizar temperaturas del agua más bajas para niños pequeños y cuando se utilice el spa durante más de 10 minutos. Para evitar la posibilidad de que se produzca una hipertermia (estrés por calor), se recomienda que la temperatura media del agua del spa no supere los 40 °C (104 °F). Tenga en cuenta que puede que el rango más confortable de temperatura durante el uso sea inferior a la máxima temperatura segura.
  - b) Puesto que la temperatura excesiva del agua tiene un alto potencial para causar daños en el feto durante los primeros meses del embarazo, las mujeres embarazadas o que puedan estarlo deben limitar la temperatura del agua del spa a un máximo de 38 °C (100 °F).
  - c) Antes de entrar en el spa o jacuzzi, el usuario debe medir la temperatura del agua con un termómetro preciso, ya que la tolerancia de los dispositivos reguladores de la temperatura del agua puede variar.
  - d) El consumo de alcohol, drogas o medicamentos antes o durante el uso del spa puede llevar a la pérdida del conocimiento, pudiendo incluso ahogarse.
  - e) El consumo de alcohol, drogas o medicamentos puede aumentar considerablemente el riesgo de hipertermia mortal en los spas.
  - f) Las causas y los síntomas de la hipertermia pueden describirse de la siguiente manera: la hipertermia se produce cuando la temperatura interna del cuerpo alcanza un nivel varios grados por encima de la temperatura corporal normal de 37 °C (98,6 °F). Los síntomas de hipertermia incluyen aumento de la temperatura interna del cuerpo, mareos, letargo, somnolencia y desvanecimientos. Entre los efectos de la hipertermia figuran: incapacidad para percibir el calor, incapacidad para percatarse de la necesidad de salir del spa, falta de conciencia del peligro inminente, daños fetales en mujeres embarazadas, incapacidad física para salir del spa y pérdida de consciencia que puede conllevar el riesgo de ahogarse.
  - g) Las personas obesas o con antecedentes de enfermedades cardíacas, tensión arterial alta o baja, problemas del sistema circulatorio o diabetes deben consultar con un médico antes de utilizar un spa.
  - h) Las personas que tomen medicamentos deben consultar con un médico antes de usar un spa, ya que algunos medicamentos pueden provocar somnolencia o afectar al ritmo cardíaco, la presión arterial o la circulación.
  - i) Consulte con un médico antes de usar el spa si está embarazada, padece diabetes, tiene problemas de salud o está bajo algún tratamiento médico.

- Las personas afectadas por una enfermedad infecciosa no deben utilizar un spa o jacuzzi.
- Para evitar lesiones, tenga cuidado al entrar y salir del spa o jacuzzi.
- Las temperaturas del agua que superen los 40 °C (104 °F) pueden ser perjudiciales para la salud.
- No utilice nunca un spa o jacuzzi en solitario ni permita que otras personas lo hagan.
- No utilice un spa o jacuzzi inmediatamente después de hacer ejercicio intenso.
- El calor del spa combinado con alcohol, drogas o medicamentos puede hacerle perder el conocimiento.
- Salga inmediatamente si siente incomodidad, mareo o somnolencia. El calor del spa puede causar hipertermia pérdida del conocimiento.
- Para evitar la congelación, el spa no debe exponerse a temperaturas inferiores a 0 °C (32 °F) mientras haya agua en su interior. Es útil colocar una alfombrilla que sirva de barrera de temperatura entre el spa y el suelo. También se puede utilizar una alfombrilla similar hecha de espuma o cualquier otro material con propiedades de barrera térmica. No encienda el spa cuando el agua esté congelada.
- No vierta nunca agua con una temperatura superior a 40 °C (104 °F) en el spa directamente.
- Desenchufe siempre el producto de la toma de corriente antes de retirarlo, limpiarlo, revisarlo o hacer cualquier ajuste.
- No salte ni se zambulla nunca en un spa ni en ninguna otra masa de agua poco profunda.
- No debe situarse ninguna pieza del aparato eléctrico encima del spa durante su uso.
- No entierre el cable eléctrico. Ubique el cable donde no pueda ser dañado por cortadoras de césped, recortadoras de setos ni ningún otro aparato.
- No intente enchufar ni desenchufar el producto mientras esté en el agua ni cuando tenga las manos mojadas.
- No utilice el spa si lo recibe dañado o tiene algún problema de funcionamiento.
- Póngase en contacto con el centro de asistencia de MSpa si necesita más instrucciones.
- Mantenga a todas las mascotas lejos del spa para evitar daños.
- No añada aceite de baño ni sales de baño al agua del spa.
- Evite en todo momento meter la cabeza en el agua.
- No trague agua del spa.
- El spa contiene un emisor de UVC. Para reemplazar o reparar el emisor de UVC, contacte con un técnico profesional. Se prohíbe estrictamente a los usuarios reemplazar el emisor de UVC. El uso accidental del aparato o el deterioro de la estructura pueden provocar escapes de la peligrosa radiación UVC. La radiación UVC, incluso en pequeñas dosis, puede causar daños en los ojos y la piel.
- **ADVERTENCIA: no ponga en funcionamiento el emisor de UVC cuando se haya quitado el aparato del recinto o cuando sea obvio que el equipo está dañado.**
- Consulte con expertos o bien con las autoridades locales a la hora de aplicar las normativas/leyes locales o nacionales referentes al vallado para áreas de niños, barreras de seguridad, iluminación y otros requisitos de seguridad.



## AVISO

- Añada siempre productos químicos al agua, nunca agua a los productos químicos. Añadir agua a los productos químicos puede causar vapores fuertes o reacciones violentas y pulverizaciones químicas tóxicas.
- En el caso del agua que ya se ha utilizado, deshágase de ella rápidamente o utilice productos químicos para su limpieza.
- Normalmente se recomienda vaciar y volver a llenar el spa con agua limpia cada 3-5 días.
- Utilice el kit químico de desinfección de acuerdo con las instrucciones del fabricante.
- No deje ni instale el spa con una temperatura inferior a 4 °C (39 °F) si el calentador no está funcionando.
- Entre y salga siempre del spa o jacuzzi lentamente y con precaución. Tenga aún más cuidado si el suelo está mojado.
- Para evitar daños en la bomba, no encienda nunca el spa o jacuzzi si no está lleno hasta la línea mínima de agua.
- El spa o jacuzzi solo debe colocarse en un lugar debidamente preparado que cumpla el requisito de carga soportada por el suelo.
- ReviseNo deje el spa vacío durante un período prolongado. Vacíe el spa por completo si no lo va a utilizar por un período prolongado. No exponga el spa a la luz solar directa.
- Abra lalo regularmente antes de cada uso. Cuando el spa no esté en uso, guárdelo inmediatamente o manténgalo en un área cerrada.
- cubierta superior del spa cuando la función de burbujas esté activada.
- Para evitar riesgos debidos al reajuste involuntario de la desconexión térmica, este aparato no debe alimentarse mediante un dispositivo de conmutación externo, como un temporizador, ni conectarse a un circuito que la compañía eléctrica encienda y apague periódicamente
- Una vez instalado el spa, consulte las secciones correspondientes a la limpieza, las revisiones periódicas y otras tareas de mantenimiento.
- No tire ni rompa la banda de luz con una fuerza excesiva al instalar o desmontar la banda LED en o de la piscina del spa. Tenga en cuenta que el chip de la banda LED no es reemplazable ni extraíble.
- Utilice el adaptador de corriente CA Mspa únicamente para conectar la banda LED.
- A fin de reducir los riesgos de estrangulamiento, el cableado flexible conectado a esta luminaria deberá quedar sujetado firmemente a la pared si el cableado está al alcance de la mano.
- No opere la banda LED ni la conecte a la corriente si el paquete aún esta en su embalaje.
- Tenga en cuenta que la banda linear LED solamente puede ser operada de manera individual. No conecte la banda a otra banda LED.
- Se recomienda preservar el paquete original y el manual de usuario.
- El cable flexible externo y el cable de esta luminaria no podrán ser reemplazados; si el cable se hallase dañado, deberá destruir la banda LED.

## EXPLICACIÓN DE LAS ADVERTENCIAS DEL SPA



Supervisión  
de adultos



Lea el manual  
de instrucciones

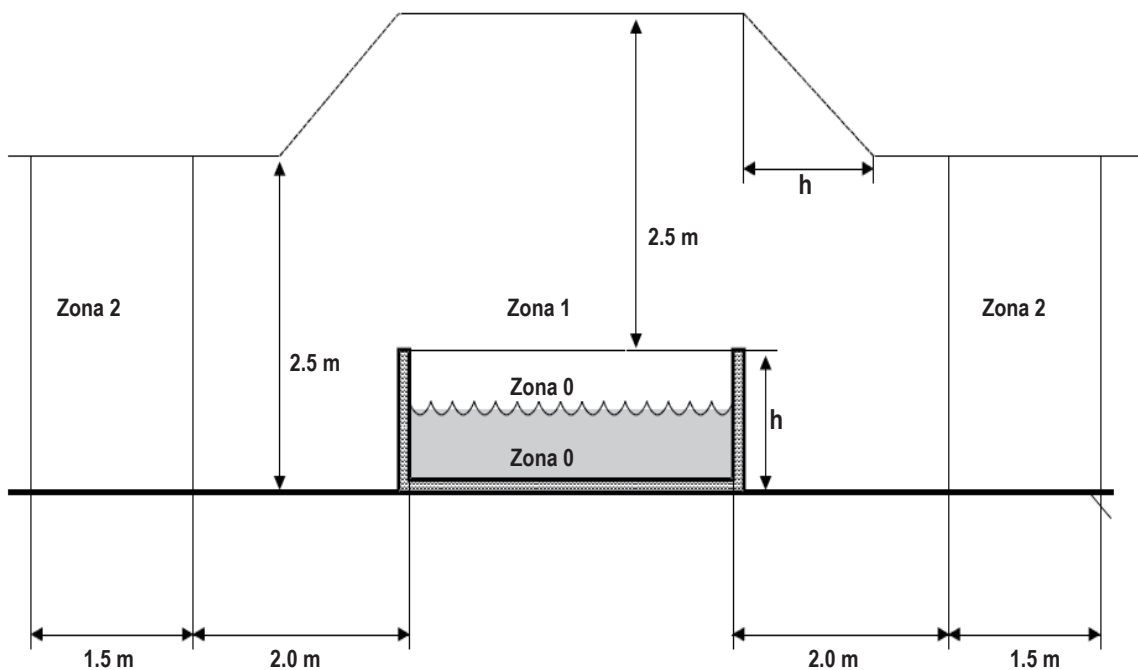


No bucear



No poner los dedos  
en el chorro de masaje

**Advertencia:** los niveles de protección del agua del aparato varían en las diferentes zonas del artículo, como se muestra en el siguiente diagrama. **(Las normas de instalación cumplen la norma IEC 60364-7-702.)**

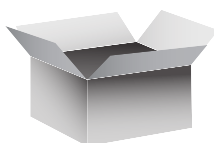


**NOTA** – Las dimensiones de la zona medida están limitadas por las paredes y los tabiques fijos.

Zonas	Descripción de las zonas
Zona 0	La zona 0 es el interior del spa, incluyendo cualquier recoveco de las paredes o el suelo.
Zona 1	La zona 1 está delimitada por <ul style="list-style-type: none"> <li>• Zona 0</li> <li>• Un plano vertical de 2 m desde el borde del spa.</li> <li>• El suelo o la superficie prevista para que la ocupen los usuarios.</li> <li>• El plano horizontal de 2,5 m por encima del suelo o la superficie.</li> </ul>
Zona 2	La zona 2 está delimitada por <ul style="list-style-type: none"> <li>• Un plano vertical externo a la Zona 1 y un plano paralelo a 1,5 m del primero.</li> <li>• El suelo o la superficie prevista para que la ocupen los usuarios.</li> </ul>

# CARACTERÍSTICAS

Modelo N.º / Nombre	Forma	Núm. de plazas	Capacidad de agua	Dimensiones exteriores	Dimensiones interiores	Altura	Peso	Tasa de aumento de temperatura
<b>F-OS063W OSLO</b>	Cuadrada	6	850 L (224 Gal.)	1.6 m (63") x 1.6 m (63")	1.4 m (55") x 1.4 m (55")	0.65m (26")	109.6 kg (241.6 lbs)	1.6-2.2 °C/h
<b>Sistema de control y potencia nominal</b>	<b>Bomba de expulsión de chorro</b>	<b>Calentador</b>	<b>Soplador de aire de masaje</b>	<b>Bomba de filtro</b>	<b>Generador de ozono integrado</b>	<b>Flujo radiante UVC</b>	<b>Tapa superior</b>	<b>Material de revestimiento</b>
CA 220-240 V 50Hz 2300W	1100W	2200W	Nivel 1: 300W Nivel 2: 500W Nivel 3: 720W	1800L/hr	5.5W, 30-50mg/hr	2000uW	PVC reforzado Rhino-Tech™	Madera plástica
<b>Artículo</b>	<b>Modelo</b>	<b>Alimentación</b>	<b>Longitud (m)</b>	<b>Chips LED (pzs)</b>	<b>Modo relámpago</b>			
LED - 6DC12R - OS	Banda LED para spa cuadrado de 6 personas	DC12V, 22W	5.2	171	21 modos dinámicos, 20 colores estáticos			



## COMPROBACIÓN DE PIEZAS

Examine el equipo antes de utilizarlo.

Avisé al servicio de atención al cliente acerca de cualquier parte dañada o faltante en el momento de la compra.

<b>1</b>  Panel abierto * 1	<b>2</b>  Panel de madera plástica * 3 Uno con el logo de MSPa	<b>3</b>  Funda del spa con banda de luz LED	<b>4</b>  Travesaño de esquina * 4	<b>5</b>  Ribete superior * 4		
<b>6</b>  Sellado inferior * 4	<b>7</b>  Cubierta del spa con hebillas	<b>8</b>  Alfombrilla plegable de espuma	<b>9</b>  Cámara inflable	<b>10</b>  Caja de control del chorro		
<b>11</b>  Control remoto para banda de luz	<b>12</b>  Unión de ribetes superiores * 4	<b>13</b>  Amortiguación suave de esquina * 4	<b>14</b>  Unión de paneles laterales * 4	<b>15</b>  Reposaca bezas * 4	<b>16</b>  Manual de usuario	<b>17</b>  Kit de reparación
<b>18</b>  Cartucho de filtro * 2 + Base del cartucho de filtro * 1	<b>19</b>  Adaptador de manguera de jardín	<b>20</b>  Tapones de canales de agua / aire	<b>21</b>  Llave inglesa	<b>22</b> Dispensador químico para tabletas de 1"	<b>23</b>  Manguera y adaptador para inflado de cámara	<b>24</b>  Tornillo * 4 + Llave en forma de L

### NOTA:

Los dibujos son solo indicativos. Los productos reales pueden ser distintos. No a escala.

# PRIMER USO Y PREPARACIÓN DE LA INSTALACIÓN

## Requisitos y preparación del lugar

- Es posible instalar el spa en interiores o al aire libre, y puede hacerlo en unos 15 minutos entre 2 personas. Solo para uso doméstico.
- El spa debe instalarse en una superficie plana, lisa y de apoyo que soporte la carga máxima del spa lleno con el número máximo de ocupantes indicado. Consulte con un especialista cualificado o un ingeniero estructural para verificar este requisito.
- Revise la zona para asegurarse de que no haya objetos punzantes debajo ni alrededor del spa. Las superficies irregulares o poco sólidas pueden dañar el spa y anular la garantía. Nivele la superficie antes de llenar el spa de agua.
- Proporcione un sistema de drenaje adecuado alrededor del spa para evitar desbordamientos y salpicaduras de agua.
- Brinde un suministro adecuado de agua para rellenar el spa de manera tal que se cumpla con toda normativa local referente al agua, siendo los parámetros del mismo ajustados en consonancia con los requisitos de la sección de tratamiento del agua. Asegúrese de que haya suficiente espacio alrededor del spa para acceder perfectamente al aparato al efectuar tareas de mantenimiento o reparación.
- Intente posicionar el spa de modo que se minimicen las molestias sonoras tanto como sea posible.

## Requisitos adicionales para la instalación en interiores

- La humedad es un efecto secundario natural de la instalación de un spa en interiores. La habitación debe recibir una ventilación adecuada para que se disipe la humedad. Instale un sistema de ventilación para evitar el exceso de humedad por condensación en la habitación.
- Asegúrese de que el spa se pueda retirar del edificio sin destruir ninguna parte de la estructura construida.
- Tenga en cuenta la normativa local sobre estos temas.
- Evite colocar el spa sobre un/a alfombra/tapete o piso de algún material que fomente o albergue la humedad y las bacterias, o bien uno que pudiera verse perjudicado por los químicos utilizados en el spa para el tratamiento del agua.

## Requisitos adicionales para la instalación al aire libre

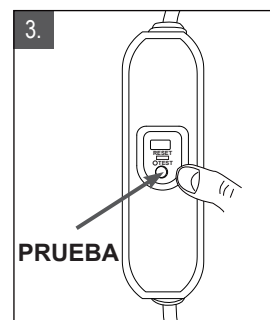
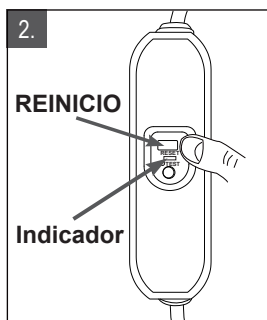
- No coloque el spa sobre el césped ni sobre tierra, ya que al hacerlo aumentaría la cantidad de escombros que entran en el spa y se podría dañar el suelo. Para garantizar una vida útil más larga, no deje el spa expuesto a la luz solar directa.
- No instale ni use el spa al aire libre a una temperatura inferior a 4 °C (39 °F).
- No use el spa cuando el agua del interior del sistema de circulación, la bomba o las tuberías esté congelada. Ponga una alfombrilla de preservación del calor entre la base del spa y el suelo para evitar la pérdida de calor por el fondo del spa y conseguir una mayor retención del calor.
- Tenga en cuenta las condiciones ambientales locales, tales como las aguas subterráneas y los riesgos de escarcha.

## Prueba del PRCD

### ⚠ ADVERTENCIA

Riesgo de descarga eléctrica: este producto se suministra con un PRCD situado en el extremo del cable de alimentación. Hay que probar el PRCD antes de cada uso. No utilice el spa si el PRCD no funciona correctamente. Desconecte el cable de alimentación hasta que se haya identificado y corregido el fallo. Póngase en contacto con un electricista profesional para reparar la avería. No hay piezas reparables dentro del PRCD. Abrir el PRCD anulará la garantía.

1. Enchufe el aparato a la red eléctrica.
2. Pulse el botón REINICIO del PRCD. El indicador se pondrá en rojo.
3. Pulse el botón PRUEBA del PRCD. El color rojo del indicador debería desaparecer. De lo contrario, el PRCD es defectuoso. En tal caso, no utilice el spa. Póngase en contacto con un electricista cualificado para reparar la avería.
4. Pulse el botón REINICIO del PRCD de nuevo. El indicador debería ponerse en rojo. Cuando lo haga, el spa estará listo para su uso.



## Unidad de control del spa conectada a los conductores externos de enlace equipotencial

Un electricista cualificado debe cablear la unidad de control del spa uniéndolo al terminal equipotencial de la vivienda usando un conductor de cobre sólido de 1,5 mm<sup>2</sup> como mínimo.

**NOTA:** Lleve el paquete entero a la ubicación seleccionada. No arrastre la bañera del spa por el suelo porque podría dañarlo y causar fugas. Abra la caja con cuidado para que pueda utilizarse para guardar el spa durante largos períodos o cuando no se use.

# CONFIGURACIÓN DEL SPA

