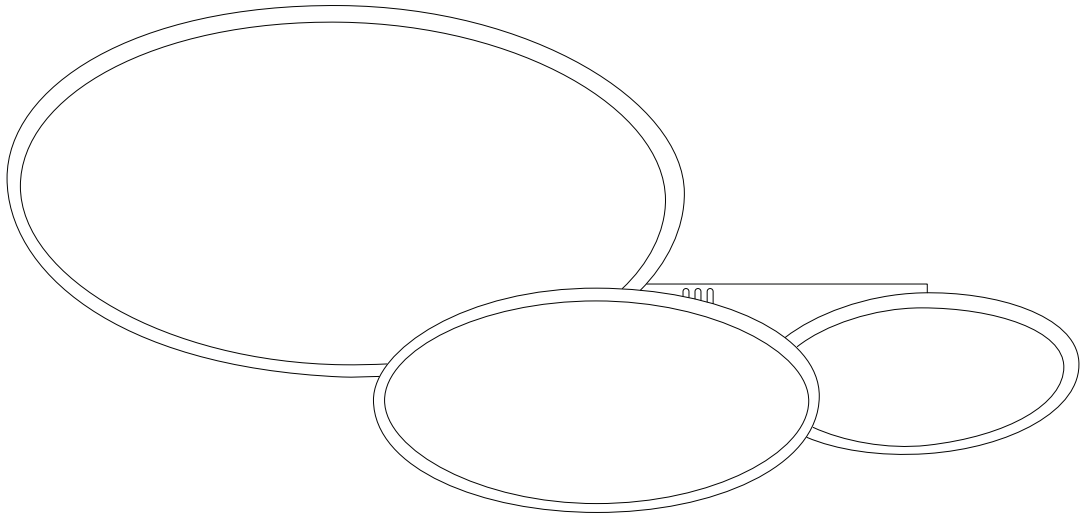
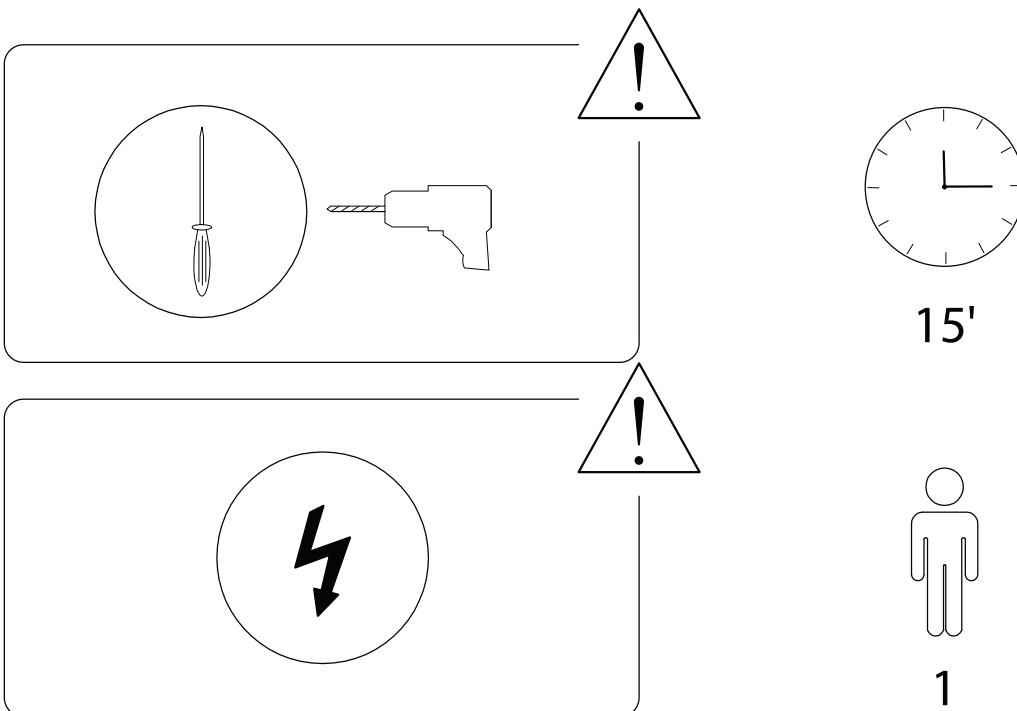
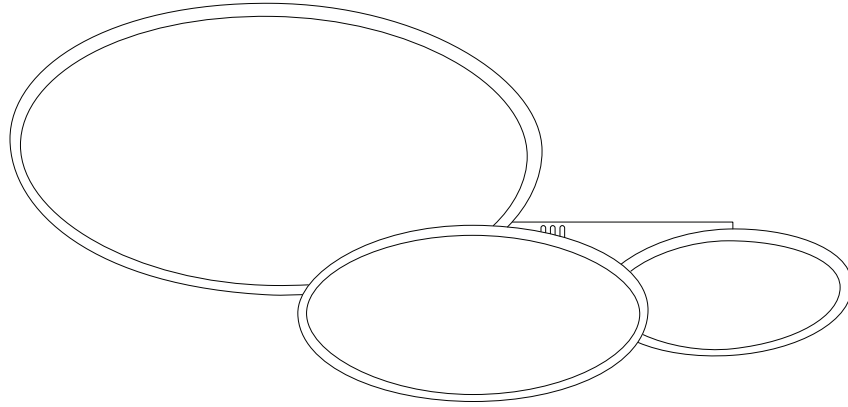
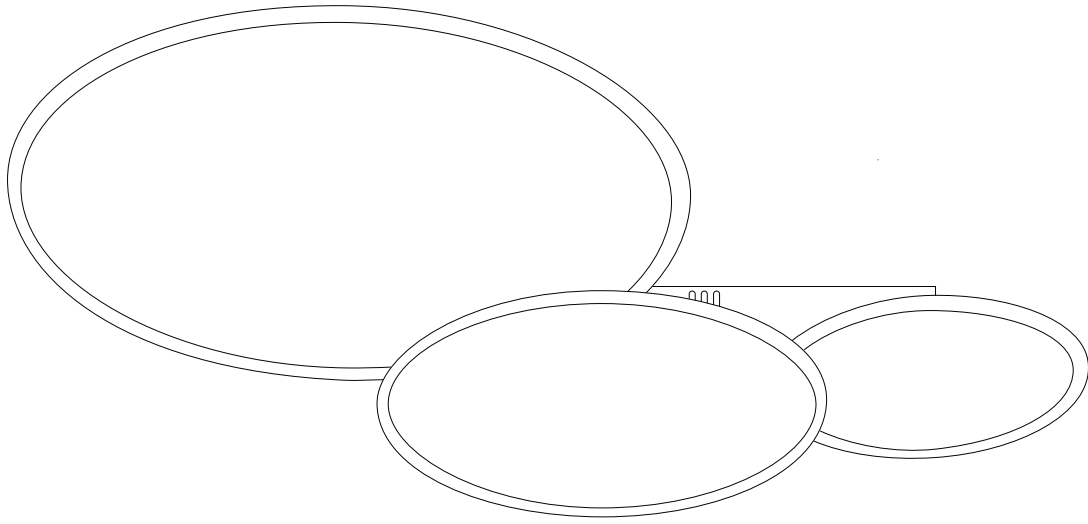


# GABRIK

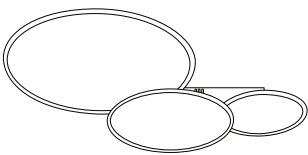




A

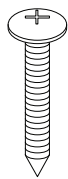


A



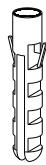
x 1

B



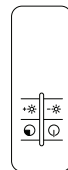
x 3

C



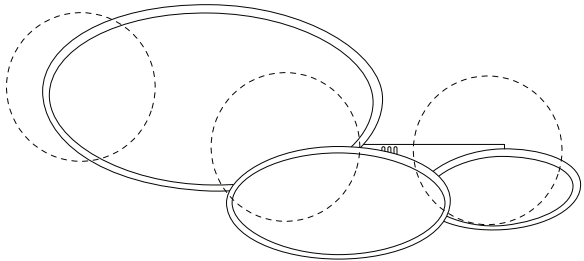
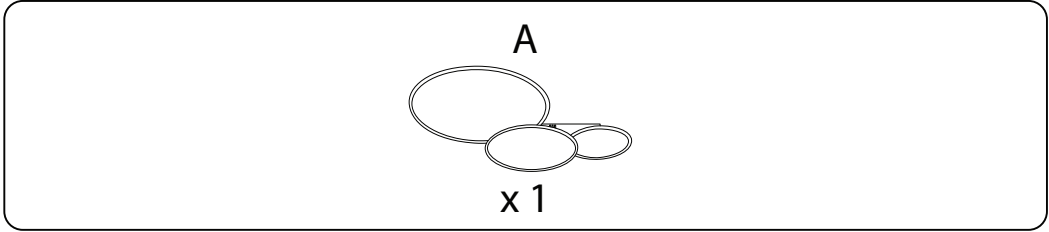
x 3

D

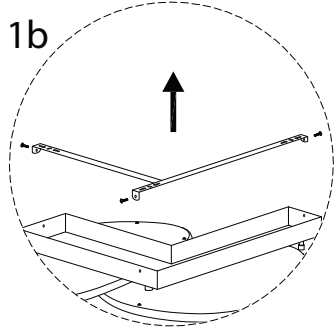
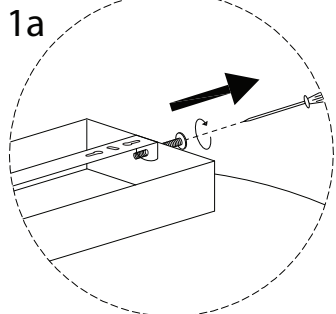
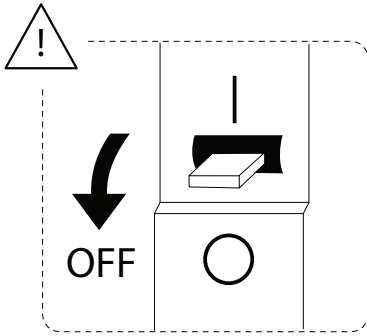


x 1

1



A



2

