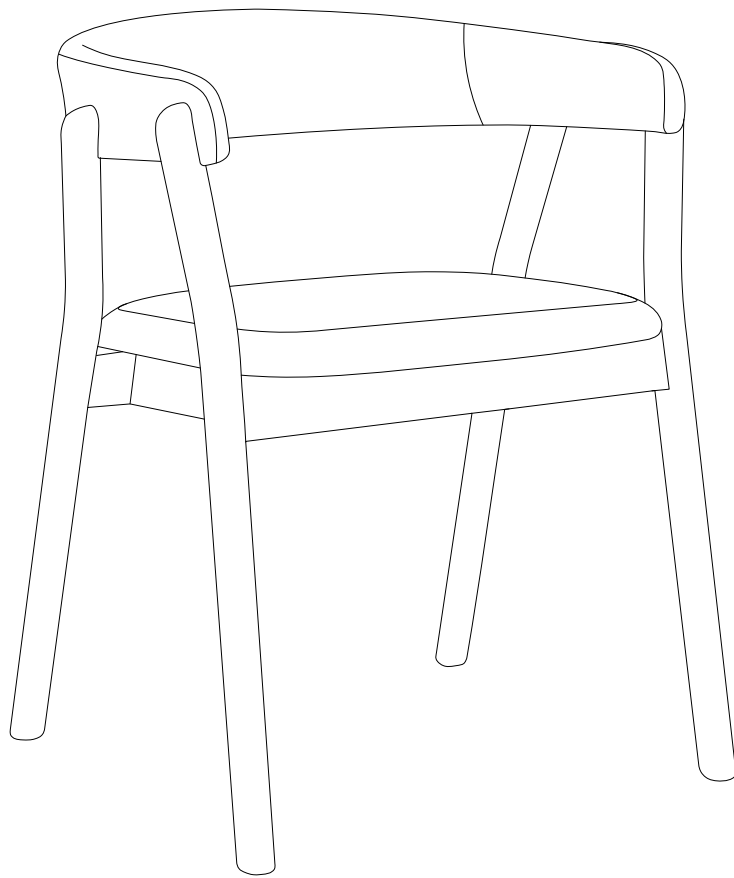


MYLO



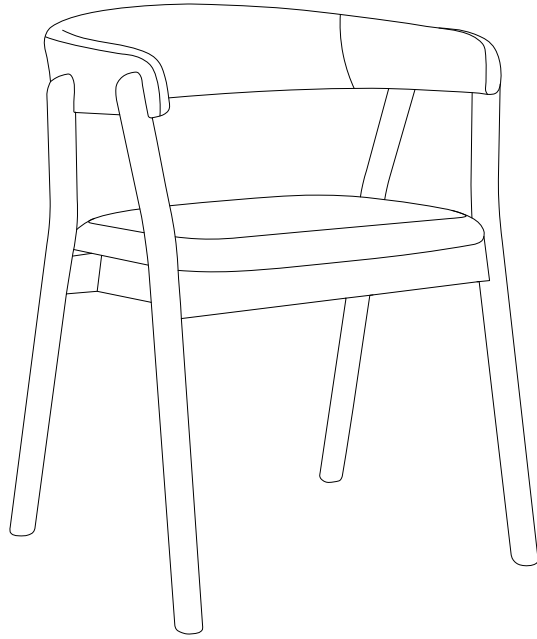
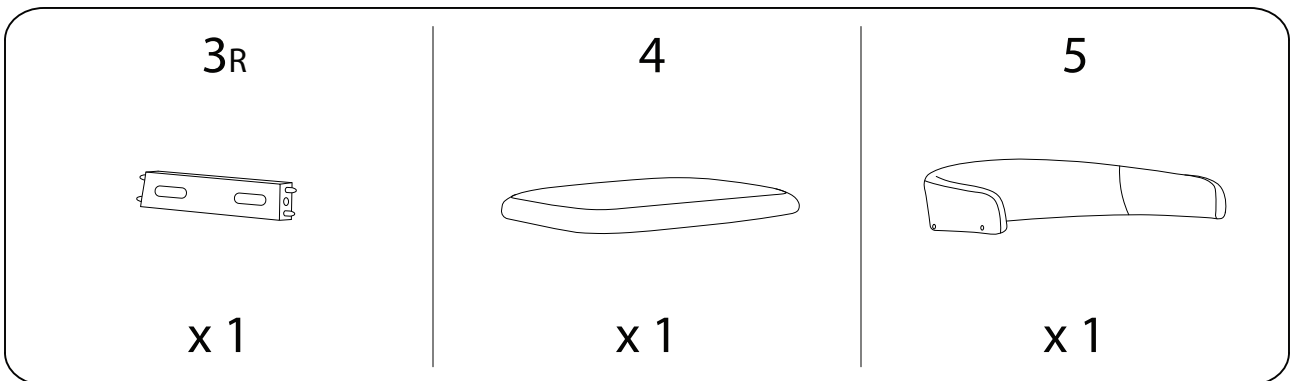
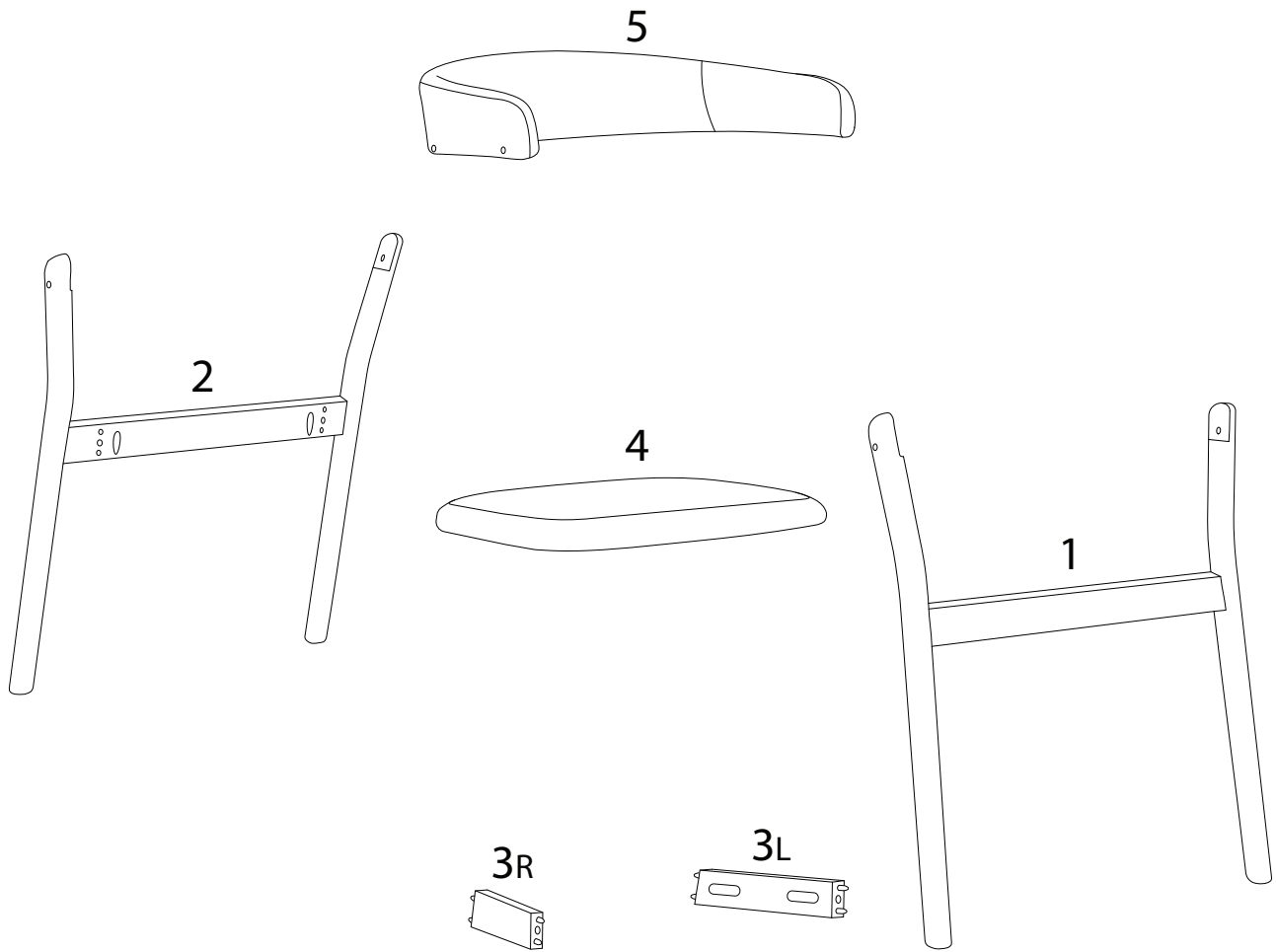
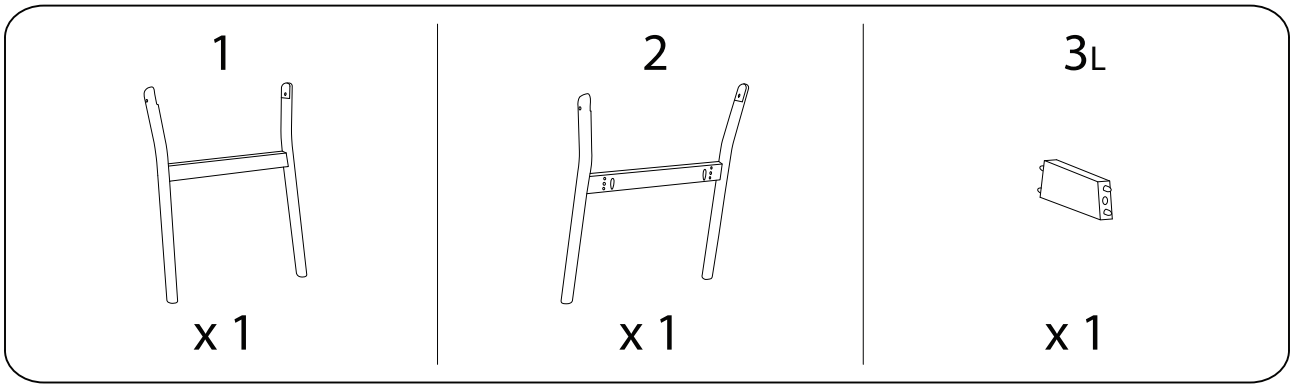
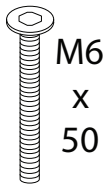


Diagram illustrating assembly instructions and safety warnings:

- Top Section:** Shows an Allen key (circled) and a power drill with a diagonal line through it, indicating that a power drill should not be used. To the right is a warning triangle with an exclamation mark and a clock icon with a circular arrow, indicating a 20-minute assembly time.
- Bottom Section:** Shows a rectangular block being placed on a surface (circled) and a diagram of a block with a diagonal line through it, indicating that the block should not be placed on an uneven or soft surface. To the right is a warning triangle with an exclamation mark and a person icon, indicating that one person is required for assembly.

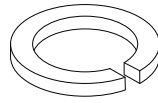


A1



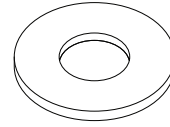
x 4

A2



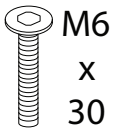
x 4

A3



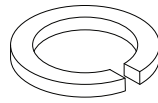
x 4

B1



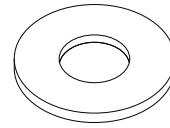
x 8

B2



x 8

B3



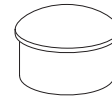
x 8

C



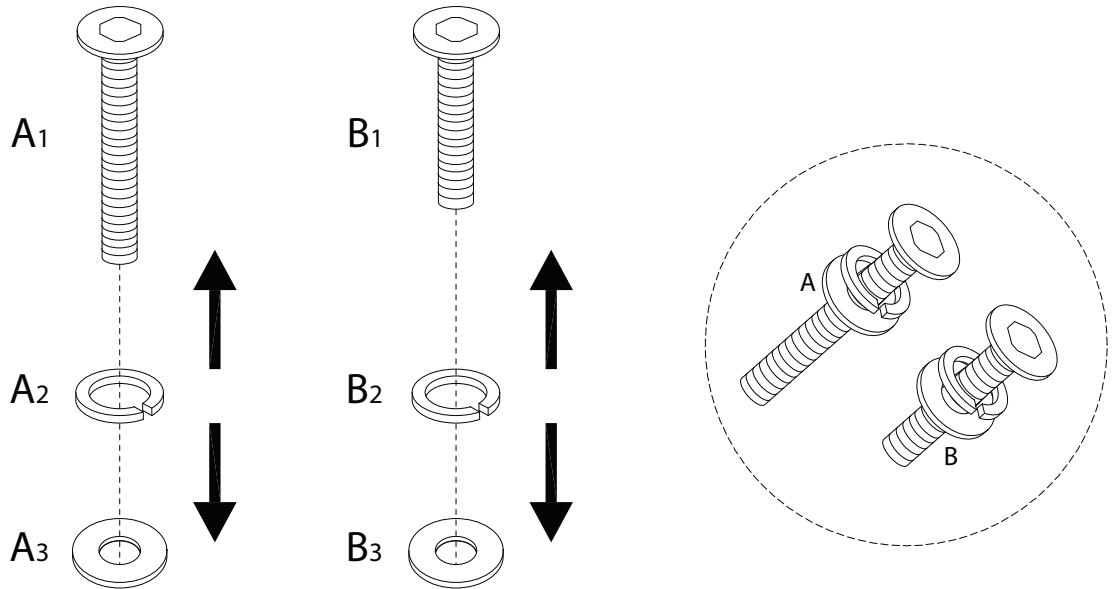
x 1

D



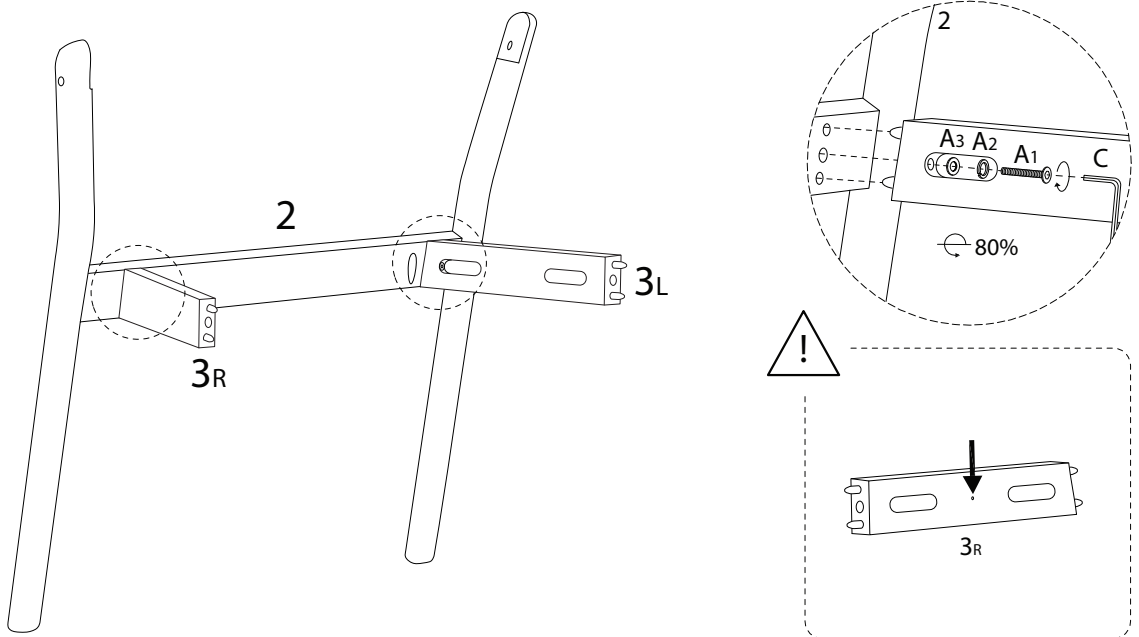
x 4

!

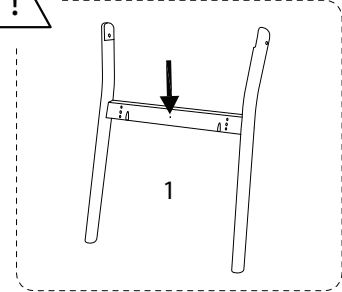
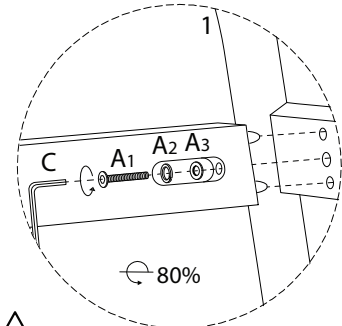
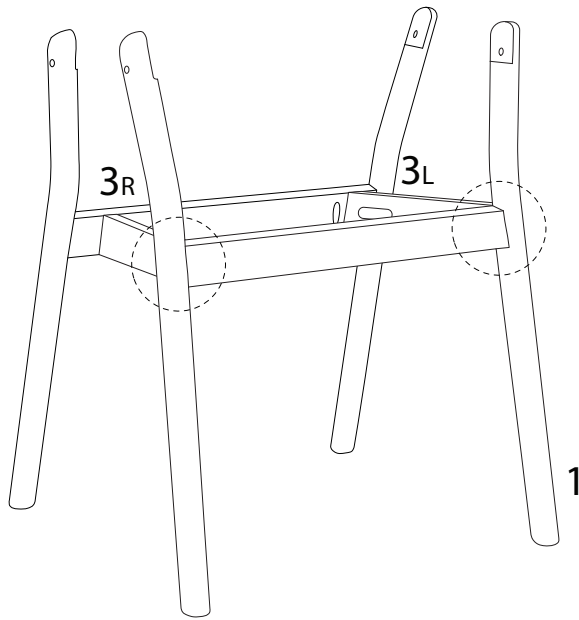
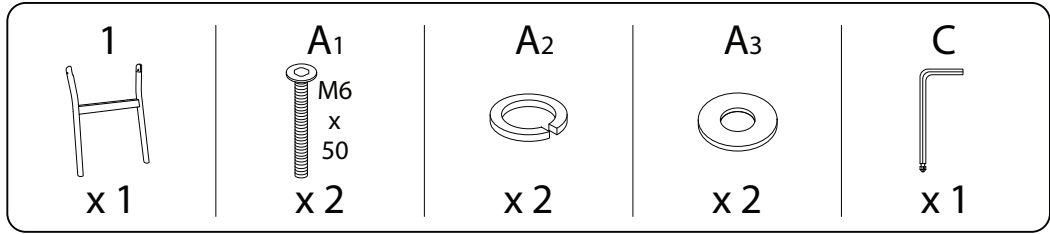


1

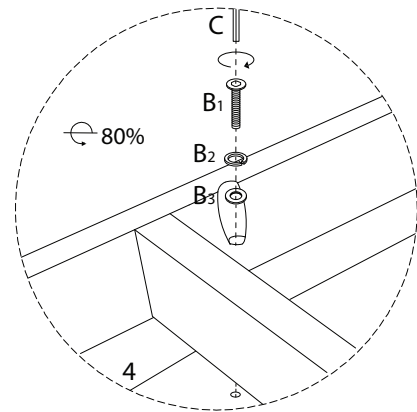
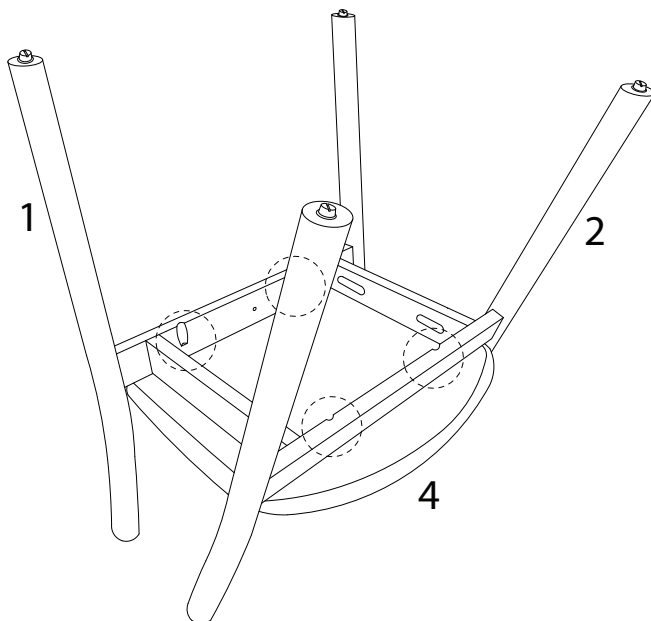
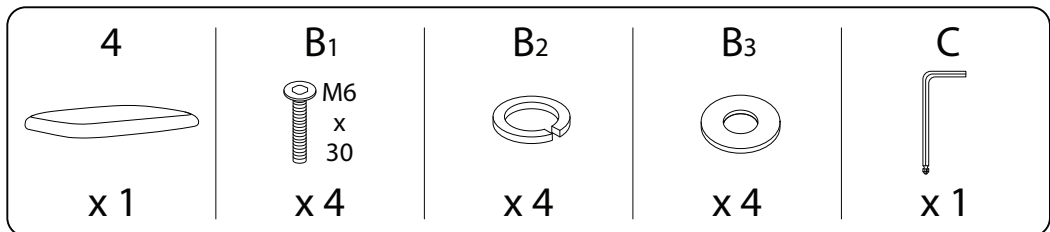
 2 x 1	 3L x 1	 3R x 1	 A1 M6 x 50 x 2	 A2 x 2	 A3 x 2	 C x 1
--------------	---------------	---------------	--------------------------------	---------------	---------------	--------------




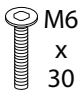
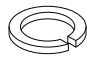



2

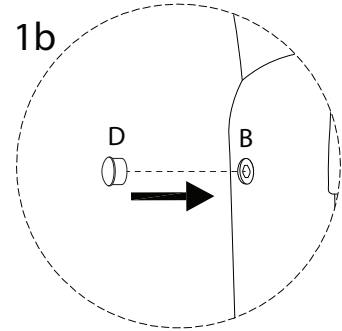
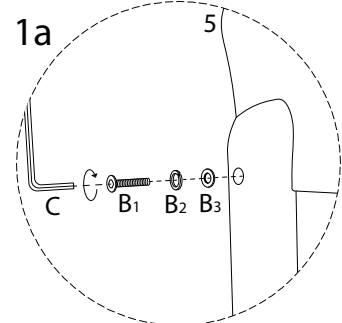
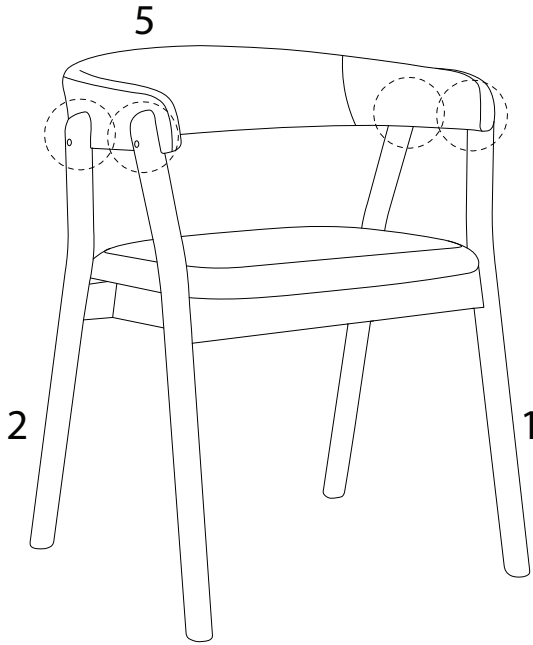


3

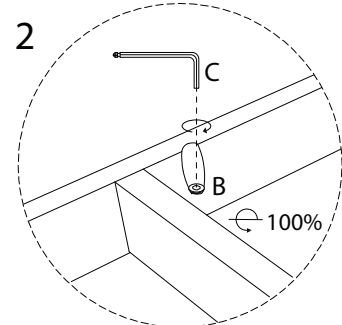
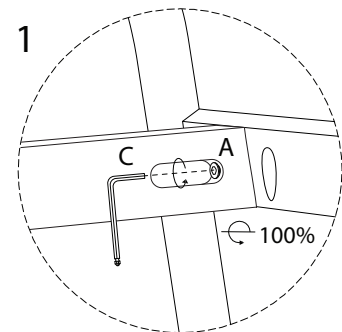
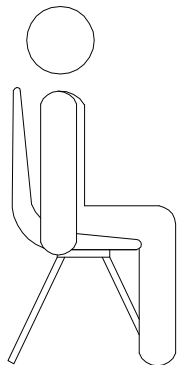


4

<p>5</p>  <p>x 1</p>	<p>B1</p>  <p>M6 x 30</p> <p>x 4</p>	<p>B2</p>  <p>x 4</p>	<p>B3</p>  <p>x 4</p>	<p>C</p>  <p>x 1</p>	<p>D</p>  <p>x 4</p>
---	---	--	---	---	---



5



6

