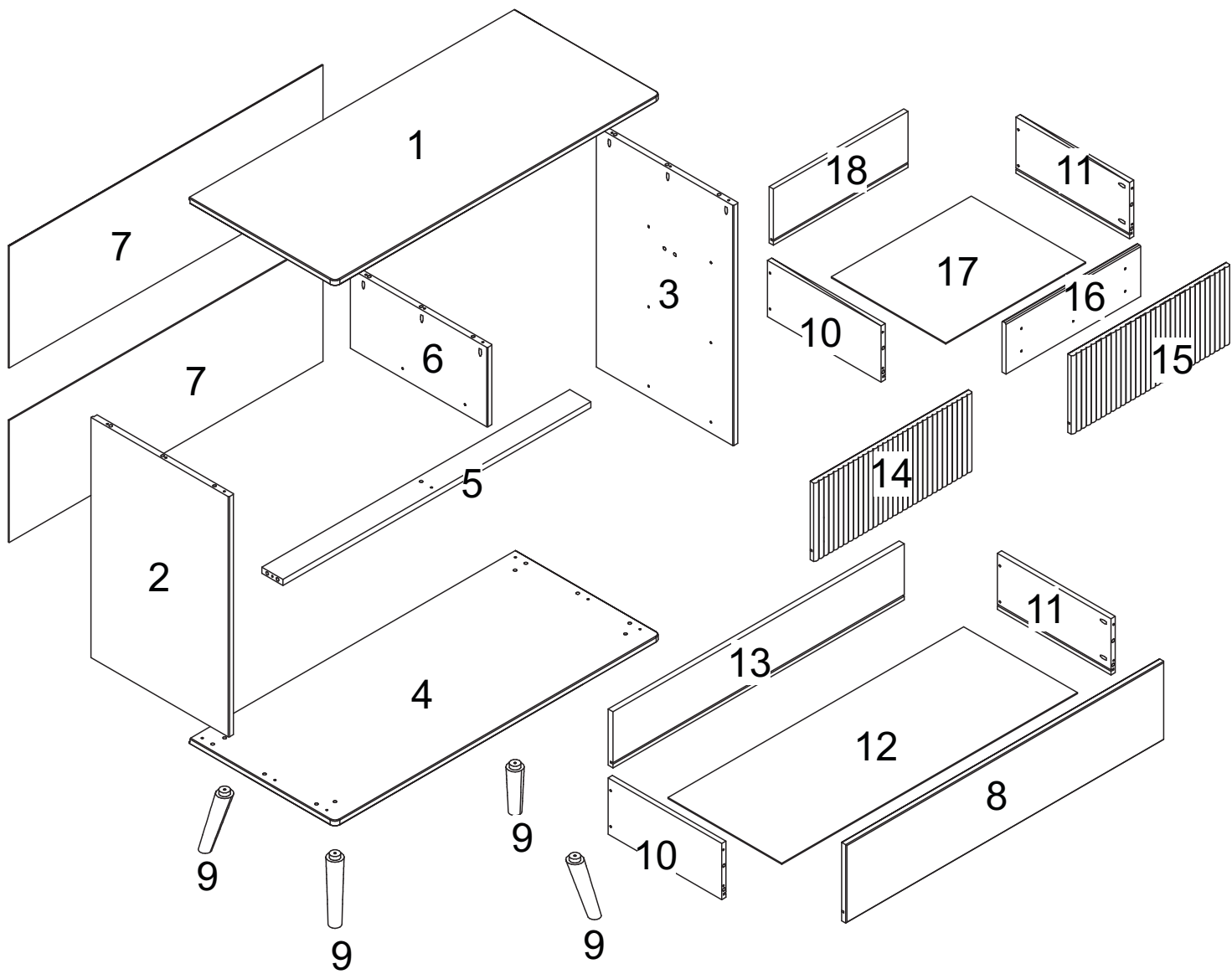
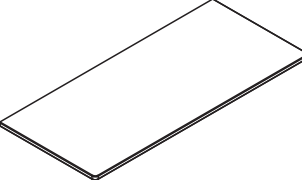
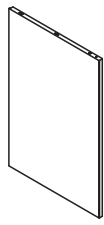

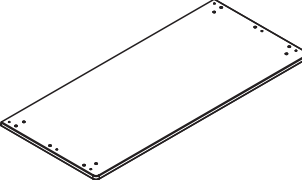
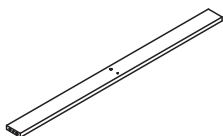
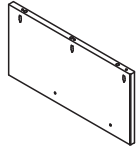
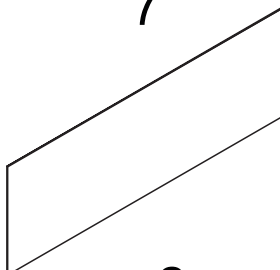
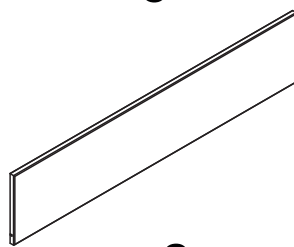

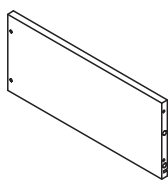
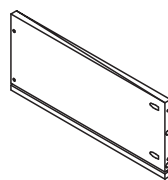
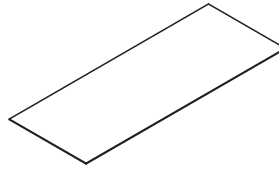
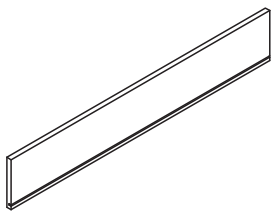
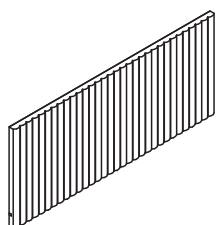
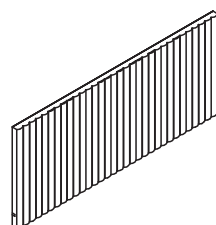
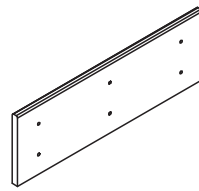
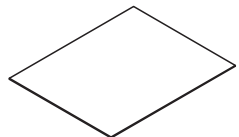
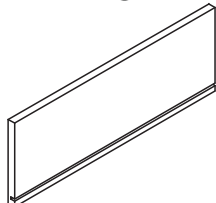


90'

2



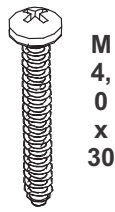
<p>1</p>  <p>x 1</p>	<p>2</p>  <p>x 1</p>	<p>3</p>  <p>x 1</p>	<p>4</p>  <p>x 1</p>
<p>5</p>  <p>x 1</p>	<p>6</p>  <p>x 1</p>	<p>7</p>  <p>x 2</p>	<p>8</p>  <p>x 2</p>
<p>9</p>  <p>x 4</p>	<p>10</p>  <p>x 4</p>	<p>11</p>  <p>x 4</p>	<p>12</p>  <p>x 2</p>
<p>13</p>  <p>x 2</p>	<p>14</p>  <p>x 1</p>	<p>15</p>  <p>x 1</p>	<p>16</p>  <p>x 2</p>
<p>17</p>  <p>x 2</p>	<p>18</p>  <p>x 2</p>		

A



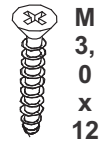
x 36

B



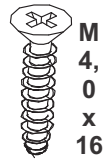
x 43

C



x 44

D



x 1

E



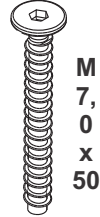
x 7

F



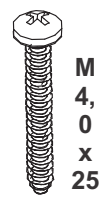
x 1

G



x 4

H



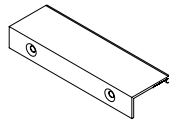
x 12

I



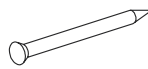
x 16

J



x 6

K



x 32

L



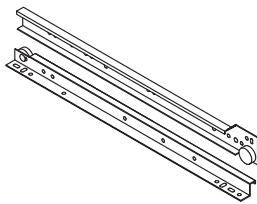
x 1

M



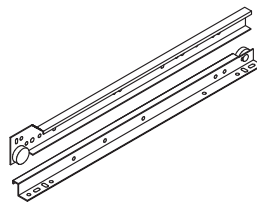
x 2

N



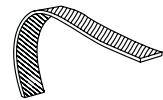
x 4

O



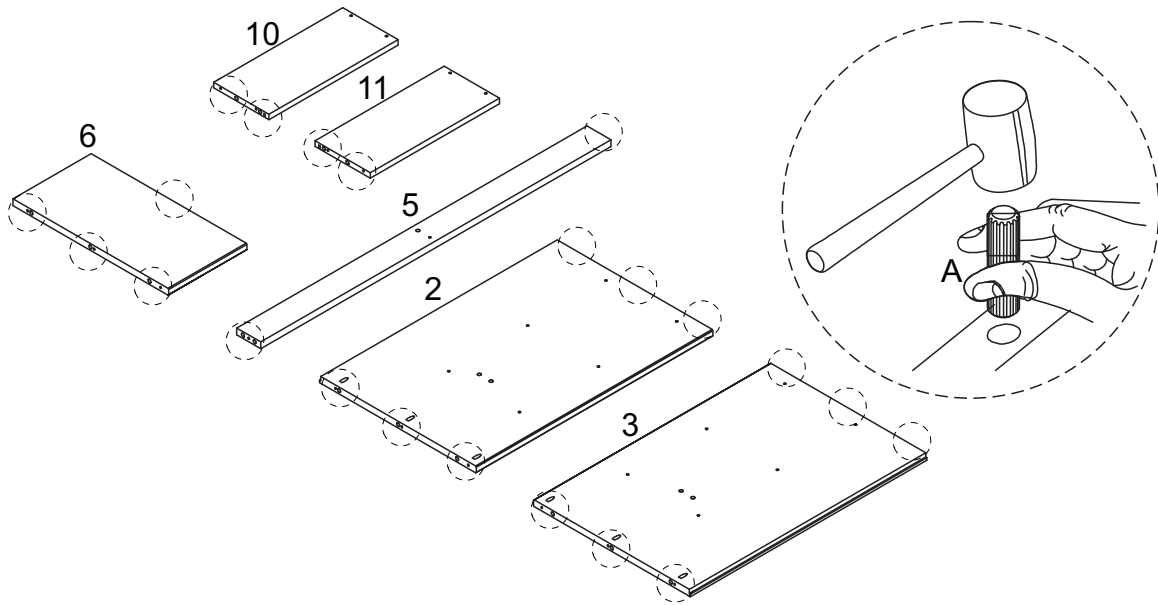
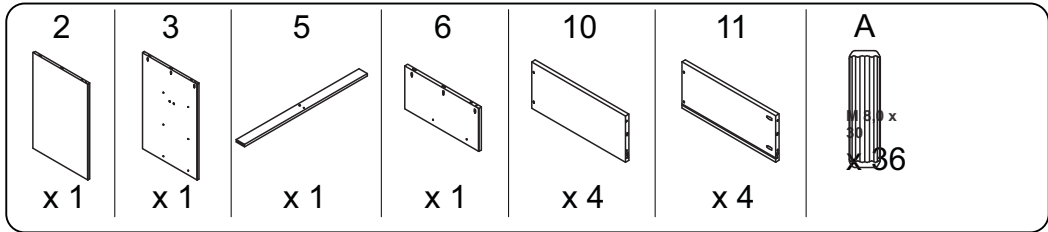
x 4

P

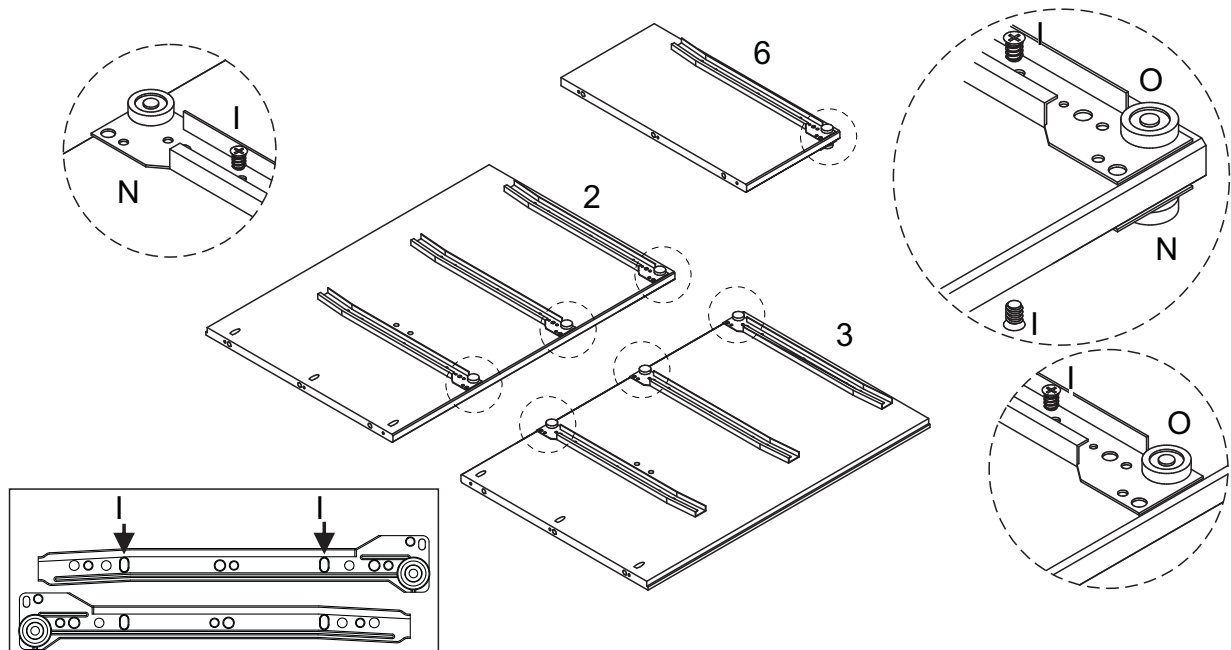
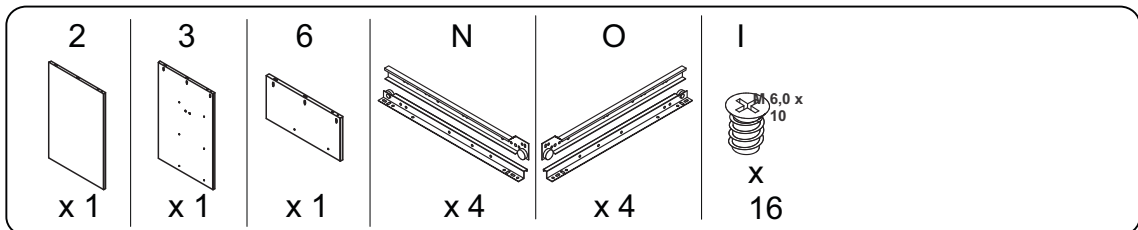


x 1

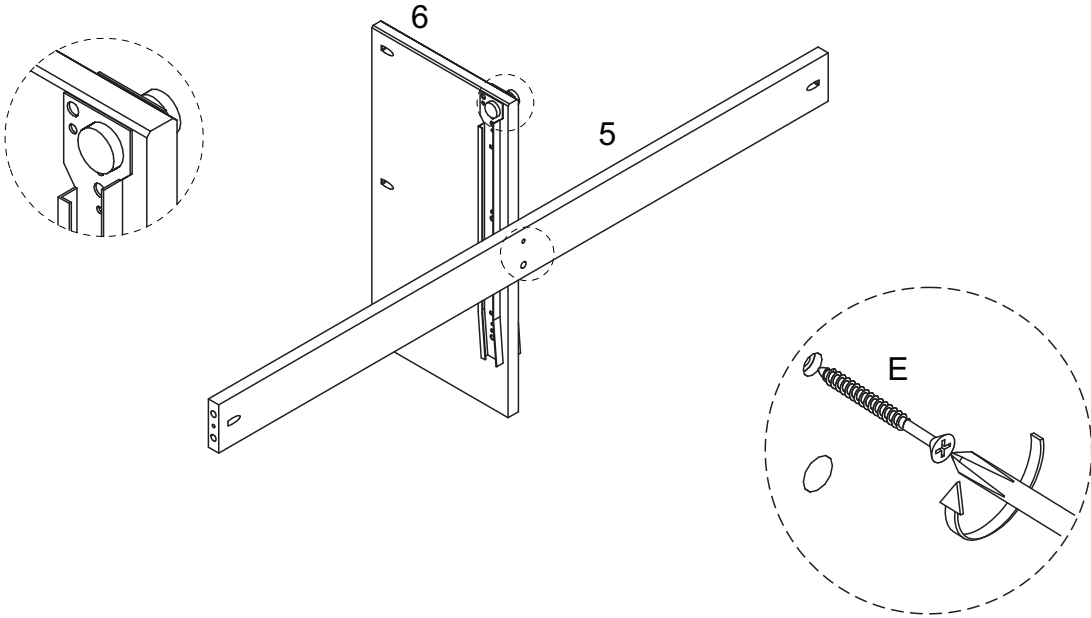
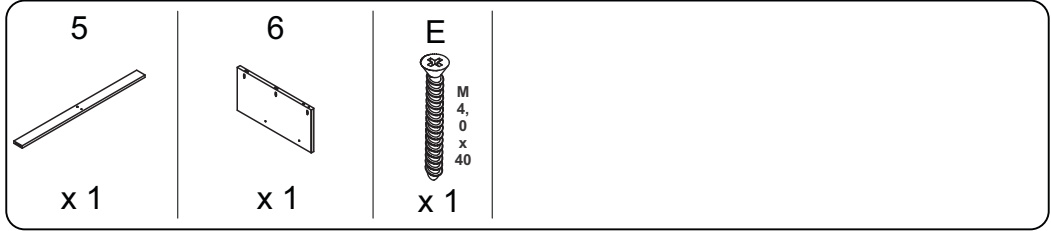
1



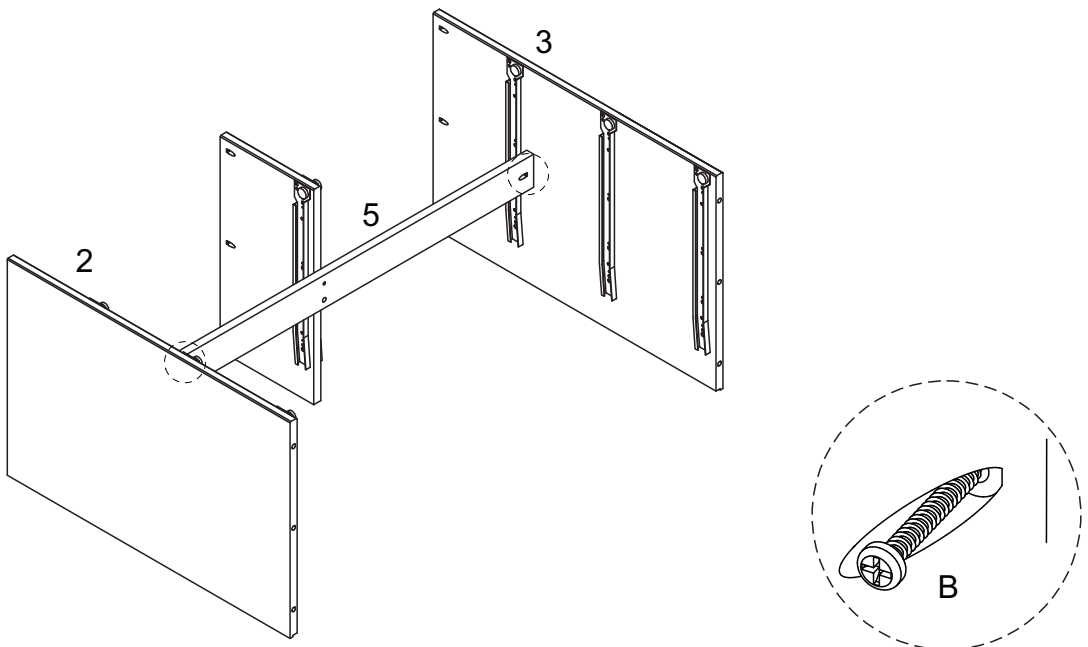
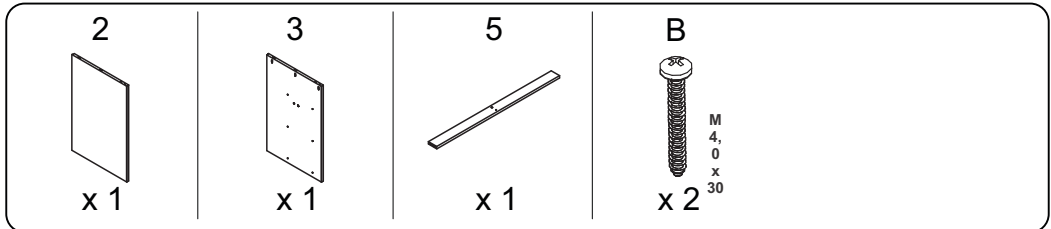
2



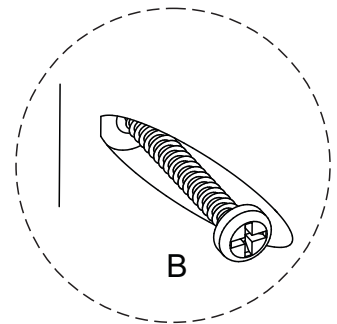
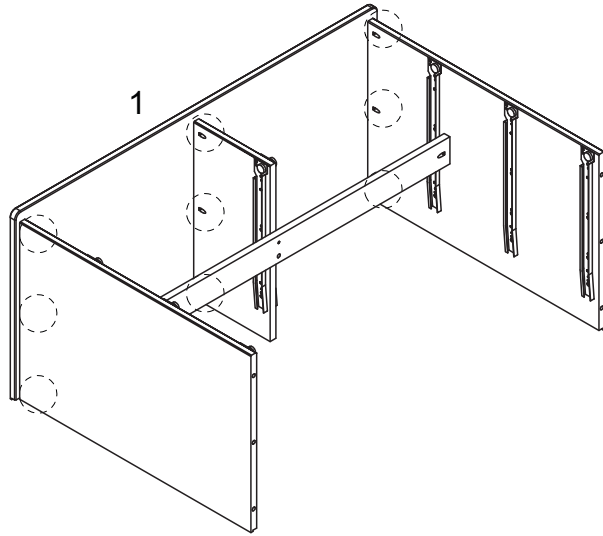
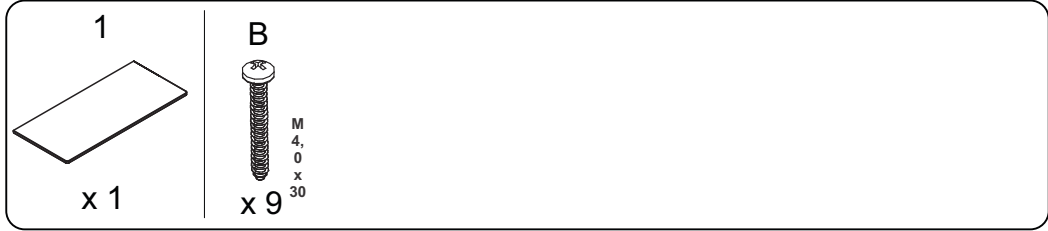
3



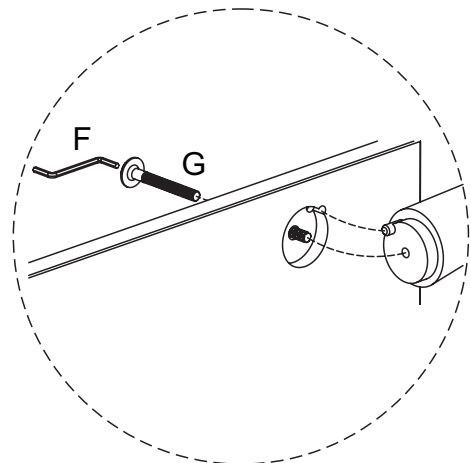
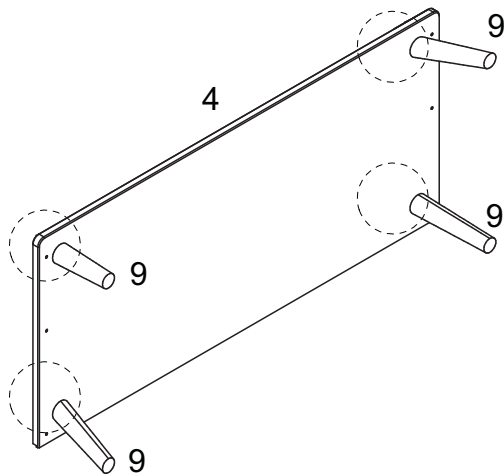
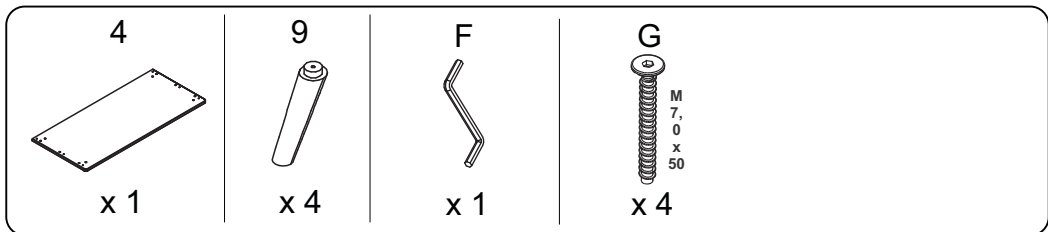
4



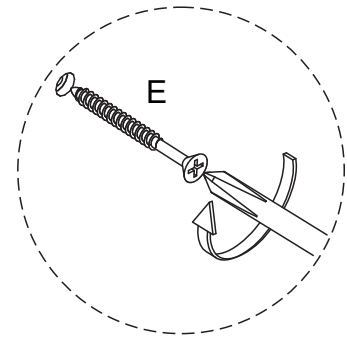
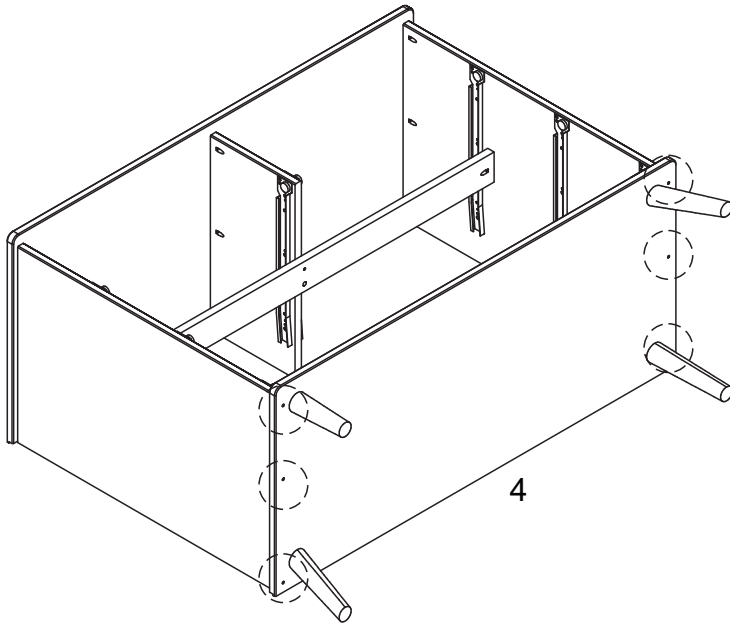
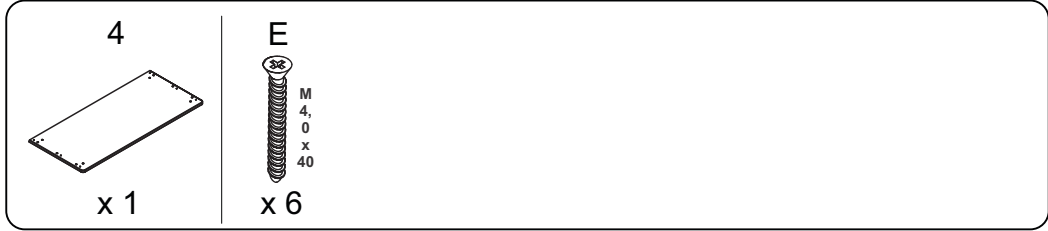
5



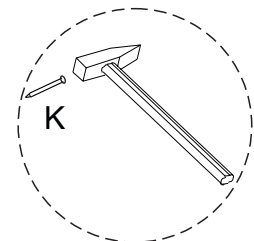
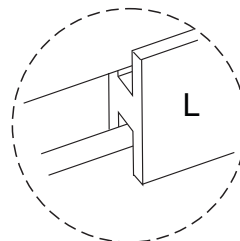
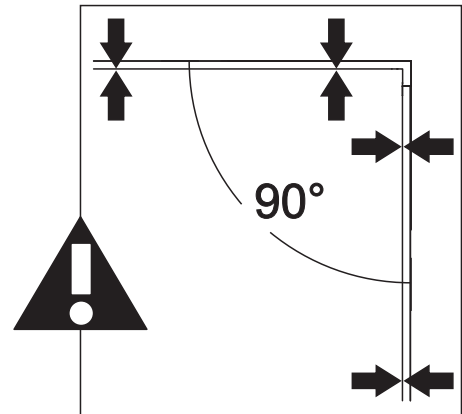
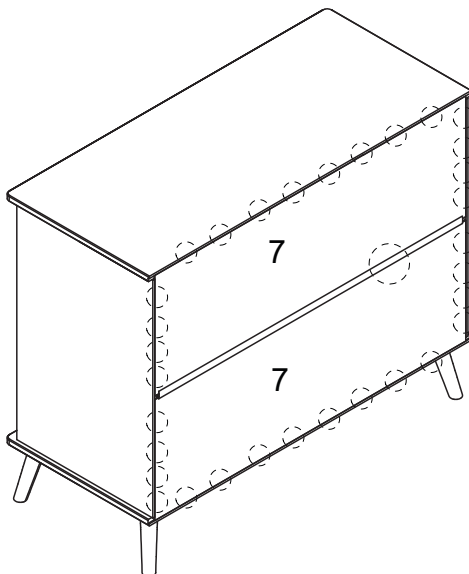
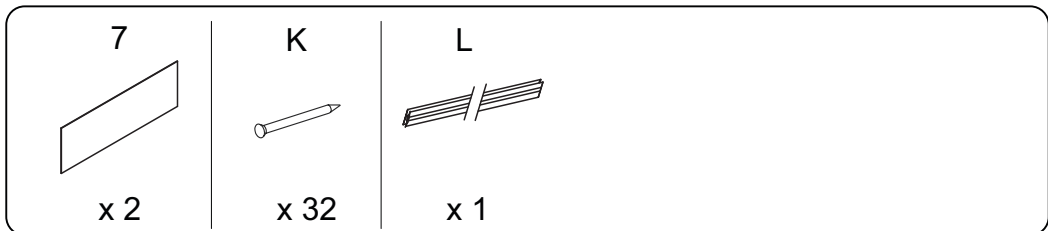
6



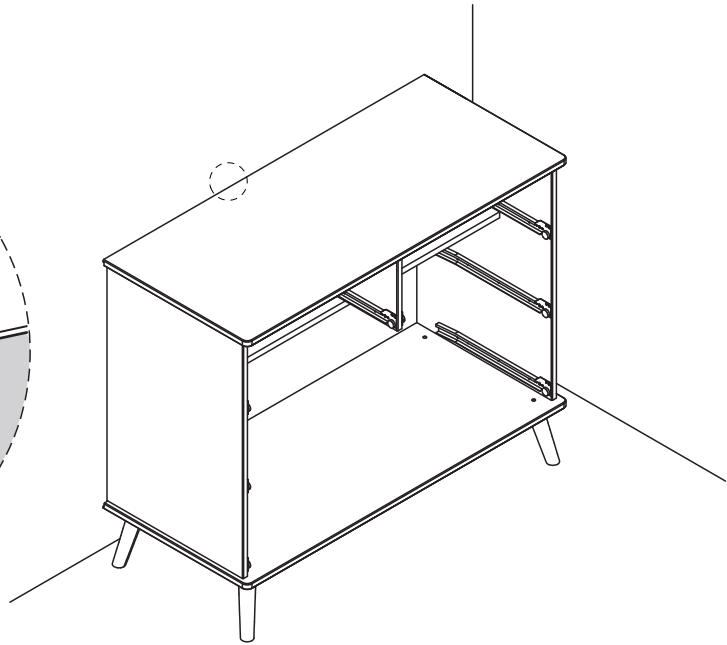
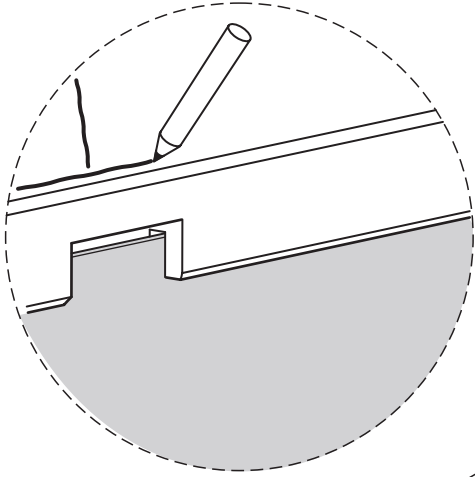
7



8



9



10

M

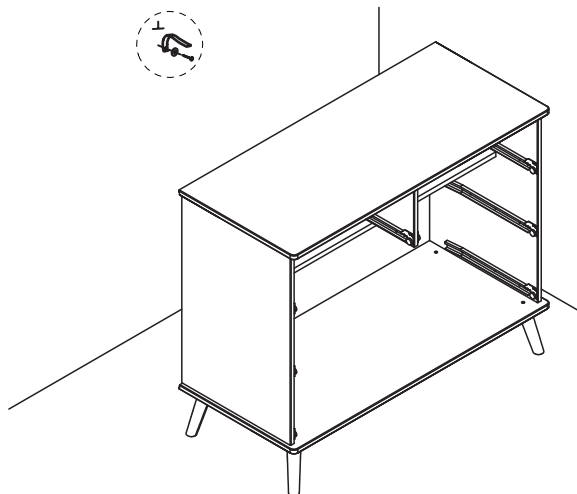
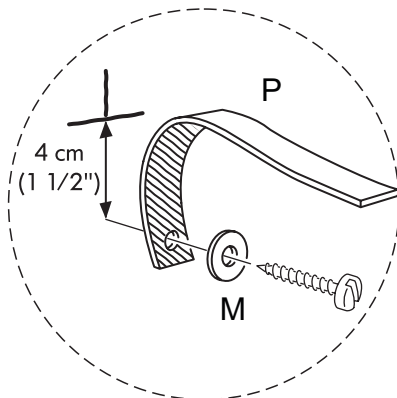
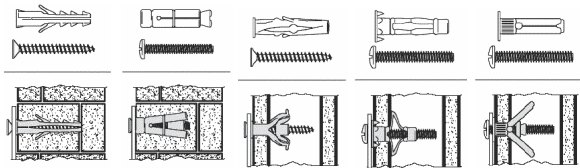
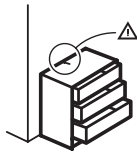
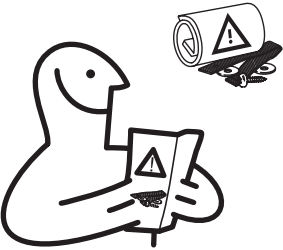


x 1

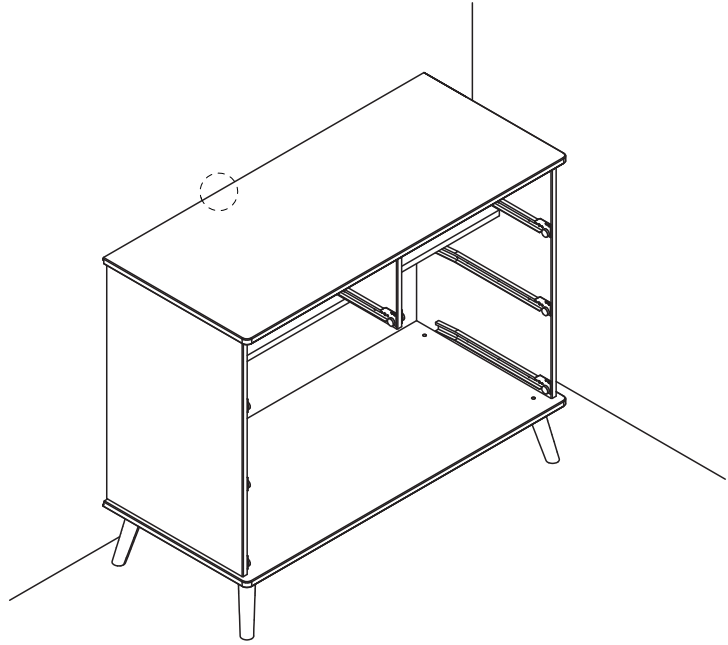
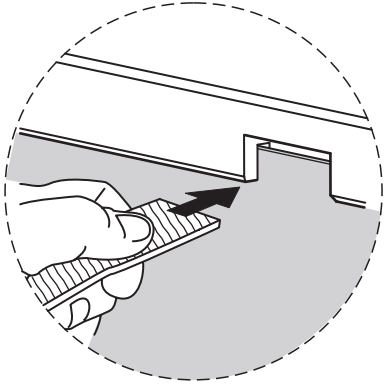
P





x 1

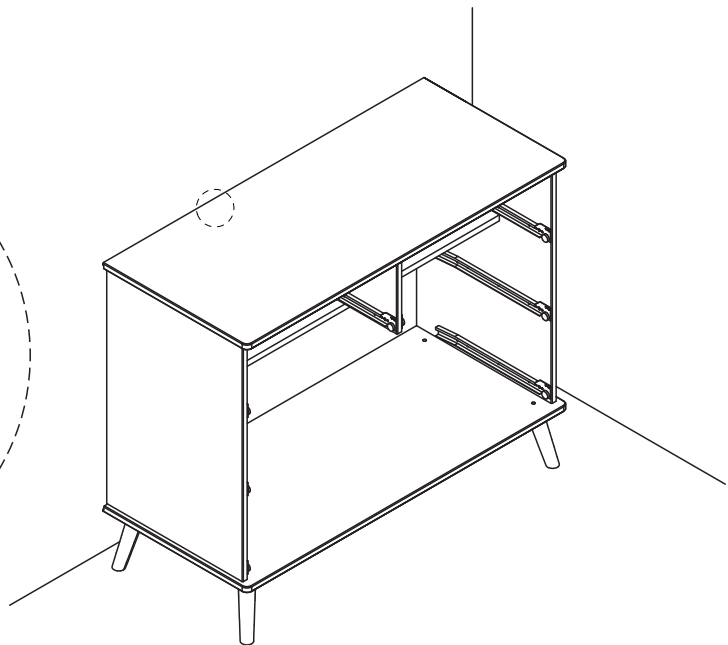
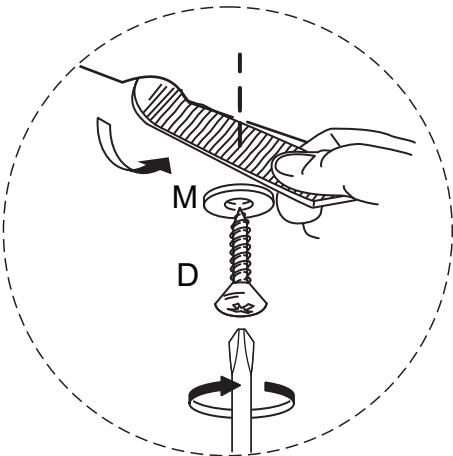


11

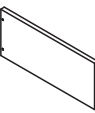
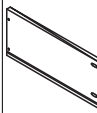
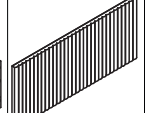
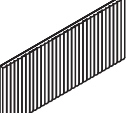
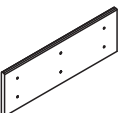
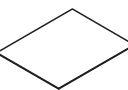
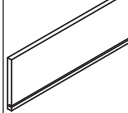

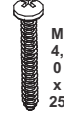


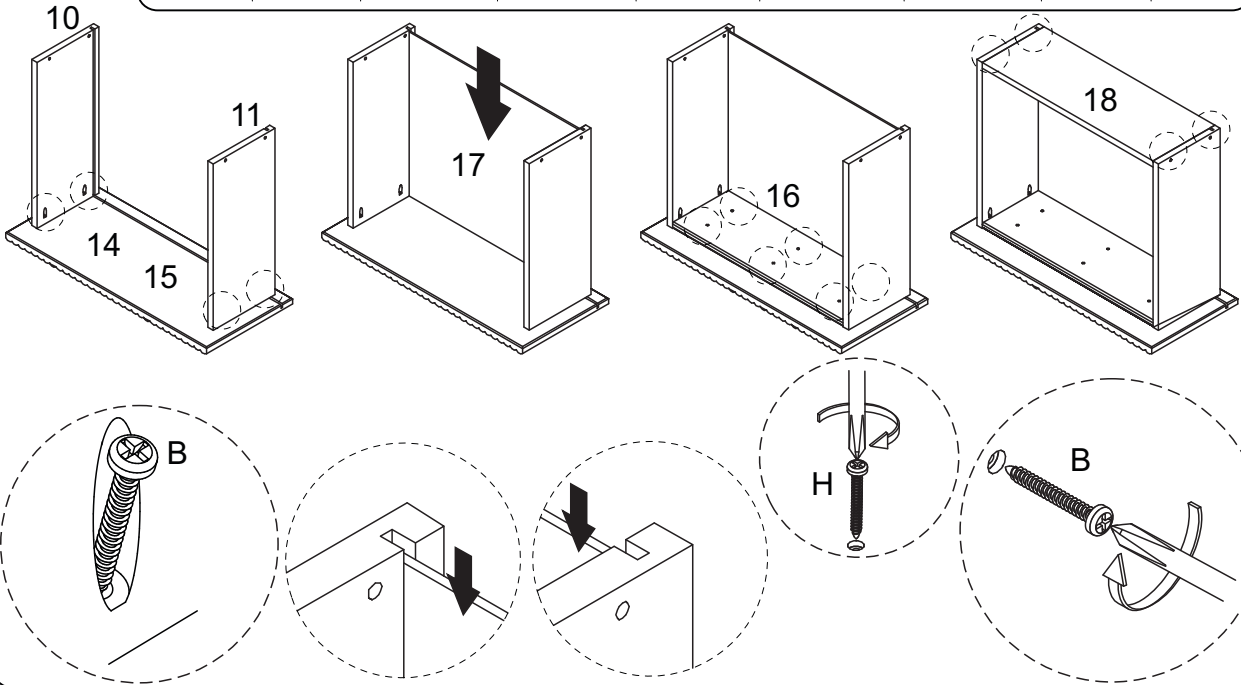
12

D	M
 M, 4, 0 x 16	
x 1	x 1

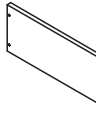
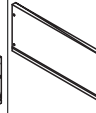

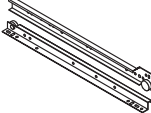
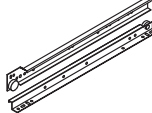


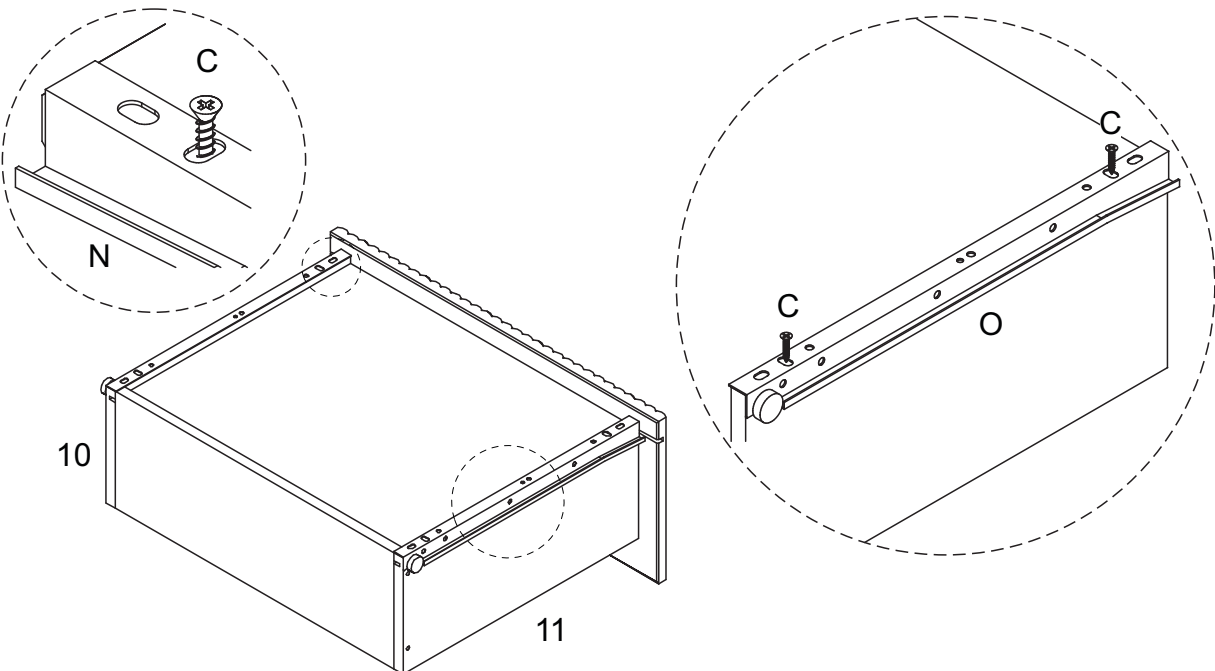
13

10  x 2	11  x 2	14  x 1	15  x 1	16  x 2	17  x 2	18  x 2	B  M 4,0 x 30 x 16	H  M 4,0 x 25 x 12
--	--	--	--	--	---	--	--	--


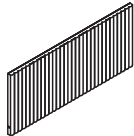
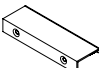



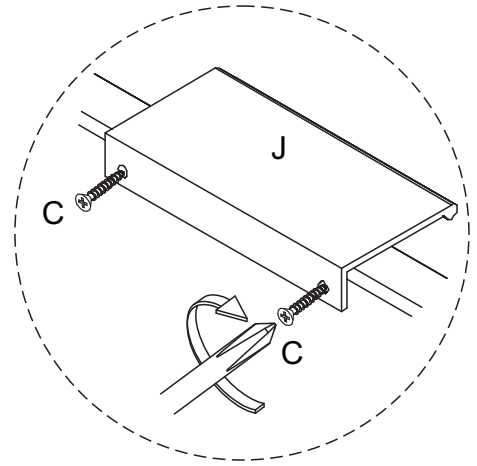
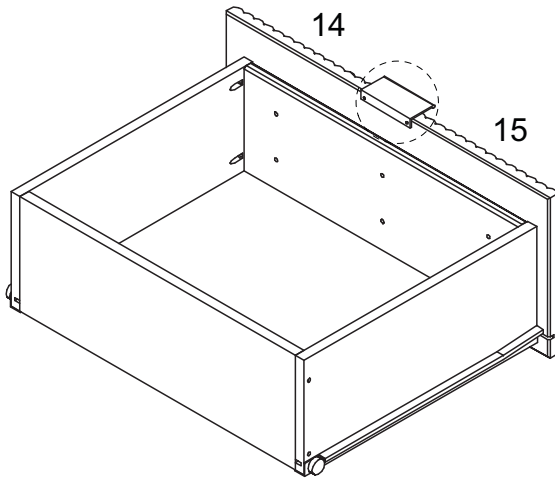
14

10  x 2	11  x 2	C  M 3,0 x 12 x 8	N  x 2	O  x 2
--	--	---	---	--


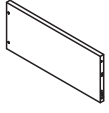
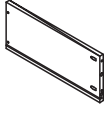
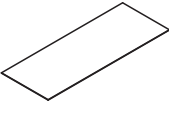




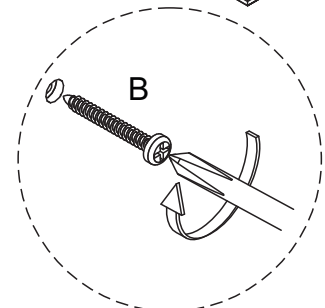
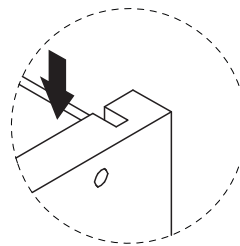
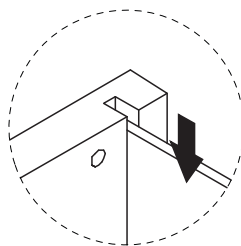
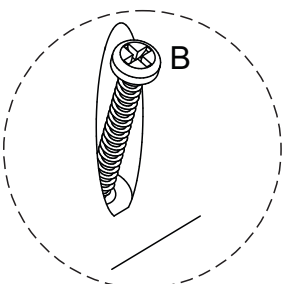
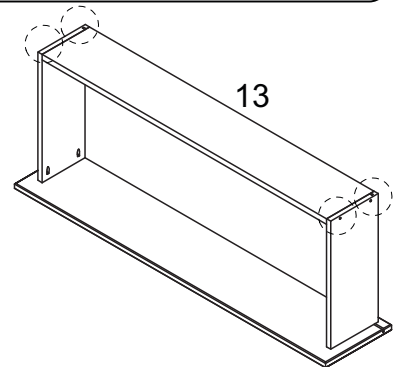
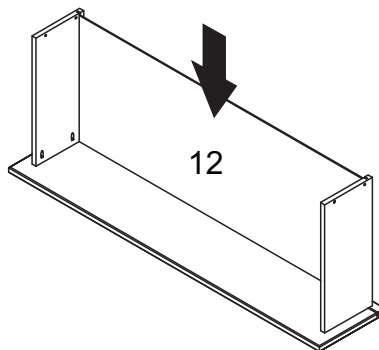
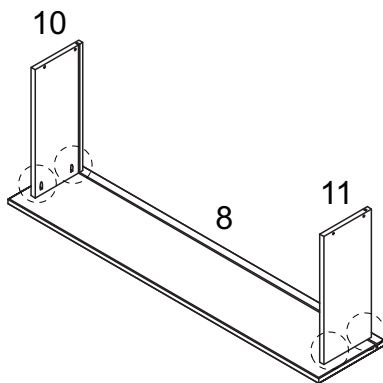
15

14  x 1	15  x 1	J  x 2	C  M 3,0 x 12 x 4
--	--	---	--

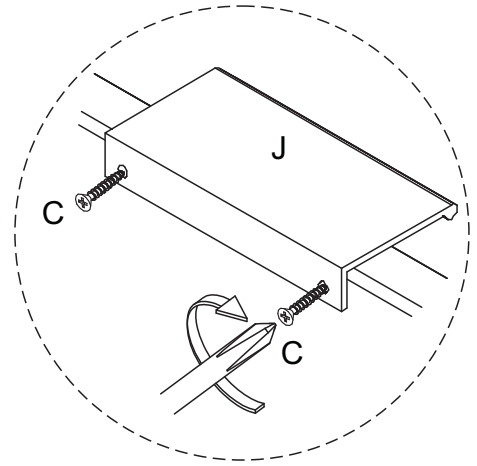
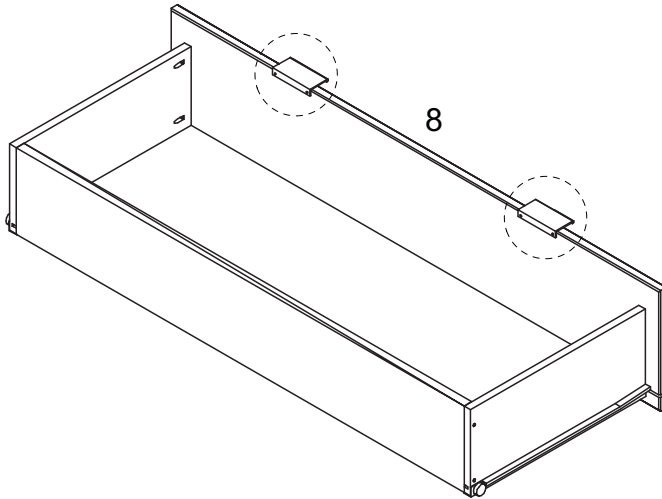
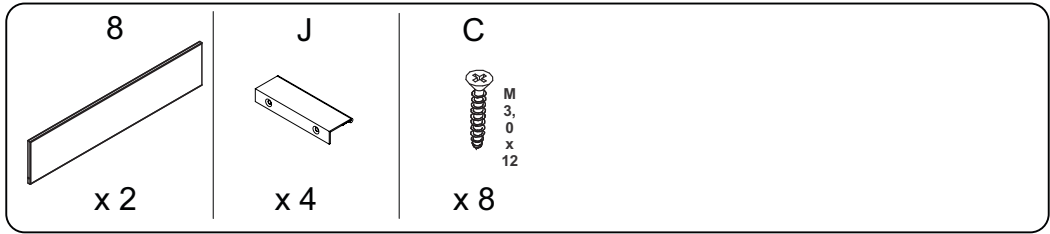


16

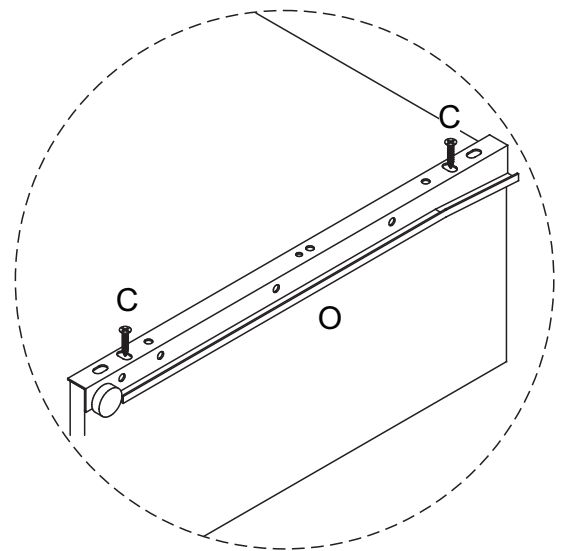
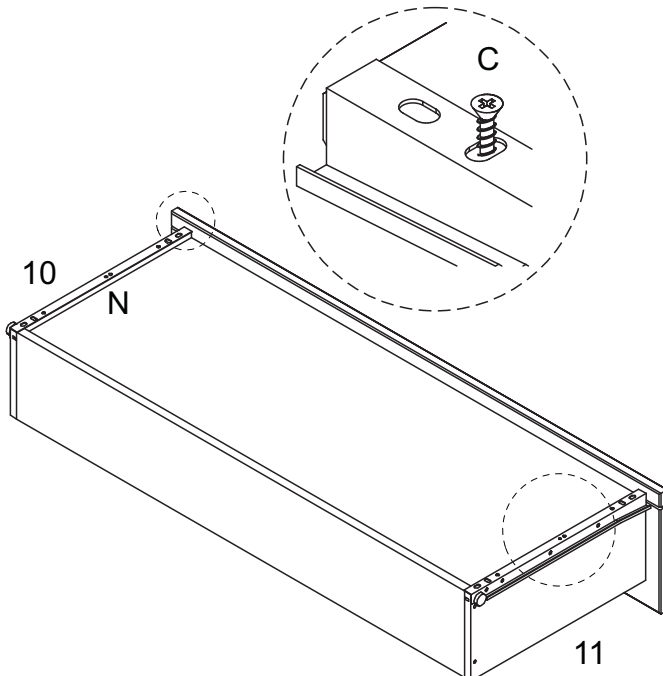
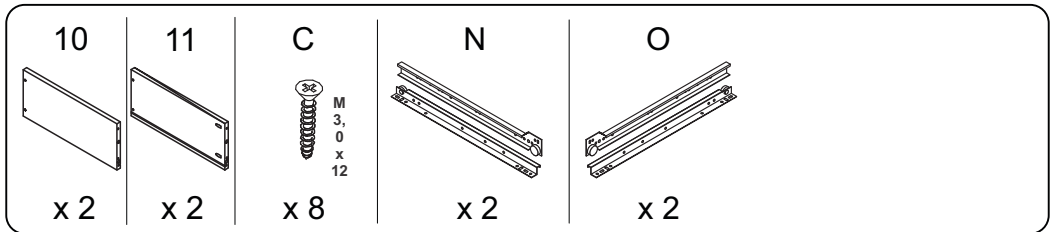
8  x 2	10  x 4	11  x 4	12  x 2	13  x 2	B  M 4,0 x 30 x 16
---	--	--	---	--	--



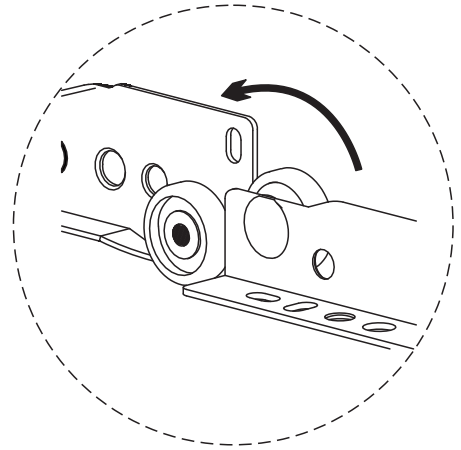
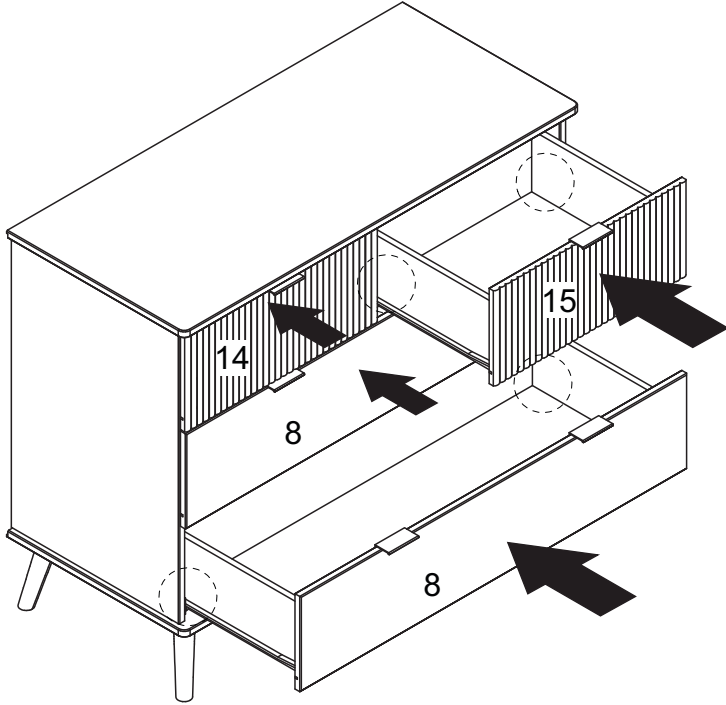
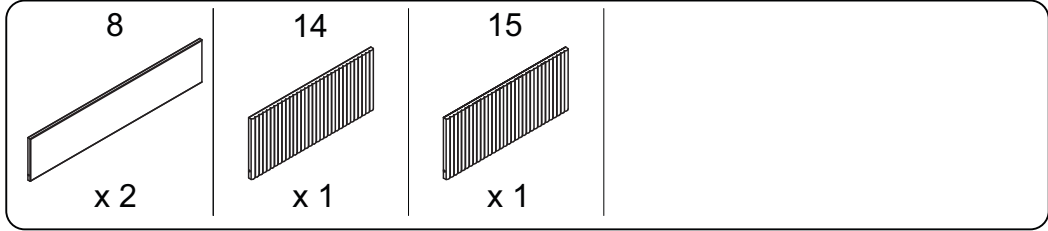
17



18



19



20

C



x 16

