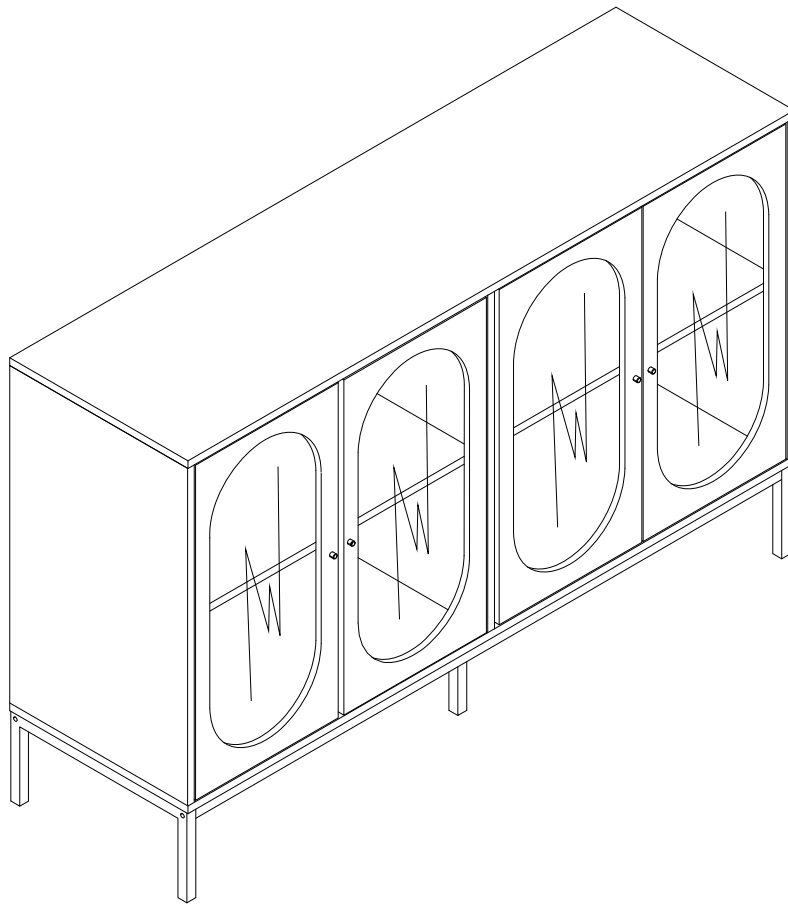


# LANGFORD



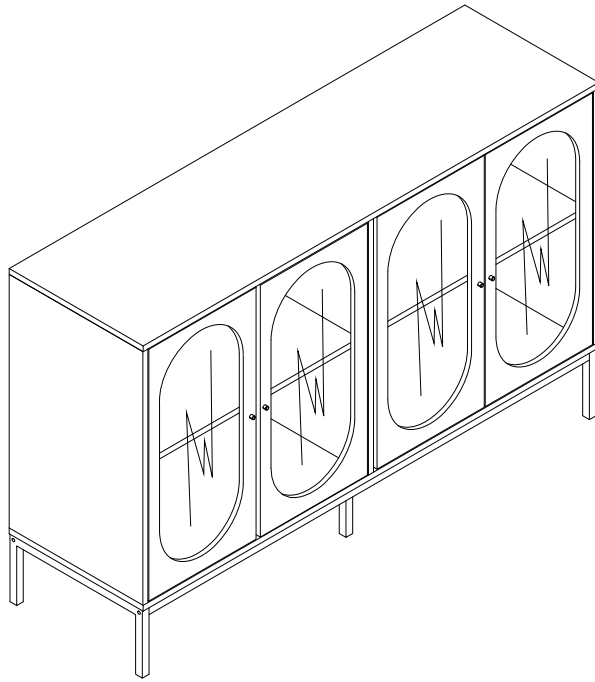
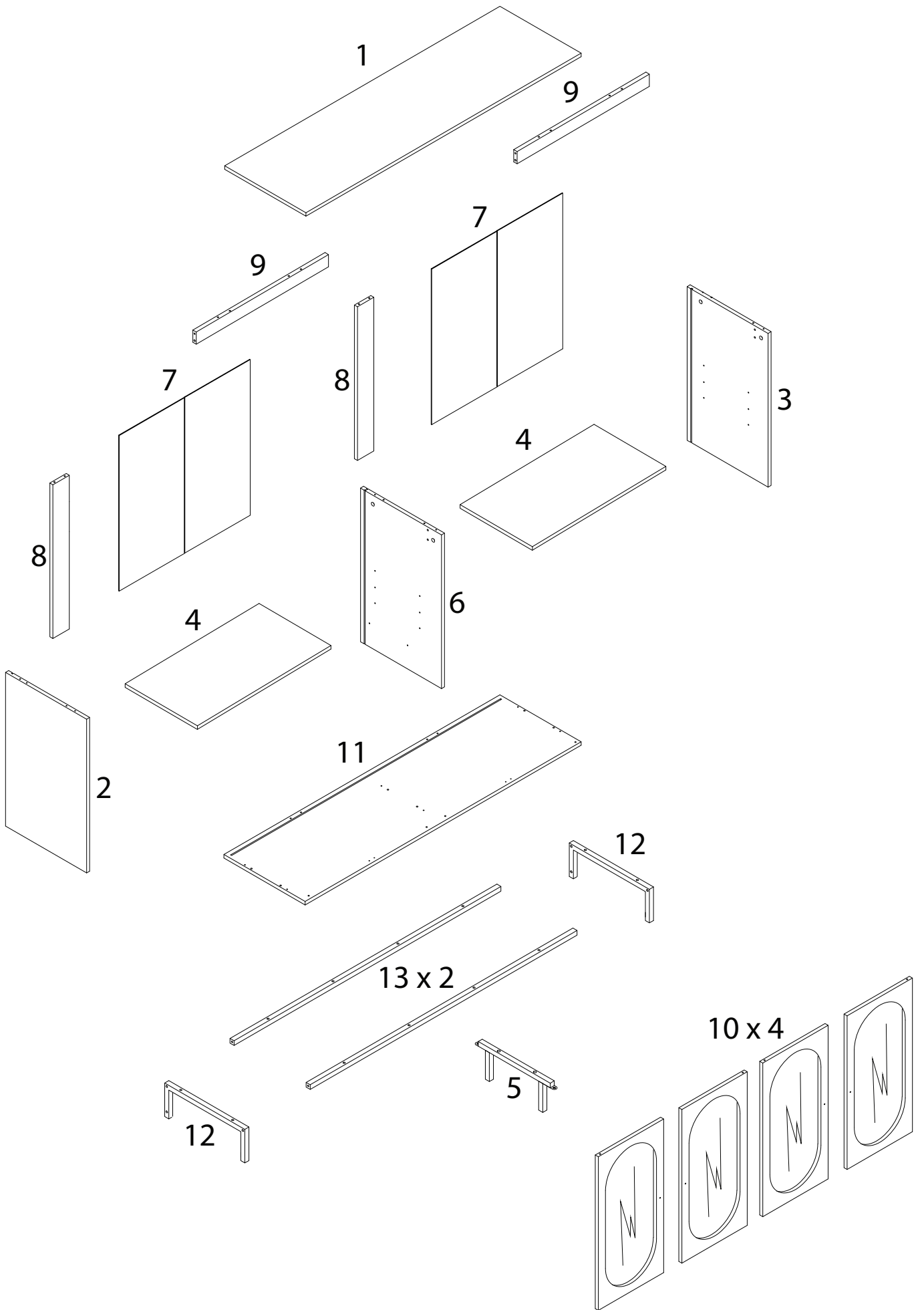


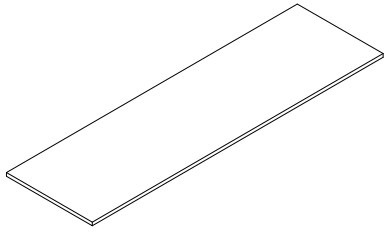
Diagram illustrating assembly steps and requirements:

- Step 1:** Requires a screwdriver and a power drill. Estimated time: 45 minutes. Includes a warning icon (exclamation mark in a triangle).
- Step 2:** Requires a person to assist. Includes a warning icon (exclamation mark in a triangle) and a person icon.

2



1



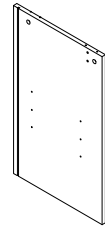
x 1

2



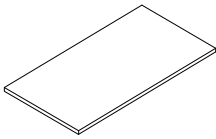
x 1

3



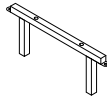
x 1

4



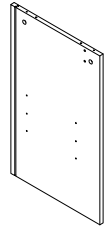
x 2

5



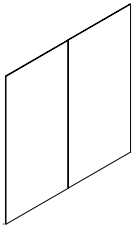
x 1

6



x 1

7



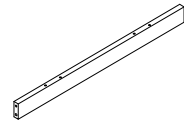
x 2

8



x 2

9



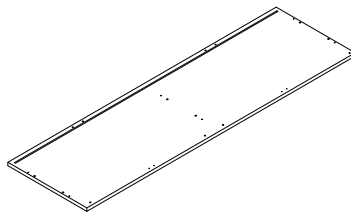
x 2

10



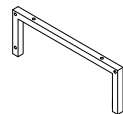
x 4

11



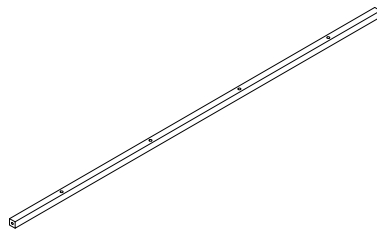
x 1

12


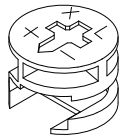

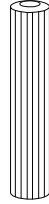
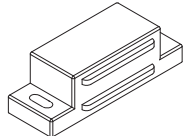
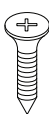
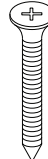

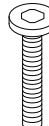
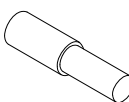


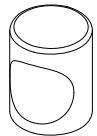
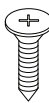
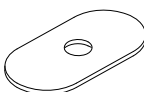
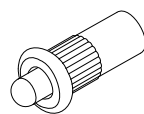
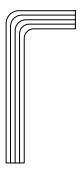
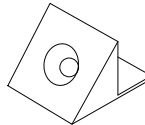
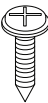



x 2

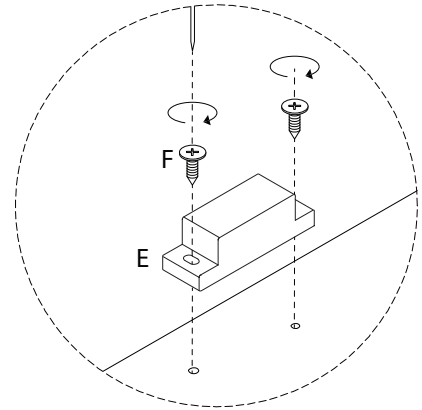
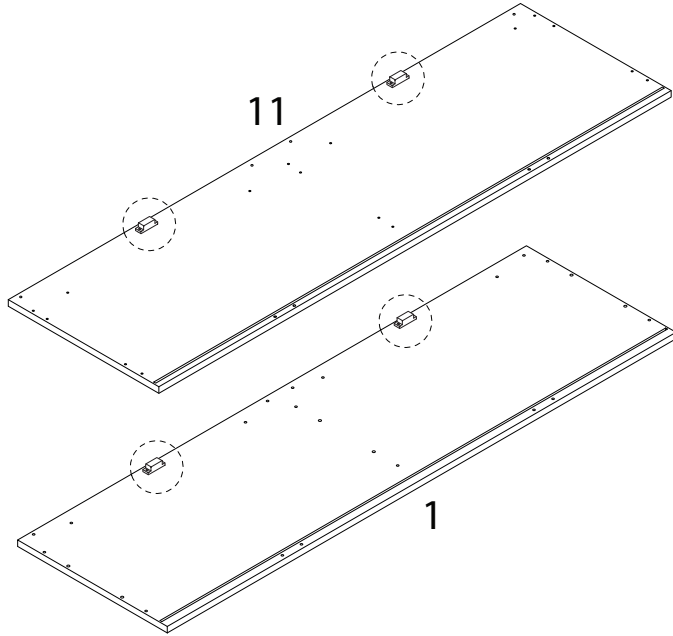
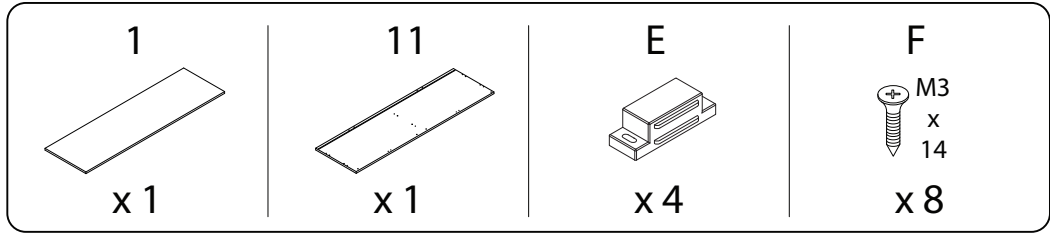
13



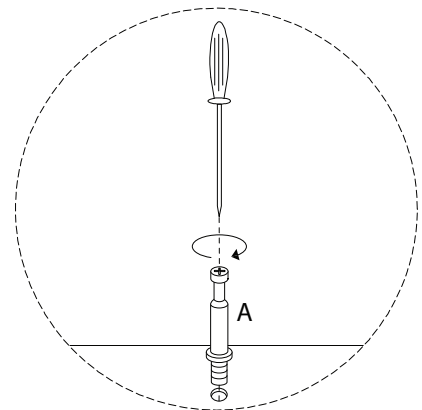
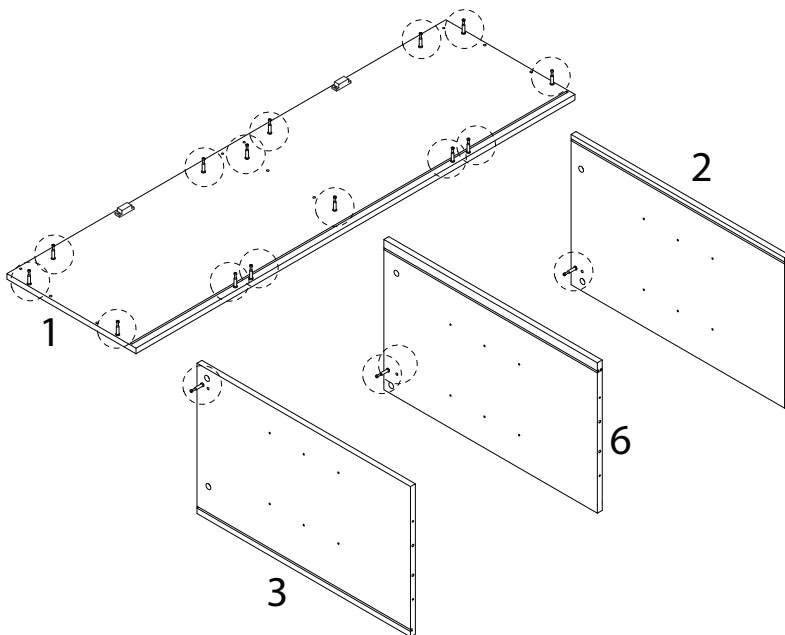
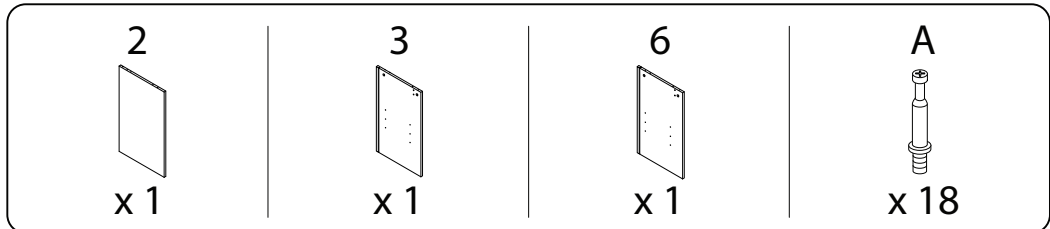
x 2

<p>A</p>  <p>x 18</p>	<p>B</p>  <p>x 18</p>	<p>C</p>  <p>M6 x 30</p> <p>x 14</p>	<p>D</p>  <p>M6 x 50</p> <p>x 1</p>
<p>E</p>  <p>x 4</p>	<p>F</p>  <p>M3 x 14</p> <p>x 16</p>	<p>G</p>  <p>M4 x 35</p> <p>x 12</p>	<p>H</p>  <p>M6 x 12</p> <p>x 2</p>
<p>I</p>  <p>M6 x 30</p> <p>x 18</p>	<p>J</p>  <p>x 8</p>	<p>K</p>  <p>x 2</p>	<p>L</p>  <p>M4 x 18</p> <p>x 4</p>
<p>M</p>  <p>x 4</p>	<p>N</p>  <p>M3 x 12</p> <p>x 8</p>	<p>O</p>  <p>x 8</p>	<p>P</p>  <p>x 8</p>
<p>Q</p>  <p>x 1</p>	<p>R</p>  <p>x 8</p>	<p>S</p>  <p>M4 x 14</p> <p>x 2</p>	<p>T</p>  <p>x 2</p>

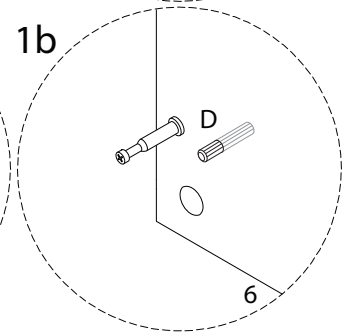
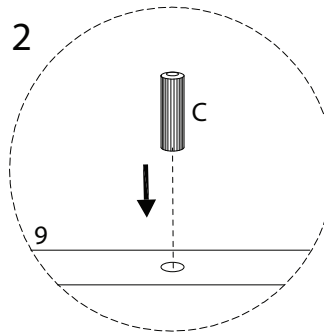
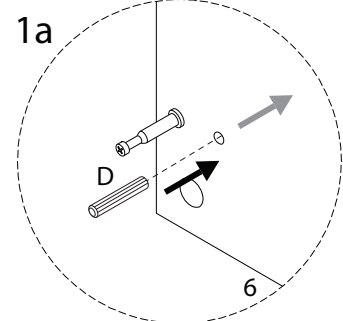
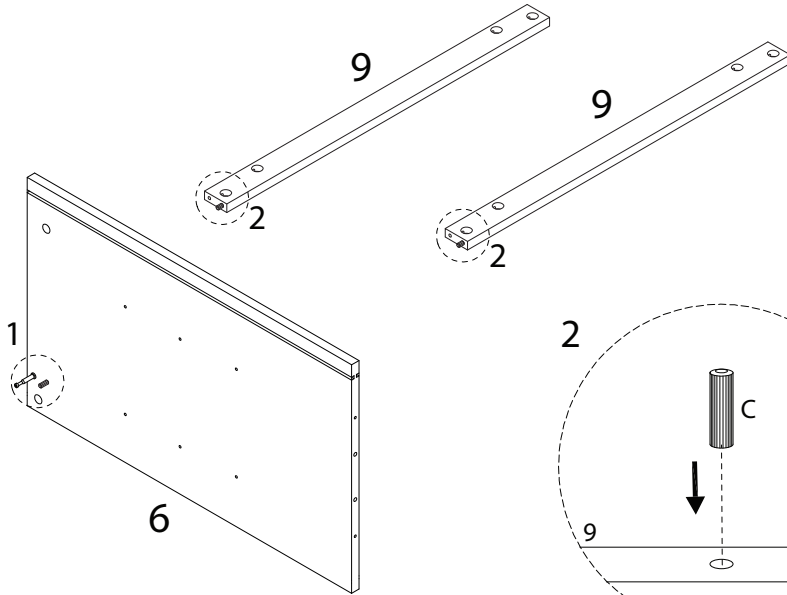
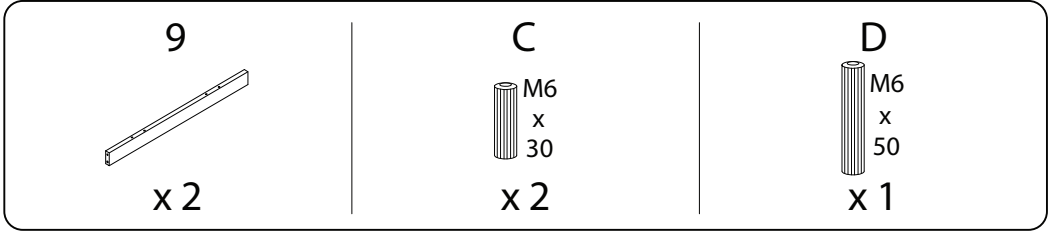
1



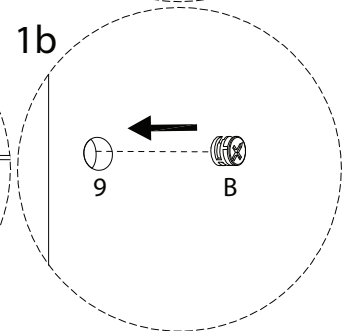
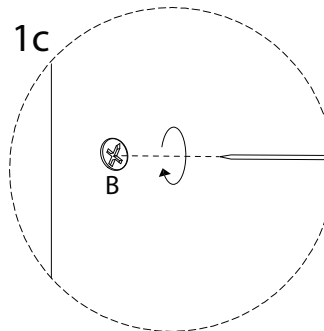
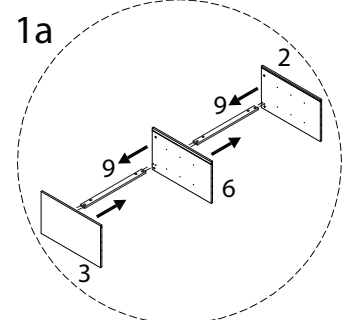
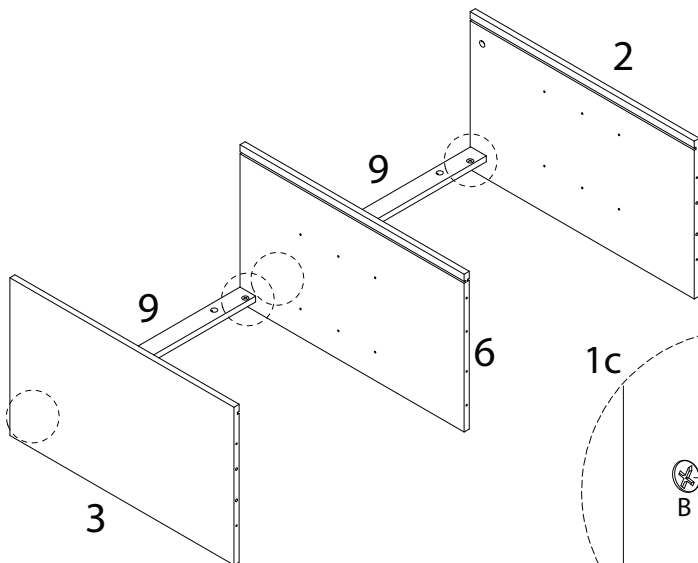
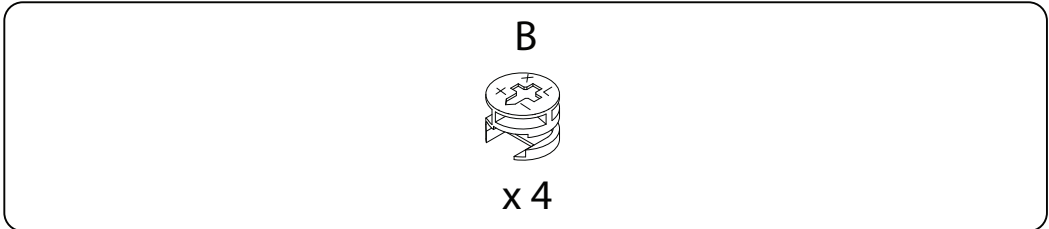
2



3



4

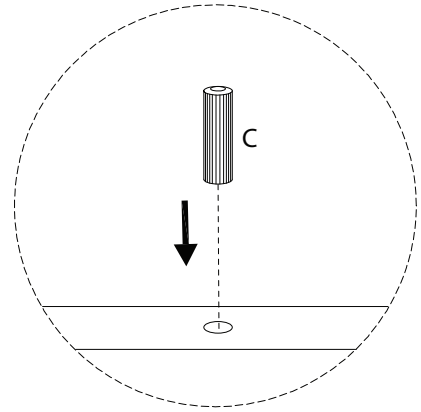
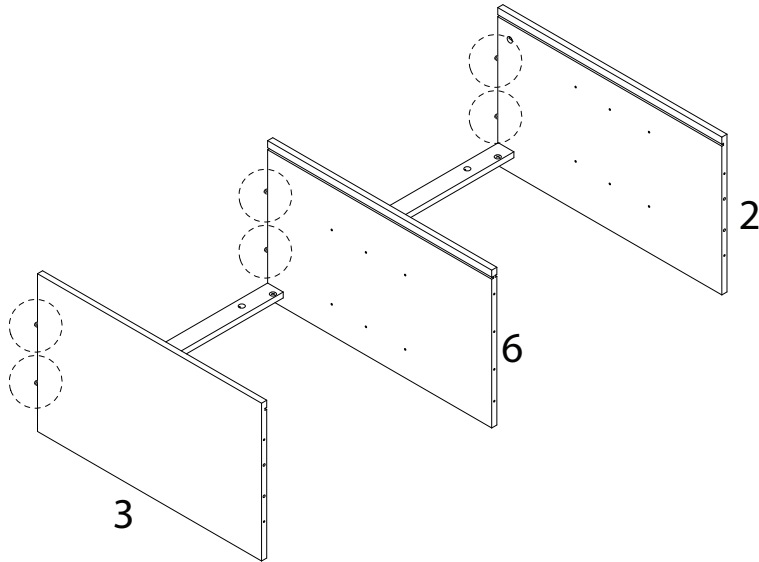


5

C



x 6

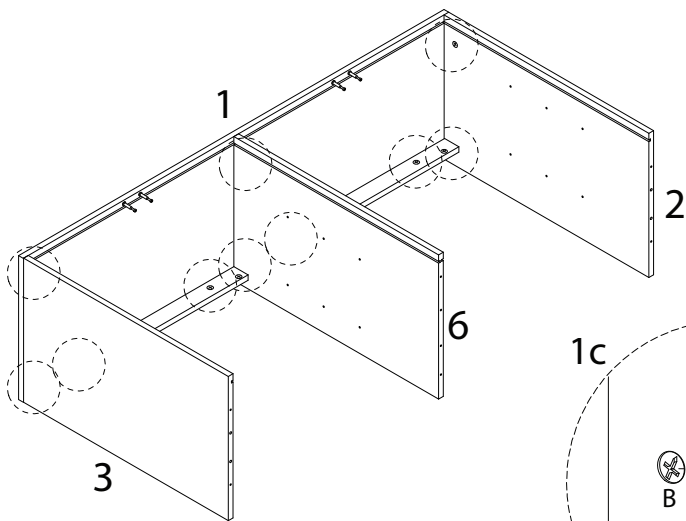


6

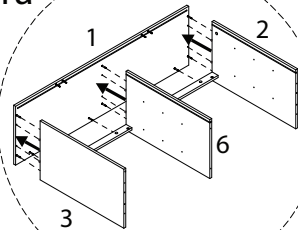
B



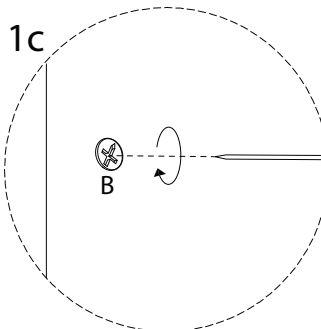
x 10



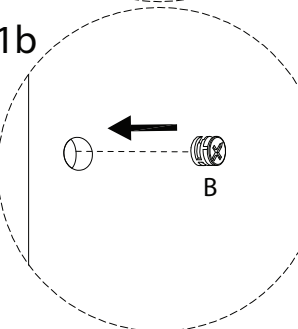
1a



1c

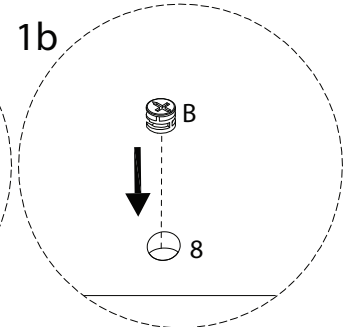
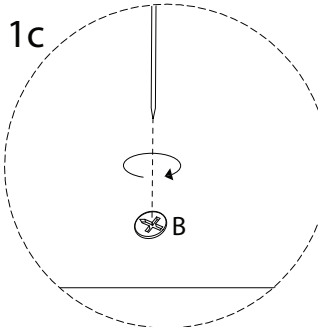
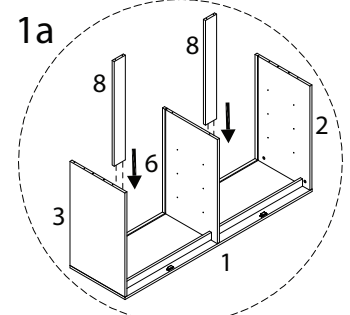
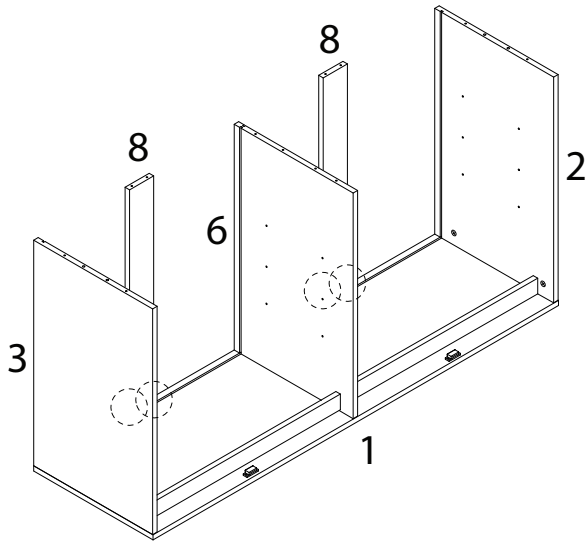
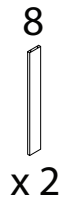


1b

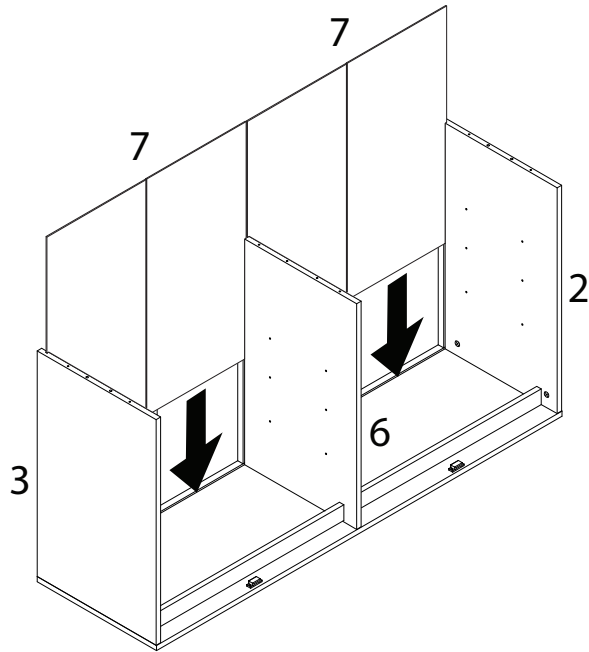
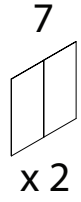




7



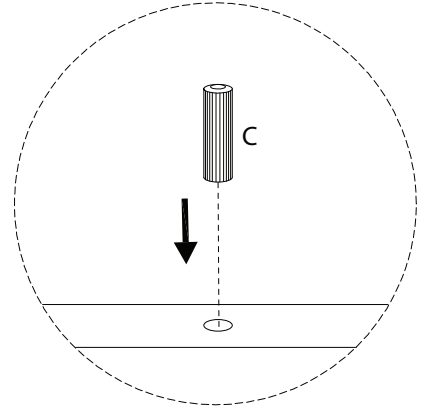
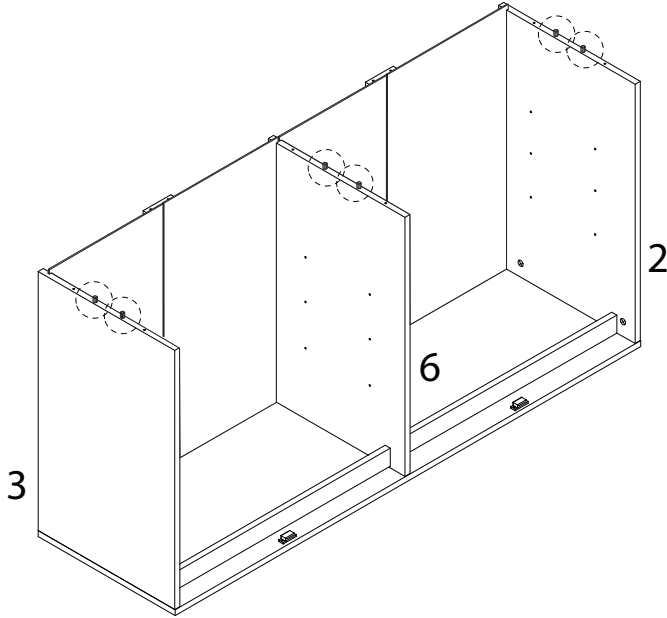
8



9

C

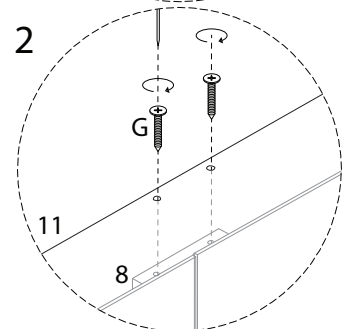
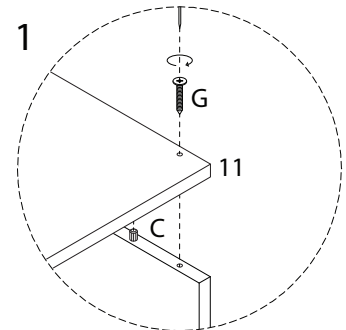
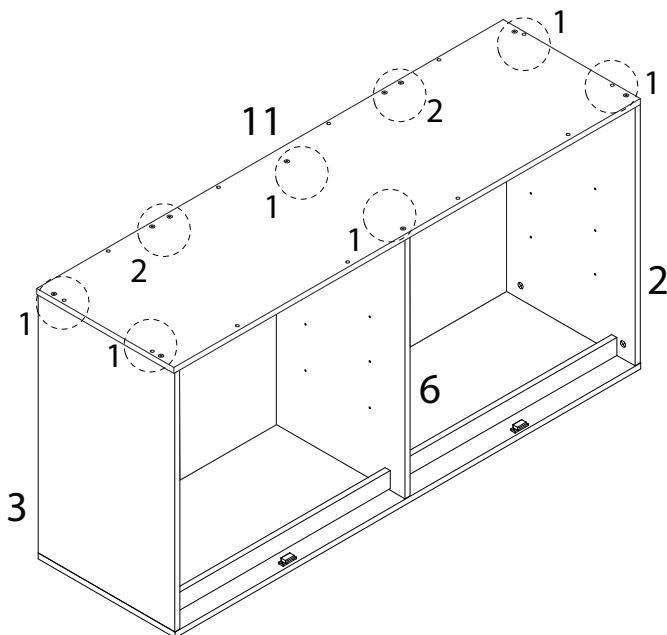
M6  
x  
30  
x 6



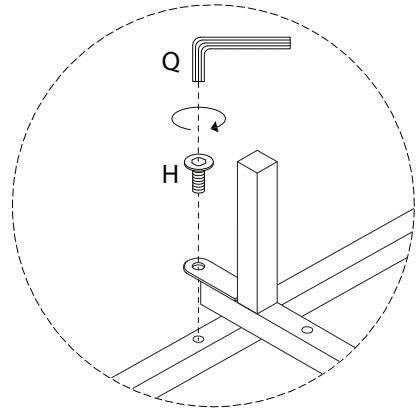
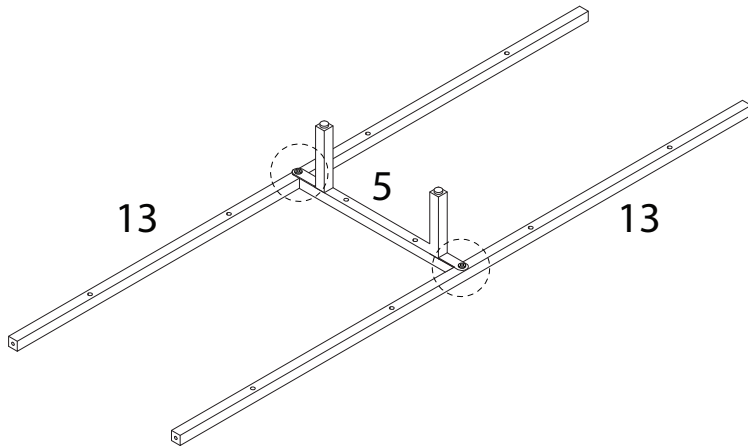
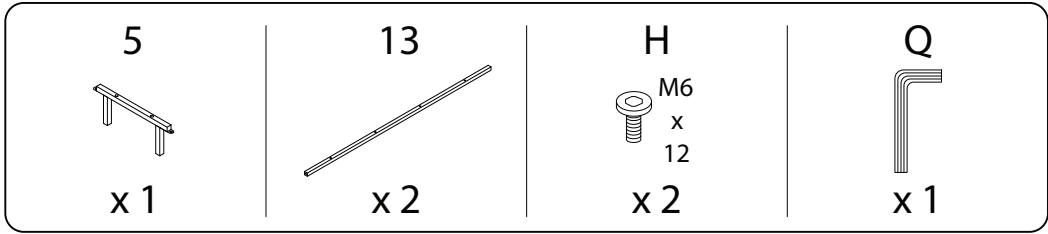
10

G

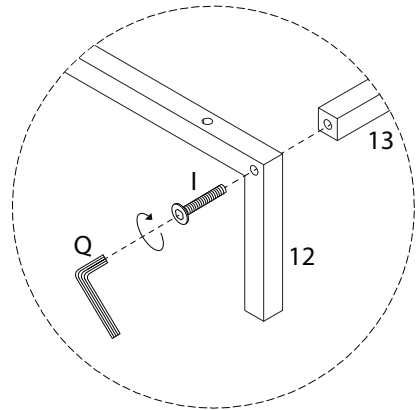
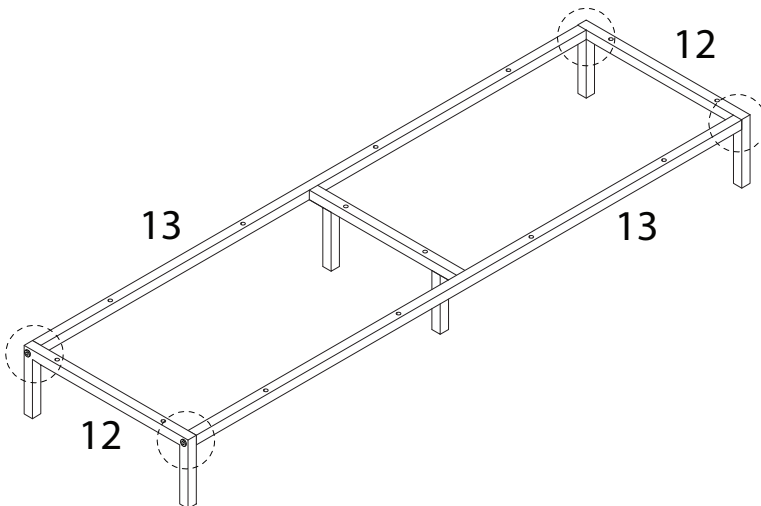
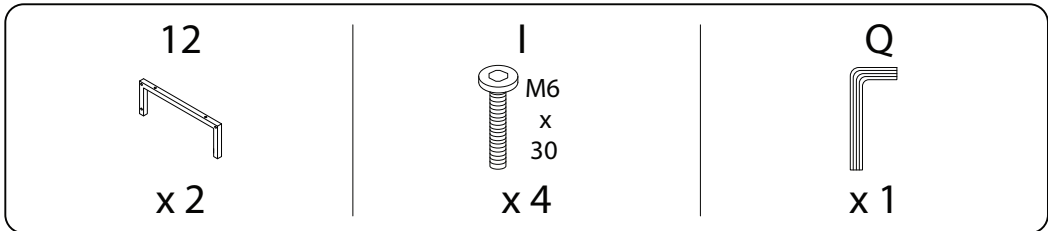
M4  
x  
35  
x 10



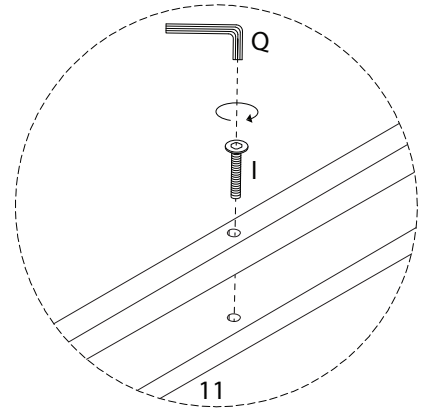
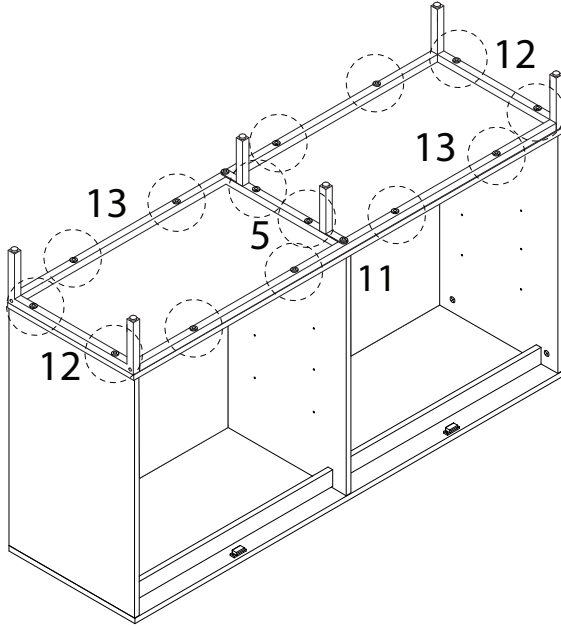
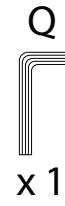
11



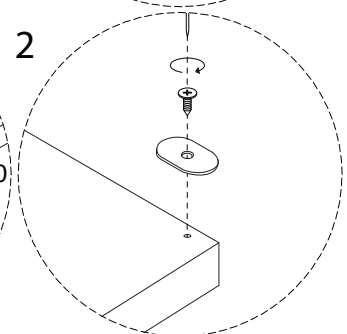
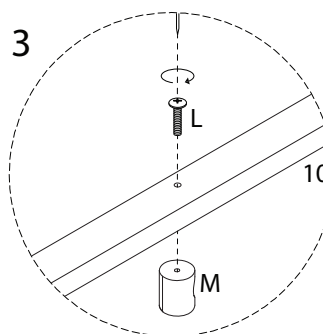
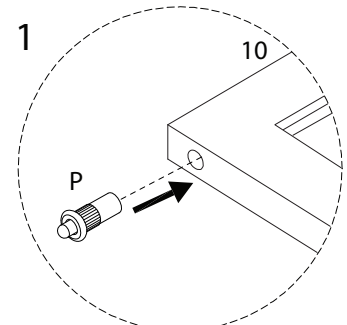
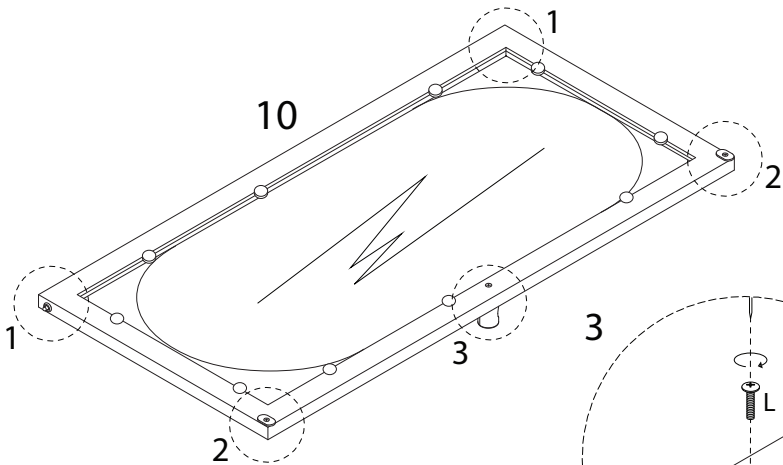
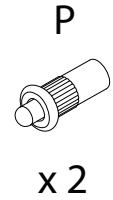
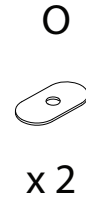
12



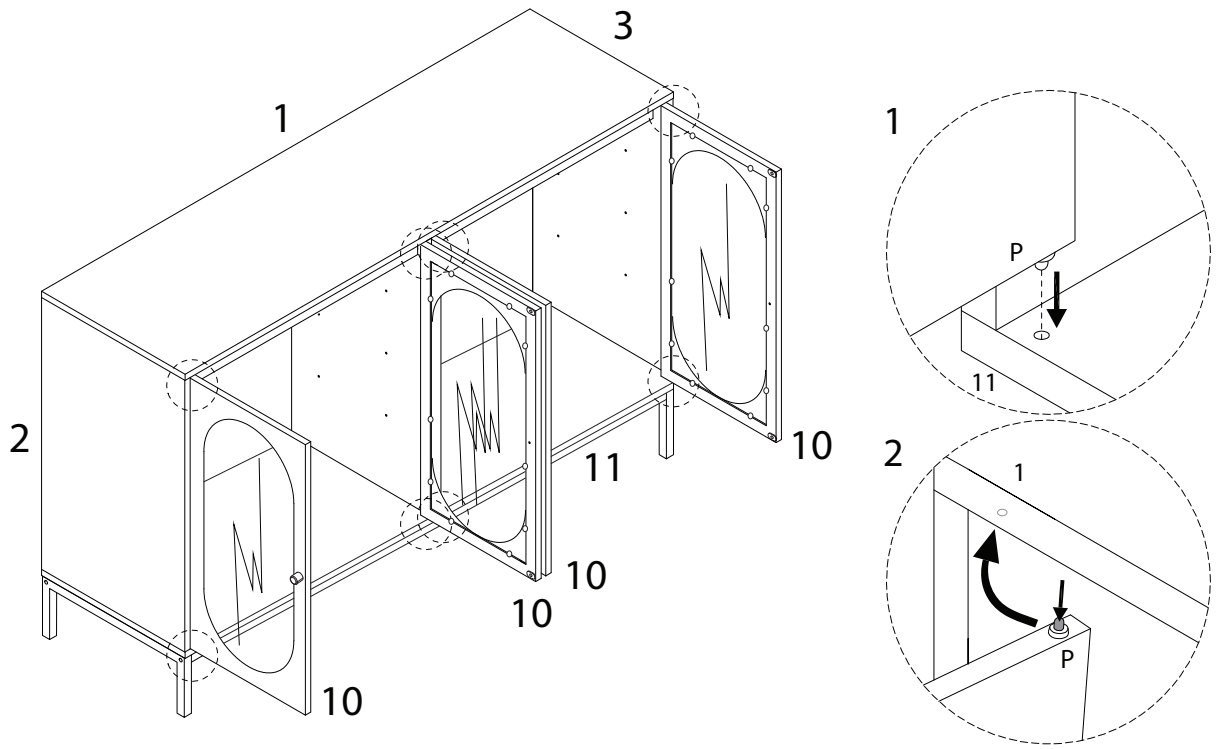
13



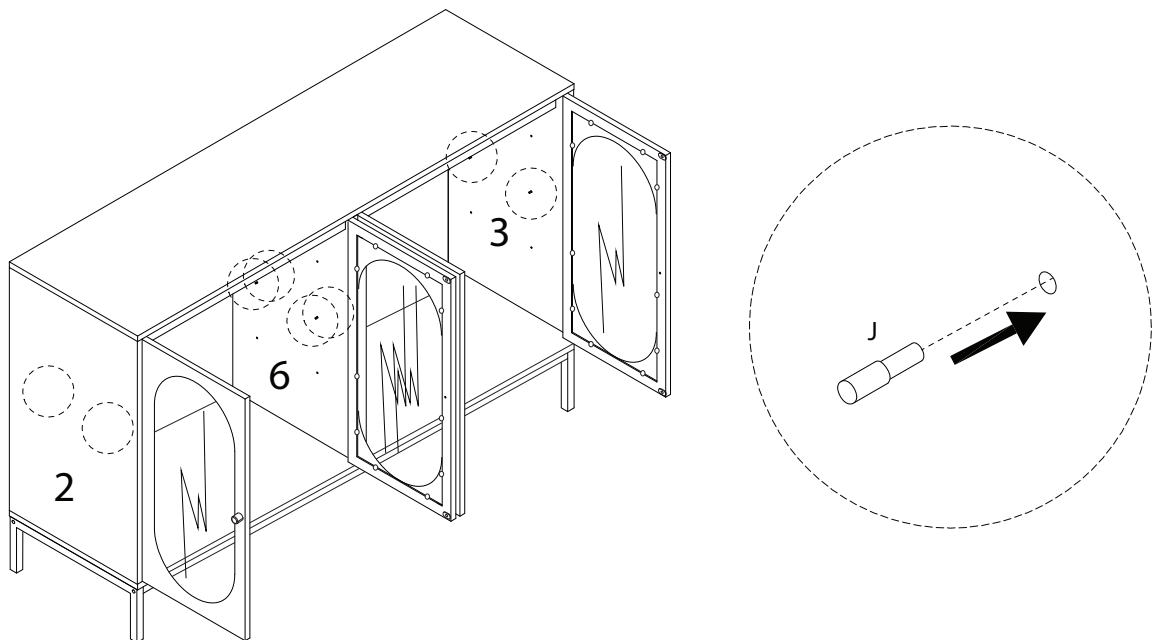
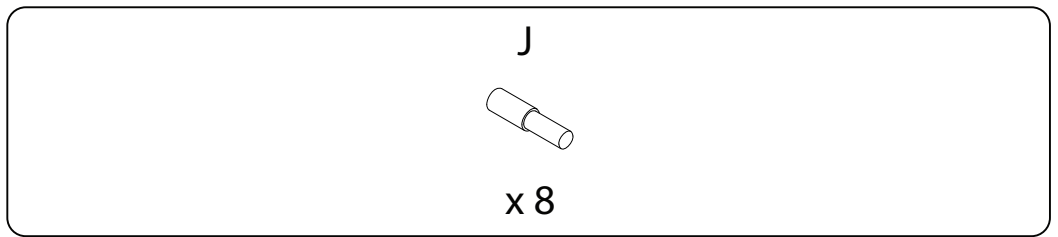
14 x 4



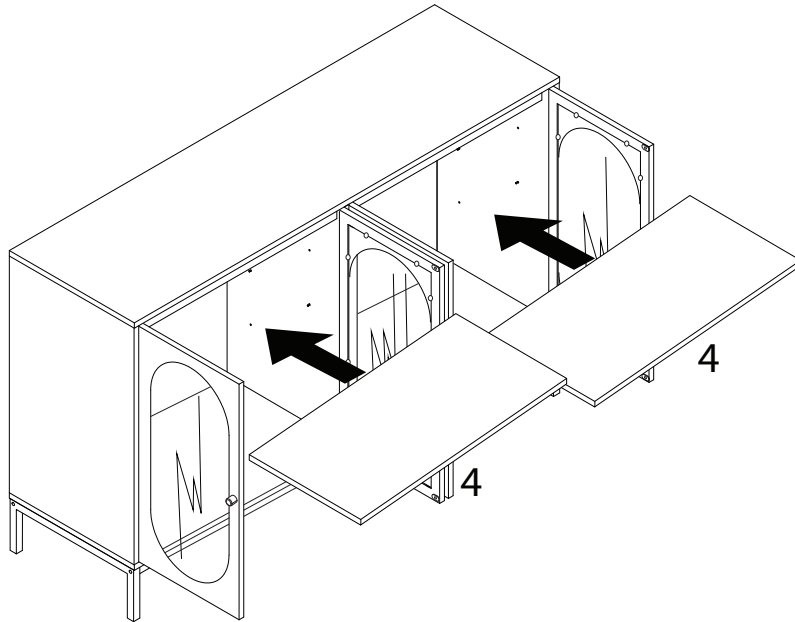
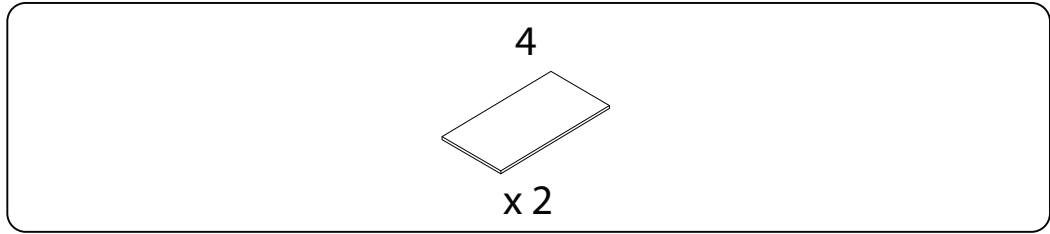
15



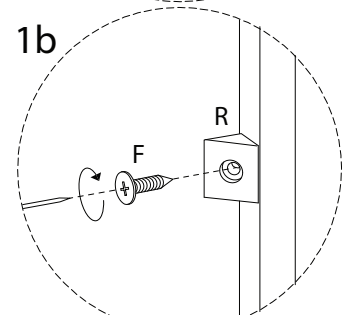
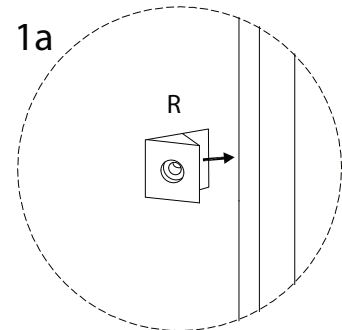
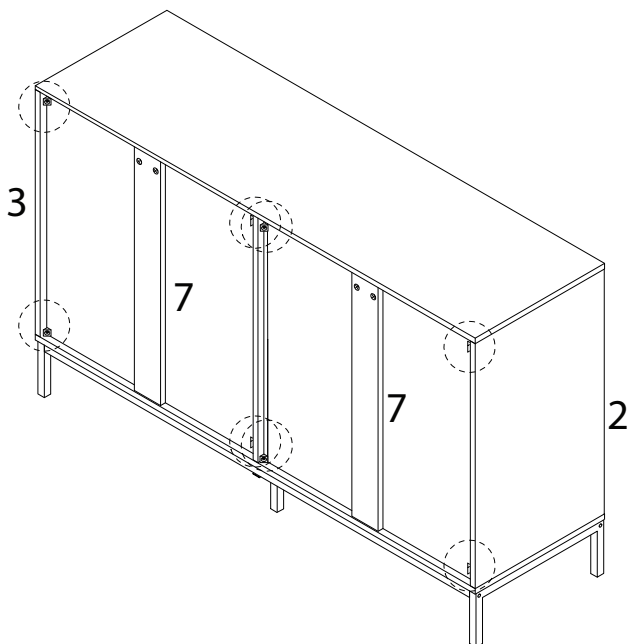
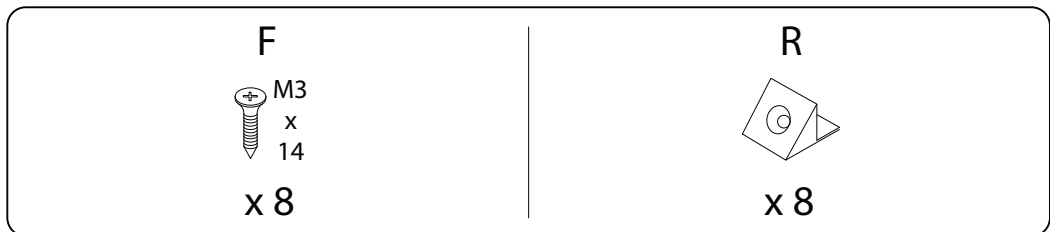
16



17



18



19

S

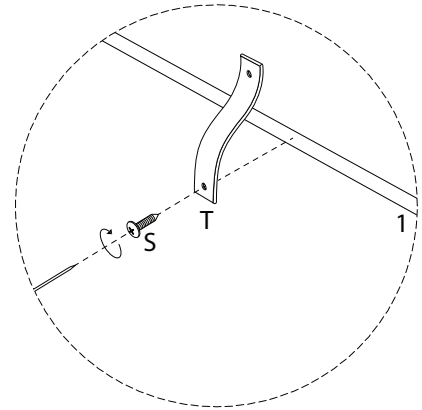
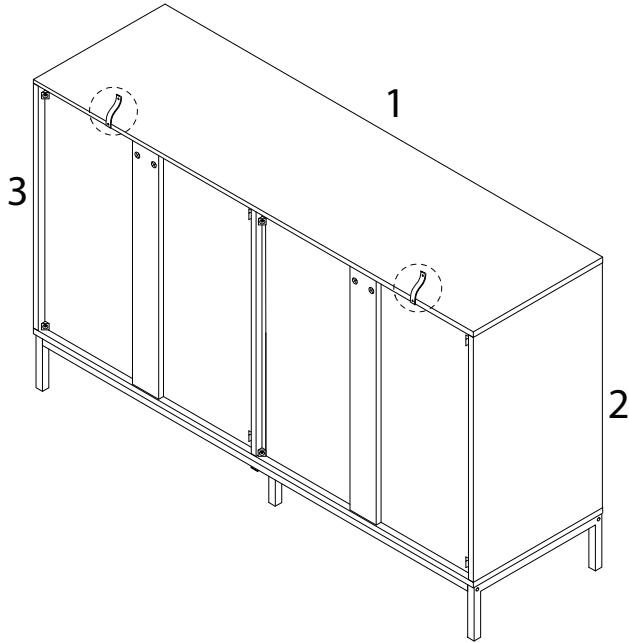


x 2

T



x 2



20

G

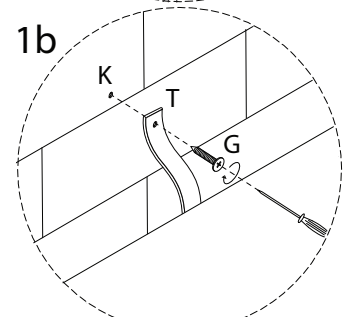
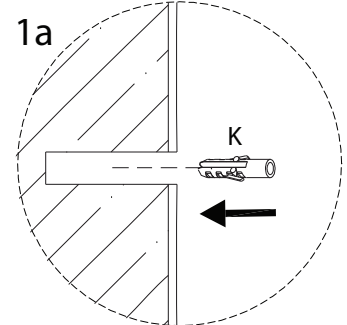
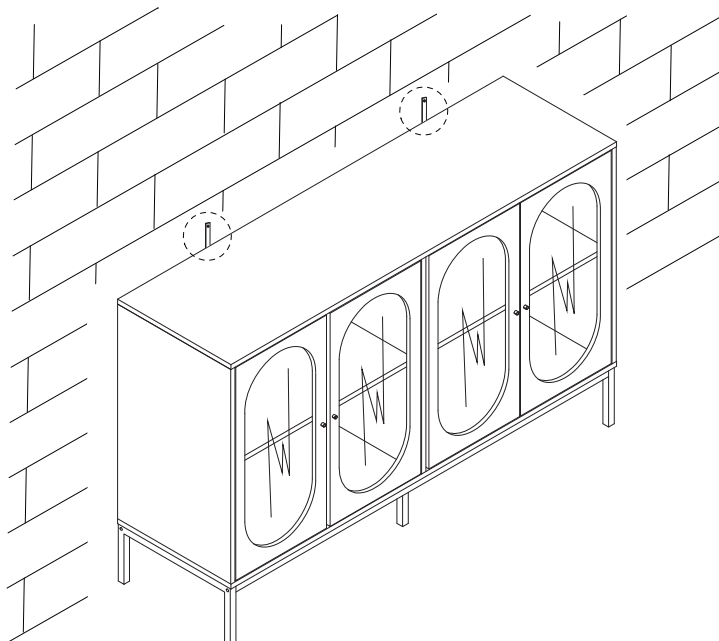


x 2

K



x 2



21

