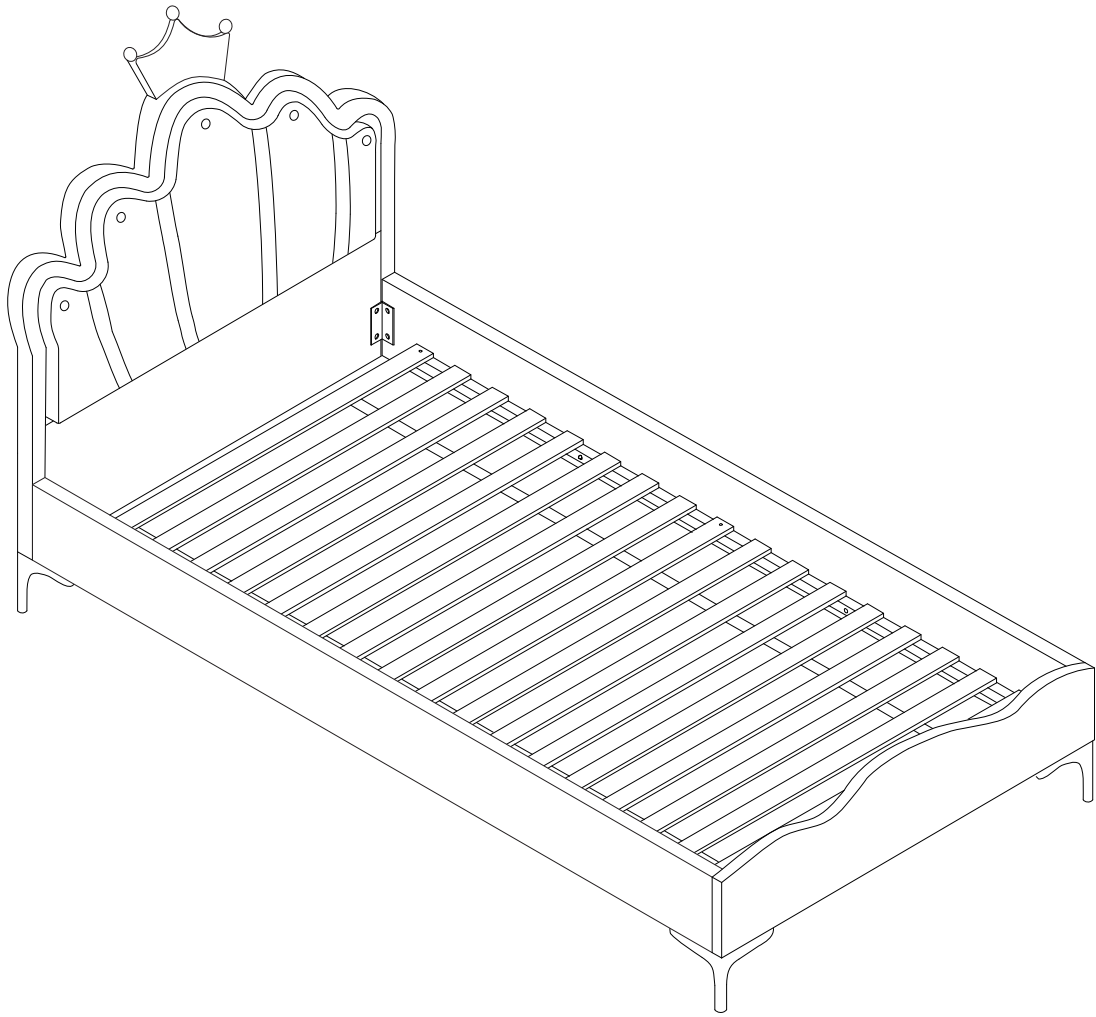
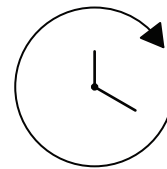
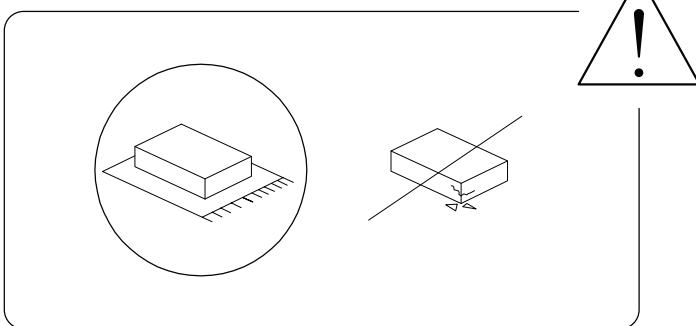
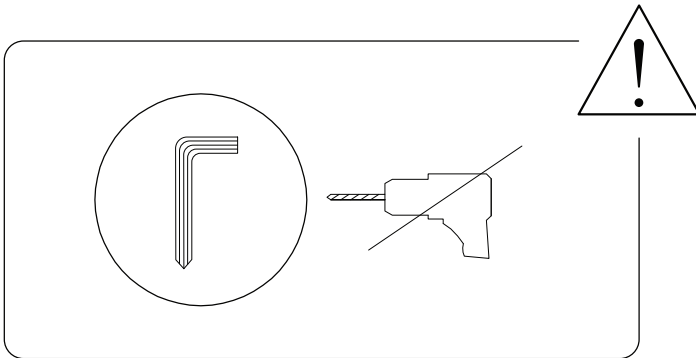
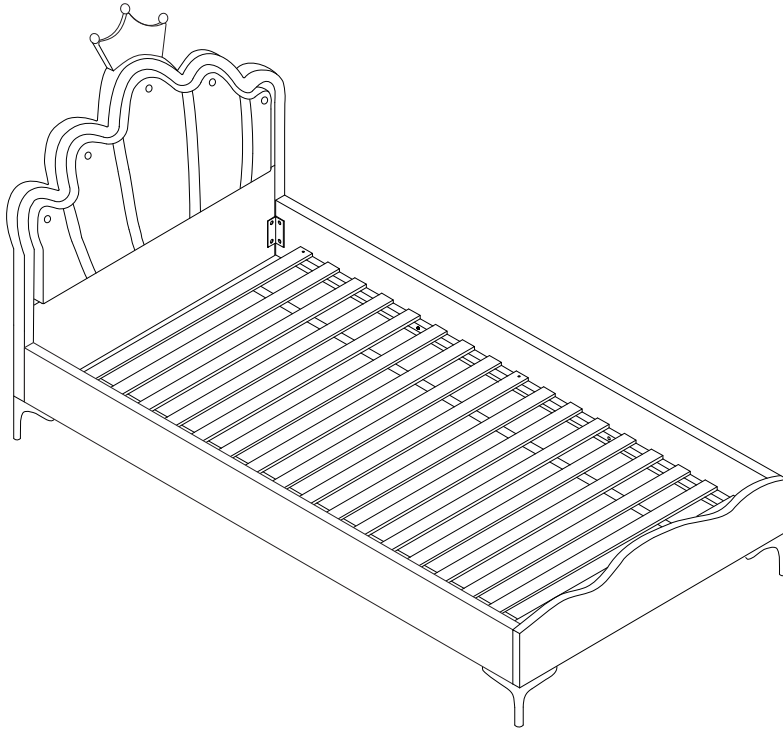
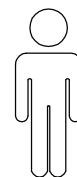
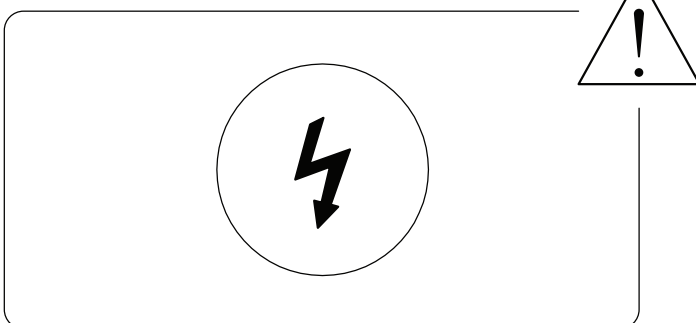


# RUBIAN

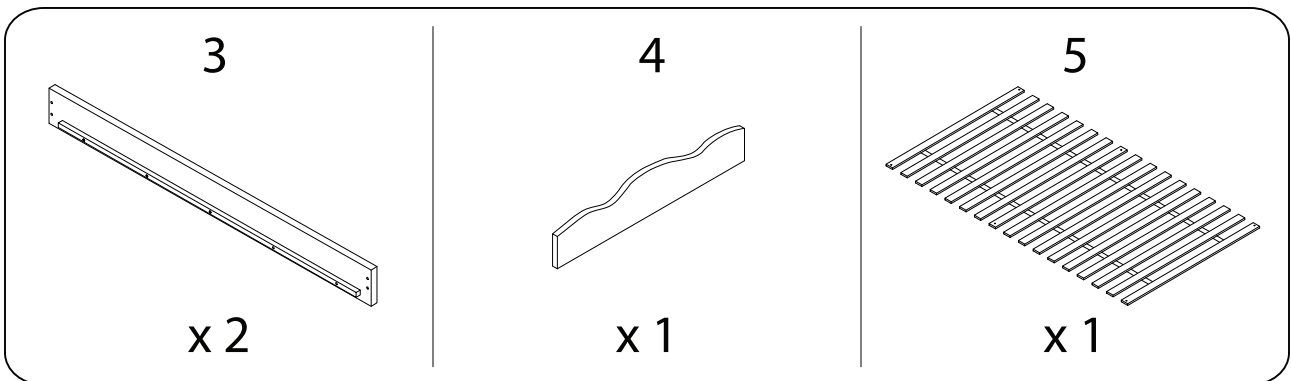
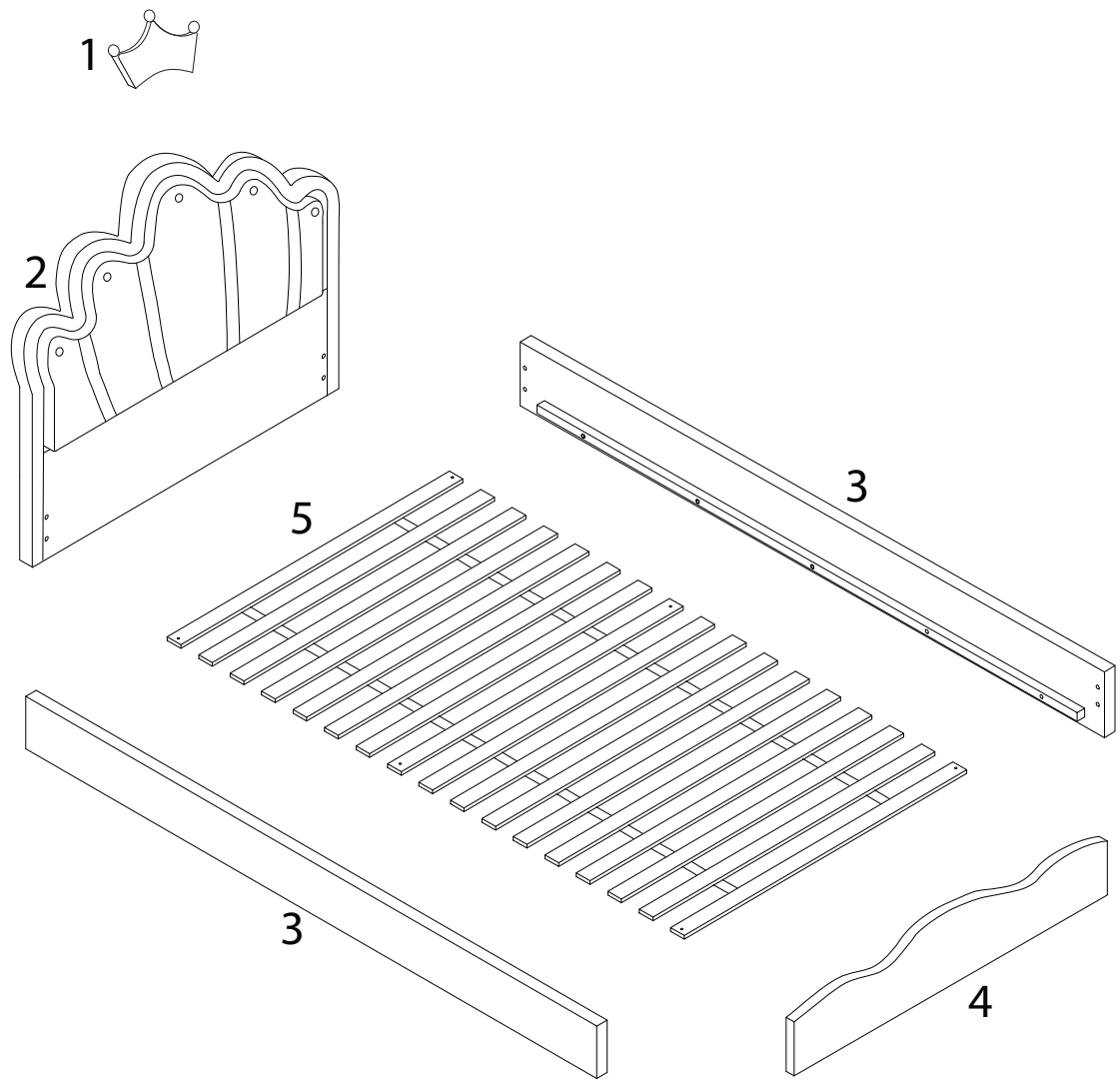
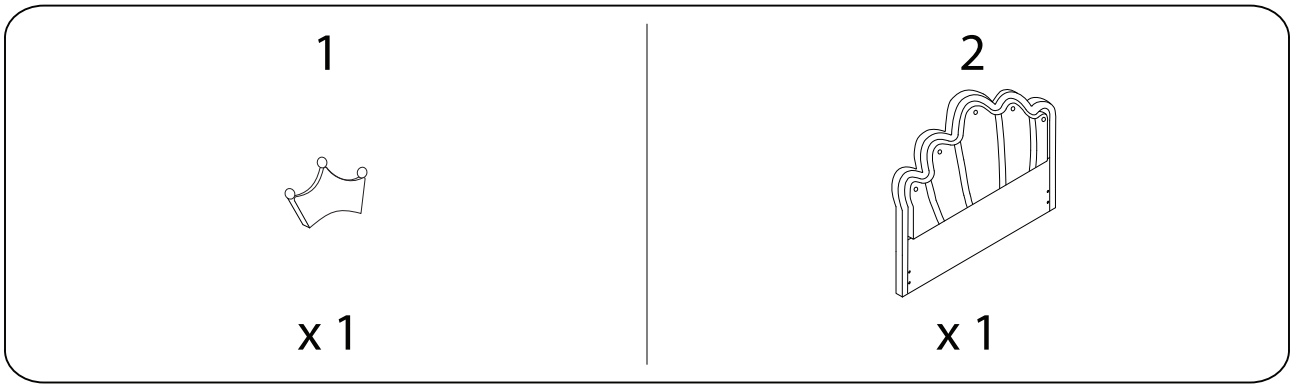




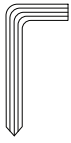
20'



2

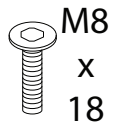


A



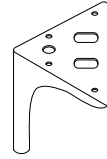
x 1

B



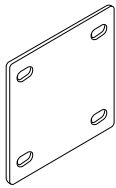
x 20

C



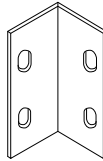
x 4

D



x 1

E



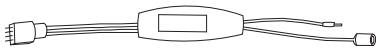
x 4

F



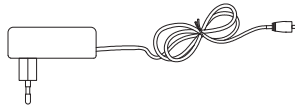
x 22

G



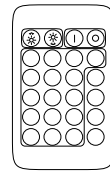
x 1

H



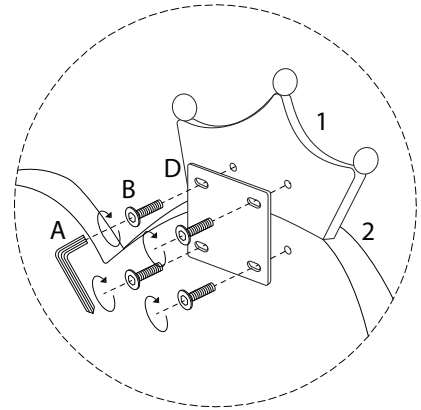
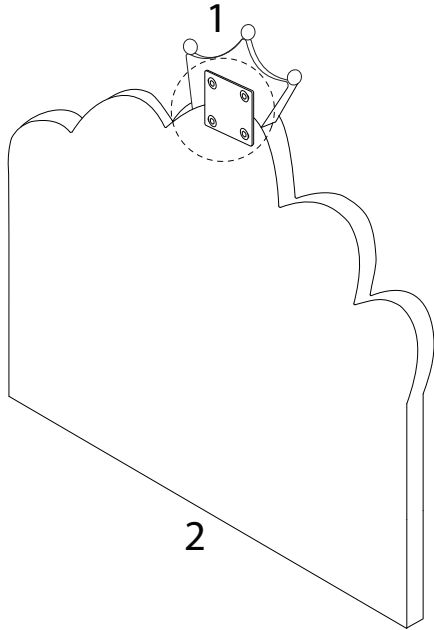
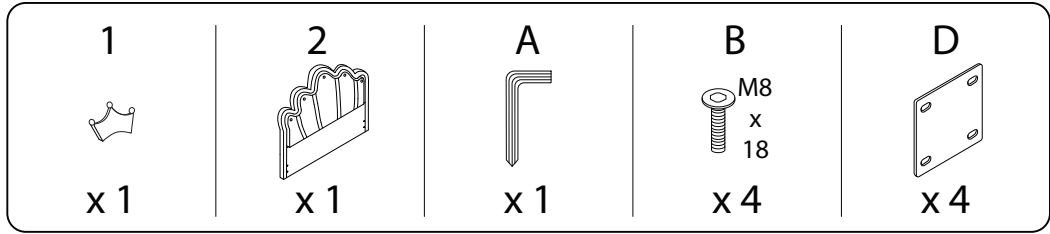
x 1

I

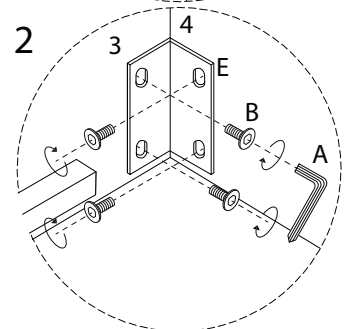
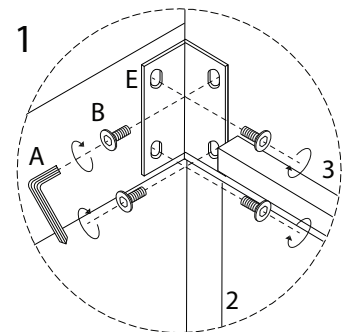
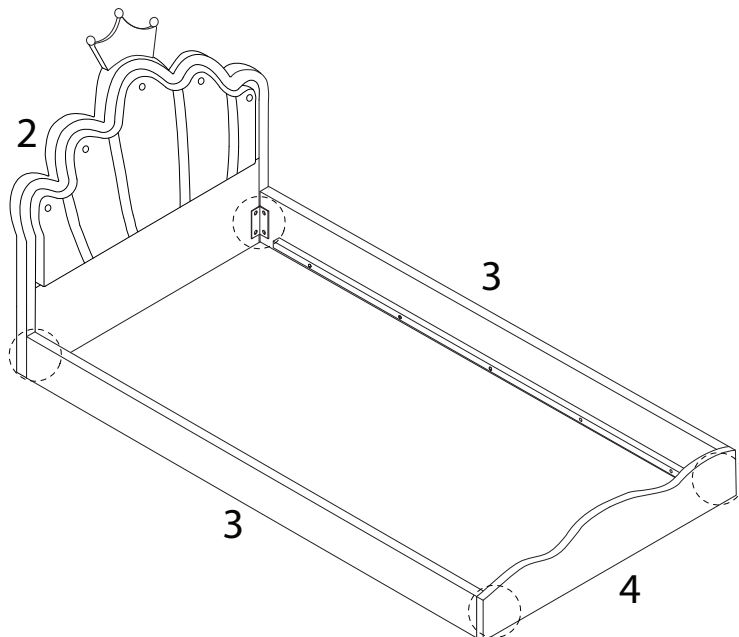
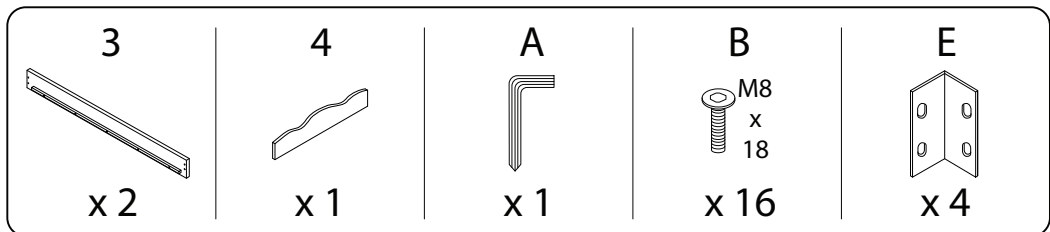


x 1

1

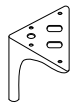


2



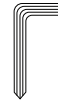
3

C



x 4

A

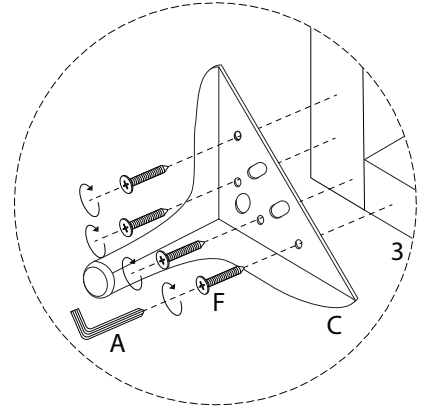
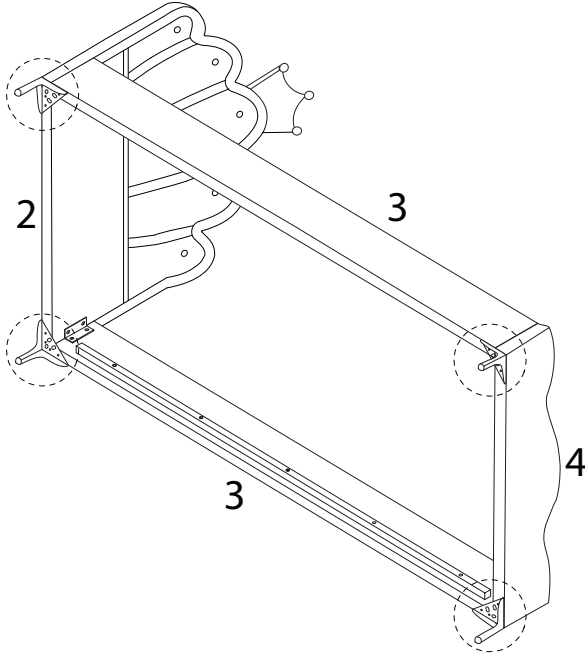


x 1

F

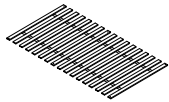


x 16



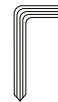
4

5



x 1

A

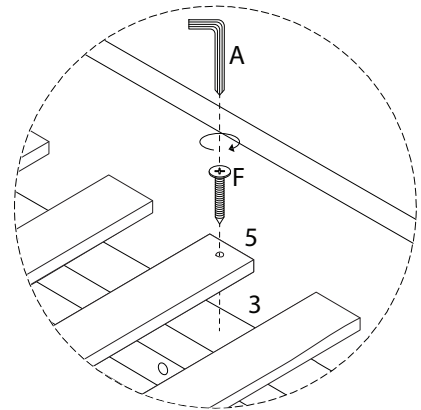
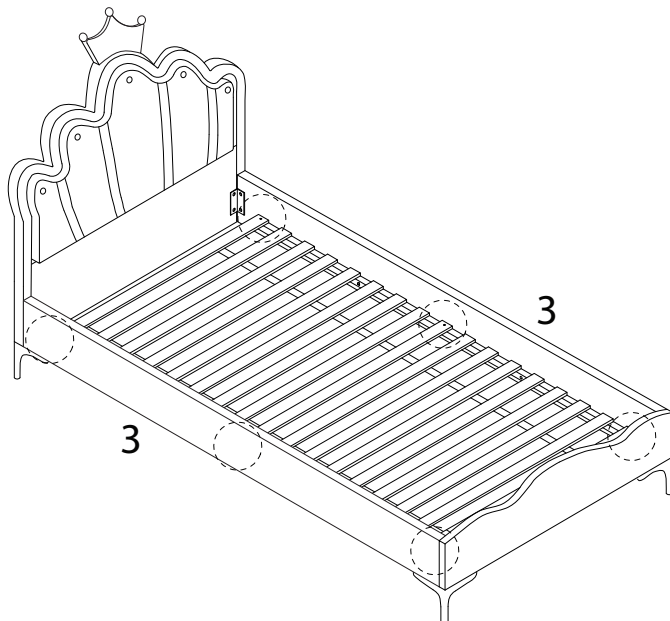


x 1

F



x 6



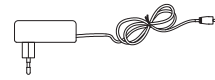
5

G

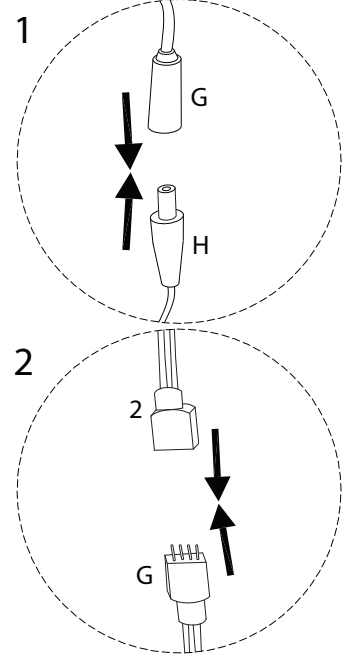
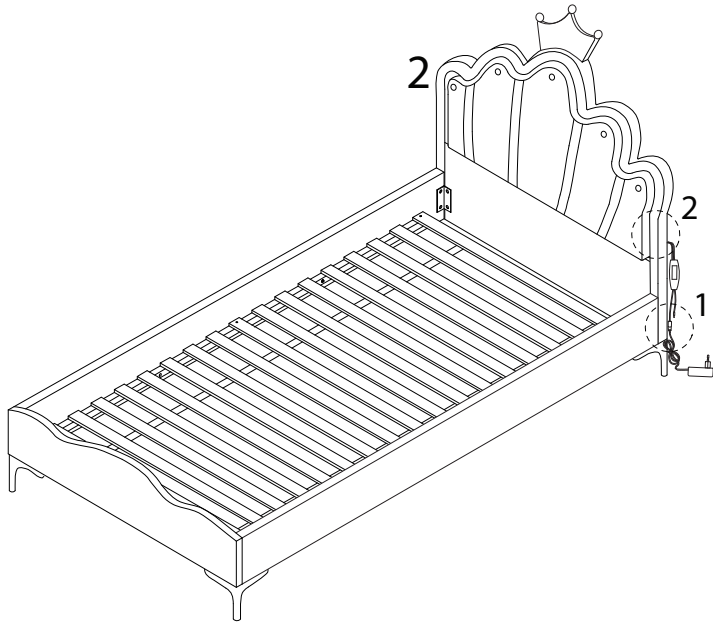


x 1

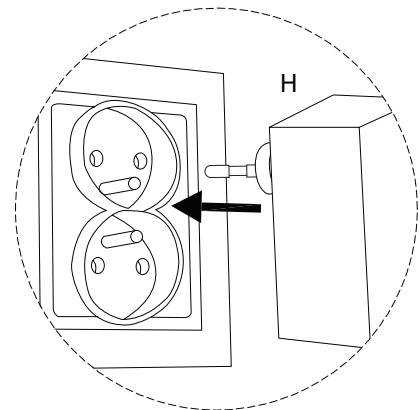
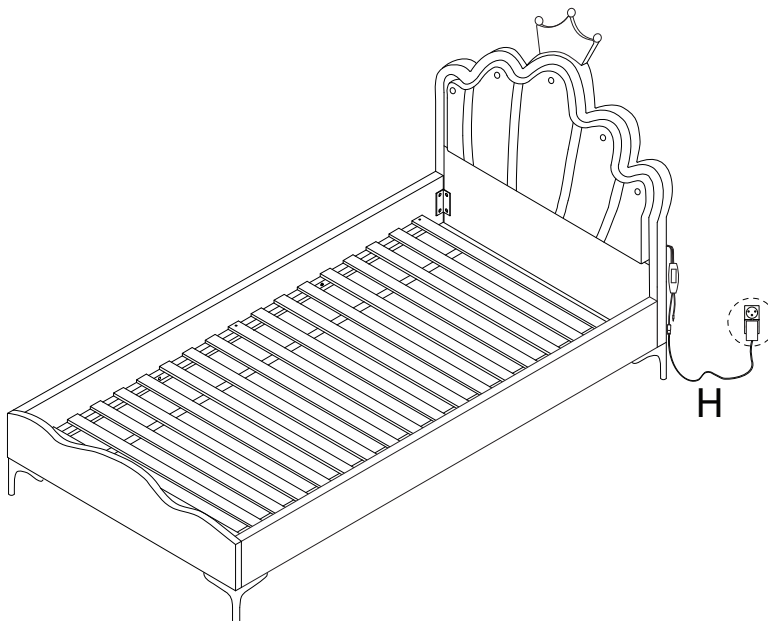
H



x 1



6



!

