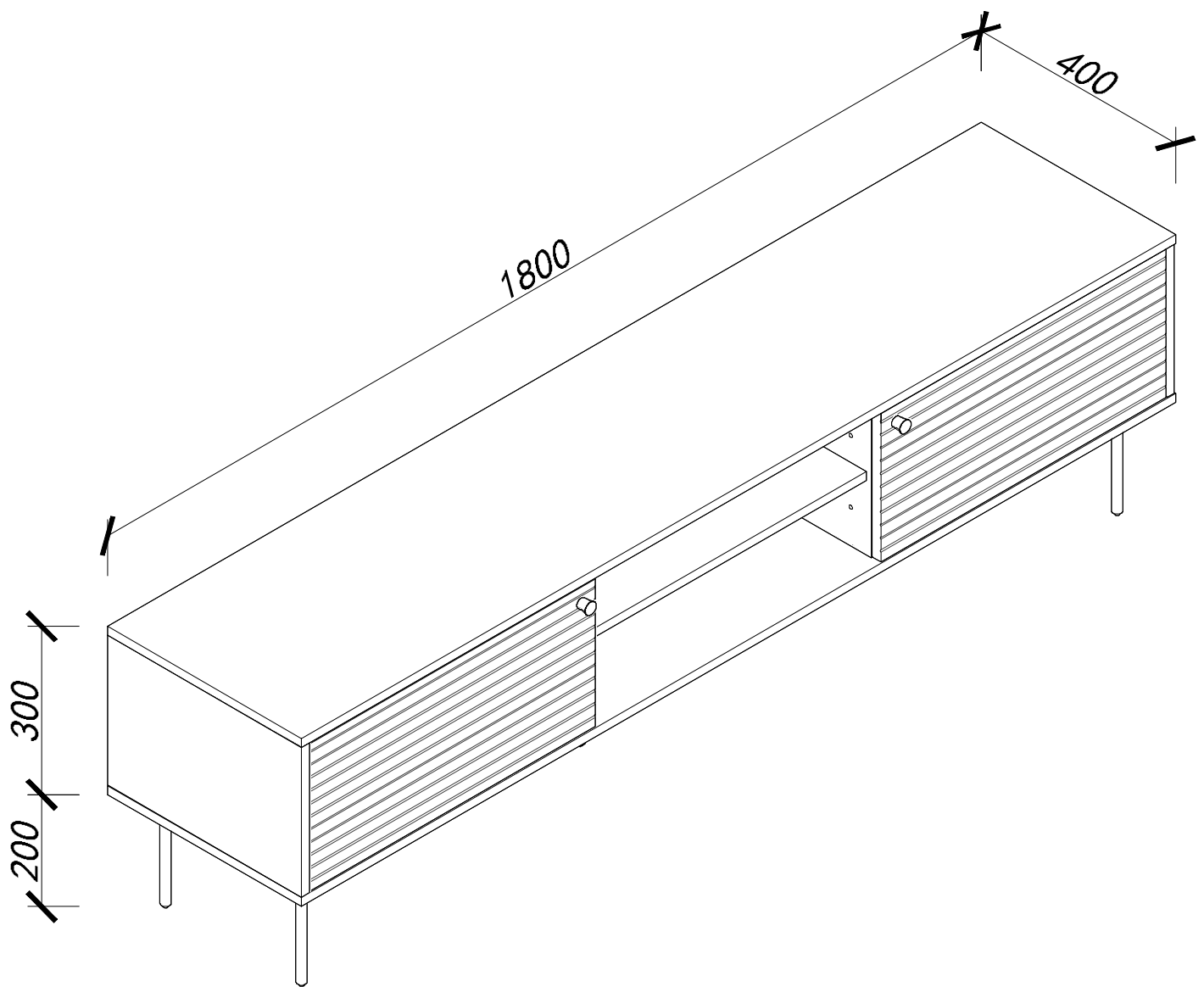
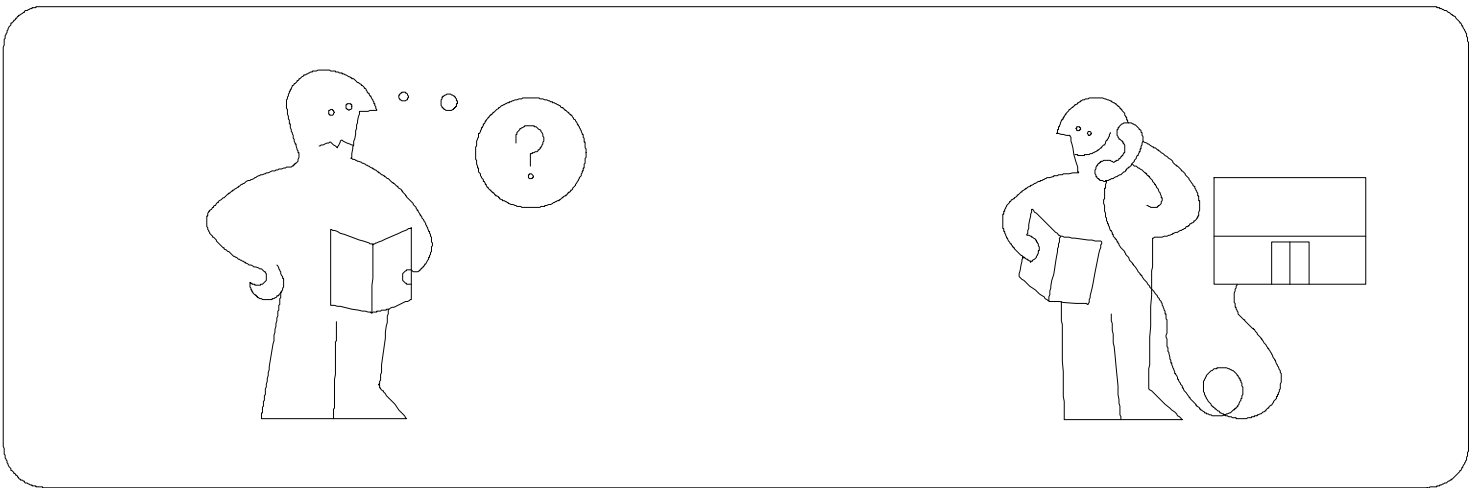
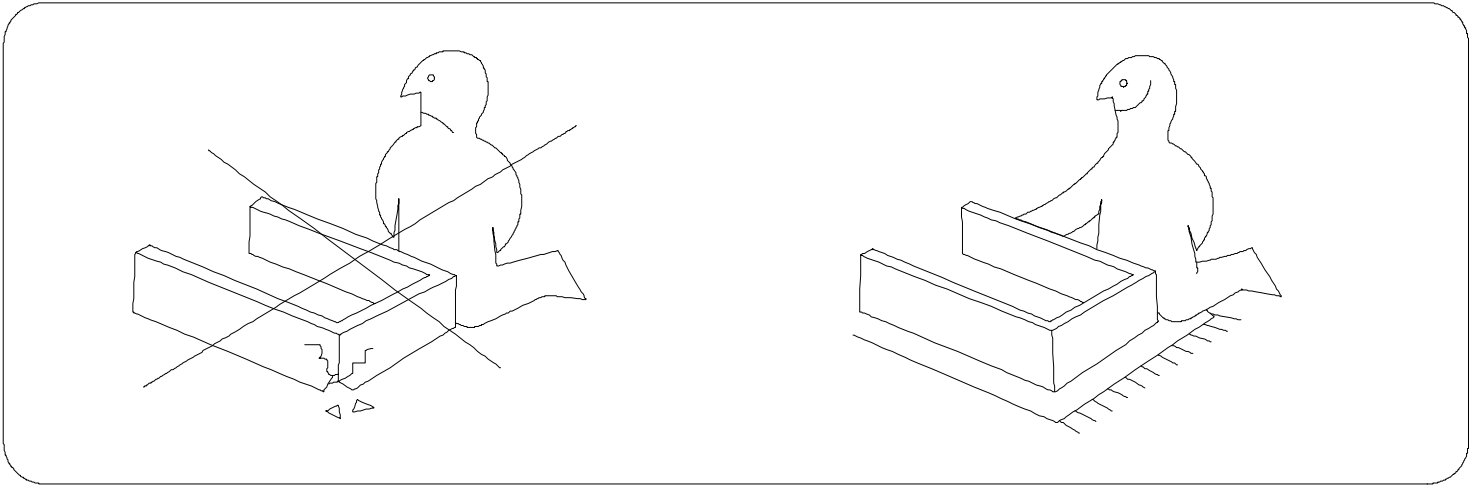
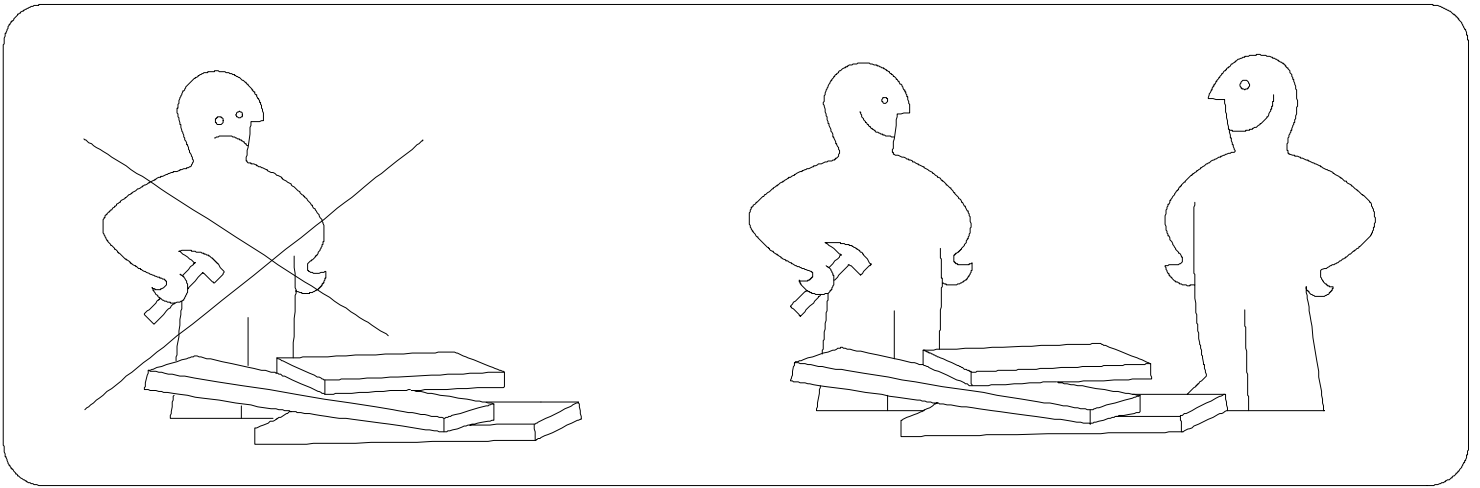
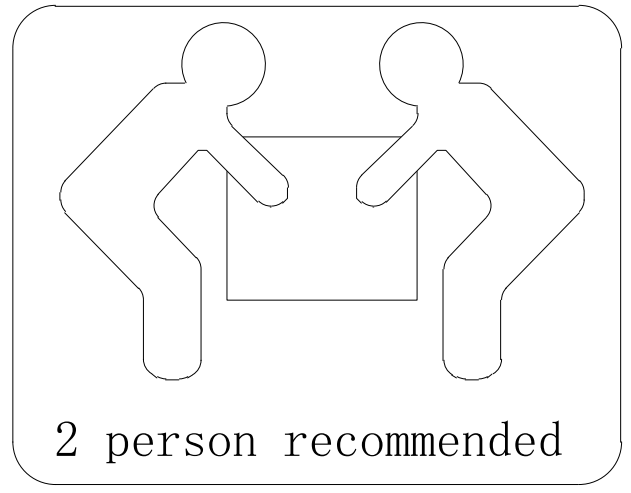
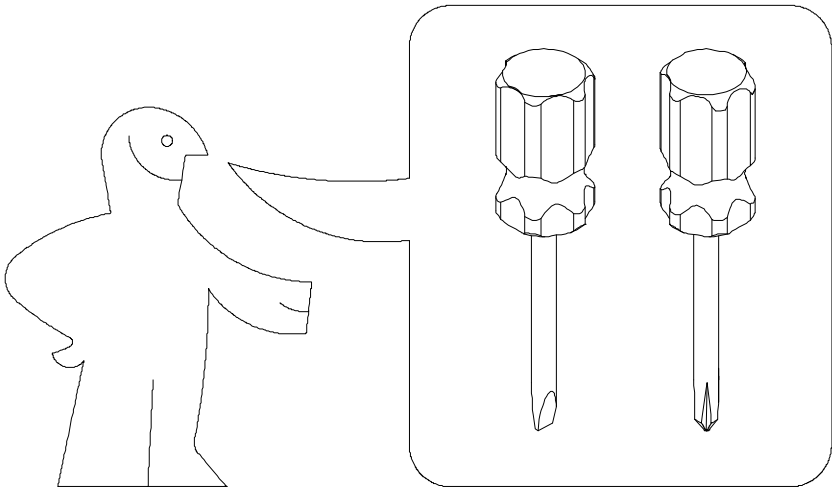


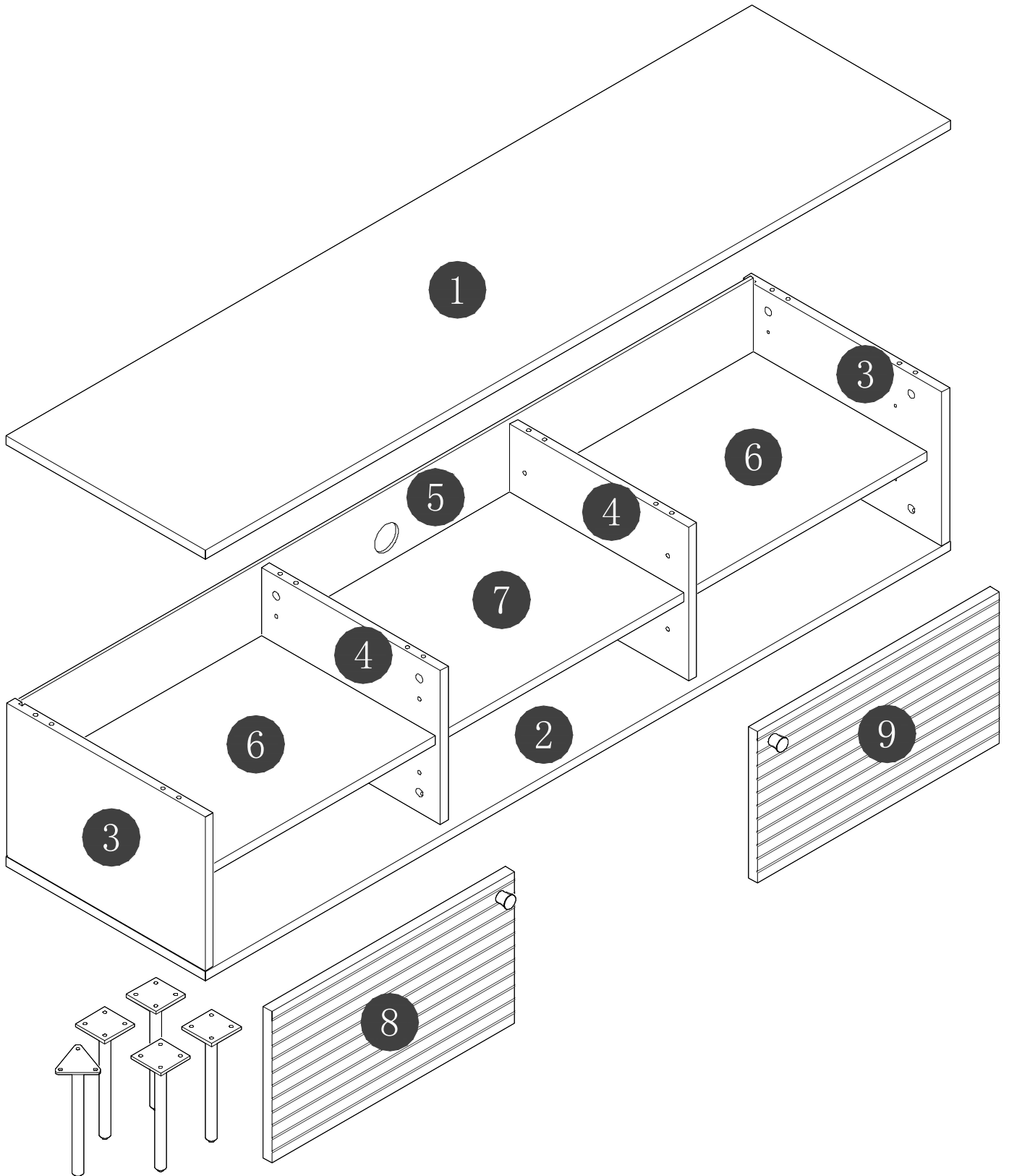
Assembly Instruction





Panel No	Panel Sizes	Quantity
1	1800*400*16	1
2	1800*400*16	1
3	268*399*16	2
4	268*360*16	2
5	1776*278*5	1

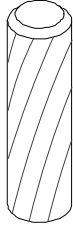
Panel No	Panel Sizes	Quantity
6	570*350*16	2
7	585*350*16	1
8	585*264*18	1
9	585*264*18	1
10		



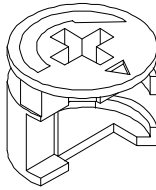
Fittings



A=16



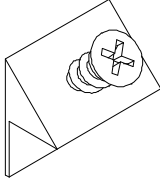
B=16



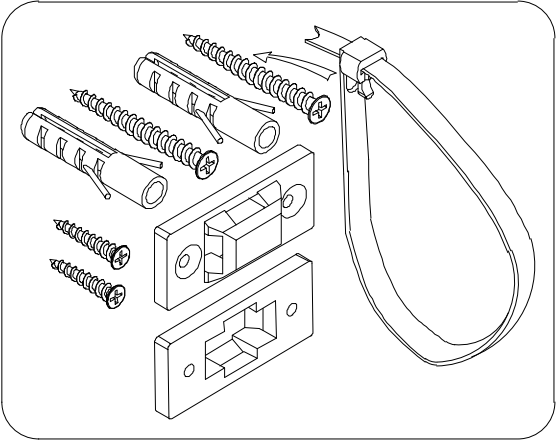
C=16



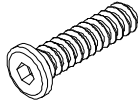
D=16



E=10

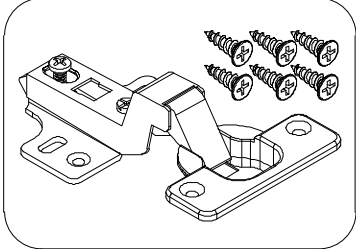


F=1

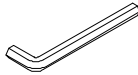


M6*16

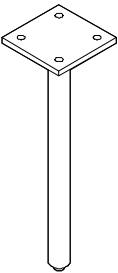
G=19



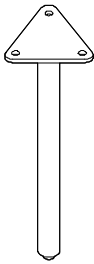
I3=4



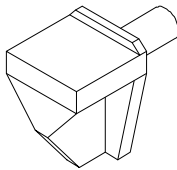
H=1



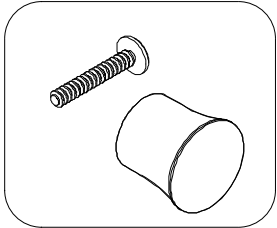
J-1=4



J-2=1



L=12



U=2

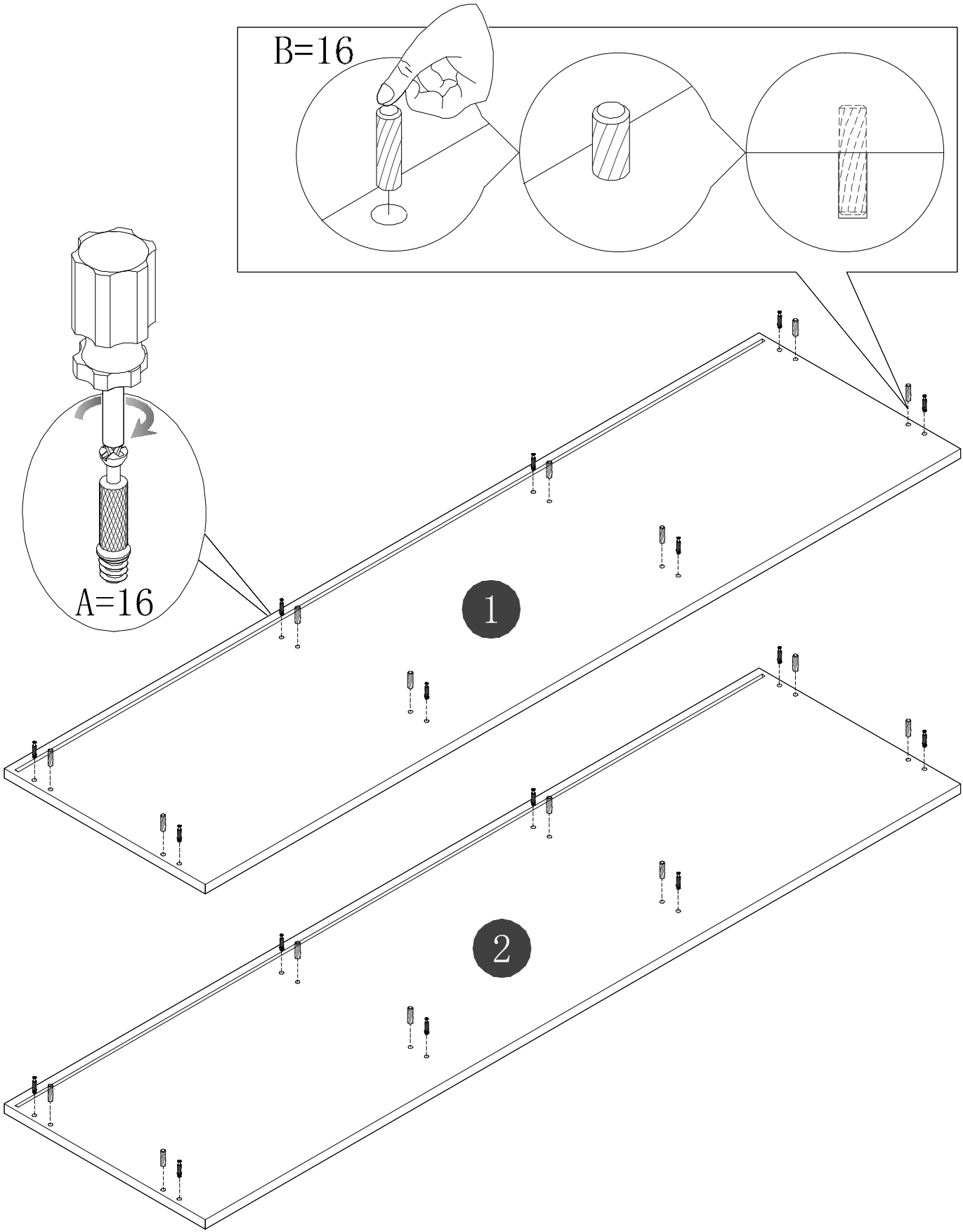


Z1=19

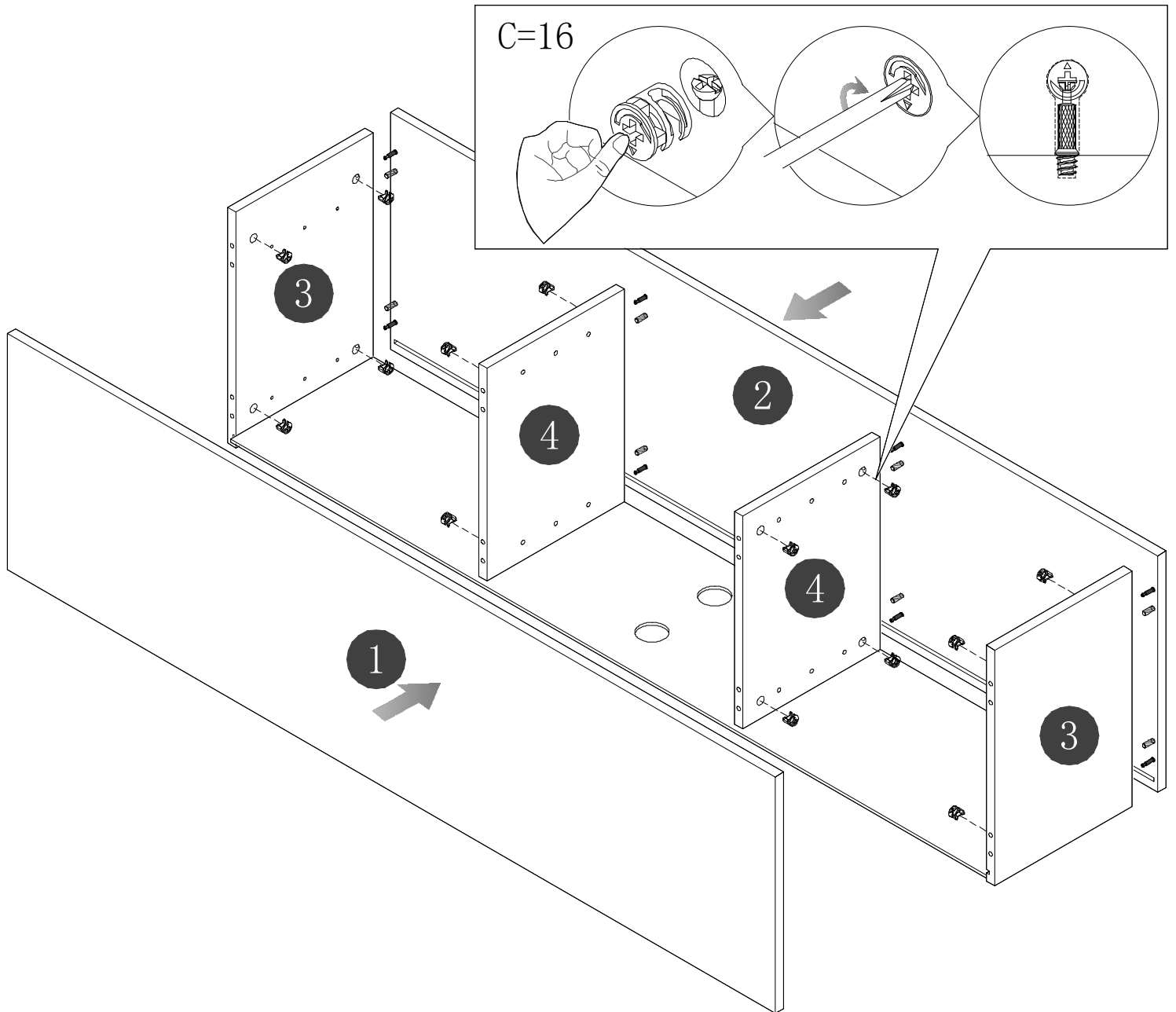


Z2=19

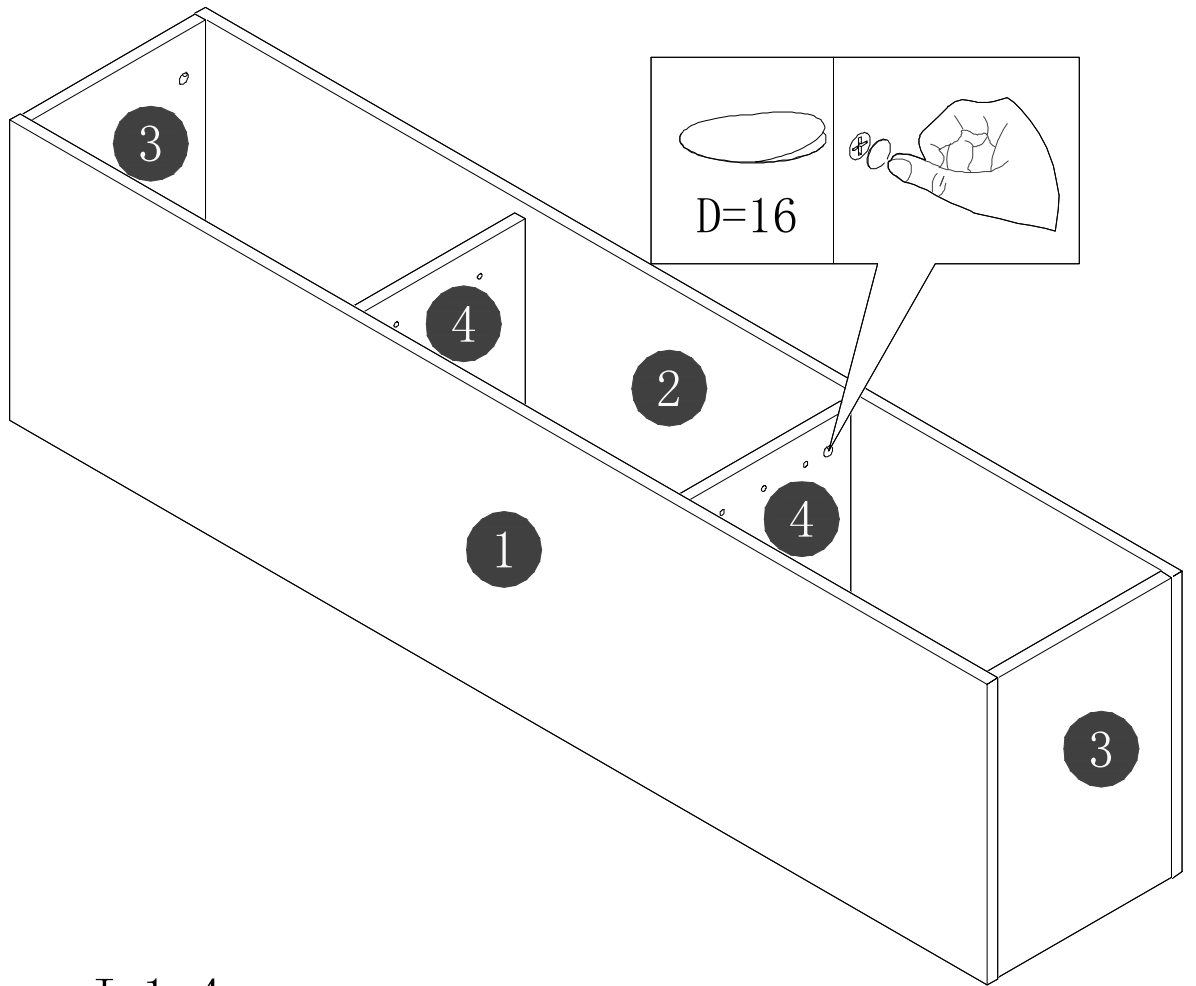
STEP 1



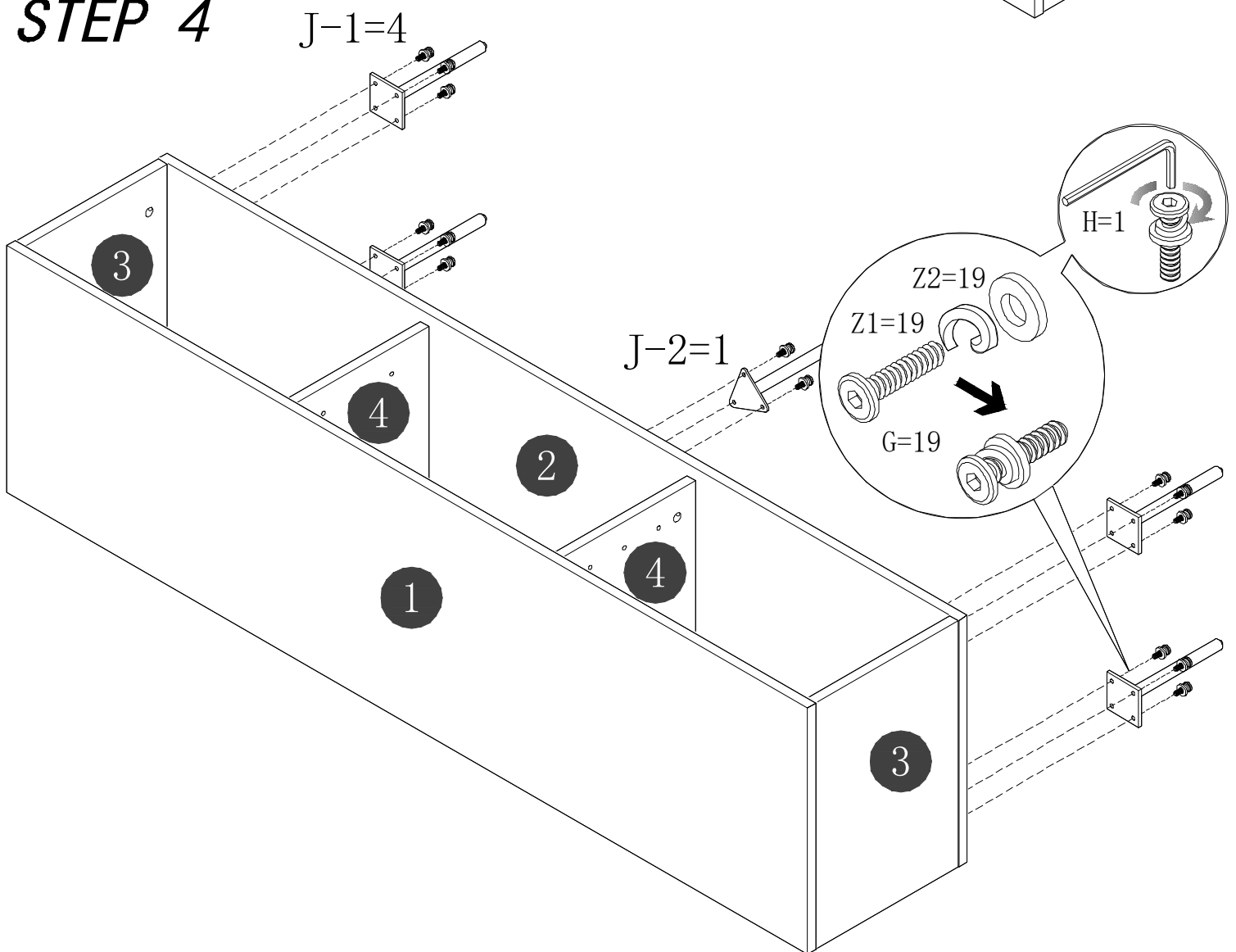
STEP 2



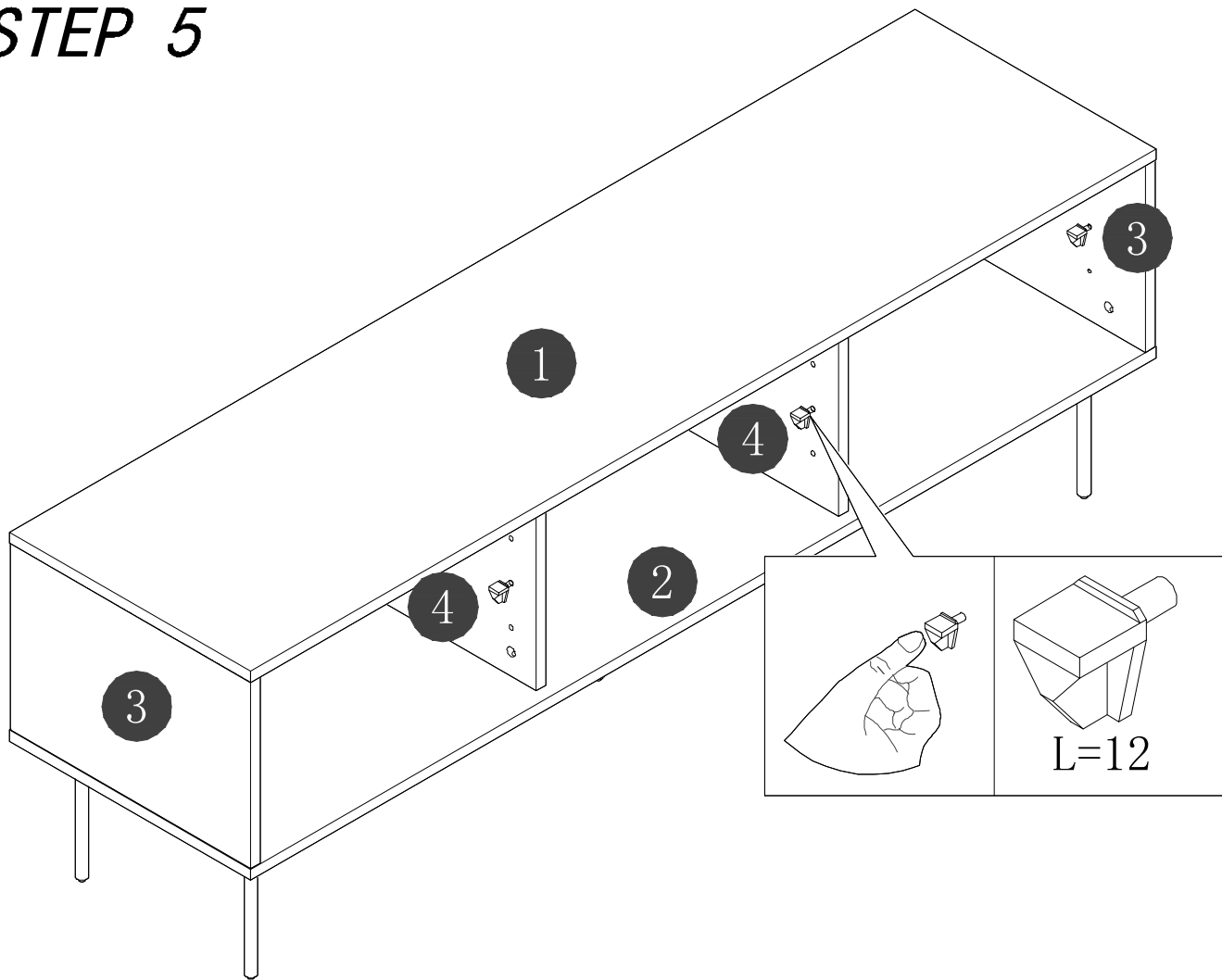
STEP 3



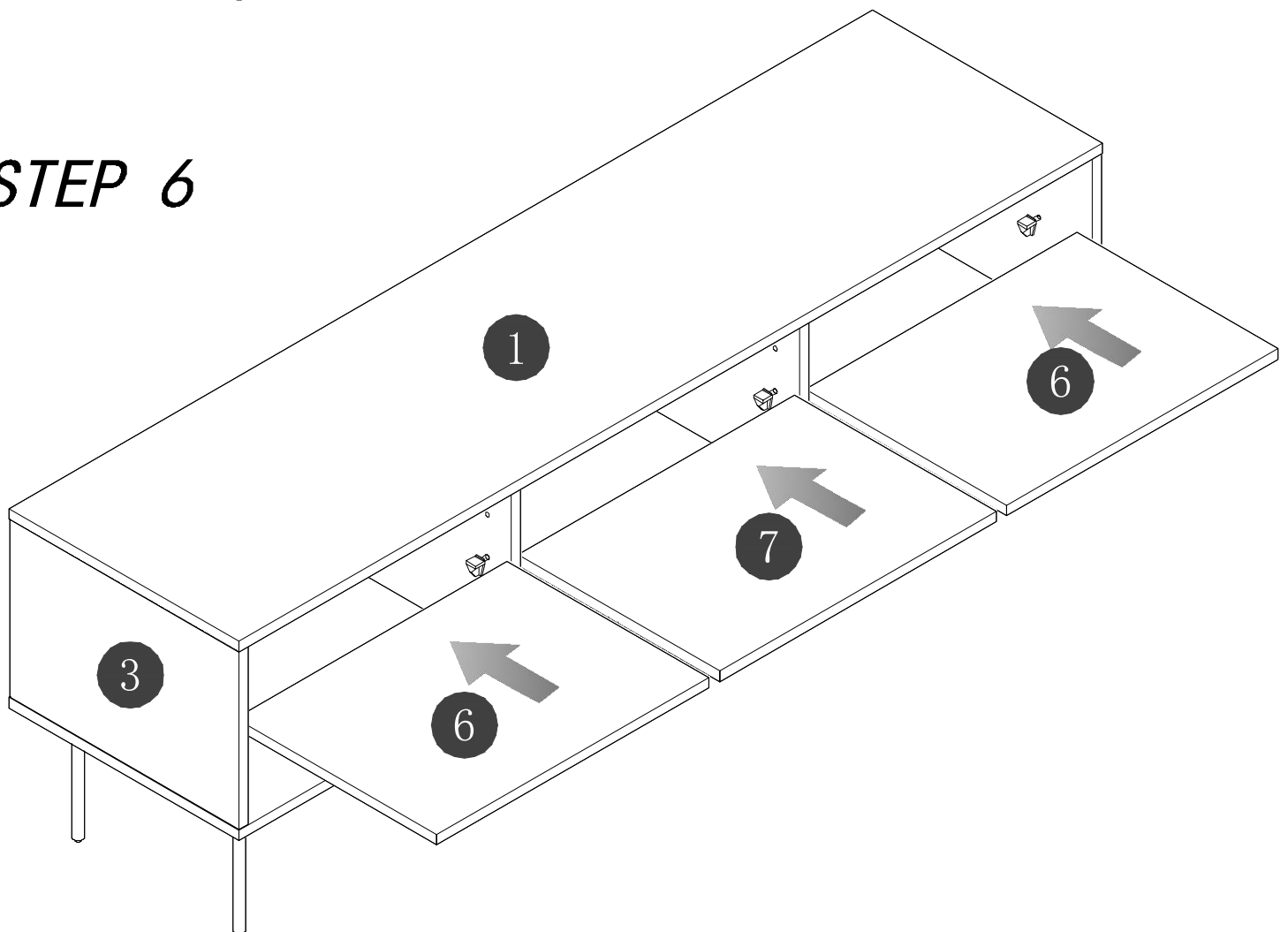
STEP 4



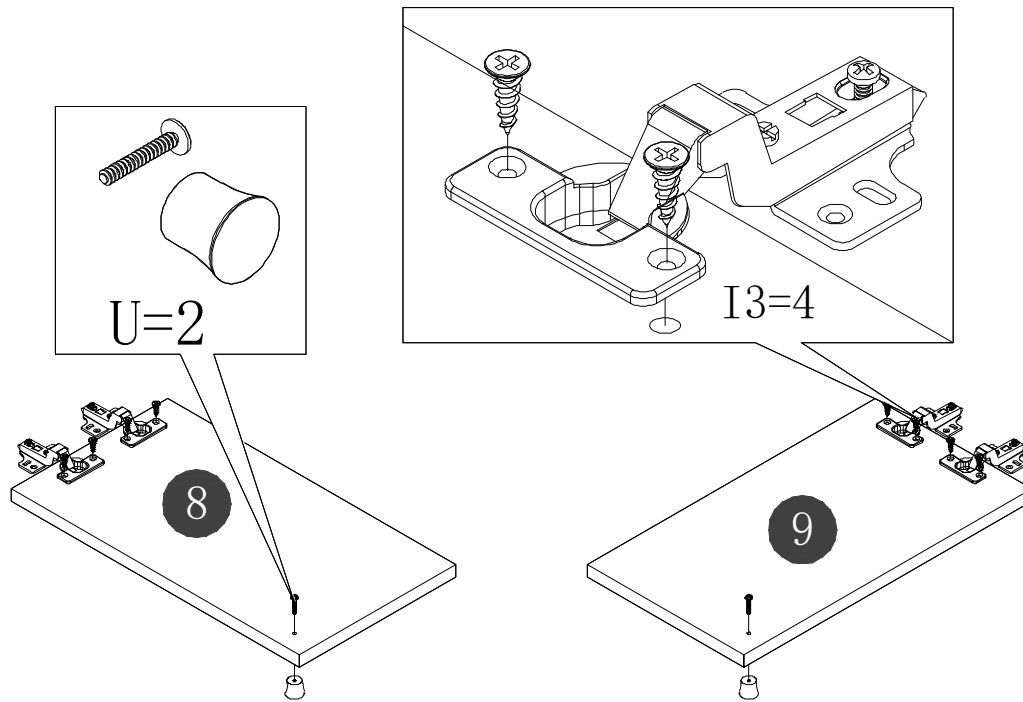
STEP 5



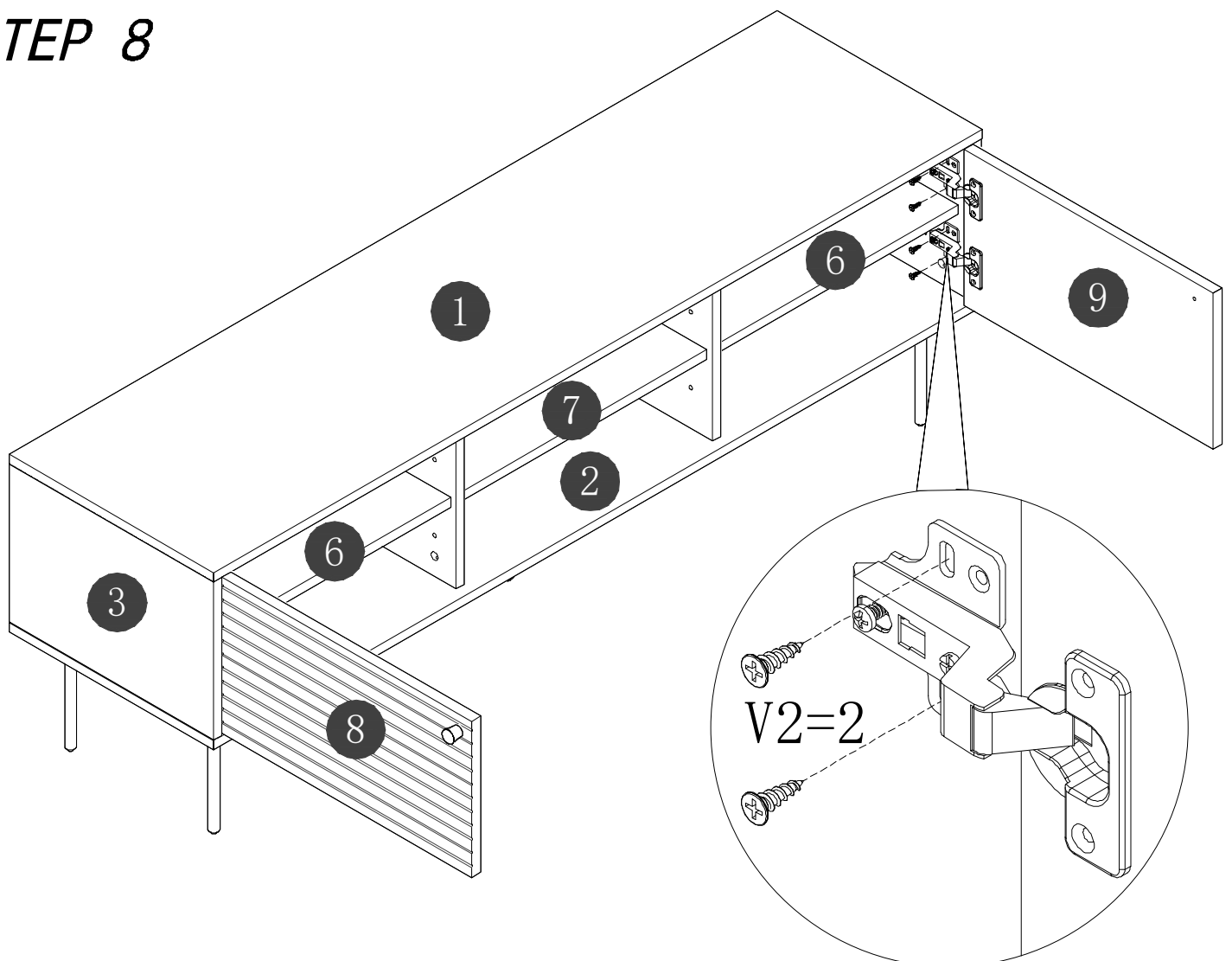
STEP 6



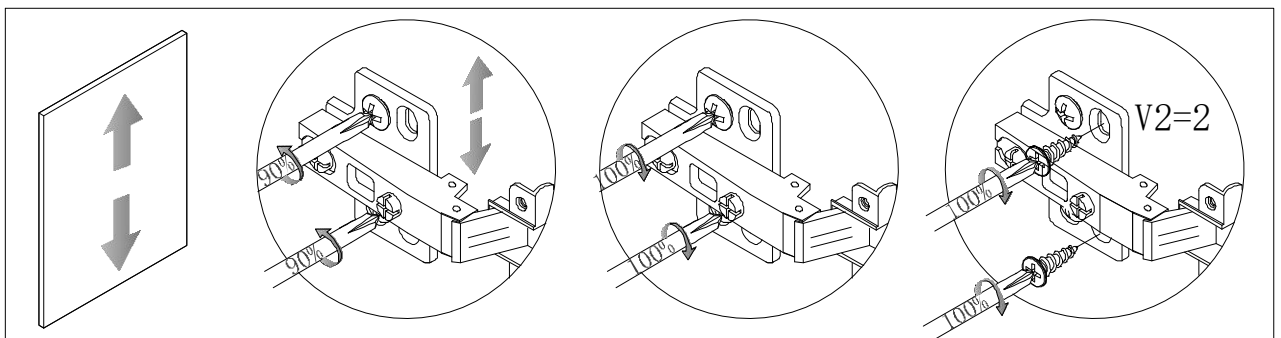
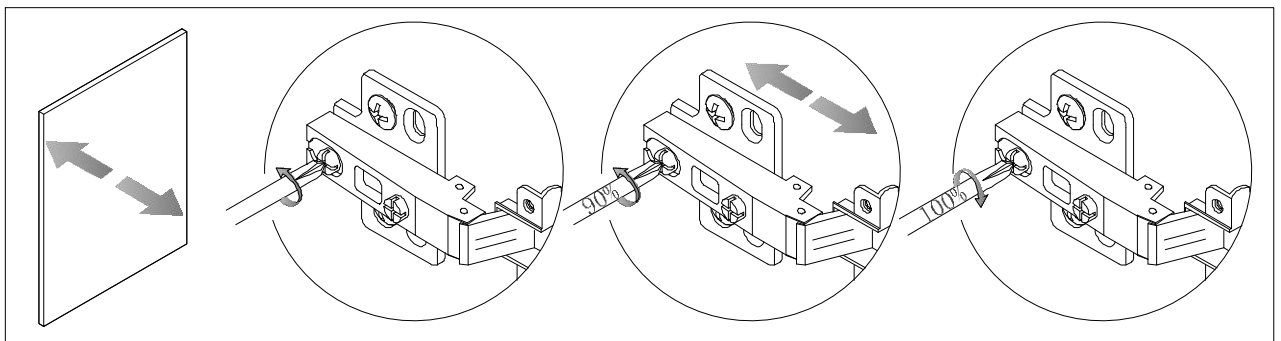
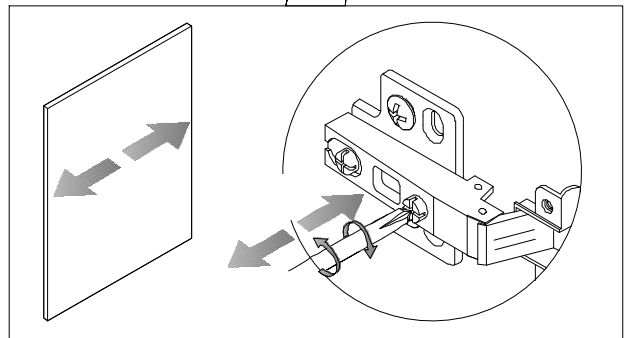
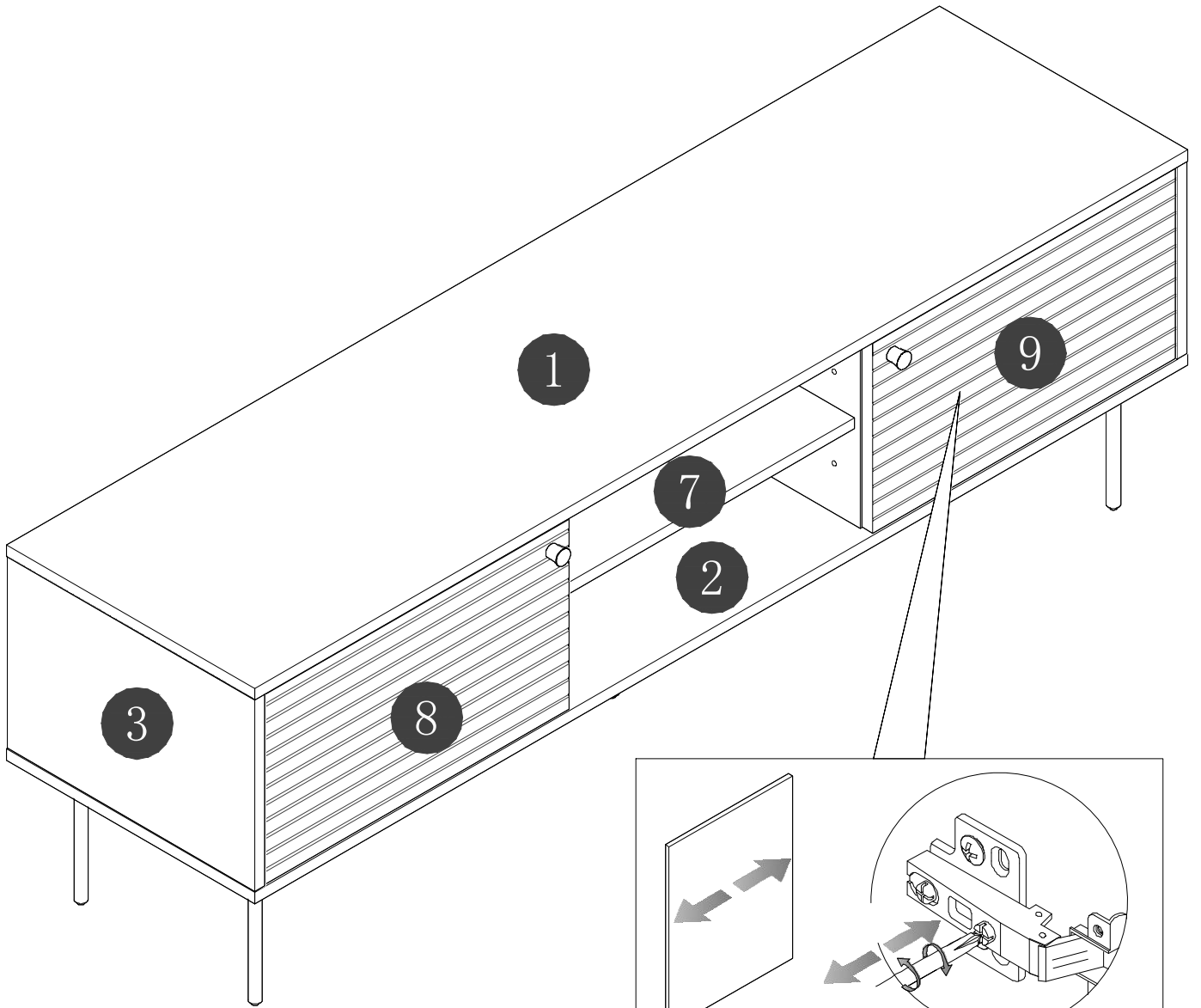
STEP 7



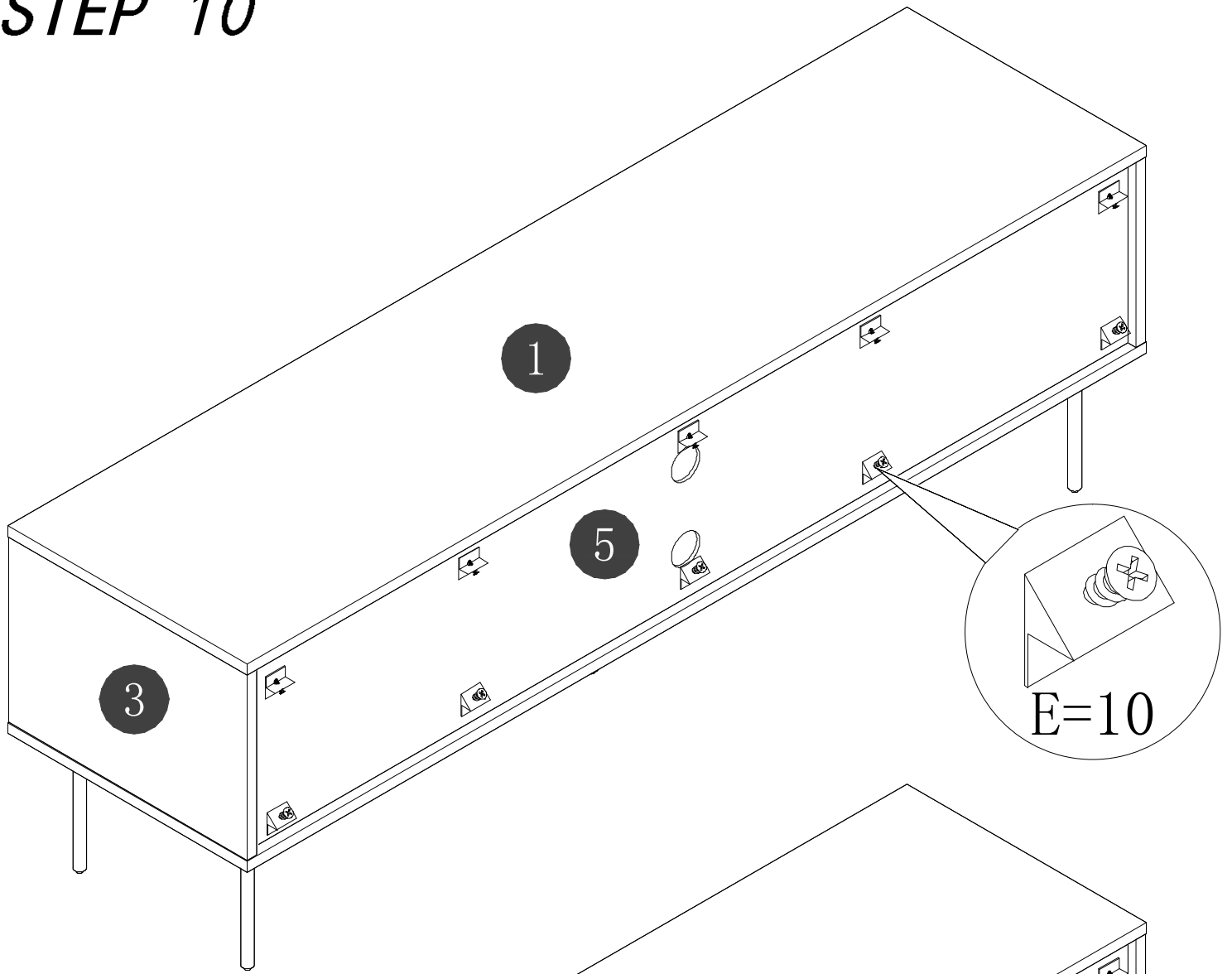
STEP 8



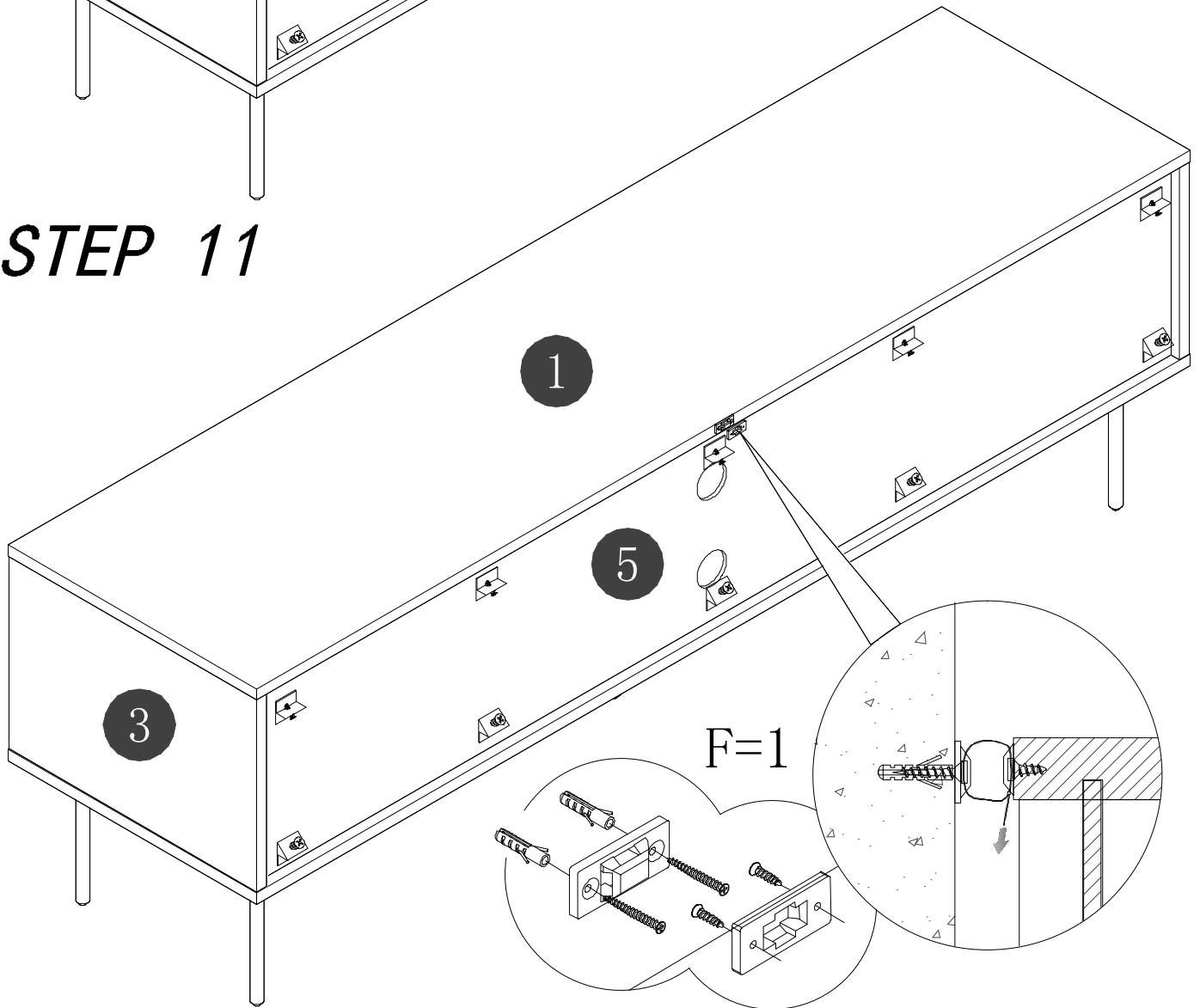
STEP 9



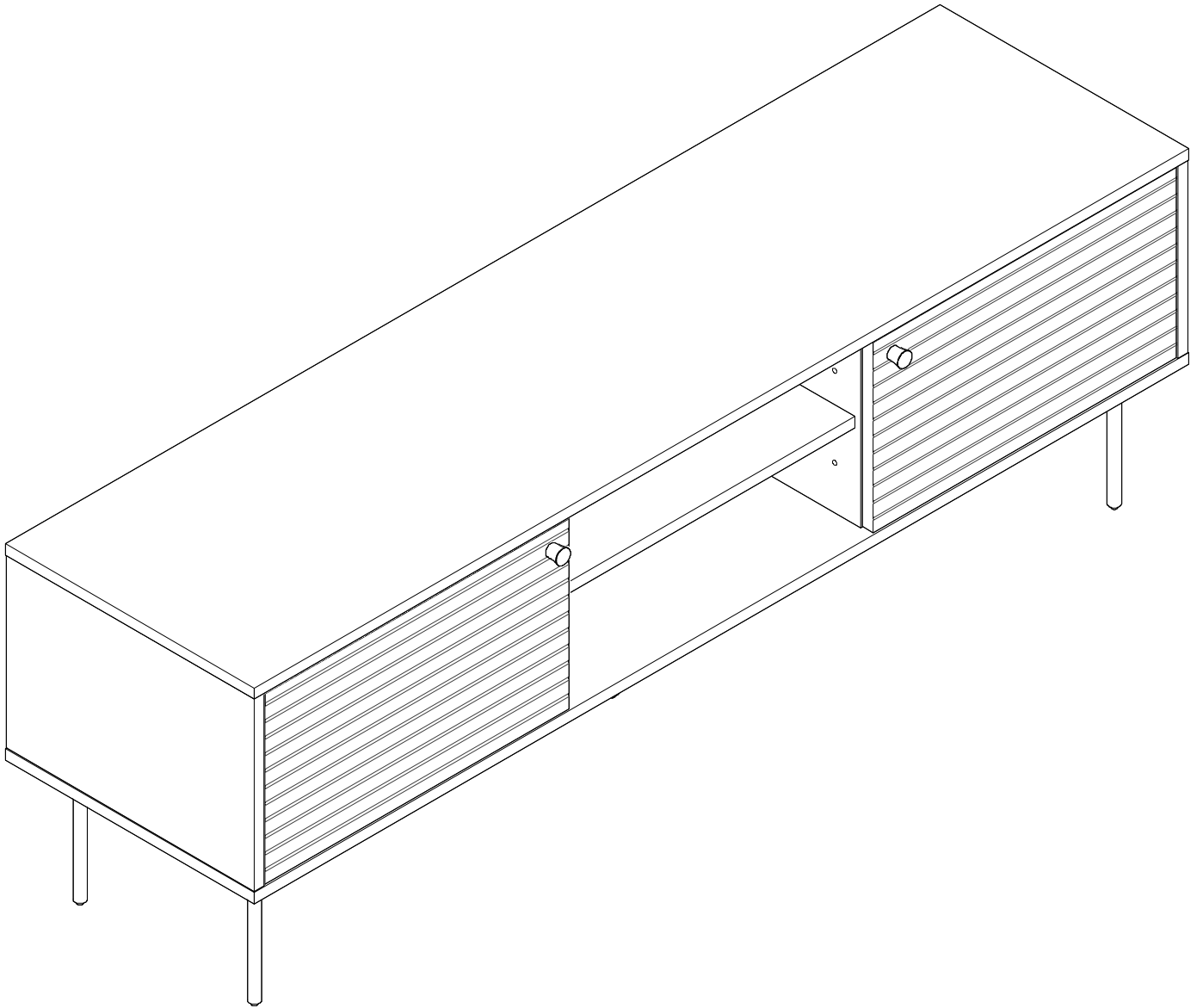
STEP 10



STEP 11



STEP 12



Finish