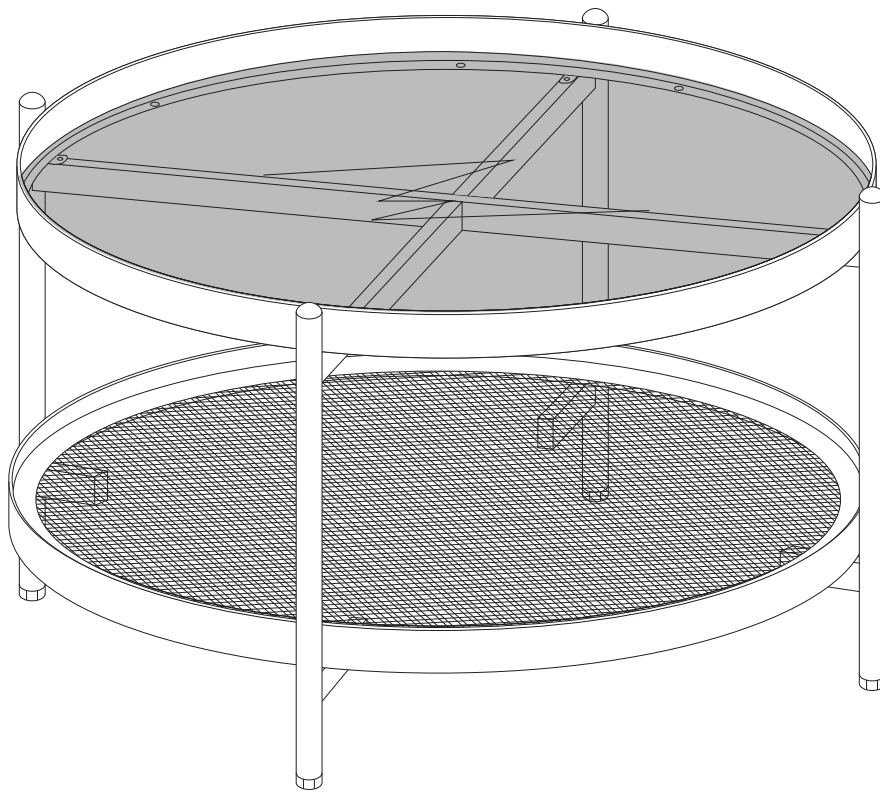
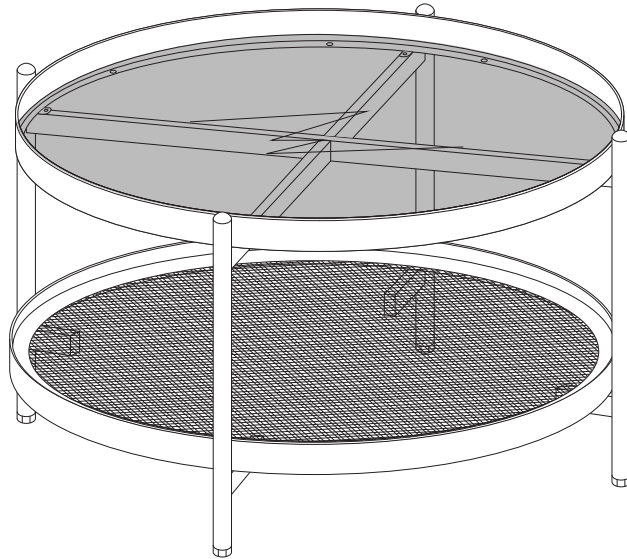
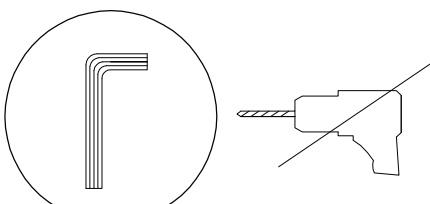

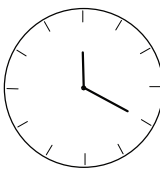
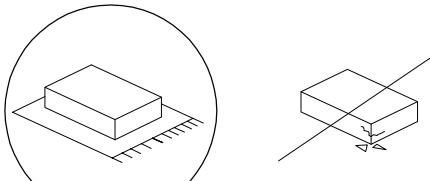

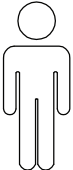


# RENO



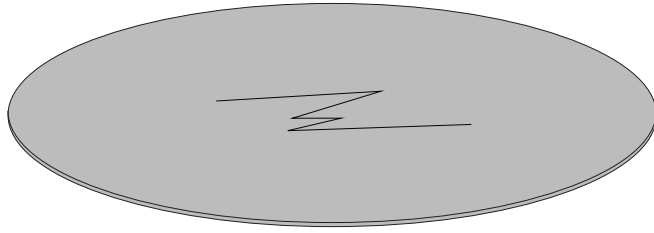


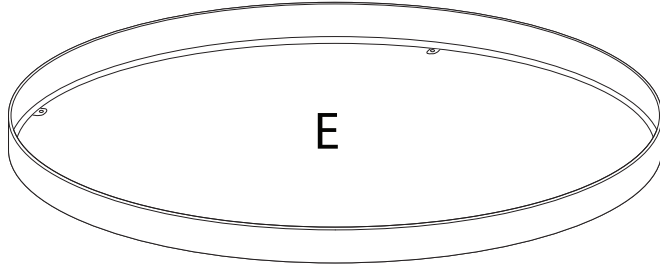
20'

2

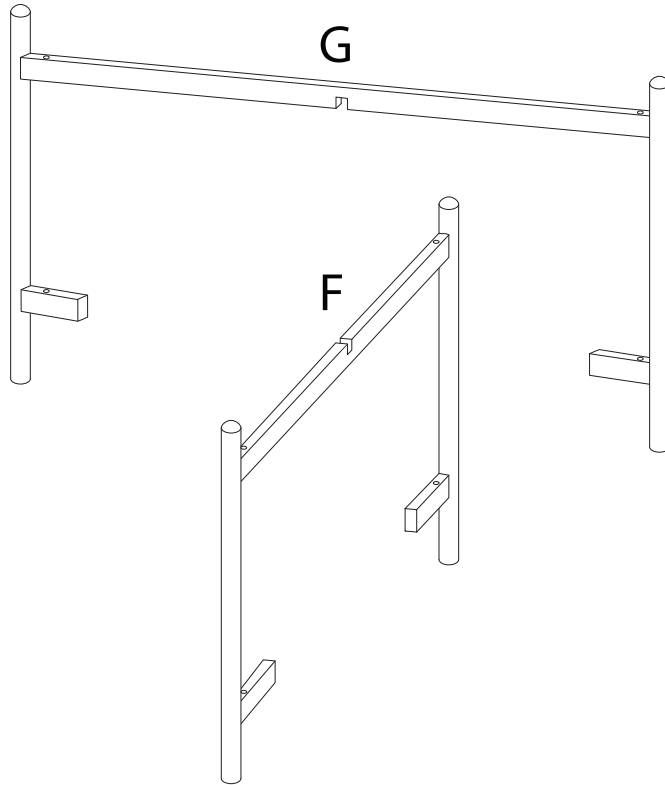
I



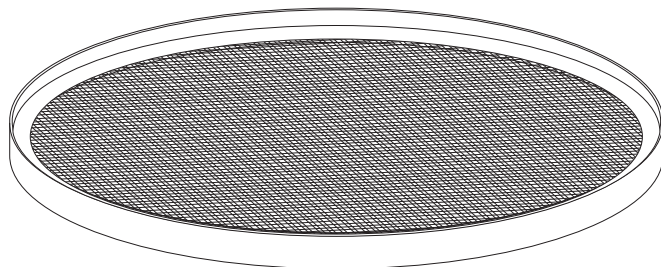
E



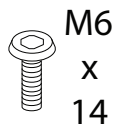
G



H

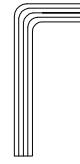


A



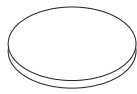
x 4

B



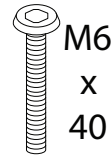
x 1

C



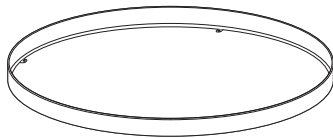
x 6

D



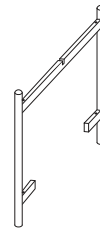
x 4

E



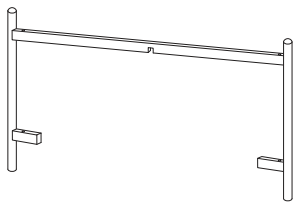
x 1

F



x 1

G



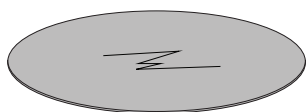
x 1

H



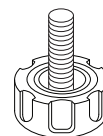
x 1

I



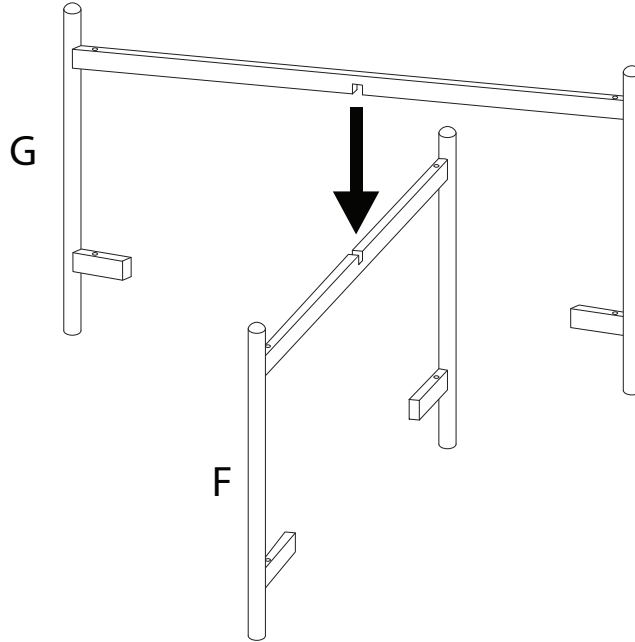
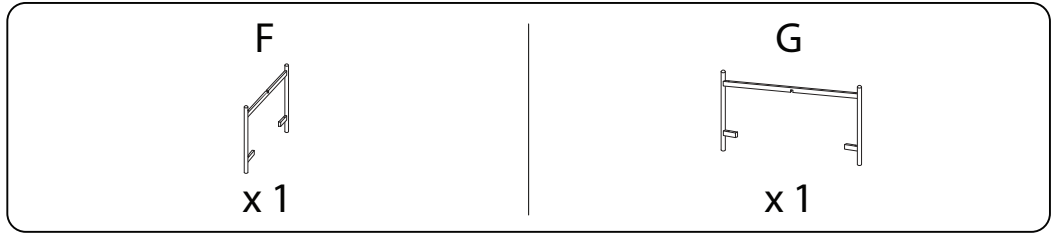
x 1

J

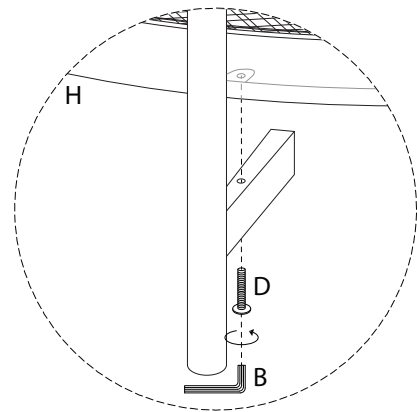
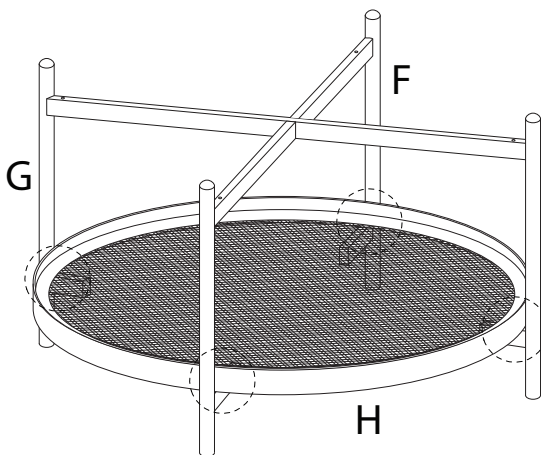
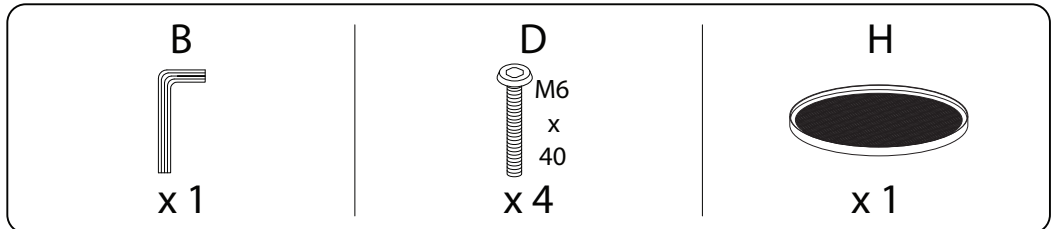


x 4

1



2

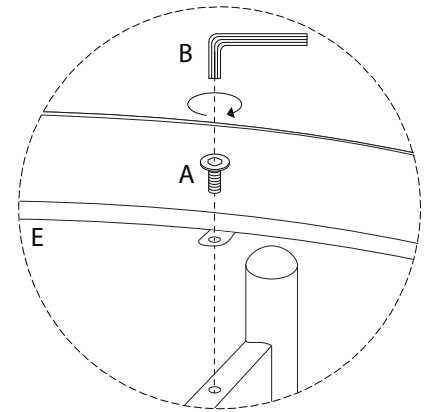
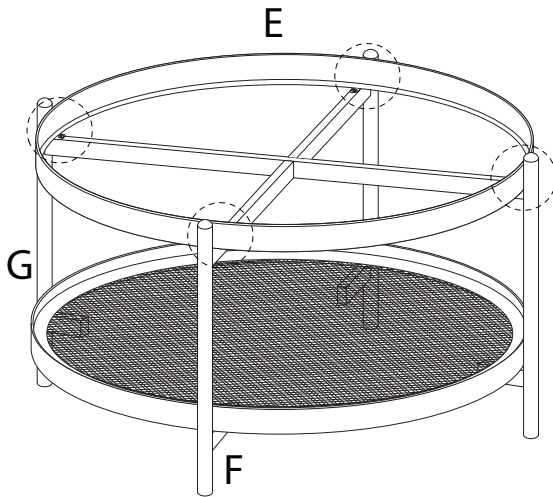


3

A  
M6  
x  
14  
x 4

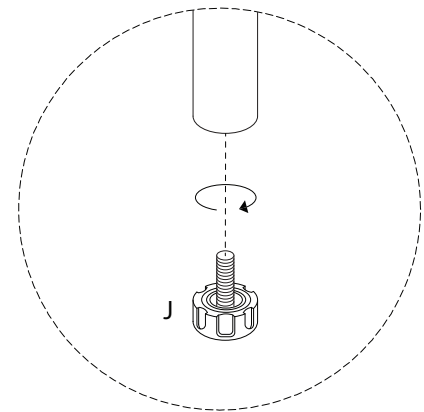
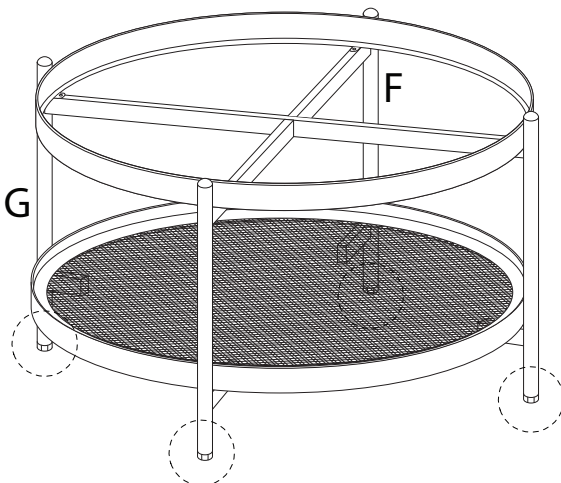
B  
x 1

E  
x 1



4

J  
x 4

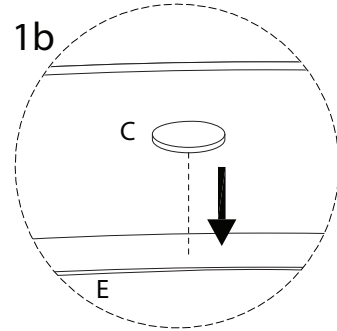
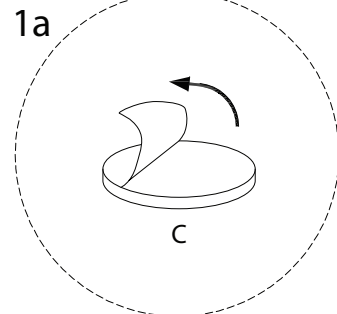
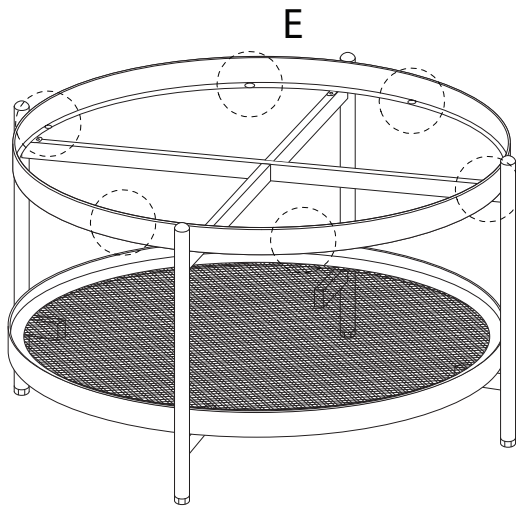


5

C



x 6



6

I



x 1

