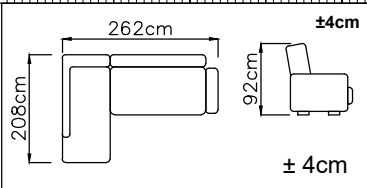
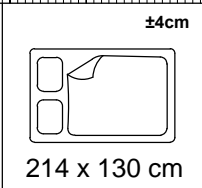
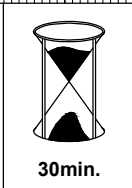
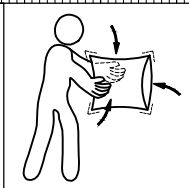
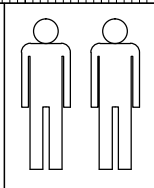


2023-08-08



# Senso-SET3

**L**

1. 2. 3. L 4. x3 x1 x1 x3 x1

**a. x 6**

Senso

**b. x 2**

MON00944

**c. x 7**

Ø50x15  
MON00341

**d. x 4**

M6x45  
MME00224

**e. x 7**

5x35  
MME00147

**R**

1. 2. 3. R 4. x3 x1 x1 x3 x1

**f. x 18**

M6x25  
MME00206

**g. x 3**

8 x 24  
MME00017

**h. x 2**

M6x80  
MME00327

**i. x 1**

M8x50  
MME00331

**j. x 1**

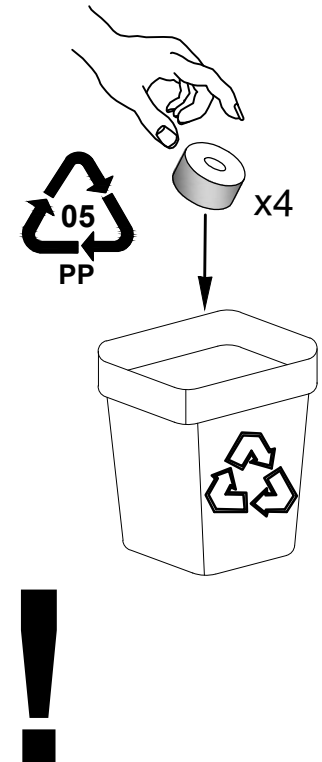
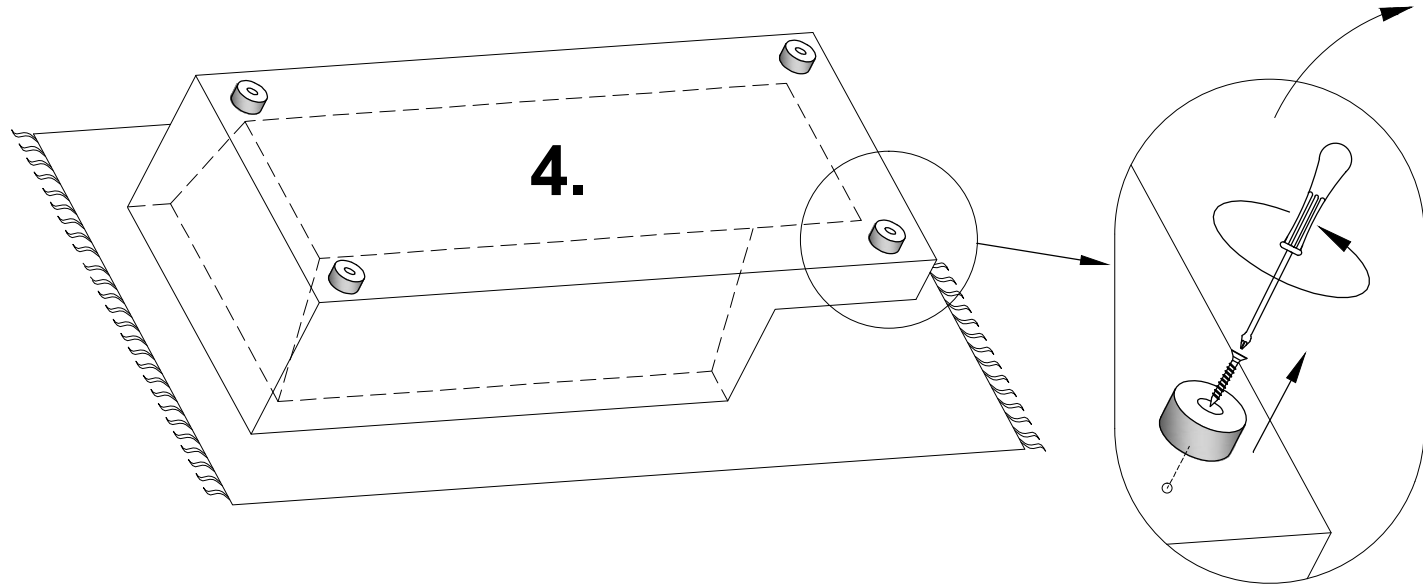
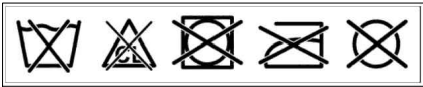
"5"  
MIW00006

**k. x 1**

"4"  
MIW00062

**I**

L 4. R



2023-08-08

# Senso-SET3

II

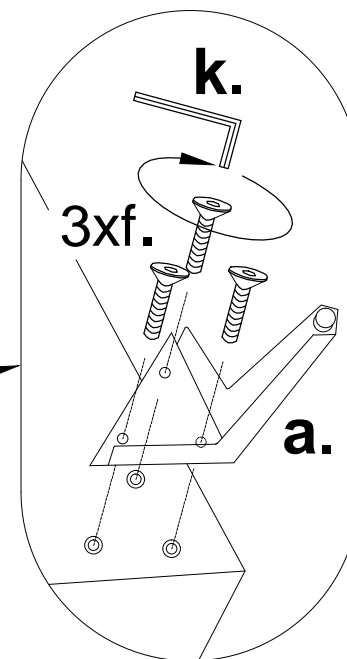
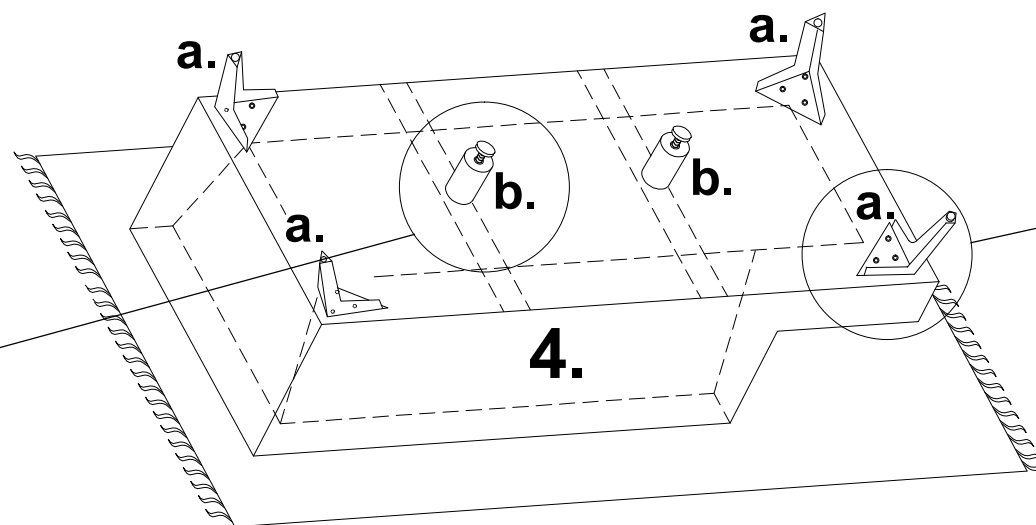
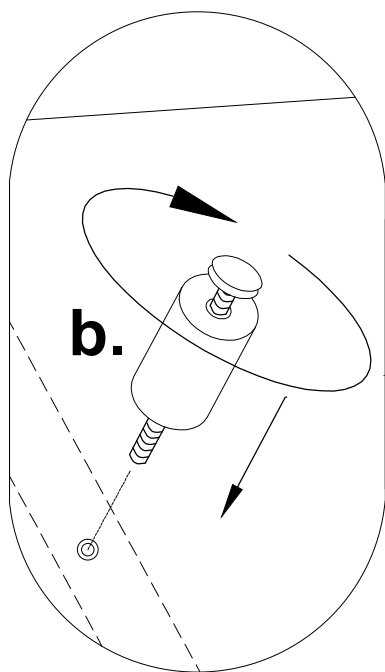


a. x 4  "140"

b. x 2 

f. x 12  M6x25

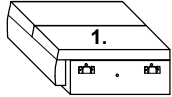
k. x 1  "4"



2023-08-08

# Senso-SET3

III



R

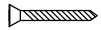
L

c. x 7

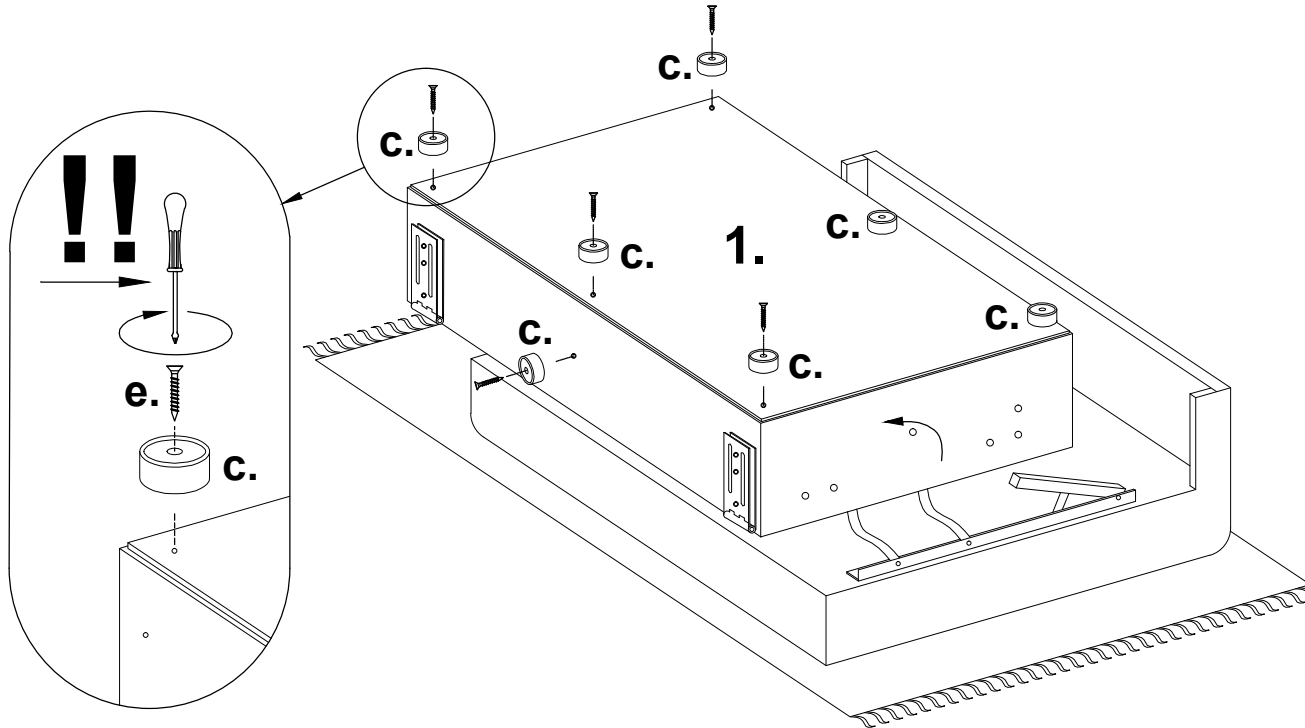


Ø50x15

e. x 7



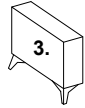
5x35



2023-08-08

# Senso-SET3

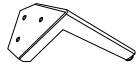
IV



R

L

a. x 2



"140"

f. x 6

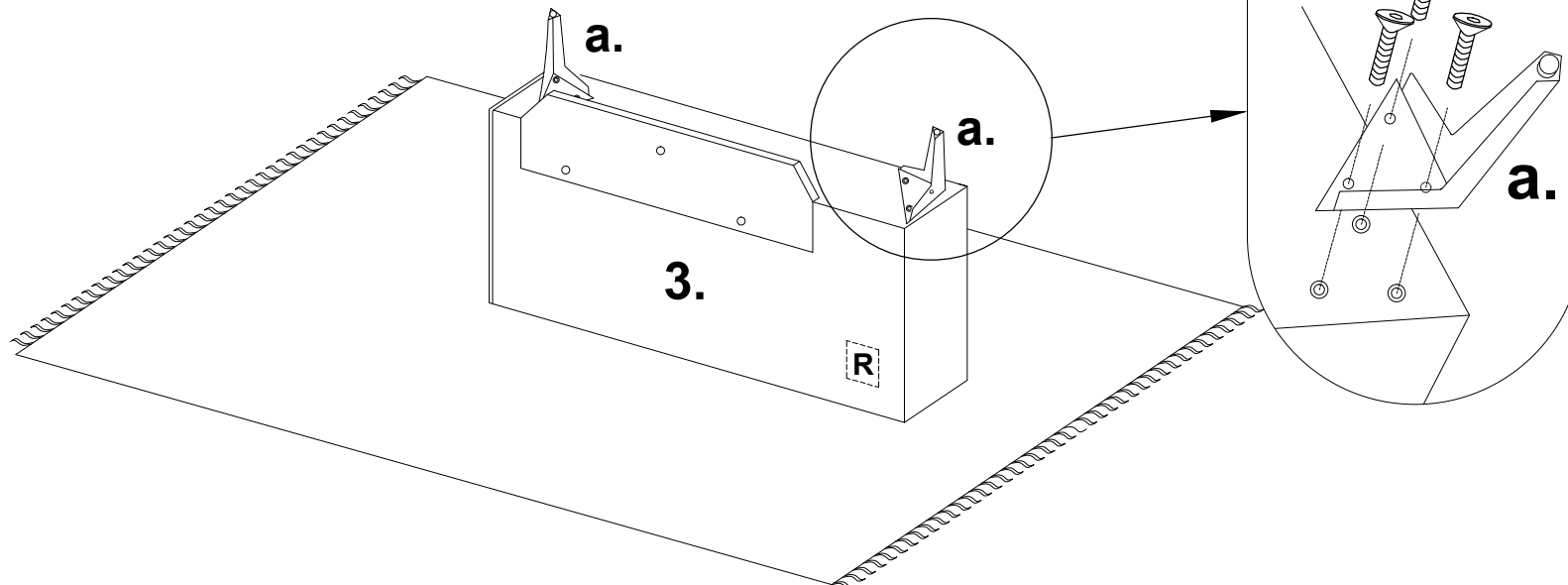


M6x25

k. x 1



"4"



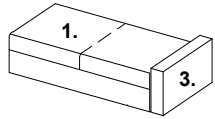


2023-08-08

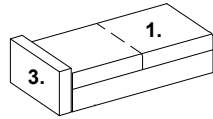
# Senso-SET3

V

L




R



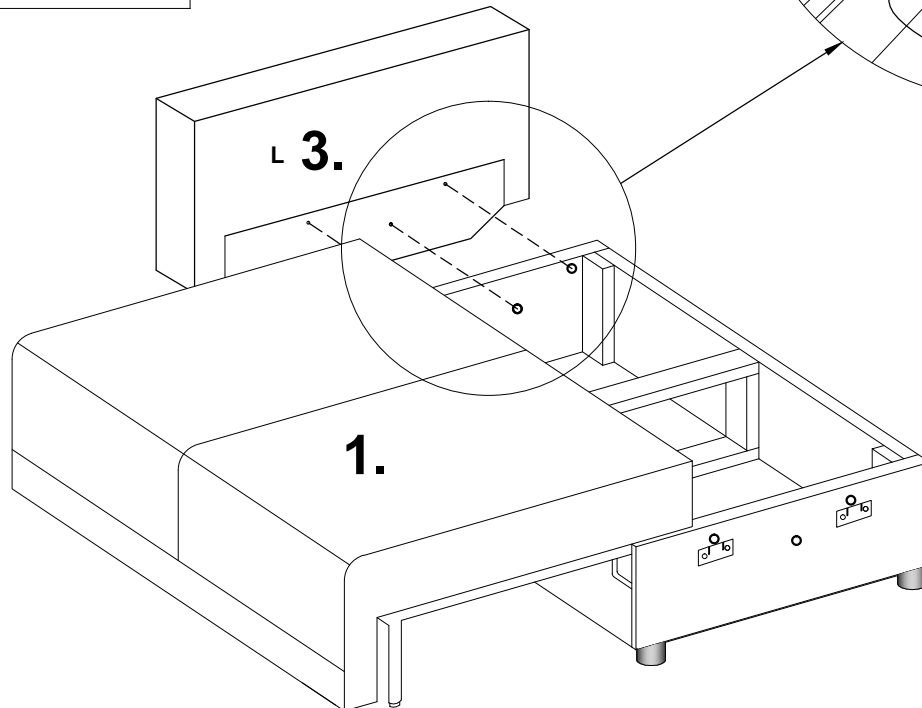
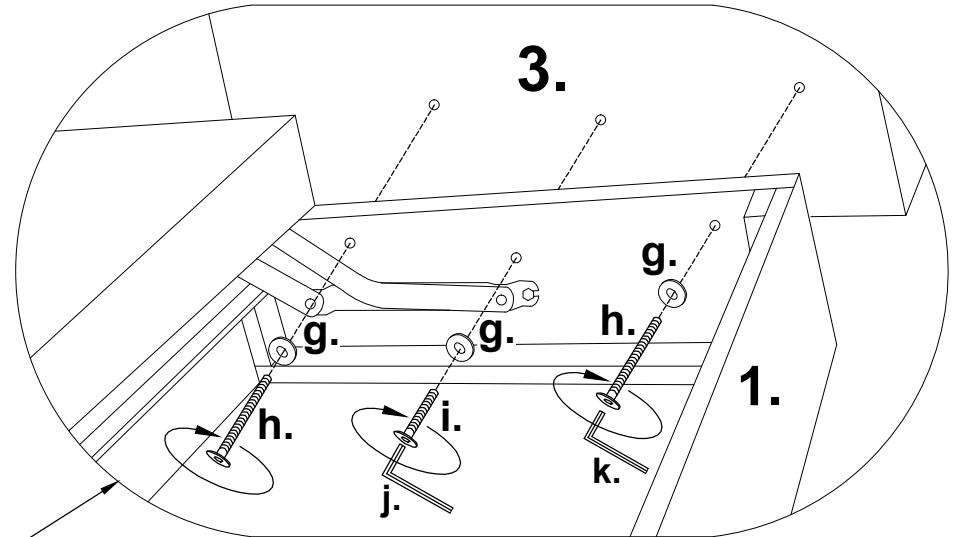
h. x 2  M6x80

i. x 1  M8x50

g. x 3  M8x24

j. x 1  "5"

k. x 1  "4"

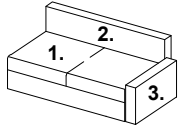


2023-08-08

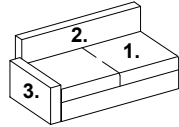
# Senso-SET3

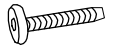
VI

L

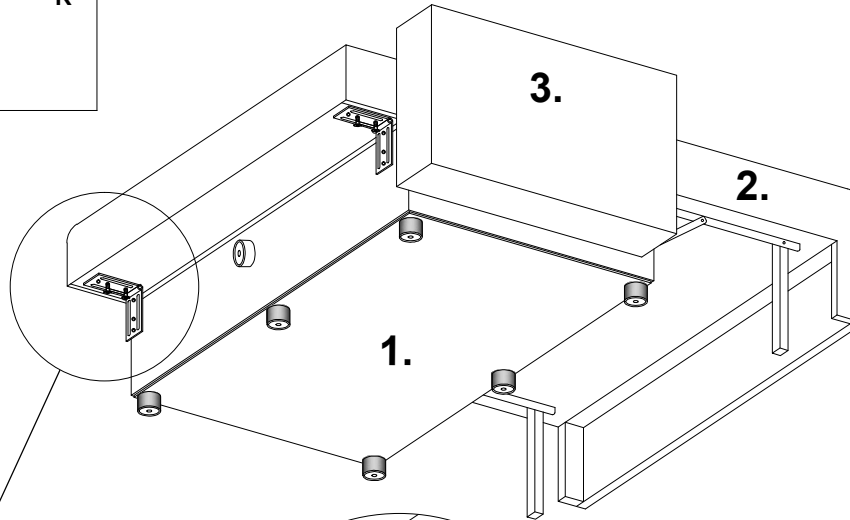
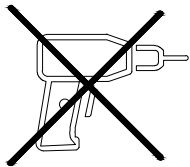


R

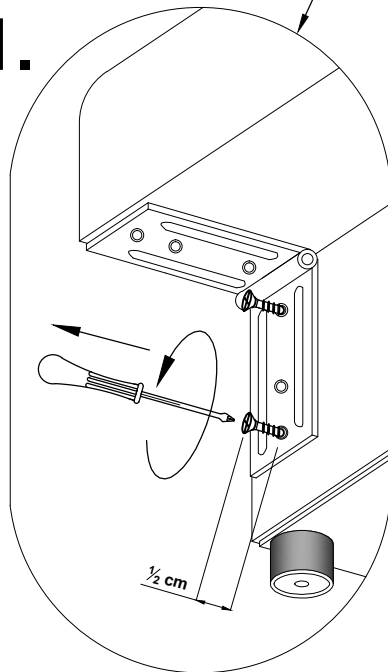


d. x 4  M6x45

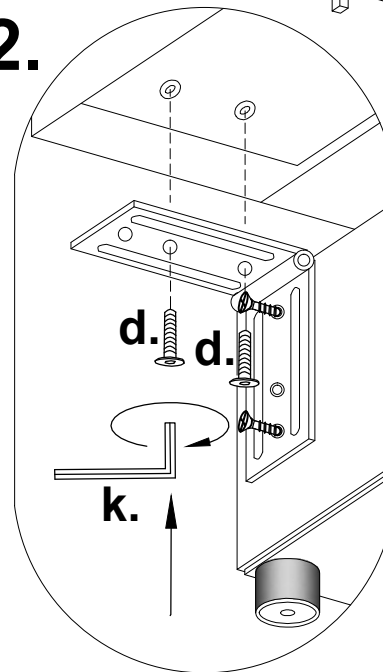
k. x 1  "4"



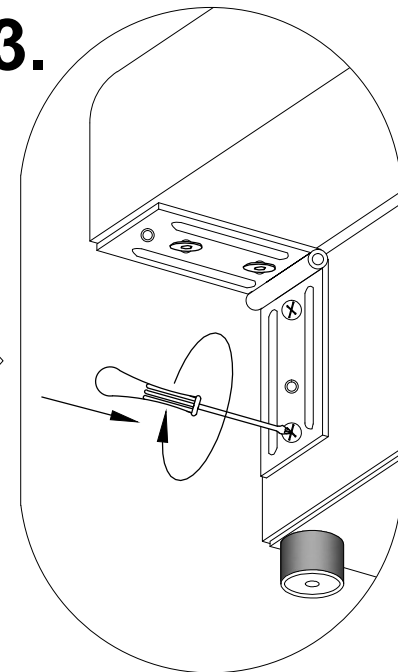
1.



2.



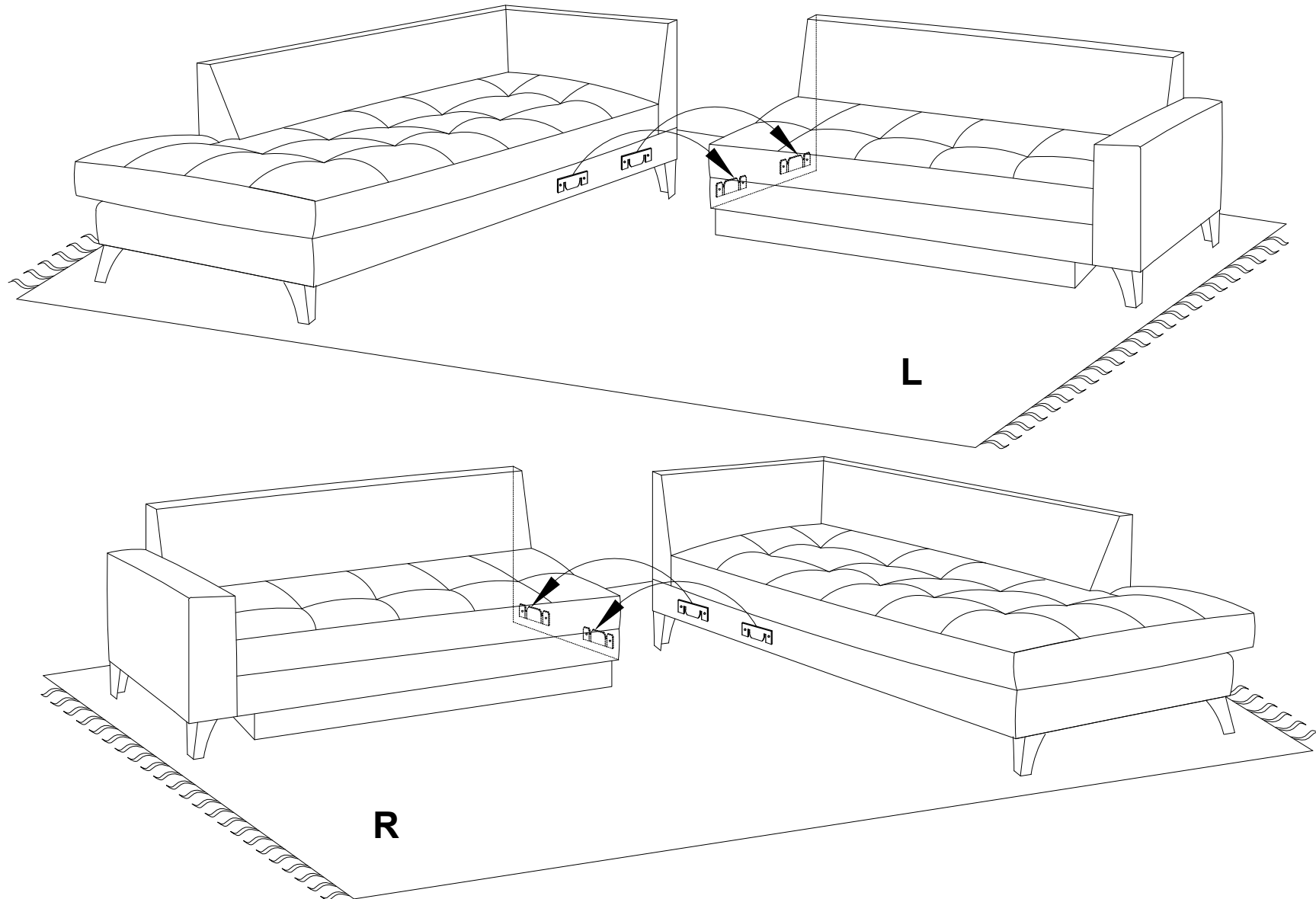
3.



2023-08-08

# Senso-SET3

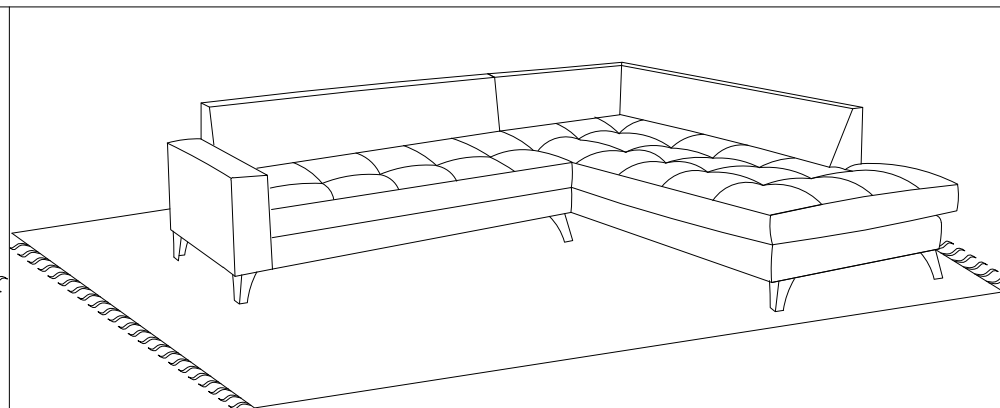
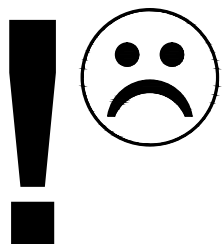
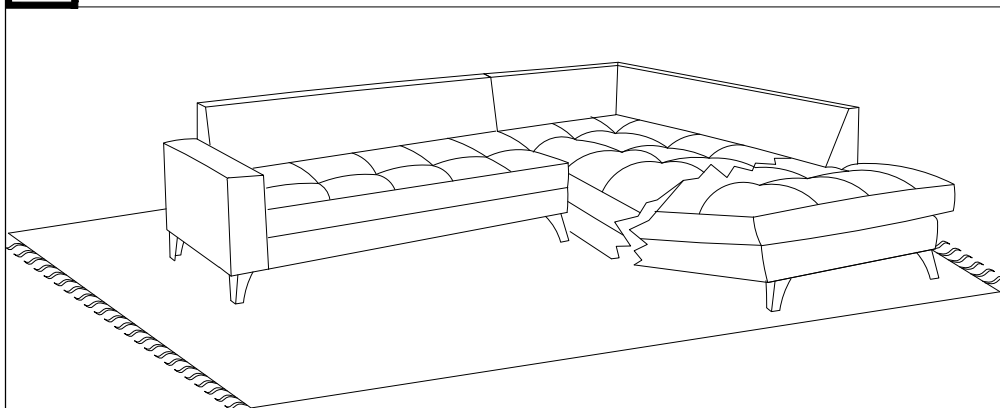
VII



2023-08-08

# Senso-SET3

VIII



x2

