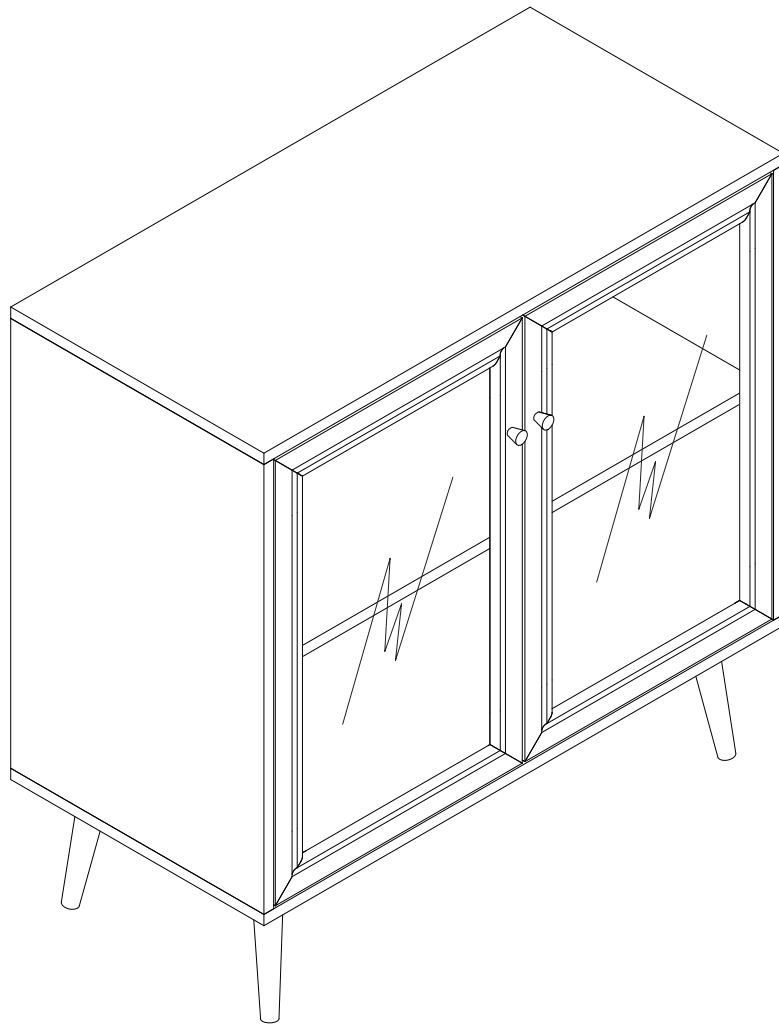
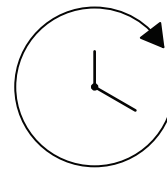
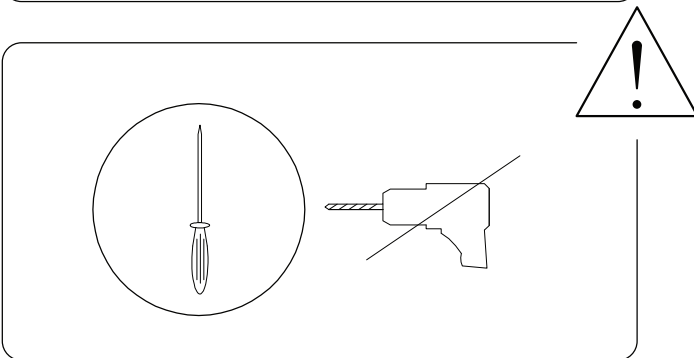
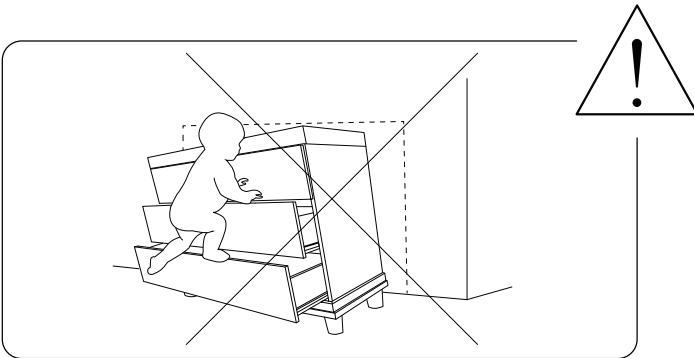
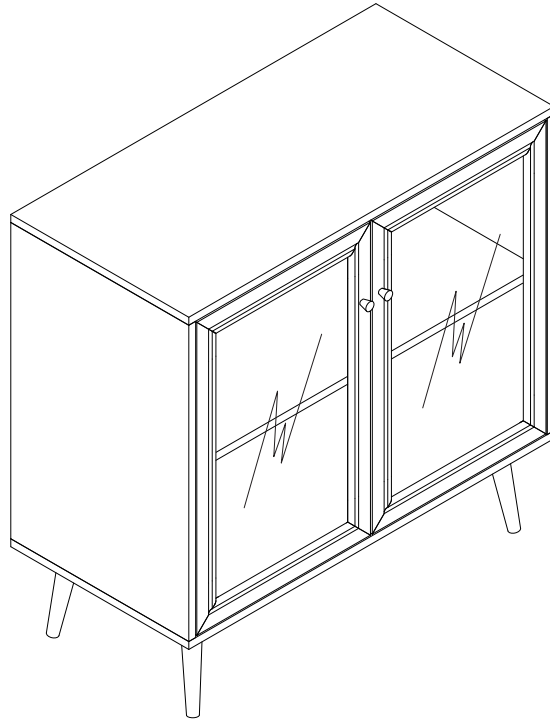
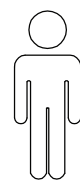
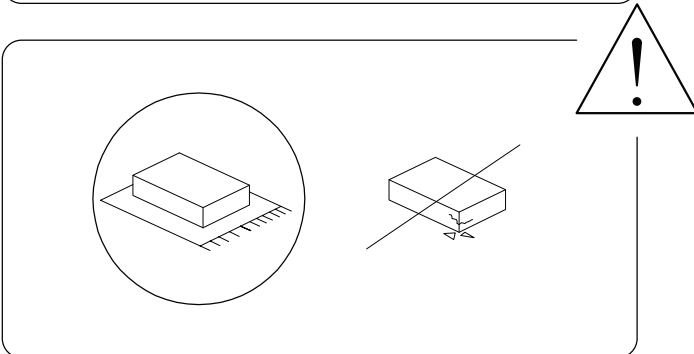


ALBANY

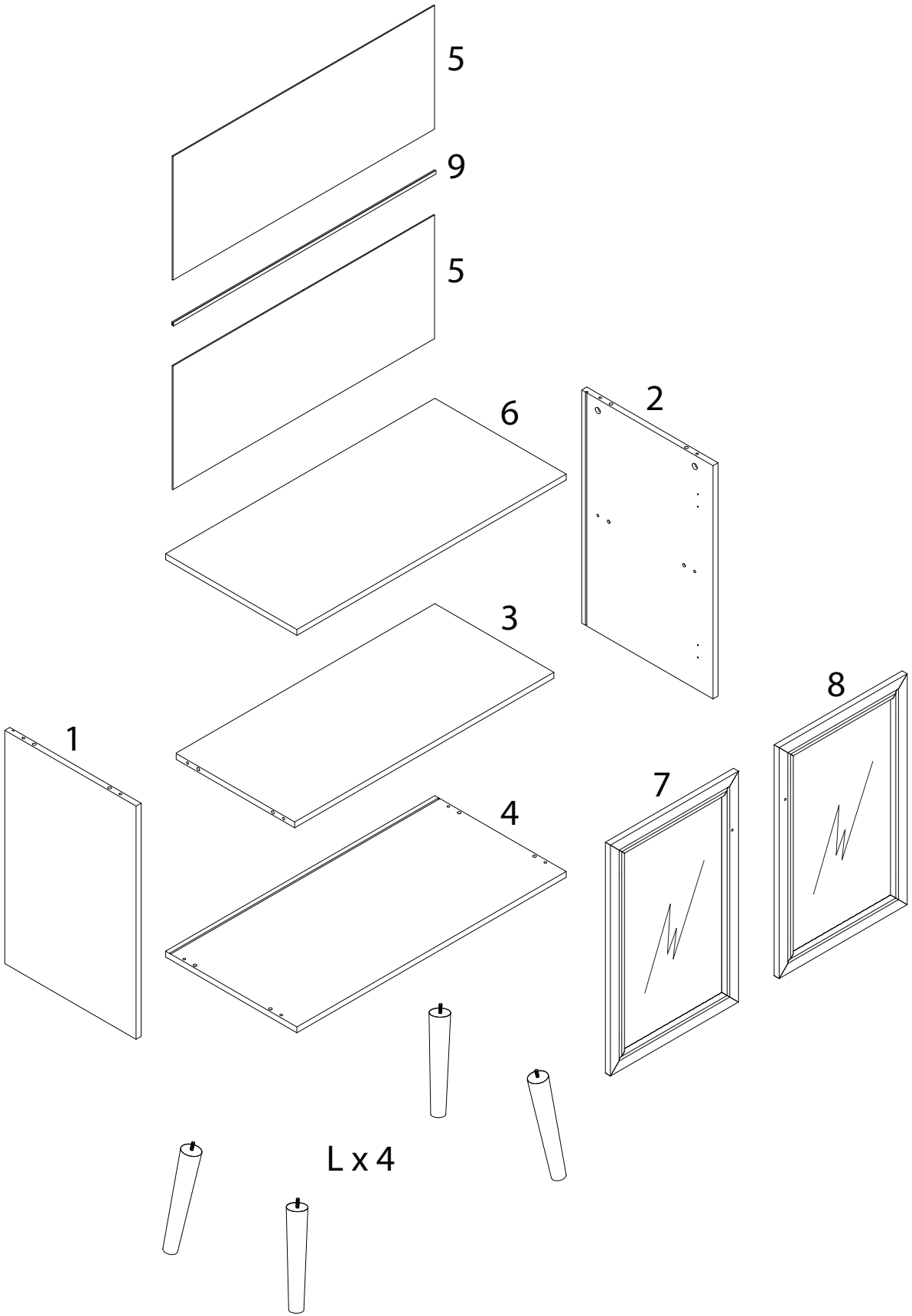


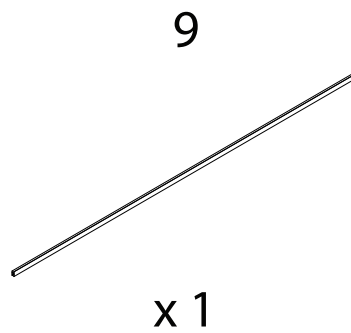
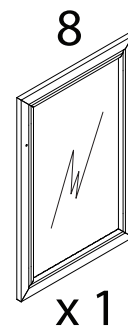
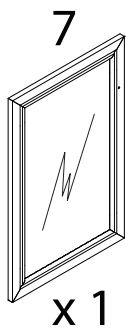
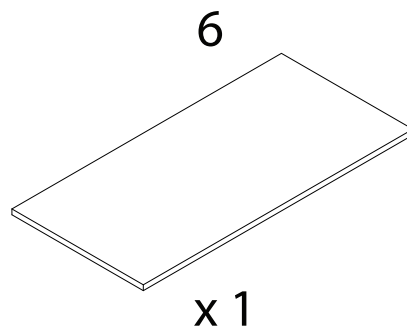
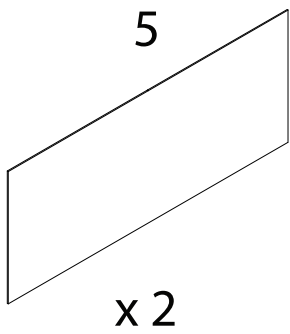
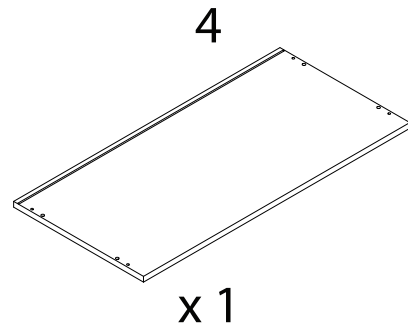
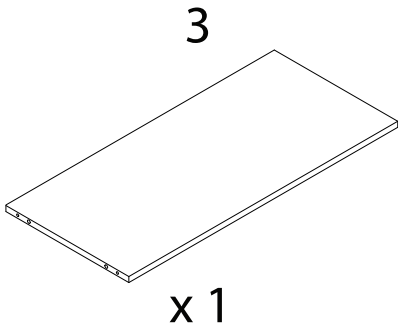
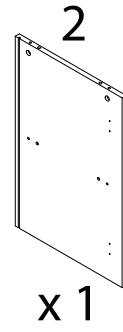
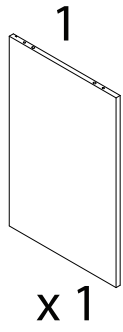


45'

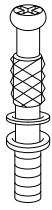


2



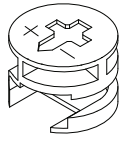


A



x 8

B



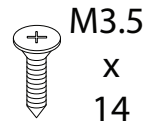
x 8

C



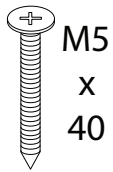
x 12

D



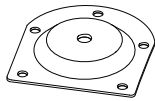
x 16

E



x 4

F



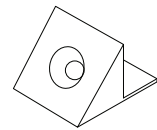
x 4

G



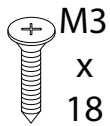
x 20

H1



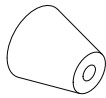
x 8

H2



x 8

I1



x 2

I2



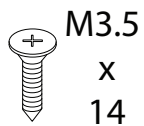
x 2

J1



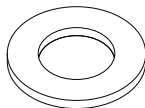
x 2

J2



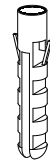
x 2

J3



x 4

J4



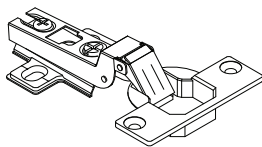
x 2

J5



x 2

K



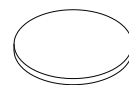
x 4

L



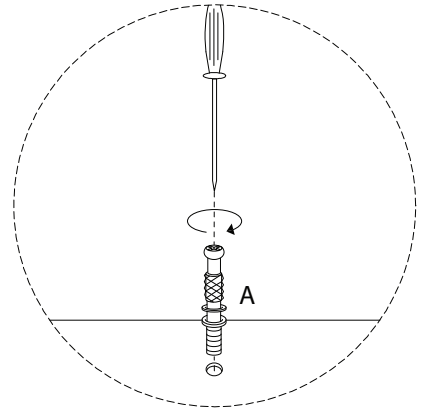
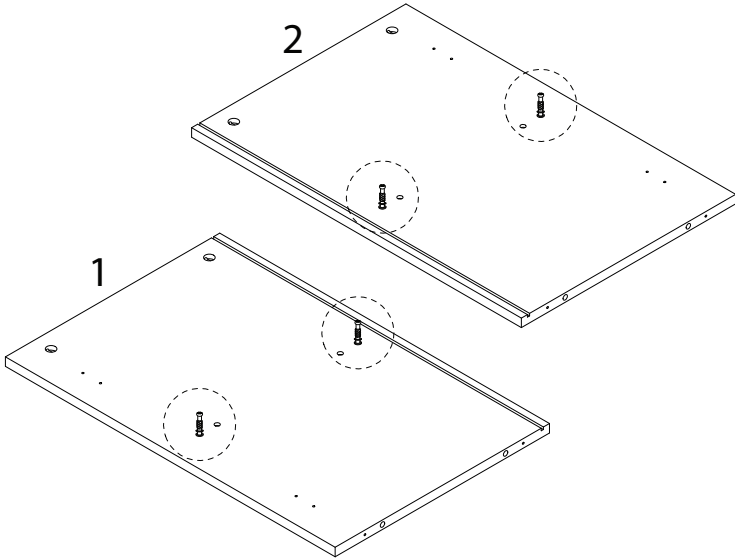
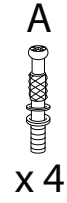
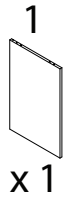
x 4

M

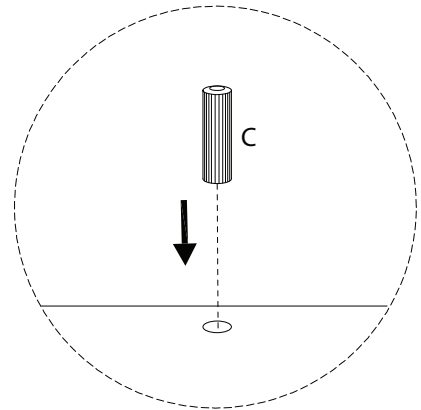
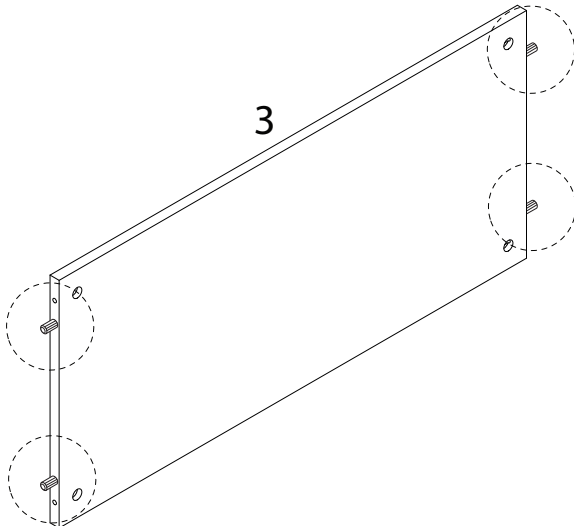
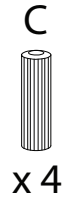
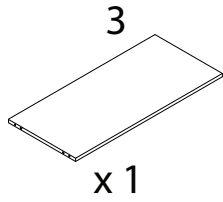


x 4

1



2

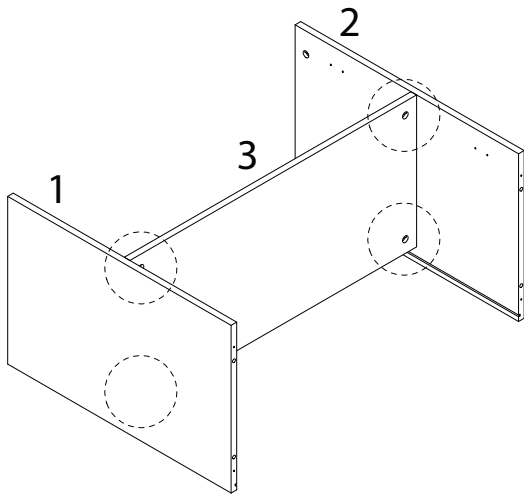


3

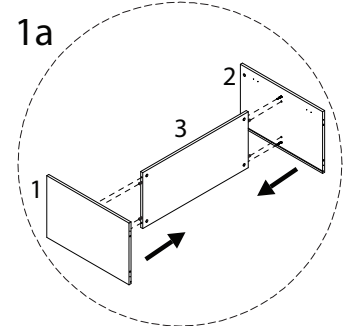
B



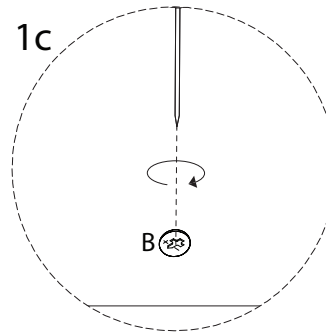
x 4



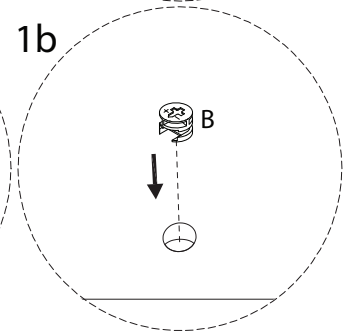
1a



1c



1b

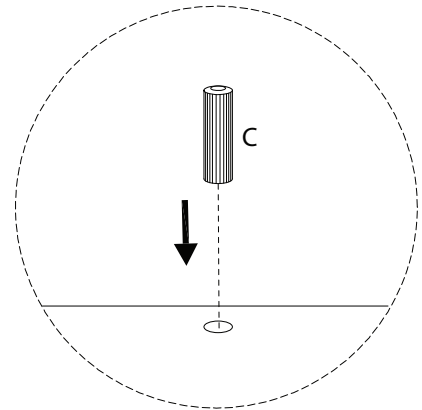
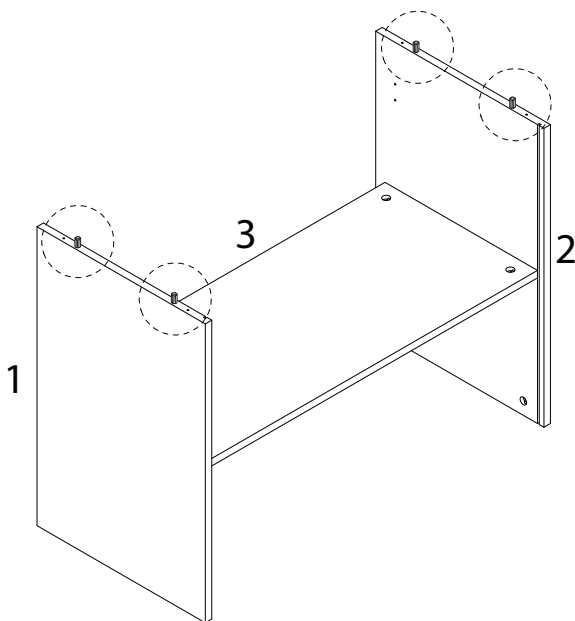


4

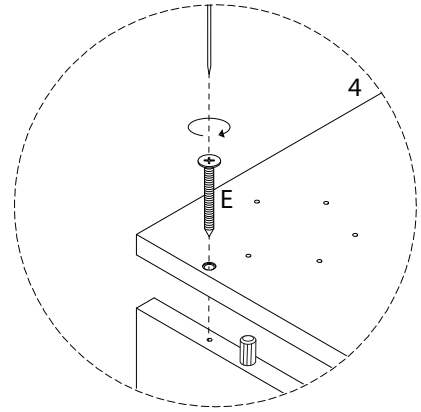
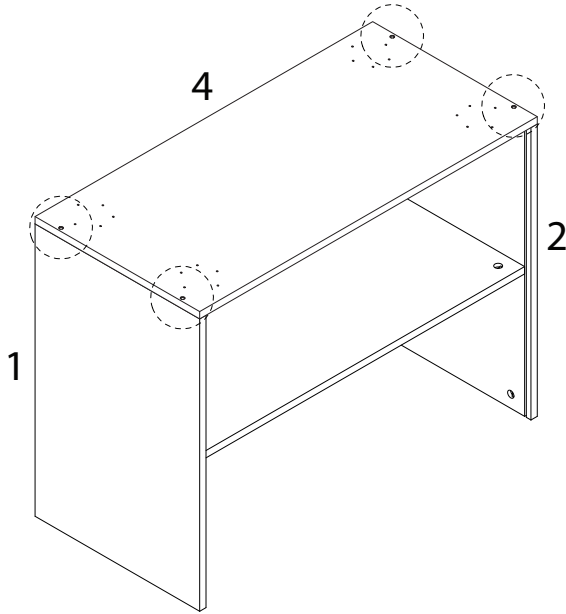
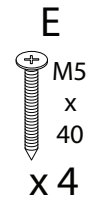
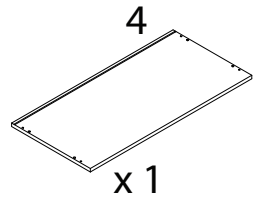
C



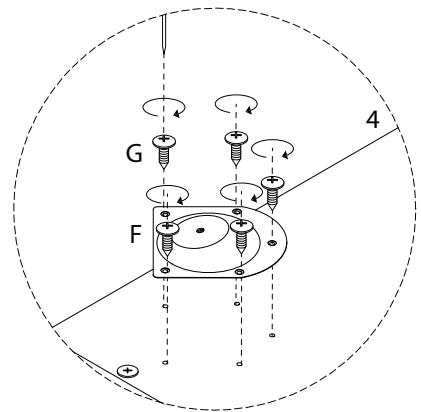
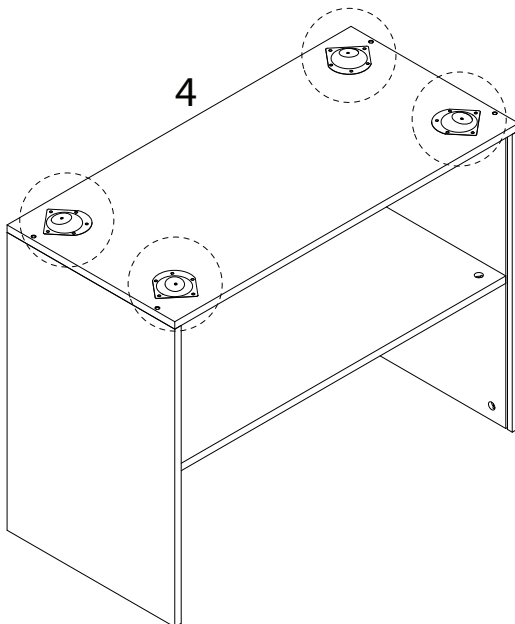
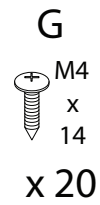
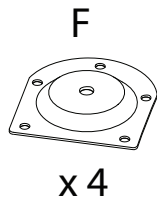
x 4



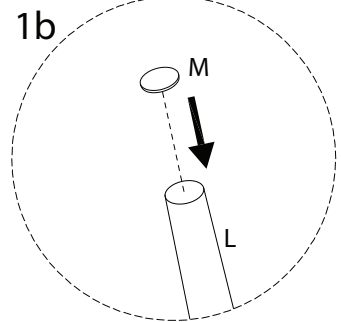
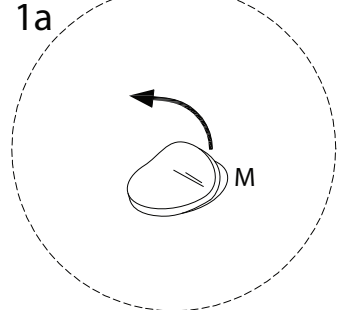
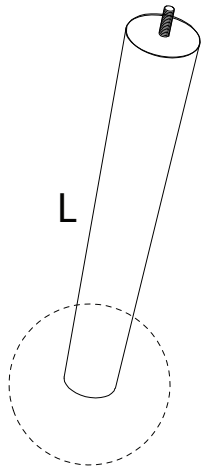
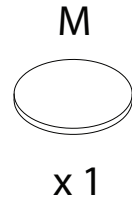
5



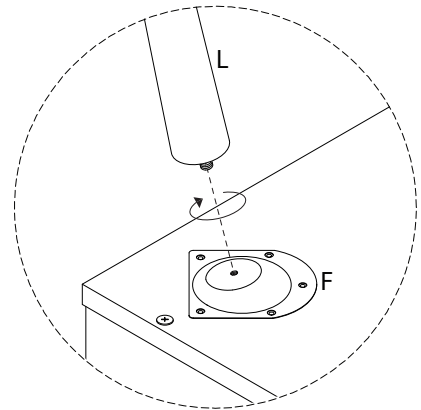
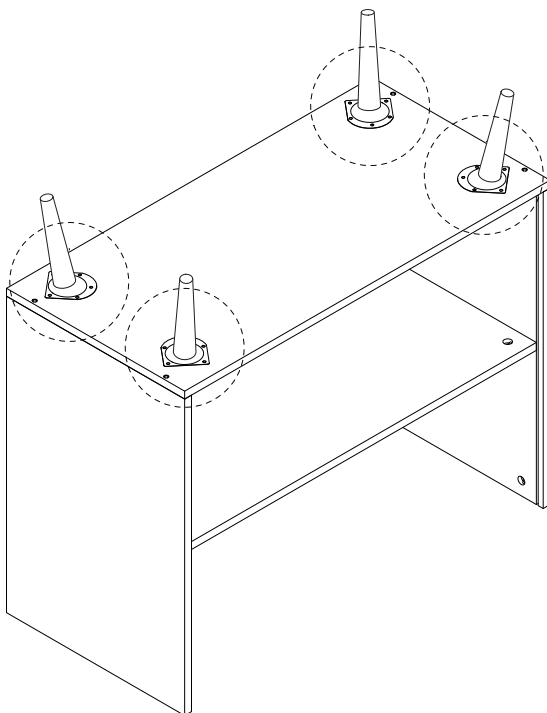
6



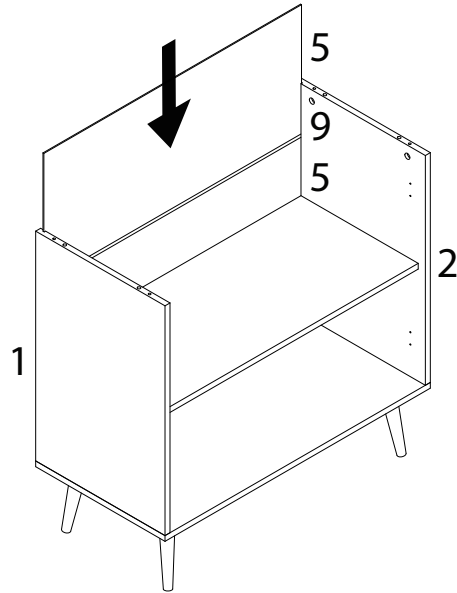
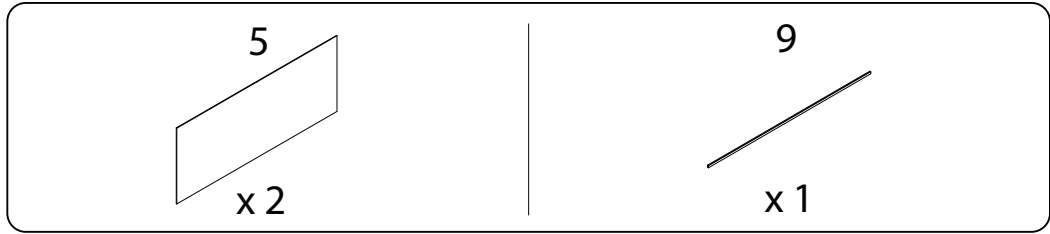
7 x 4



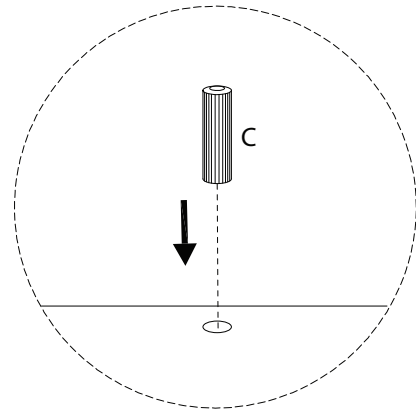
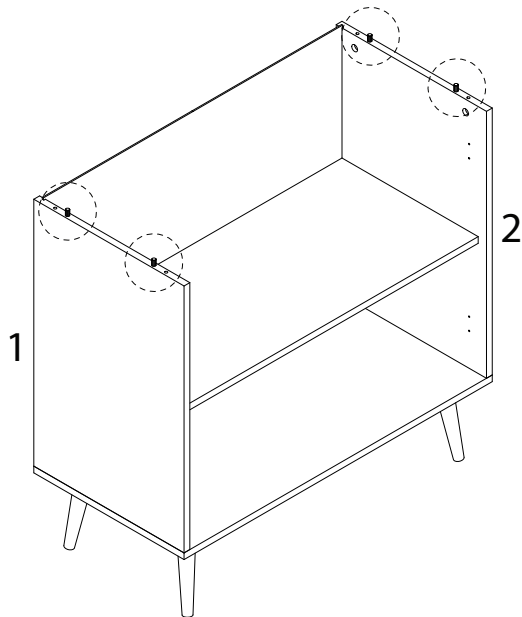
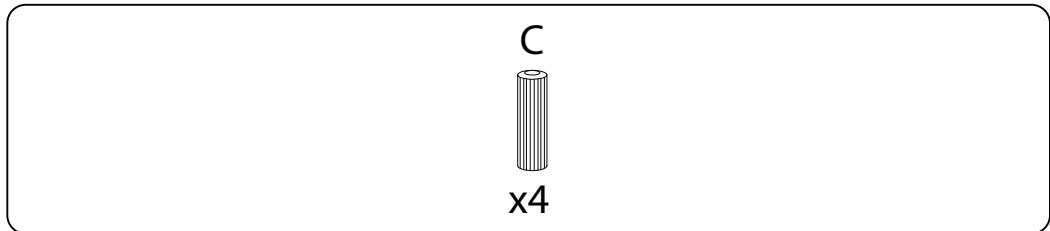
8



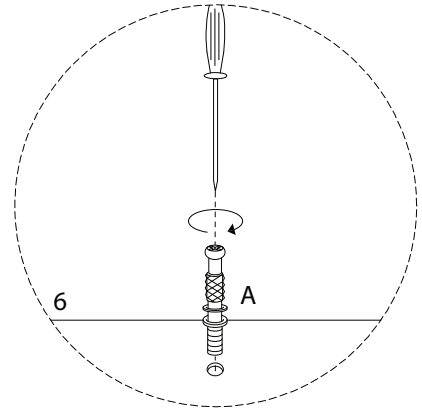
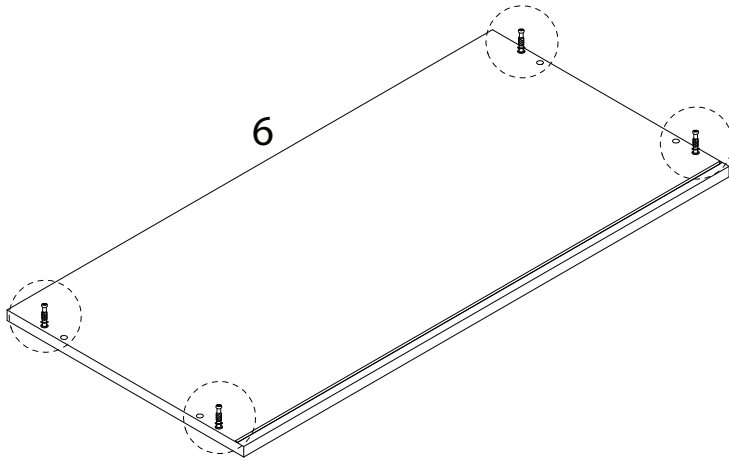
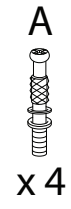
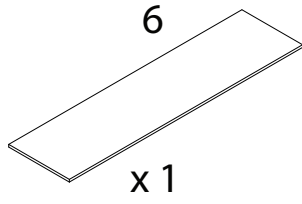
9



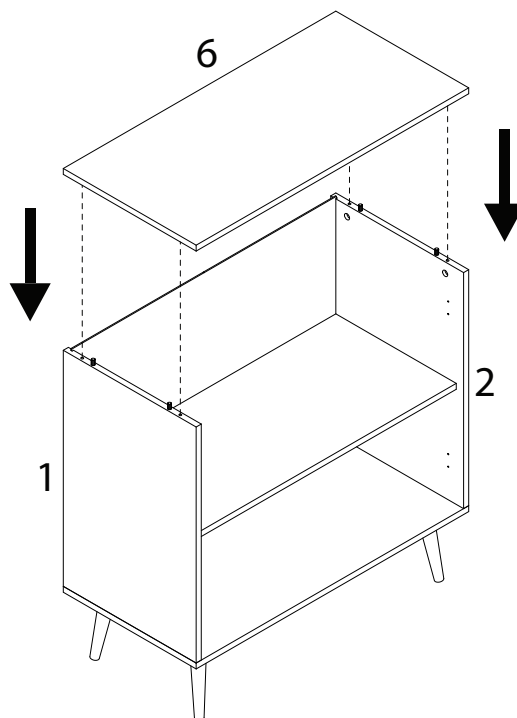
10



11



12

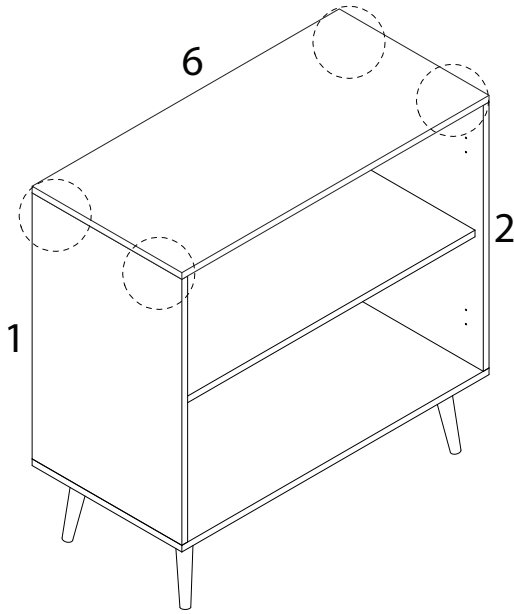


13

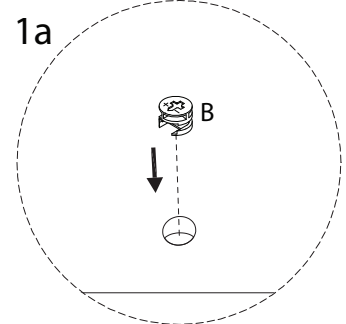
B



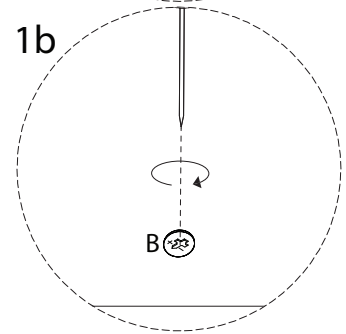
x 4



1a

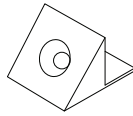


1b



14

H₁

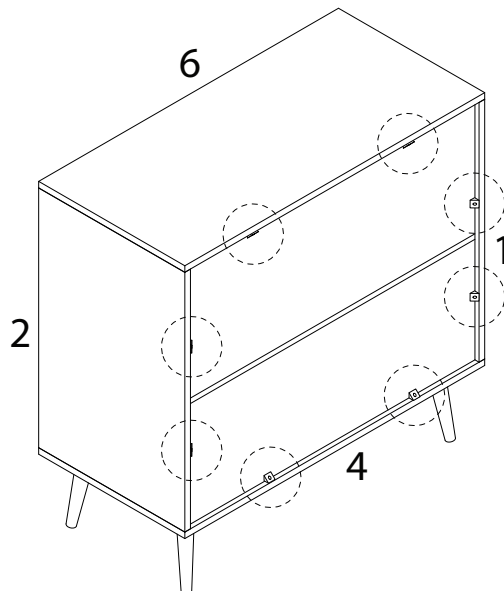


x 8

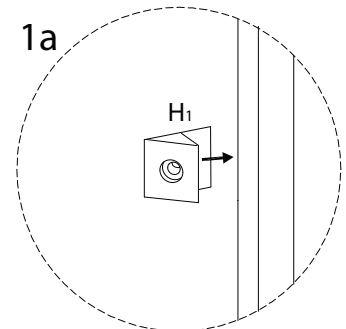
H₂



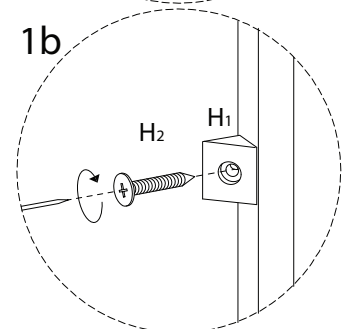
x 8



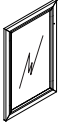

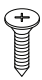
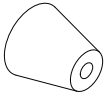

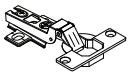
1a

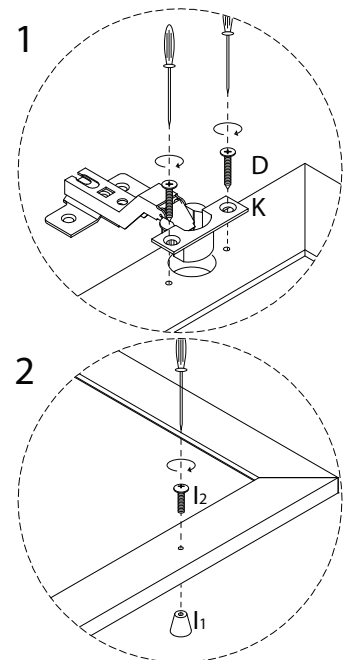
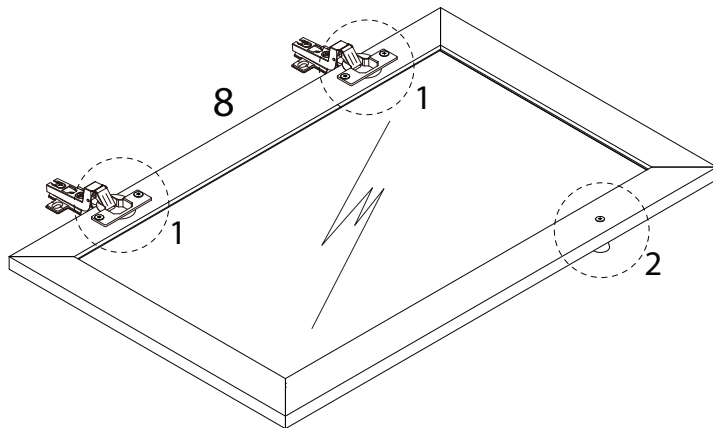
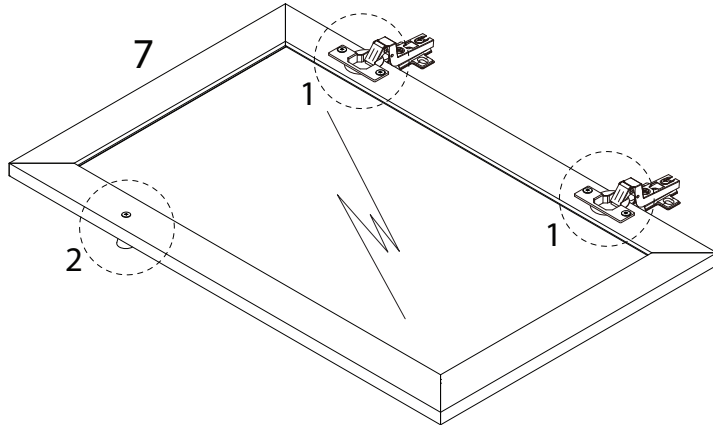


1b



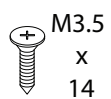
15

 <p>7 x 1</p>	 <p>8 x 1</p>	 <p>D M3.5 x 14 x 8</p>	 <p>l₁ x 2</p>	 <p>l₂ M4 x 19 x 2</p>	 <p>K x 4</p>
--	--	--	---	--	--

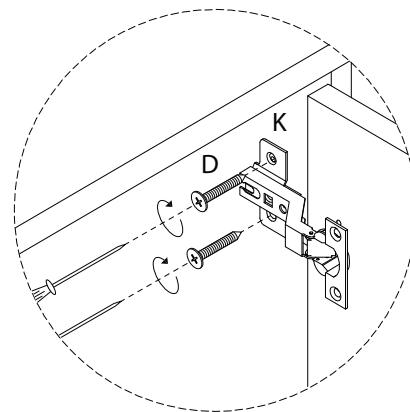
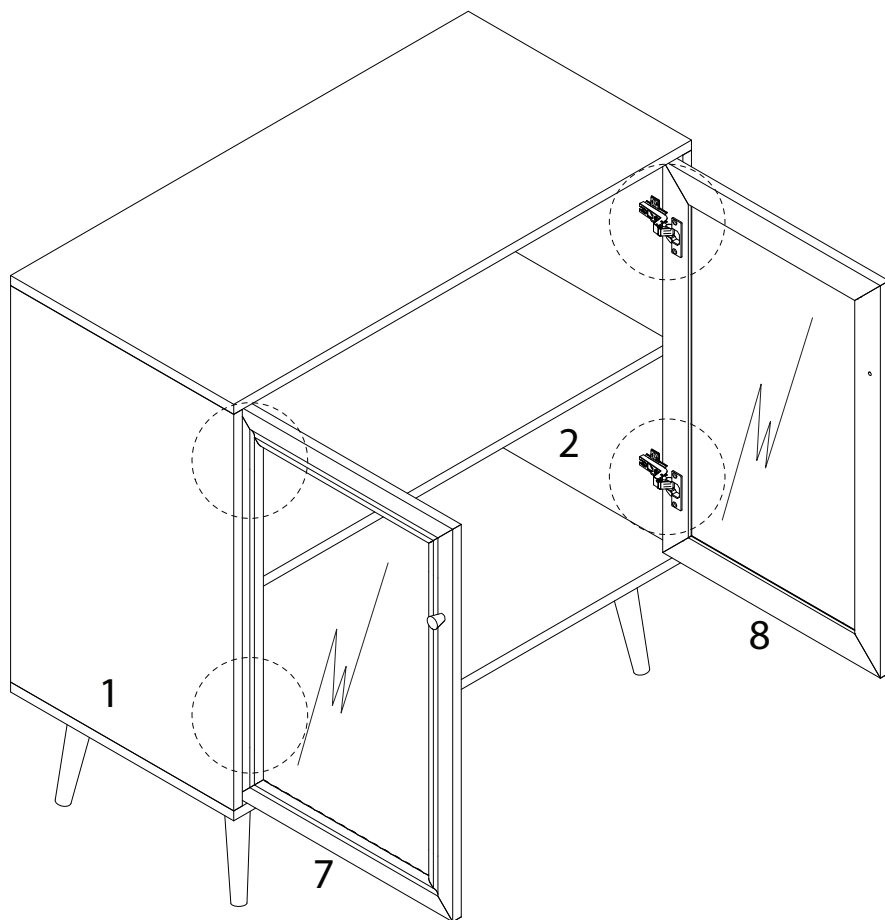


16


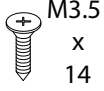
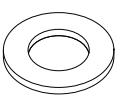
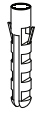

D

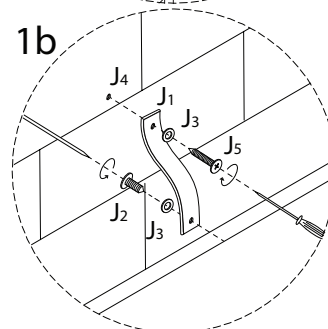
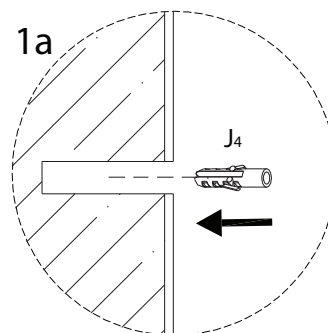
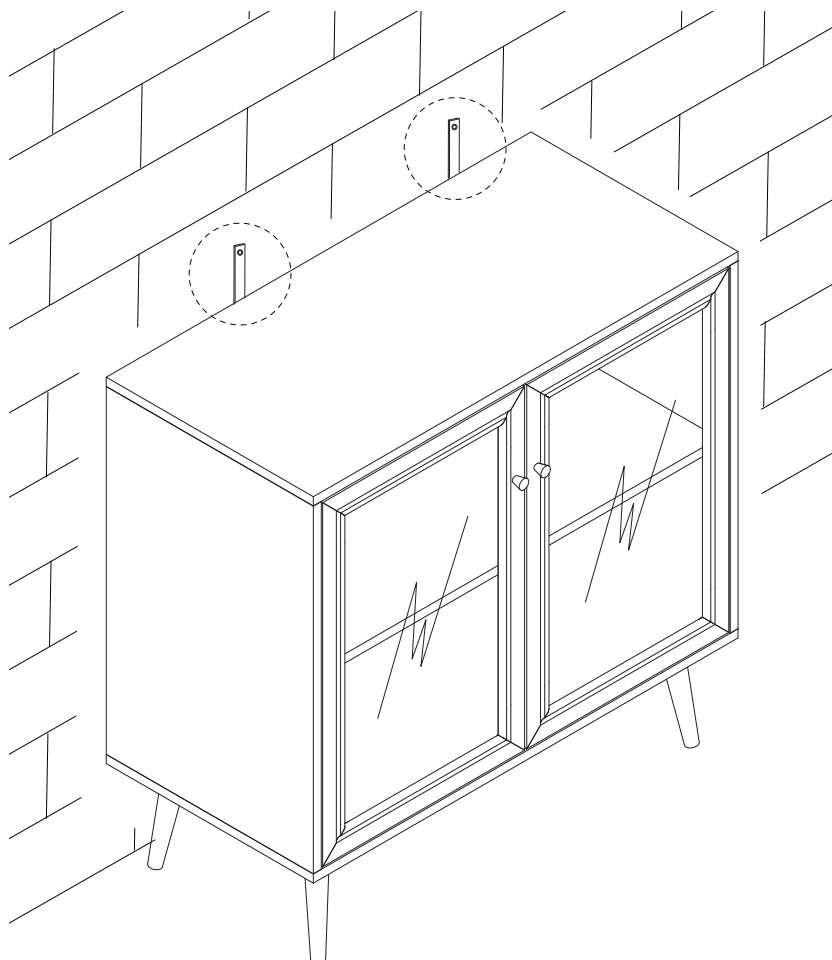


x 8



17

J1  x 2	J2  M3.5 x 14 x 2	J3  x 4	J4  x 2	J5  M4 x 30 x 2
--	---	--	--	---



!

