

# ASSEMBLY INSTRUCTIONS

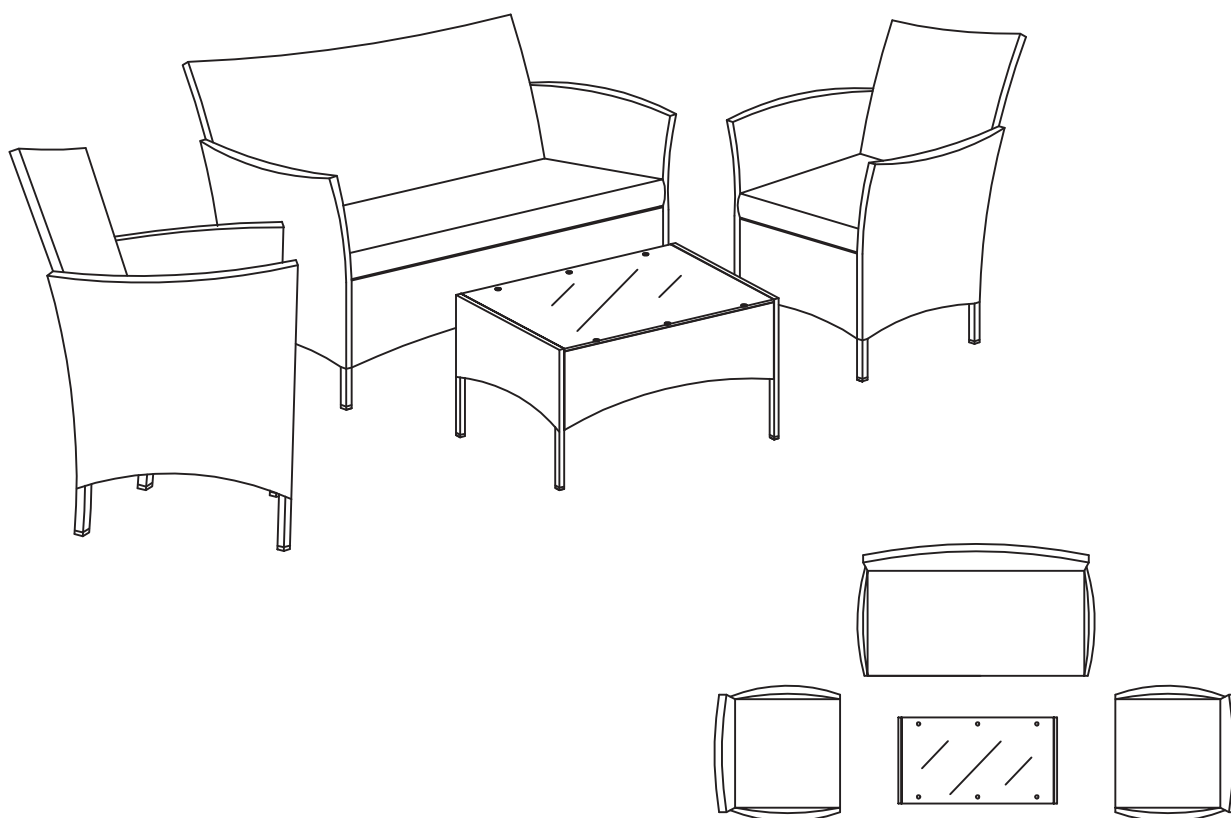
## 901 RATTAN SET

Important-Please read the assembly instruction carefully before assembling

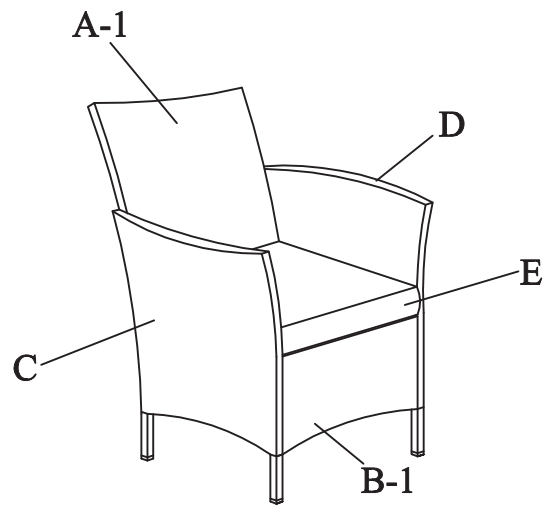
- The set is packed with 1 carton in KD style.
- Check you have all the parts and tools listing on the following page.
- Always assemble on a level, even surface like carpet floor.
- Put the spray-painted side of the glass downwards.
- Secure all parts and bolts loosely, only when the frame is complete should you fully tighten the screws.




### Safety and Care Advice

- Please keep small parts out of reach of children.
- DO NOT jump on the products.
- Please treat the affected areas by using suitable anti-rust product if there is any sign of corrosion.
- Keep any heat sources and sharp objects away from the cushions, wickers or glasses.
- Please store it away in a dry place during bad weather conditions or extended periods of non-use.



# SINGLE CHAIR ASSEMBLY

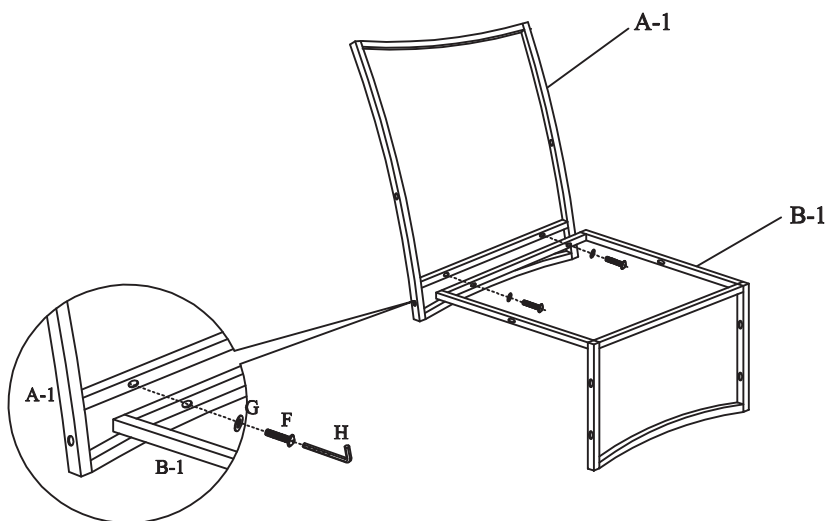


Parts List				Hardware List (found in box 1)		
Part	Description	Box	Qty	Part	Description	Qty
A-1	Back Panel	1	2	F	M6*35mm Bolt 	24
B-1	Seat Panel	1	2	G	M14mm Washer 	24
C	Right Side Panel	1	2	H	M4 Allen Key 	1
D	Left Side Panel	1	2			
E	Seat Cushion	1	2			

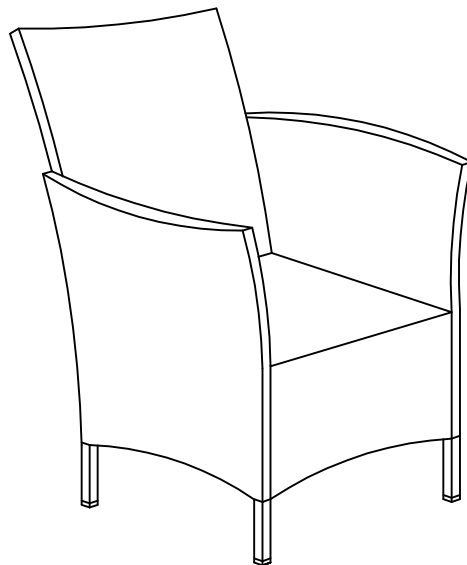
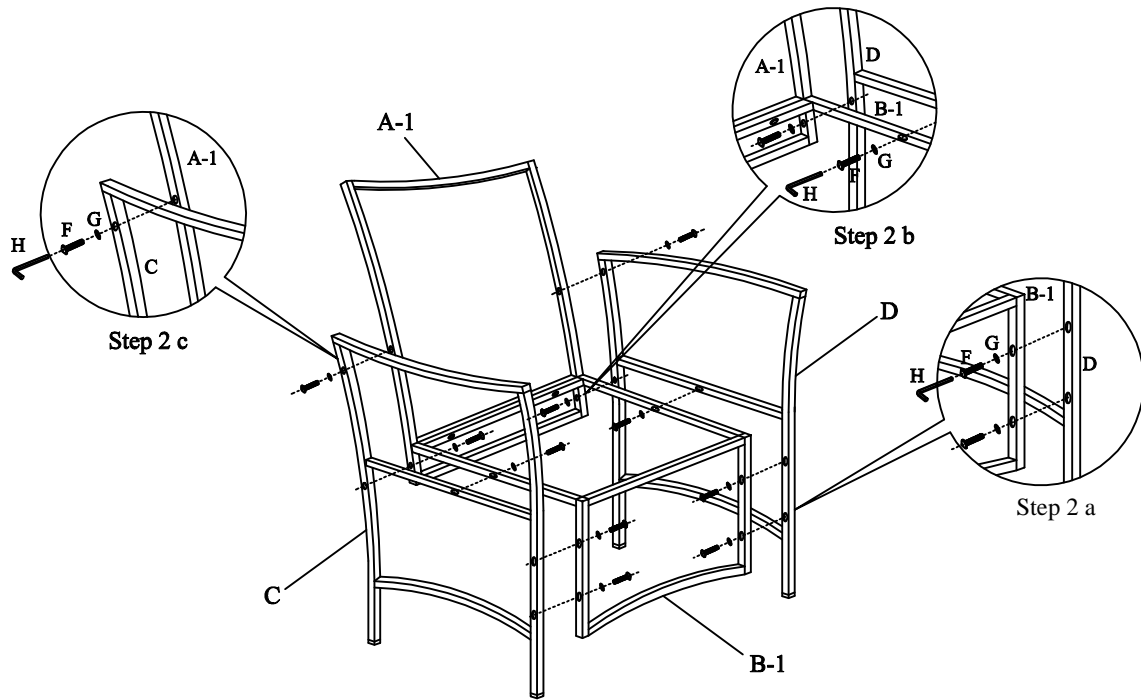
Note:

\*The quantities above are the correct amount to complete the assembly. In some case more fittings may be supplied than are required.

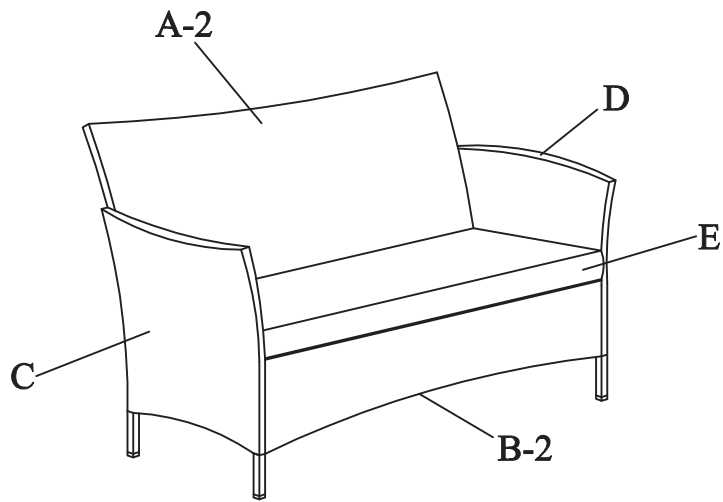
Step 1: Secure the seat panel B-1 to the back panel A-1 using bolts F and washer G.





Step 2: Attach the two side panels C&D adjacent to the seat&back panel using bolts F and washer G. Repeat step 1&2 for another single chair.



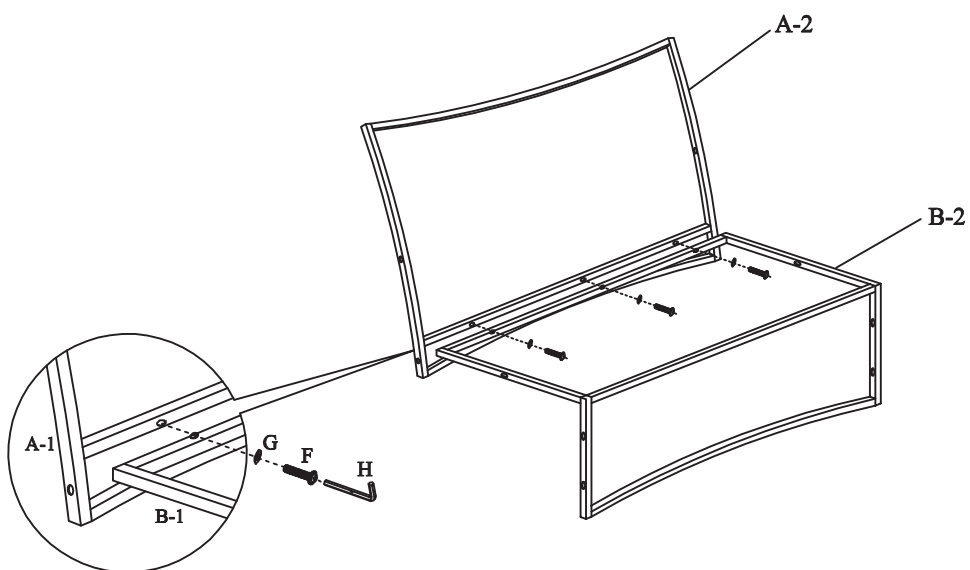
# LOVESEAT ASSEMBLY



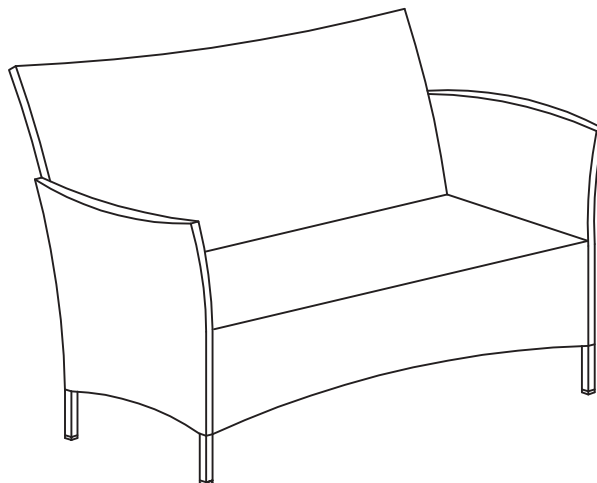
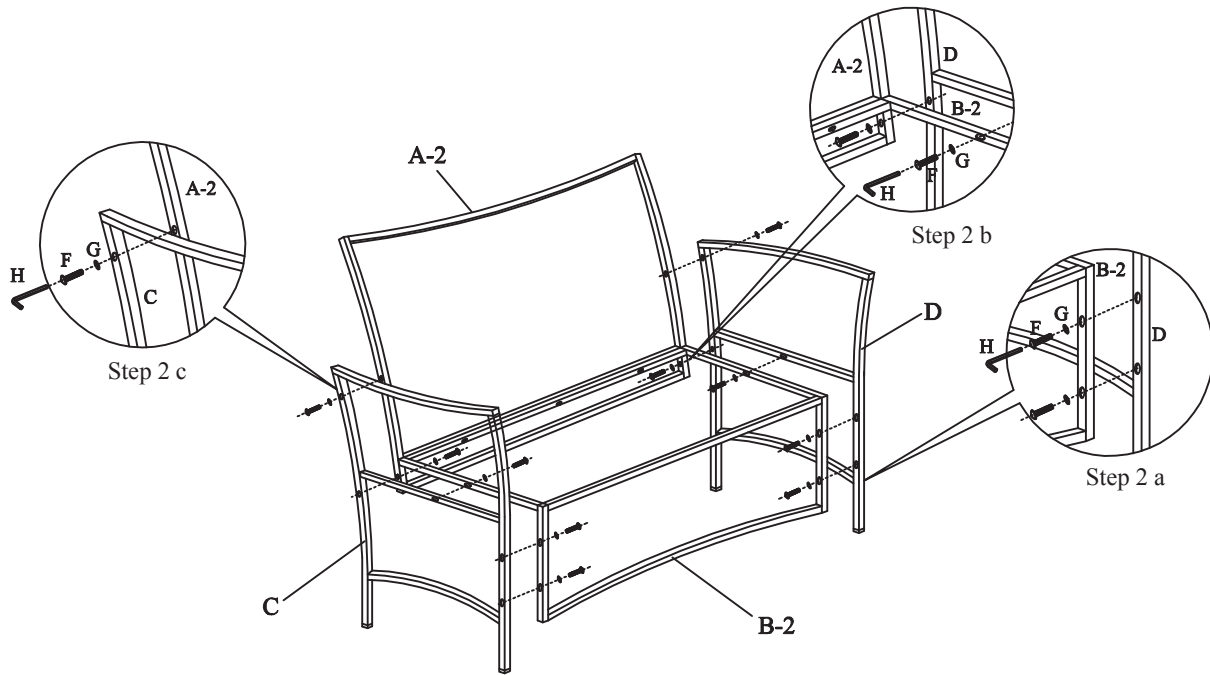
Parts List				Hardware List (found in box 1)		
Part	Description	Box	Qty	Part	Description	Qty
A-2	Back Panel	1	1	F	M6*35mm Bolt 	13
B-2	Seat Panel	1	1	G	M14mm Washer 	13
C	Right Side Panel	1	1			
D	Left Side Panel	1	1			
E	Seat Cushion	1	1			

Note: The quantities above are the correct amount to complete the assembly. In some case more fittings may be supplied than are required.

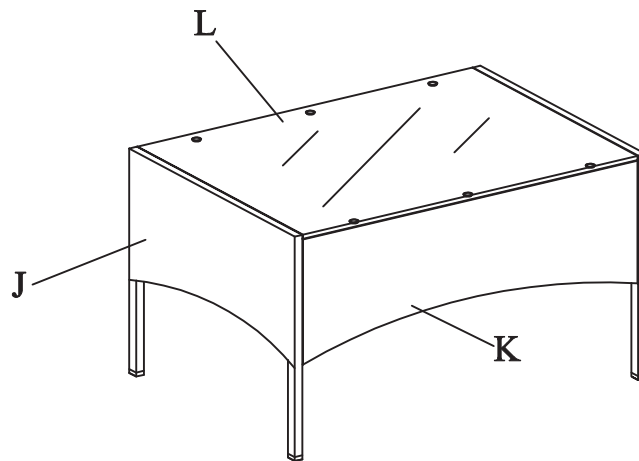
Step 1: Secure the seat panel B-2 to the back panel A-2 using bolts F and washer G.





Step 2: Attach the two side panels C&D adjacent to the seat&back panel using bolts F and washer G.



# COFFEE TABLE ASSEMBLY

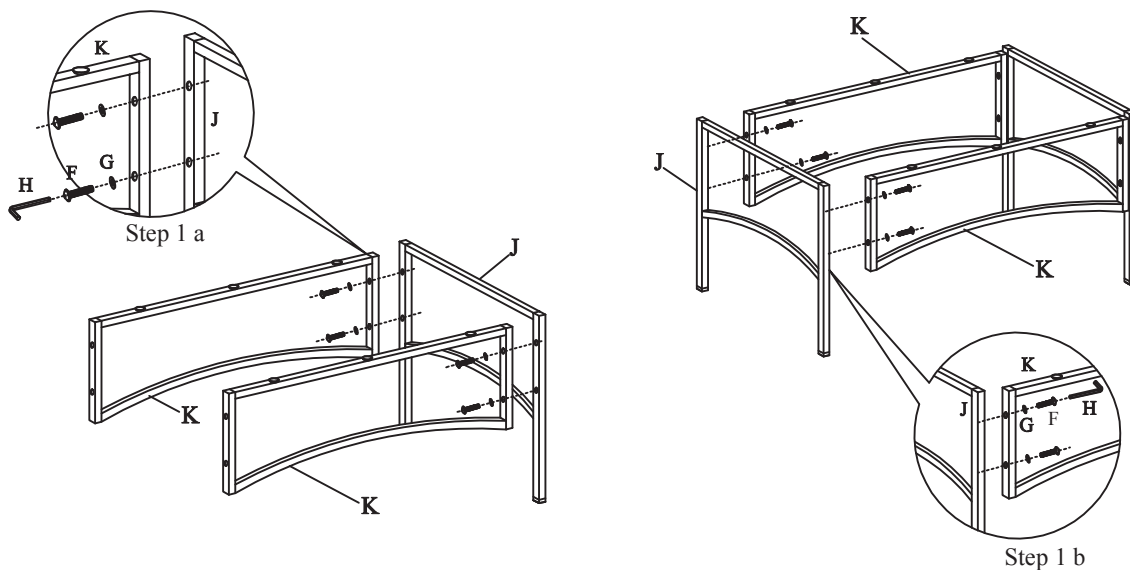


Parts List				Hardware List (found in box 1)		
Part	Description	Box	Qty	Part	Description	Qty
J	Foot Panel	1	2	F	M6*35mm Bolt 	8
K	Side Panel	1	2	G	M14mm Washer 	8
L	Glass Panel	1	1			

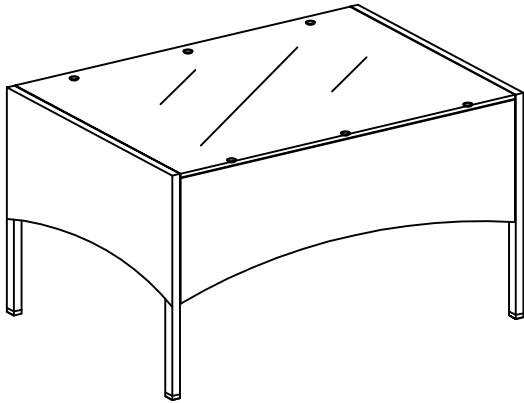
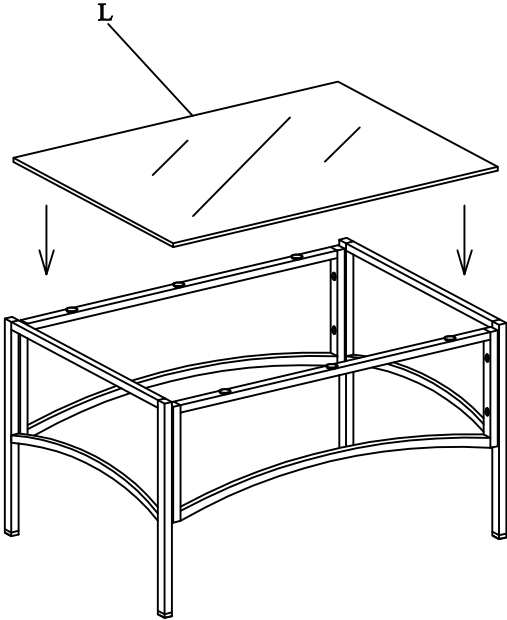
Note:

\*The quantities above are the correct amount to complete the assembly. In some case more fittings may be supplied than are required.

Step 1: Connect the side panels K to the foot panel J using bolts F and washer G. Attach another foot panel J using bolts F and washer G.



Step 2: Place the glass panel L flat to the table top. After this step, please fully tighten all bolts if you check all the parts are positioned. And put the cushions into the right places. Assembly is complete.



If need any help or have damaged or missing parts, please directly contact the retailer you purchased the product from who will be able to solve any issues.