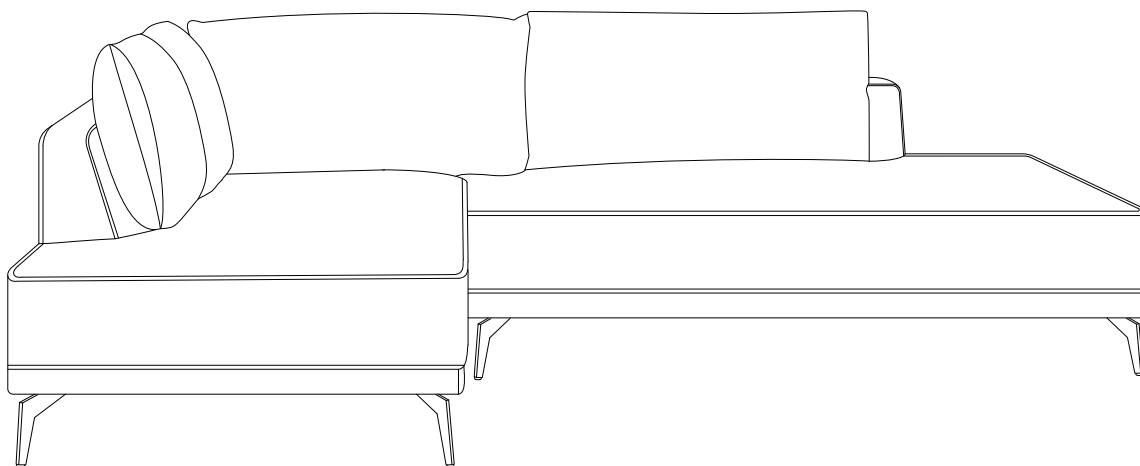
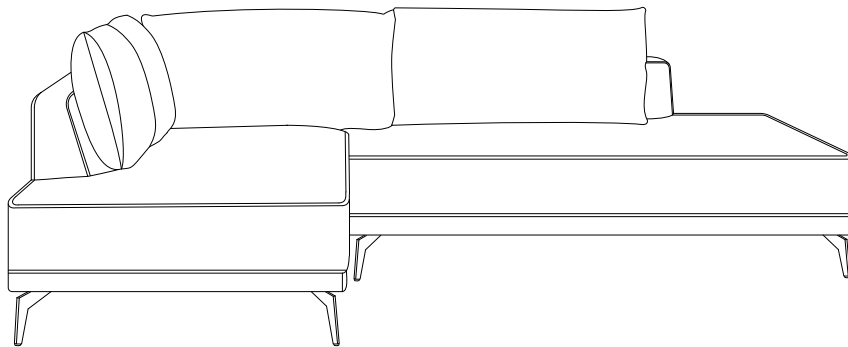
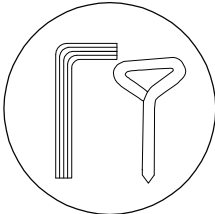
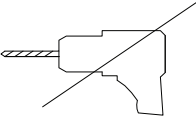

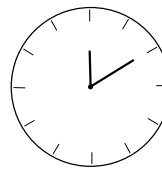
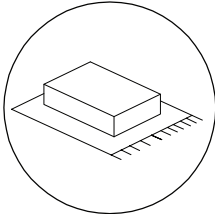
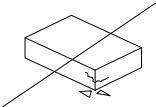

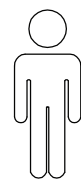
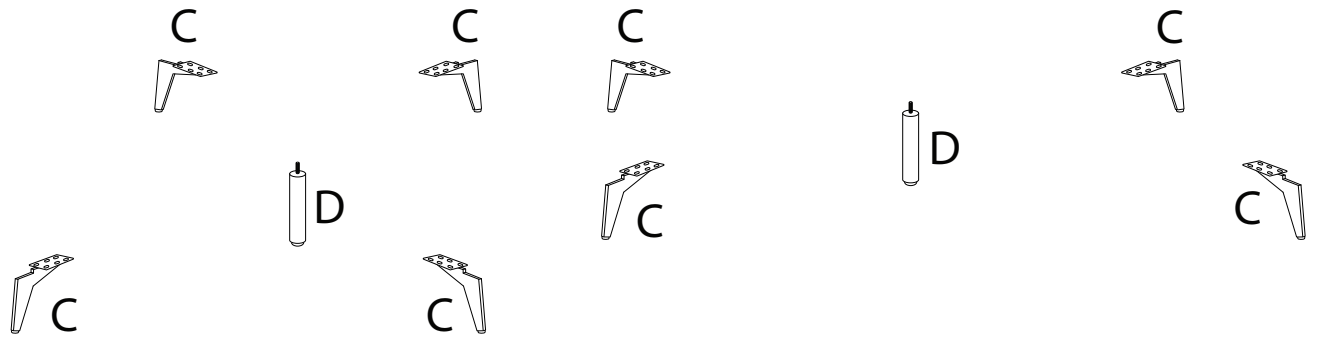
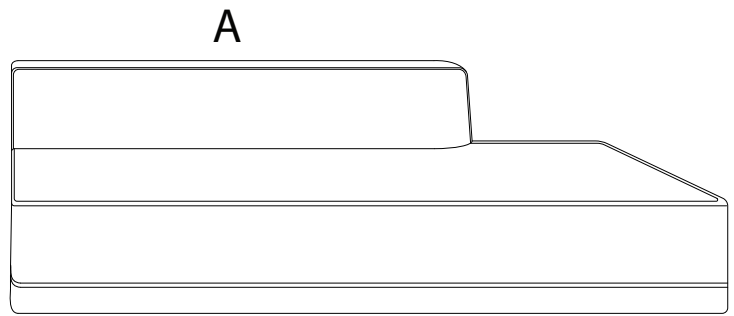
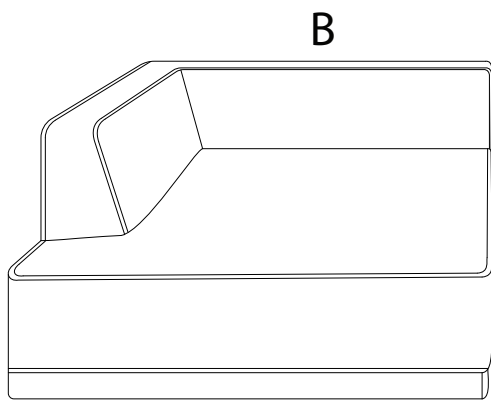
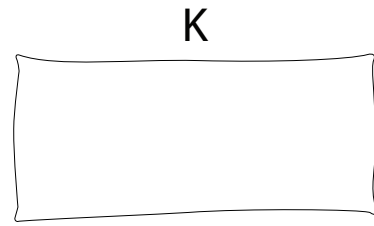
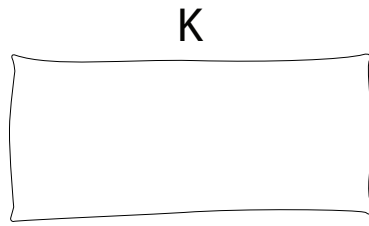
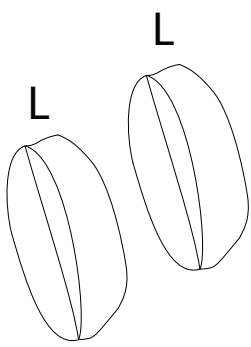


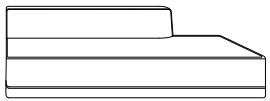
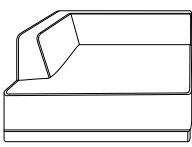
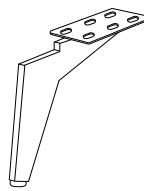

# MYKEN



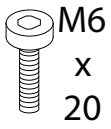


 		
		<b>10'</b>
 		
		<b>2</b>



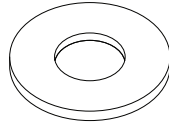
A	B	C	D
			
x 1	x 1	x 8	x 2

E



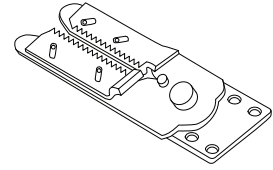
x 48

F



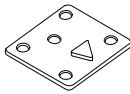
x 48

G



x 2

H



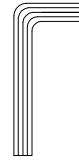
x 2

I



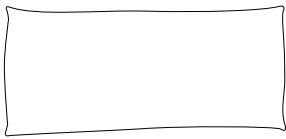
x 18

J



x 1

K



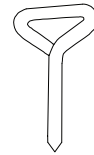
x 2

L



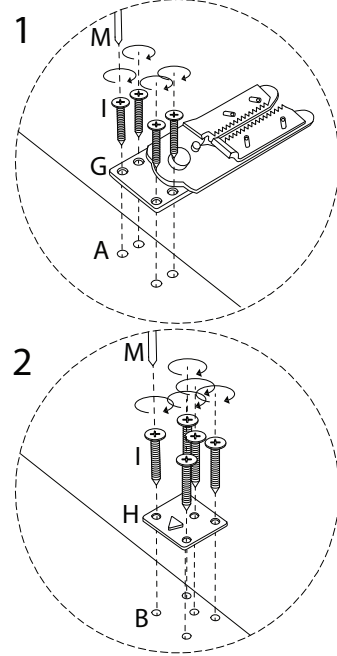
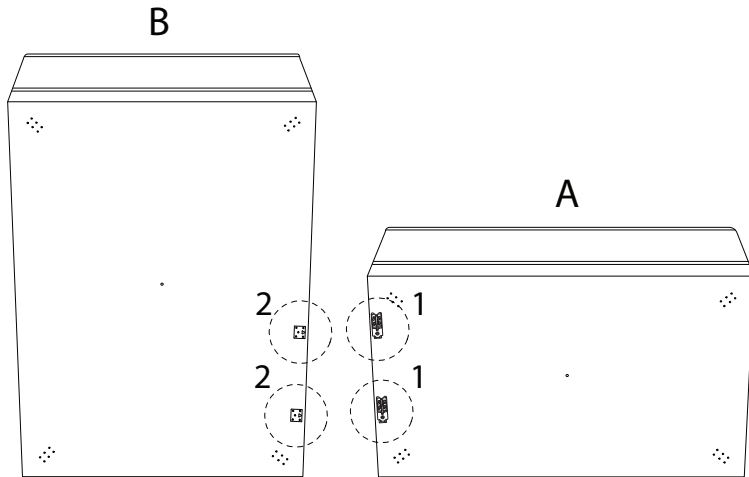
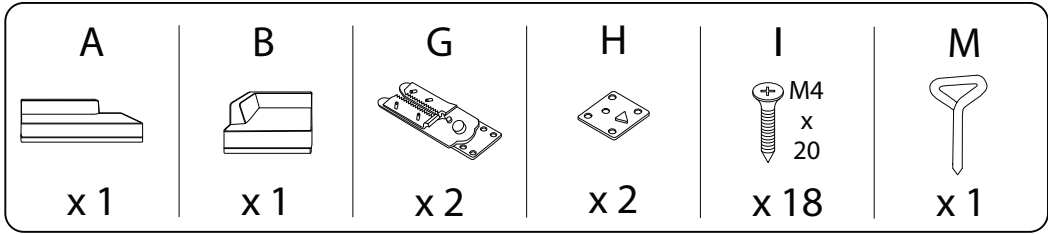
x 2

M

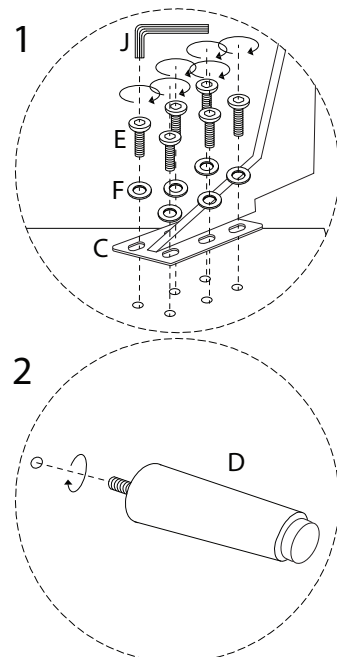
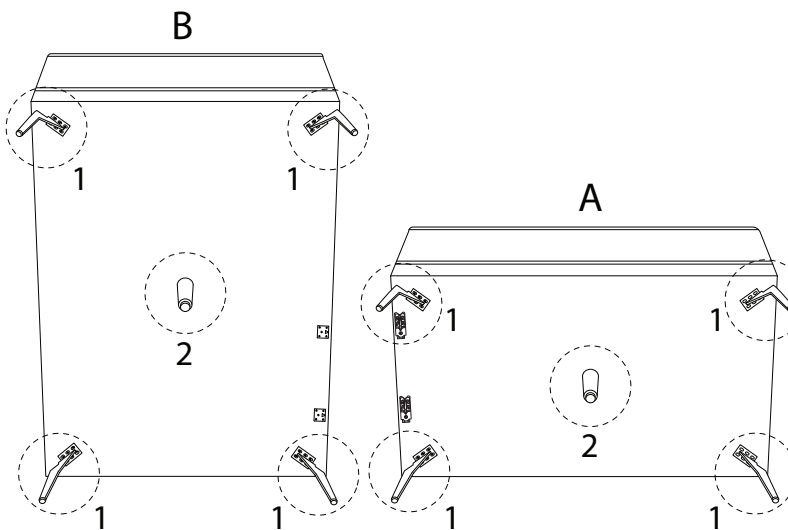
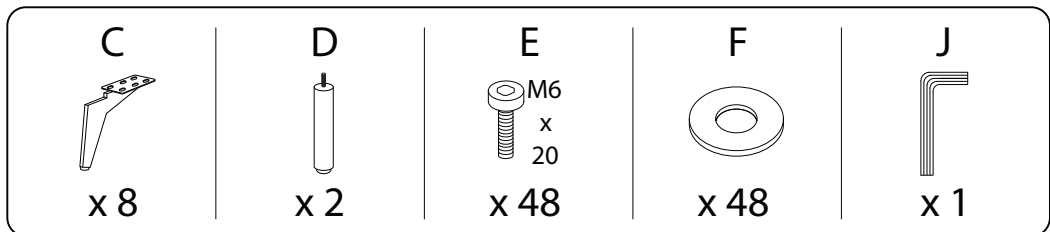


x 1

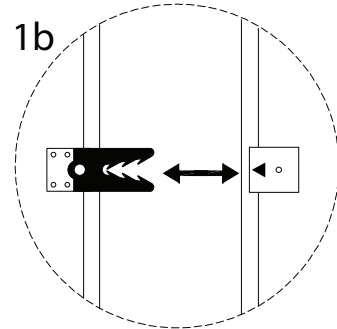
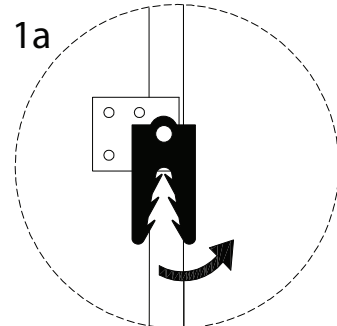
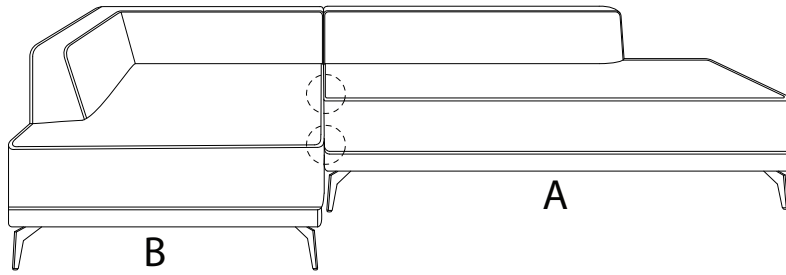
1



2



3



4

