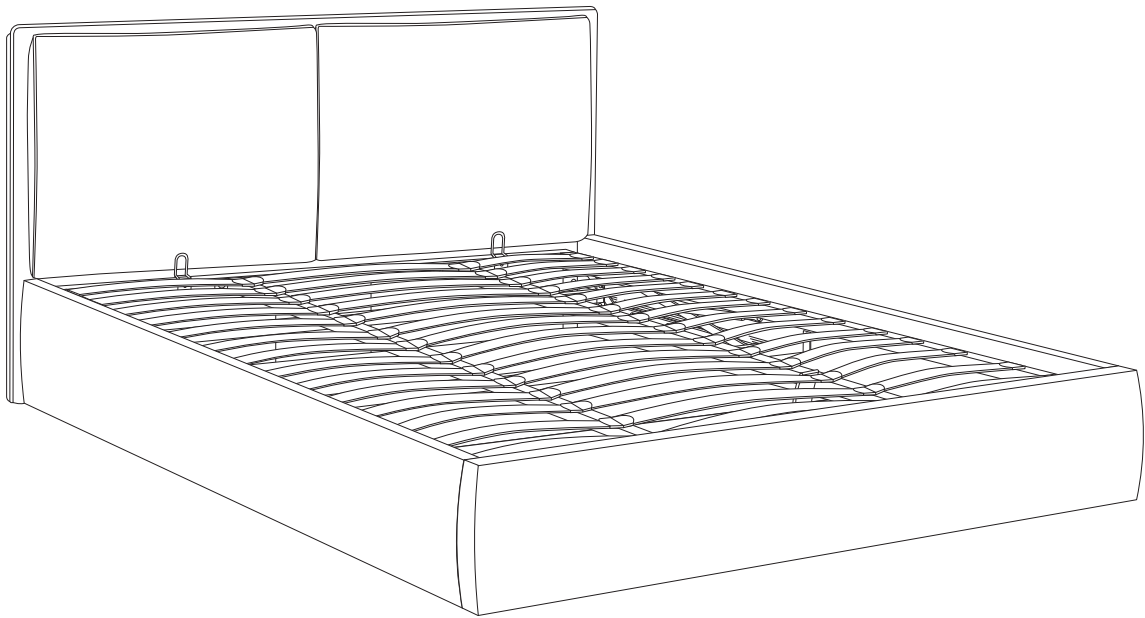
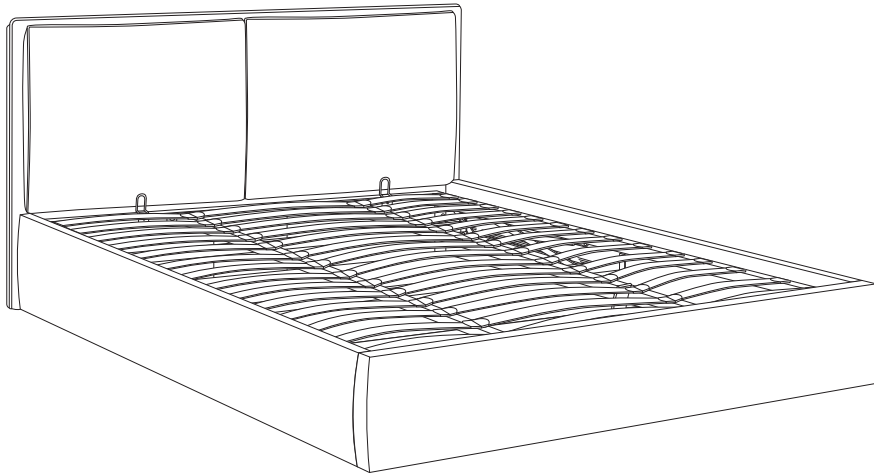
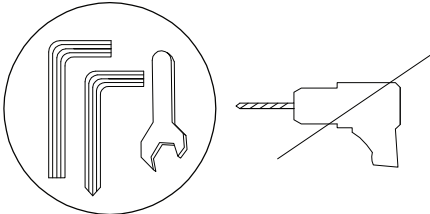
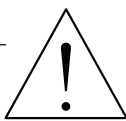
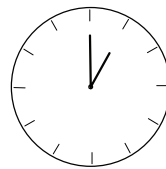
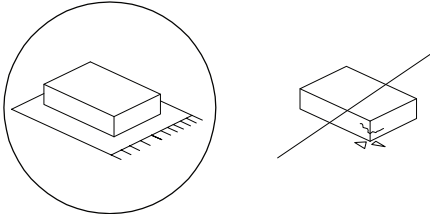


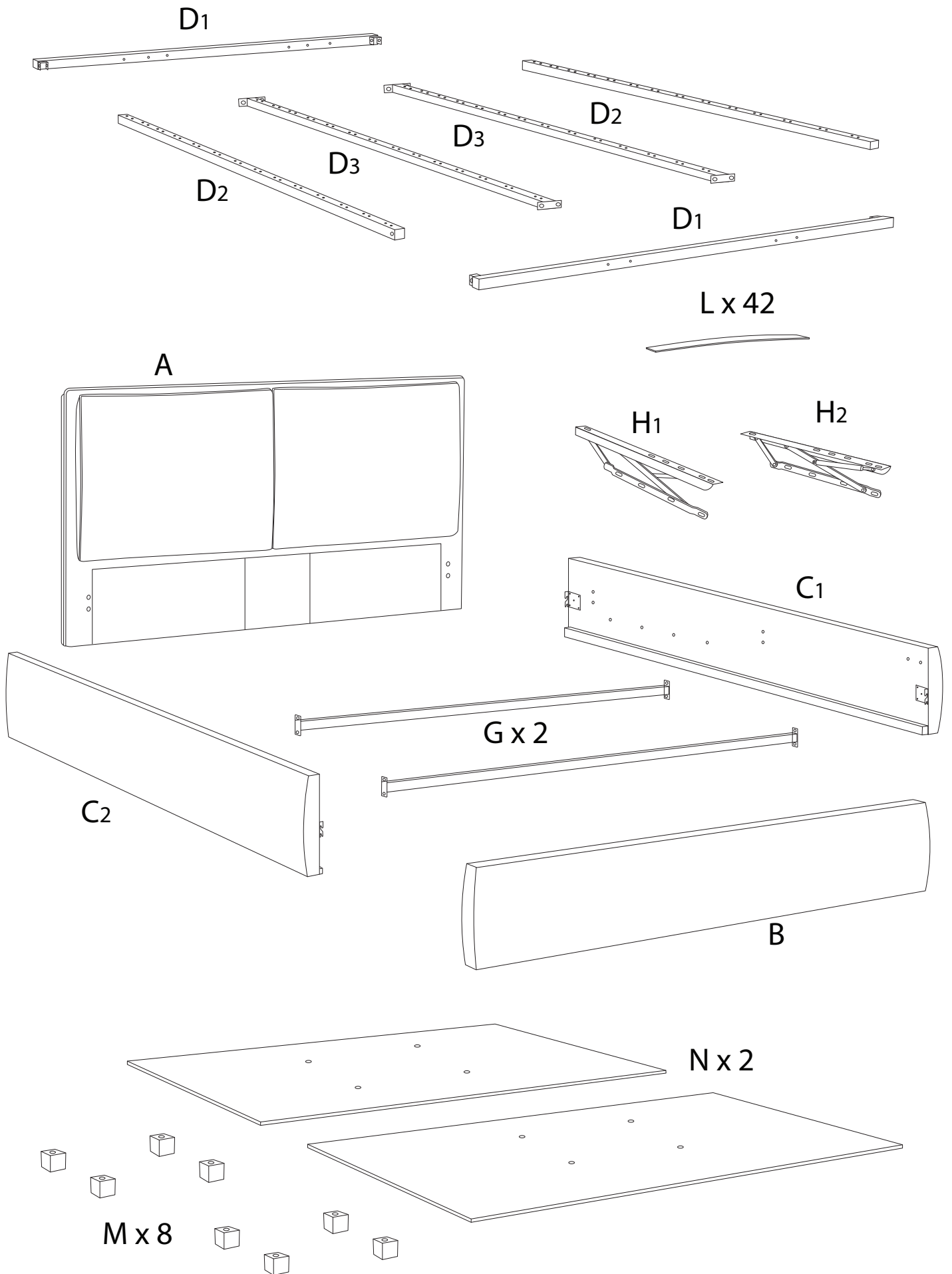


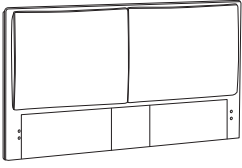
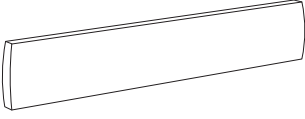
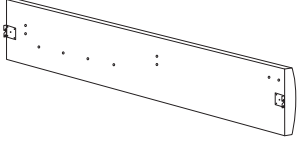
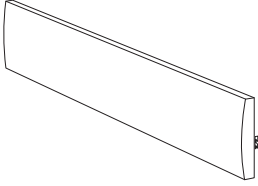

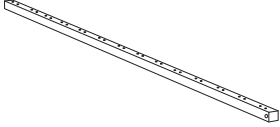
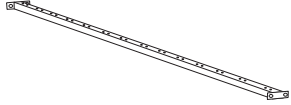
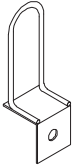


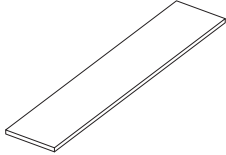
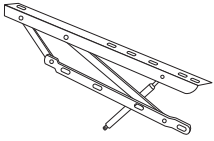
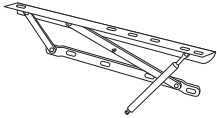
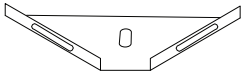
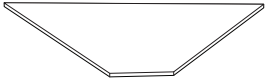
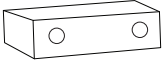
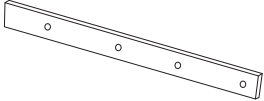

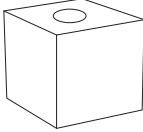

BAJONNA

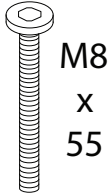
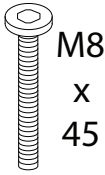

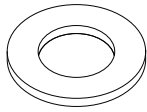
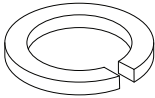
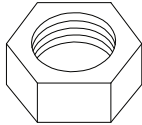
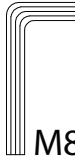
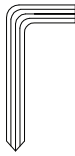
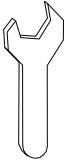
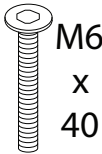

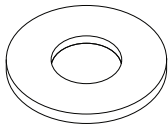
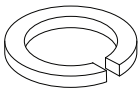

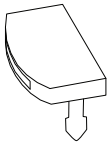
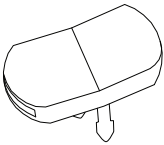




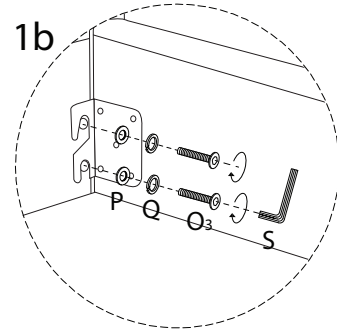
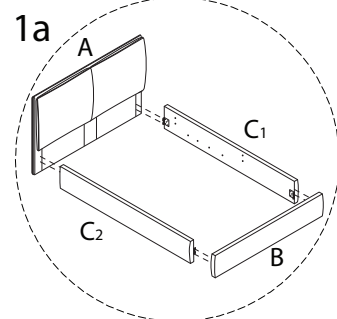
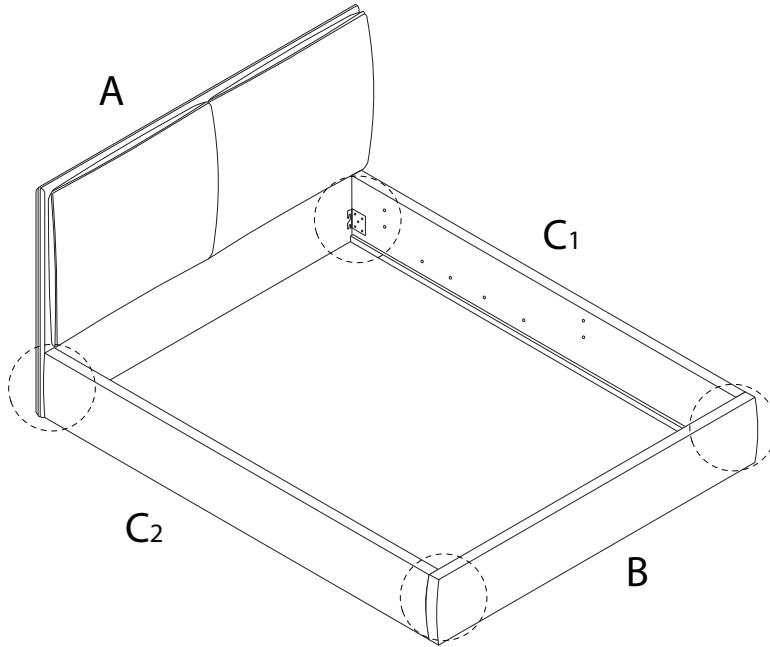
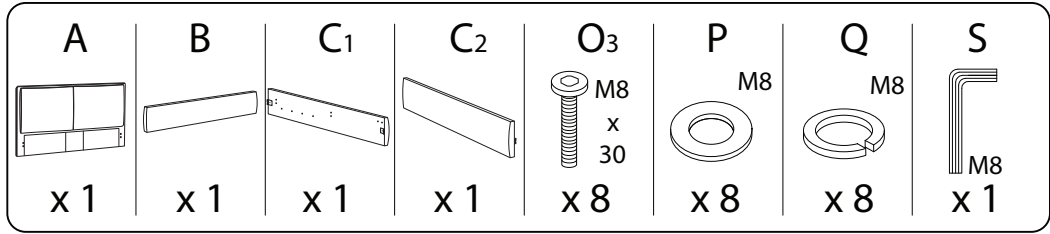
		
		
		60'
		2



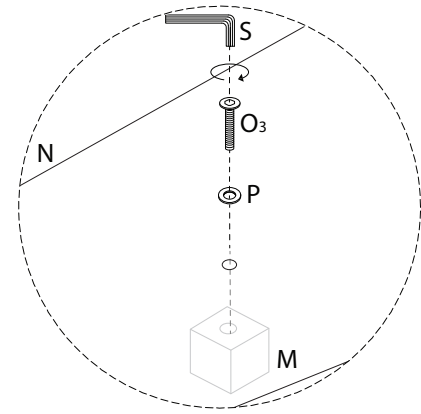
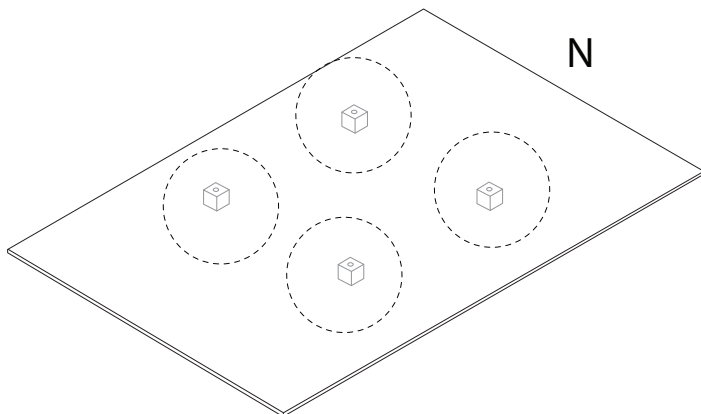
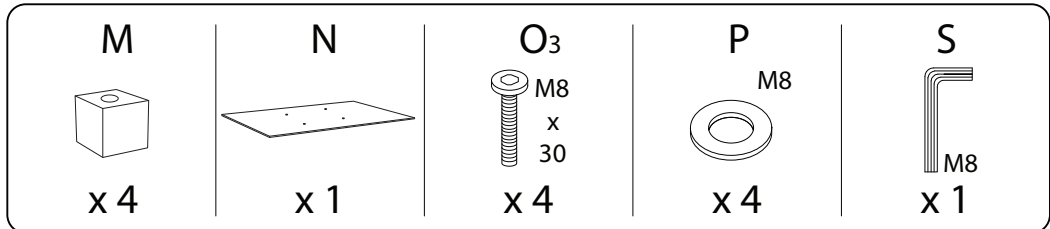
<p>A</p>  <p>x 1</p>	<p>B</p>  <p>x 1</p>	<p>C1</p>  <p>x 1</p>	<p>C2</p>  <p>x 1</p>
<p>D1</p>  <p>x 2</p>	<p>D2</p>  <p>x 2</p>	<p>D3</p>  <p>x 2</p>	<p>E</p>  <p>x 2</p>
<p>F</p>  <p>x 1</p>	<p>G1</p>  <p>x 2</p>	<p>G2</p>  <p>x 4</p>	<p>H1</p>  <p>x 1</p>
<p>H2</p>  <p>x 1</p>	<p>I1</p>  <p>x 2</p>	<p>I2</p>  <p>x 2</p>	<p>J</p>  <p>x 1</p>
<p>K</p>  <p>x 2</p>	<p>L</p>  <p>x 42</p>	<p>M</p>  <p>x 8</p>	<p>N</p>  <p>x 2</p>

<p>O₁</p>  <p>M8 x 55</p> <p>x 2</p>	<p>O₂</p>  <p>M8 x 45</p> <p>x 18</p>	<p>O₃</p>  <p>M8 x 30</p> <p>x 16</p>	<p>P</p>  <p>M8</p> <p>x 36</p>
<p>Q</p>  <p>M8</p> <p>x 28</p>	<p>R</p>  <p>x 18</p>	<p>S</p>  <p>M8</p> <p>x 1</p>	<p>T</p>  <p>x 1</p>
<p>U</p>  <p>x 1</p>	<p>V₁</p>  <p>M6 x 40</p> <p>x 8</p>	<p>V₂</p>  <p>M6 x 20</p> <p>x 16</p>	<p>W</p>  <p>M6</p> <p>x 24</p>
<p>X</p>  <p>M6</p> <p>x 24</p>	<p>Y</p>  <p>M6</p> <p>x 1</p>	<p>Z₁</p>  <p>x 28</p>	<p>Z₂</p>  <p>x 28</p>

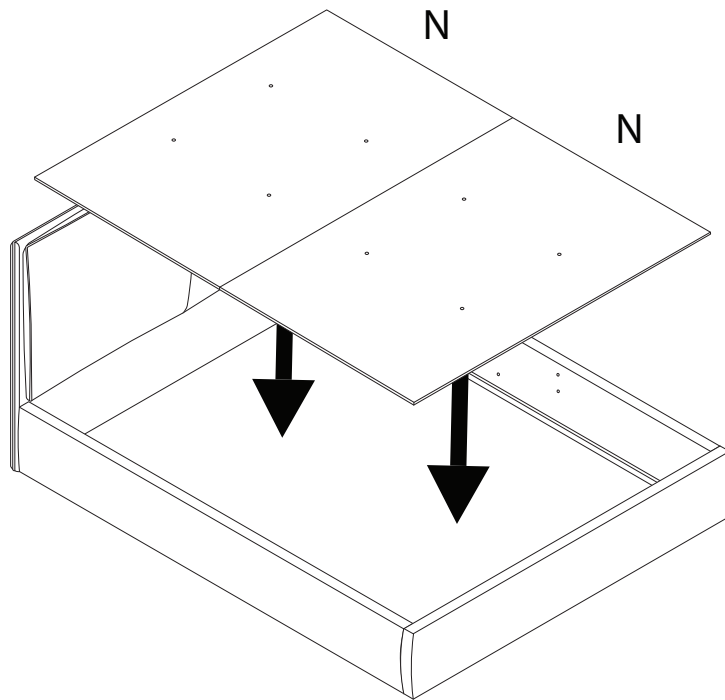
1



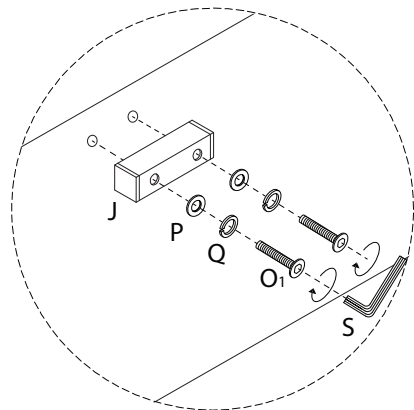
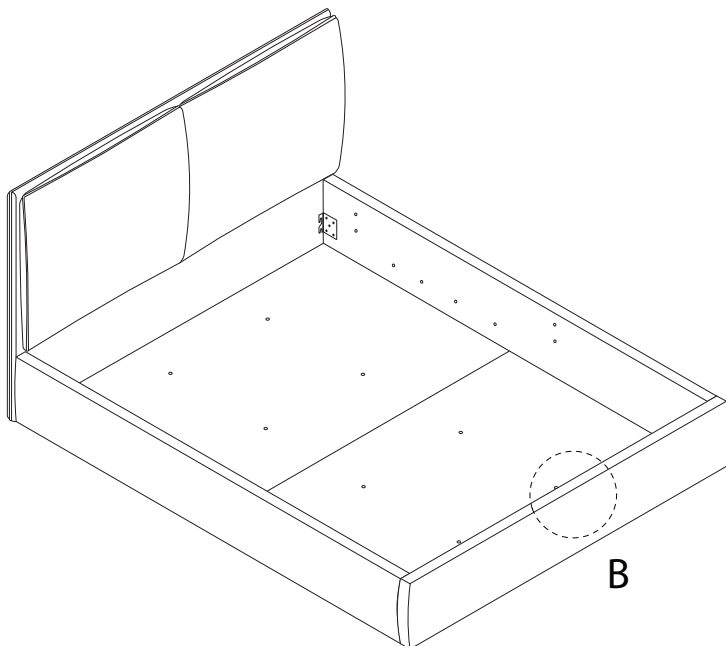
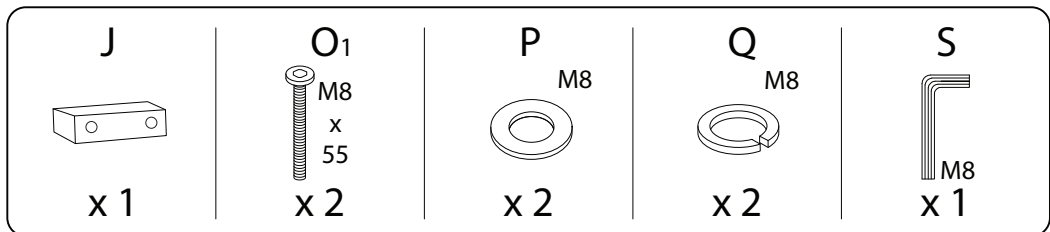
2 x 2



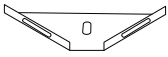

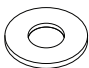

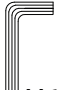
3

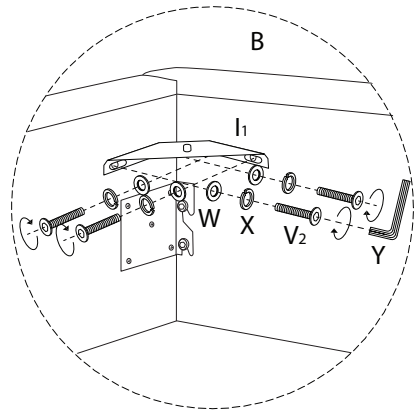
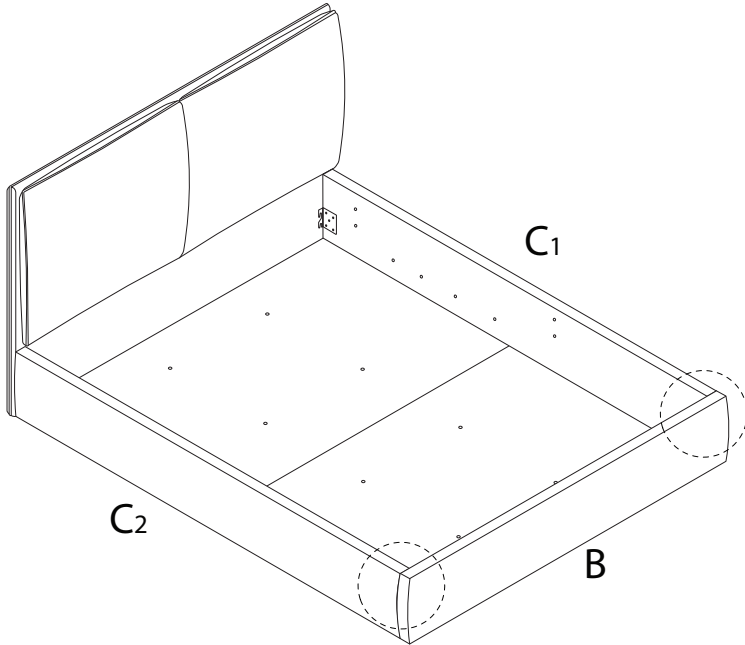


4

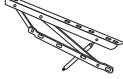
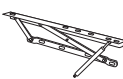
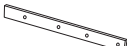
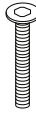





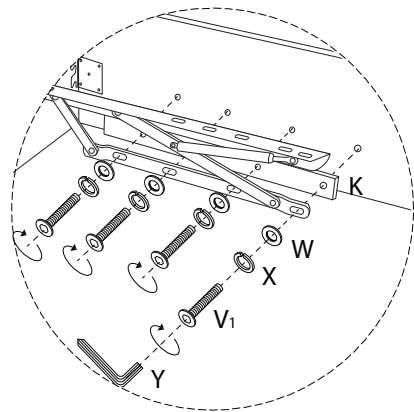
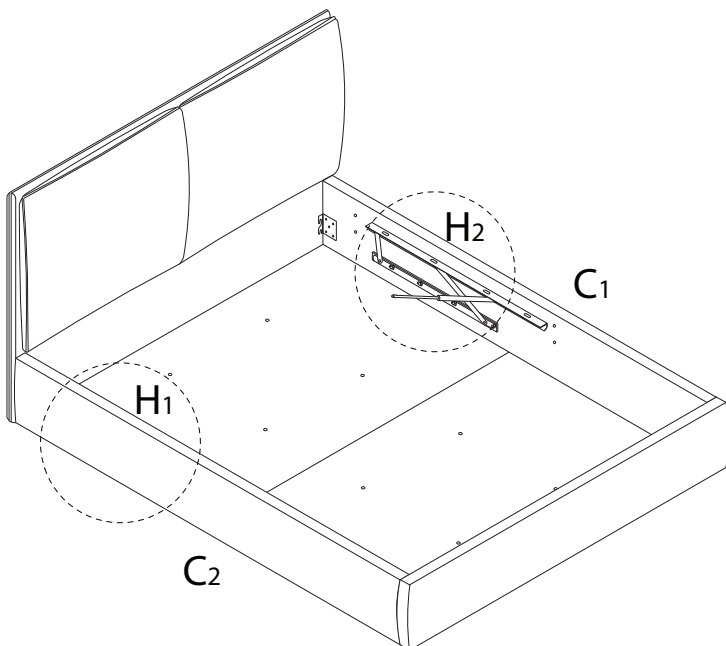
5

I ₁  x 2	V ₂  M6 x 20 x 8	W  M6 x 8	X  M6 x 8	Y  M6 x 1
--	--	---	---	---




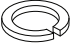
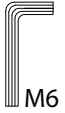


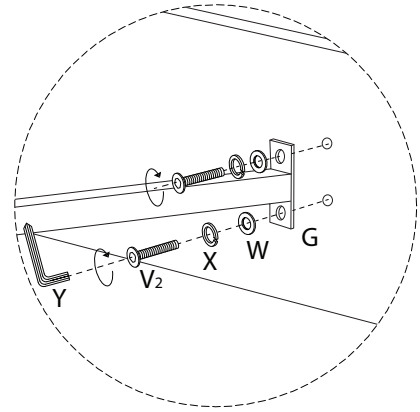
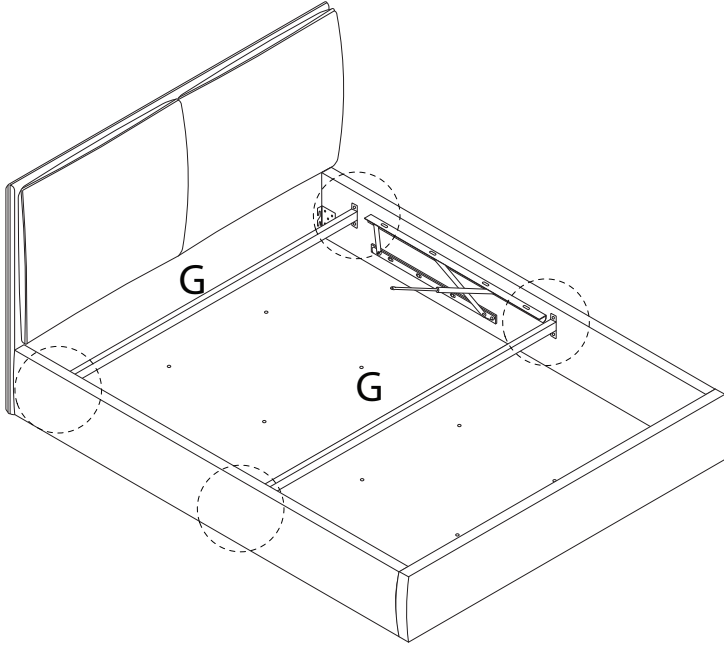
6

H ₁  x 1	H ₂  x 1	K  x 2	V ₁  M6 x 40 x 8	W  M6 x 8	X  M6 x 8	Y  M6 x 1
--	--	---	--	---	---	---

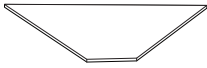


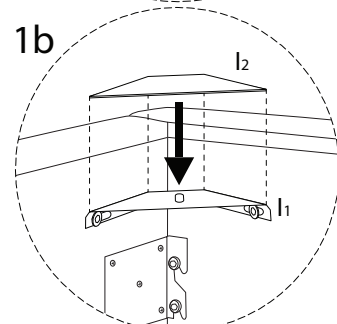
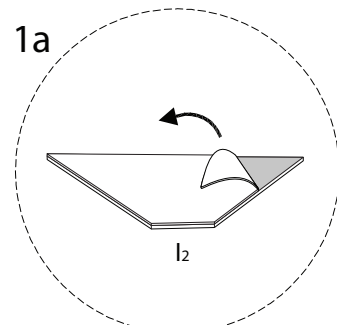
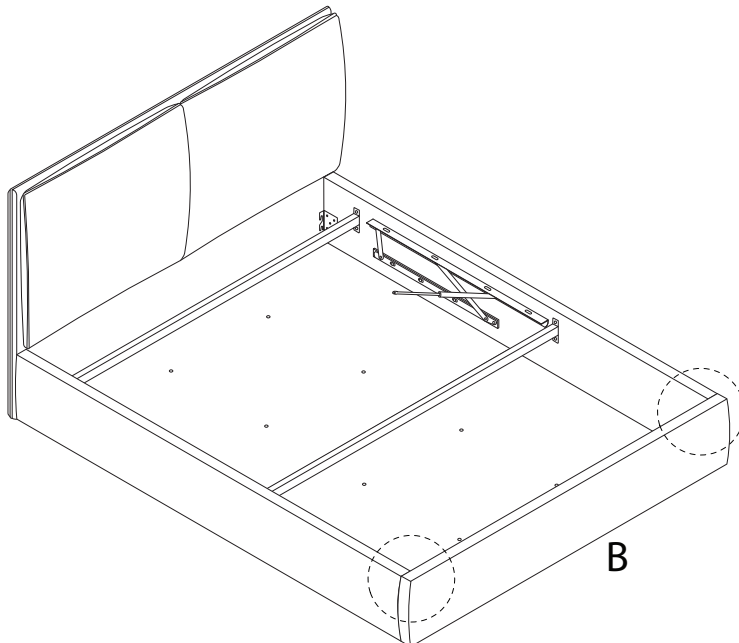
7

G  x 2	V ₂ M6 x 20  x 8	W M6  x 8	X M6  x 8	Y M6  x 1
---	--	---	---	---

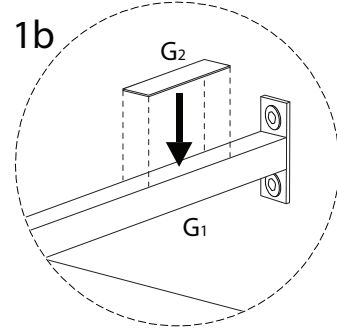
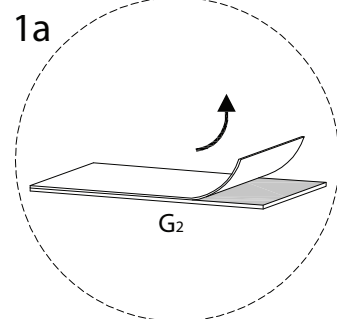
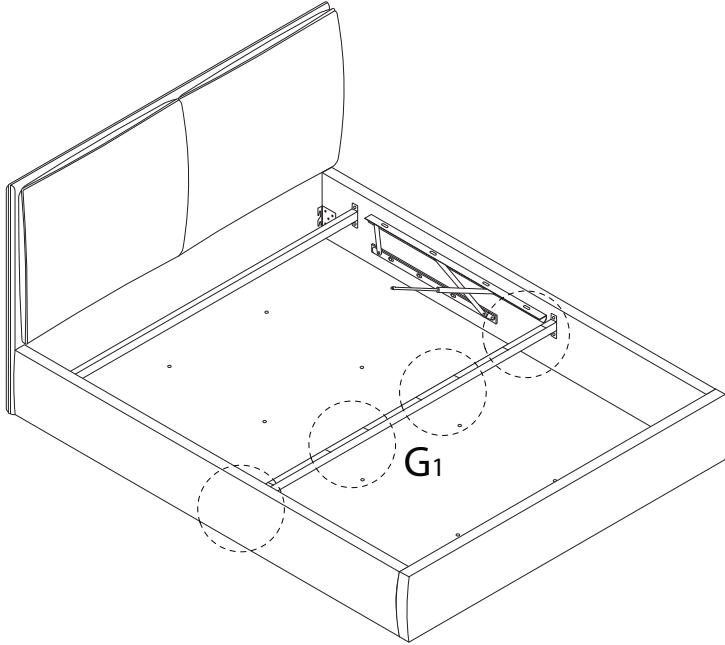
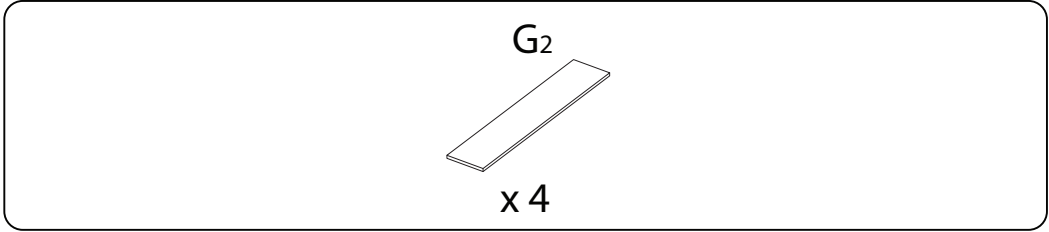


8

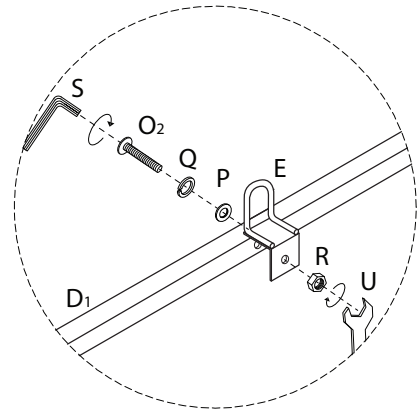
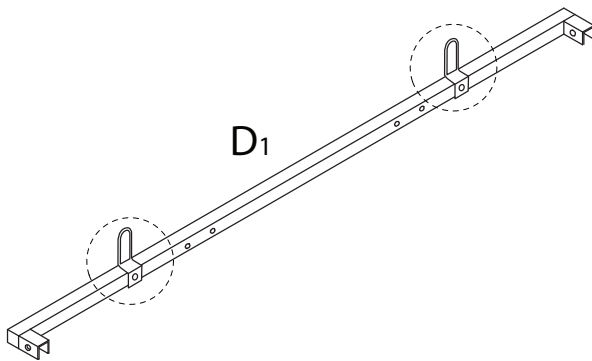
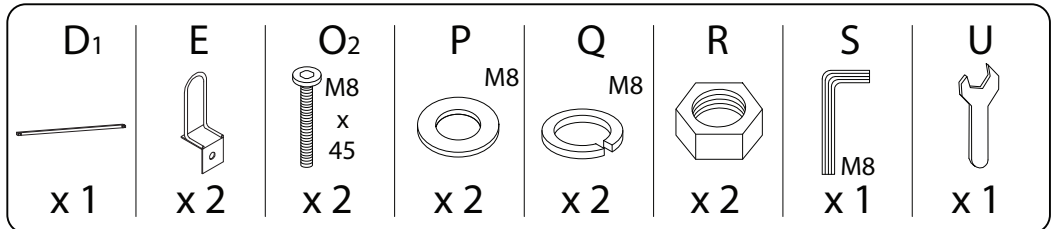
l ₂  x 2
--



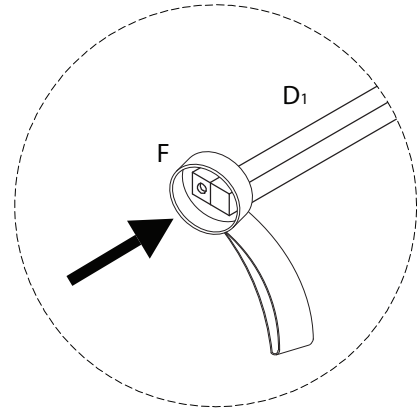
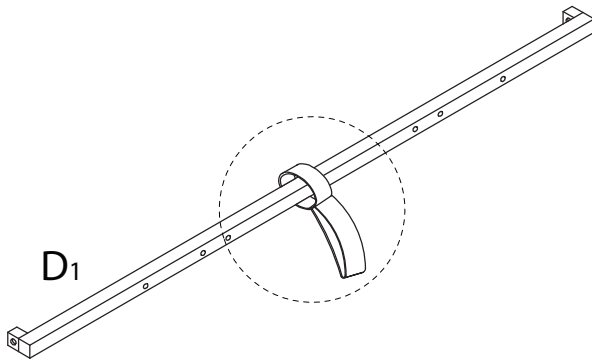
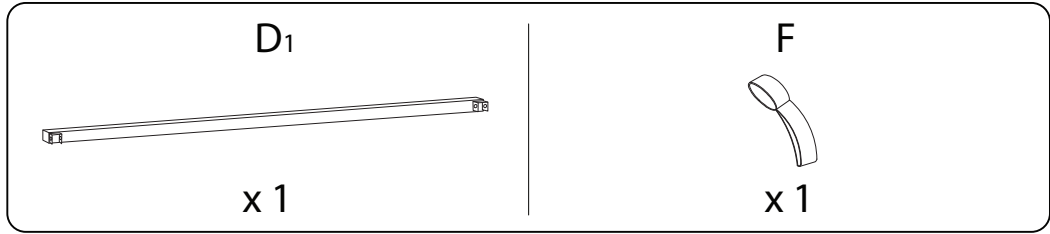
9



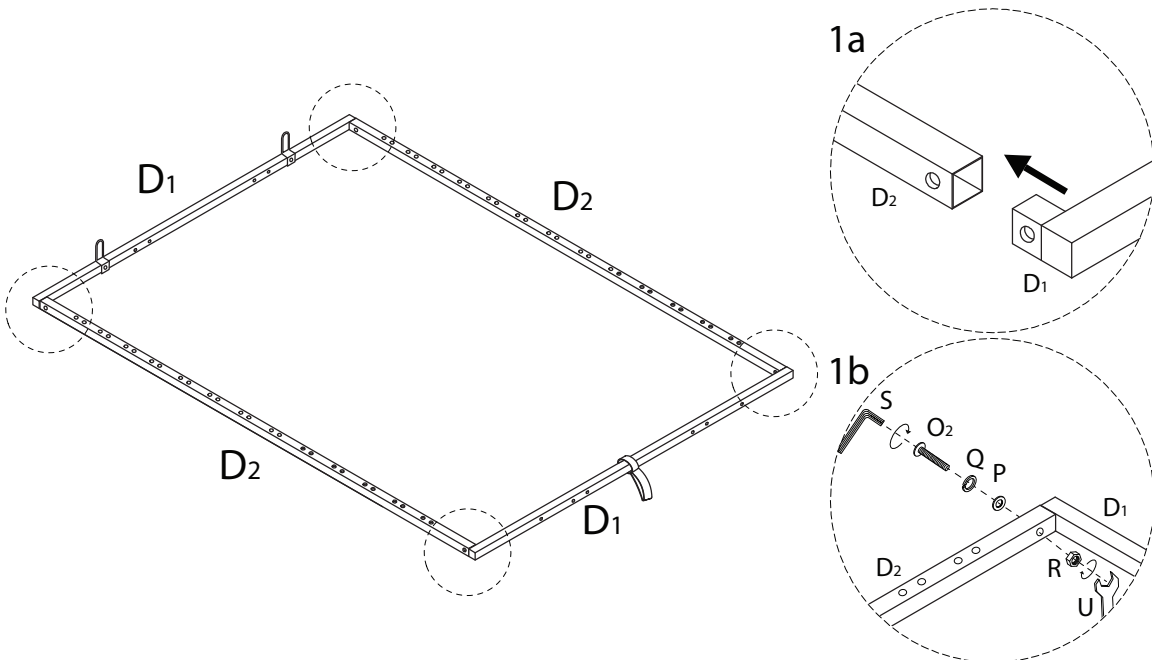
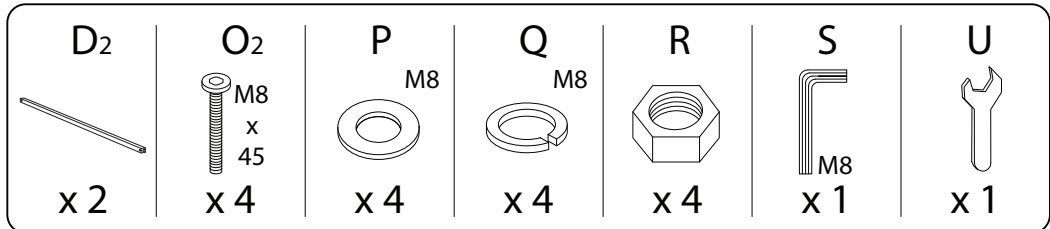
10




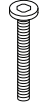
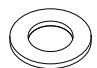
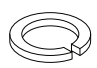
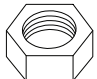

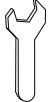
11

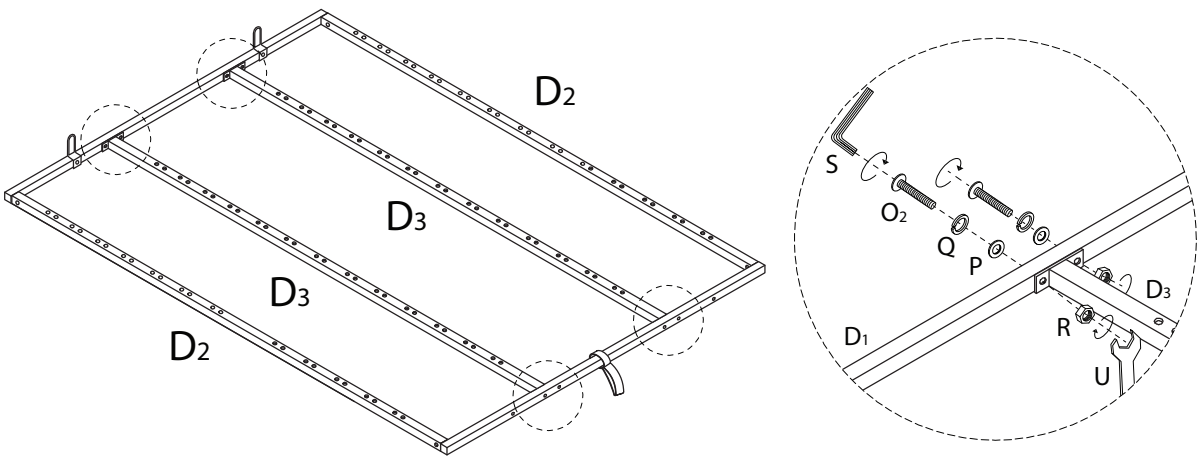


12

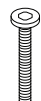
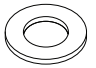
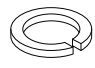
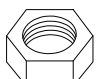
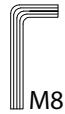



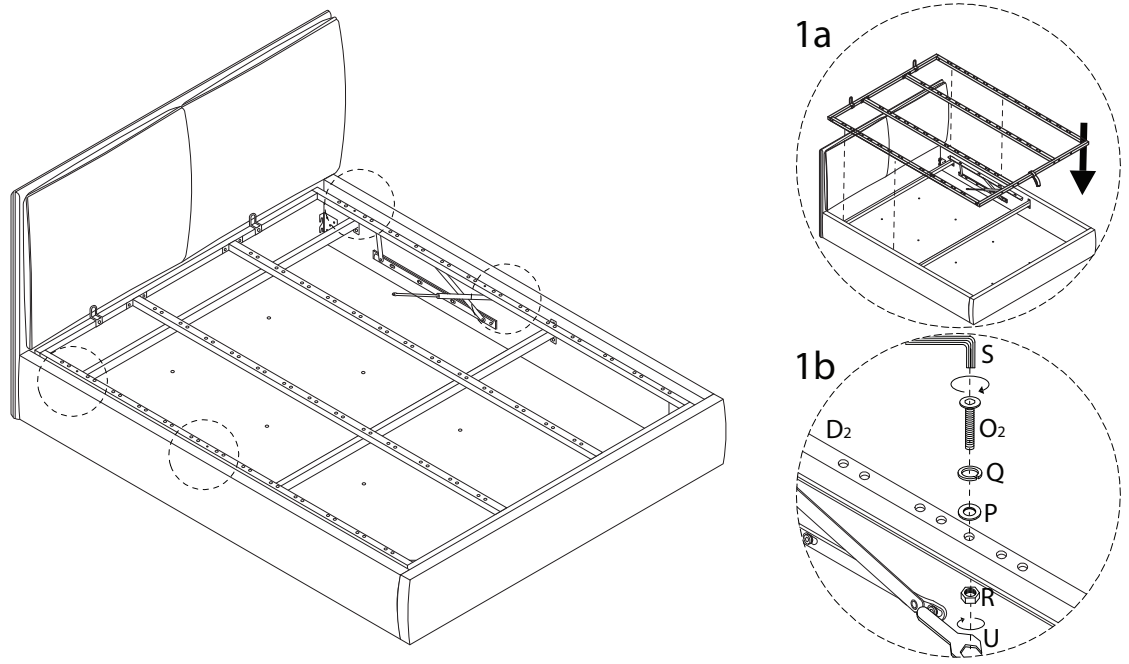
13

D3  x 2	O2 M8 x 45  x 8	P M8  x 8	Q M8  x 8	R  x 8	S M8  x 1	U  x 1
--	--	---	---	--	---	---

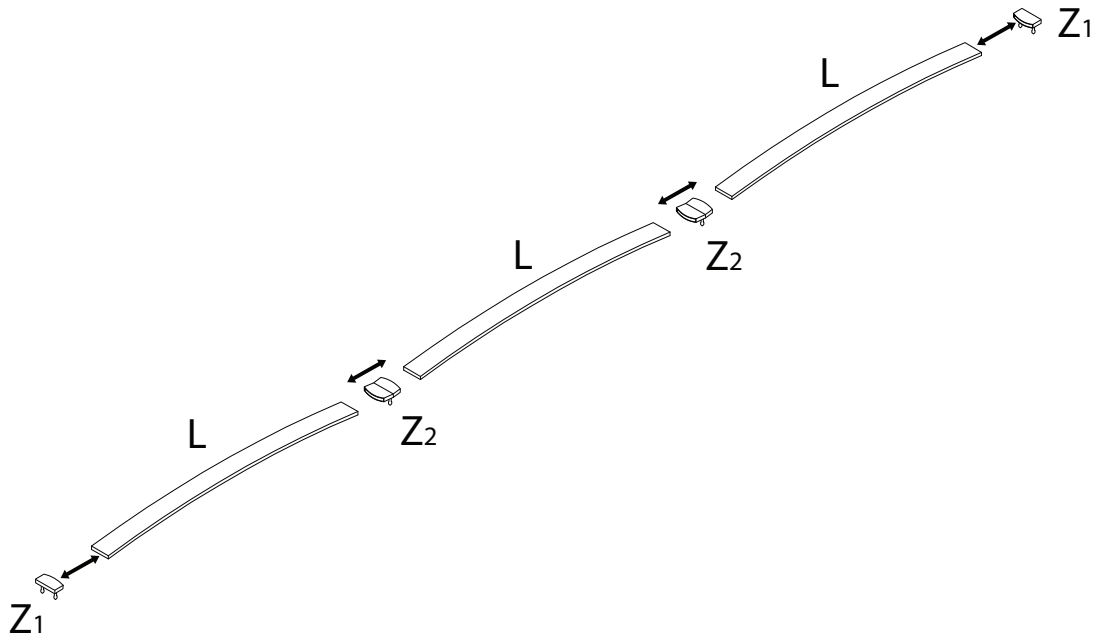
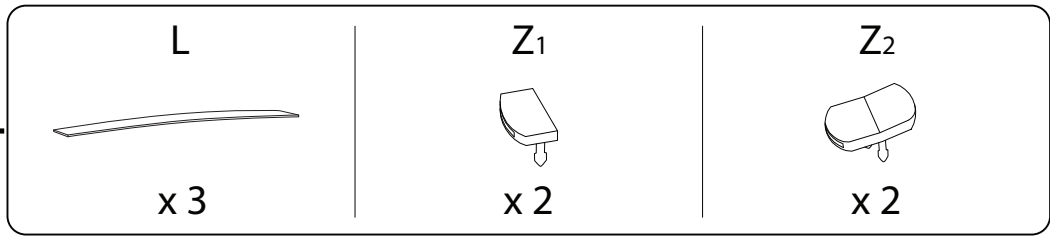


14

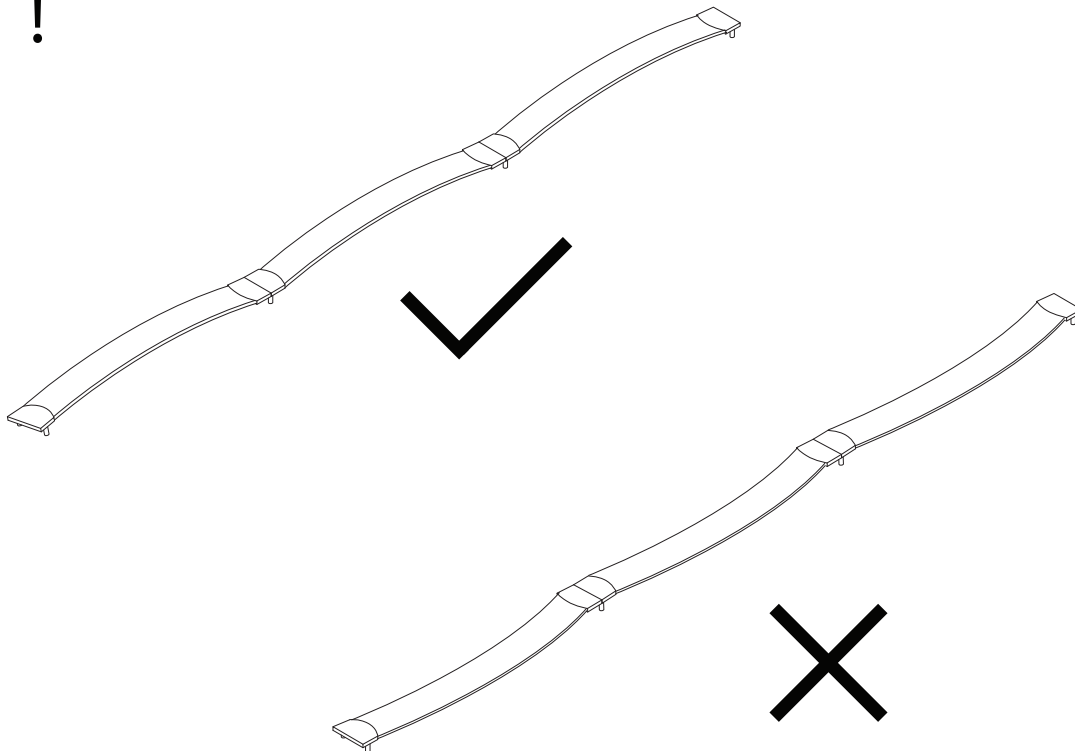
O2 M8 x 45  x 4	P M8  x 4	Q M8  x 4	R  x 4	S M8  x 1	U  x 1
--	---	---	--	---	---



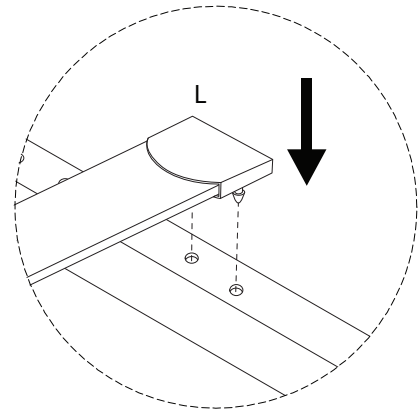
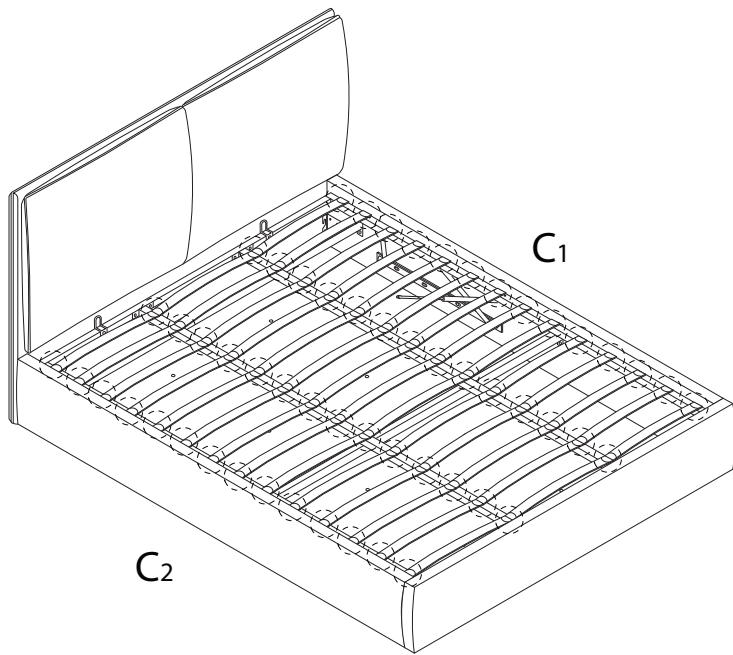
15 x 14



!



16



17

T
M6
x 1

