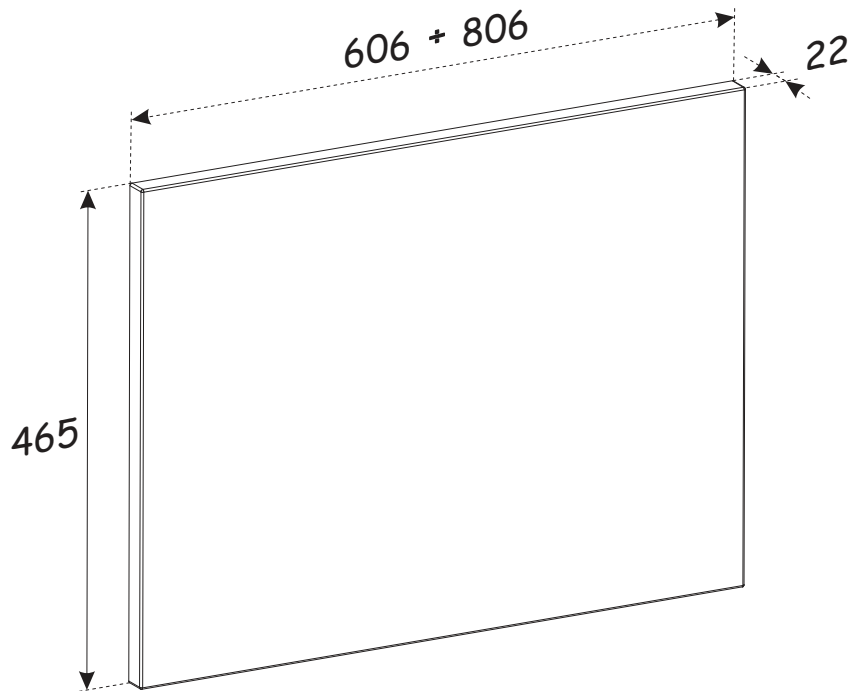
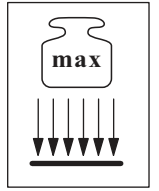
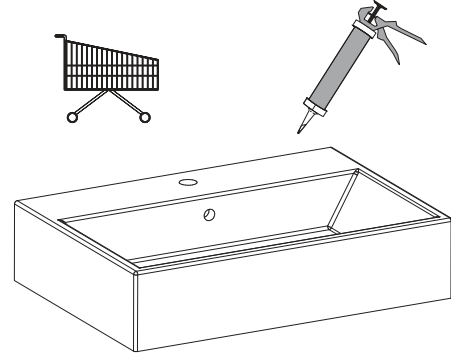
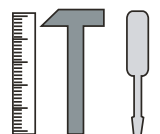
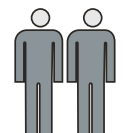


BLAT 60 CM BL850, 89-60-B
 BLAT 80 CM BL851, 89-80-B

SILIKON



90 min

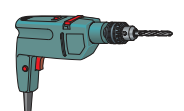


BLAT 60 CM BL850, 89-60-B

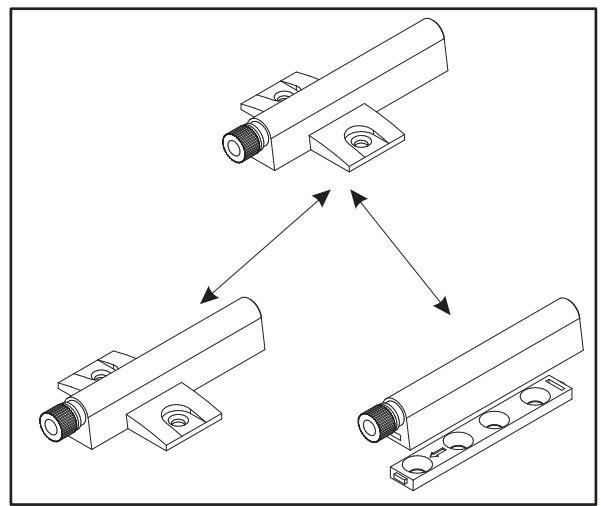
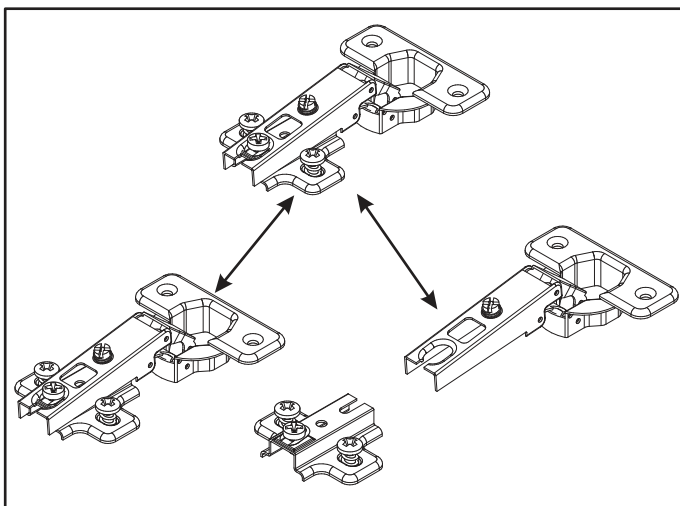
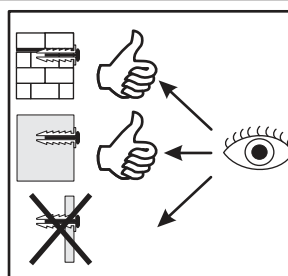
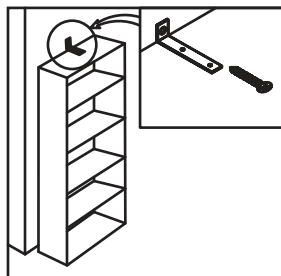
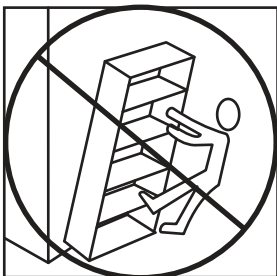
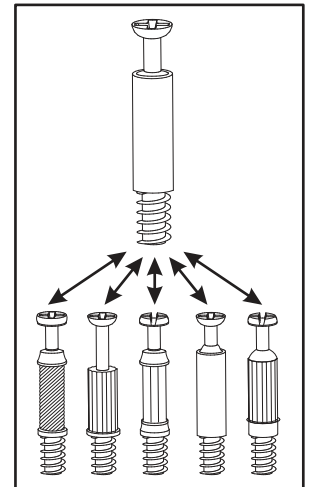
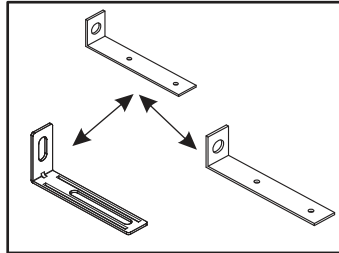
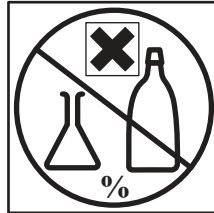
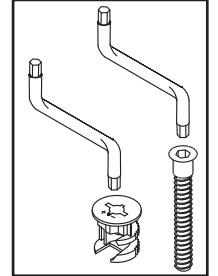
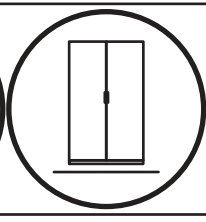
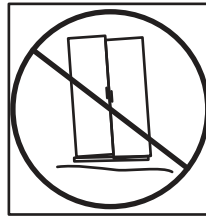
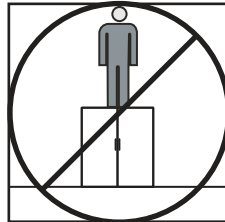
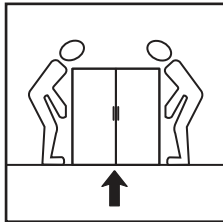
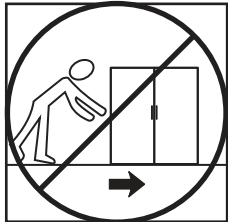
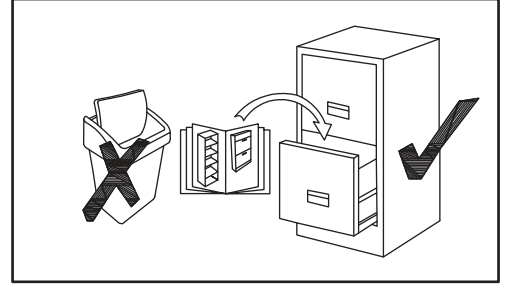
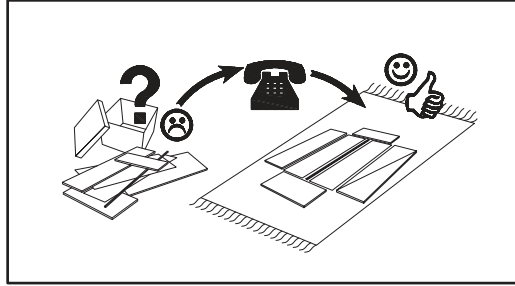
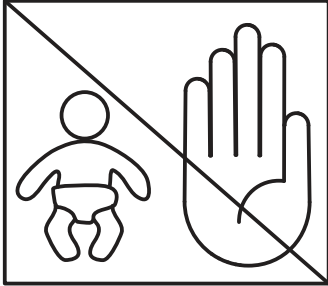
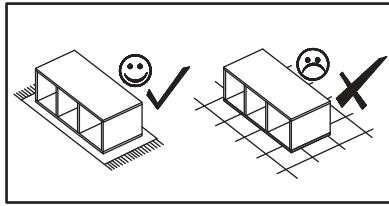
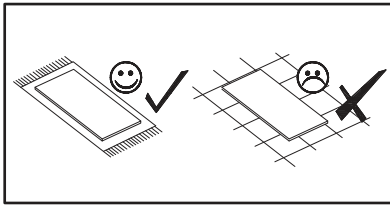
NO	Dim.			Col.-No	Qty
1	606	465	22	1	1

BLAT 80 CM BL851, 89-80-B

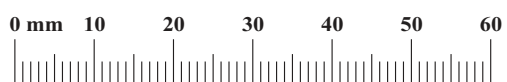
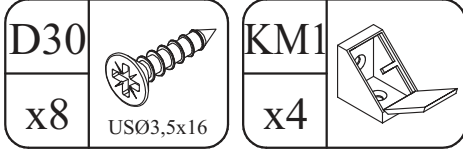
NO	Dim.			Col.-No	Qty
1	806	465	22	1	1



BLAT 60 CM BL850, 89-60-B
BLAT 80 CM BL851, 89-80-B



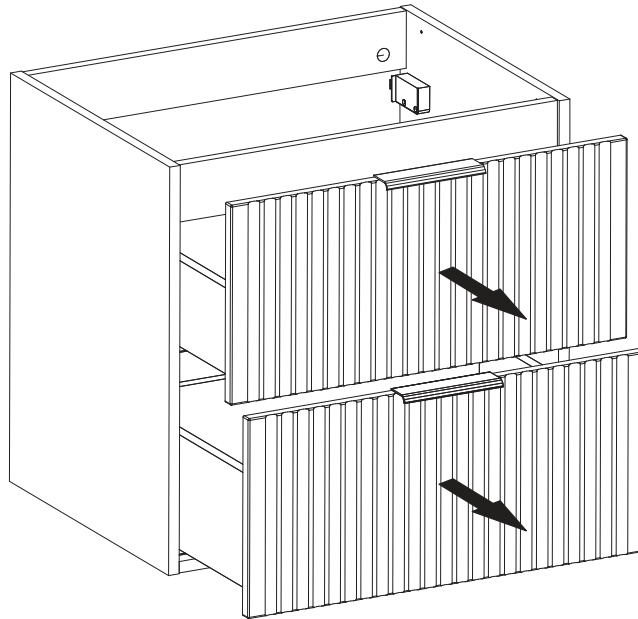
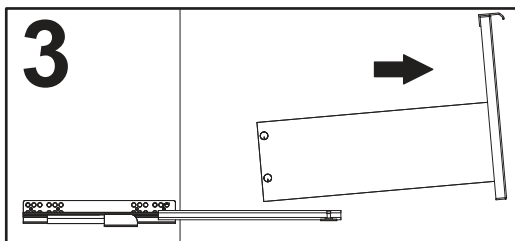
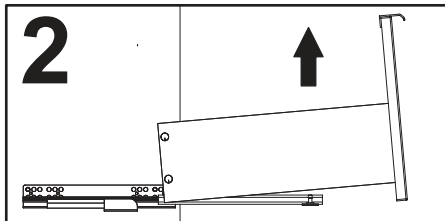
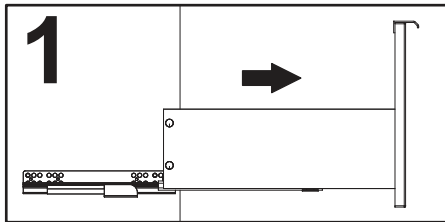
BLAT 60 CM BL850, 89-60-B
BLAT 80 CM BL851, 89-80-B



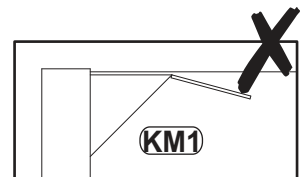
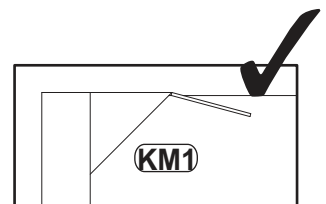
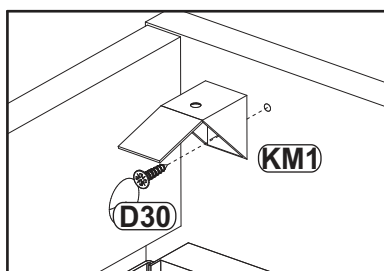
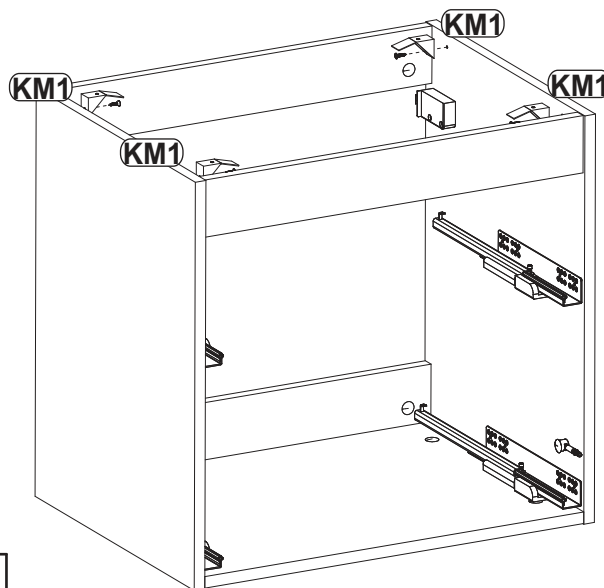
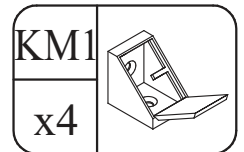
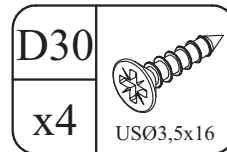
BLAT 60 CM BL850, 89-60-B
BLAT 80 CM BL851, 89-80-B

SZAFKA P./UM 2SZ 82-60-B-2S ; SZAFKA P./UM 2SZ 82-80-B-2S

1

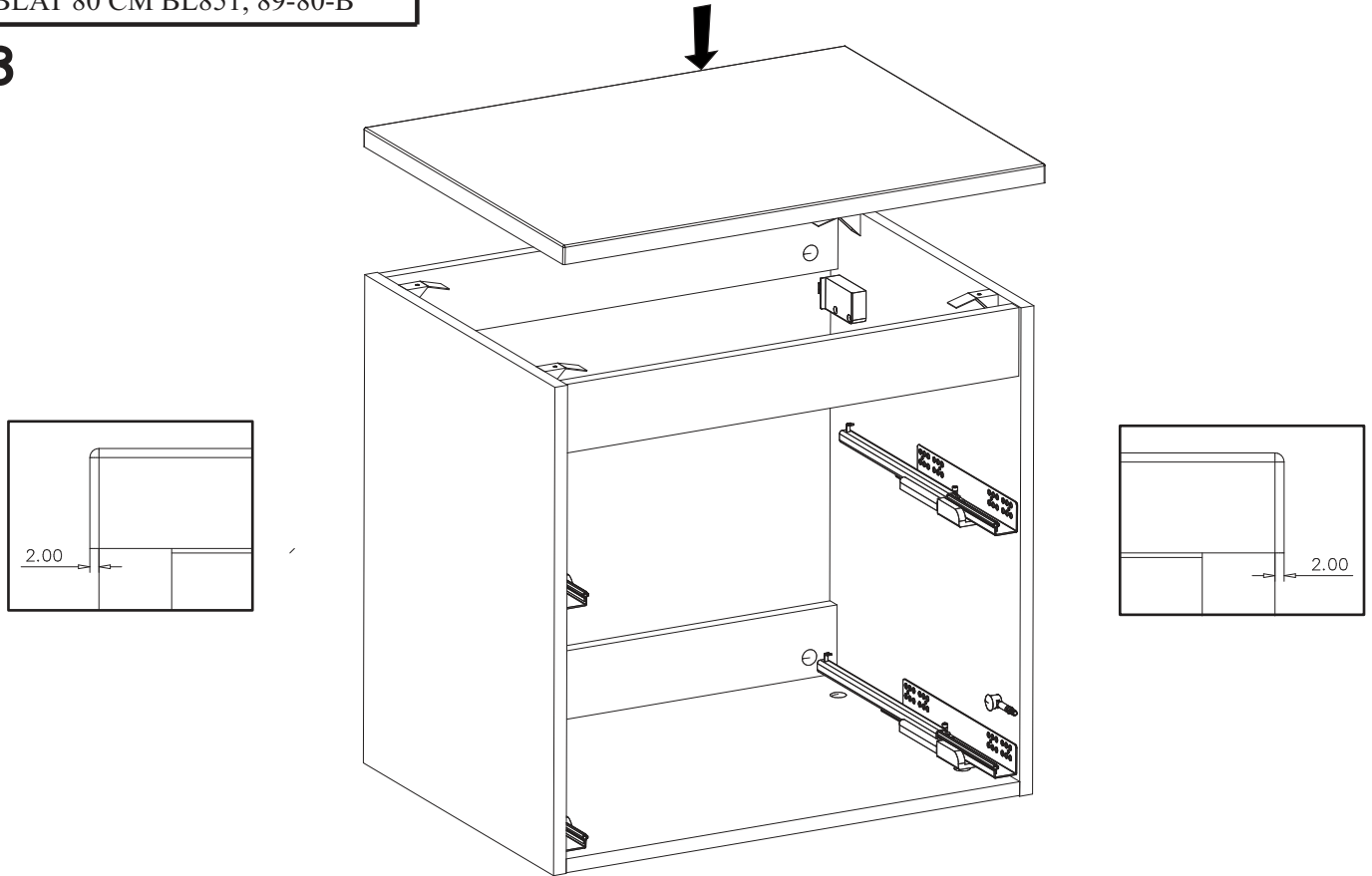


2

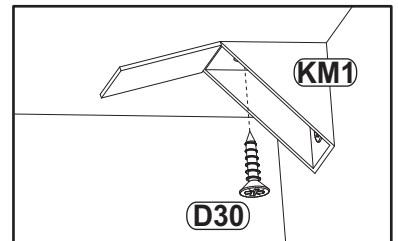
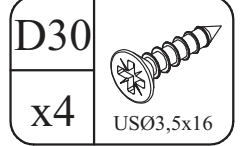
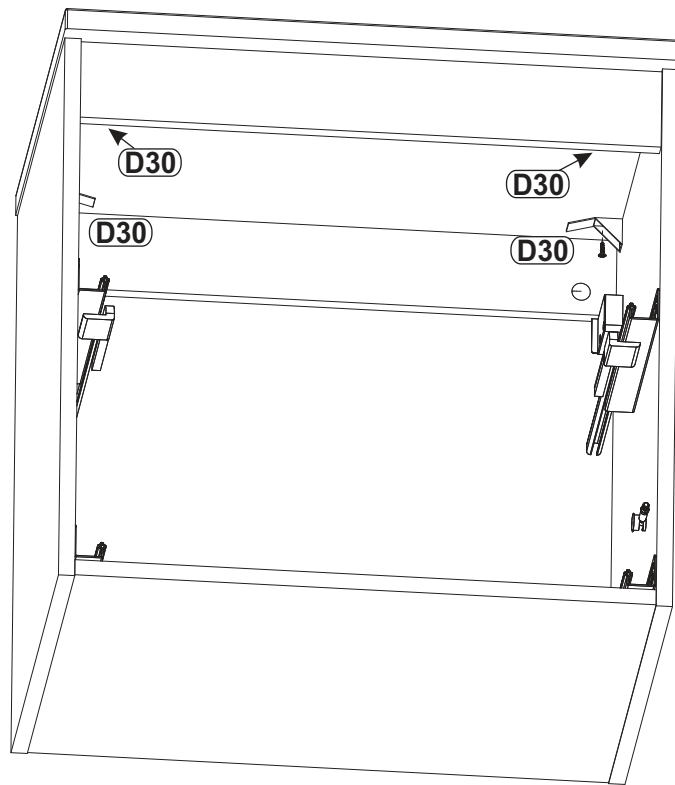


BLAT 60 CM BL850, 89-60-B
BLAT 80 CM BL851, 89-80-B

3

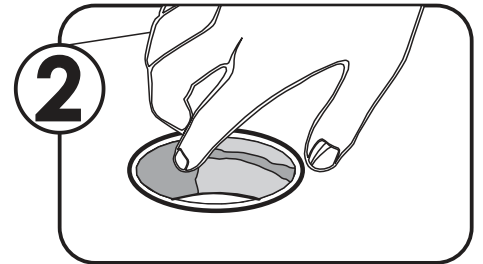
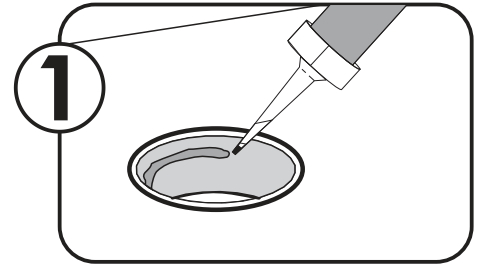
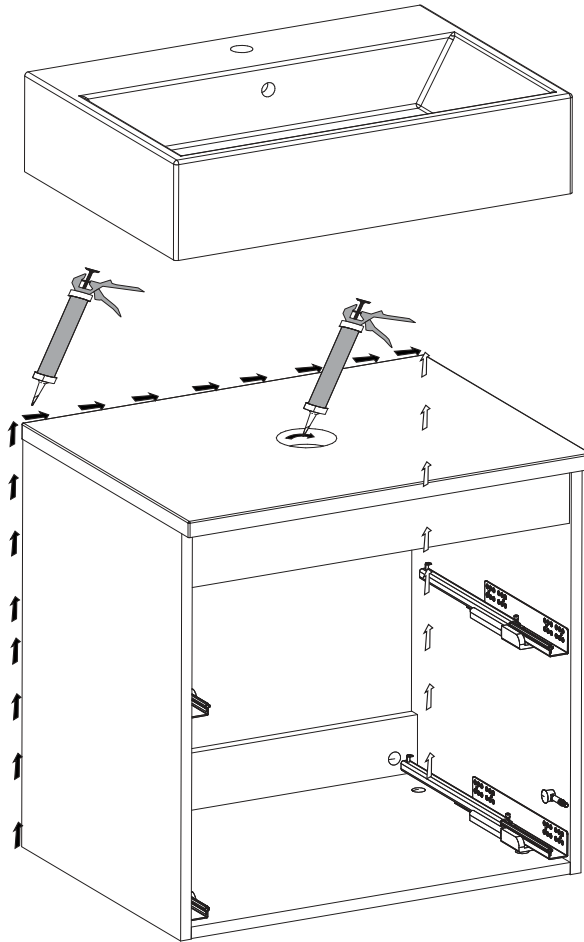


4

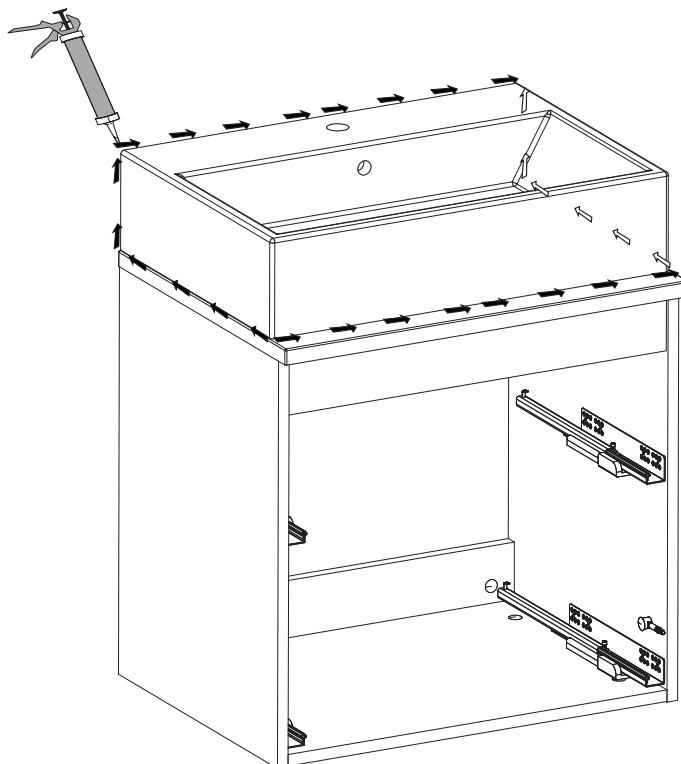


BLAT 60 CM BL850, 89-60-B
BLAT 80 CM BL851, 89-80-B

5



6

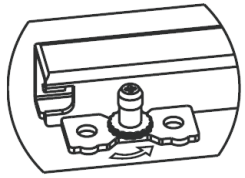


BLAT 60 CM BL850, 89-60-B
BLAT 80 CM BL851, 89-80-B

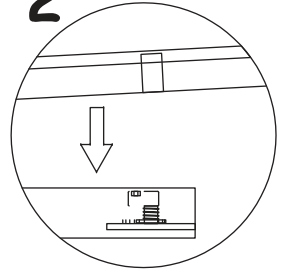
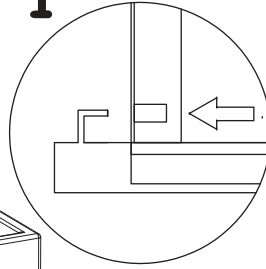
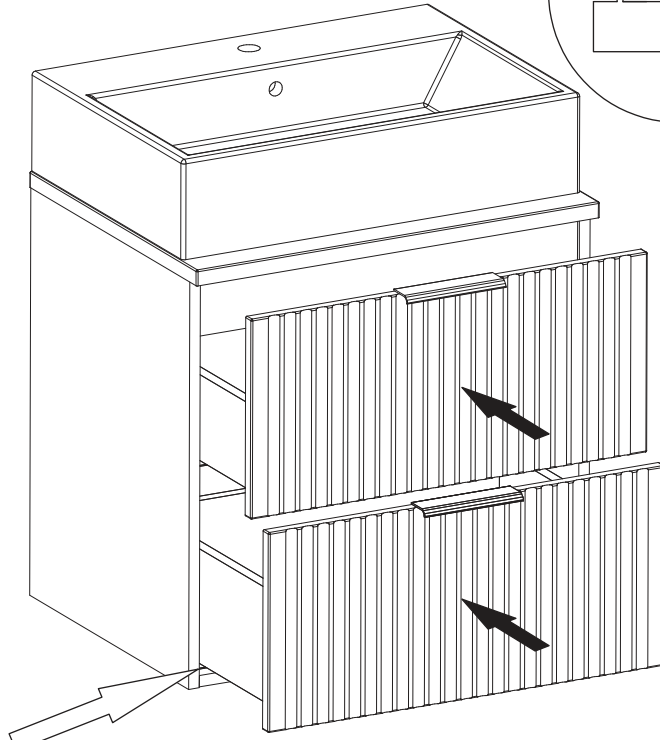
7

1

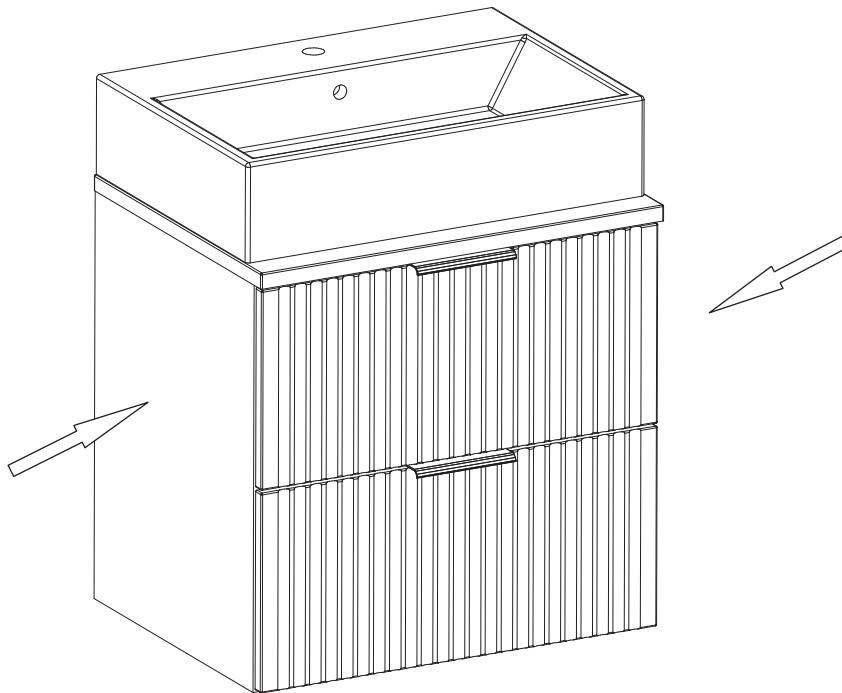
2



↑ +4 mm

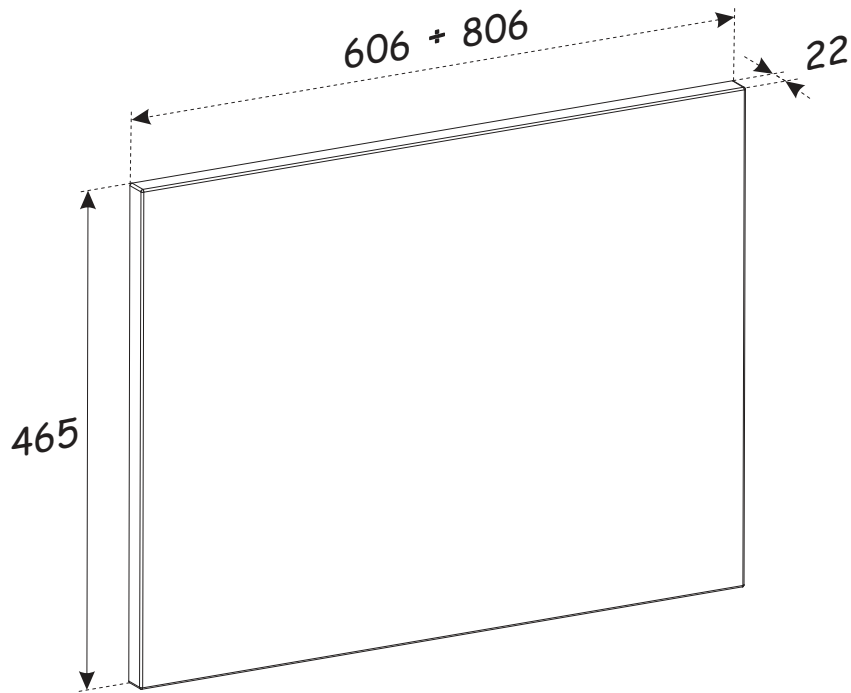
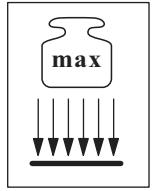
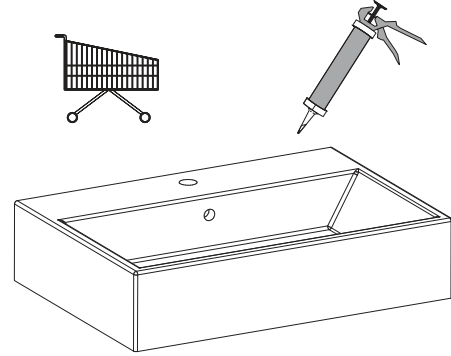


8

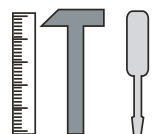
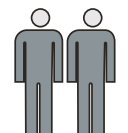


BLAT 60 CM BL850, 89-60-B
 BLAT 80 CM BL851, 89-80-B

SILIKON



90 min

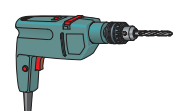


BLAT 60 CM BL850, 89-60-B

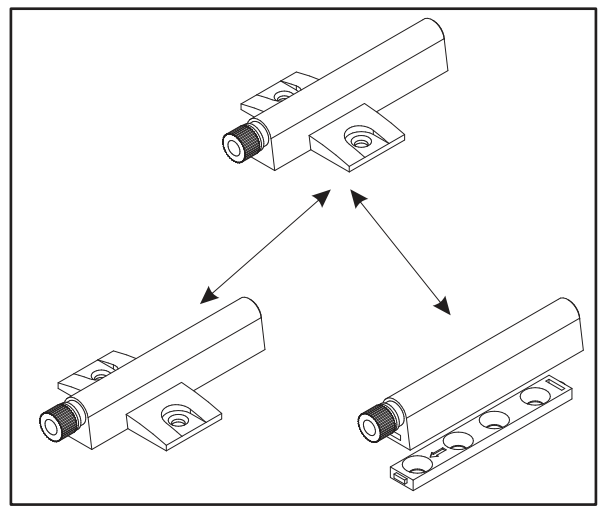
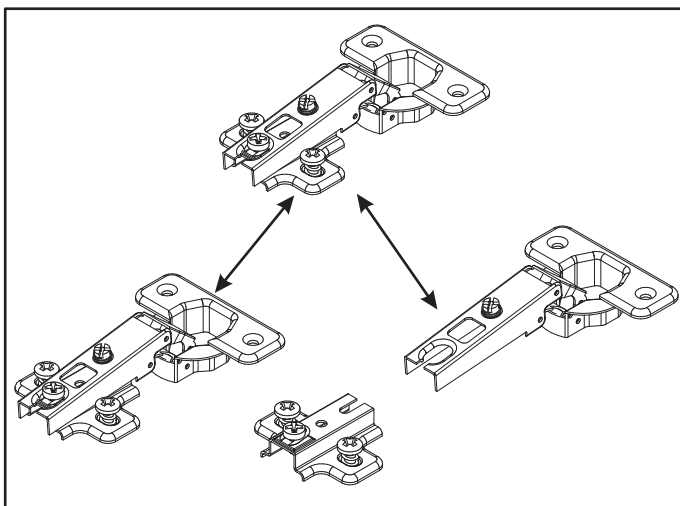
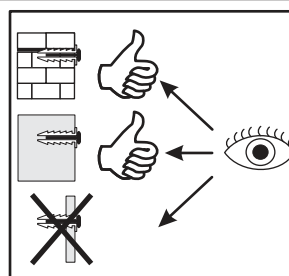
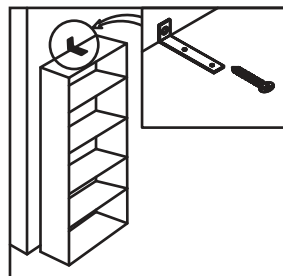
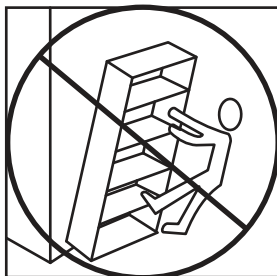
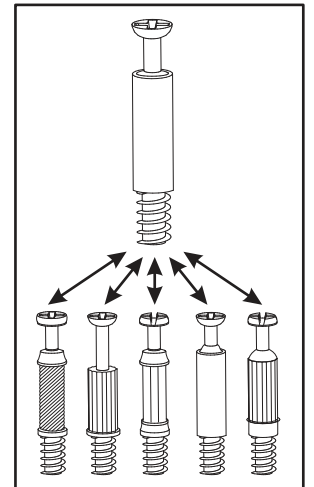
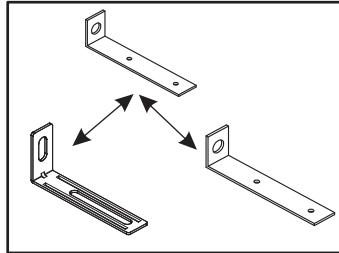
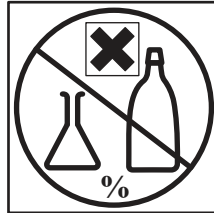
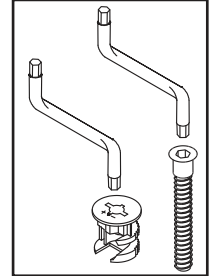
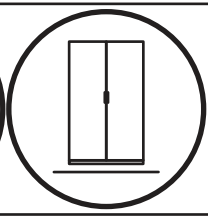
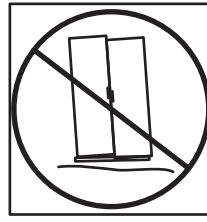
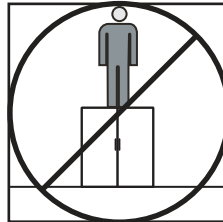
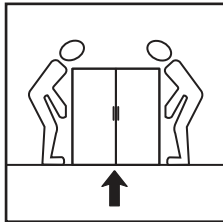
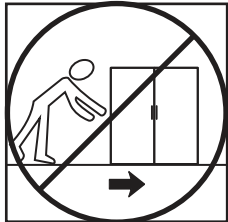
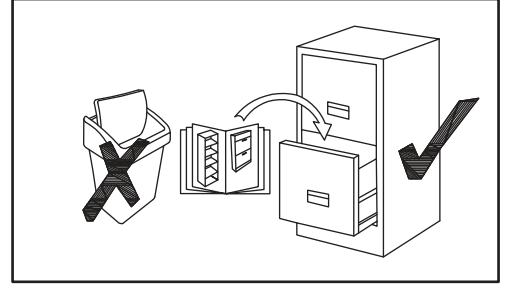
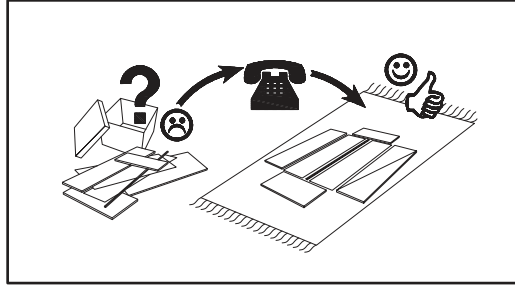
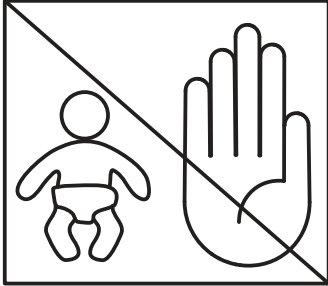
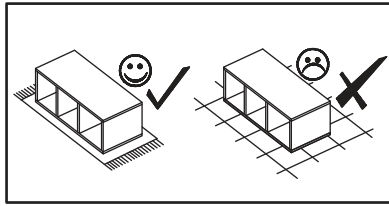
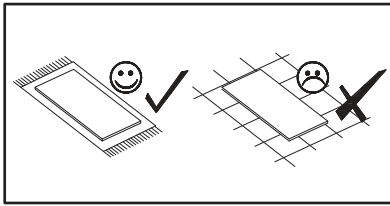
NO	Dim.			Col.-No	Qty
1	606	465	22	1	1

BLAT 80 CM BL851, 89-80-B

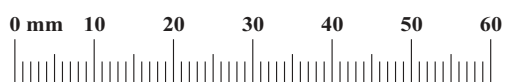
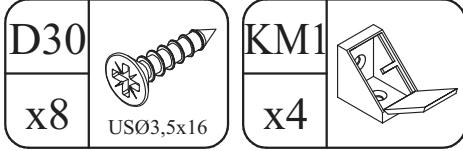
NO	Dim.			Col.-No	Qty
1	806	465	22	1	1



BLAT 60 CM BL850, 89-60-B
BLAT 80 CM BL851, 89-80-B



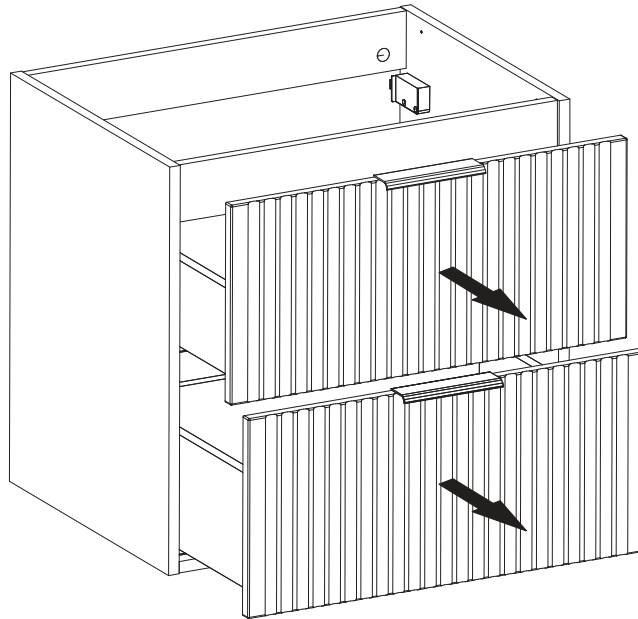
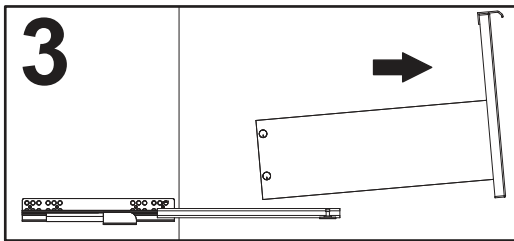
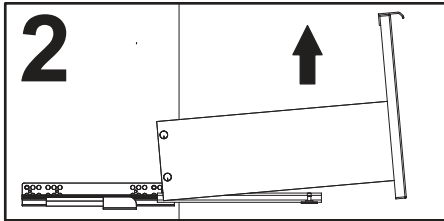
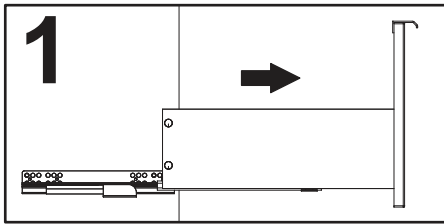
BLAT 60 CM BL850, 89-60-B
BLAT 80 CM BL851, 89-80-B



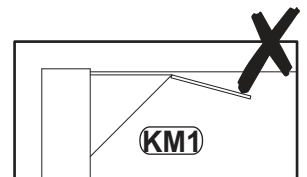
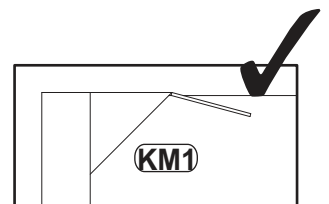
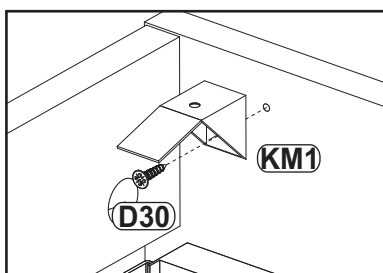
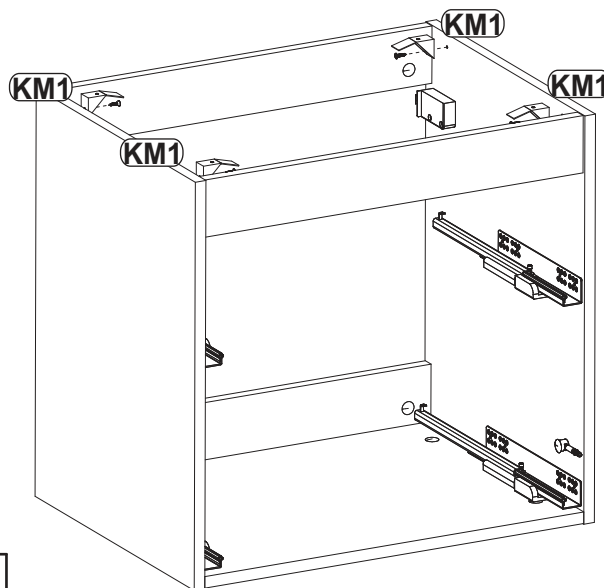
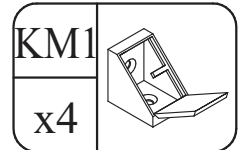
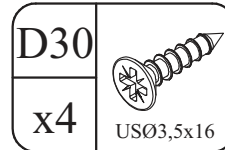
BLAT 60 CM BL850, 89-60-B
BLAT 80 CM BL851, 89-80-B

SZAFKA P./UM 2SZ 82-60-B-2S ; SZAFKA P./UM 2SZ 82-80-B-2S

1

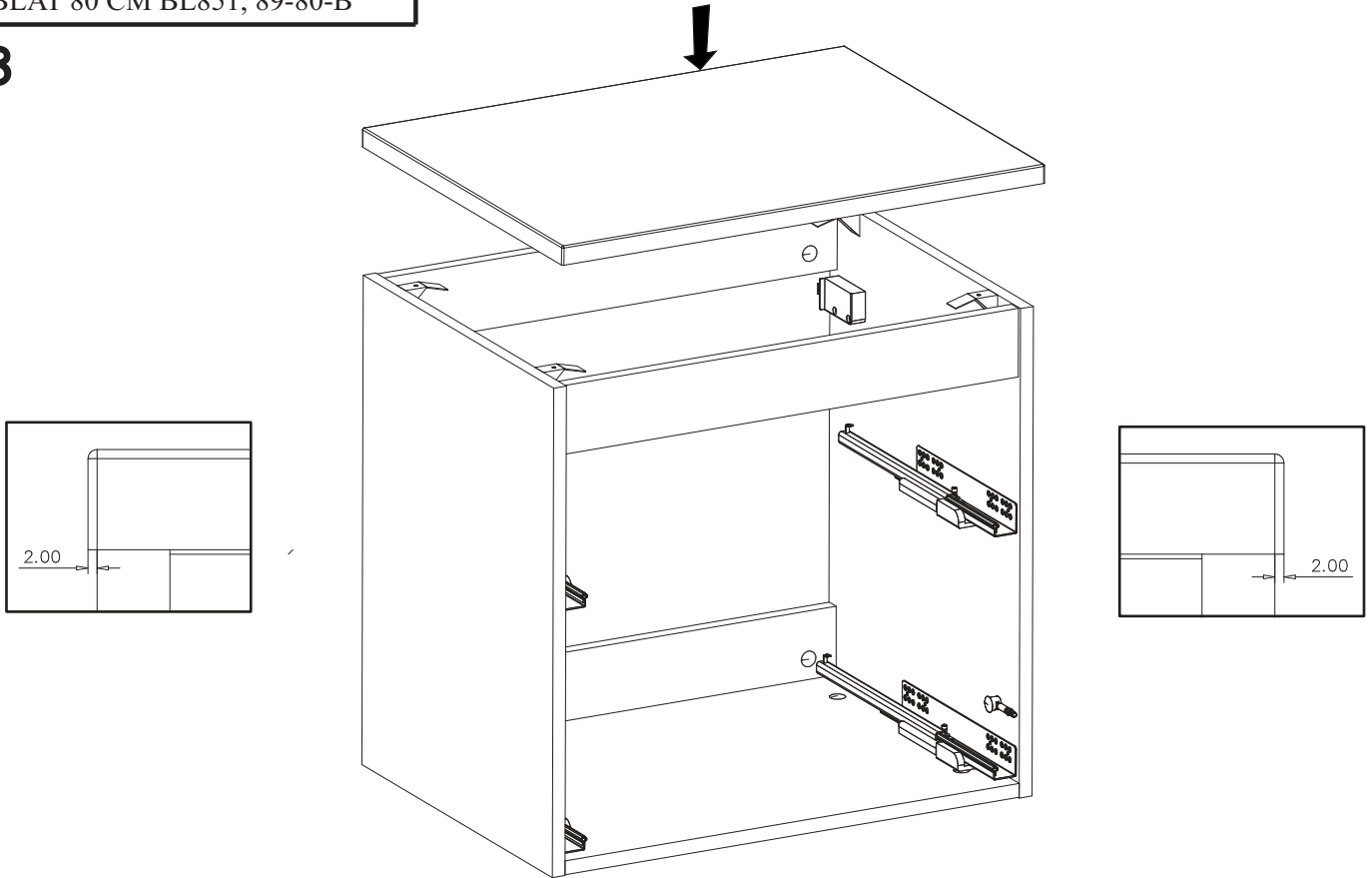


2

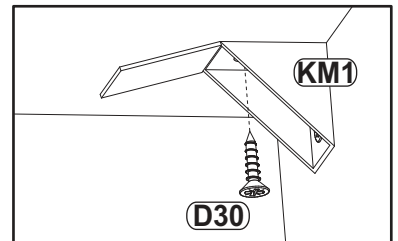
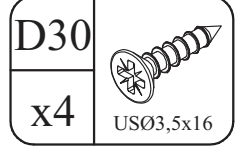
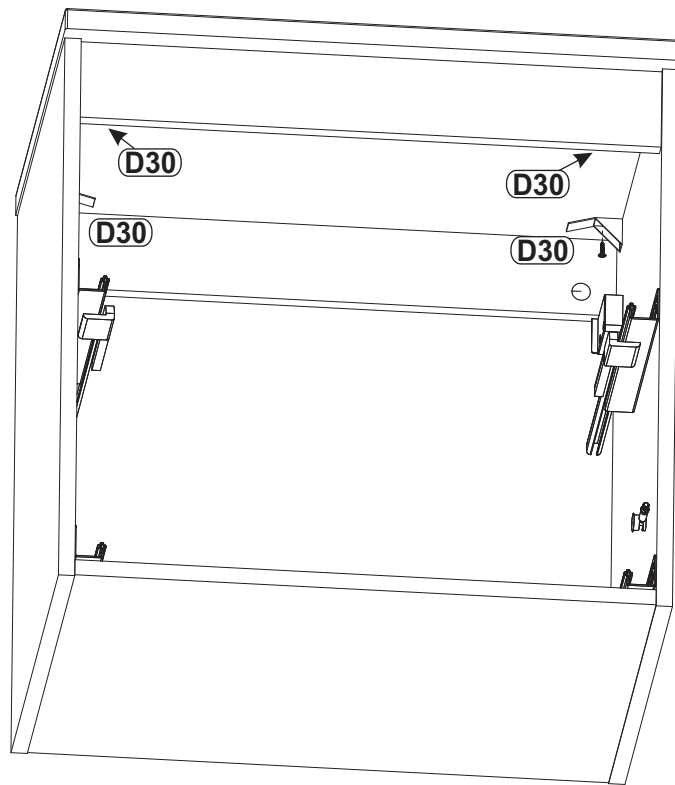


BLAT 60 CM BL850, 89-60-B
BLAT 80 CM BL851, 89-80-B

3

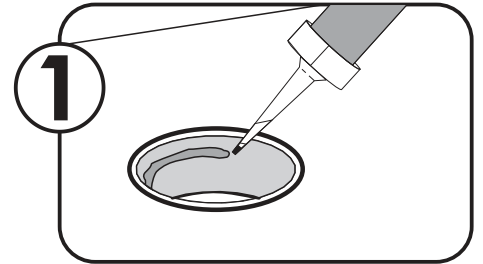
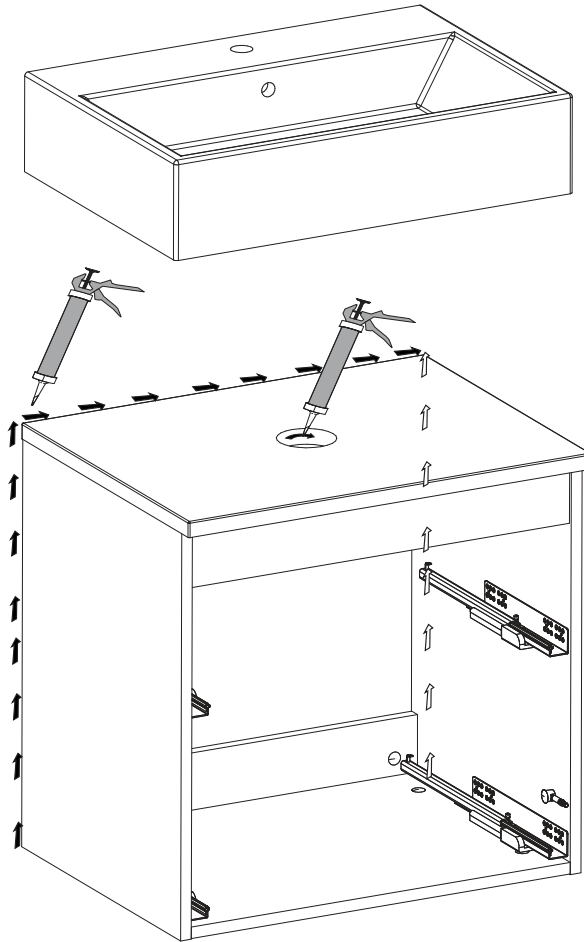


4

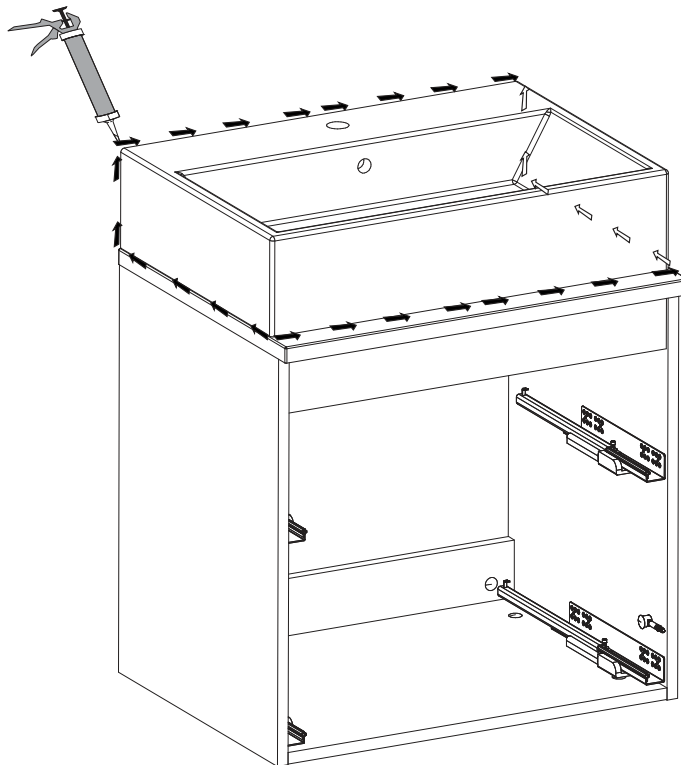


BLAT 60 CM BL850, 89-60-B
BLAT 80 CM BL851, 89-80-B

5



6

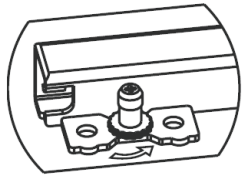


BLAT 60 CM BL850, 89-60-B
BLAT 80 CM BL851, 89-80-B

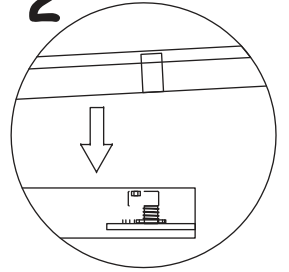
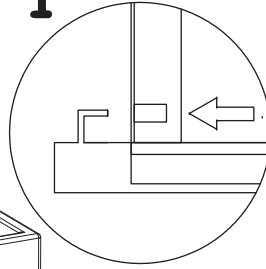
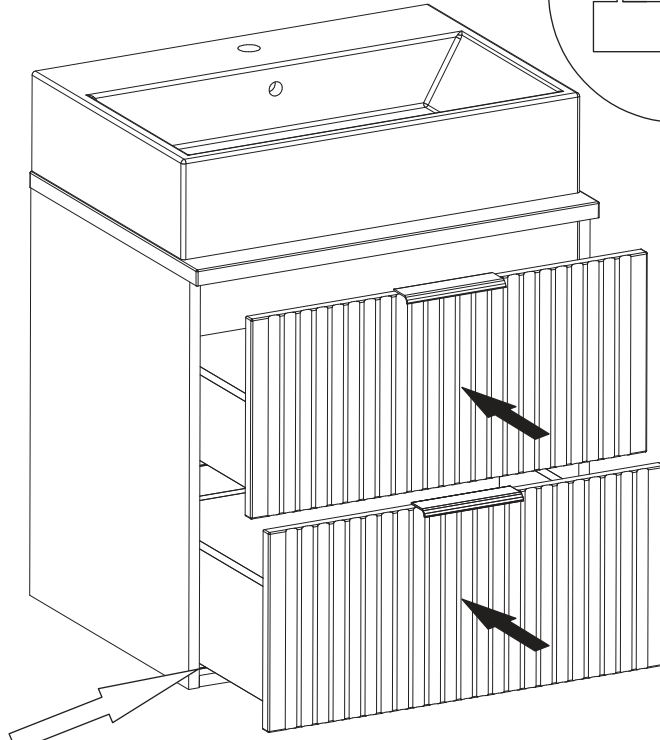
7

1

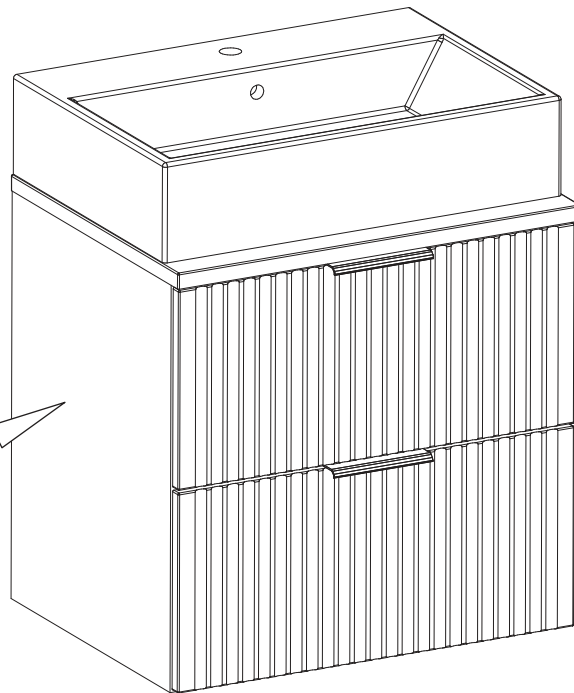
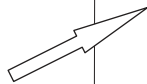
2



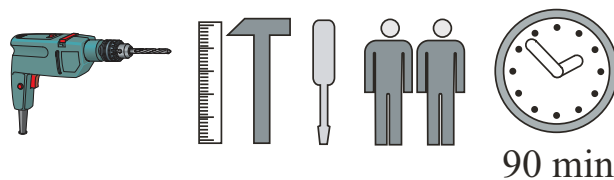
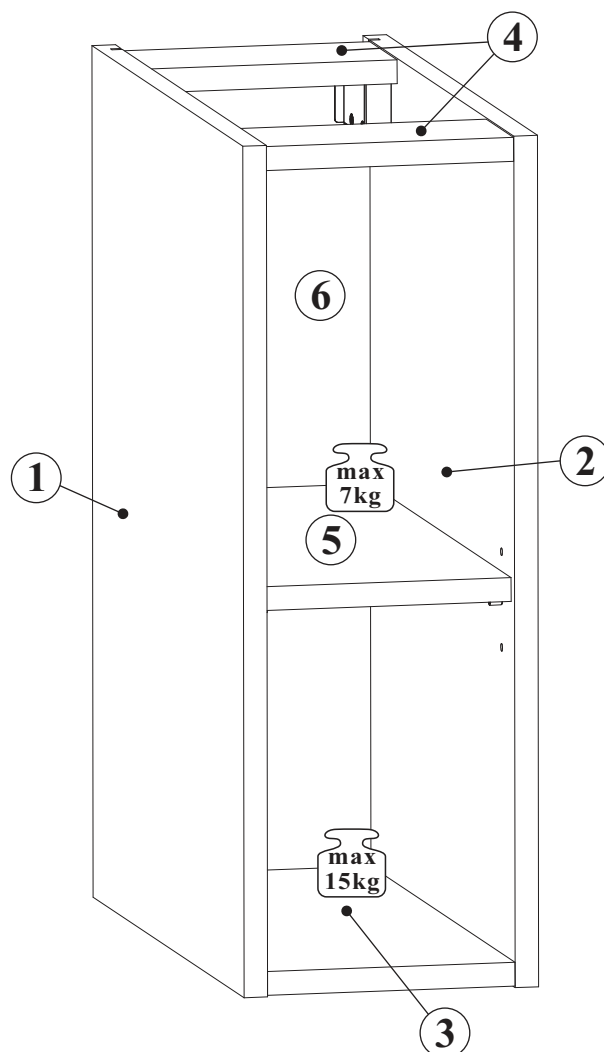
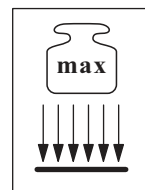
↑ +4 mm



8



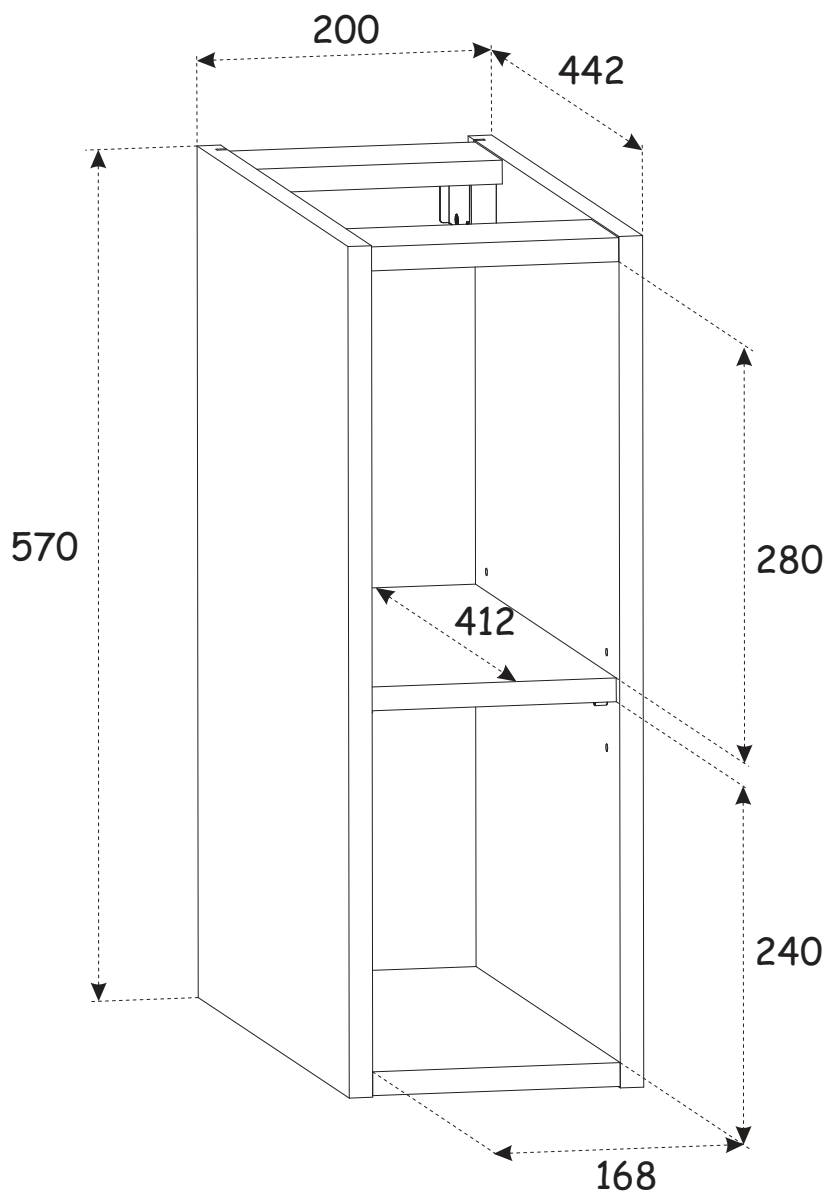
XILO - SZAFKA OTWARTA 81-01-A

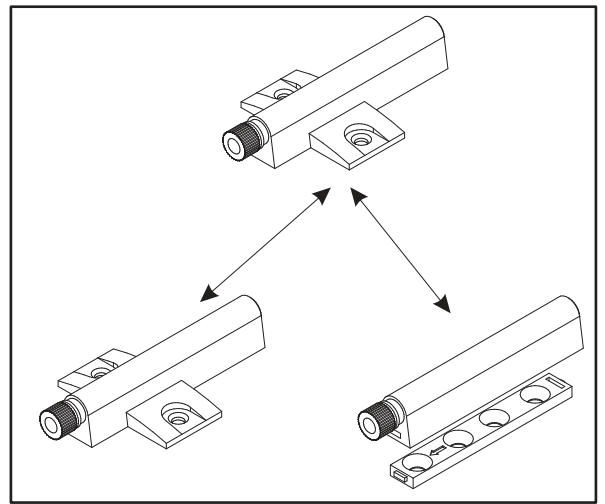
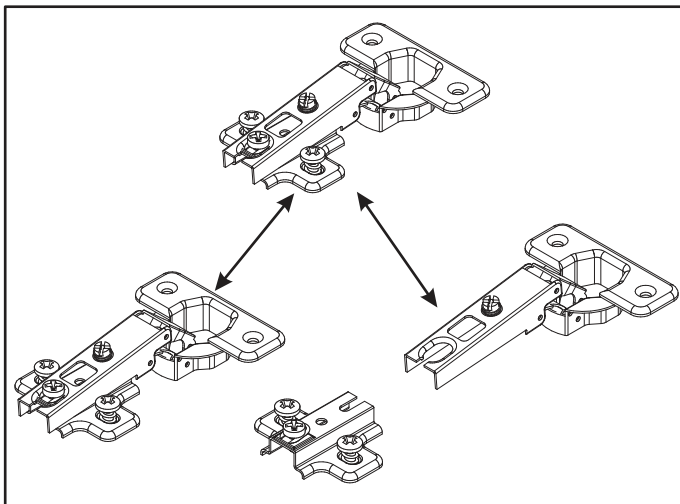
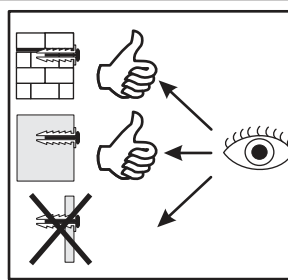
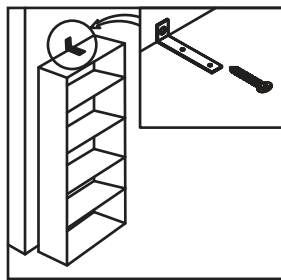
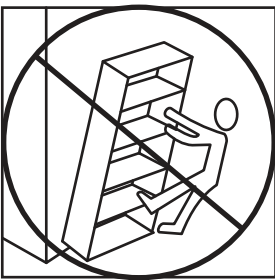
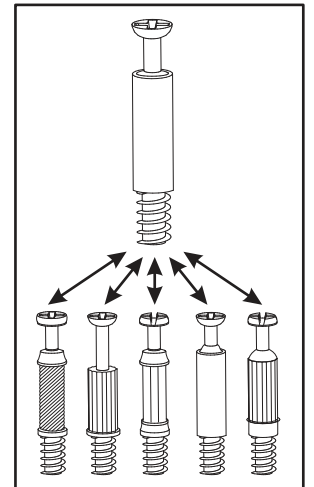
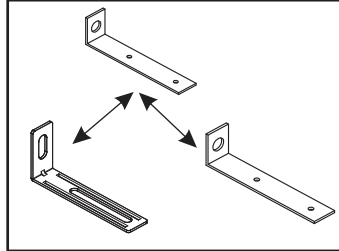
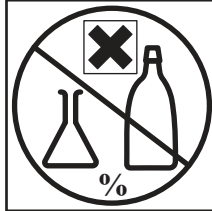
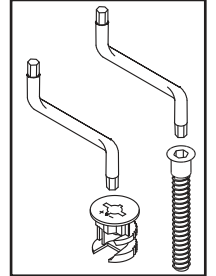
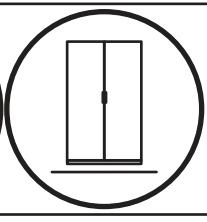
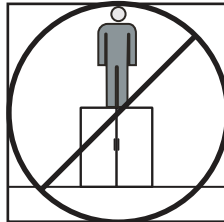
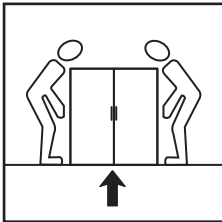
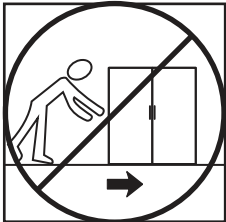
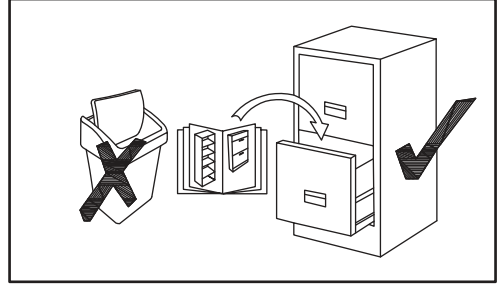
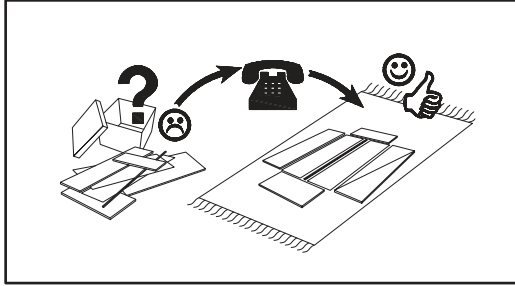
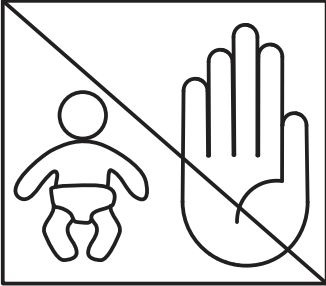
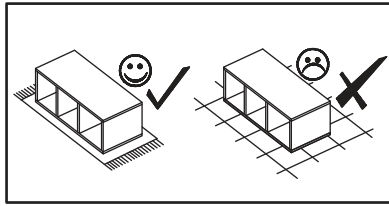
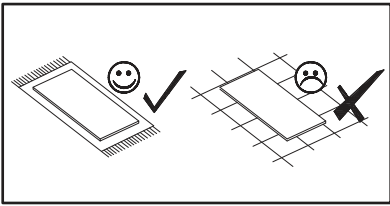


90 min

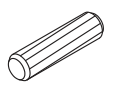
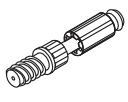


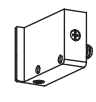
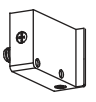
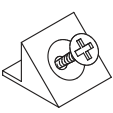
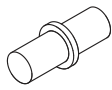
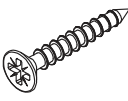
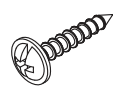
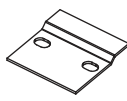
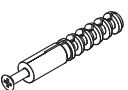

NO	Dim. [mm]			Col.-No	Qty
1	570	442	16	1	1
2	570	442	16	1	1
3	168	442	16	1	1
4	168	80	16	1	2
5	168	412	16	1	1
6	556	180	3	1	1

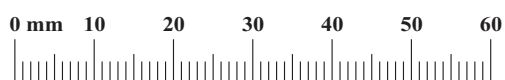
XILO - SZAFKA OTWARTA 81-01-A



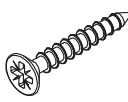


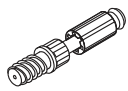
XILO - SZAFKA OTWARTA 81-01-A

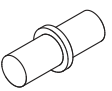
A1 x8	 ø8x36	B4 x8		B5 x8	 ø15x12	G5 x8		ZXP x1		ZXL x1	
S1 x5		G7 x4		D6 x4	 USØ3,5x30	UP13 x2	 UPØ3x16	SZ7 x2		KR1 x4	
G2 x1											





1

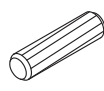
D6	
x4	USØ3,5x30

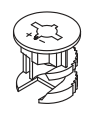
B4	
x8	

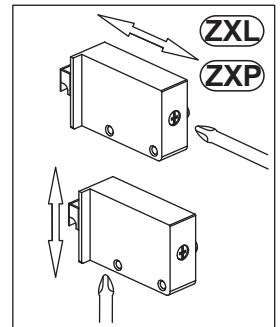
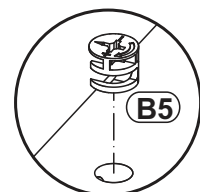
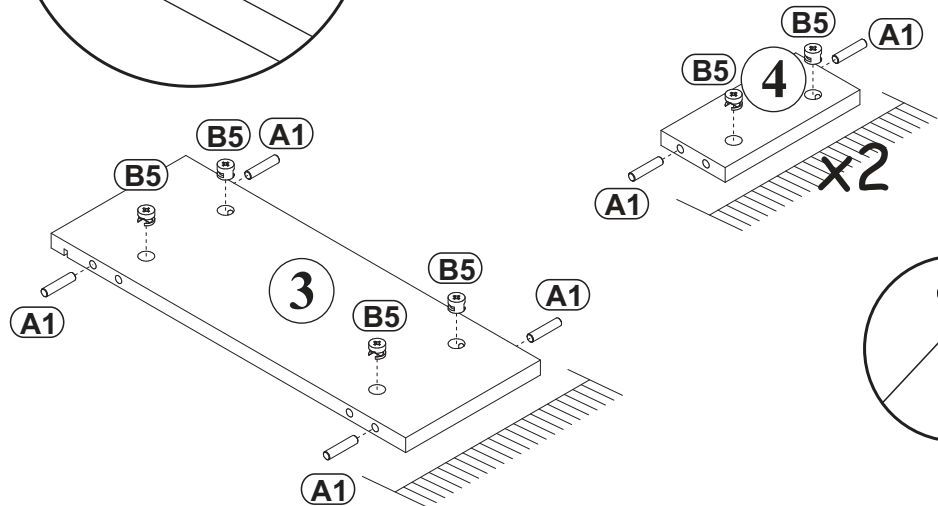
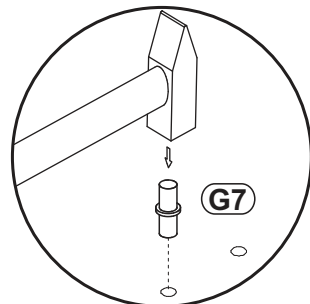
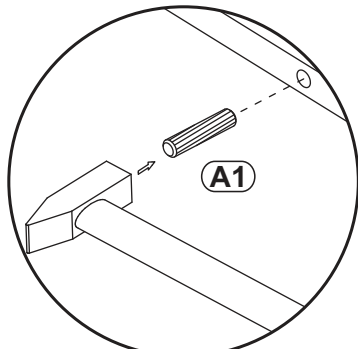
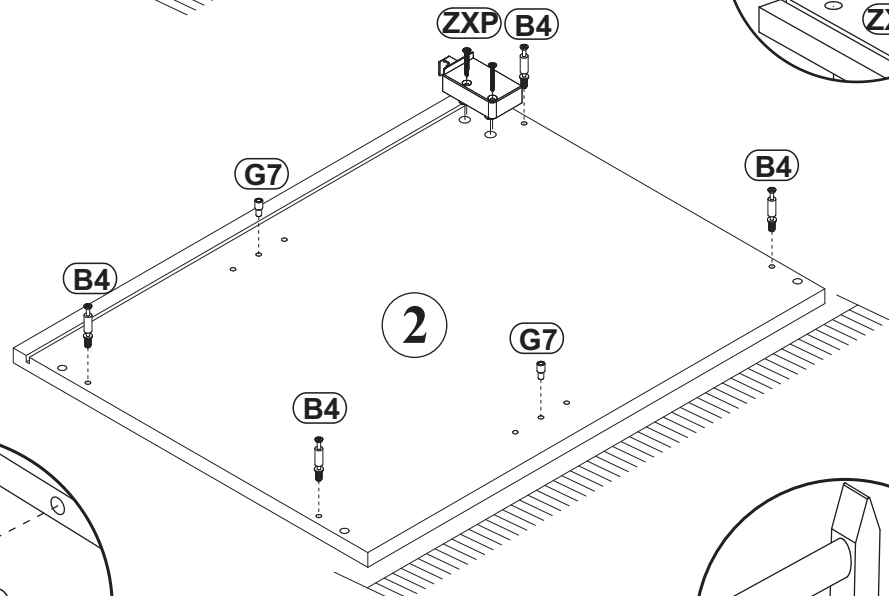
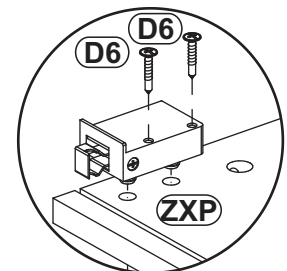
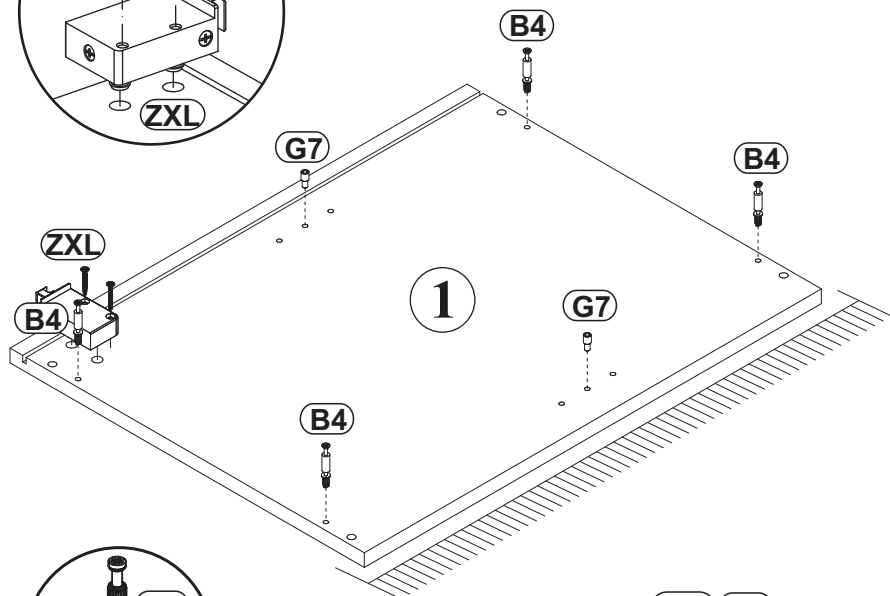
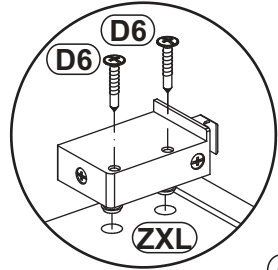
G7	
x4	


ZXP	
x1	

ZXL	
x1	

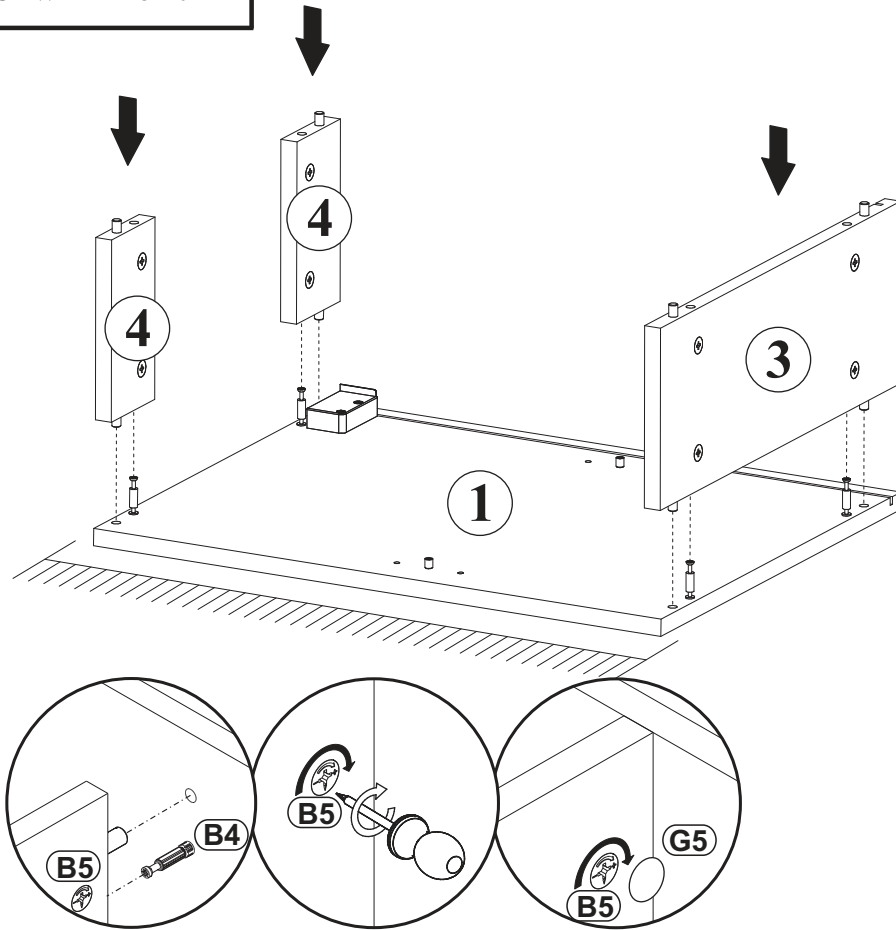
A1	
x8	ø8x36

B5	
x8	ø15x12

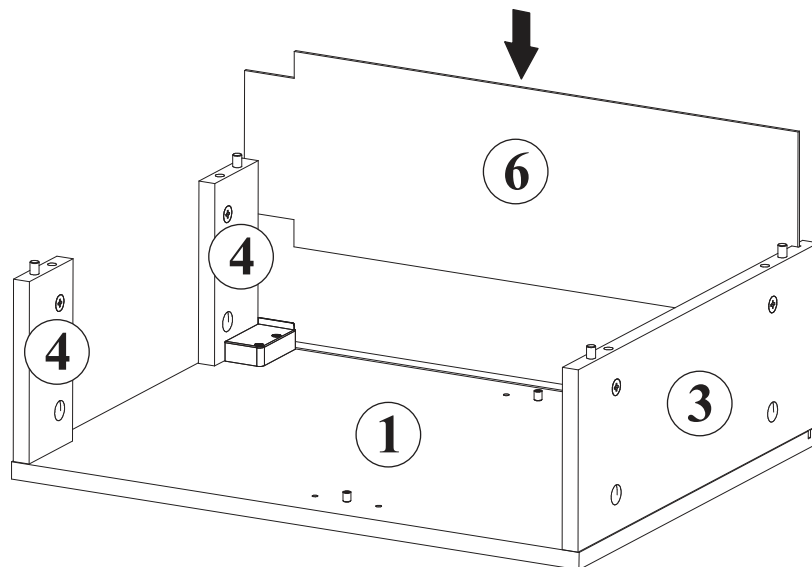



G5	
x4	

2

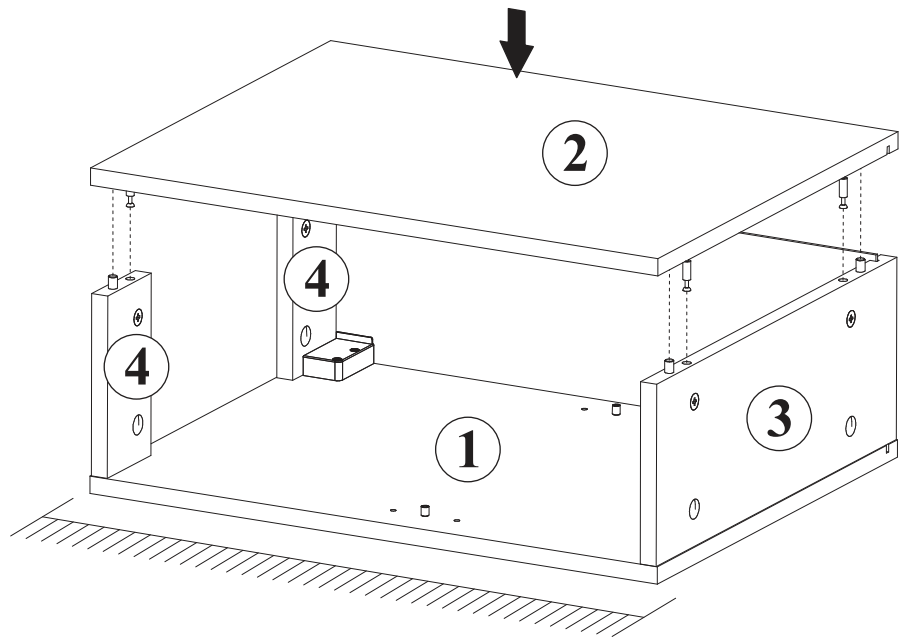
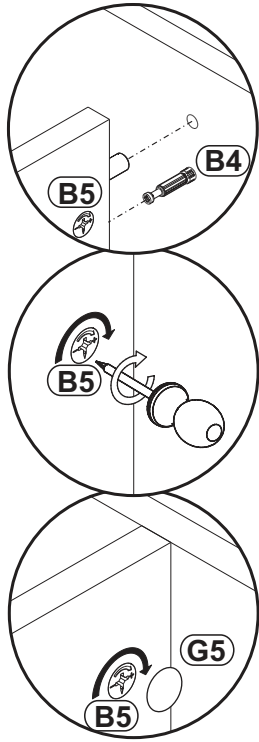


3



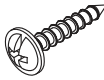
G5	
x4	

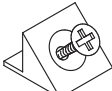
4

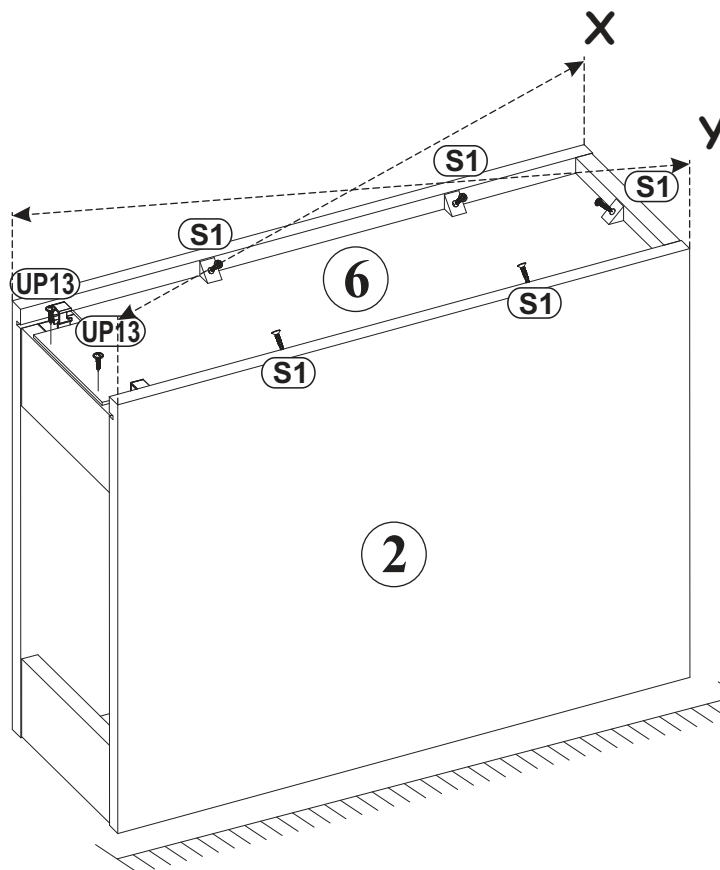
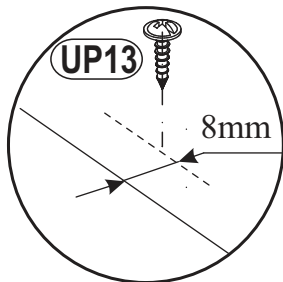
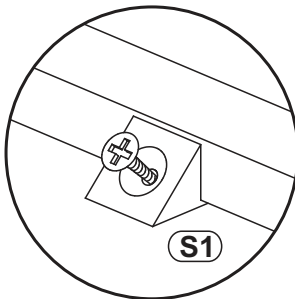


5

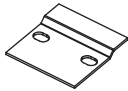



UP13	
x2	UP03x16

S1	
x5	



6

SZ7		KR1	
x2		x4	

