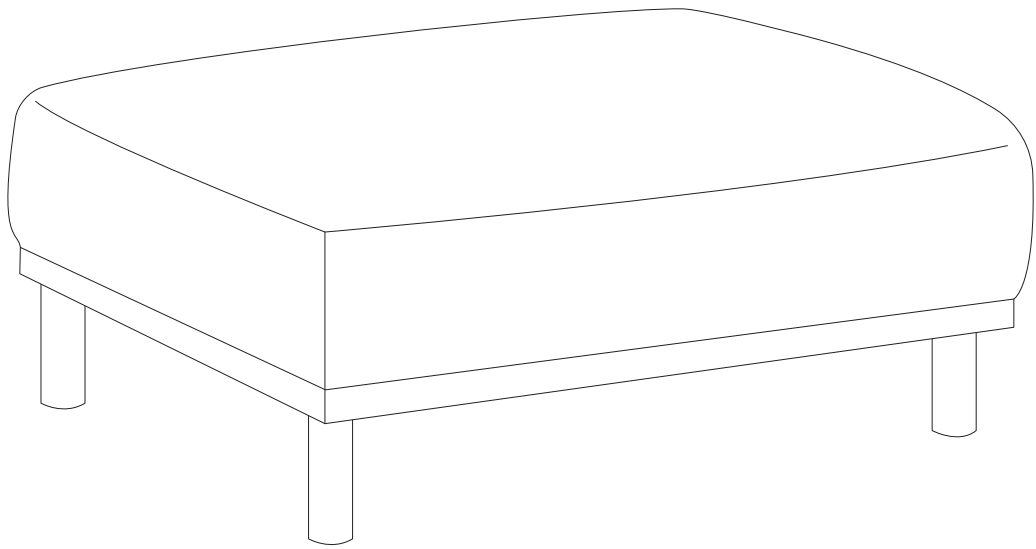


HOLT



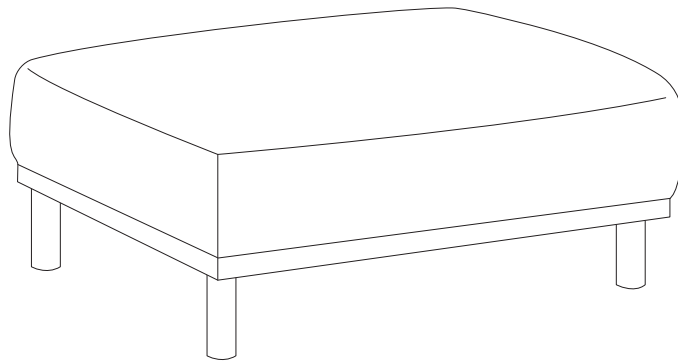
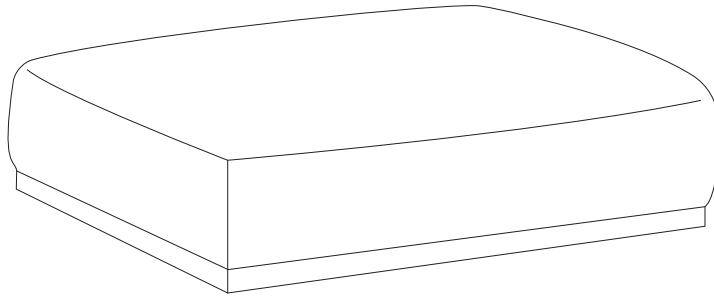


Diagram illustrating assembly instructions and safety warnings:

- Top Panel:** Shows a power drill with a diagonal slash through it, indicating that a power drill should not be used. To the right is a warning triangle with an exclamation mark.
- Bottom Panel:** Shows two diagrams of a rectangular block. The left diagram shows the block on a textured surface (possibly a rug or mat) with a diagonal slash through it, indicating it should not be placed on such a surface. The right diagram shows the block on a flat surface with a diagonal slash through it, indicating it should not be placed on a flat surface. To the right is a warning triangle with an exclamation mark.
- Timing:** A circular icon with a clock face and a curved arrow indicates a 5-minute assembly time.
- Personnel:** An icon of a person indicates that 1 person is required for assembly.

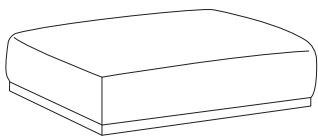
D



E x 4



D

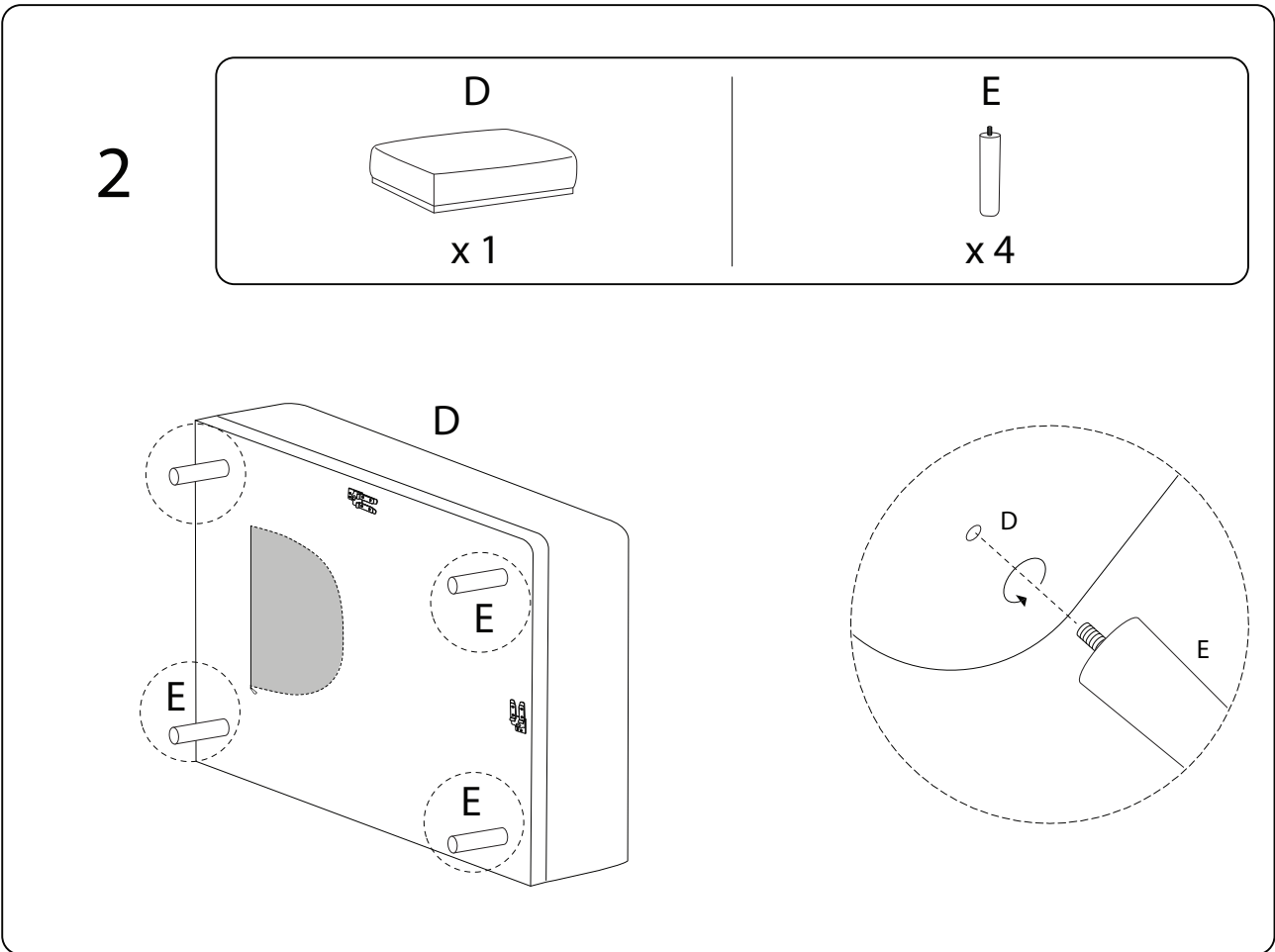
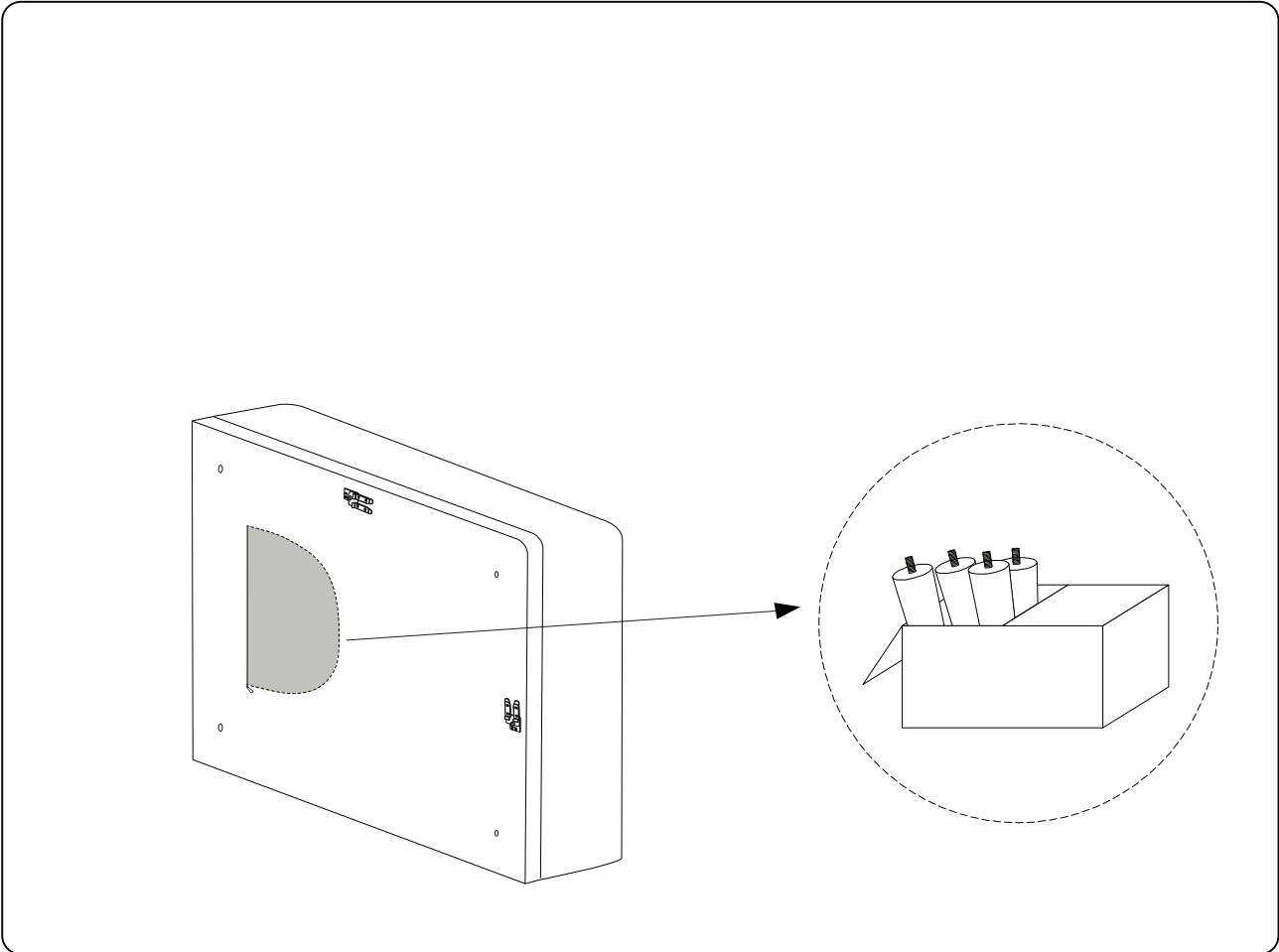


x 1

E



x 4



!

