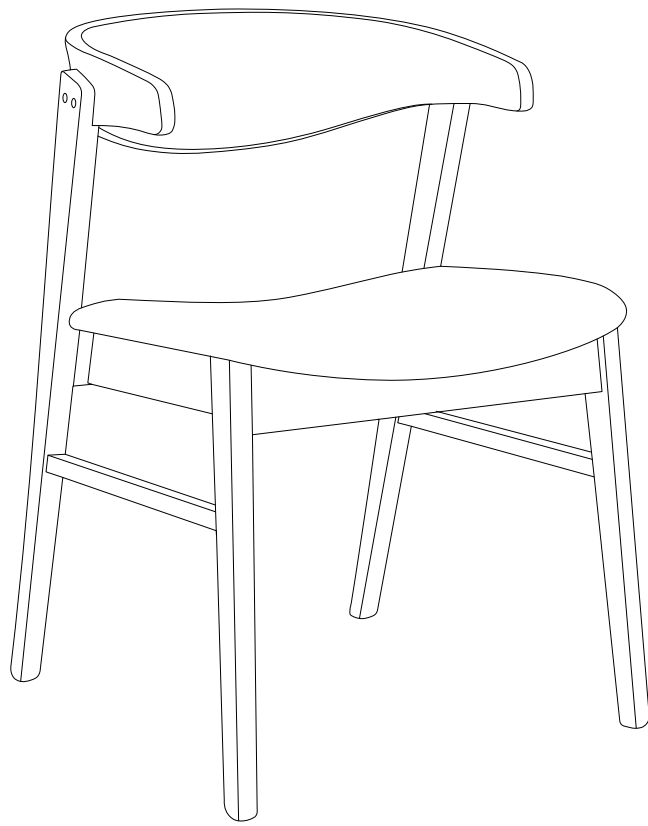
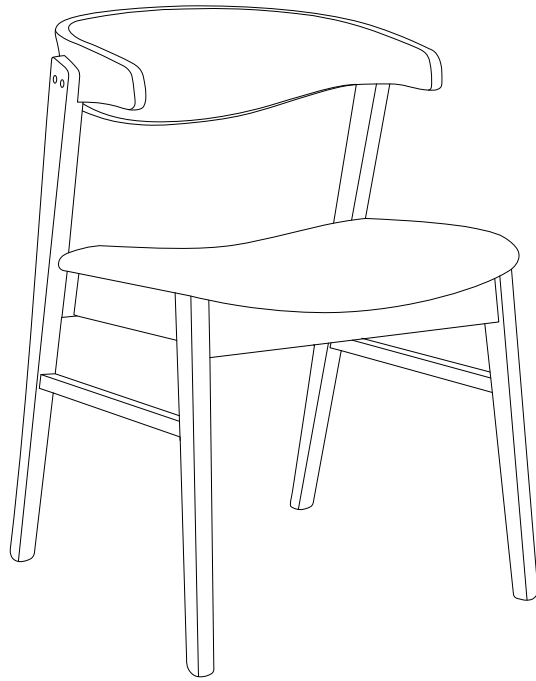
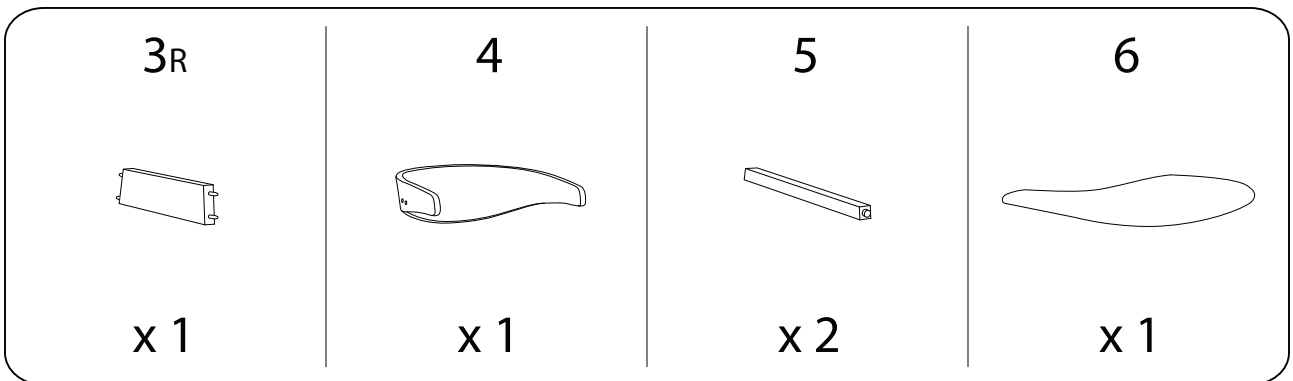
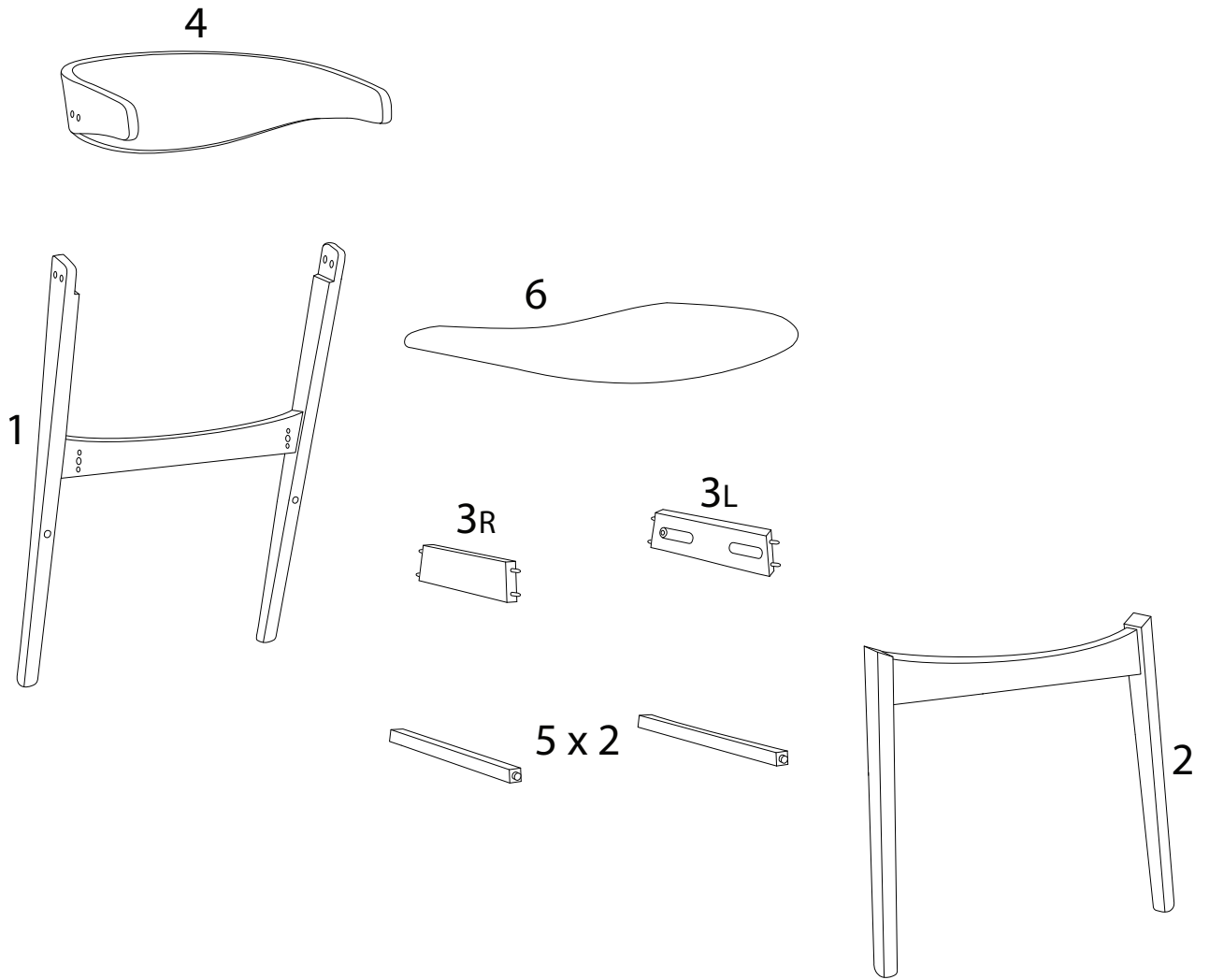
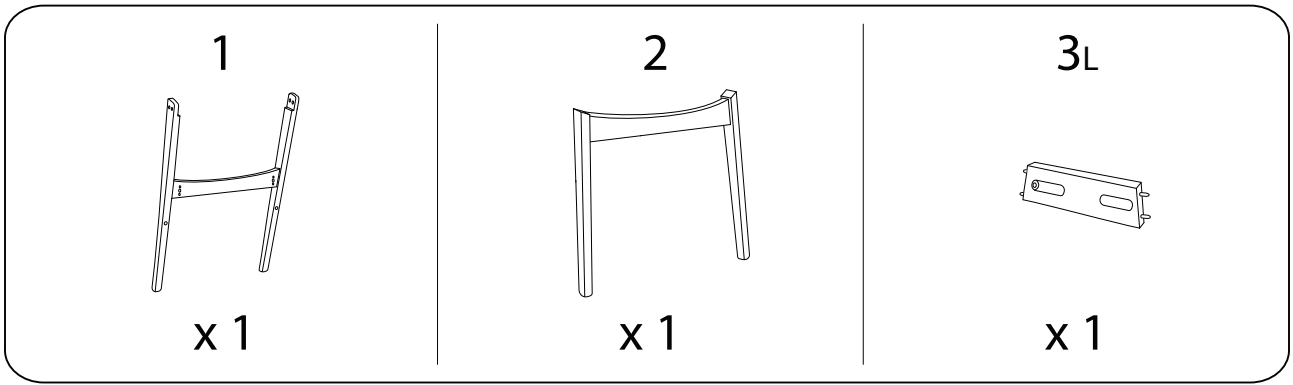


LILLY

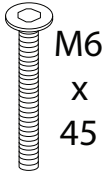




		25'
		1

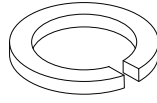


A1



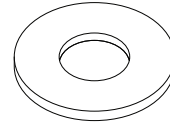
x 4

A2



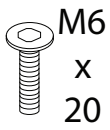
x 4

A3



x 4

B



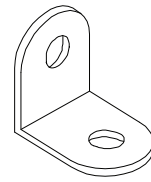
x 4

C



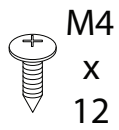
x 1

D



x 4

E



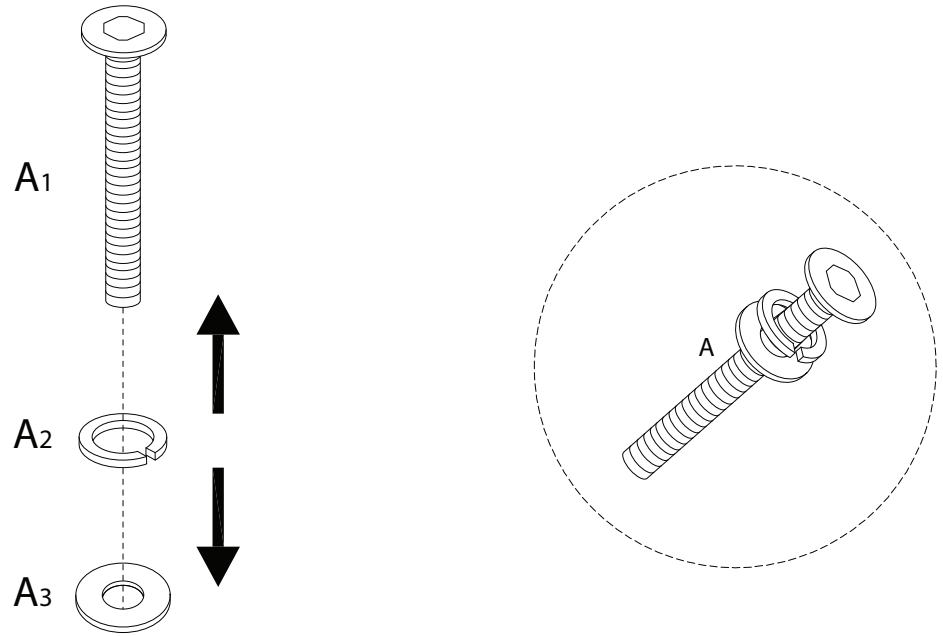
x 8

F

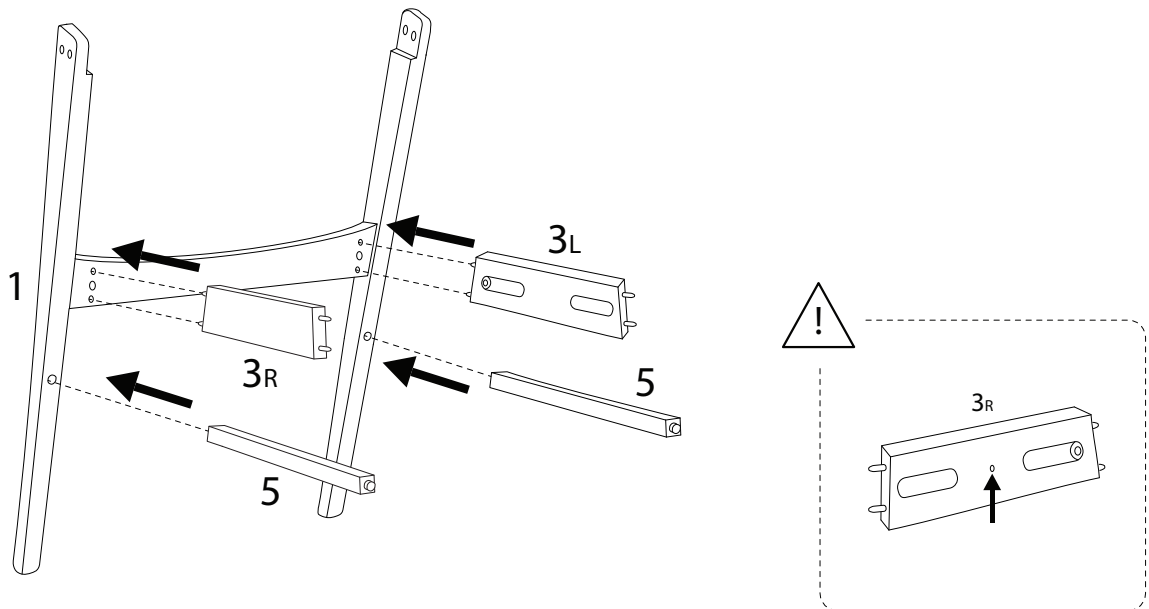
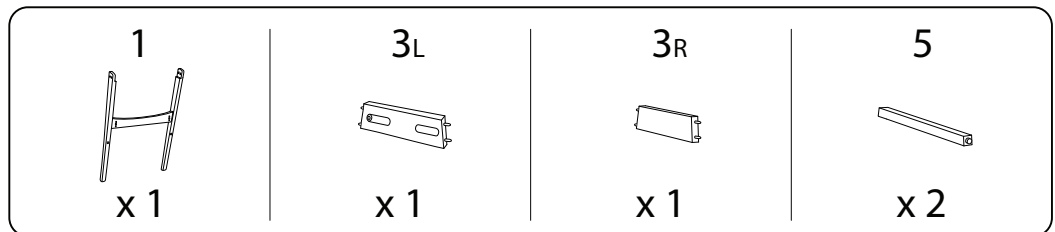


x 4

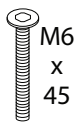
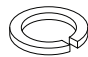
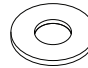


!

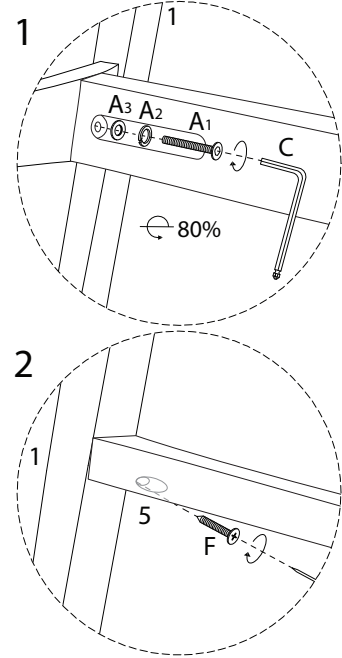
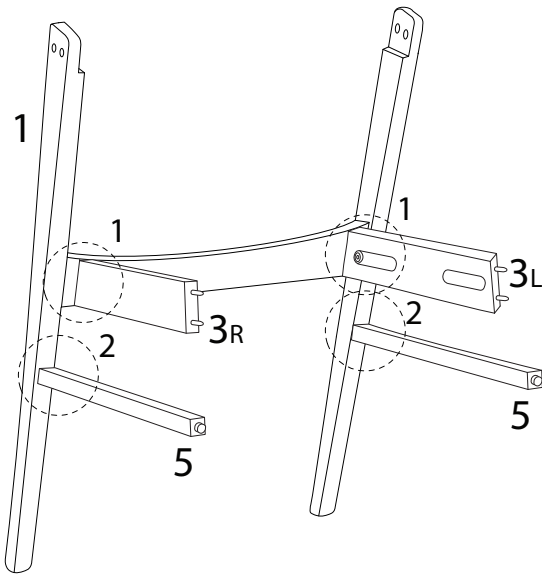


1

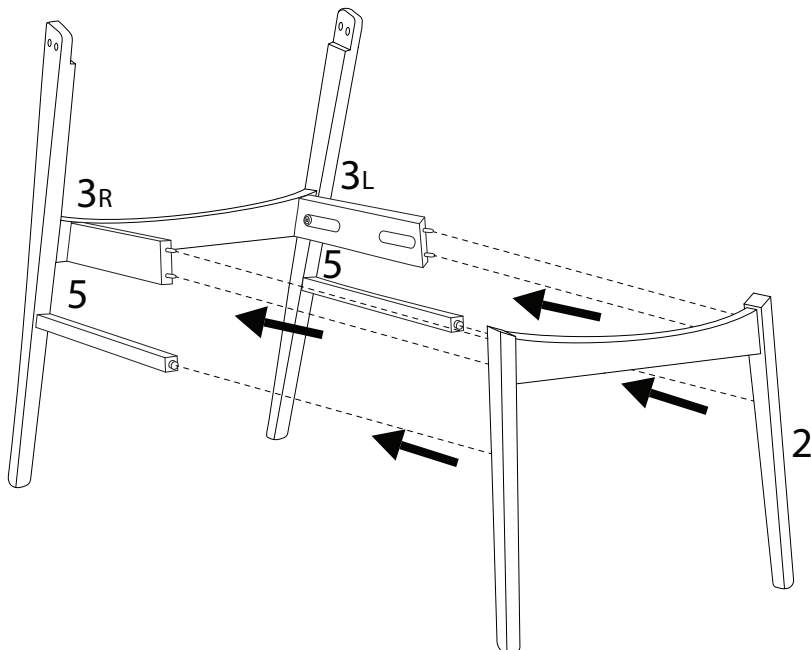
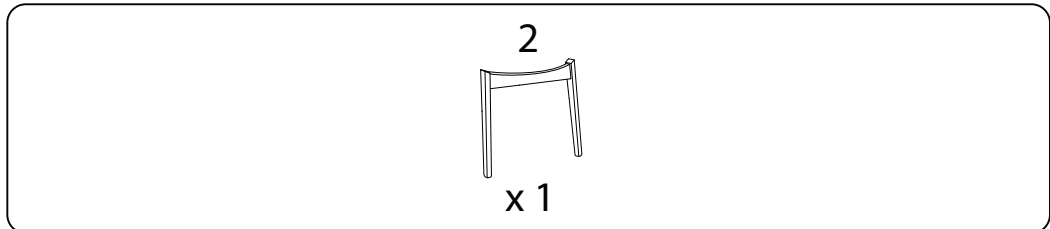


2

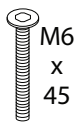
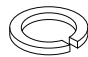
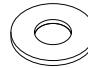


A1  x 2	A2  x 2	A3  x 2	C  x 1	F  x 2
---	---	---	--	--

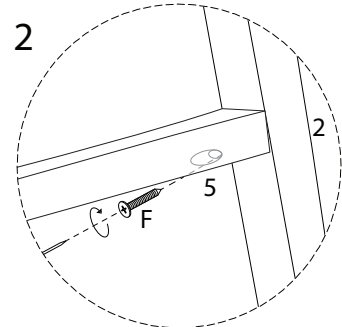
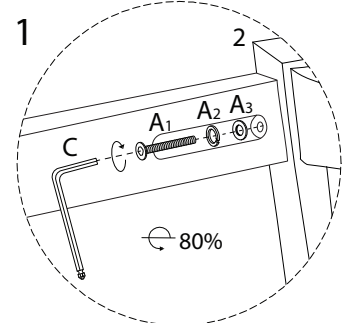
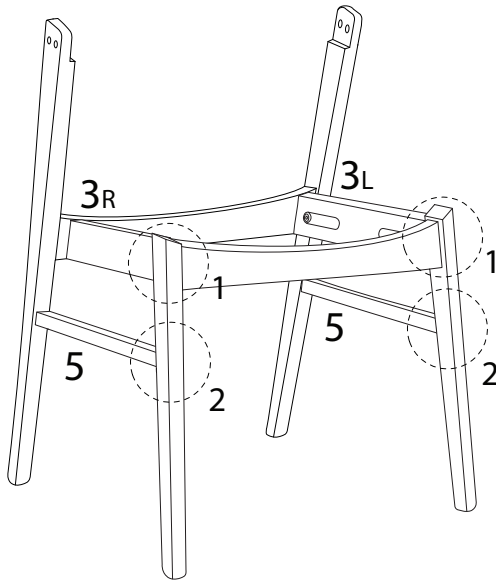


3






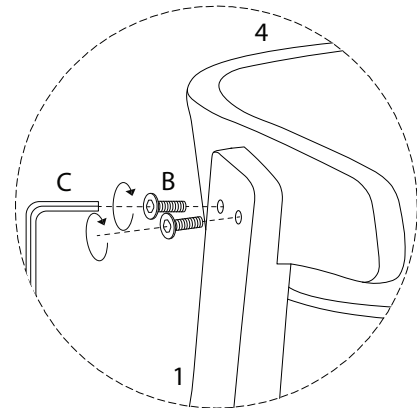
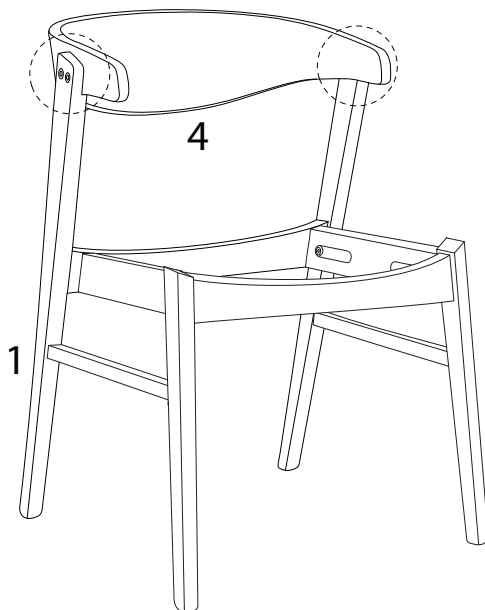
4

A1  x 2	A2  x 2	A3  x 2	C  x 1	F  x 2
---	---	---	--	--



5

4  x 1	B  x 4	C  x 1
--	--	--



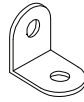
6

6



x 1

D

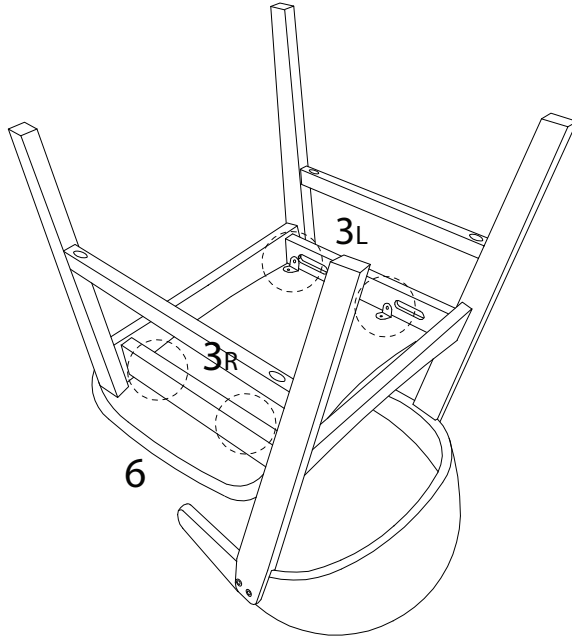


x 4

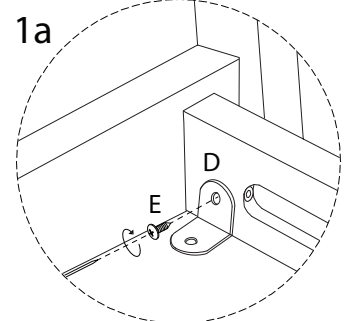
E



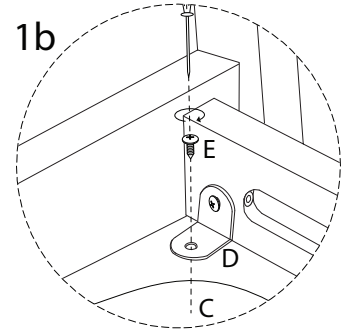
x 8



1a

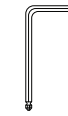


1b



7

C



x 1

