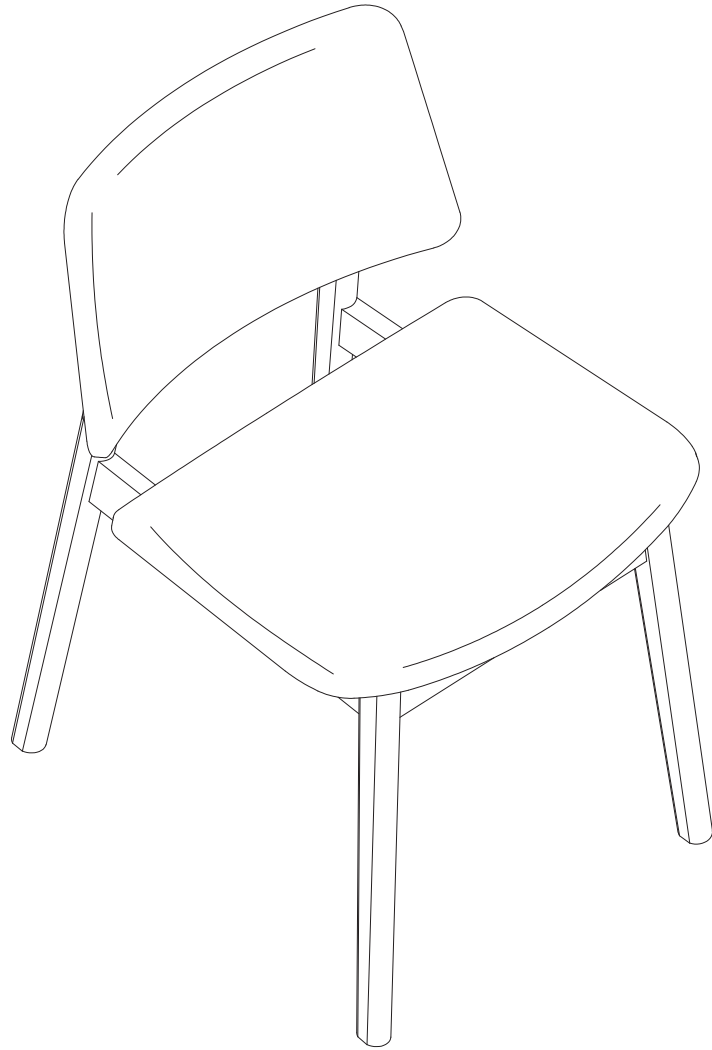
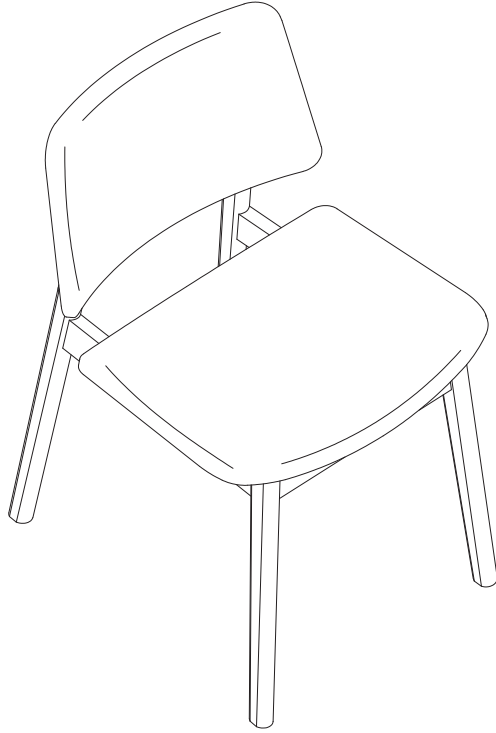
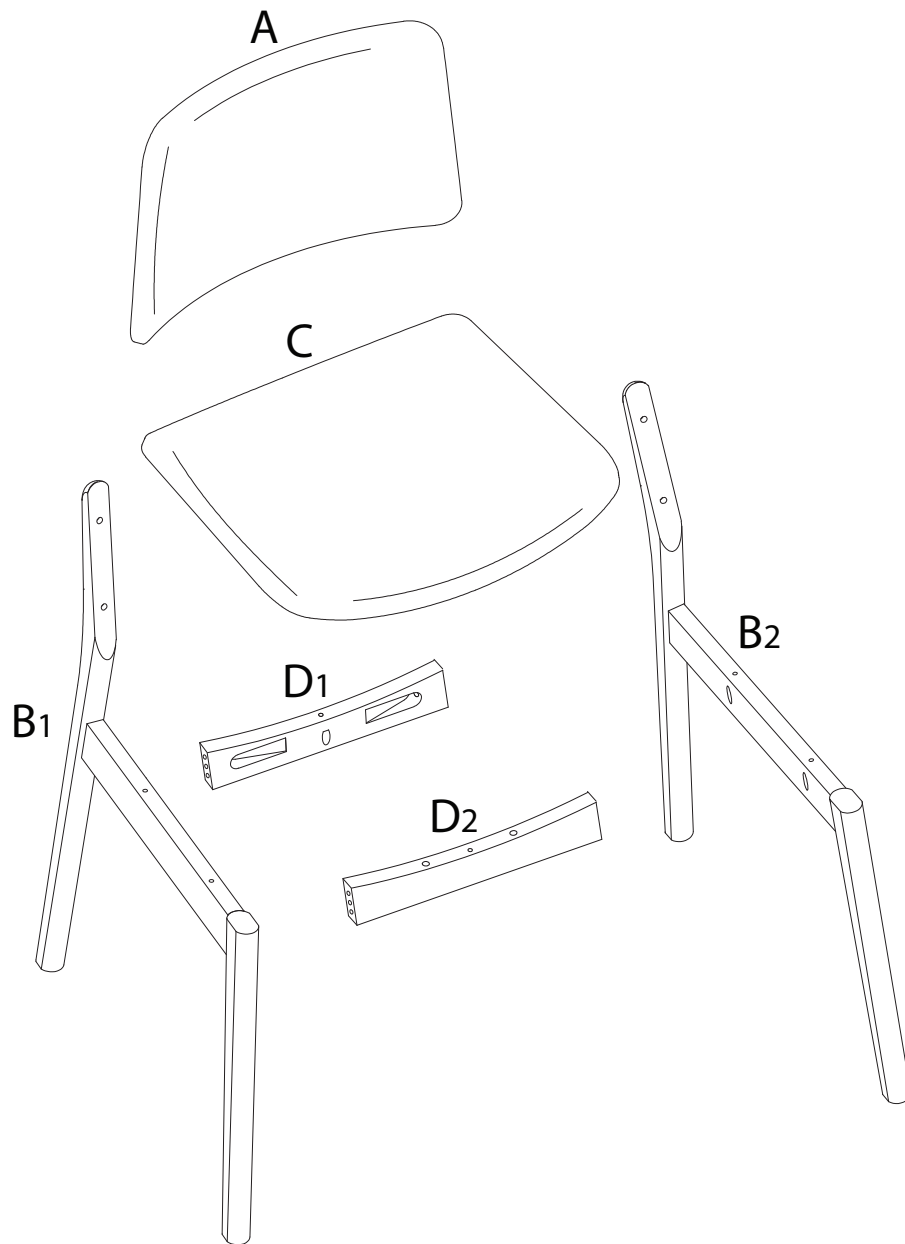


BLANE



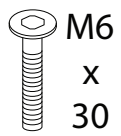


		30'
		2



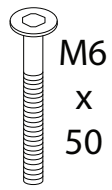
A	B ₁	B ₂	C	D ₁	D ₂
x 1	x 1	x 1	x 1	x 1	x 1

1



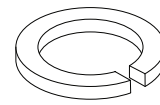
x 4

2



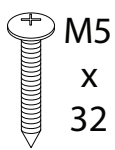
x 4

3



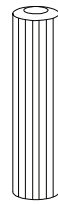
x 8

4



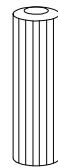
x 6

5



x 8

6



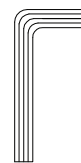
x 2

7



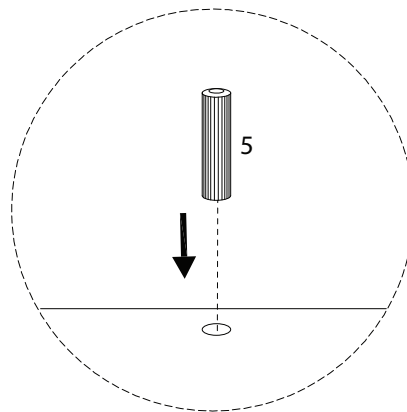
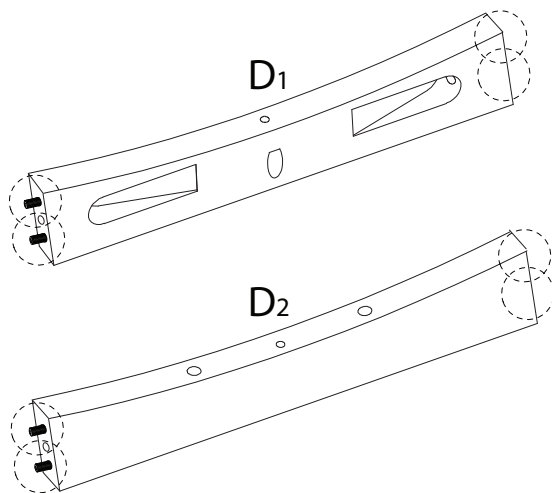
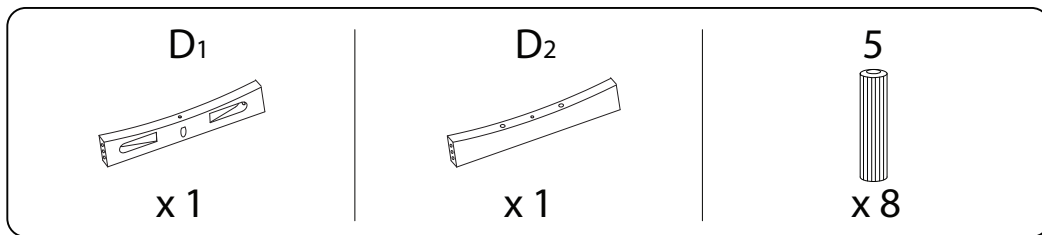
x 4

8

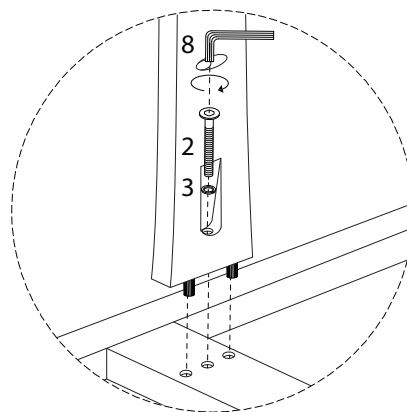
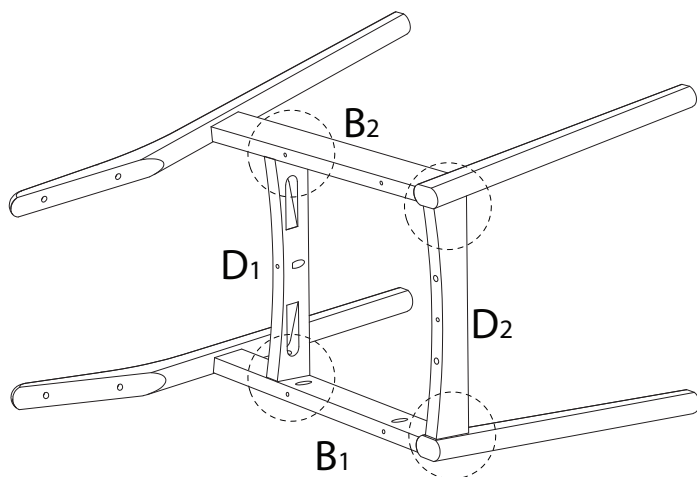
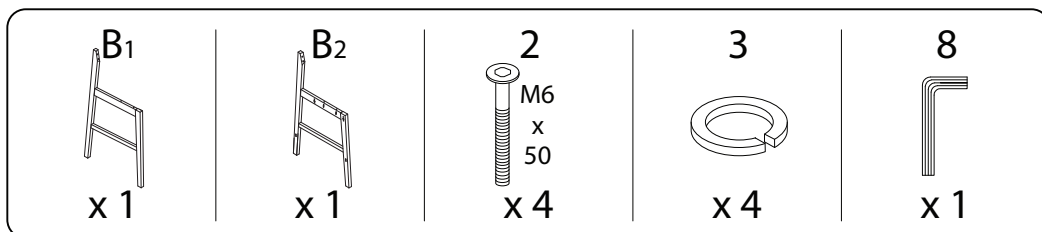


x 1

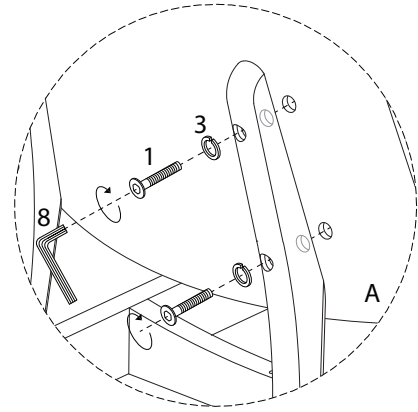
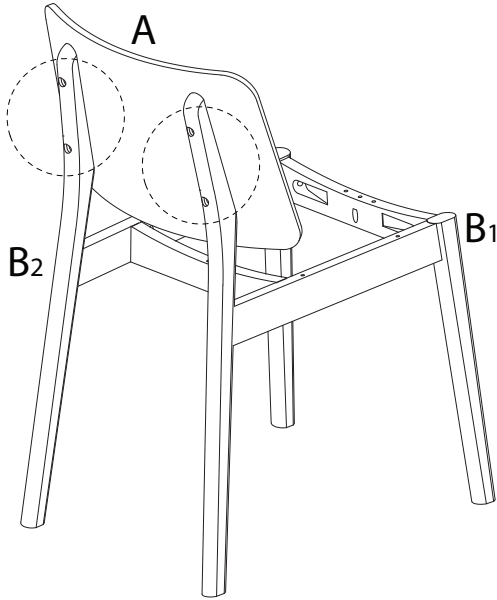
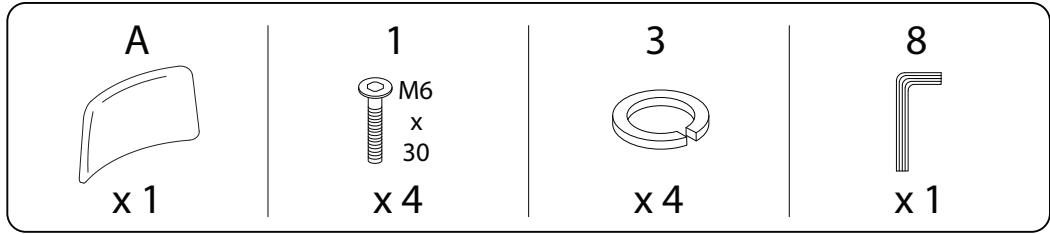
1



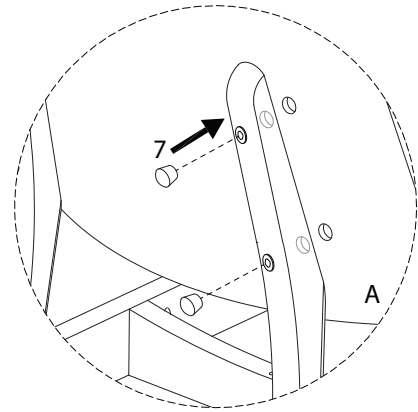
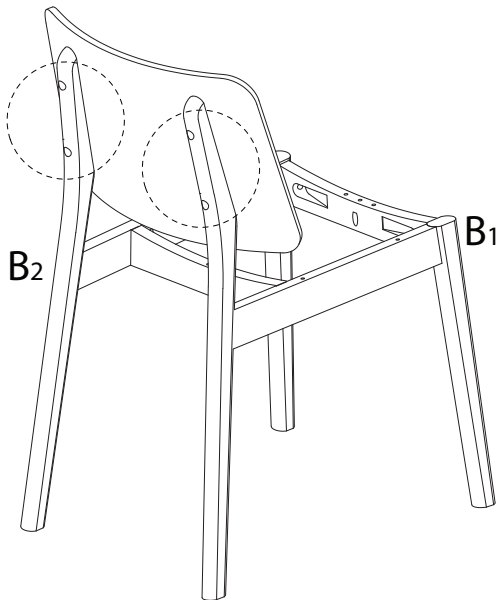
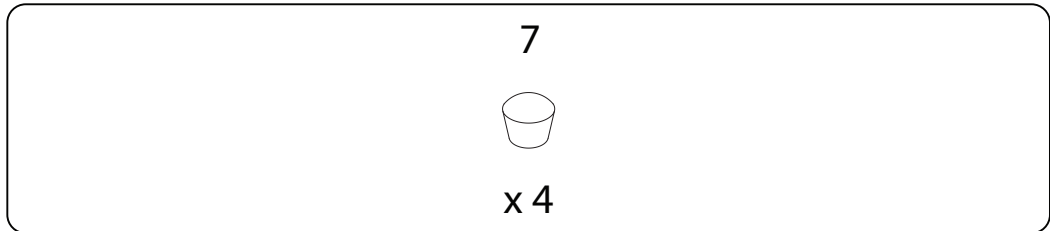
2



3



4

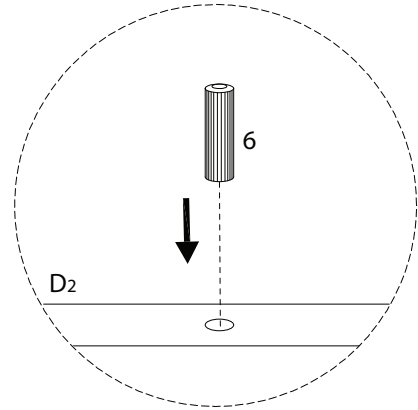
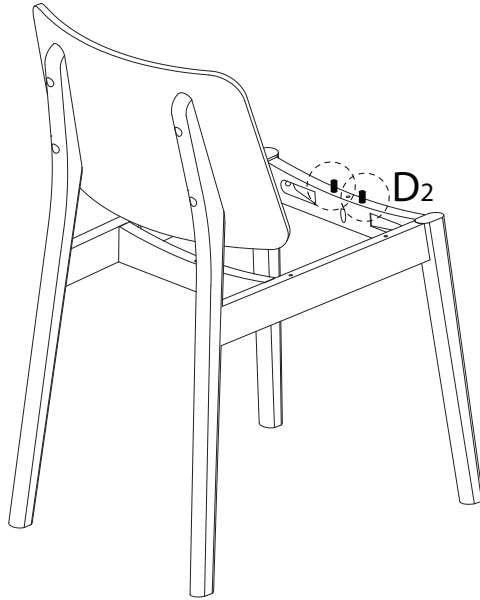


5

6

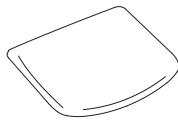


x 2



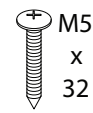
6

C



x 1

4



x 6

