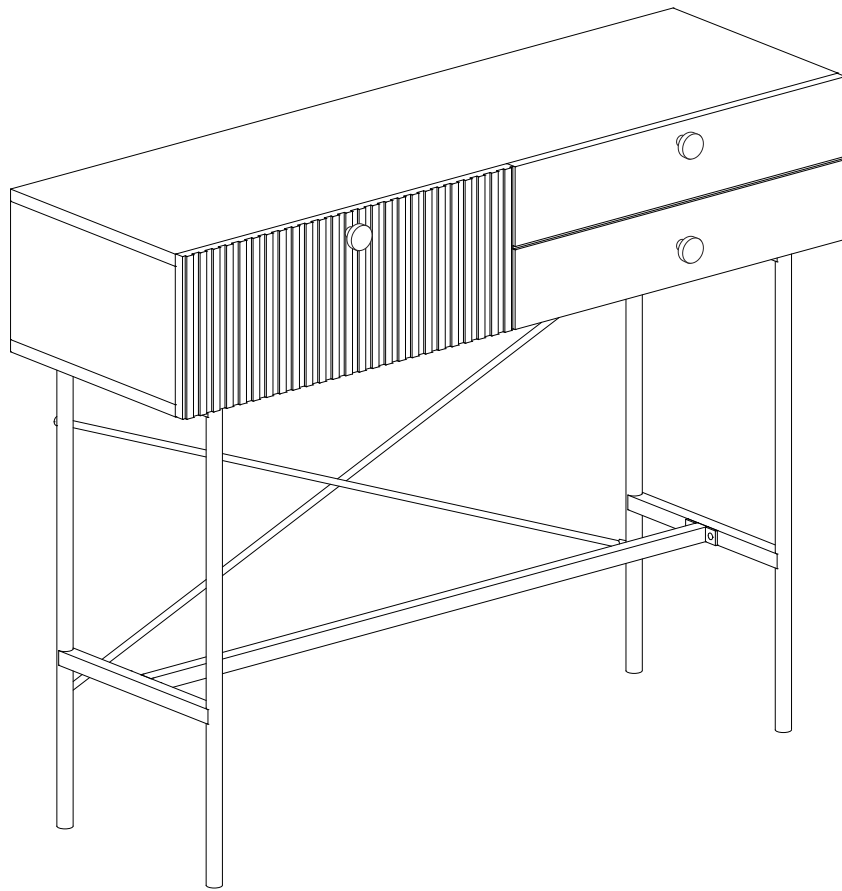


COVENTRY



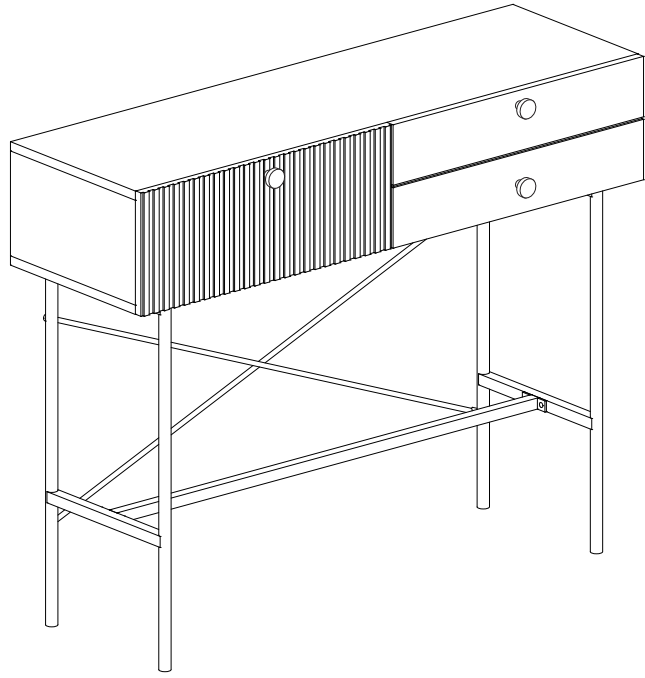
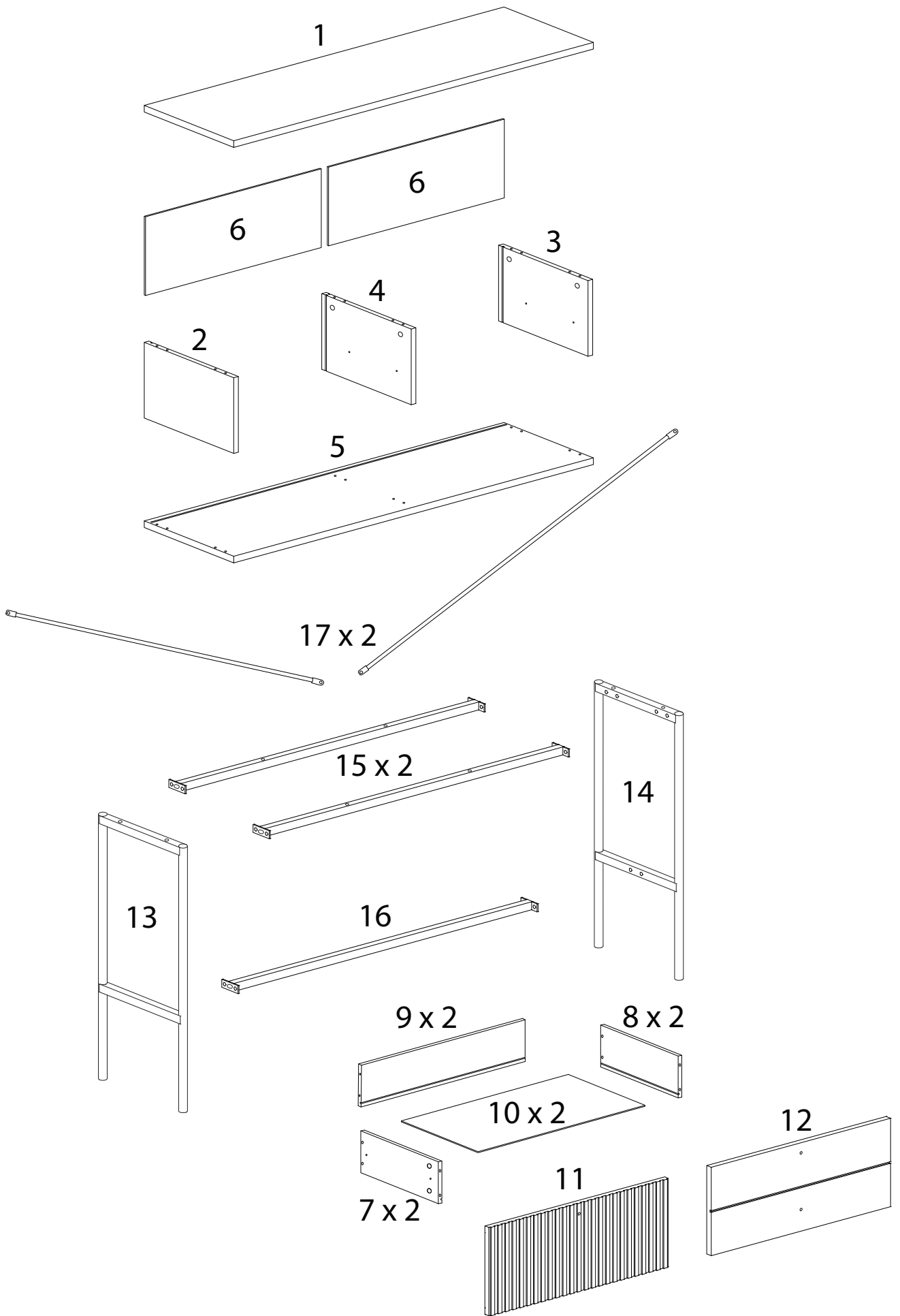
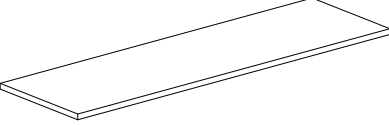
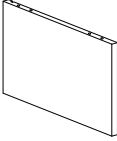
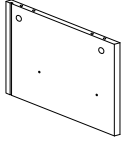
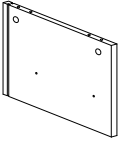
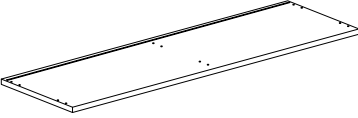
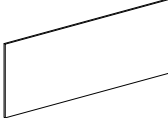
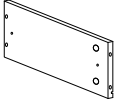
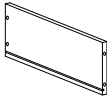
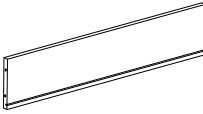

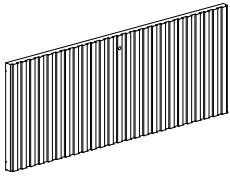
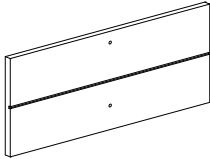
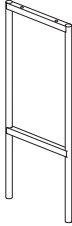
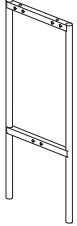





Diagram illustrating assembly steps and safety warnings:

- Step 1:** Requires a screwdriver and a power drill. Includes a warning triangle with an exclamation mark.
- Step 2:** Shows a rectangular panel being attached to a base. Includes a warning triangle with an exclamation mark.
- Time:** A clock icon indicates a 60-minute assembly time.
- Personnel:** An icon of a person indicates that 2 people are required for assembly.



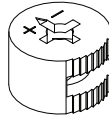
<p>1</p>  <p>x 1</p>	<p>2</p>  <p>x 1</p>	<p>3</p>  <p>x 1</p>	
<p>4</p>  <p>x 1</p>	<p>5</p>  <p>x 1</p>	<p>6</p>  <p>x 2</p>	
<p>7</p>  <p>x 2</p>	<p>8</p>  <p>x 2</p>	<p>9</p>  <p>x 2</p>	
<p>10</p>  <p>x 2</p>	<p>11</p>  <p>x 1</p>	<p>12</p>  <p>x 1</p>	<p>13</p>  <p>x 1</p>
<p>14</p>  <p>x 1</p>	<p>15</p>  <p>x 2</p>	<p>16</p>  <p>x 1</p>	<p>17</p>  <p>x 2</p>

A



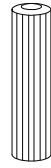
x 14

B



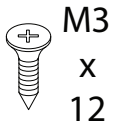
x 14

C



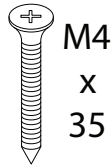
x 12

D



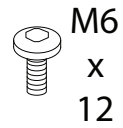
x 16

E



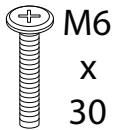
x 14

F



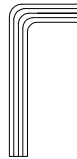
x 16

G



x 8

H



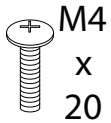
x 1

I1



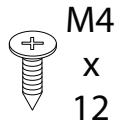
x 3

I2



x 3

J1



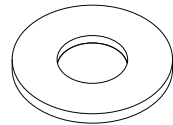
x 2

J2



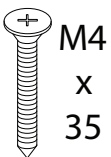
x 2

J3



x 2

J4



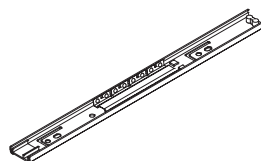
x 2

J5



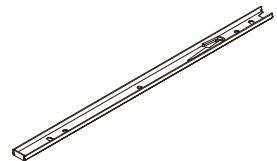
x 2

K



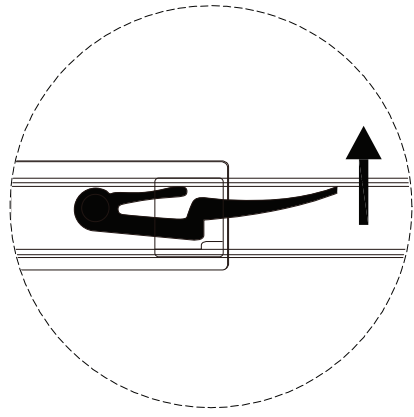
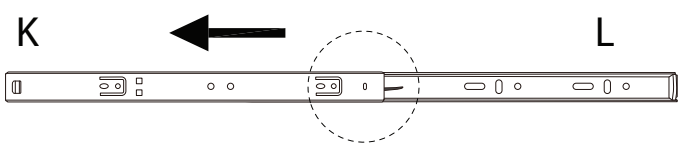
x 4

L

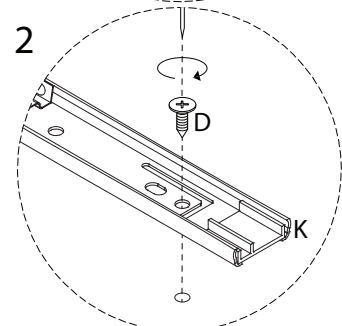
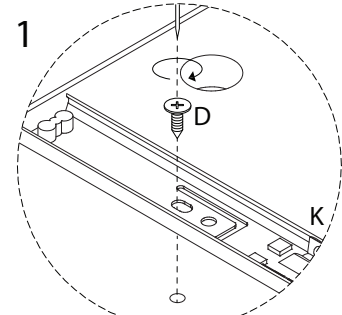
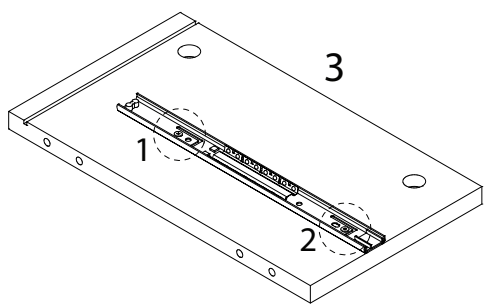
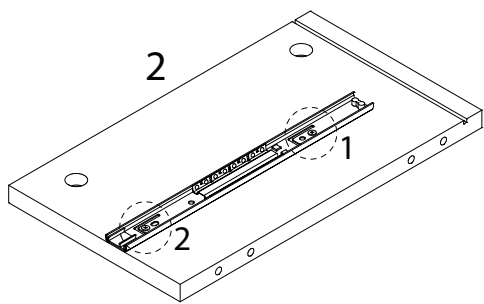
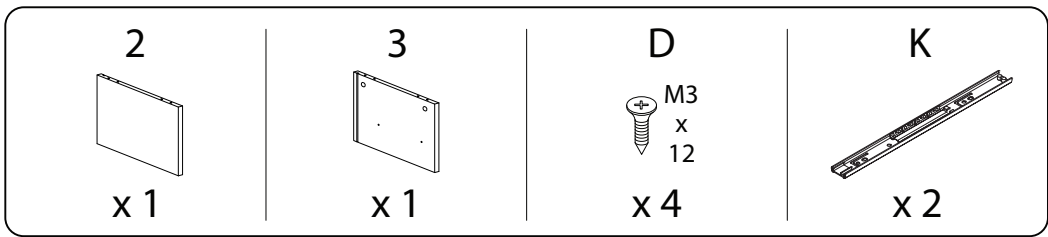


x 4

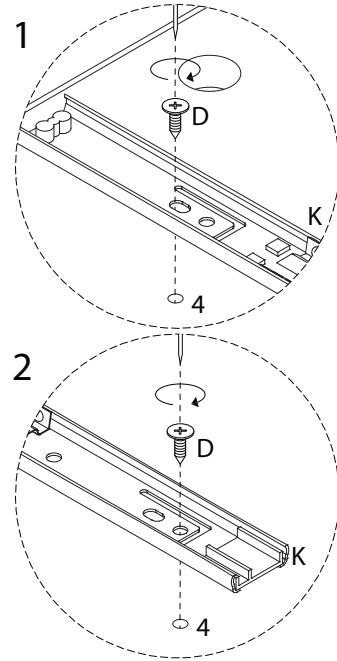
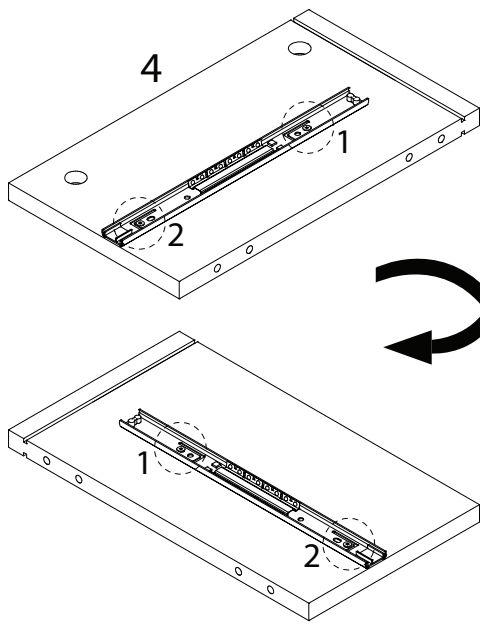
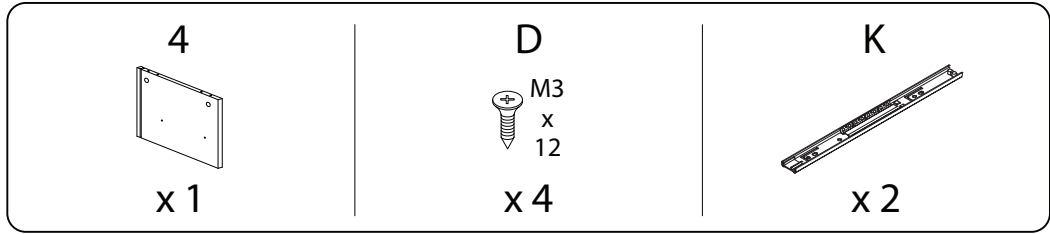
!



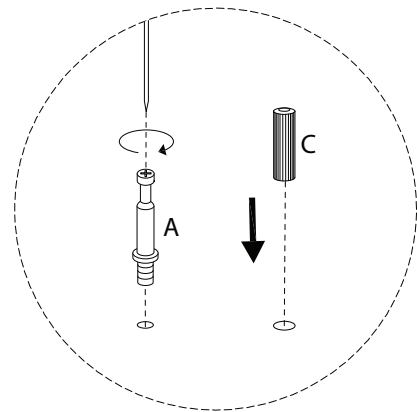
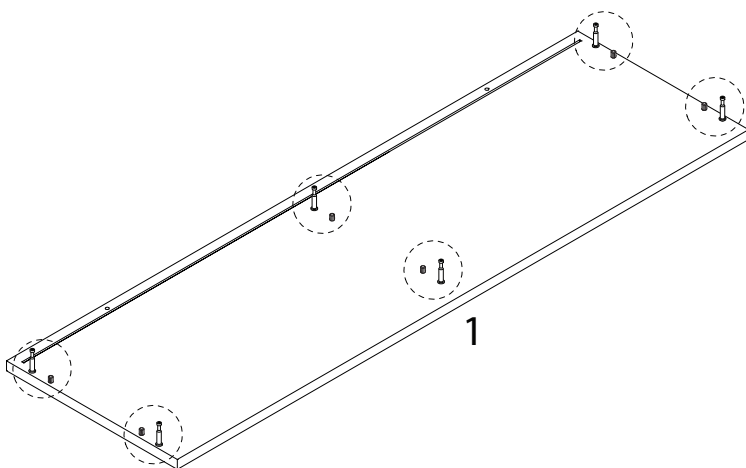
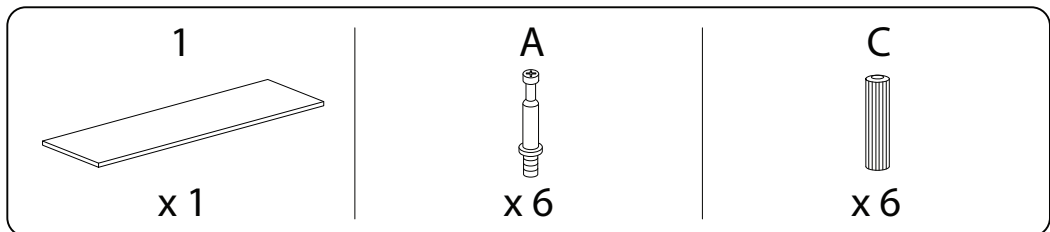
1



2



3

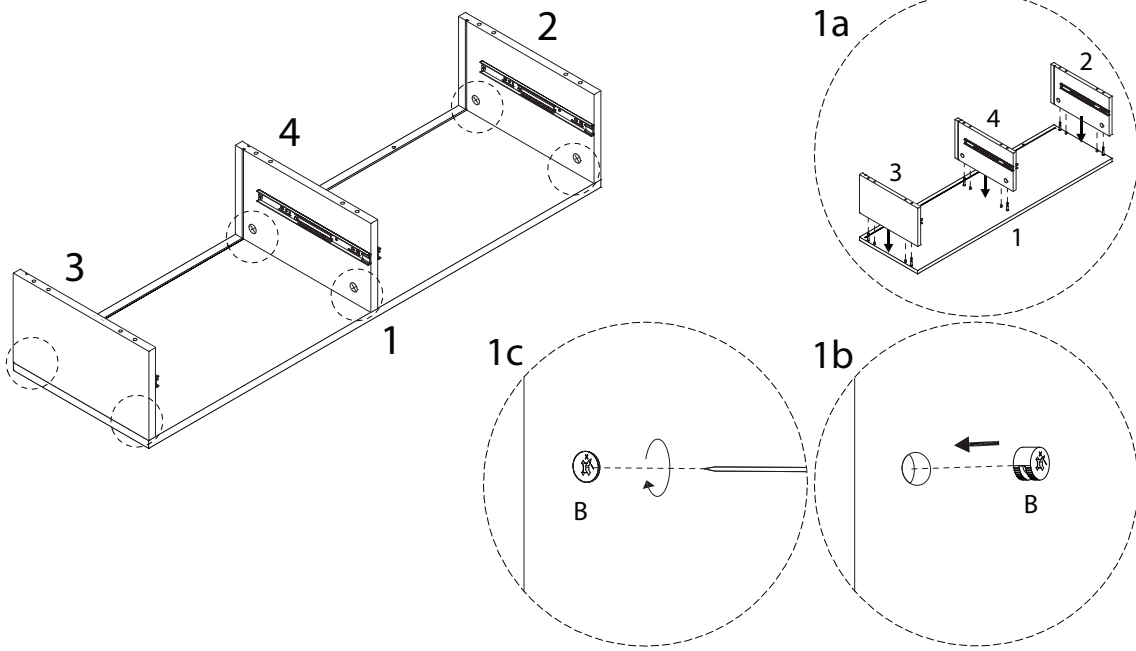


4

B



x6

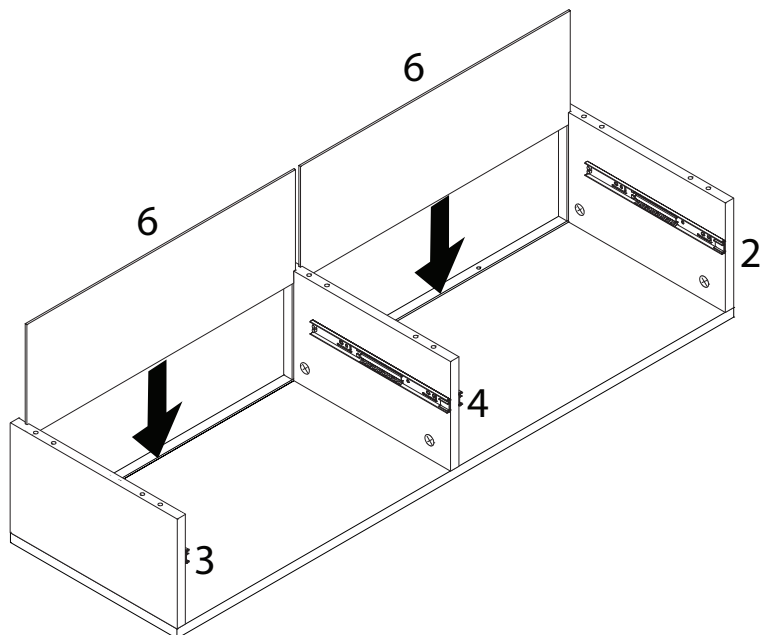


5

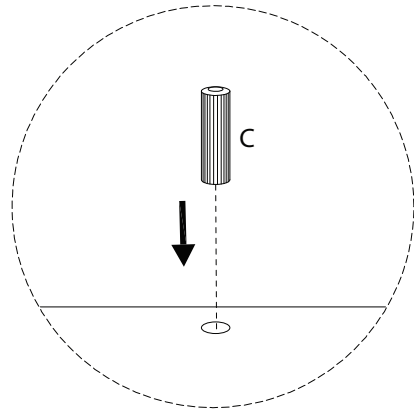
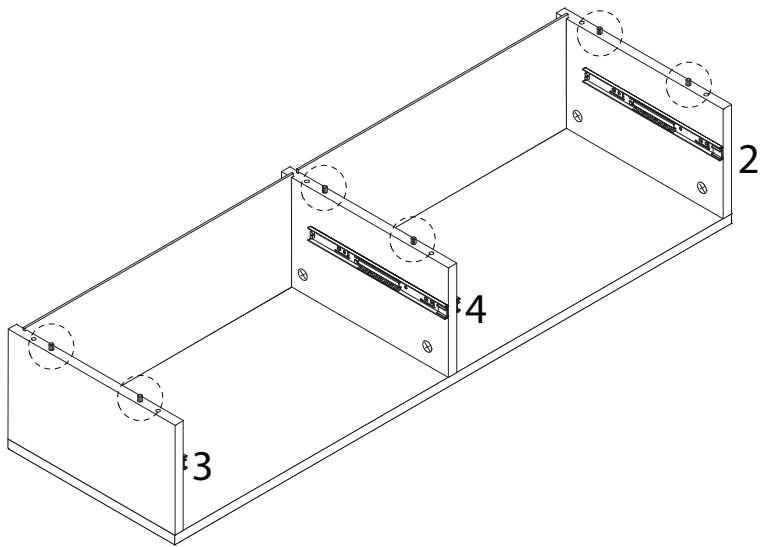
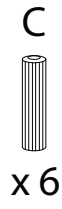
6



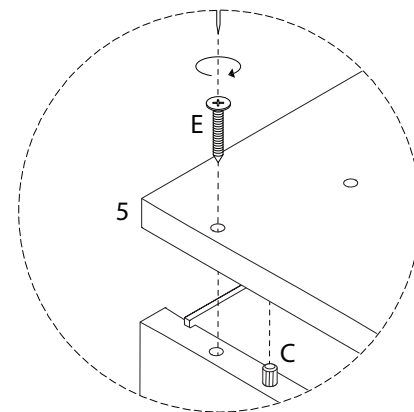
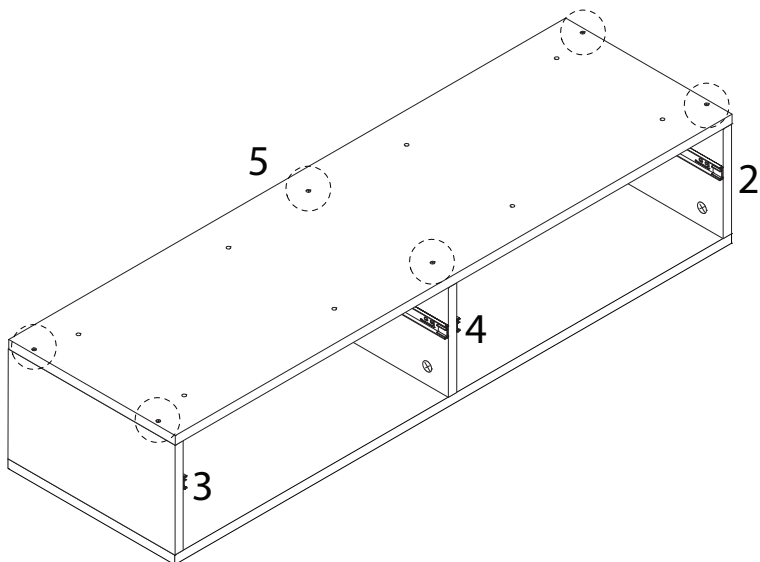
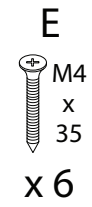
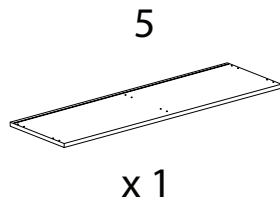
x2



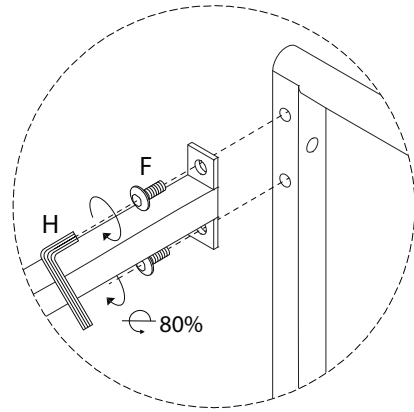
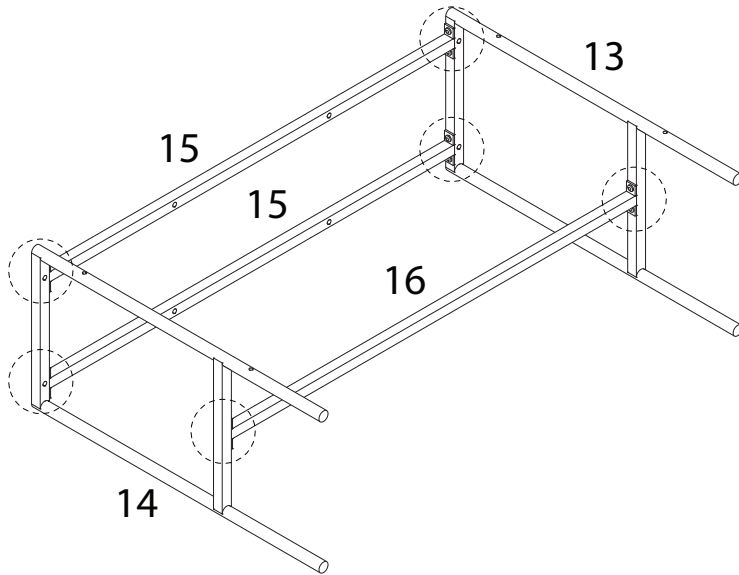
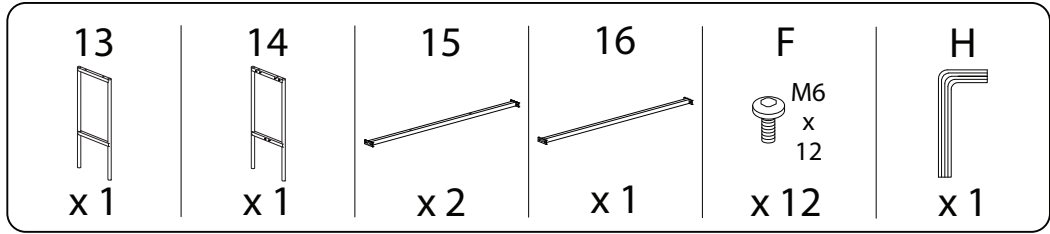
6



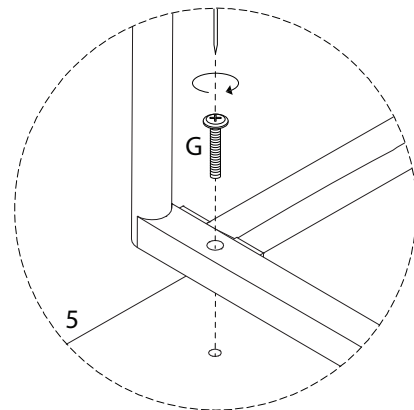
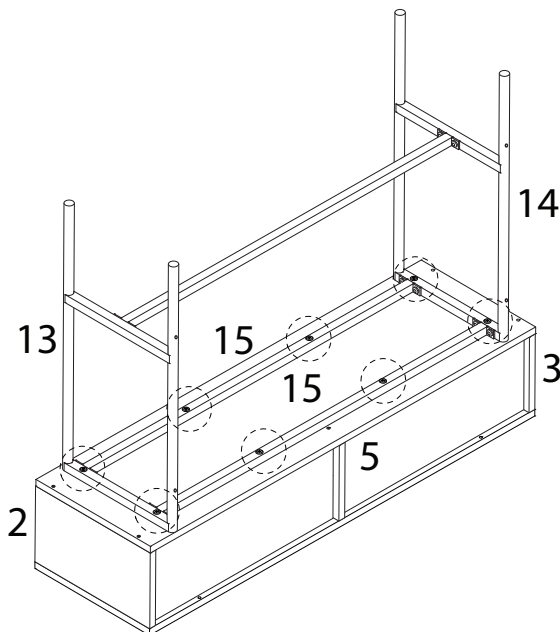
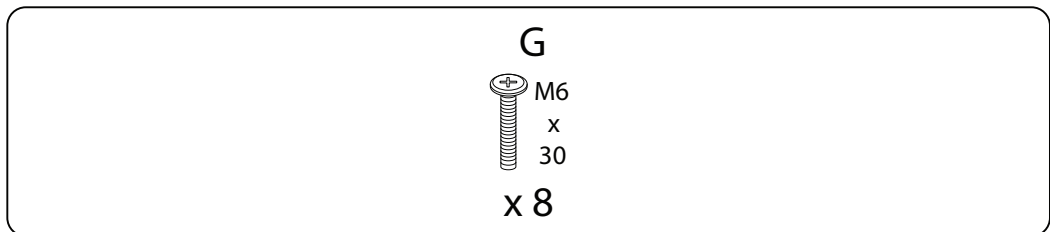
7





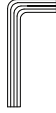
8

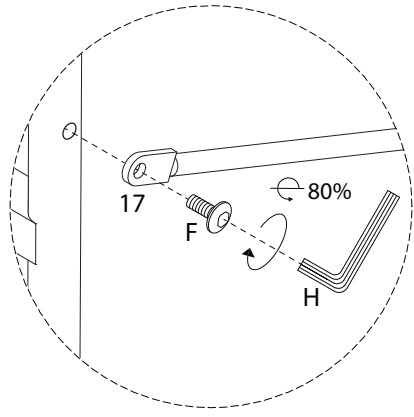
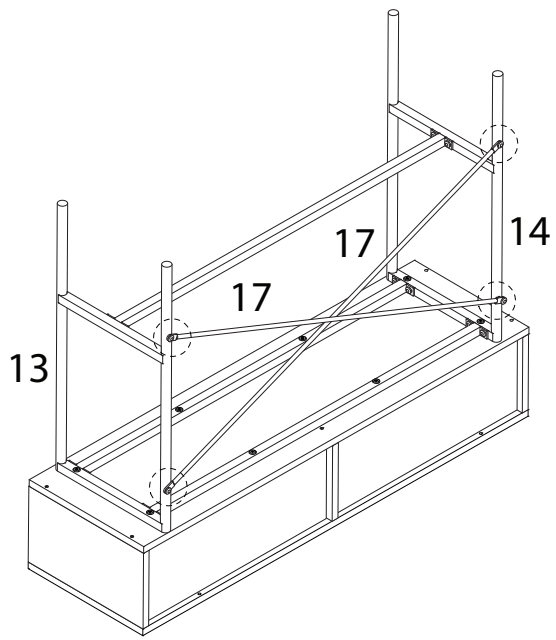


9




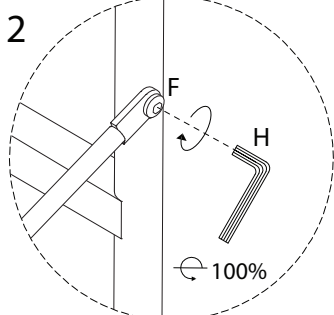
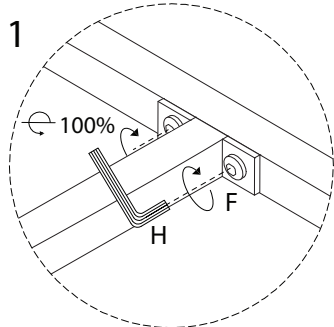
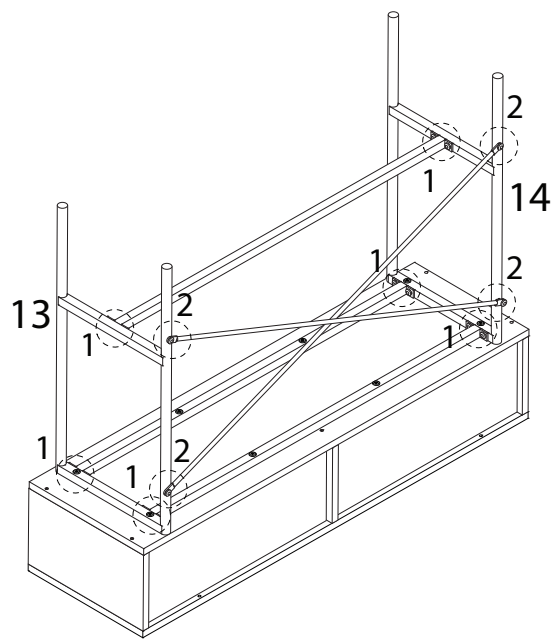
10

17  x 2	F  M6 x 12 x 4	H  x 1
--	--	---

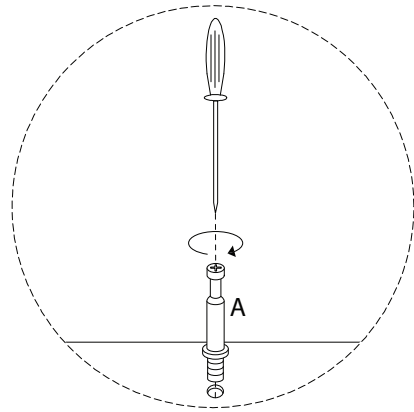
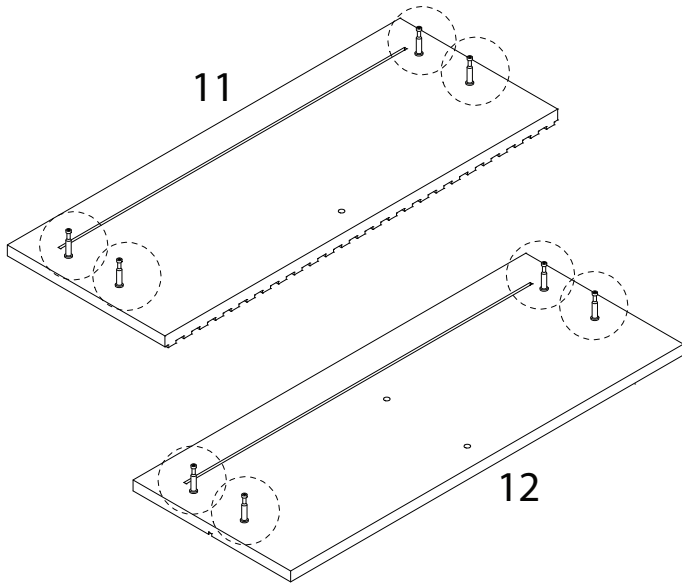
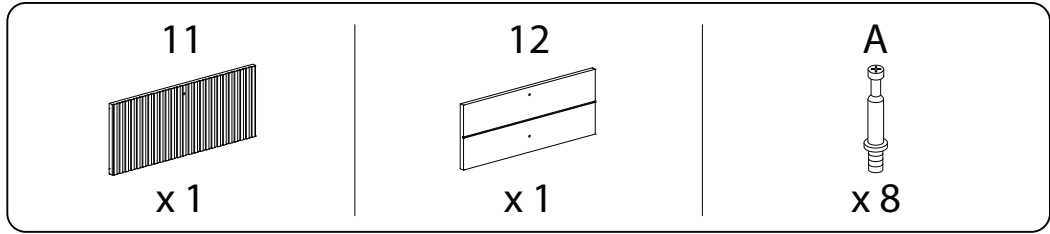


11

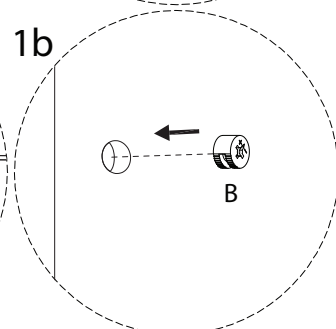
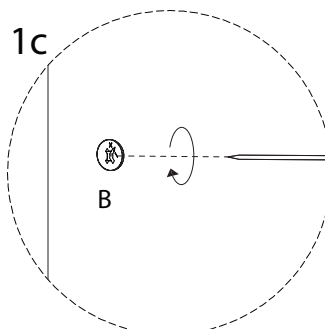
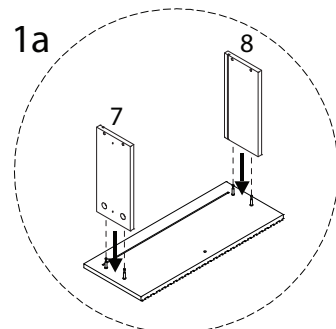
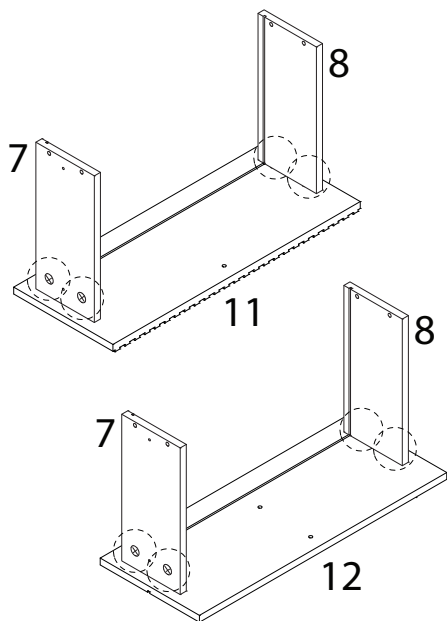
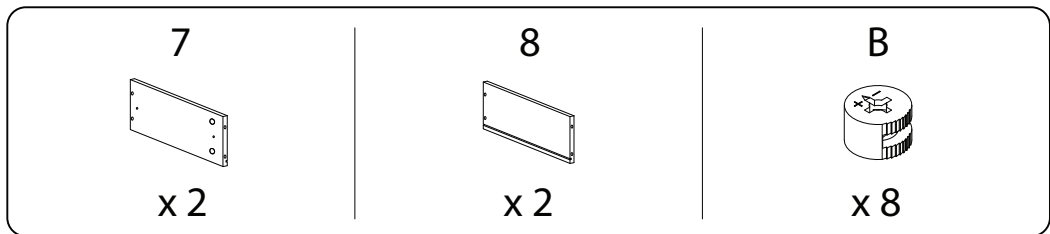
H  x 1



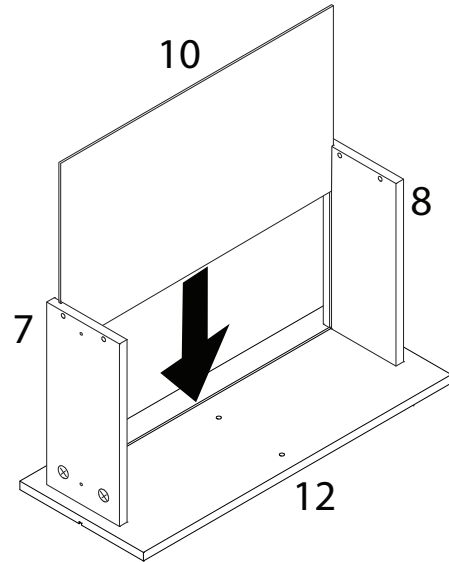
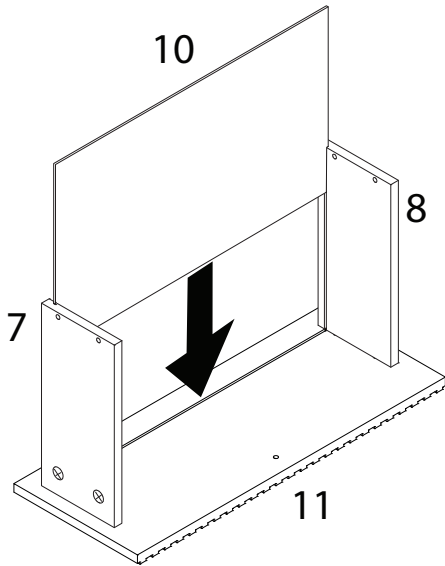
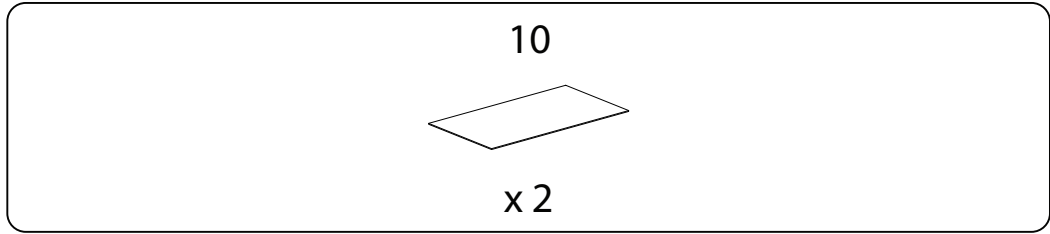
12



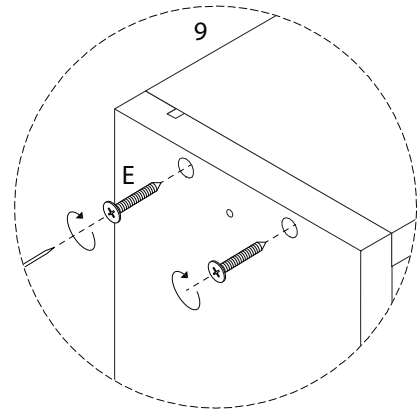
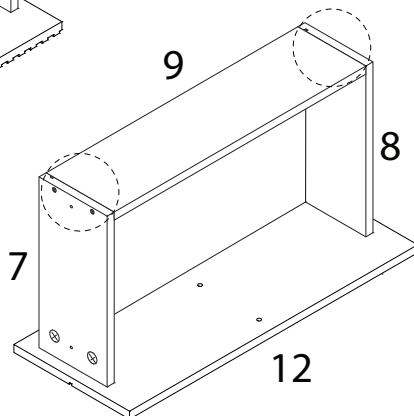
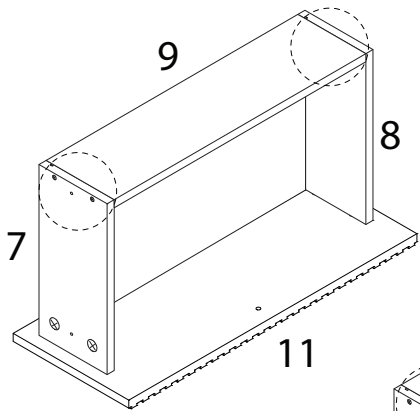
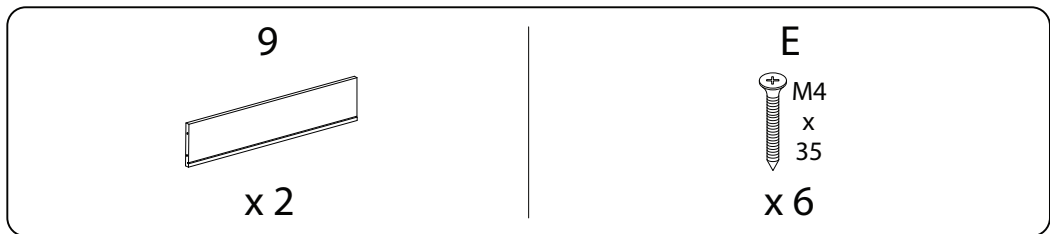
13



14



15



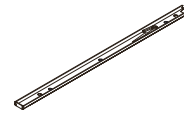
16

D

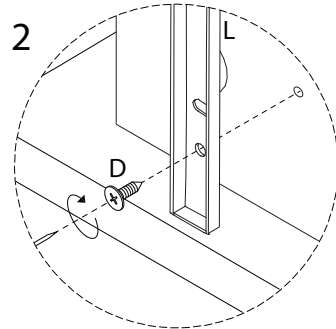
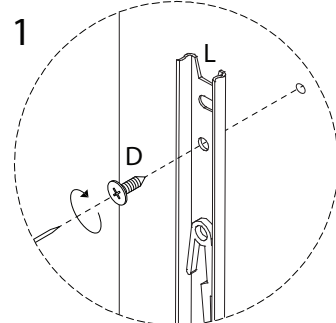
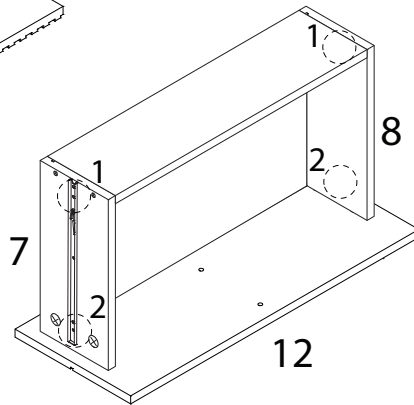
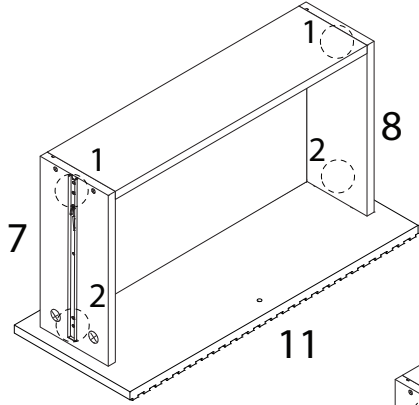


x 8

L



x 4



17

l₁

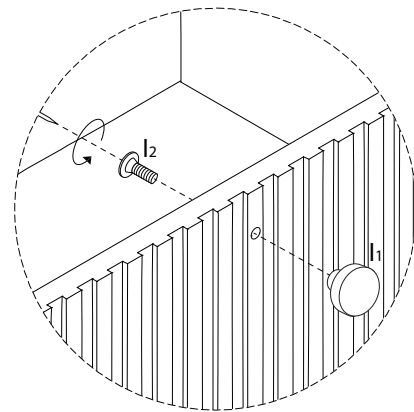
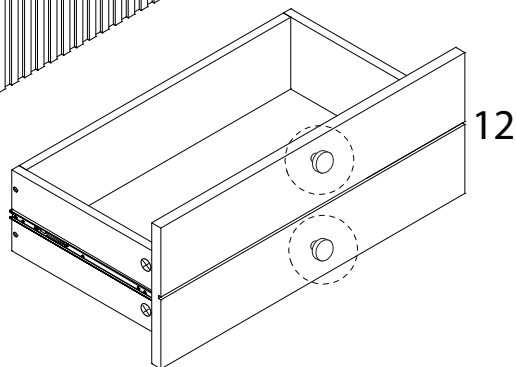
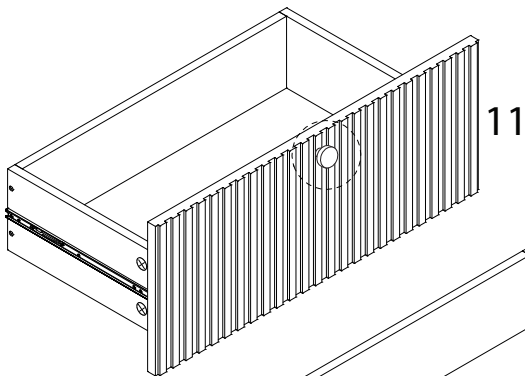


x 3

l₂



x 3



18

J₁



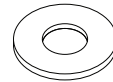
x 2

J₂

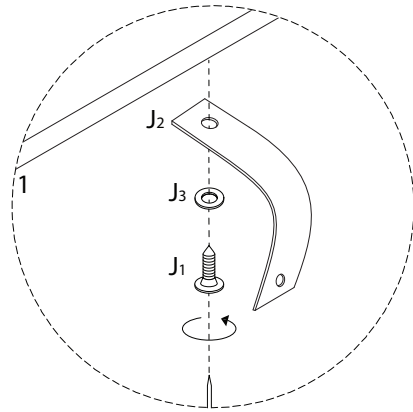
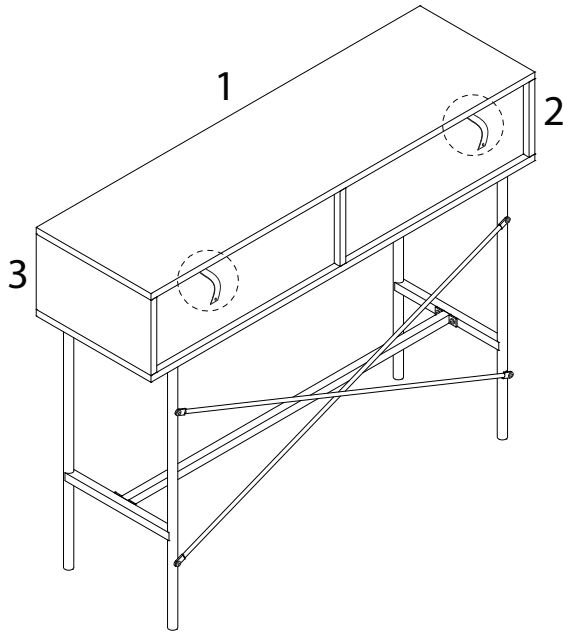


x 2

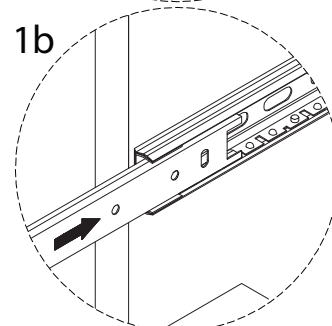
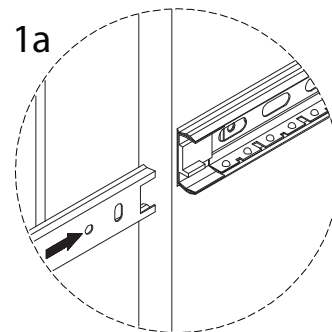
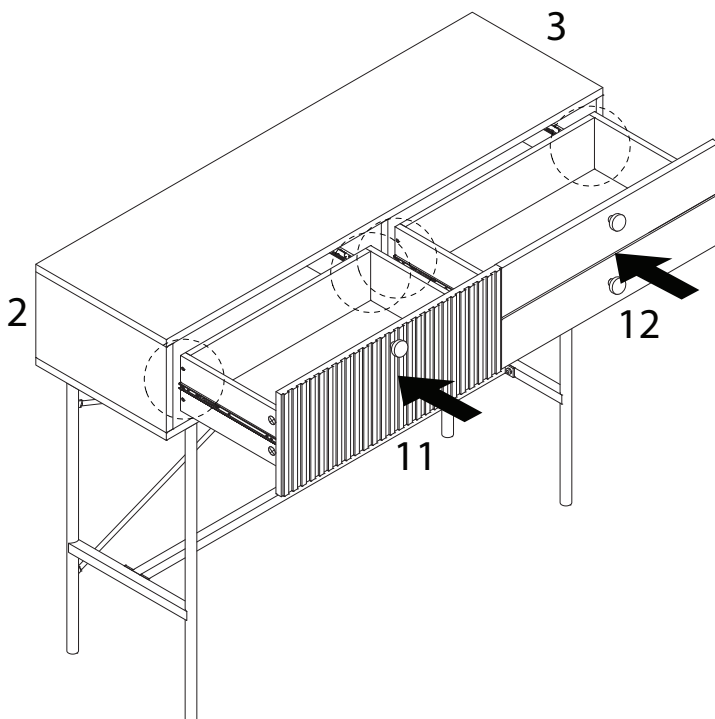
J₃



x 2

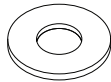


19



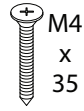
20

J3



x 2

J4



x 2

J5



x 2

