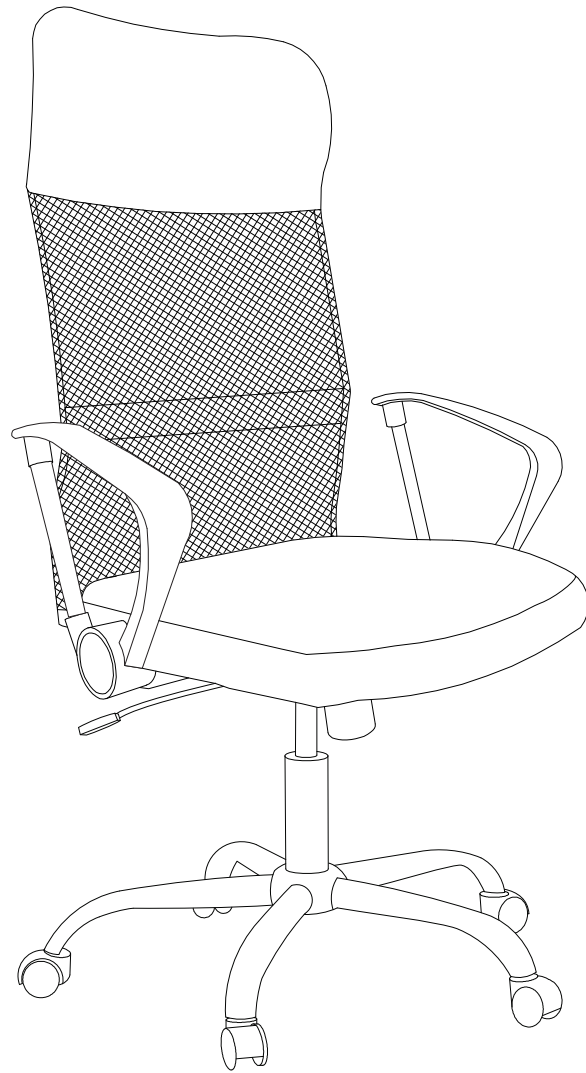
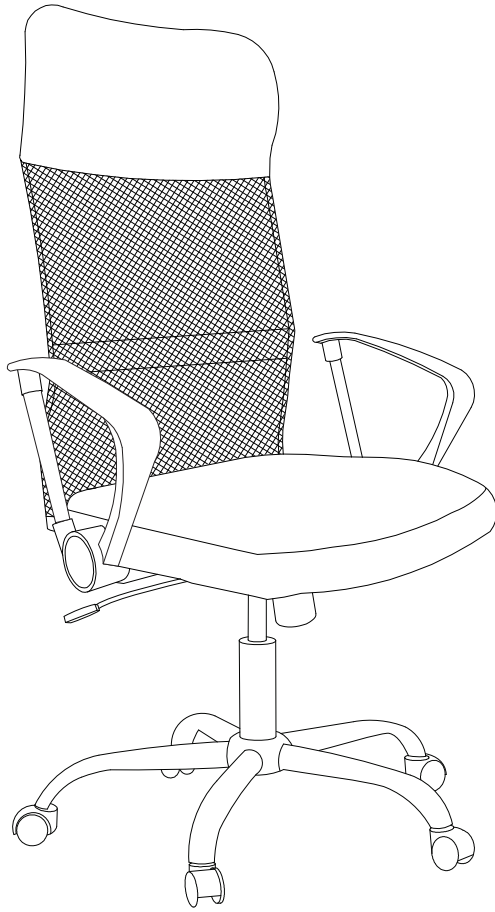
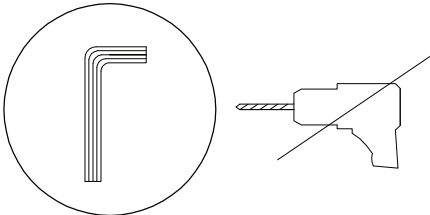

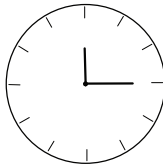
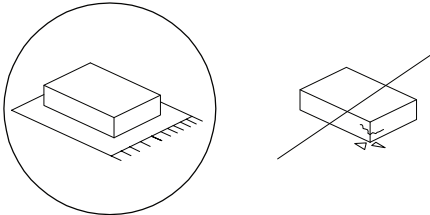


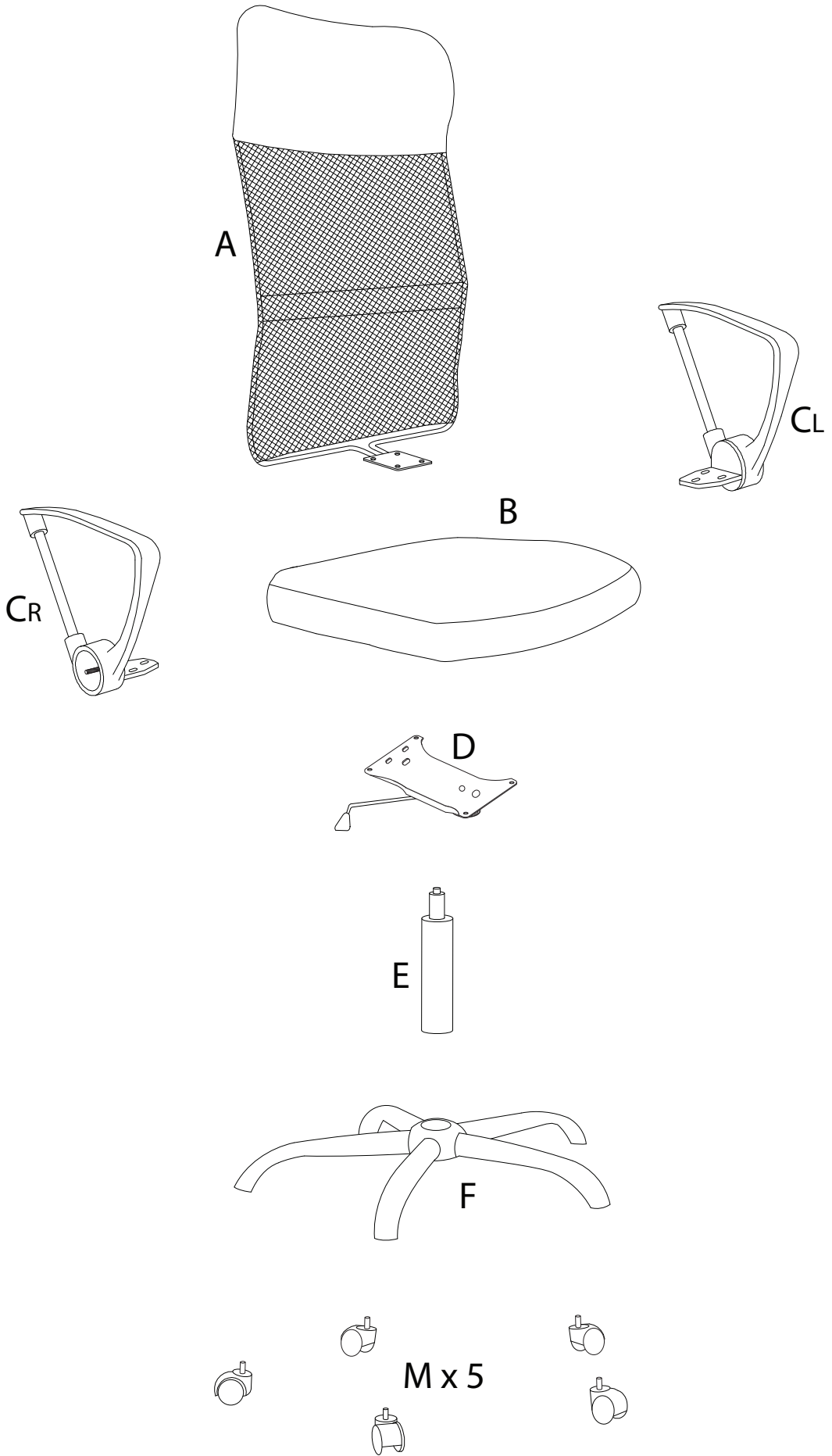


DESIGN





		
		15'
		
		2

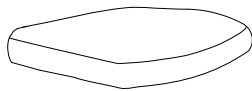


A



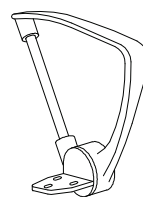
x 1

B



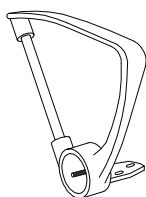
x 1

CL



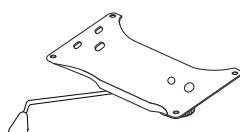
x 1

CR



x 8

D



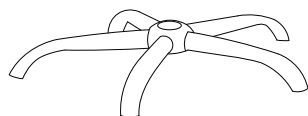
x 1

E



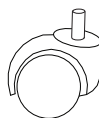
x 1

F



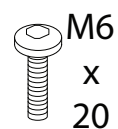
x 1

G



x 5

H



M6
x
20

x 4

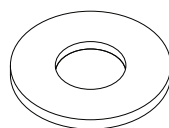
I



M6
x
25

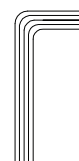
x 10

J



x 6

K



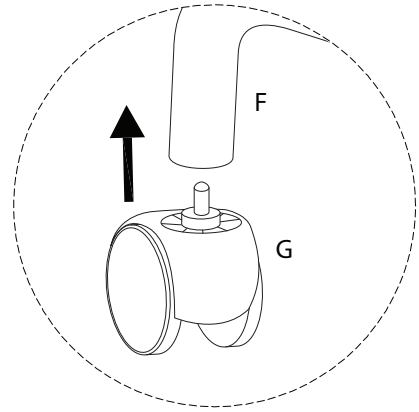
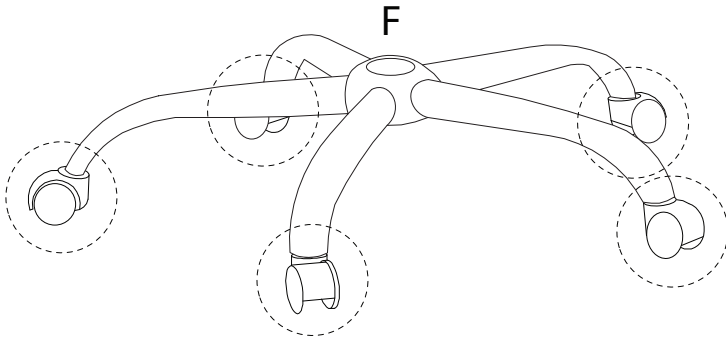
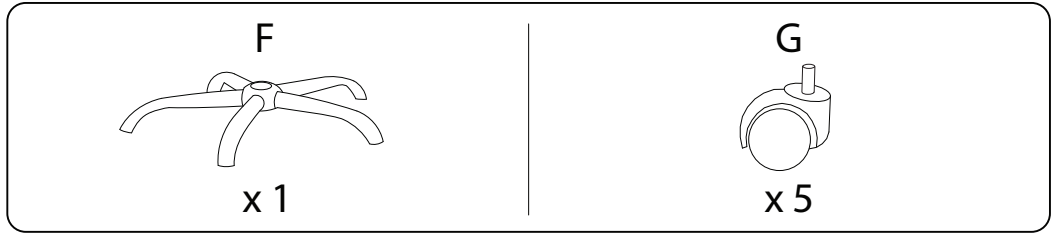
x 1

L

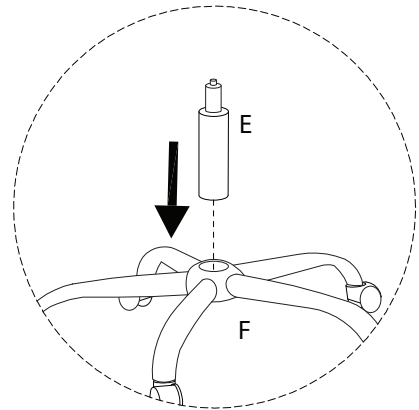
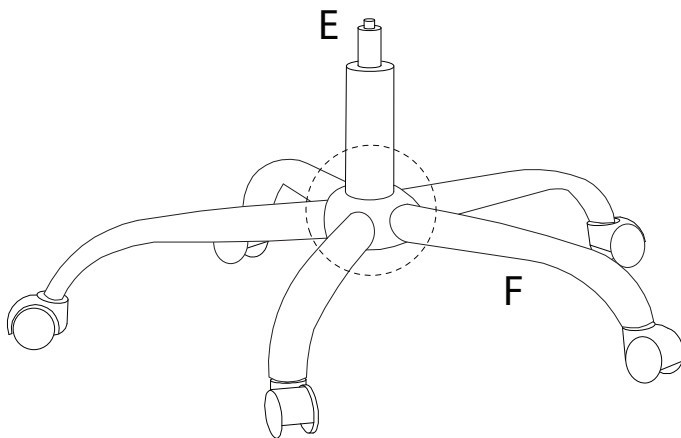
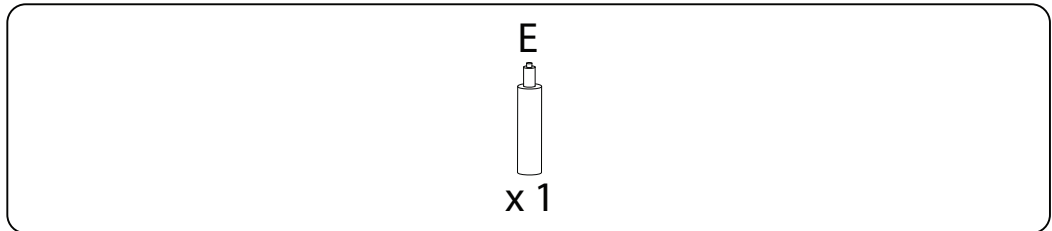


x 2

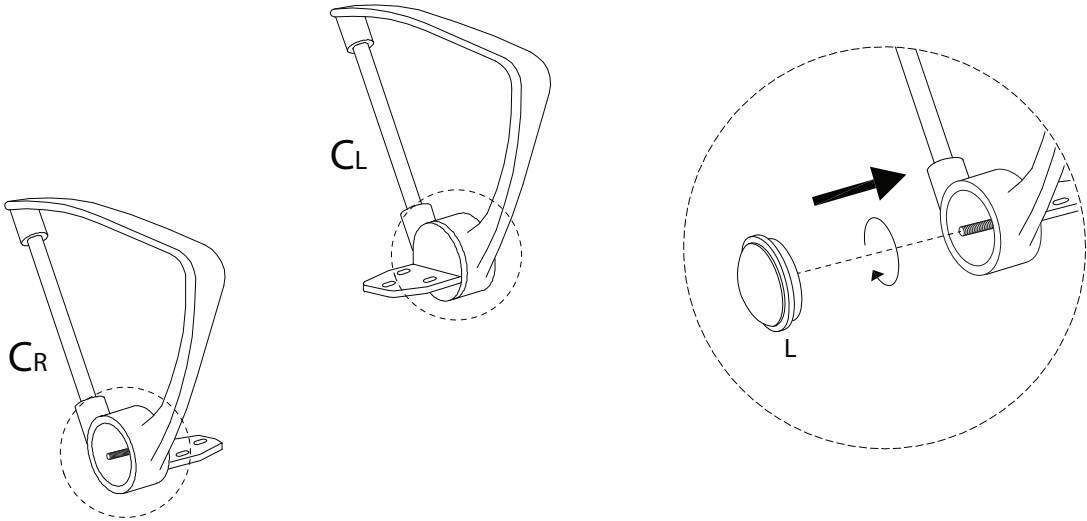
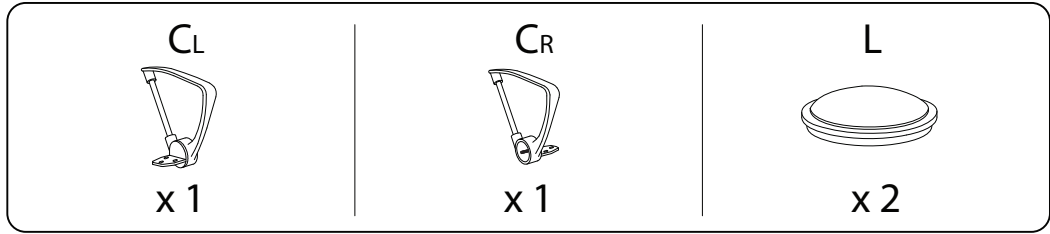
1



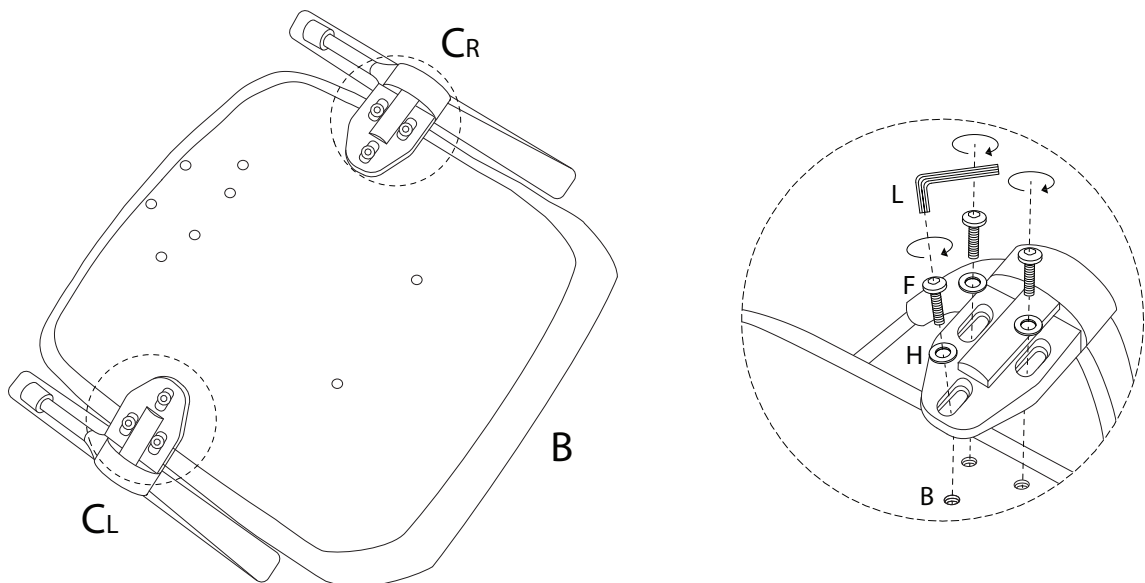
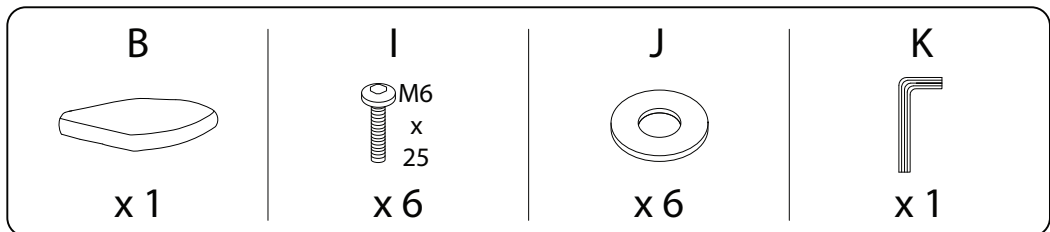
2



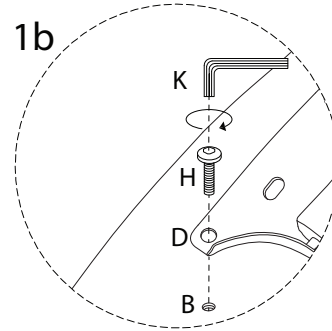
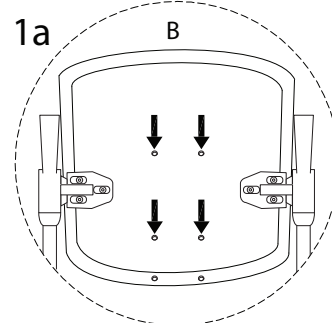
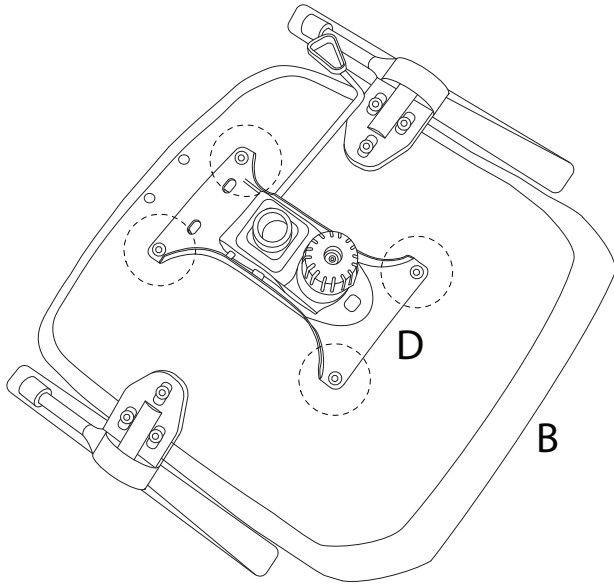
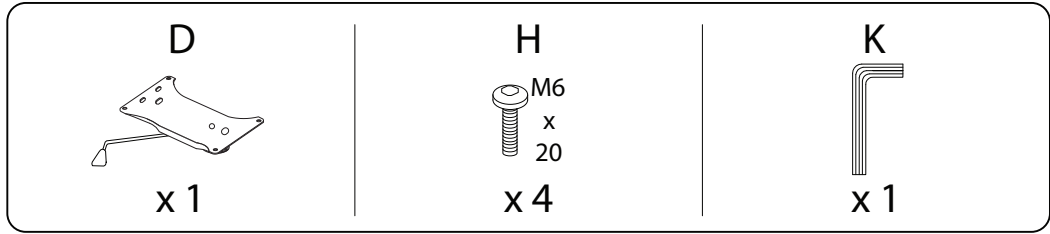
3



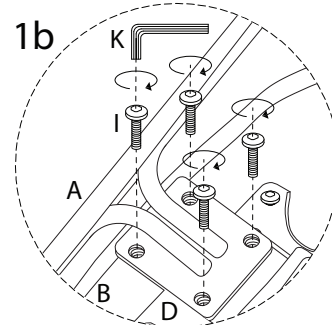
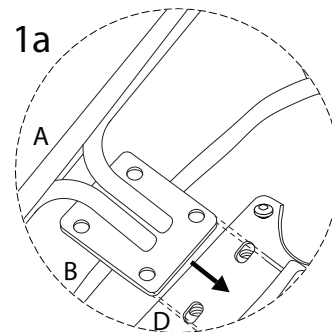
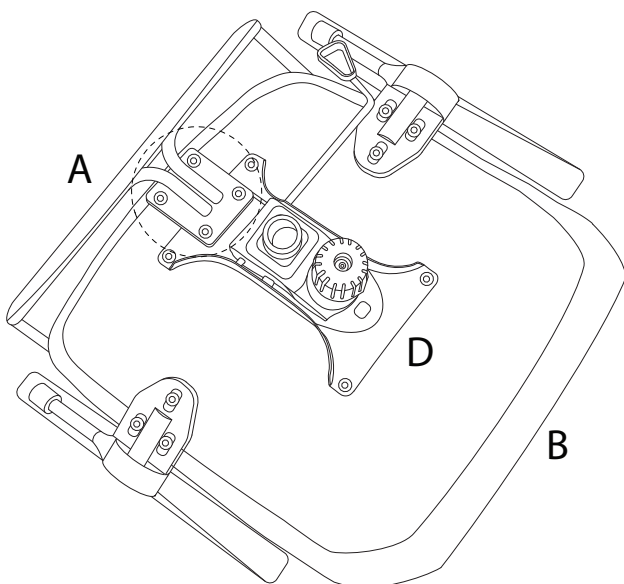
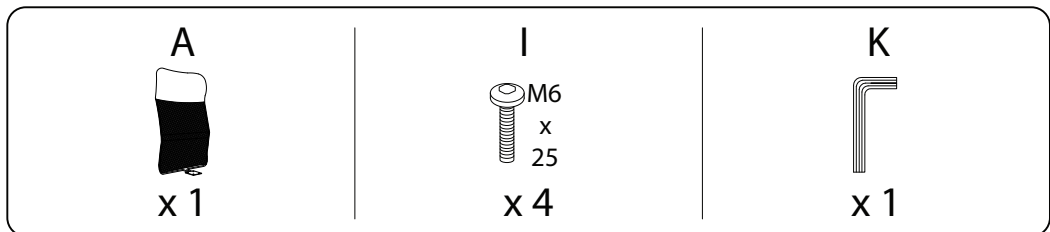
4



5



6



7

