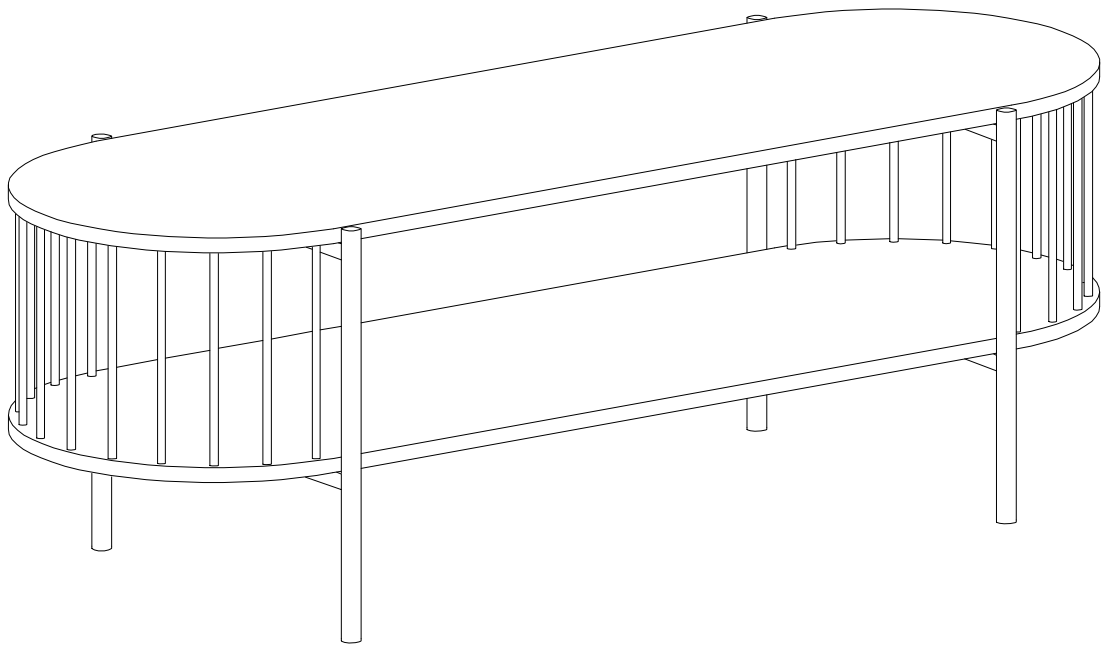
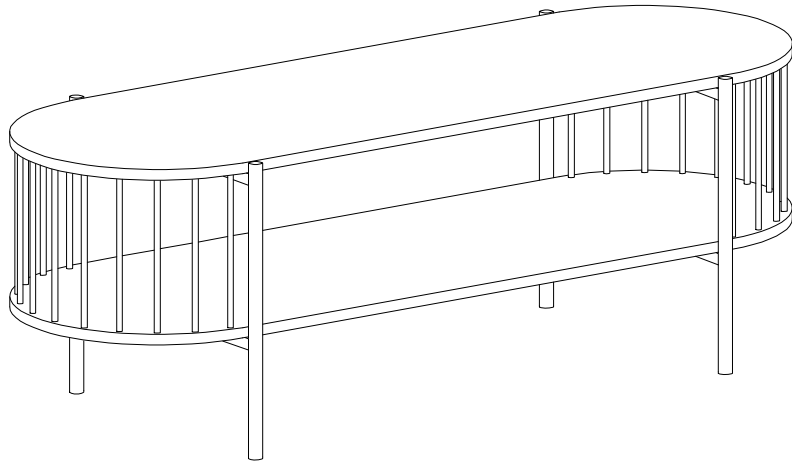


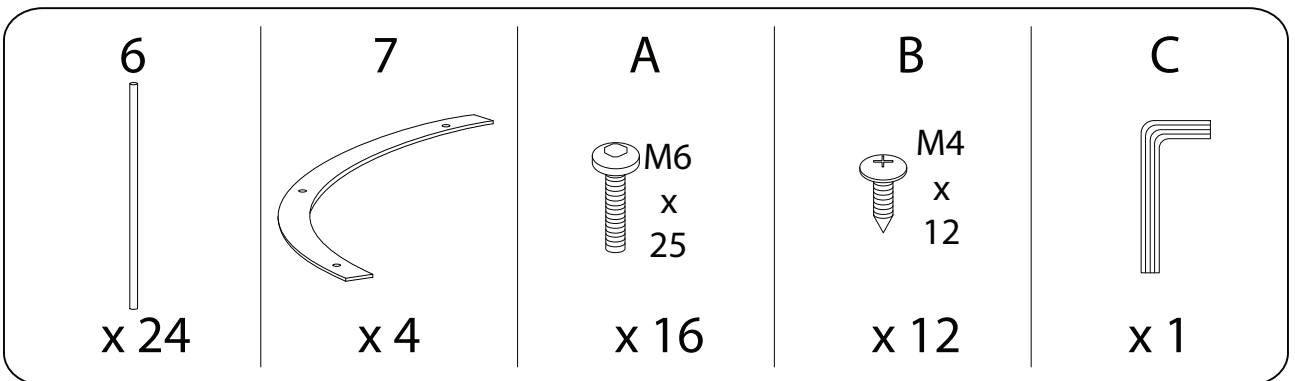
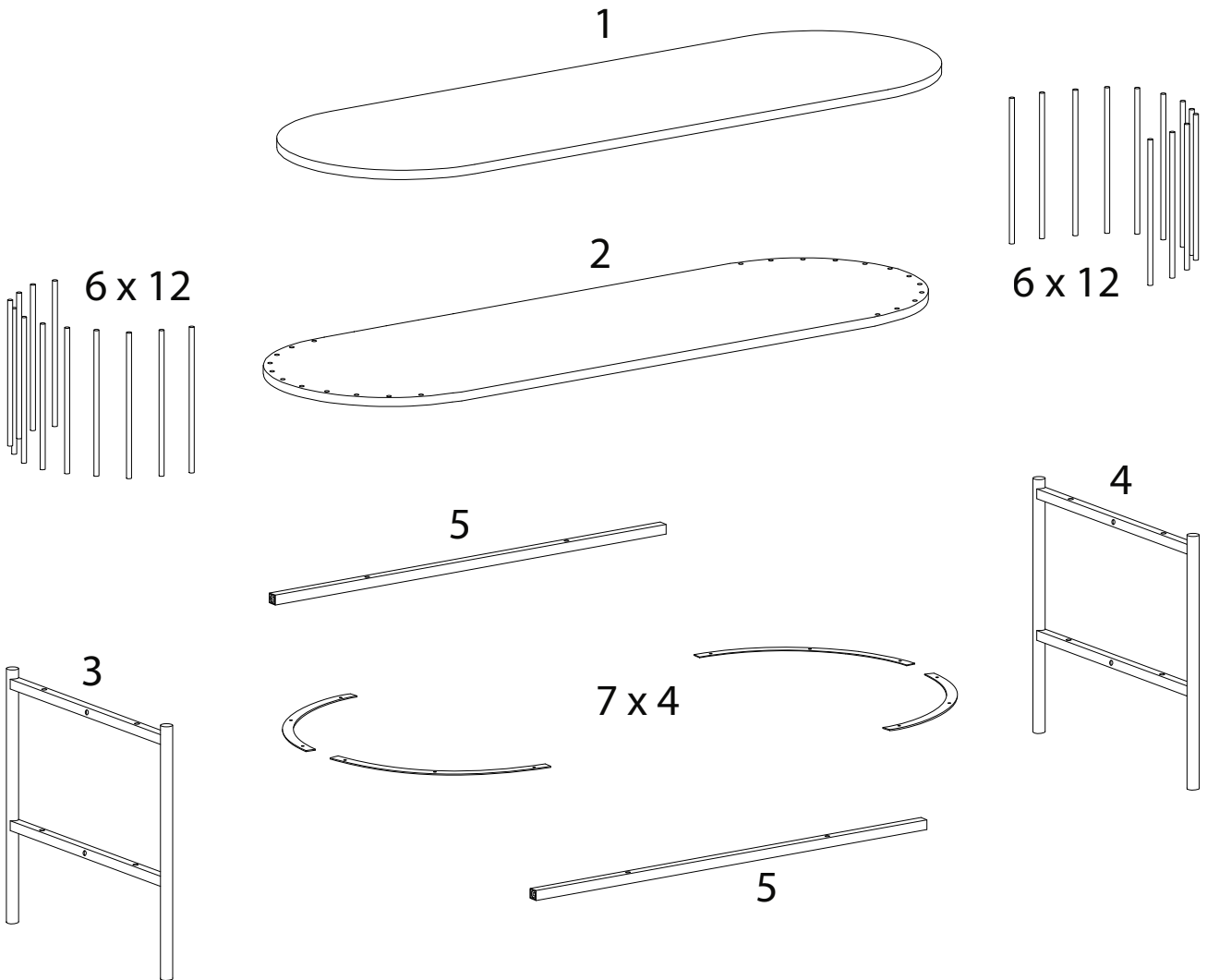
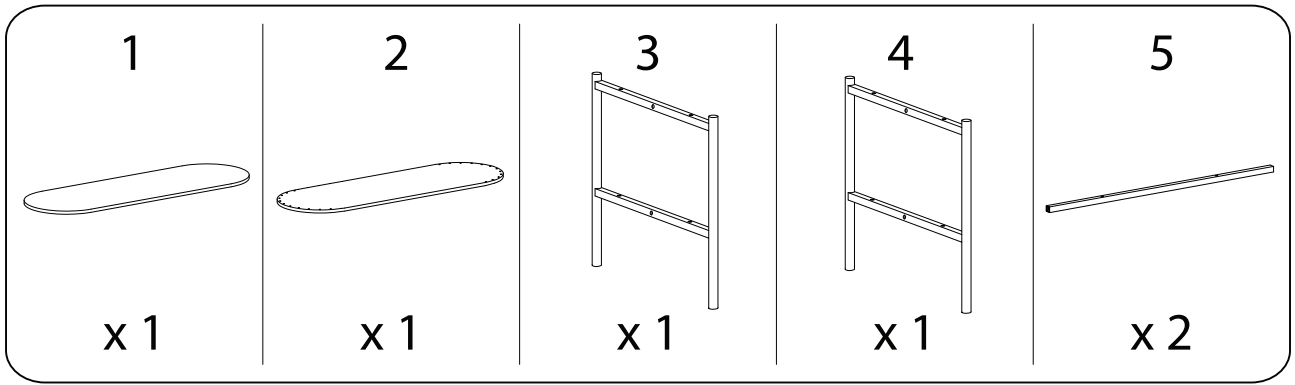
OREANA



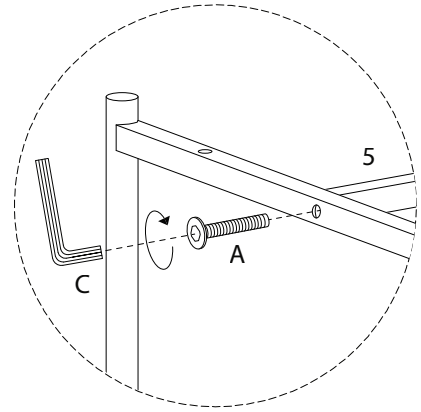
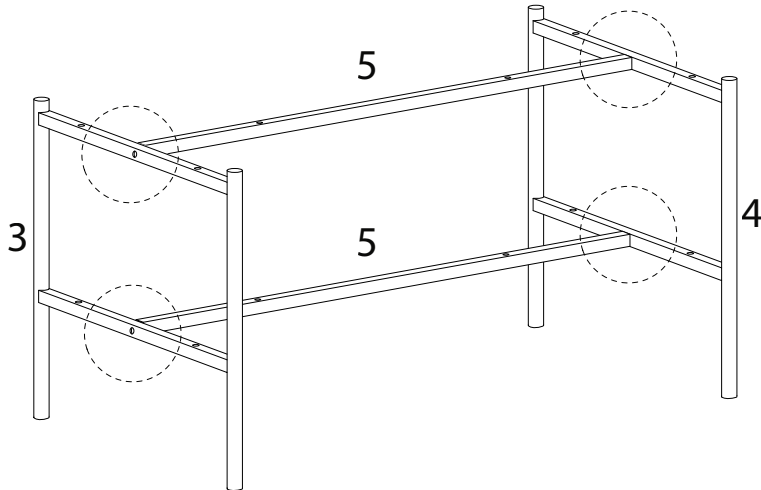
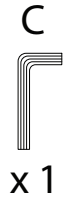
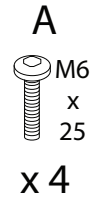
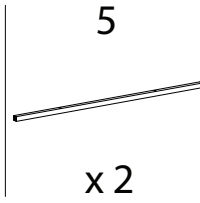
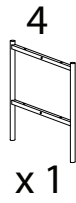
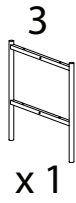


Assembly instructions for step 1/5:

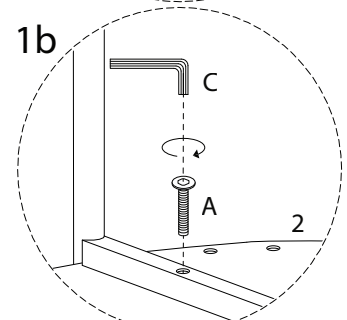
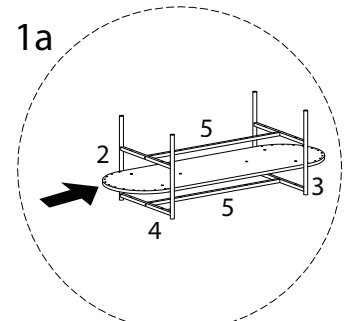
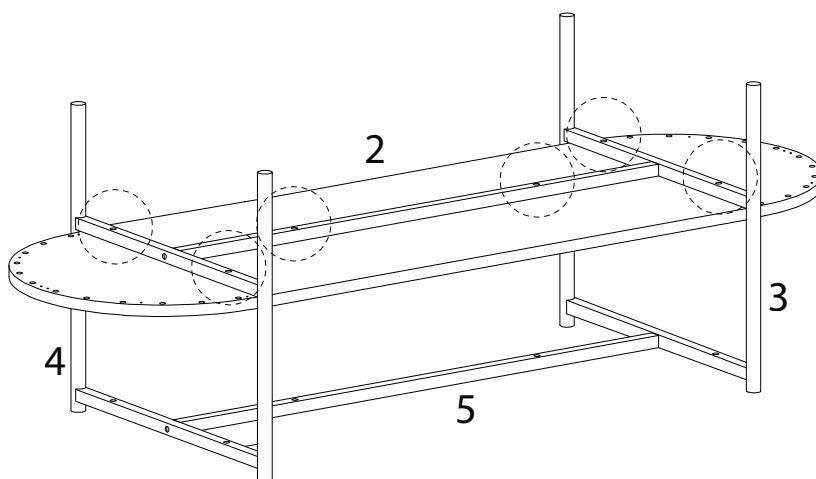
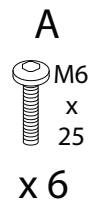
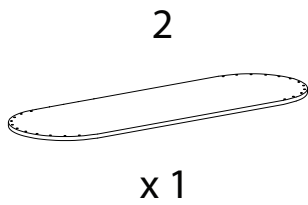
- Tools:** A circle containing a screwdriver and an Allen key. A power drill is shown with a diagonal line through it, indicating it should not be used.
- Warning:** A triangle with an exclamation mark.
- Time:** A clock icon with a circular arrow, indicating a 30-minute duration.
- Personnel:** A person icon with the number 2 below it, indicating that two people are required.



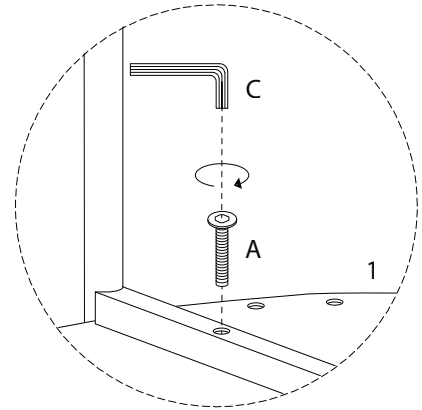
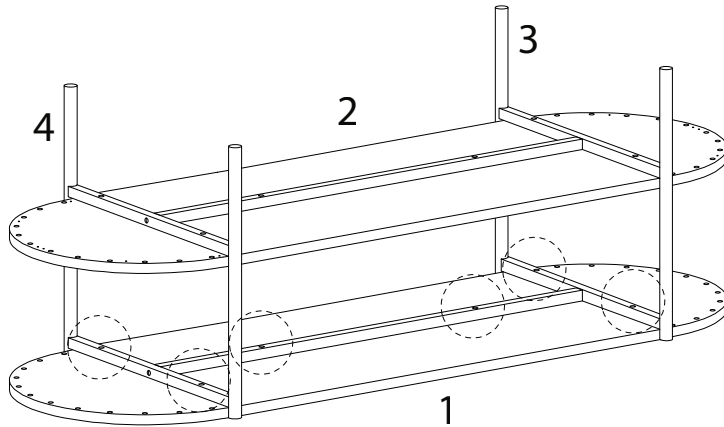
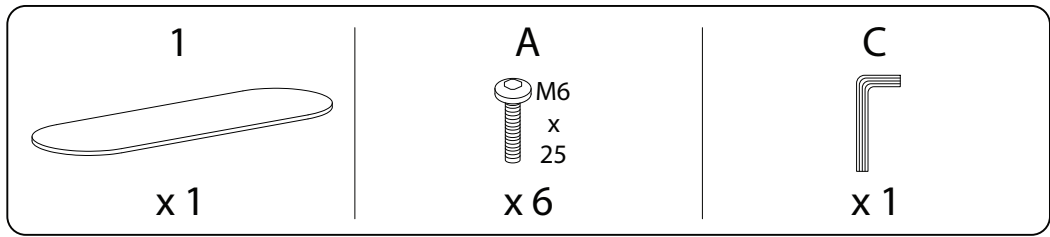
1



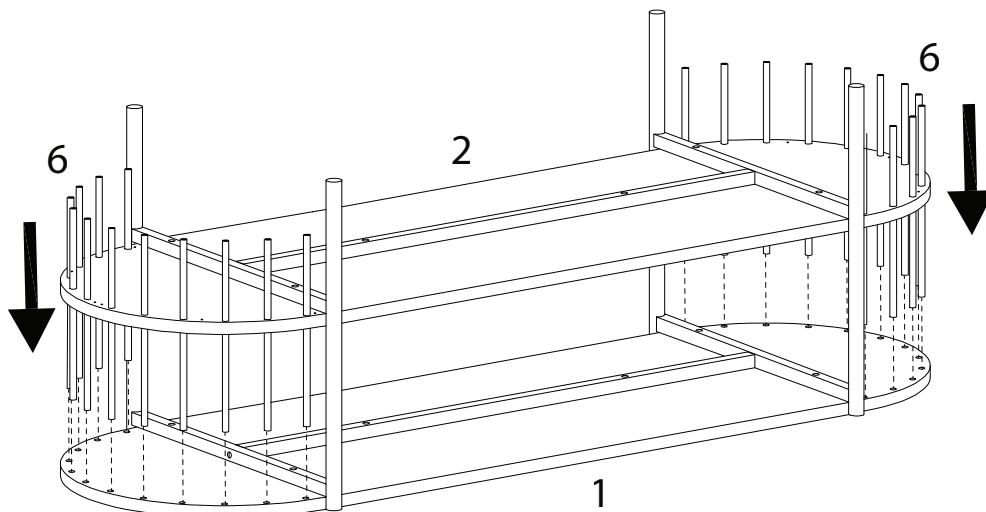
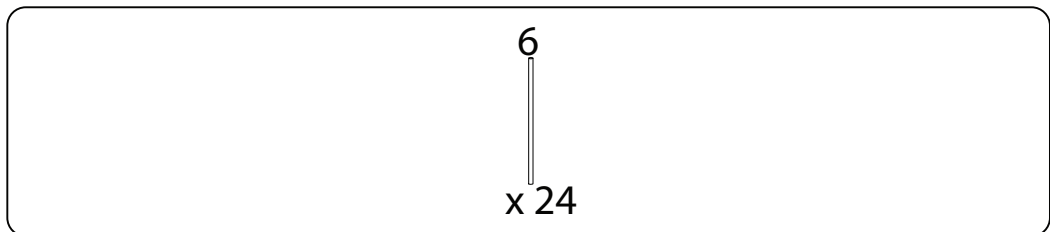
2



3



4



5

