







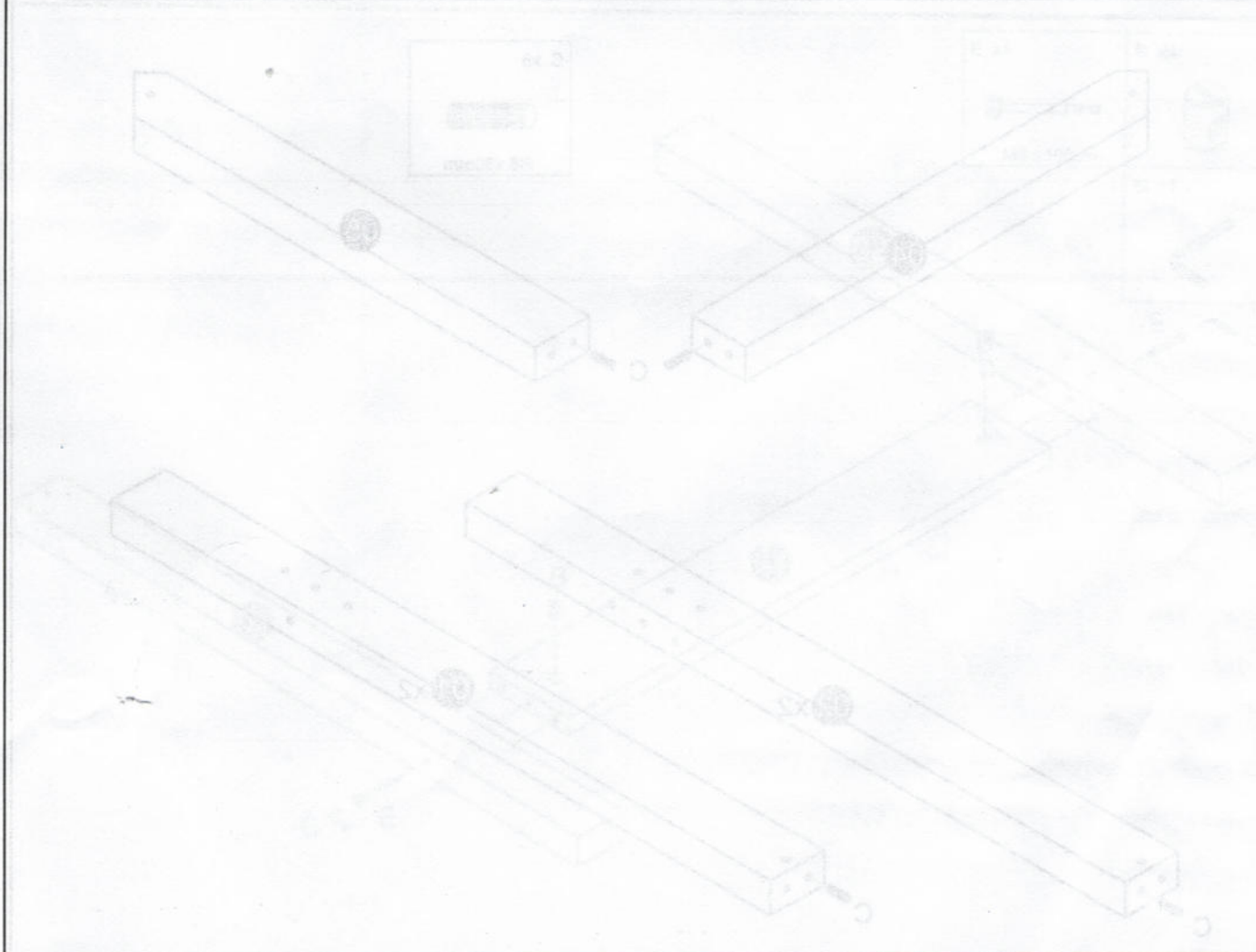

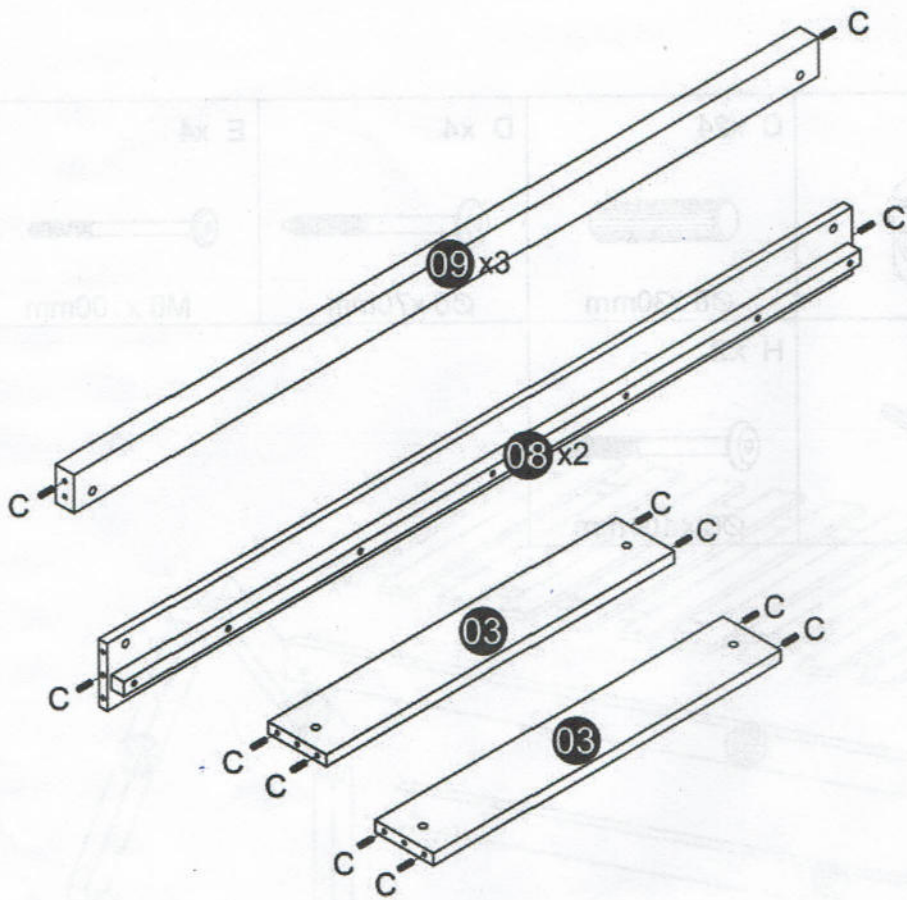



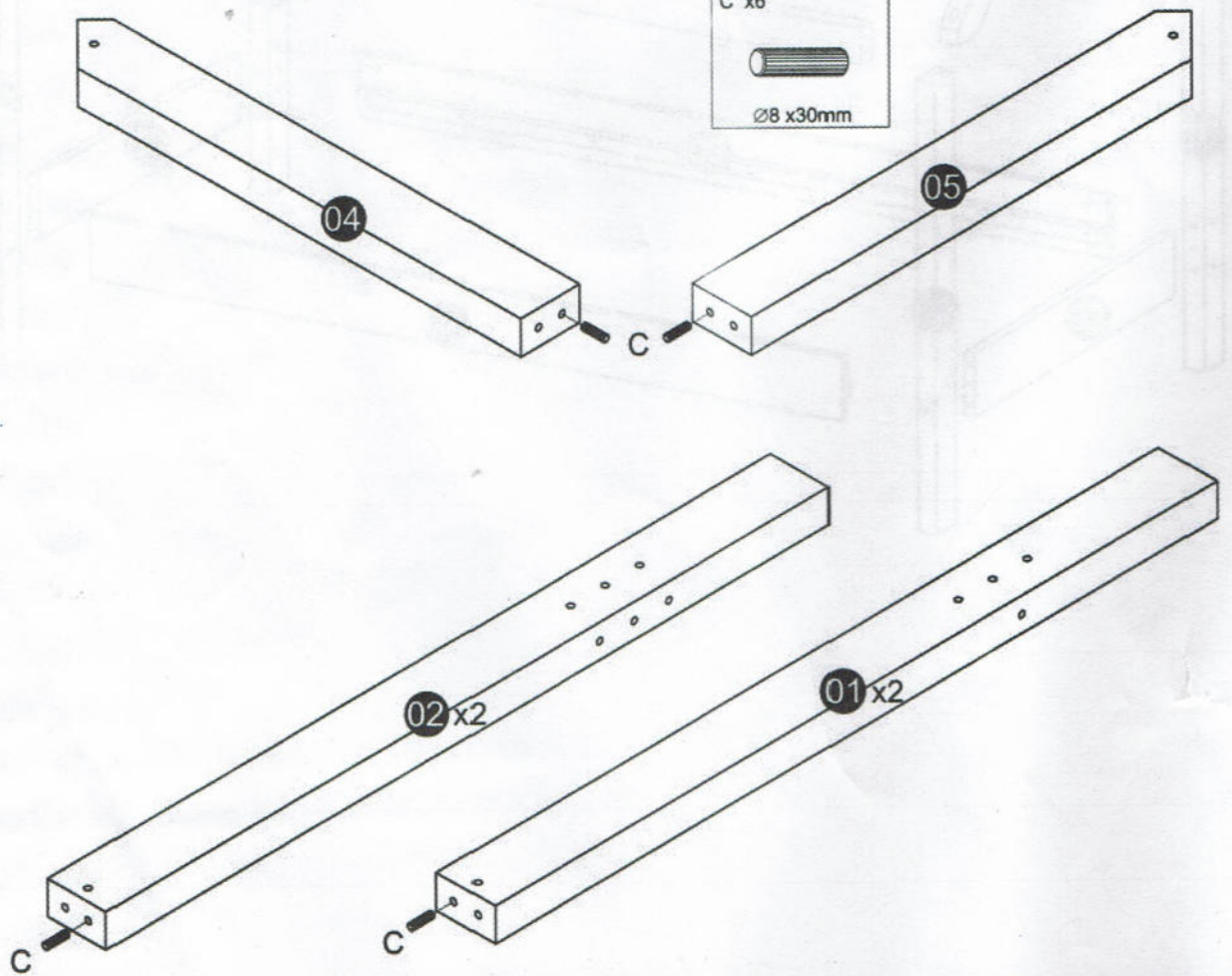
| | | | | |
|----------------------------------------------------------------------------------------------------------------|------------------------------------------------------------------------------------------------|-----------------------------------------------------------------------------------------------------------------|-----------------------------------------------------------------------------------------------------------------|------------------------------------------------------------------------------------------------------------------|
| <p>A x14</p>  <p>M6 x80mm</p> | <p>B x18</p>  | <p>C x24</p>  <p>Ø8 x30mm</p> | <p>D x4</p>  <p>Ø6 x70mm</p> | <p>E x4</p>  <p>M6 x100mm</p> |
| <p>F x20</p>  <p>Ø4 x30mm</p> | <p>G x1</p>  | <p>H x2</p>  <p>Ø6 x100mm</p> | | |



C x18

Ø8 x30mm



C x6

Ø8 x30mm



G x1

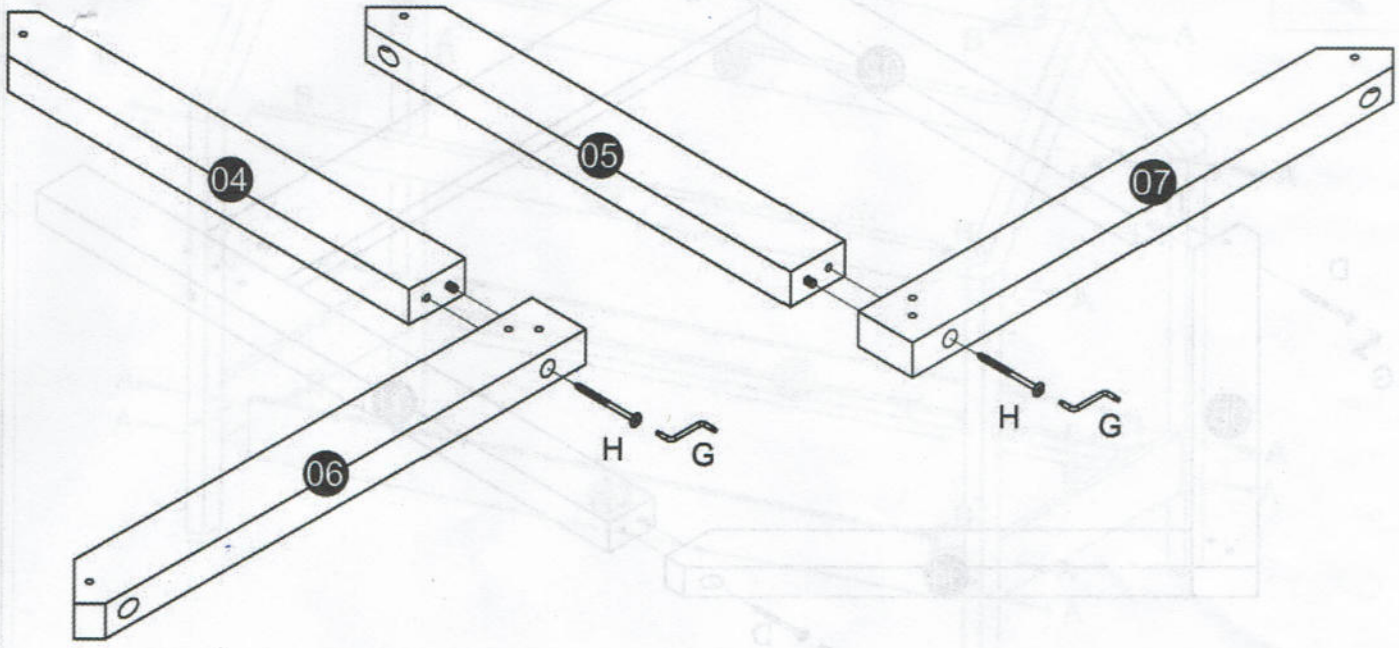


Hx2



Ø6 x100mm

ee



E x4

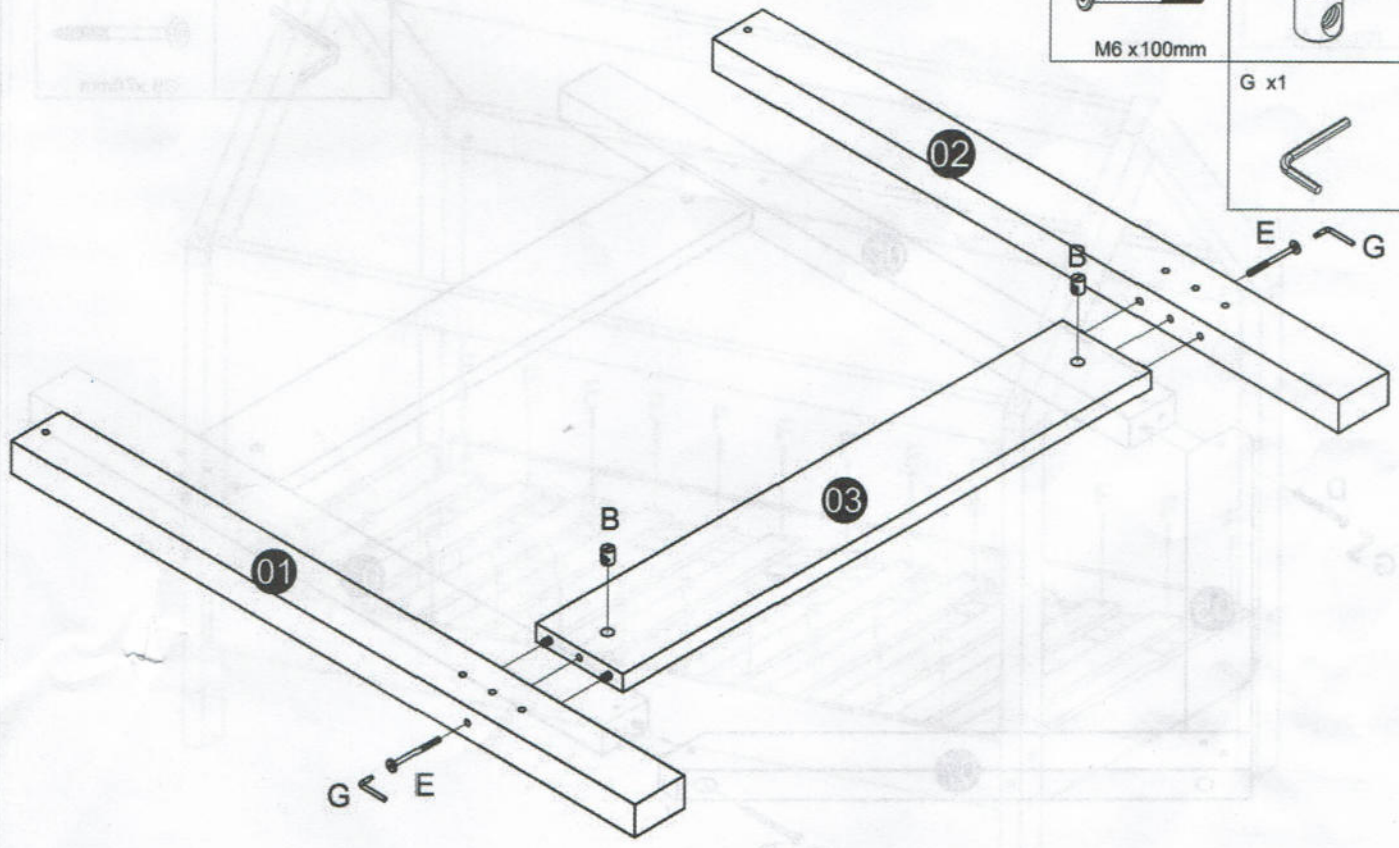


M6 x100mm



B x4

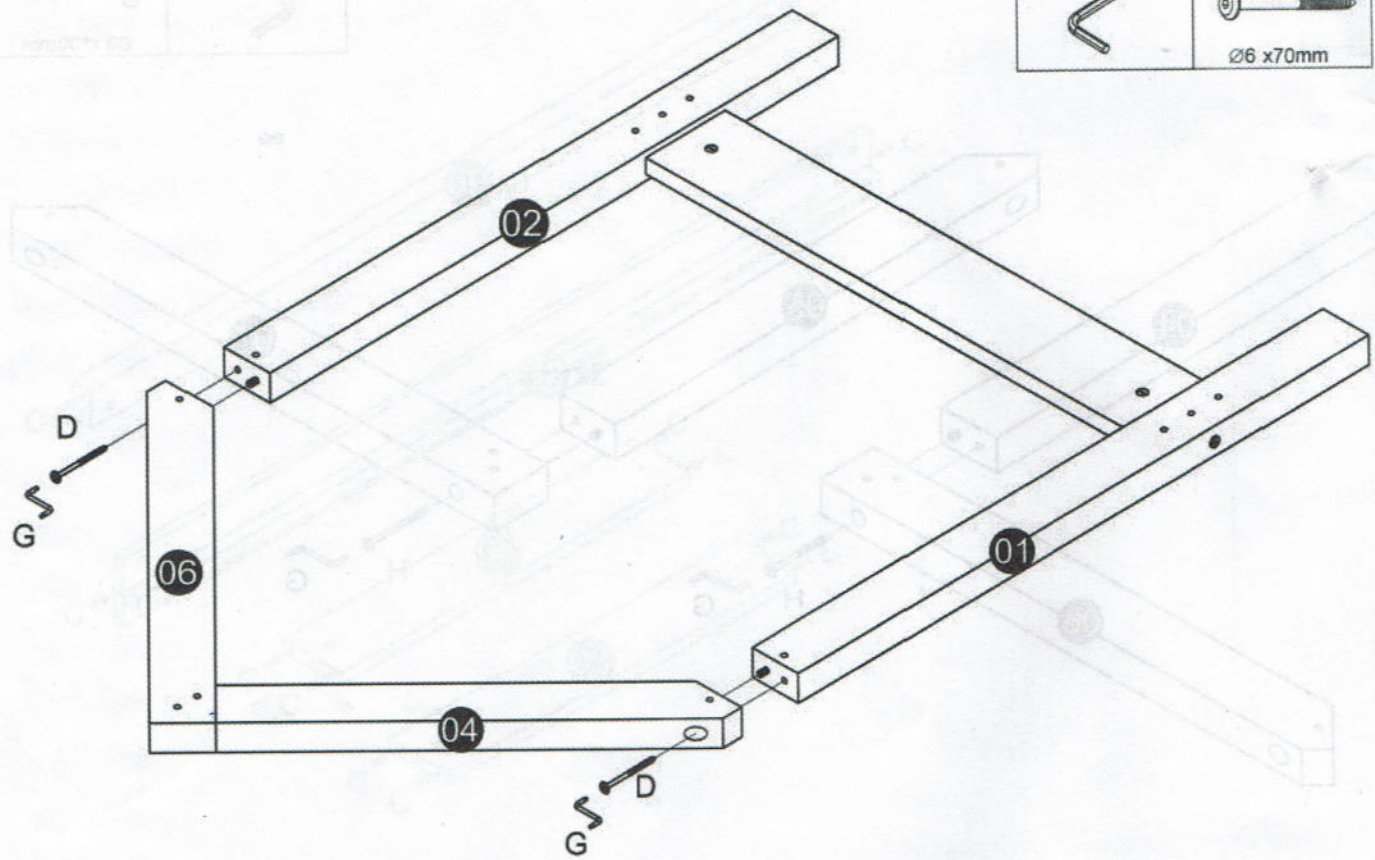




G x1





| | |
|-------------------------------------------------------------------------------------|-------------------------------------------------------------------------------------|
| G x1 | D x2 |
|  |  |
| | Ø6 x70mm |



| | |
|---------------------------------------------------------------------------------------|---------------------------------------------------------------------------------------|
| G x1 | D x2 |
|  |  |
| | Ø6 x70mm |

