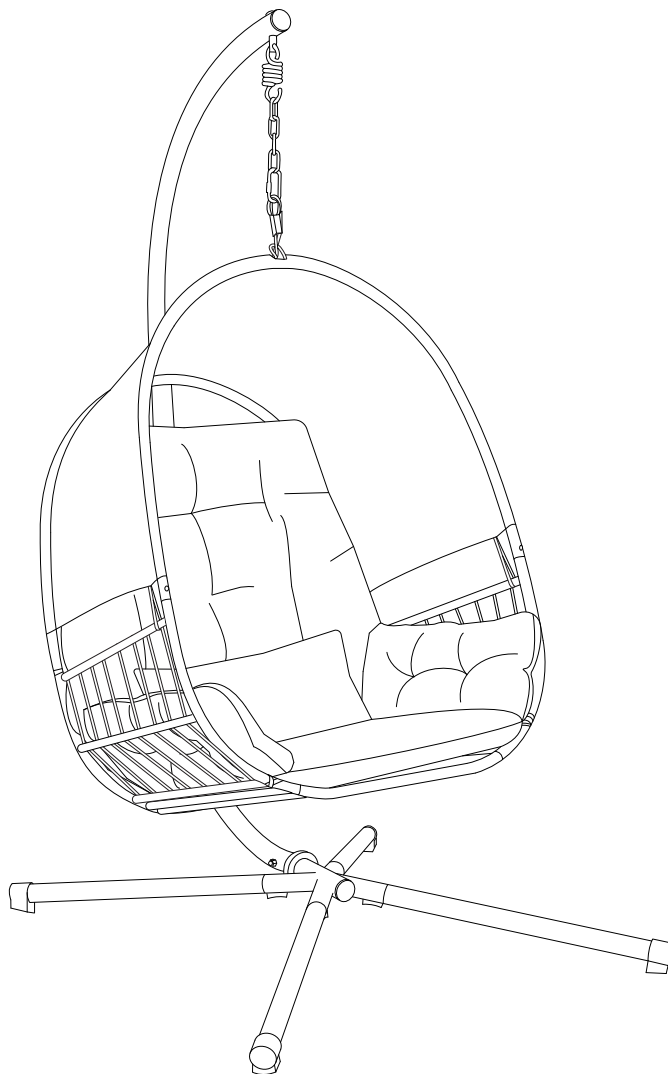
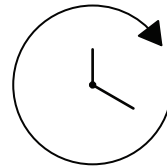
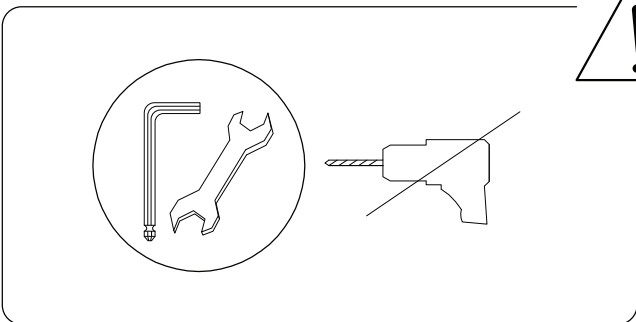
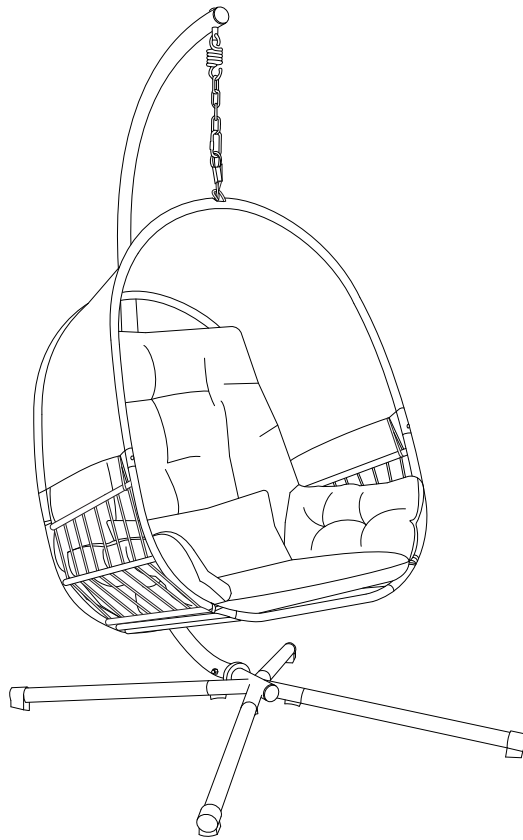
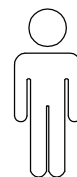
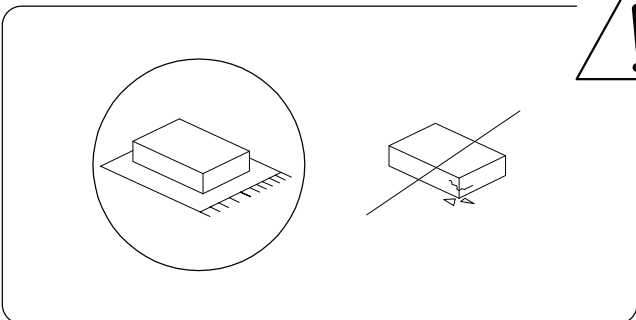


# ALVIANO

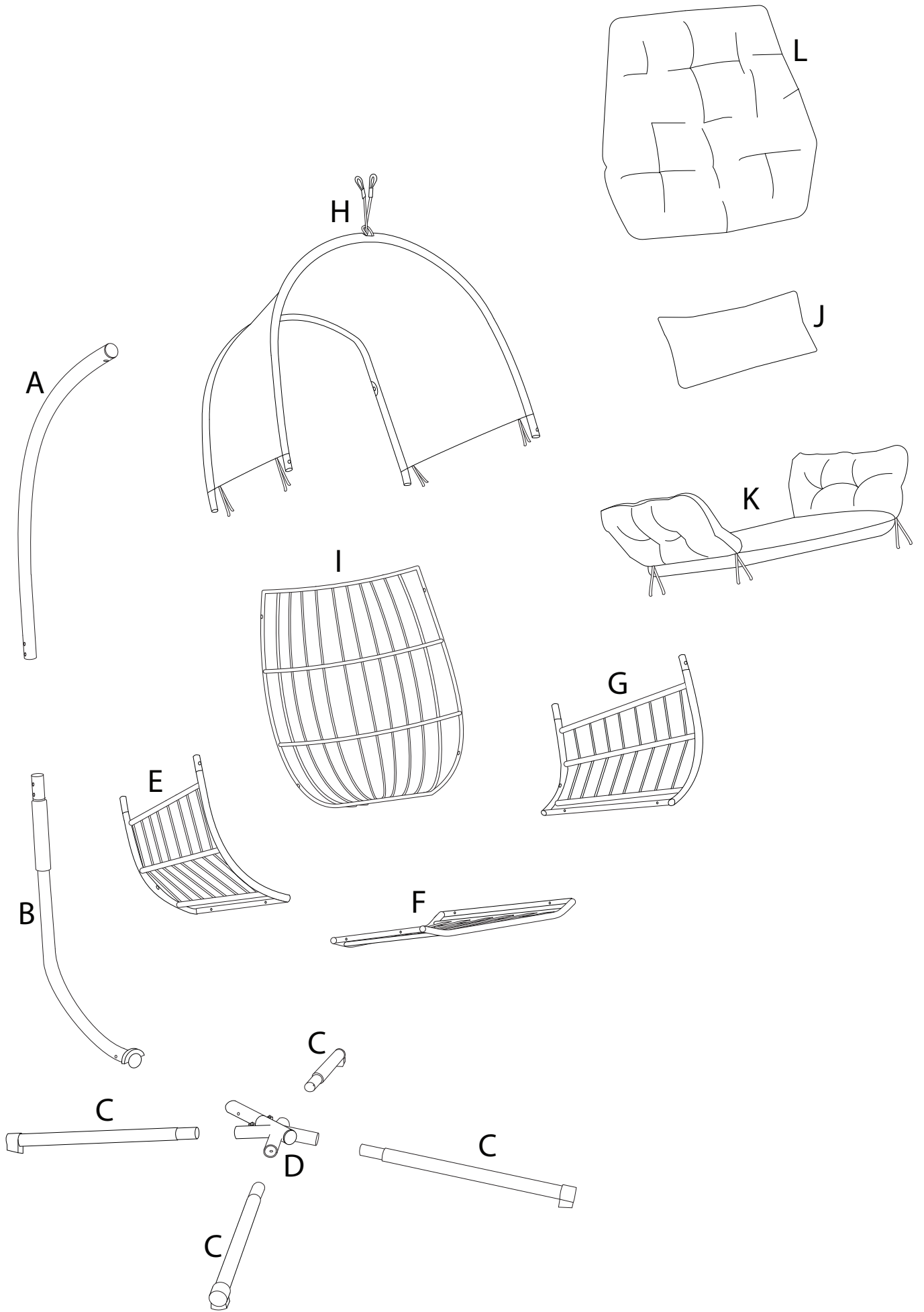




30'



1

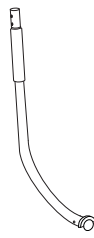


A



x 1

B



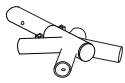
x 1

C



x 4

D



x 1

E



x 1

F



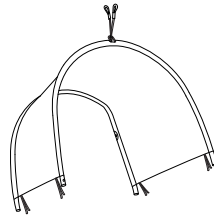
x 1

G



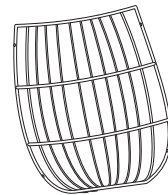
x 1

H



x 1

I



x 1

J



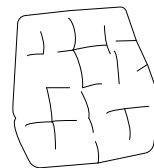
x 1

K



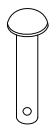
x 1

L



x 1

1



x 1

2



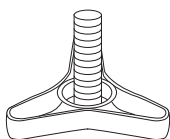
x 1

3



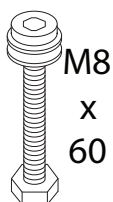
x 1

4



x 4

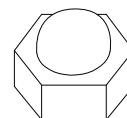
5



M8  
x  
60

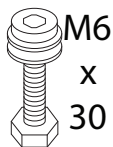
x 3

6



x 6

7



M6  
x  
30

x 2

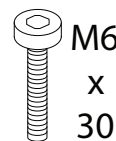
8



M6  
x  
15

x 4

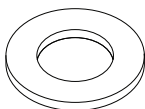
9



M6  
x  
30

x 4

10



x 4

11



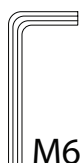
x 1

12



x 2

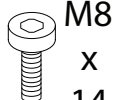
13



M6

x 1

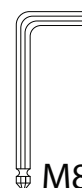
14



M8  
x  
14

x 2

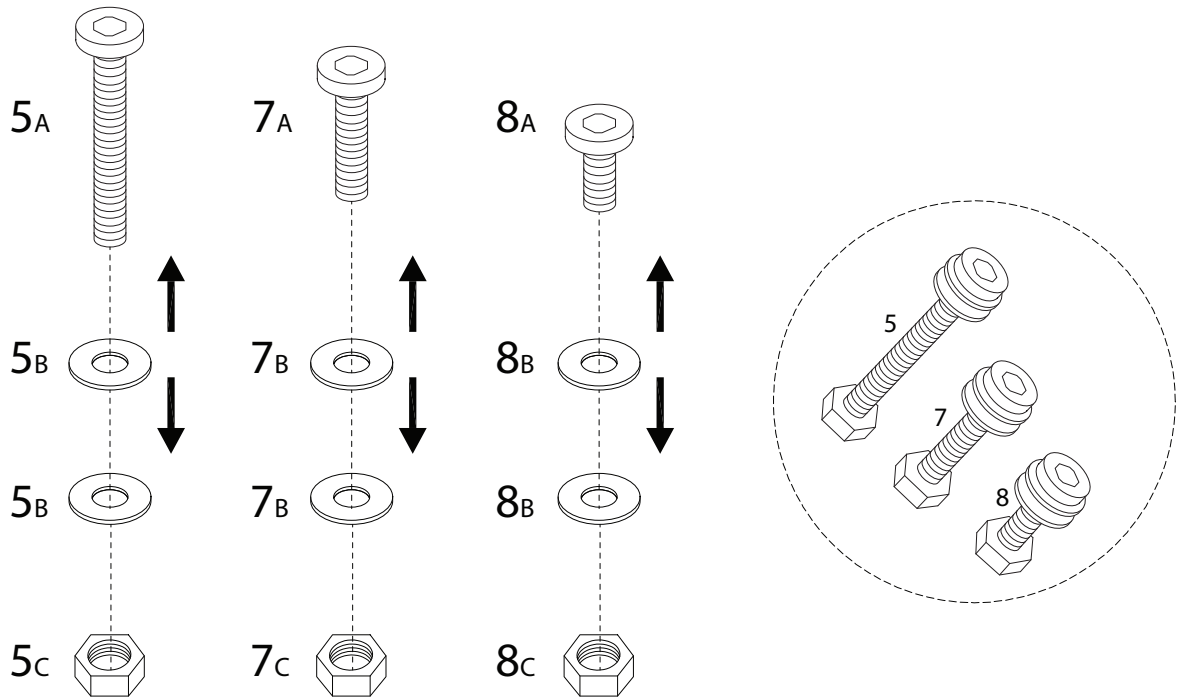
15







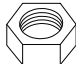

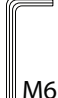
M8

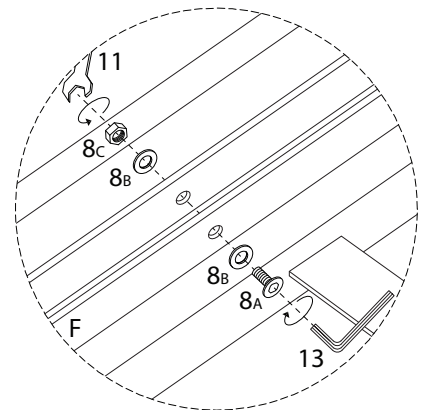
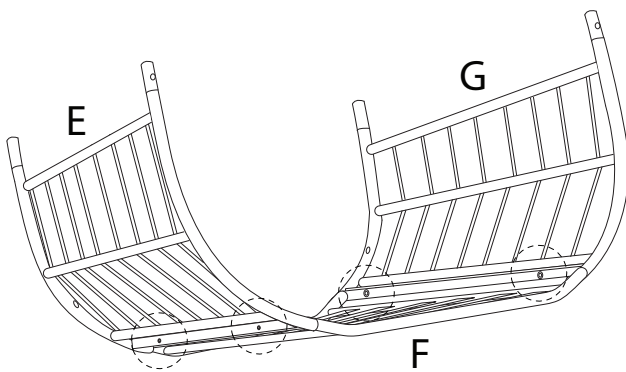
x 1

!

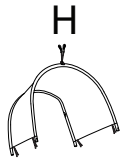
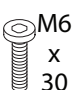

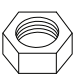




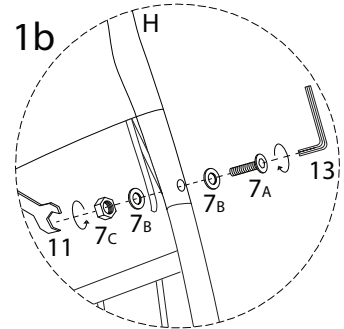
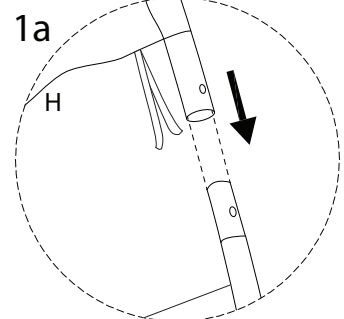
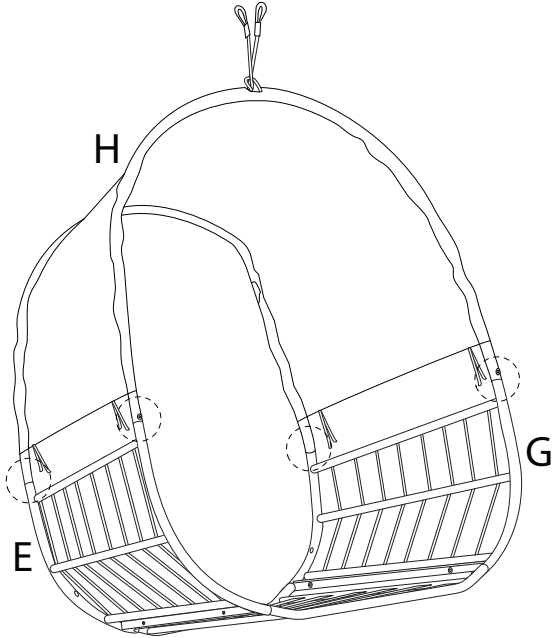
1

<b>E</b>  x 1	<b>F</b>  x 1	<b>G</b>  x 1	<b>8A</b> M6 x 15 x 4	<b>8B</b>  x 8	<b>8C</b>  x 4	<b>11</b>  x 1	<b>13</b>  M6 x 1
--	--	--	--------------------------------	---	---	---	---

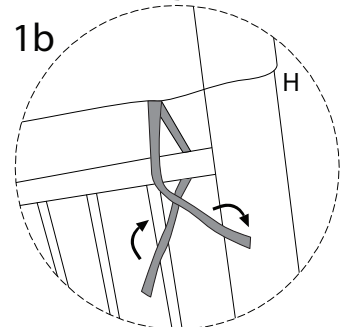
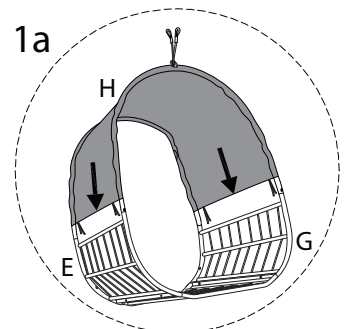
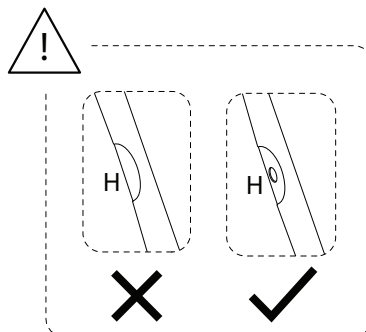
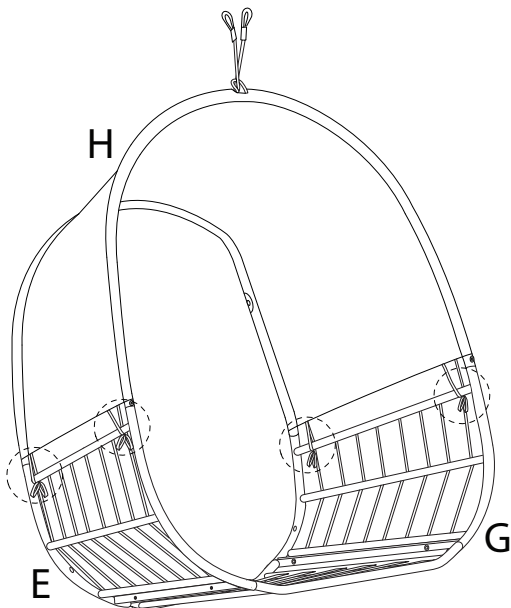


2

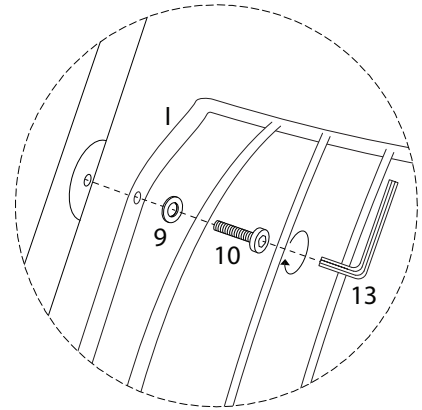
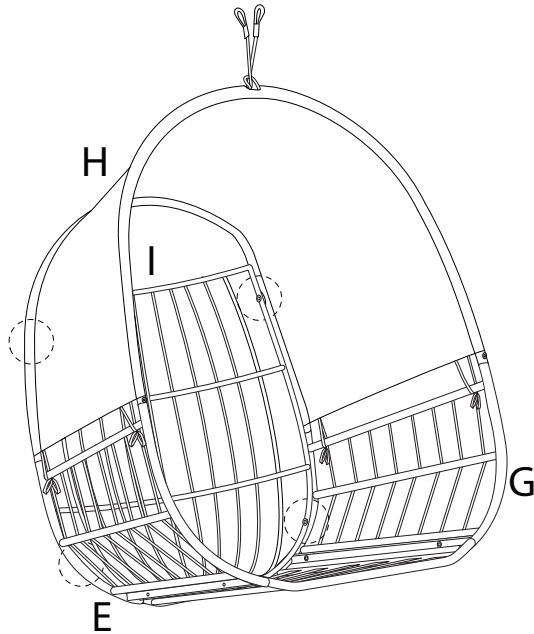
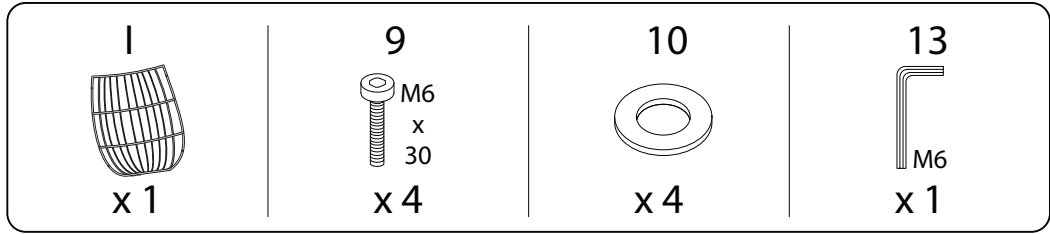
 x 1	 x 4	 x 8	 x 4	 x 1	 x 1
--	--	--	---	--	--



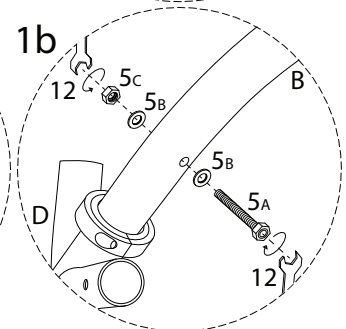
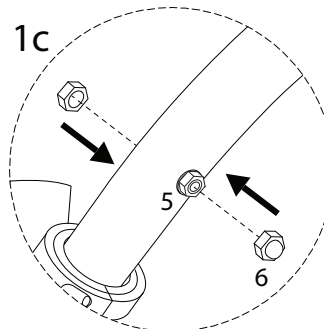
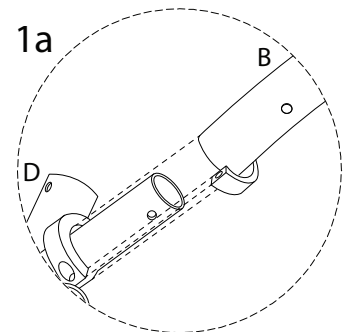
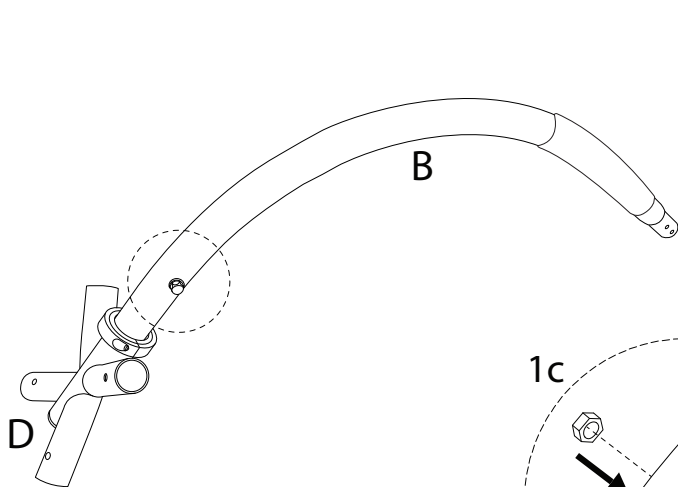
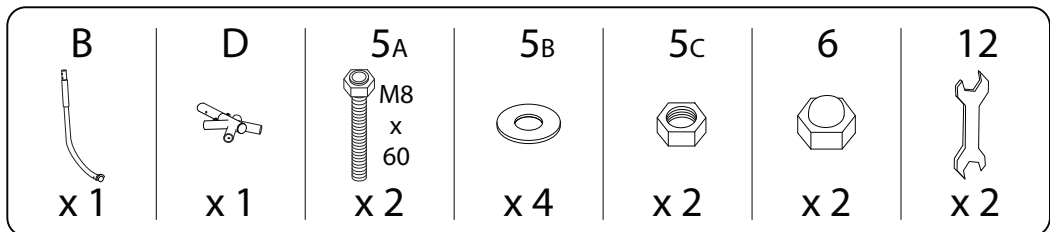
3



4



5





7

14

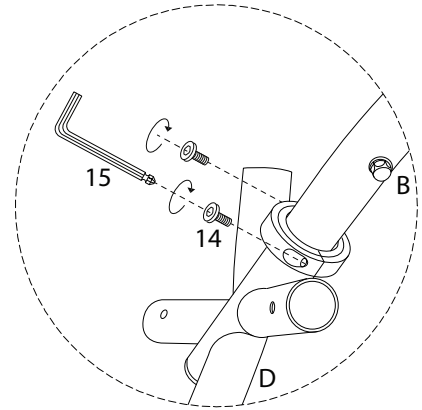
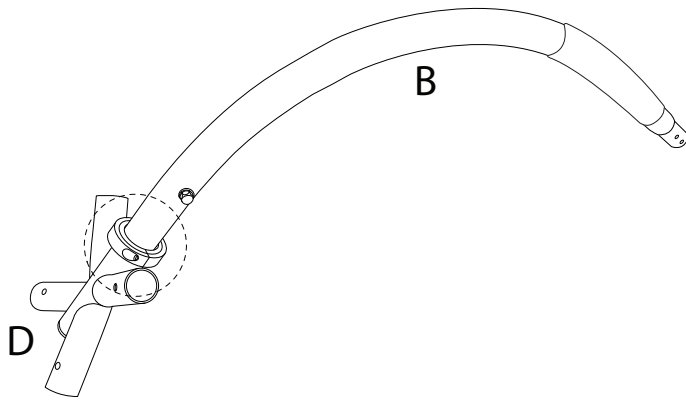


x 2

15



x 1



8

C

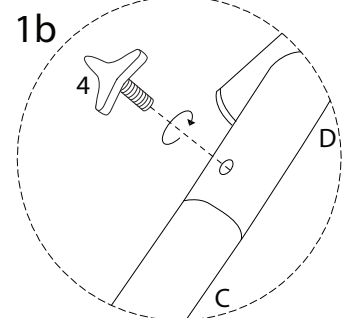
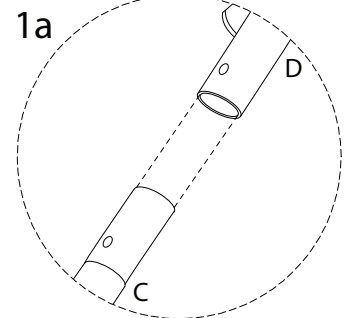
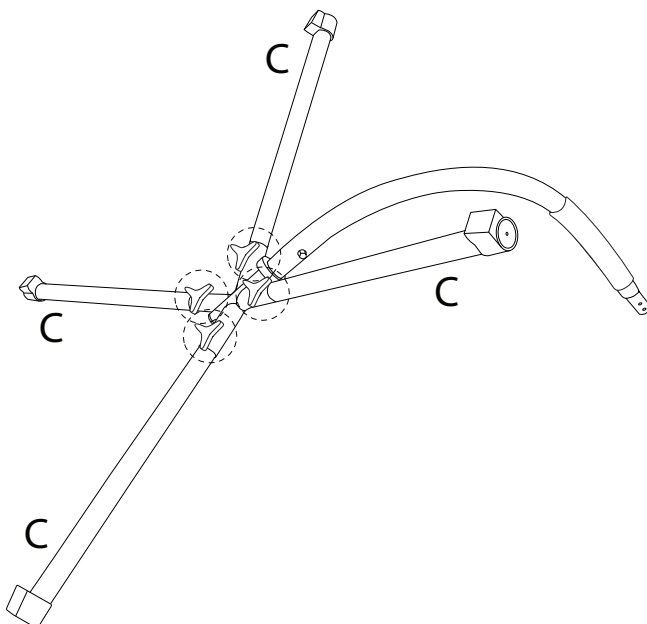


x 4


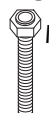

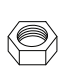
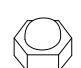

4

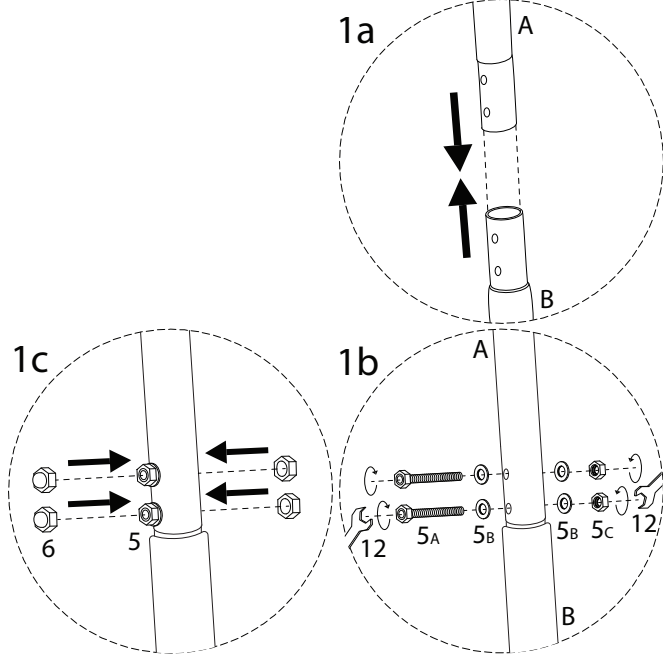
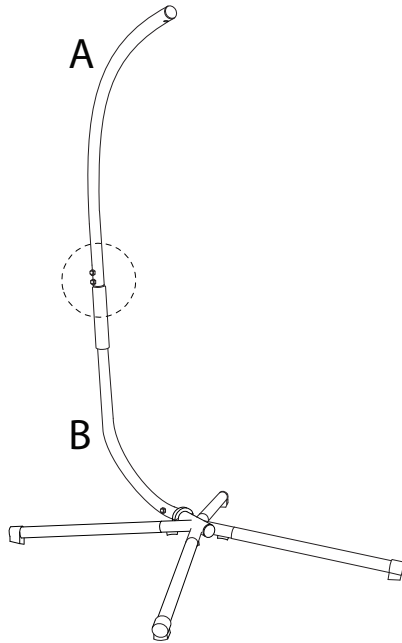


x 4


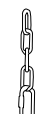


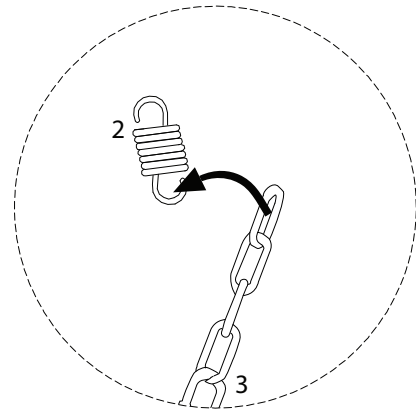
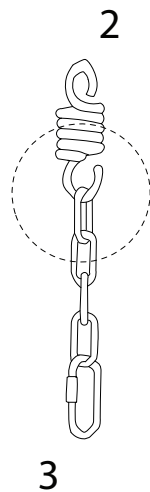
9

<b>A</b>  x 1	<b>5A</b> M8 x 60  x 2	<b>5B</b>  x 4	<b>5c</b>  x 2	<b>6</b>  x 2	<b>12</b>  x 2
--	---	---	--	--	---

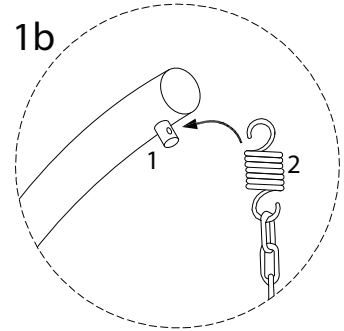
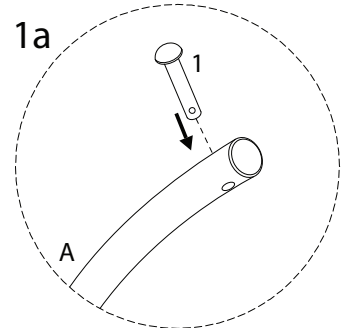
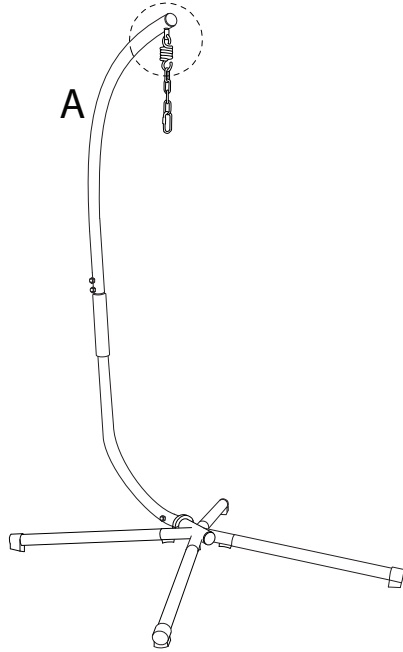
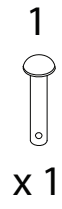


10

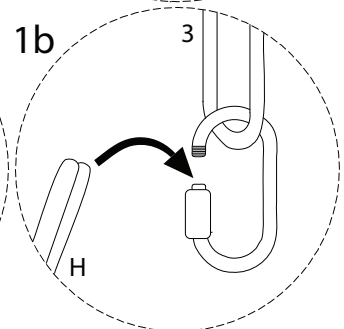
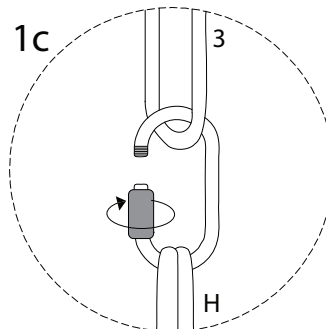
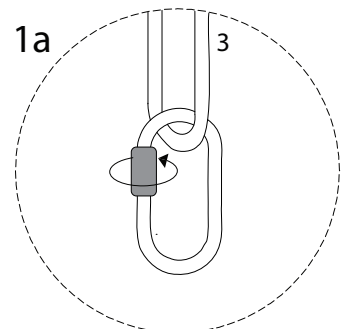
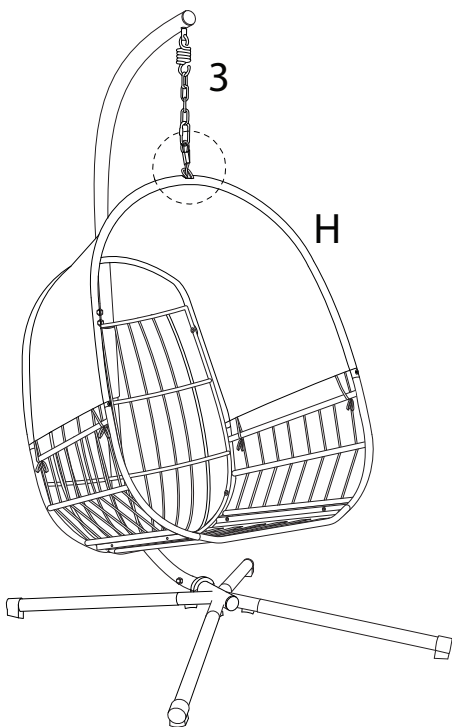
<b>2</b>  x 1	<b>3</b>  x 1
--	--



11



12



13

K

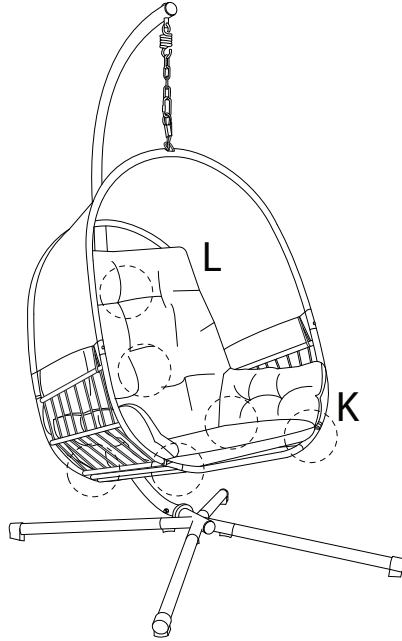


x 1

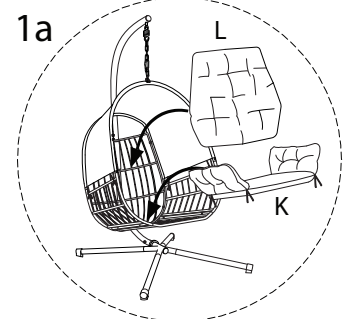
L



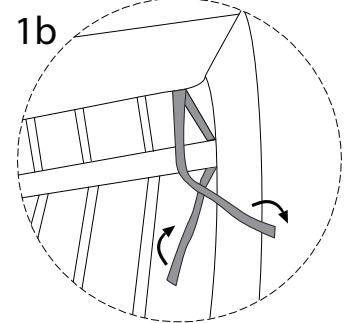
x 1



1a

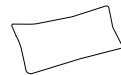


1b



14

J



x 1

