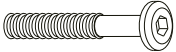

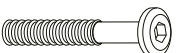
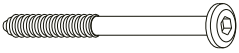

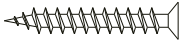

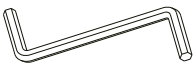
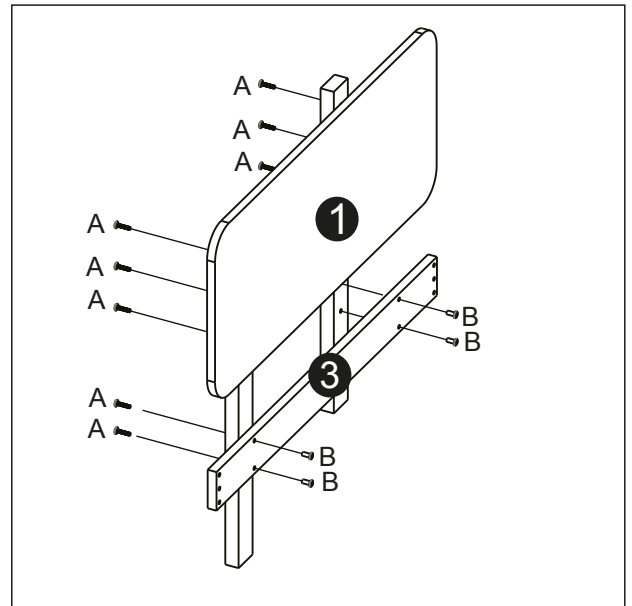
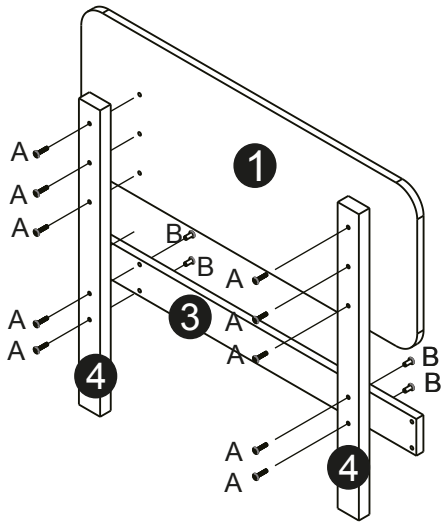
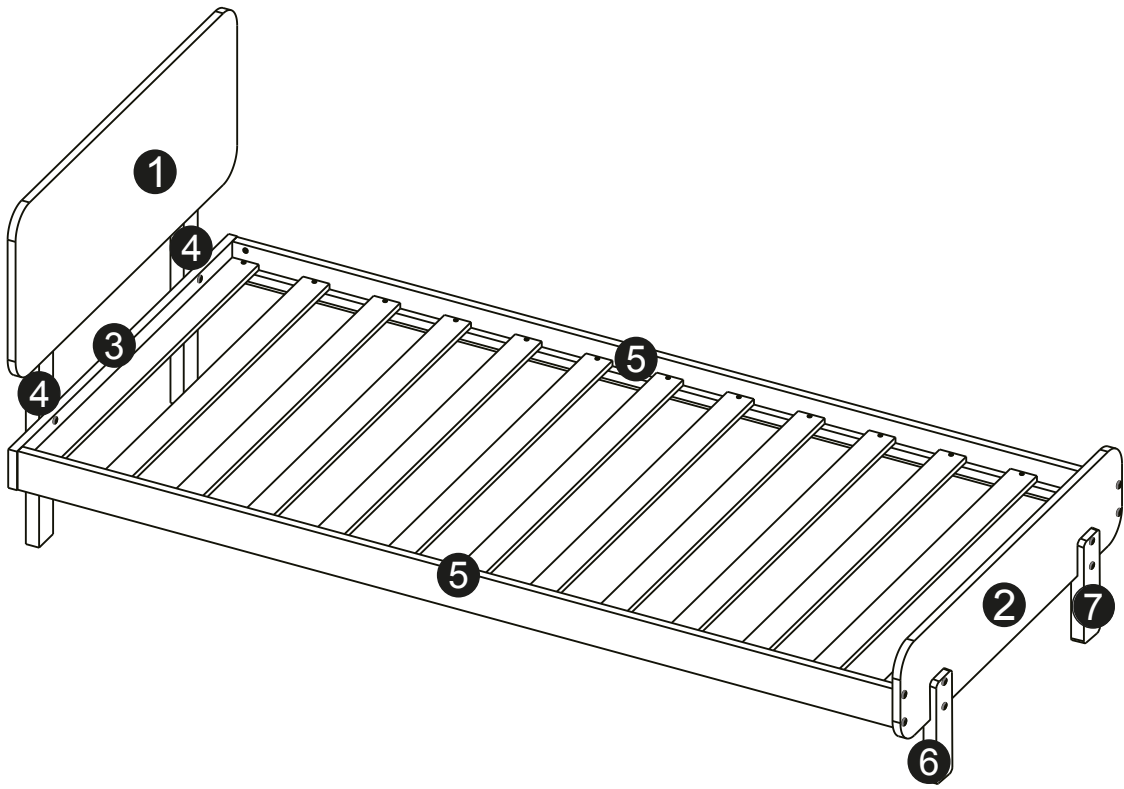
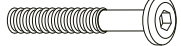

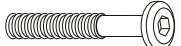
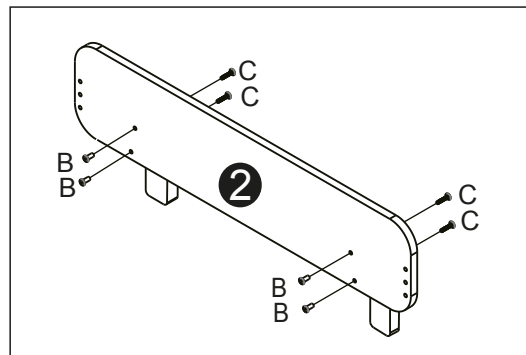
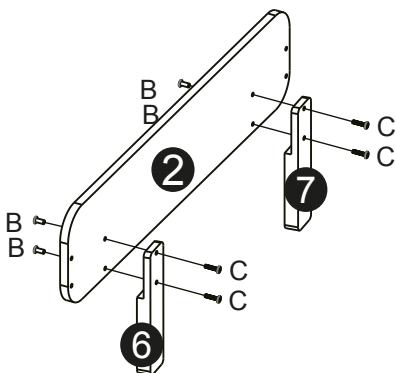
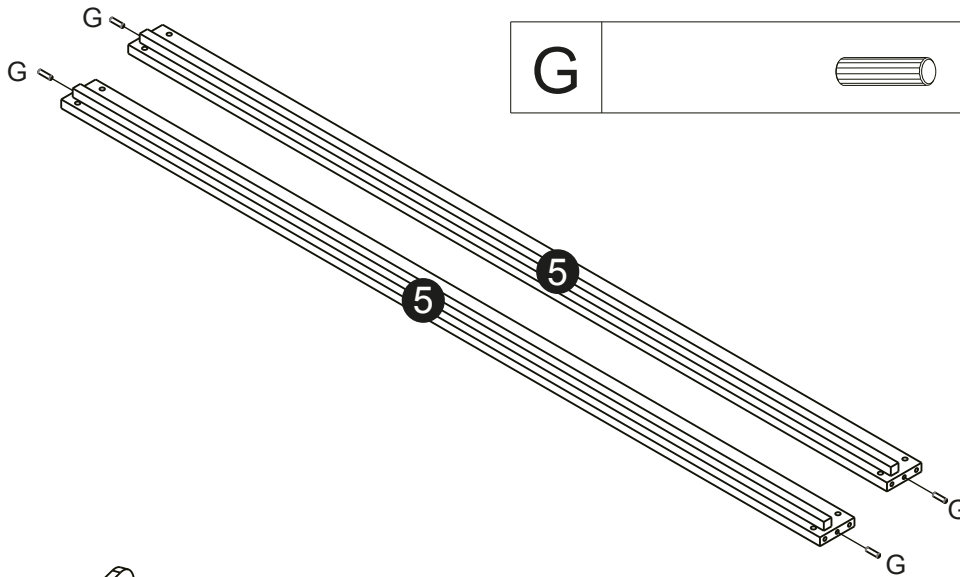



A	 M6X40mm	10
B		8
C	 M6X30mm	4
D	 M6X60mm	8
E		8
F	 Ø 4X30mm	26
G	 Ø8X30mm	4
H		1

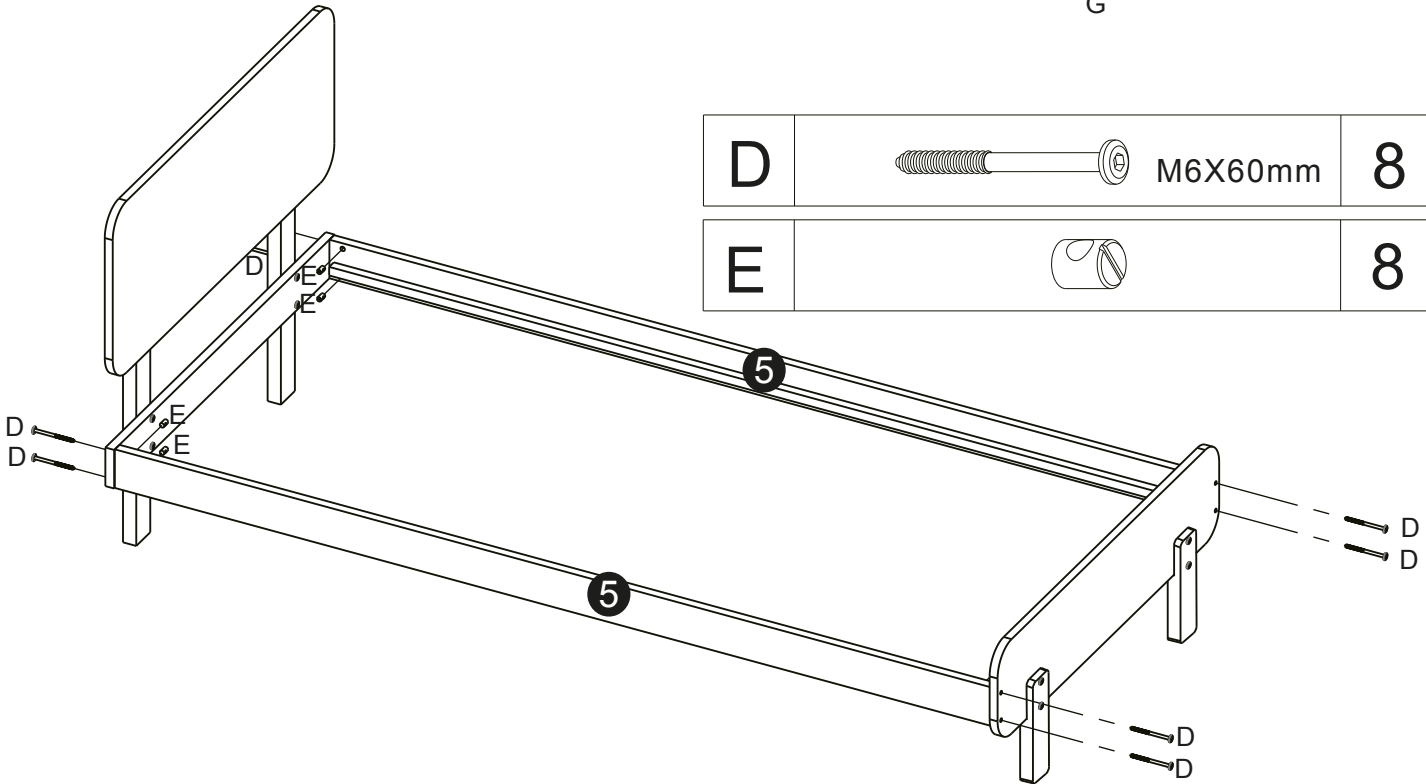


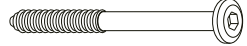
A	 M6X40mm	10
B		8
C	 M6X30mm	4




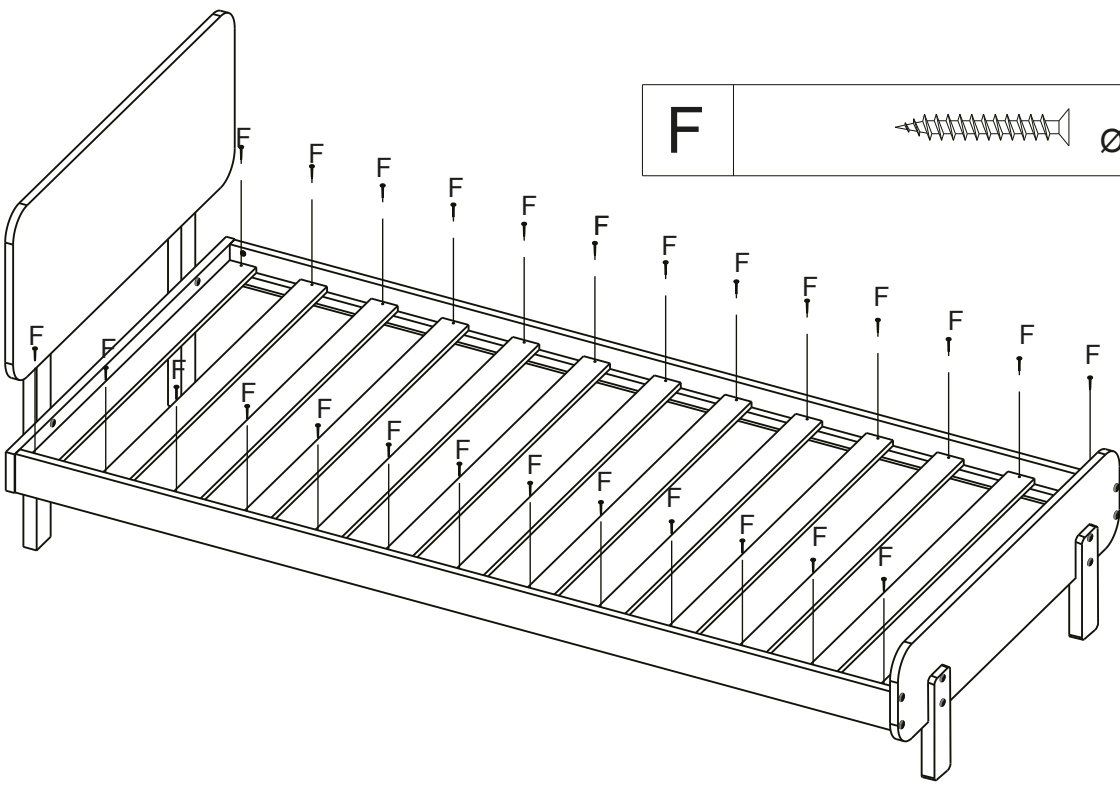


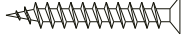
<b>G</b>	 Ø8X30mm	<b>4</b>
----------	--------------------------------------------------------------------------------------------	----------



<b>D</b>	 M6X60mm	<b>8</b>
----------	---------------------------------------------------------------------------------------------	----------

<b>E</b>		<b>8</b>
----------	-------------------------------------------------------------------------------------	----------



<b>F</b>	 Ø4X30mm	<b>26</b>
----------	-----------------------------------------------------------------------------------------------	-----------