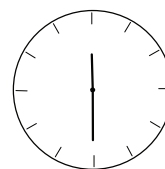
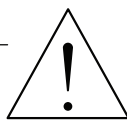
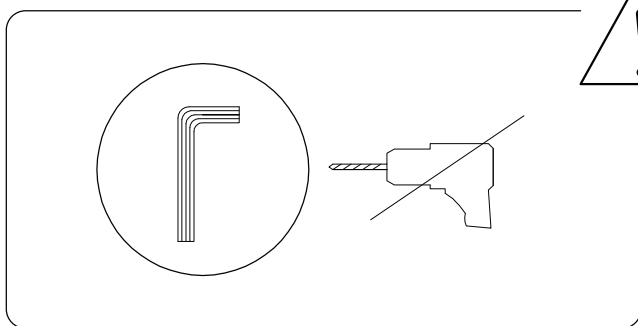
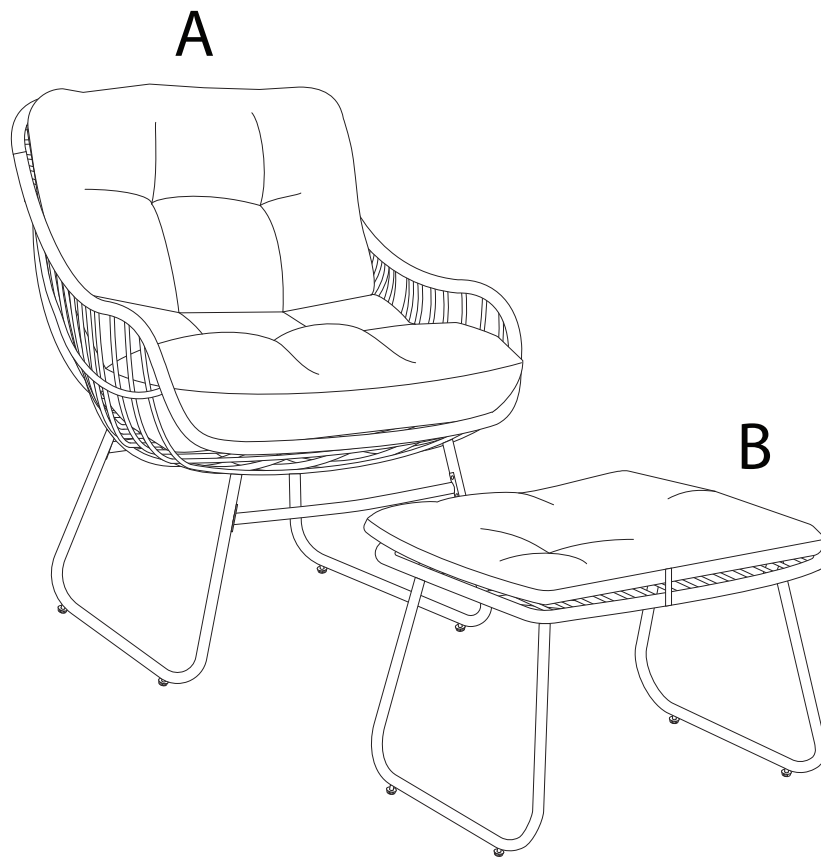
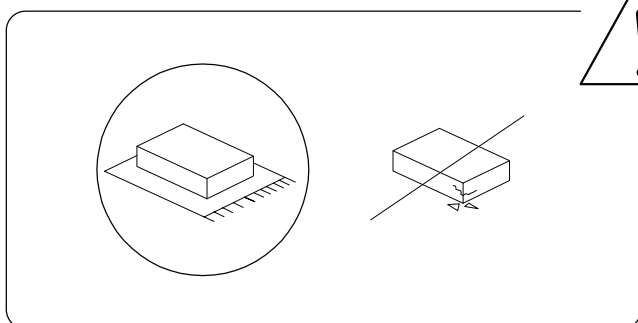


MESTRE



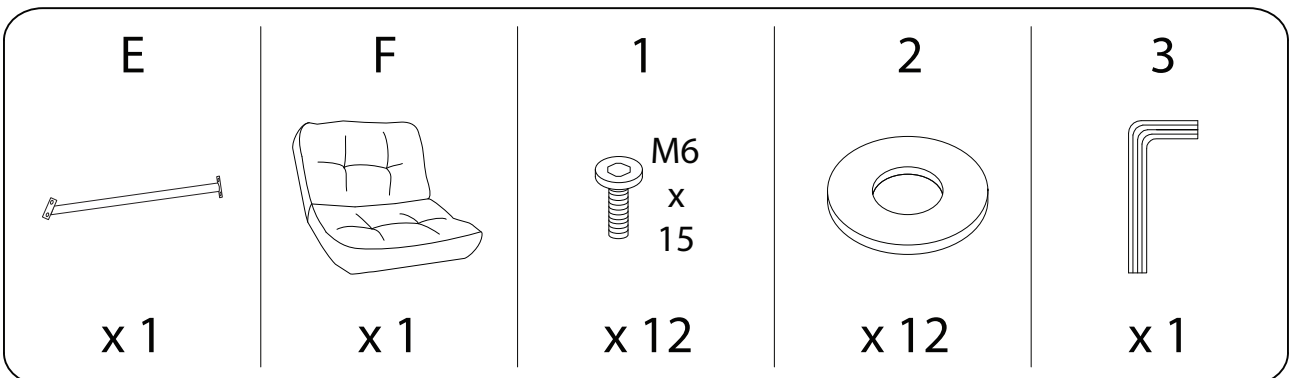
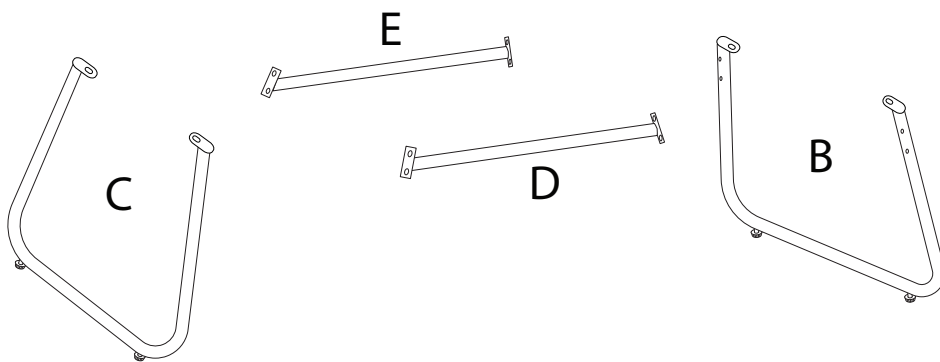
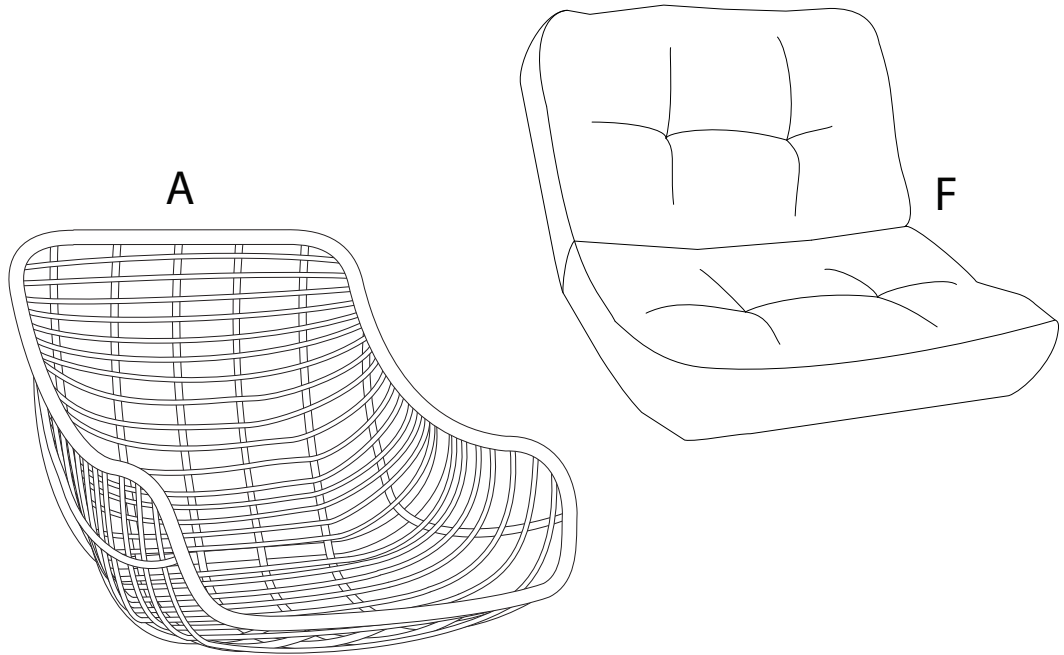
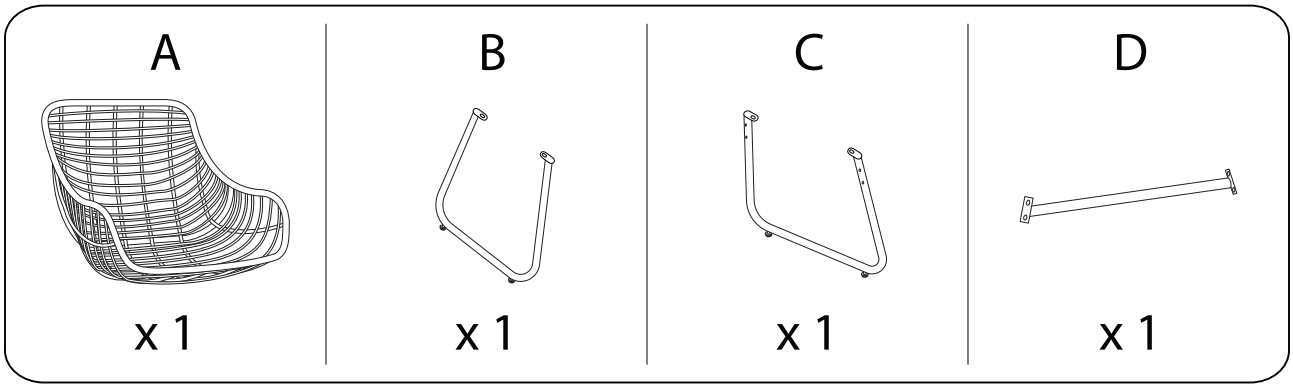


30'

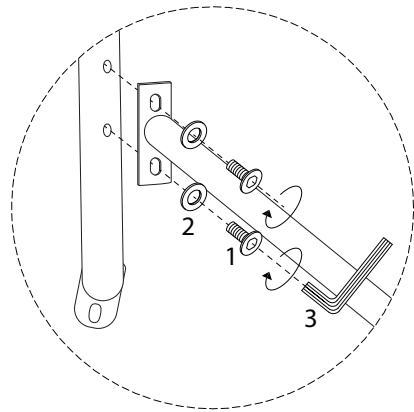
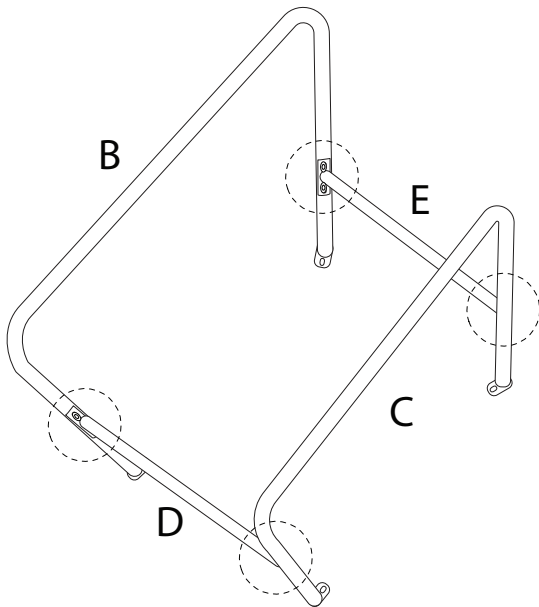
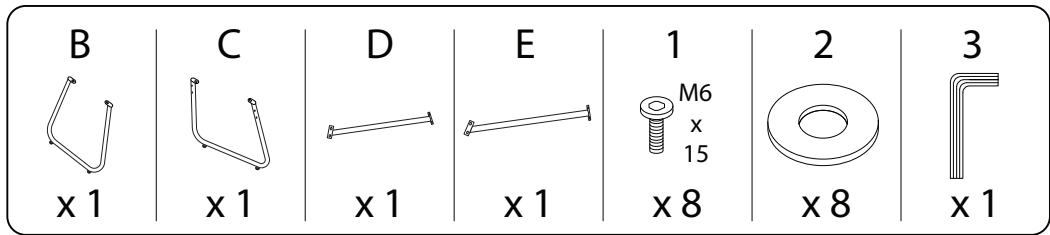


2

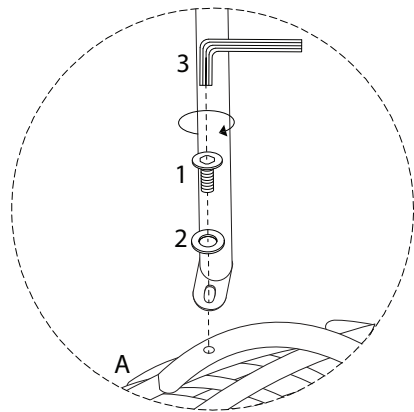
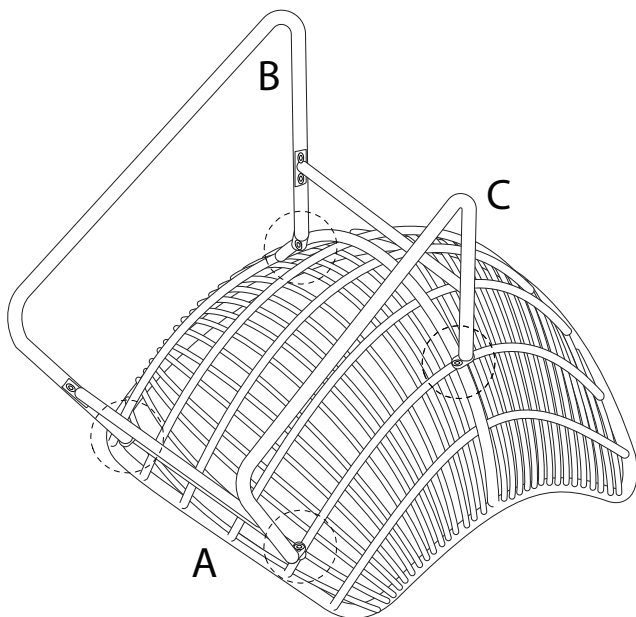
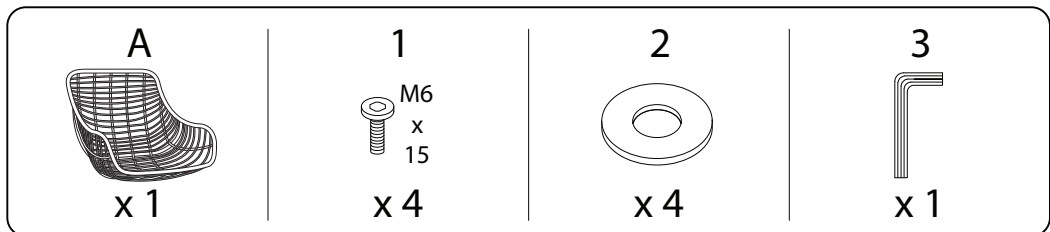
A



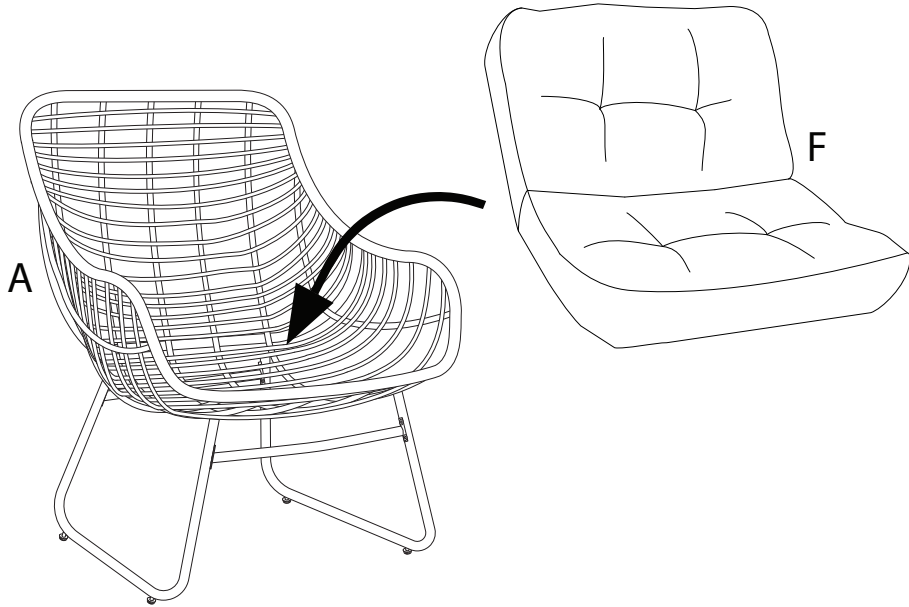
1



2

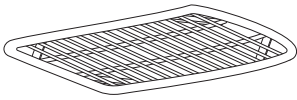


3



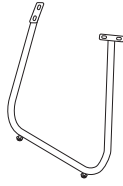
B

G



x 1

H



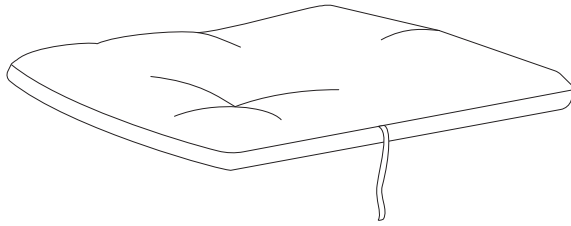
x 2

I

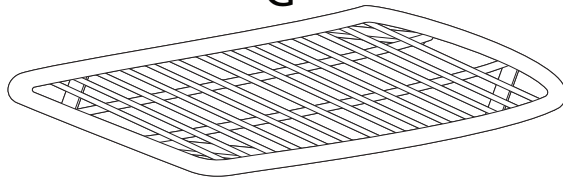


x 1

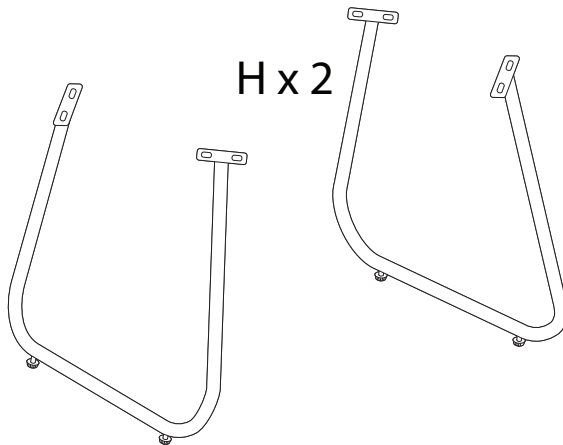
I



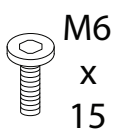
G



H x 2

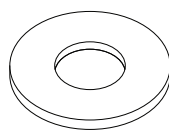


D



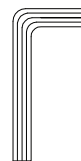
x 8

E



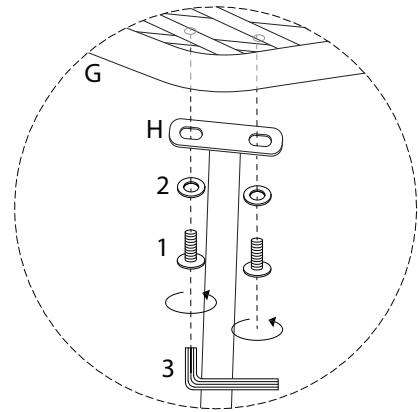
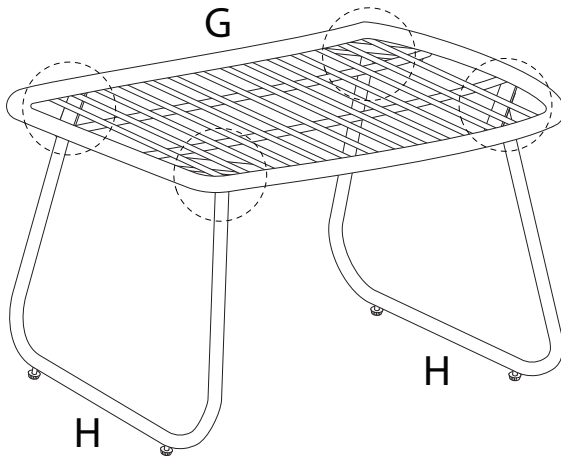
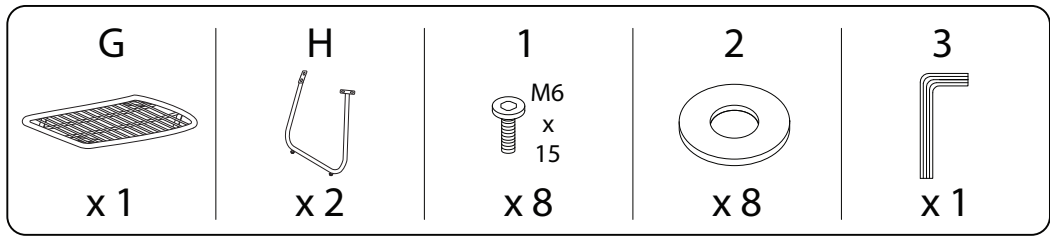
x 8

F



x 1

1



2

