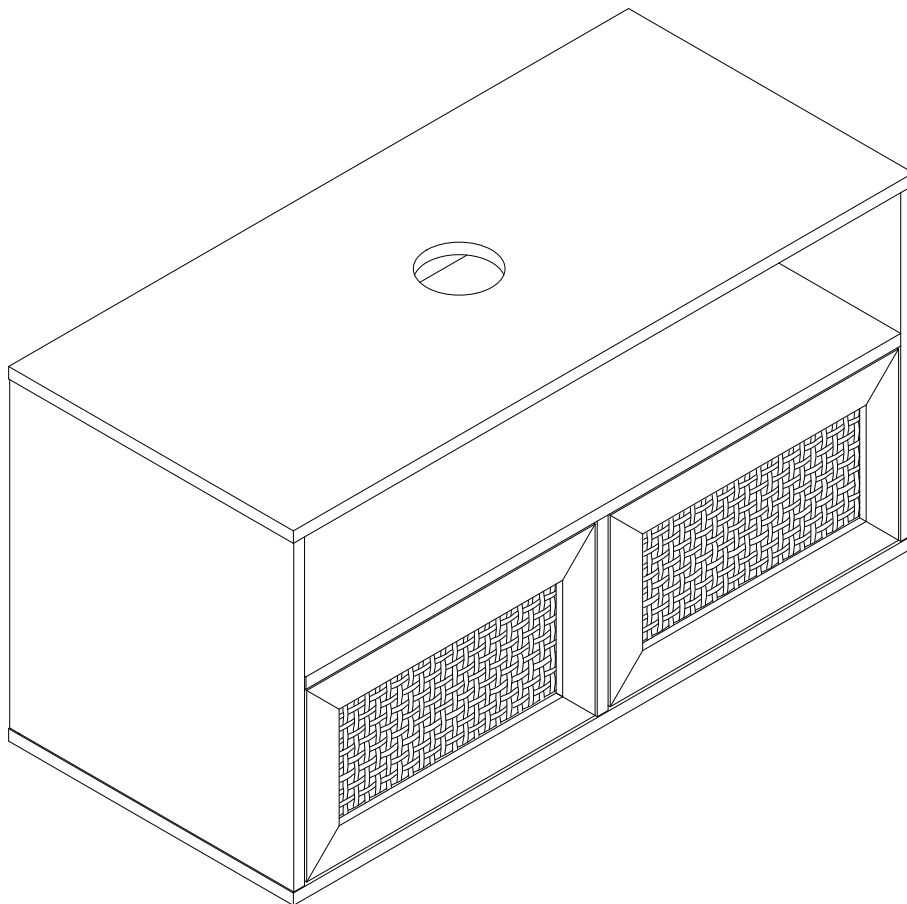
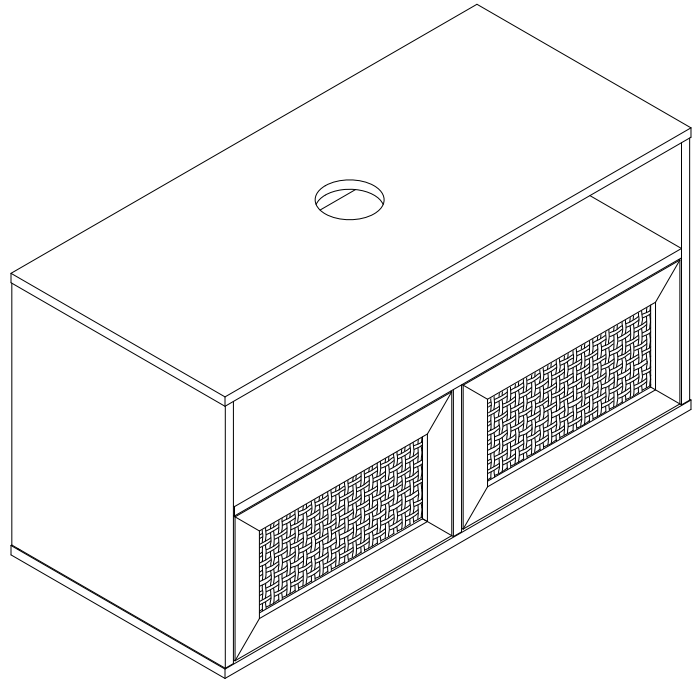


# ROSELL





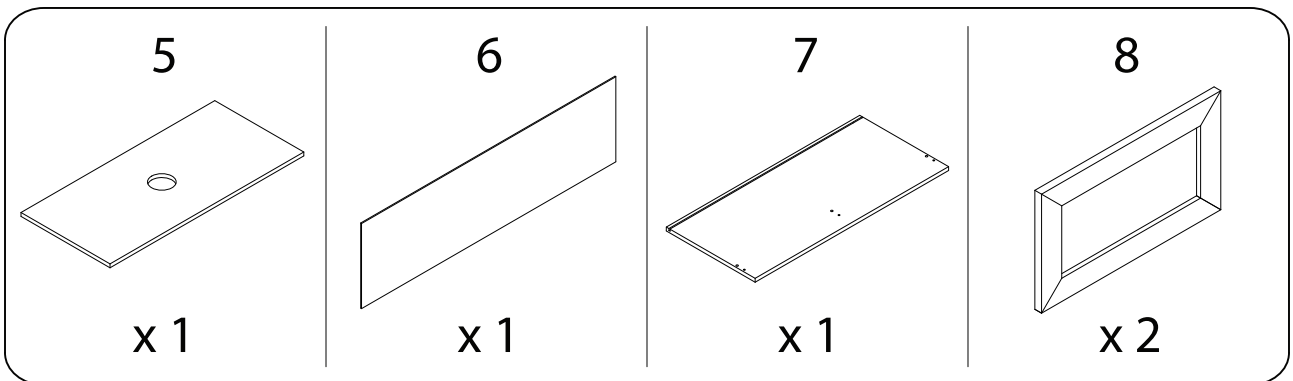
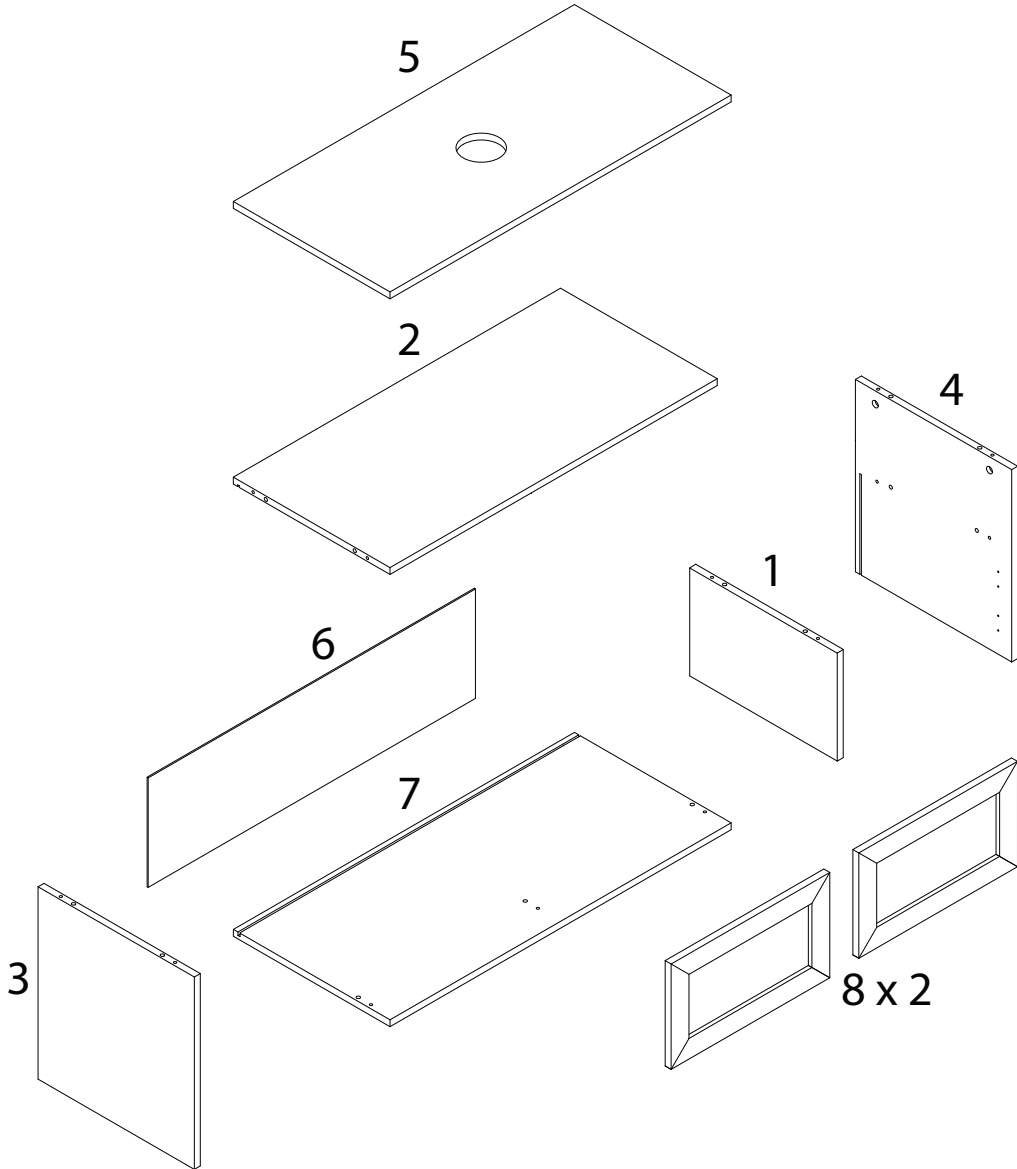
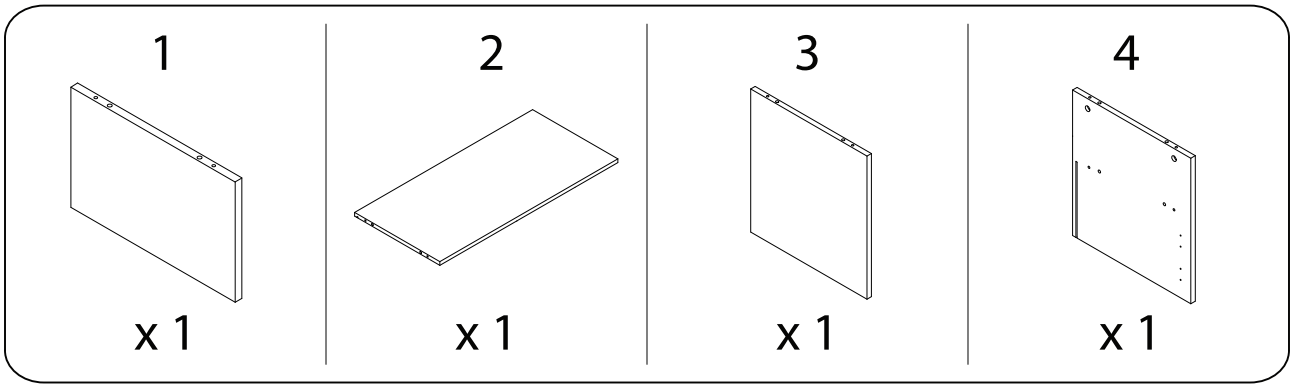
Assembly instructions for the cabinet, including tool requirements, time, and personnel.

**Tools:** A circular icon shows a screwdriver and a power drill. A warning triangle is positioned to the right of these icons.

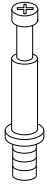
**Time:** A circular clock icon with a curved arrow indicates a duration of 30 minutes.

**Personnel:** A stick figure icon is shown above the number 2, indicating that two people are required for assembly.

**Warning:** A second warning triangle is located below the first one, pointing to a diagram of a shelf being placed on a surface with a diagonal line through it, indicating a specific placement or weight restriction.

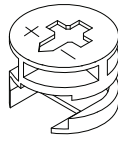


A



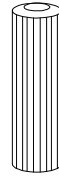
x 10

B



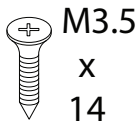
x 10

C



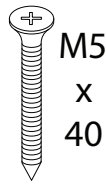
x 16

D



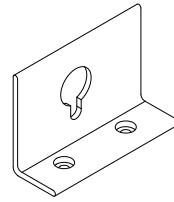
x 20

E



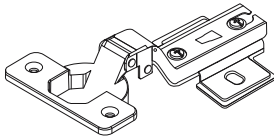
x 6

F



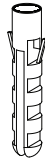
x 4

G



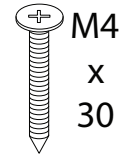
x 4

H1



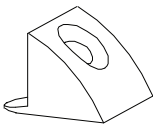
x 4

H2



x 4

I1



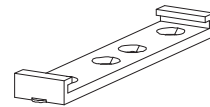
x 6

I2



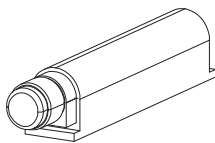
x 6

J1



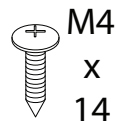
x 2

J2



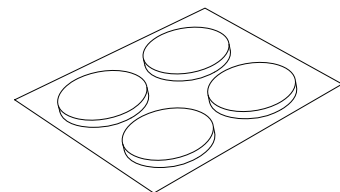
x 2

K



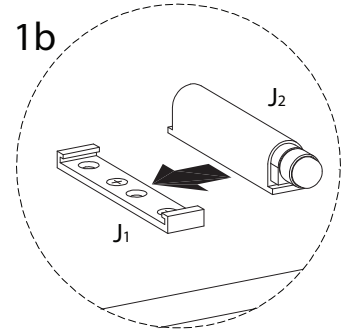
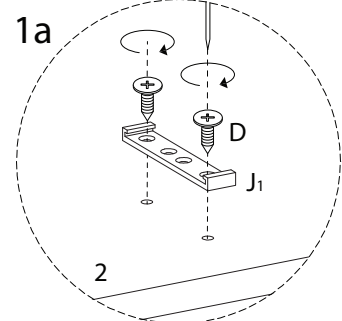
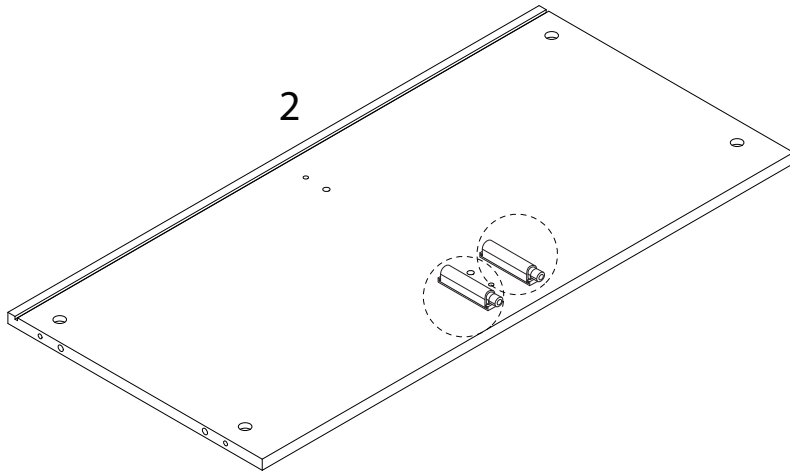
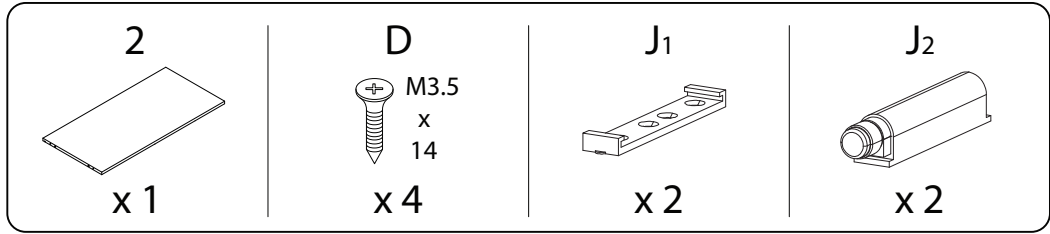
x 8

L

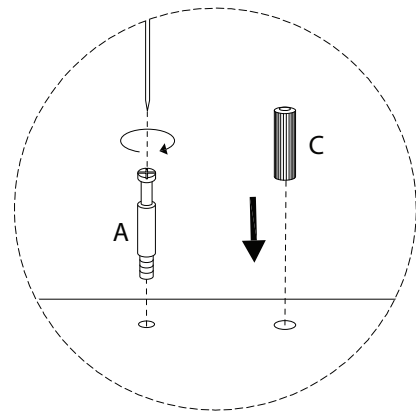
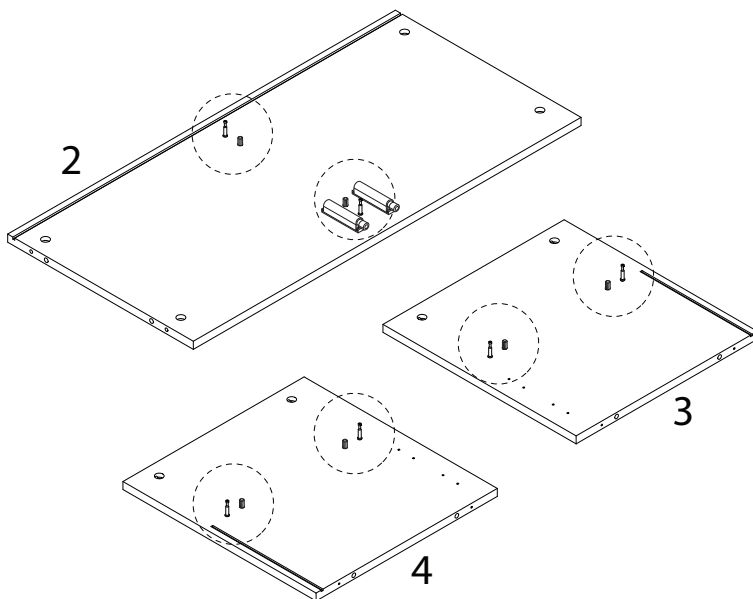
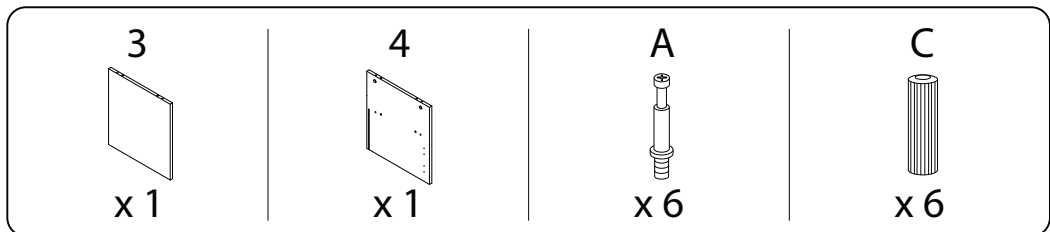


x 1

1



2

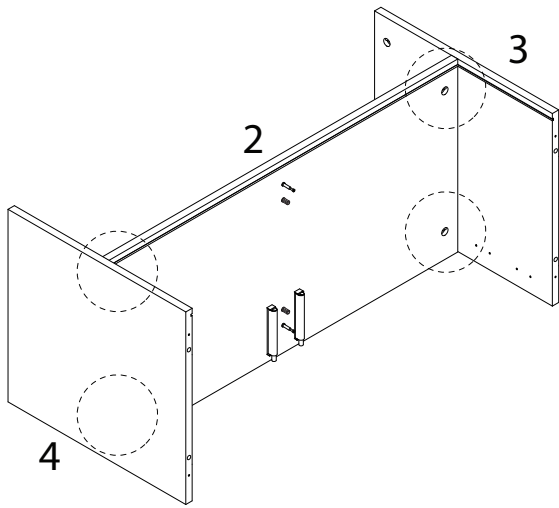


3

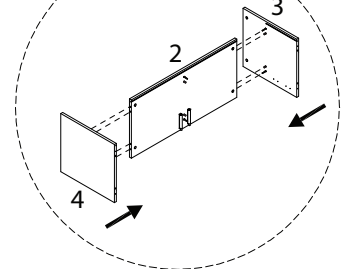
B



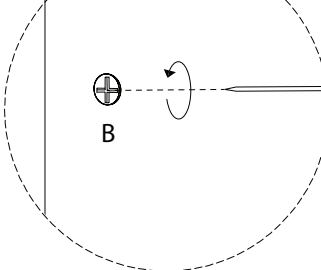
x 4



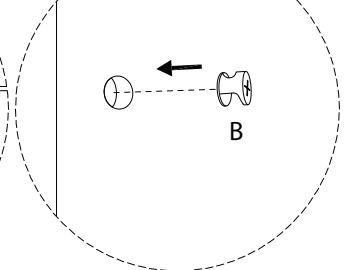
1a



1c

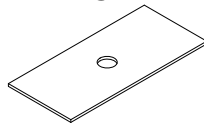


1b



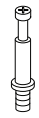
4

5



x 1

A

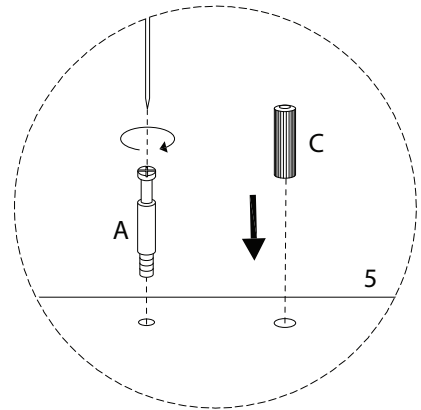
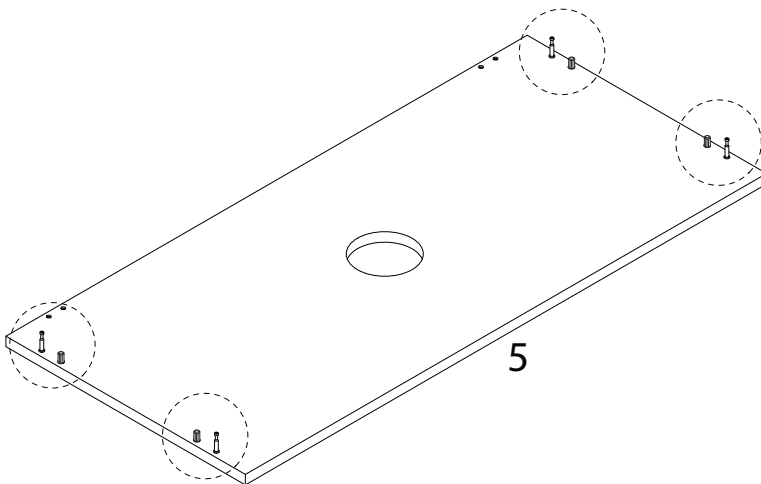


x 4

C

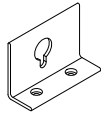


x 4



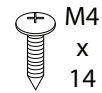
5

F

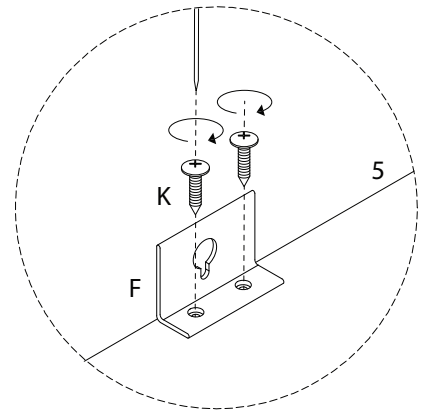
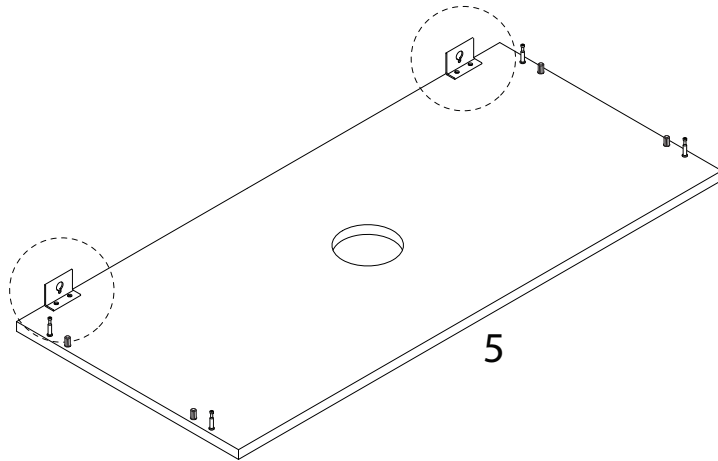


x 2

K



x 4

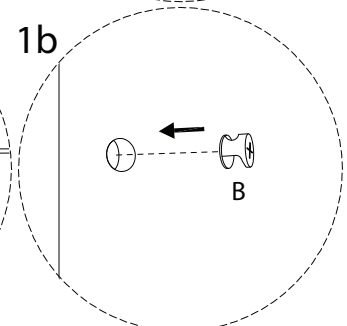
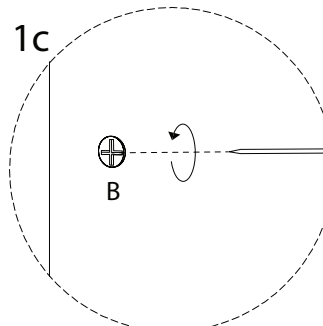
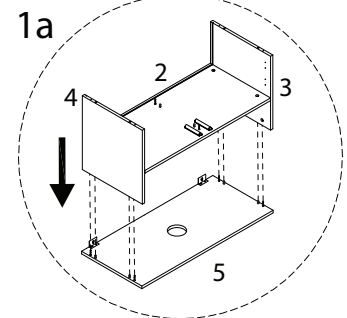
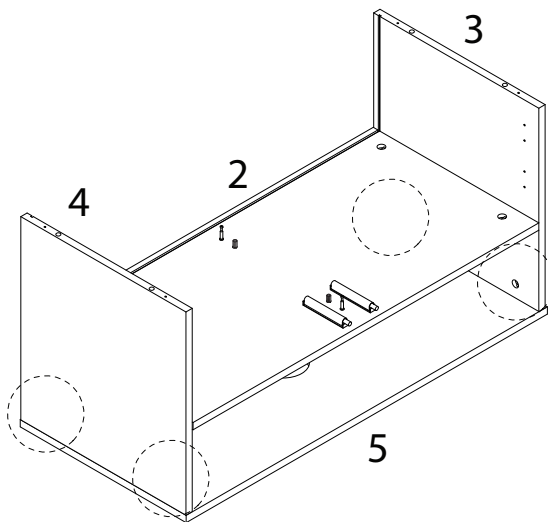


6

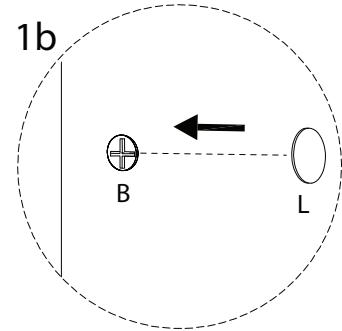
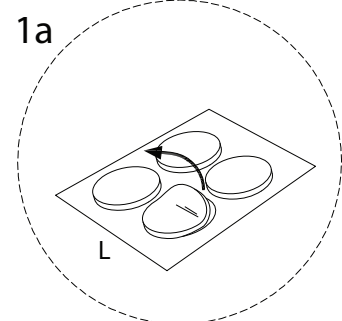
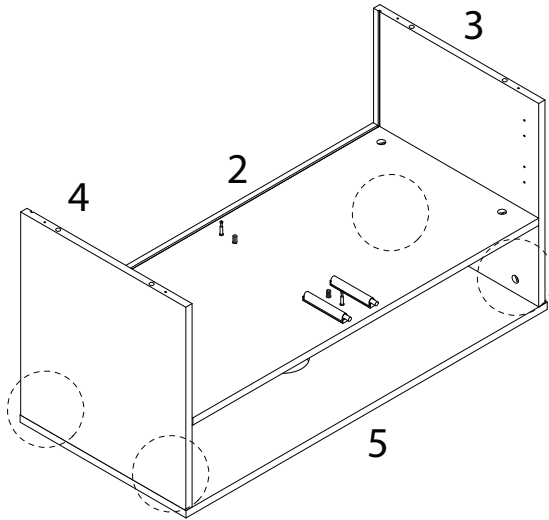
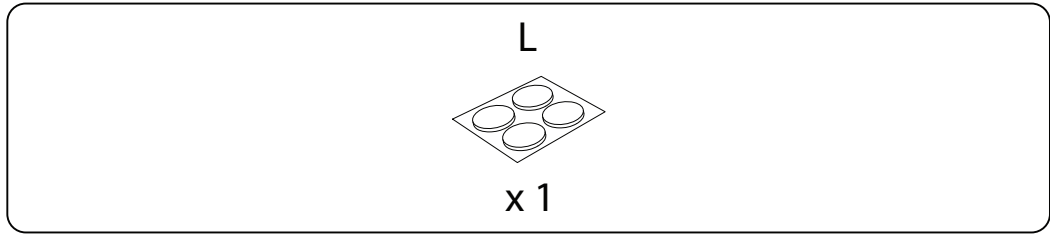
B



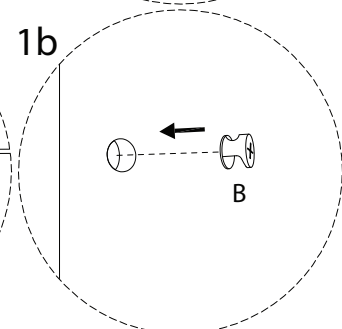
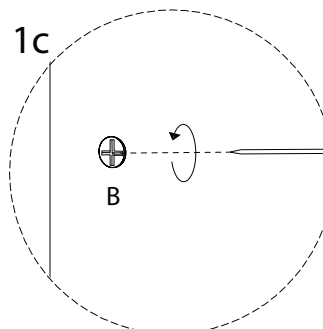
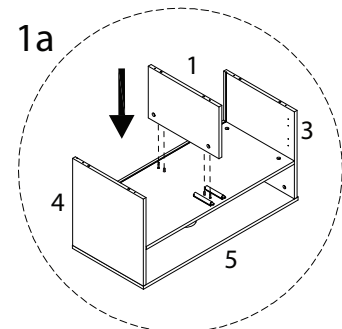
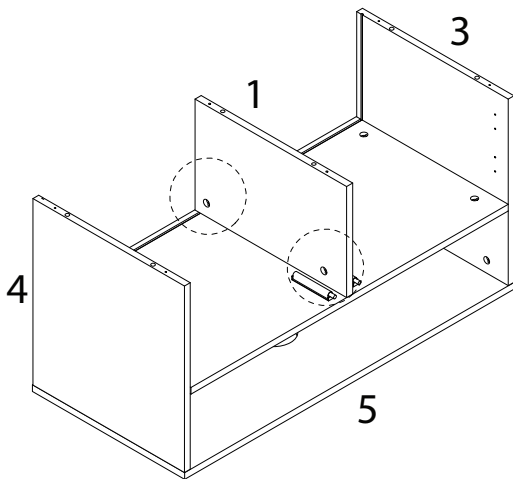
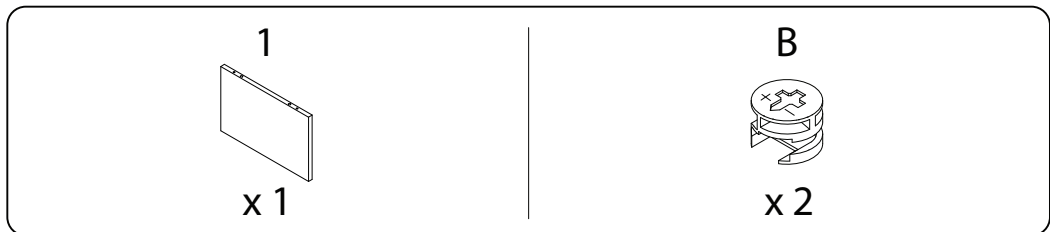
x 4



7

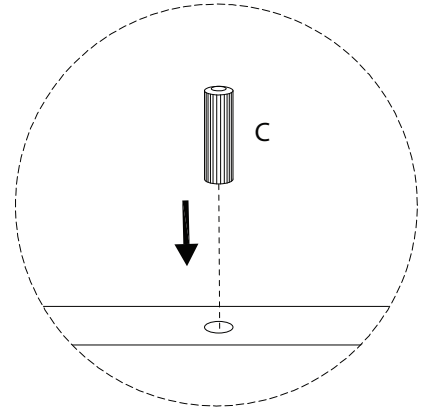
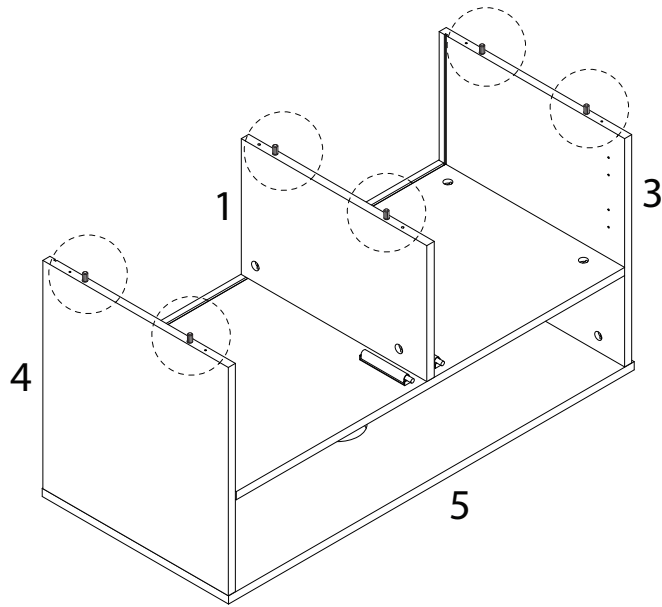
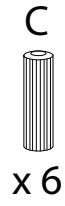


8

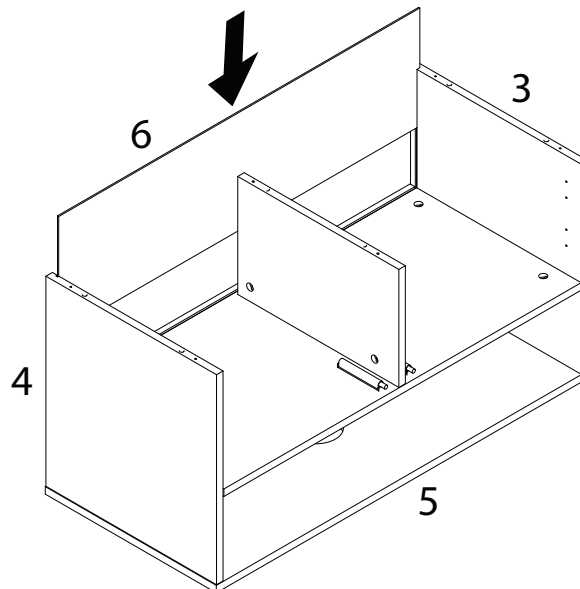
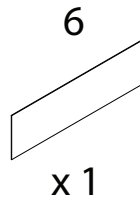




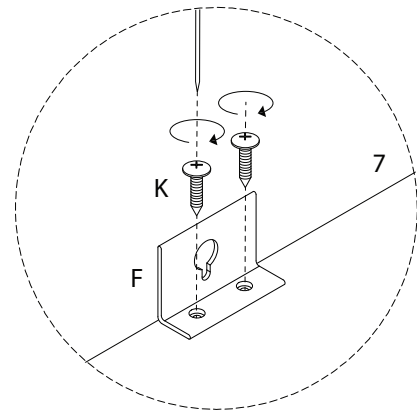
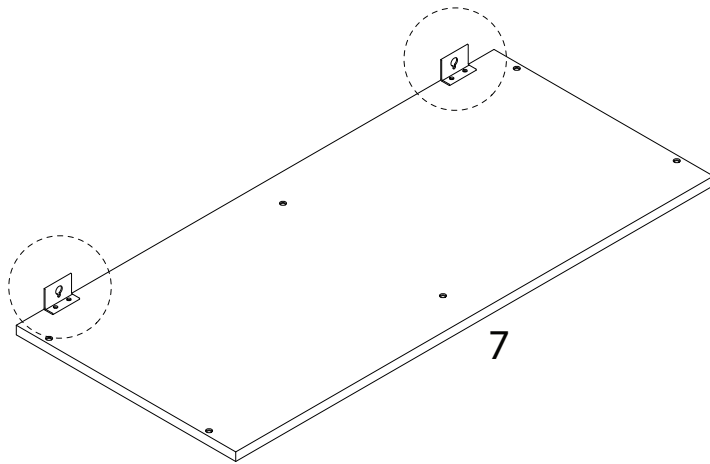
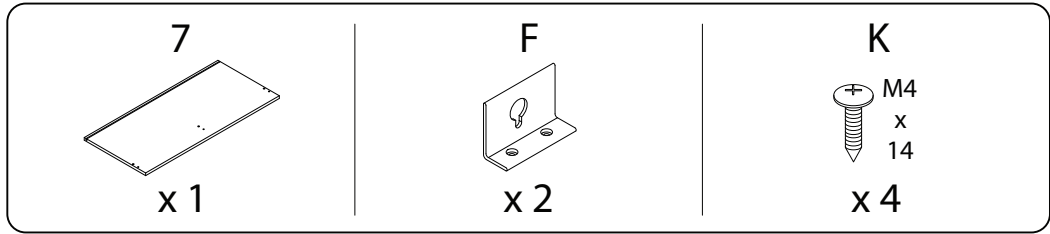
9



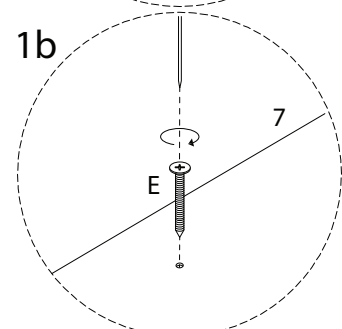
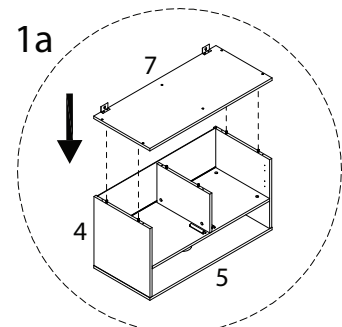
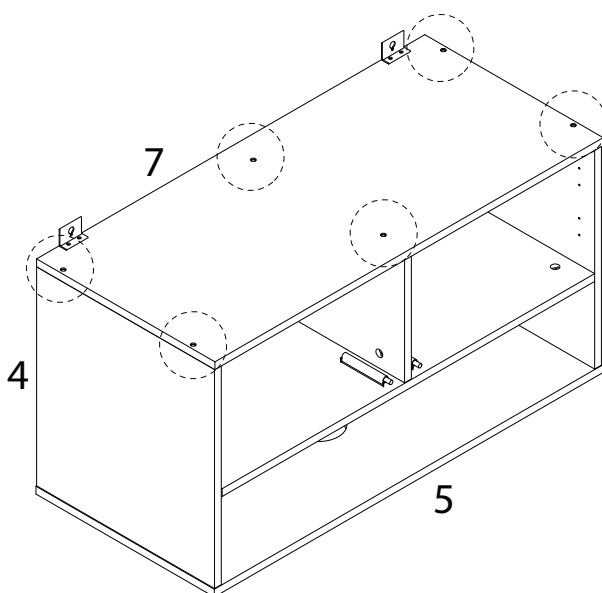
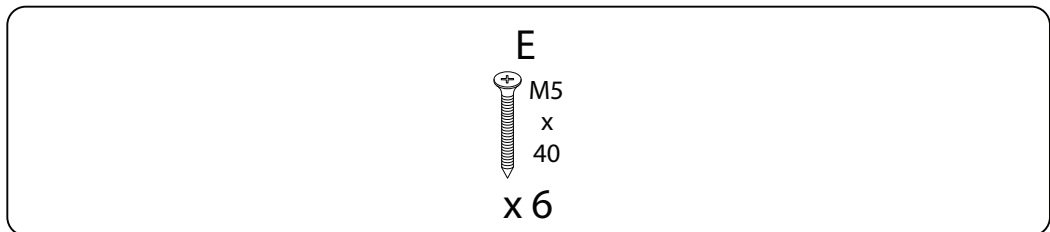
10



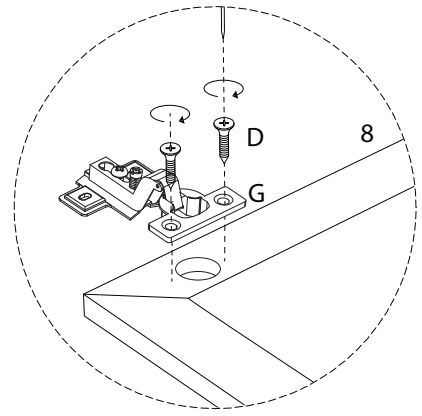
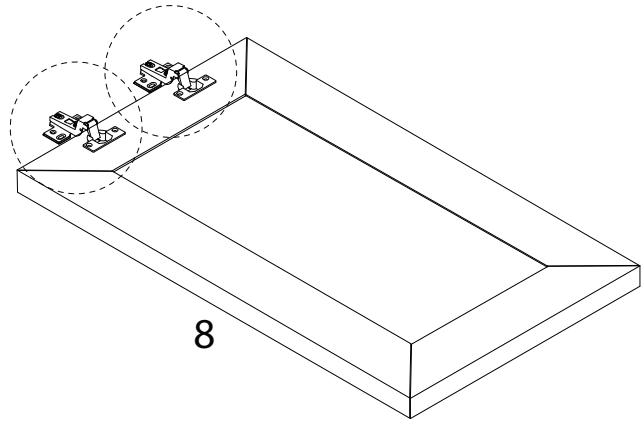
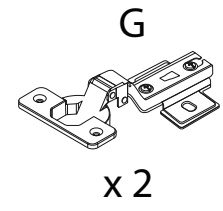
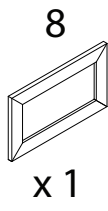
11



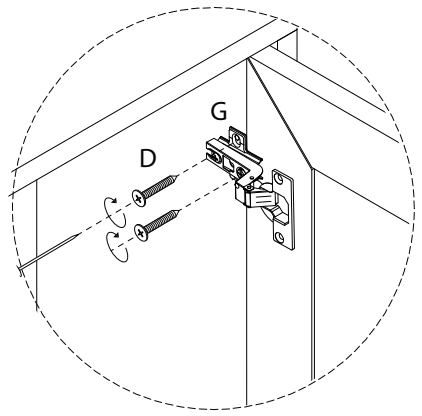
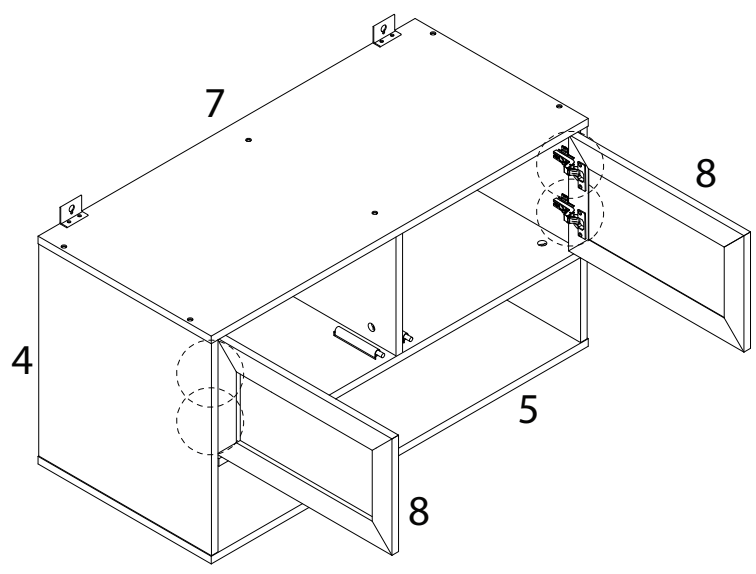
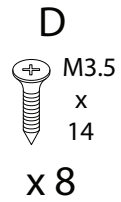
12



13 x 2



14



15

l<sub>1</sub>

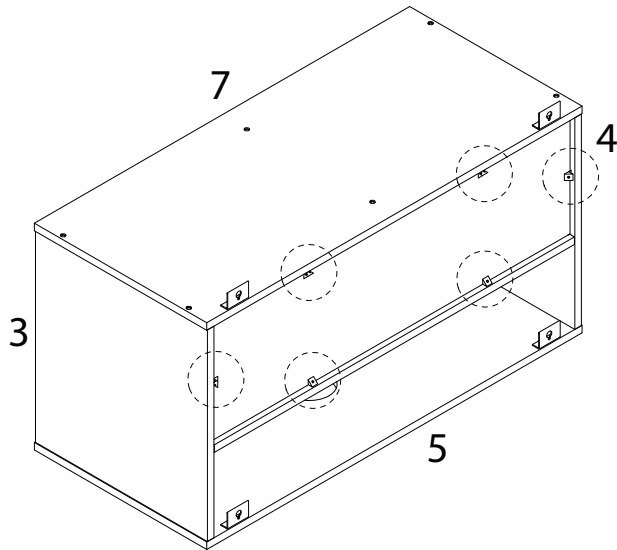


x 6

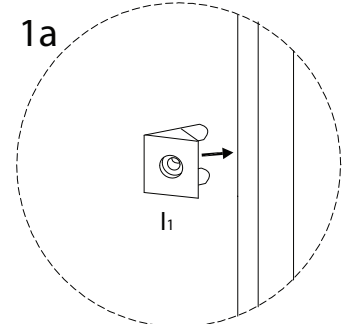
l<sub>2</sub>



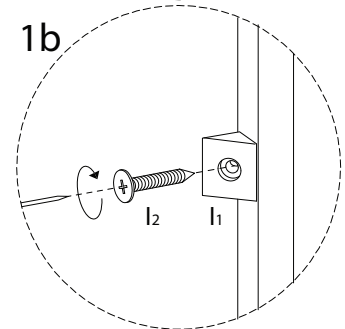
x 6



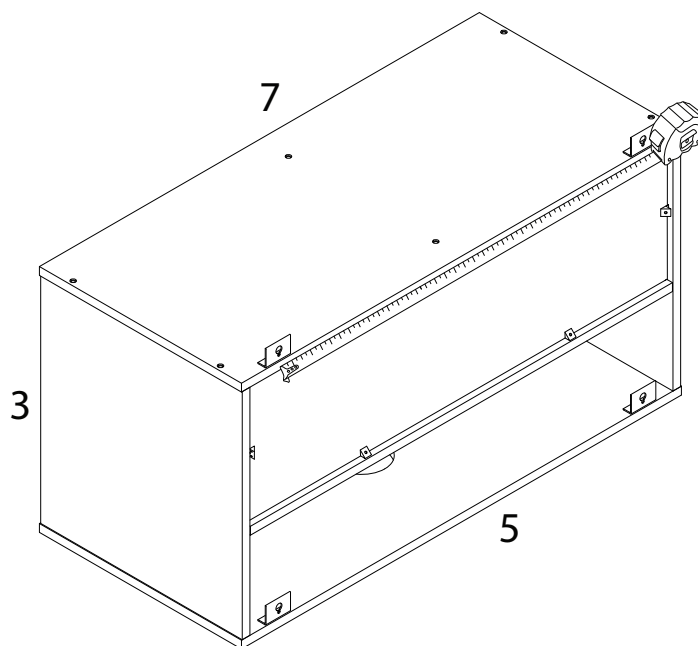
1a



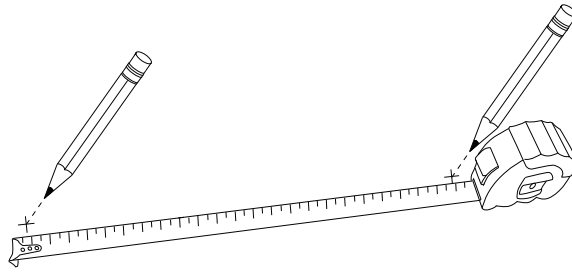
1b



16

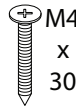


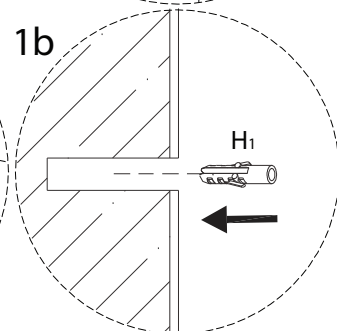
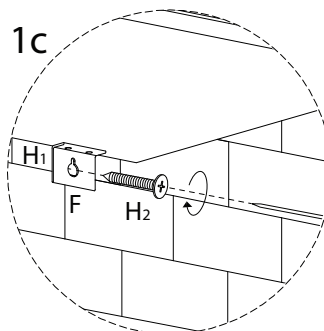
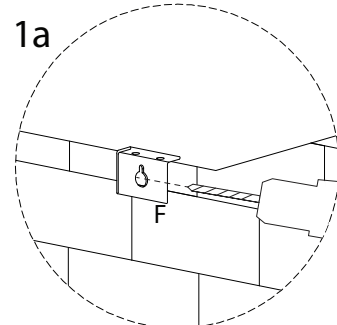
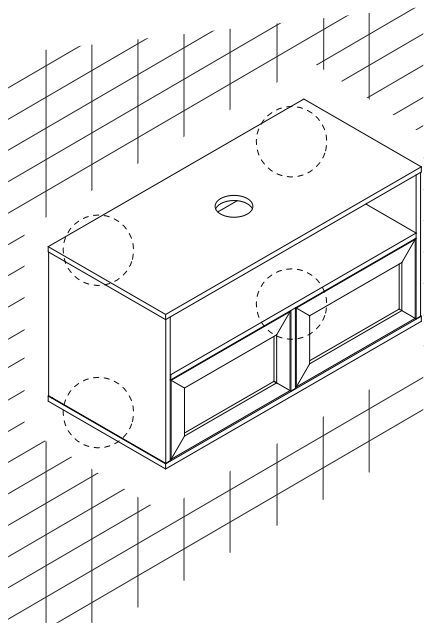
17



18

H<sub>1</sub>  
  
x 4

H<sub>2</sub>  
  
M4  
x  
30  
x 4



!

